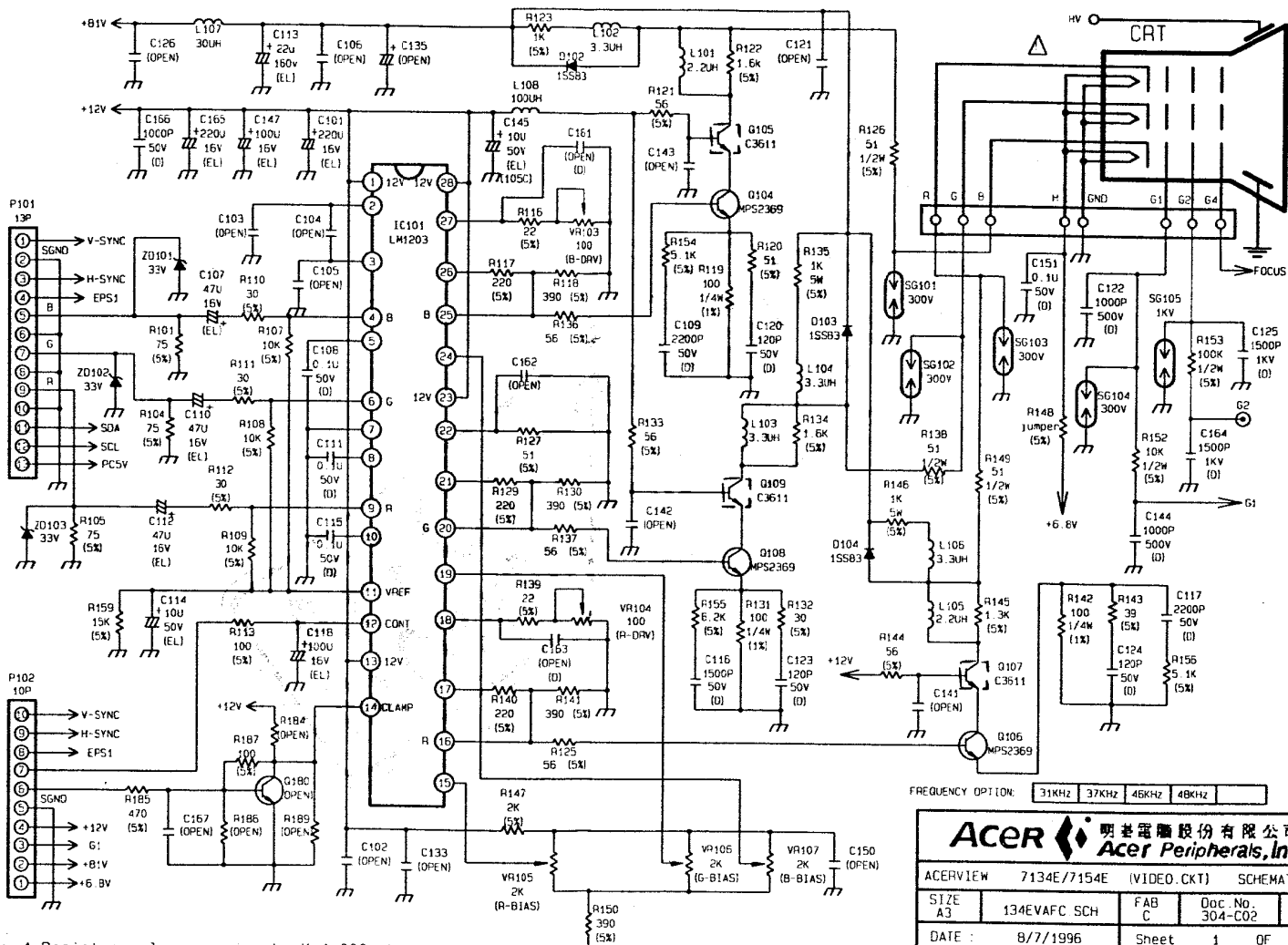


△ : The components identified by the mark of △ in the schematic are important X-Radiation and Safety Parts. Should replacement is required, replace only with the same type and rating or originally used. CRT, T302(FB1), R226, R231, R230, IC201, C314, C315, T601

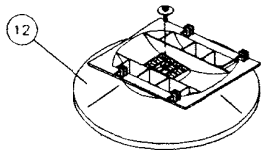
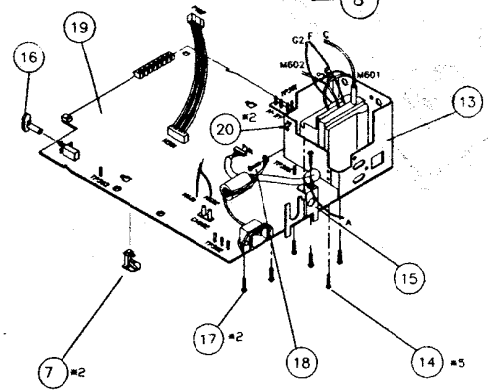
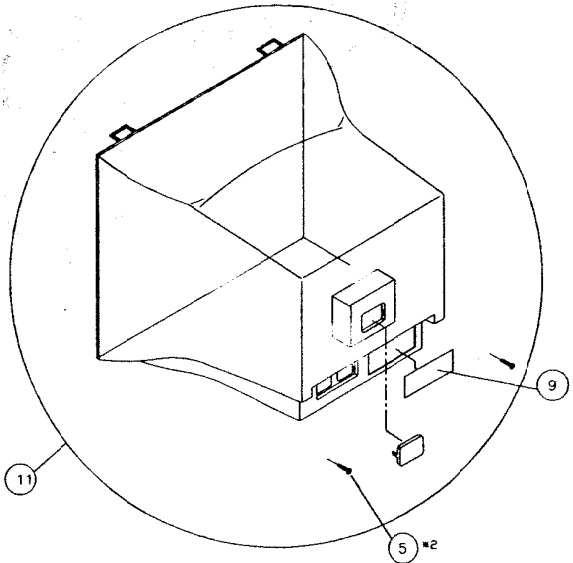
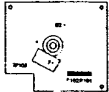
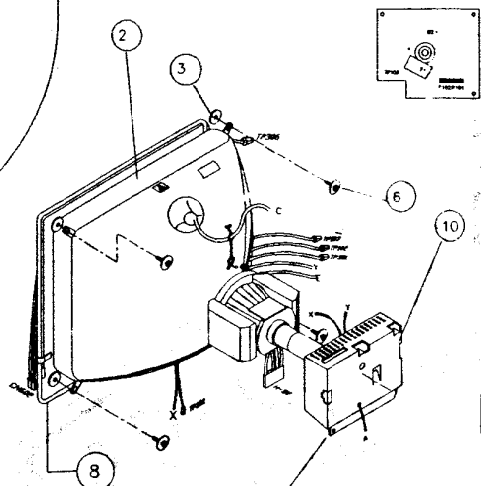
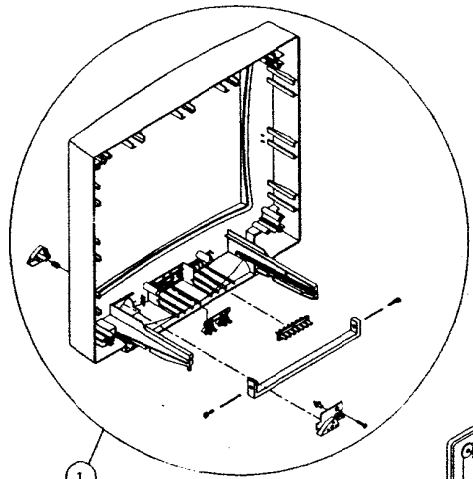


FREQUENCY OPTION: 31KHz 37KHz 46KHz 48KHz

Acer 明基電腦股份有限公司
Acer Peripherals, Inc.

ACERVIEW	7134E/7154E	(VIDEO. CKT)	SCHEMATICS	
SIZE	A3	134EVAFC SCH	FAB	C
DATE	8/7/1996	Sheet	1	OF 2
Project Code.	91.77902.001			
Prepared By	Reviewed By	Approved By		

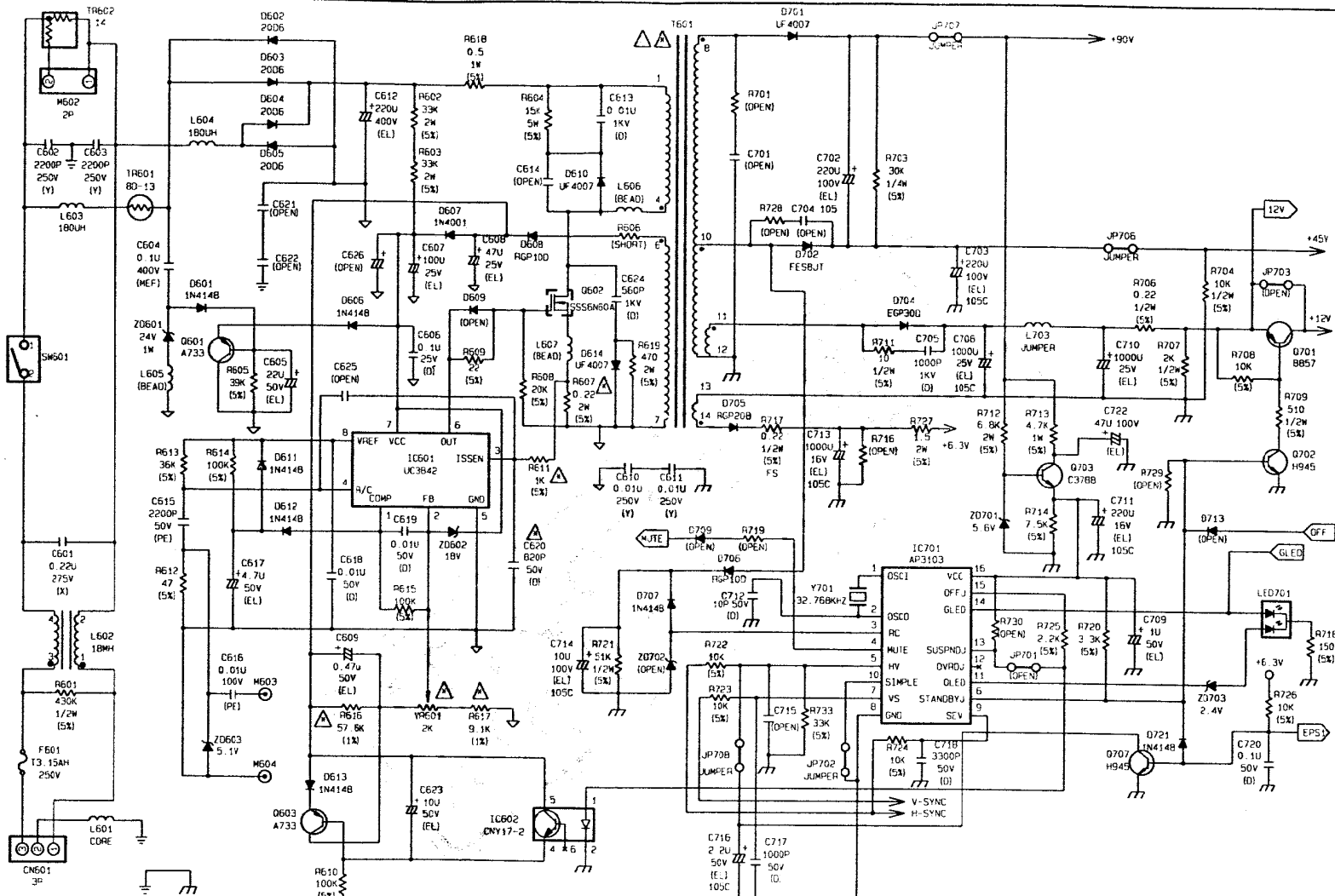
NOTES: 1. Resistor values are in ohm, K=1,000 ohm, M=1,000,000 ohm
 2. All resistors are 1/8 watt except where otherwise indicated
 3. ⏏ ≡ Represents PCB common ground.



ITEM NO.	PART NO.	DESCRIPTION	QTY
1	8678502	ASSY BKT.	1
2	3480785	CHT 15"	1
3	4277801	SPACER CRT	2
4	2578502	PCB BR CRT	1
5	8678502	SCREW TAP #4-40L	2
6	8680018	SCREW TAP WASHER #4-40L	0
7	4277801	SPACER	1
8	2578502	PCB BR CRT	1
9	4878460	LABEL SPEC	1
10	3475401	SHIELDING CRT BR	1
11	6078800	ASSY UPPER CASE	1
12	6077801	POST'S BASE	1
13	3478000	SCAT 15M 151	1
14	8678502	SCREW TAP #4-40L	2
15	8077801	ASSY REAR BRKT	1
16	4278800	LDR PWR 1.5V	1
17	8678502	SCREW TAP #4-40L	1
18	8680018	SCREW TAP #4-40L	1
19	5578501	PCB PCB	1
20	4278501	CLIP CABLE TAB-B	2

REV	DESCRIPTION	SIGN	DATE

PARTS ON ORDER	7154e	NAME	ASS'Y DRAWING
SCALE	1/8" = 1"	DATE	11/2/80
DRN	LAJ/LAJ	BY	LAJ
DSN	CJ/LAJ	CHKD	CJ/LAJ
APPD		DATE	11/2/80
ISSUED Acar Peripherals, Inc.			
DRAWING NO. 57.78502.001			



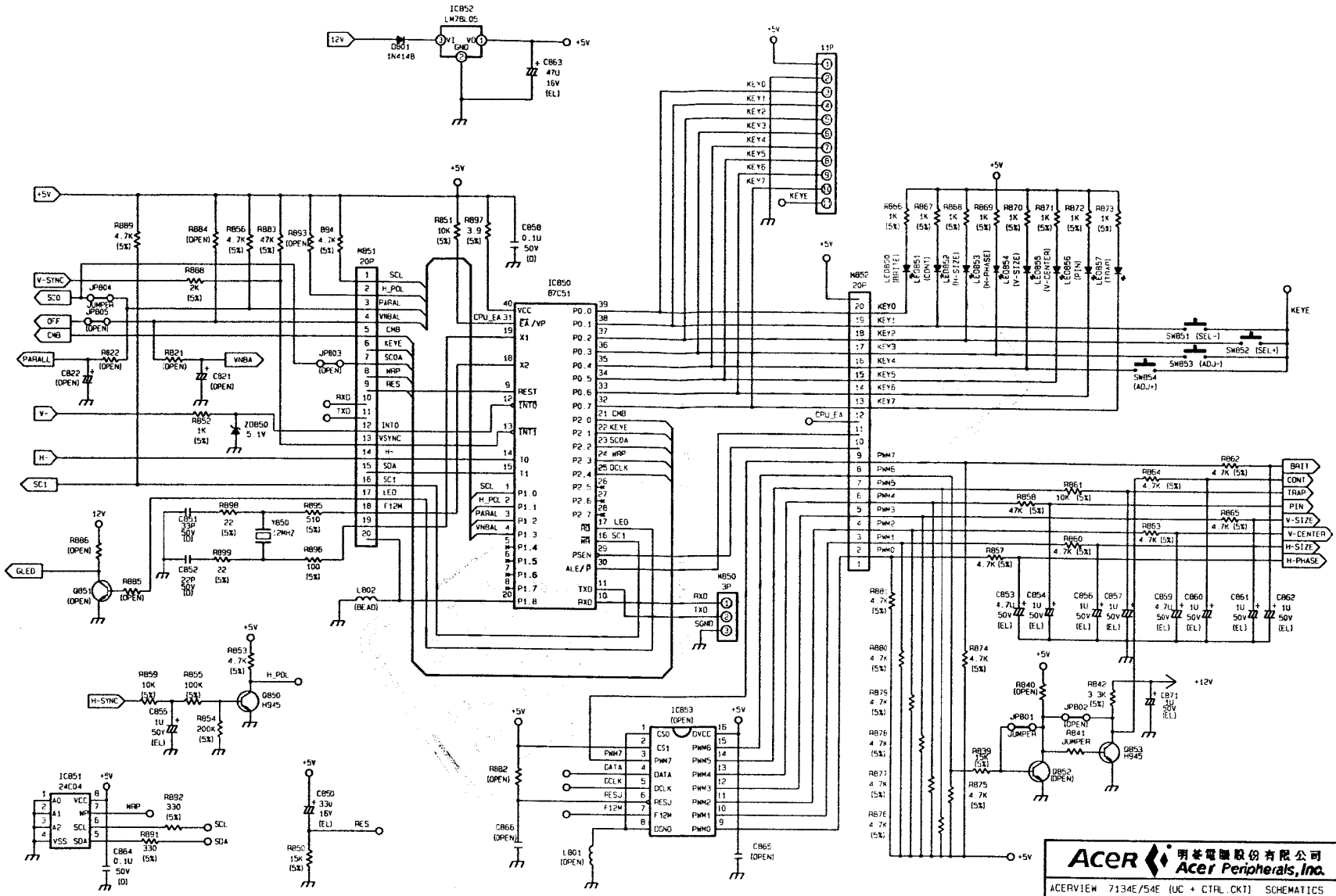
△ : The components identified by the mark △ in the schematic are important X-Radiation and Safety Parts. Should replacement is required, replace only with the same type and rating originally used. CRT, T302 (F8T), R226, R231, R230, T201, C314, C315, T601

△ : The components identified by the mark △ in the schematic are important safety parts. If replacement is required, refer to service manual to re-adjust and/or re-checked the B+ and High Voltage to reach the specified value. T601, V601, R617, R616, R607, R611, C620, T302 (F8T), R220, R216, C205

- NOTES: 1. Resistor values are in ohm, K=1,000 ohm, M=1,000,000 ohm
 2. All resistors are 1/8 watt except where otherwise indicated
 3. \uparrow \downarrow \pm Represents PCB common ground.

Acer 明碁電腦股份有限公司
Acer Peripherals, Inc.

ACERVIEW	7154E	(SPS, CKT)	SCHEMATICS	
SIZE	A3	154EMAFC.SCH	FAB	Doc No
			C	304-C01
DATE :	8/6/1996		Sheet	4 OF 5
Project Code.	91.7B502.001			
Prepared By		Reviewed By		Approved By

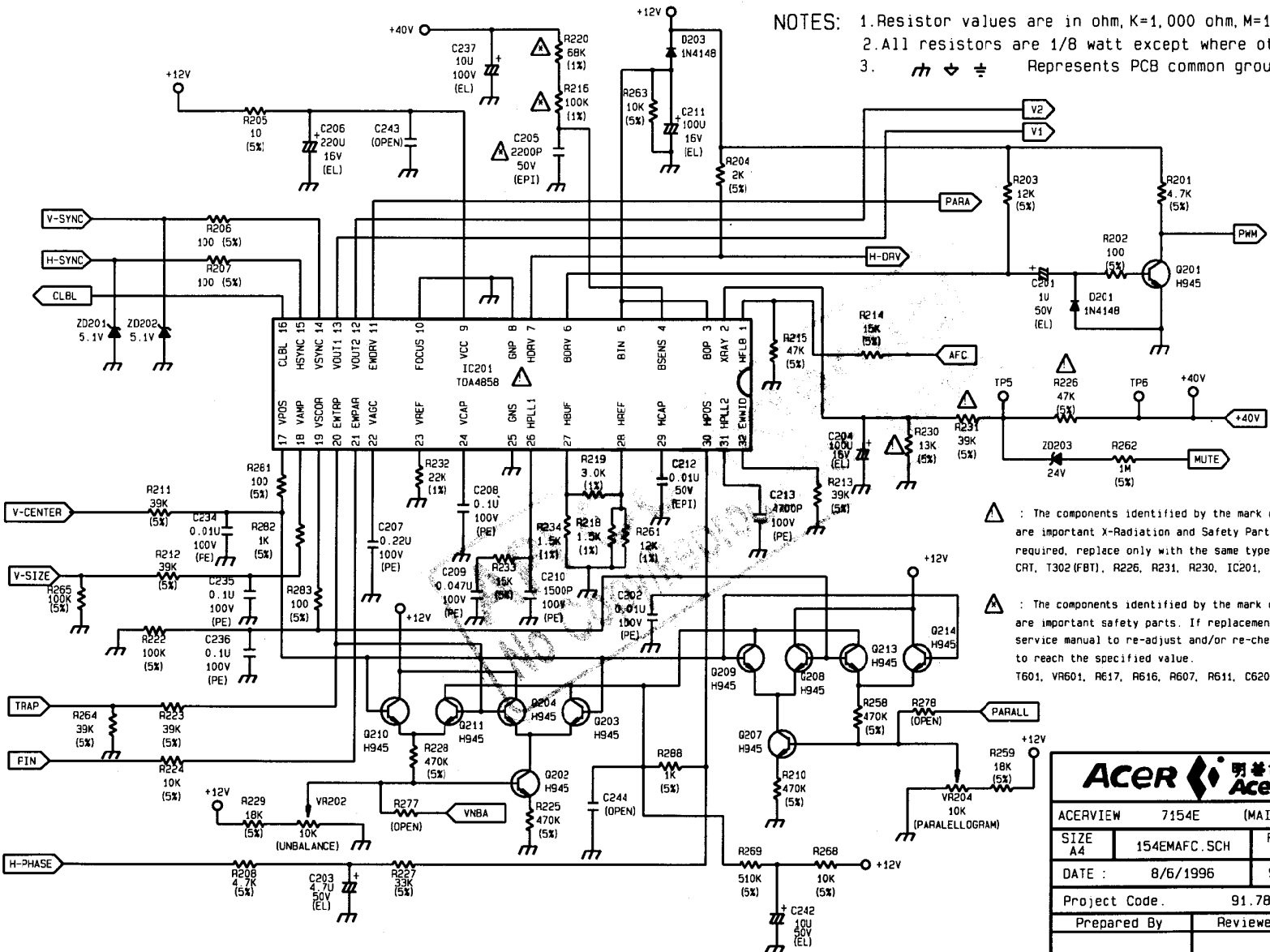


NOTES: 1. Resistor values are in ohm, K=1,000 ohm, M=1,000,000 ohm
 2. All resistors are 1/8 watt except where otherwise indicated
 3. \perp ∇ \equiv Represents PCB common ground.

ACER 明基電腦股份有限公司
Acer Peripherals, Inc.

ACERVIEW 7134E/54E (UC + CTRL. CKT) SCHEMATICS			
SIZE	A3	154E/MAFC. SCH	FAB C
Doc No.	304-C01	Doc No.	304-C01
REV.	1	REV.	1
DATE	8/6/1996		Sheet 5 OF 5
Project Code	91.78502.001		
Prepared By	Reviewed By	Approved By	

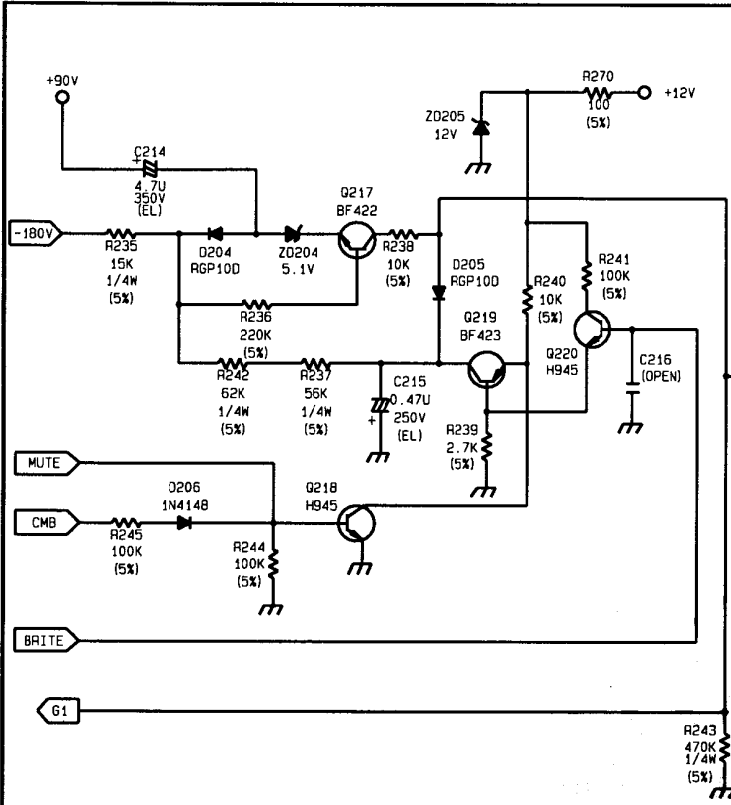
NOTES: 1. Resistor values are in ohm, K=1,000 ohm, M=1,000,000 ohm
 2. All resistors are 1/8 watt except where otherwise indicated
 3. \triangle ∇ ∇ Represents PCB common ground.



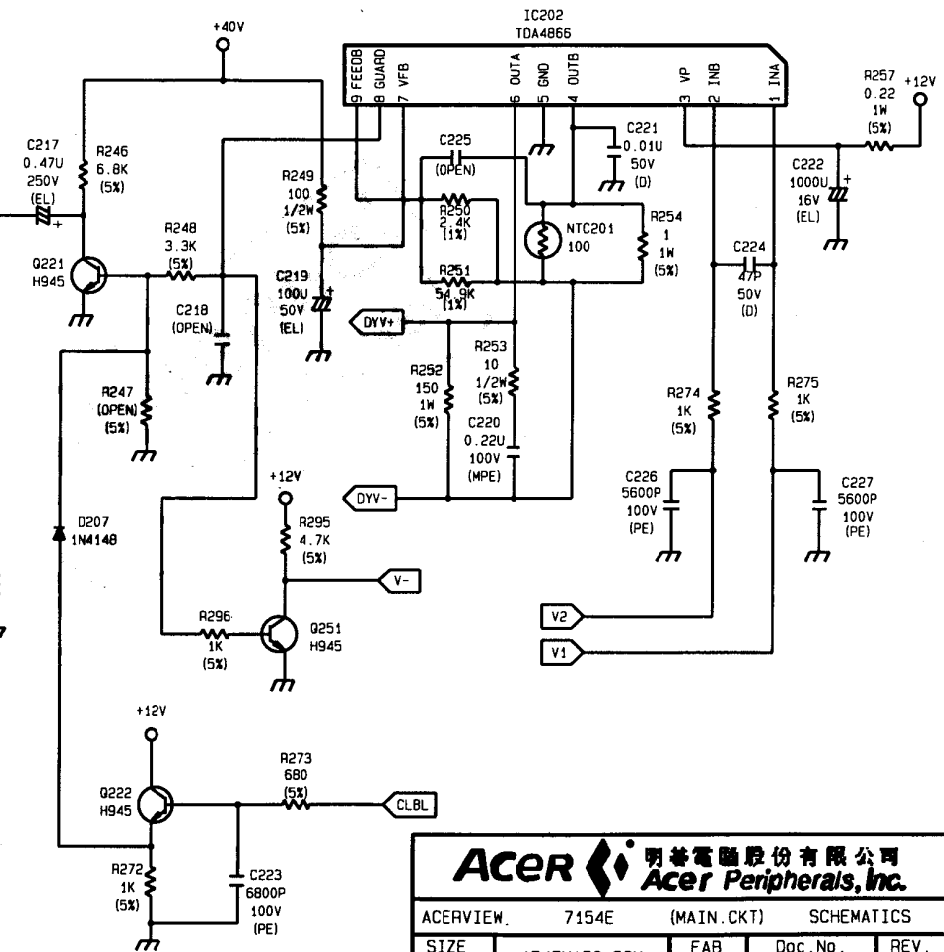
\triangle : The components identified by the mark of \triangle in the schematic are important X-Radiation and Safety Parts. Should replacement is required, replace only with the same type and rating originally used. CRT, T302 (FBT), R226, R231, R230, IC201, C314, C315, T601.

∇ : The components identified by the mark of ∇ in the schematic are important safety parts. If replacement is required, refer to service manual to re-adjust and/or re-checked the B+ and High Voltage to reach the specified value. T601, VR601, R617, R616, R607, R611, C620, T302 (FBT), R220, R216, C205

ACER 明基電腦股份有限公司 Acer Peripherals, Inc.			
ACERVIEW 7154E (MAIN.CKT)		SCHEMATICS	
SIZE A4	154EMAF.C.SCH	FAB C	Doc. No. 304-C01
DATE : 8/6/1996	Sheet 1	OF 5	REV. 1
Project Code. 91.78502.001			
Prepared By	Reviewed By	Approved By	



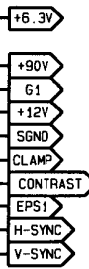
NOTES: 1. Resistor values are in ohm, K=1,000 ohm, M=1,000,000 ohm
 2. All resistors are 1/8 watt except where otherwise indicated
 3. m ∇ \oplus Represents PCB common ground.



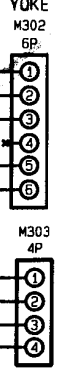
MAIN BOARD



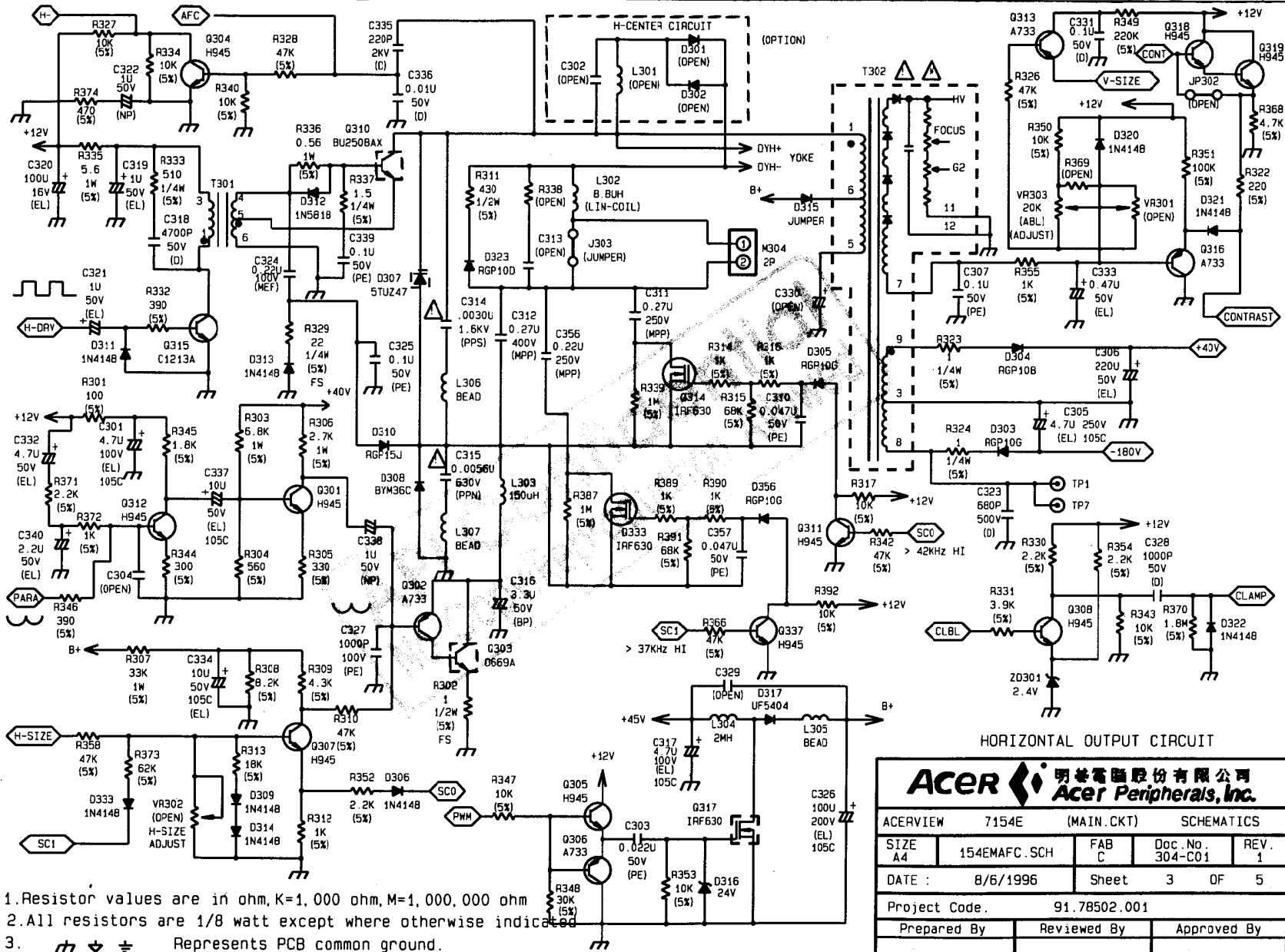
VIDEO BOARD



MAIN BOARD



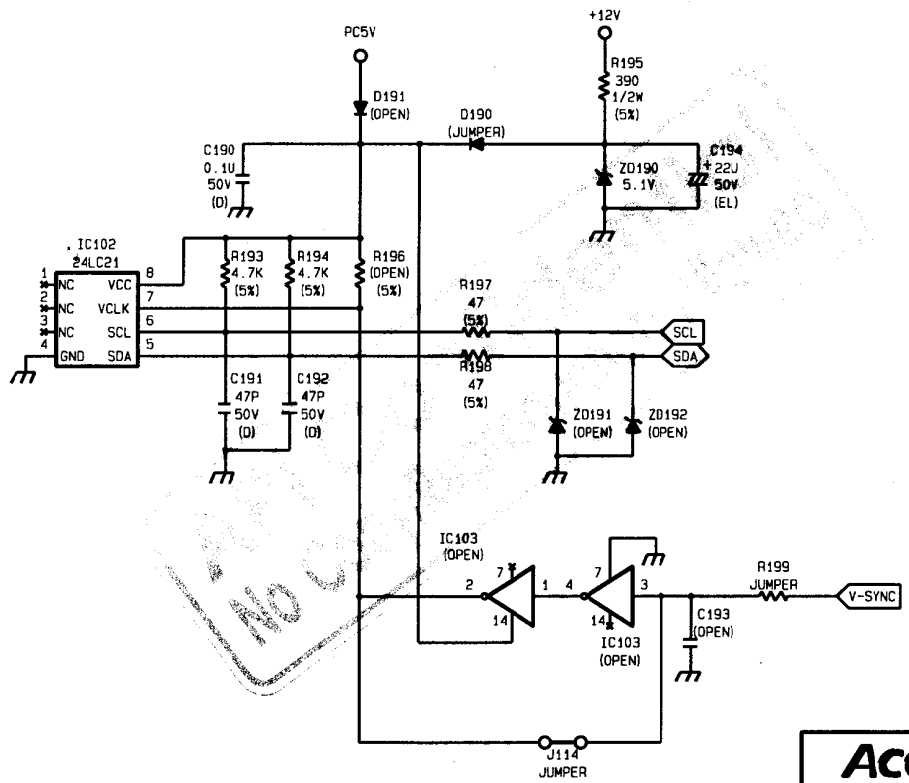
明基電腦股份有限公司 Acer Peripherals, Inc.				
ACERVIEW		7154E	(MAIN.CKT)	SCHEMATICS
SIZE	A4	154EMAFC.SCH	FAB	C
			Doc. No.	304-C01
			REV.	1
DATE :	8/6/1996	Sheet	2	OF 5
Project Code.		91.78502.001		
Prepared By		Reviewed By		Approved By



NOTES: 1. Resistor values are in ohm, K=1,000 ohm, M=1,000,000 ohm
 2. All resistors are 1/8 watt except where otherwise indicated
 3. $\text{---} \text{---} \text{---}$ Represents PCB common ground.

HORIZONTAL OUTPUT CIRCUIT

ACER 明基電腦股份有限公司 Acer Peripherals, Inc.				
ACERVIEW	7154E	(MAIN. CKT)	SCHEMATICS	
SIZE	A4	154EAMFC. SCH	FAB	Doc. No.
			C	304-C01
DATE :	8/6/1996	Sheet	3	OF 5
Project Code.		91.78502.001		
Prepared By	Reviewed By	Approved By		



- NOTES:
1. Resistor values are in ohm, K=1,000 ohm, M=1,000,000 ohm
 2. All resistors are 1/8 watt except where otherwise indicated
 3. ⏏ → ⏏ Represents PCB common ground.

明碁電腦股份有限公司 Acer Peripherals, Inc.				
ACERVIEW	7134/7154E	(DDC.CKT)	SCHEMATICS	
SIZE A4	134EVAFC.SCH	FAB C	Doc. No. 304-C02	REV. 0
DATE :	8/6/1996	Sheet	2	OF 2
Project Code.		91.77902.001		
Prepared By	Reviewed By	Approved By		