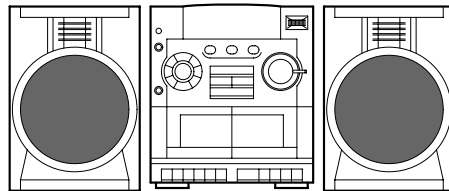




CA-DW235 U

CA-DW245 LH,HA,K,HR



SERVICE MANUAL

CD CARRY COMPONENT SYSTEM

BASIC TAPE MECHANISM : TN-21ZSW-1694
BASIC CD MECHANISM : KSM-213CDM

This Service Manual is "Supplement" CA-DW235,CA-DW245.

If requiring the other information, see Service Manual of the CA-DW235 U,CA-DW245 LH,HA,K,HR
(S/M Code No. 09-995-410-3R1 U,LH,HA,K),(S/M Code No. 09-998-410-3R2 HR).

aiwa
S/M Code No. 09-002-410-3S1

SUPPLEMENT
DATA

MECHANICAL PARTS LIST 1/1

DESCRIPTIONで判断できない物は "REFERENCE NAME LIST" を参照してください。
If can't understand for Description please kindly refer to "REFERENCE NAME LIST".

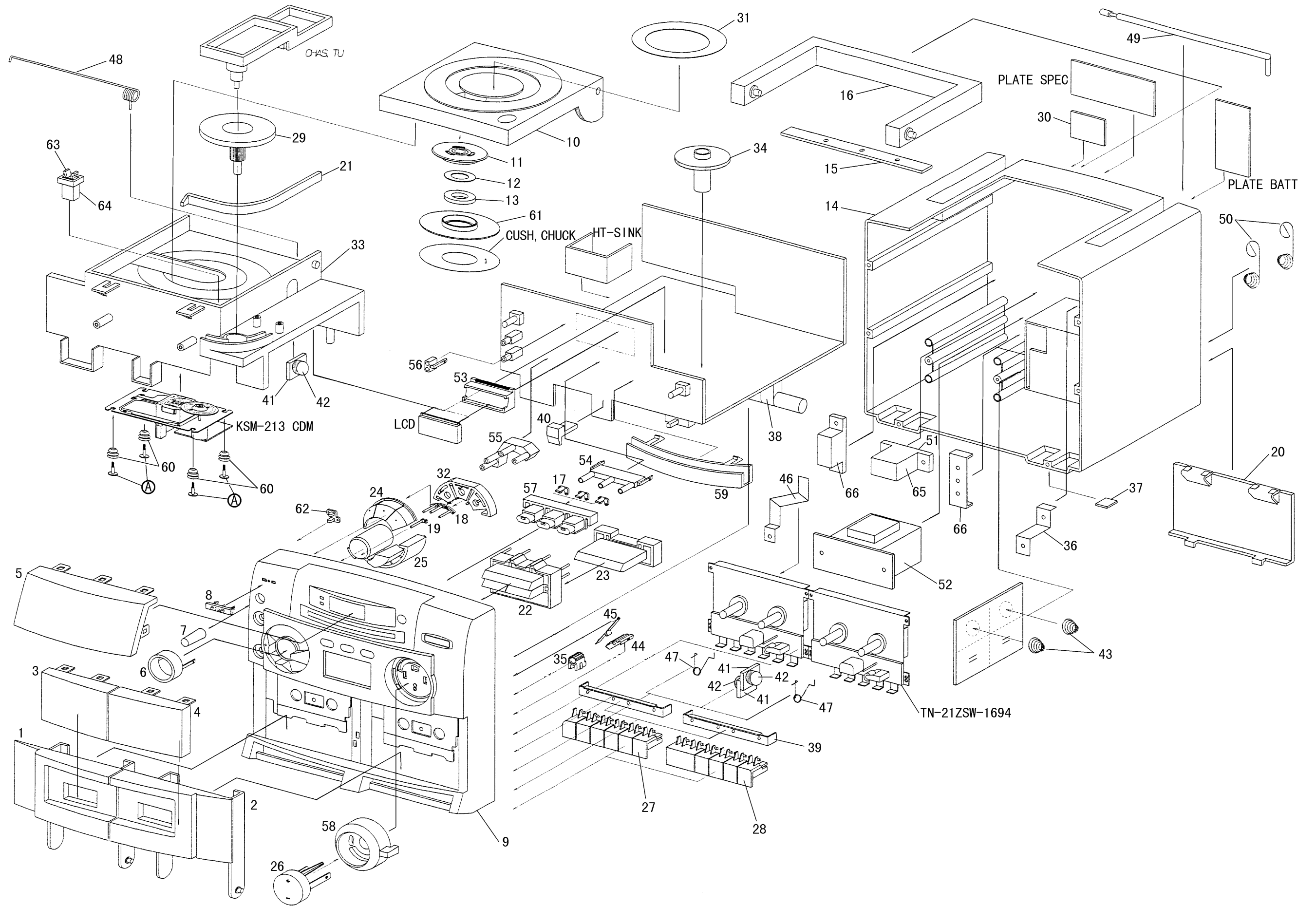
REF. NO	PART NO.	KANRI NO.	DESCRIPTION	REF. NO	PART NO.	KANRI NO.	DESCRIPTION
1	8Z-CT9-003-010		BOX,CASS (L)	38	88-CD6-661-010		HLDR,BAR ANT.
2	8Z-CT9-004-010		BOX,CASS (R)	39	86-CT9-208-010		HLDR,KEY CASS
3	8Z-CT9-005-010		WINDOW,CASS (L)	40	86-CT9-205-110		HLDR,REC
4	8Z-CT9-006-010		WINDOW,CASS (R)	41	86-CT9-220-110		OIL-DMPR, BRACKET
5	8Z-CT9-002-010		WINDOW,DISPLAY<235U>	42	86-CT9-219-110		OIL-DMPR,GEAR
5	8Z-CT9-028-010		WINDOW,DISPLAY HR<245HR>	43	86-CT9-213-010		SPR-C,BATT(-)
6	8Z-CT9-025-010		RING,GEQ	44	8Z-CT9-212-010		SPR-P,BAND(2B)<245LH,235U,245HA>
7	8Z-CT9-015-010		KNOB,RTRY MIC	44	8Z-CT9-211-010		SPR-P,BAND(3B)<245HR,245K>
8	86-CT9-039-010		BADGE,AIWA 30N	45	8Z-CT9-210-010		SPR-P,PLT
9	8Z-CT9-045-010		CABI,FR LH<245LH,245HA>	46	87-CT7-207-010		SPR-P,REC
9	8Z-CT9-001-010		CABI,FRONT<235U>	47	86-CT9-210-010		SPR-T,CASS
9	8Z-CT9-031-010		CABI,FRONT HR<245HR>	48	86-CT9-211-010		SPR-T,CD
10	8Z-CT9-007-010		BOX,CD	49	88-CT6-633-010		ANT,ROD
11	86-CD4-225-010		CHUCK(A)	50	86-CT9-212-010		SPR-C,BATT LINK
12	86-CT9-222-010		PLATE,MAGNET	△	51	87-A60-178-010	JACK,AC E W/SW<EXCEPT 235U>
13	87-036-368-010		MAGNET	△	51	87-A60-177-010	JACK,AC U W/SW<235U>
14	8Z-CT9-044-010		CABI,REAR	52	88-CT6-631-010		POWER TRANS,EI-57/25 <EXCEPT 235U,245K>
15	88-CT6-022-010		COVER, HNDL	△	52	88-CT6-630-010	PT,EZ/K<245K>
16	86-CT6-036-010		HANDL,RF	△	52	88-CT7-629-010	PT,U<235U>
17	8Z-CT9-021-010		LENS,FUNC	△	53	8Z-CT9-202-010	HLDR,LCD
18	8Z-CT9-023-010		LENS,GEQ				
19	8Z-CT9-024-010		LENS,Q-SOUND	54	8Z-CT9-203-010		HLDR,LED A
20	86-CT6-035-010		LID,BATT RF	55	8Z-CT9-204-010		HLDR,LED B
21	8Z-CT9-017-010		POINTER,TUN	56	8Z-CT9-205-010		HLDR,LED C
22	8Z-CT9-013-010		BTN,CD A	57	8Z-CT9-016-010		BTN,FUNCTION
23	8Z-CT9-014-010		BTN,CD B	58	8Z-CT9-026-010		KNOB,RTRY BAND(2B) <245LH,235U,245HA>
24	8Z-CT9-020-010		BTN,GEQ				
25	8Z-CT9-019-010		BTN,Q-SOUND	58	8Z-CT9-012-010		KNOB,RTRY BAND(3B)<245HR,245K>
26	8Z-CT9-018-010		BTN,VOL	59	8Z-CT9-201-010		HLDR,POINTER
27	8Z-CT9-009-010		KEY,CASS (A)	60	88-CH6-220-010		CUSHION,CD A
28	8Z-CT9-010-010		KEY,CASS (B)	61	8Z-CT6-213-010		BASE,CHUCK
29	8Z-CT9-011-010		KNOB,RTRY TU	62	8Z-CT9-022-010		LENS,OPE
30	86-CT9-026-010		PLATE,AC<EXCEPT 245HR>	63	87-036-389-010		SW,PUSH LOCK
31	8Z-CT9-008-010		WINDOW,CD	64	8Z-CT9-206-010		CAP,SW
32	8Z-CT9-208-010		BASE,GEQ	65	87-A90-086-010		COVER,AC-SOCKET
33	8Z-CT9-209-010		CHAS,CD	66	86-CT9-206-010		HLDR,TRANS<235U>
34	86-CT9-202-010		DRUM,TU	66	87-A91-302-010		SW,AC SL 2 2 2 SDKGA40100 <EXCEPT 235U,245K>
35	8Z-CT9-207-010		GEAR,BAND				
36	86-CT9-207-010		HLDR,ANT	A	81-CD5-204-010		SCREW CD
37	86-CT9-223-010		CUSH,FOOT				

SPEAKER PARTS LIST

DESCRIPTIONで判断できない物は "REFERENCE NAME LIST" を参照してください。
If can't understand for Description please kindly refer to "REFERENCE NAME LIST".

REF. NO	PART NO.	KANRI NO.	DESCRIPTION
1	86-CT9-039-010		BADGE,AIWA 30N
2	8Z-CT9-041-010		CABI,SPKR FR A
3	8Z-CT9-042-010		CABI,SPKR FR B
4	86-CT9-117-010		CABI,SPKR-REAR L RF
5	86-CT9-118-010		CABI,SPKR-REAR R RF
6	8Z-CT9-043-010		GRILLE,SPKR
7	86-CT9-121-010		HLDR,CORD RF
8	86-CT9-108-010		HLDR,WOOD
9	8Z-CT6-646-010		CORD ASSY,SPEAKER
10	8Z-CT6-647-010		SPKR,12 3.20HM<EXCEPT 235U>
10	8Z-CT9-631-010		SPKR,12 7.00HM<235U>
A	87-651-100-410		VT1+3-16
B	87-751-096-410		VT2+3-10 GLD

MECHANICAL EXPLODED VIEW 1/1



サービス技術ニュース	
番号	連絡内容
G- -	
G- -	
G- -	

アイワ株式会社 〒110-8710 東京都台東区池之端1-2-11 ☎03(3827)3111 (代表)
AIWA CO.,LTD. 2-11, IKENOHATA 1-CHOME, TAITO-KU, TOKYO 110, JAPAN TEL:03 (3827) 3111