

SERVICE MANUAL

CD MECHANISM

aiwa

S/M Code No. 09-001-341-1N2

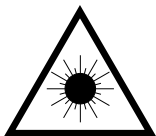


PROTECTION OF EYES FROM LASER BEAM DURING SERVICING

This set employs laser. Therefore, be sure to follow carefully the instructions below when servicing.

WARNING!

WHEN SERVICING, DO NOT APPROACH THE LASER EXIT WITH THE EYE TOO CLOSELY. IN CASE IT IS NECESSARY TO CONFIRM LASER BEAM EMISSION. BE SURE TO OBSERVE FROM A DISTANCE OF MORE THAN 30cm FROM THE SURFACE OF THE OBJECTIVE LENS ON THE OPTICAL PICK-UP BLOCK.



- Caution: Invisible laser radiation when open and interlocks defeated avoid exposure to beam.
- Advarsel: Usynlig laserstråling ved åbning, når sikkerhedsafbrydere er ude af funktion. Undgå udsættelse for stråling.

VAROITUS!

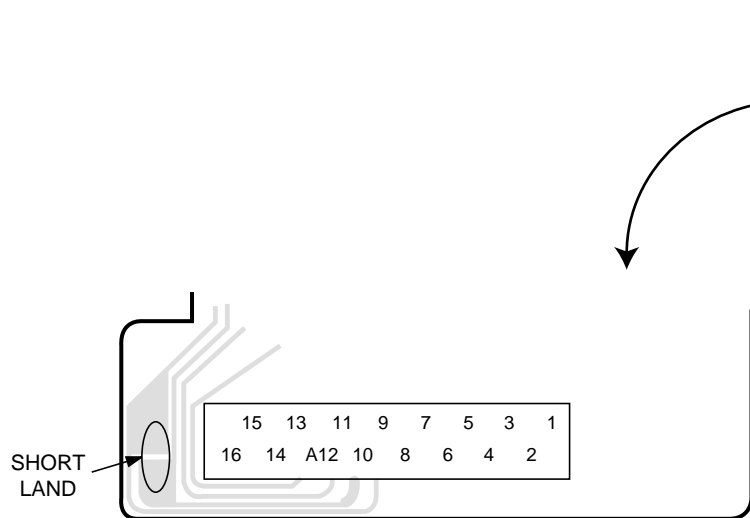
Laiteen Käyttäminen muulla kuin tässä käyttöohjeessa mainituilla tavalla saattaa altistaa käyttäjän turvallisuusluokan 1 ylittävälle näkymättömälle lasersäteilylle.

VARNING!

Om apparaten används på annat sätt än vad som specificeras i denna bruksanvisning, kan användaren utsättas för osynlig laserstråling, som överskrider gränsen för laserklass 1.

Precaution to replace Optical block

Body or clothes electrostatic potential could ruin laser diode in the optical block. Be sure ground body and workbench, and use care the clothes do not touch the diode.



CAUTION

Use of controls or adjustments or performance of procedures other than those specified herein may result in hazardous radiation exposure.

ATTENTION

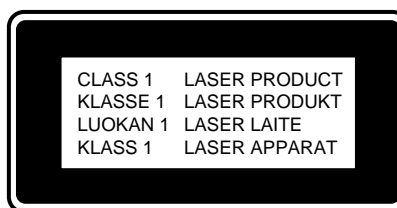
L'utilisation de commandes, réglages ou procédures autres que ceux spécifiés peut entraîner une dangereuse exposition aux radiations.

ADVARSEL!

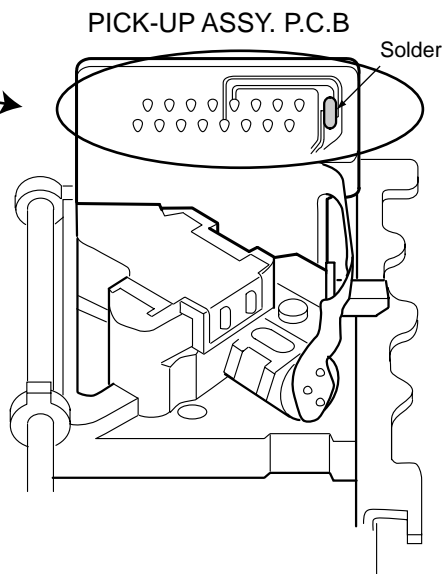
Usynlig laserstråling ved åbning, når sikkerhedsafbrydere er ude af funktion. Undgå udsættelse for stråling.

This Compact Disc player is classified as a CLASS 1 LASER product.

The CLASS 1 LASER PRODUCT label is located on the rear exterior.



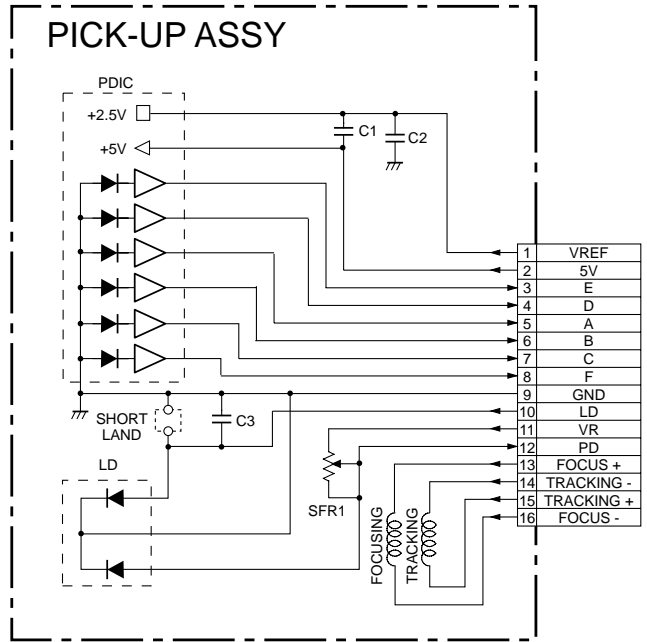
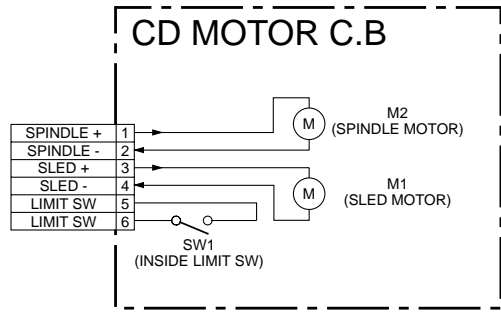
- 1) After the connection, remove solder shown in the right figure.



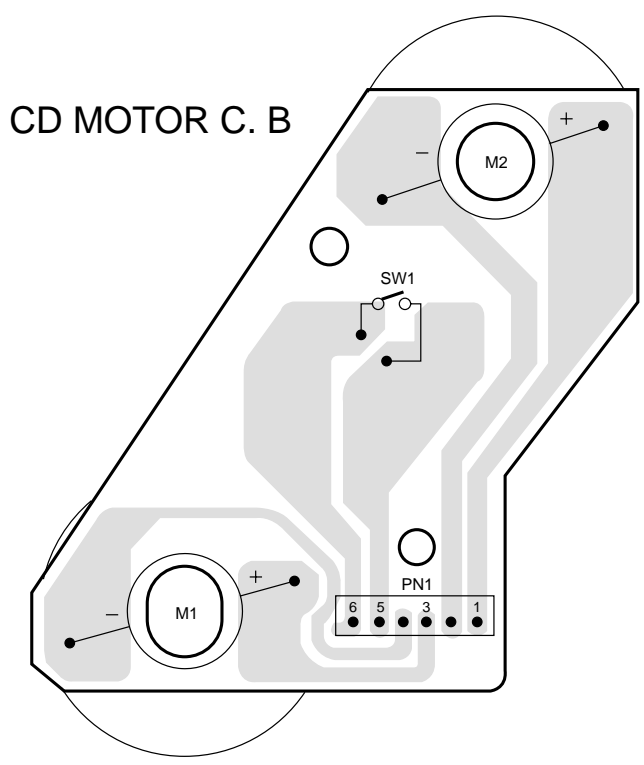
ELECTRICAL MAIN PARTS LIST 1/1

REF. NO	PART NO.	KANRI NO.	DESCRIPTION
MO2	SJ-310-060-1A0	--	MOTOR FEED
SW1	S4-090-001-740	--	SW, LEAF
PN1	SJ-370-060-1A0	--	CONN, WAFER

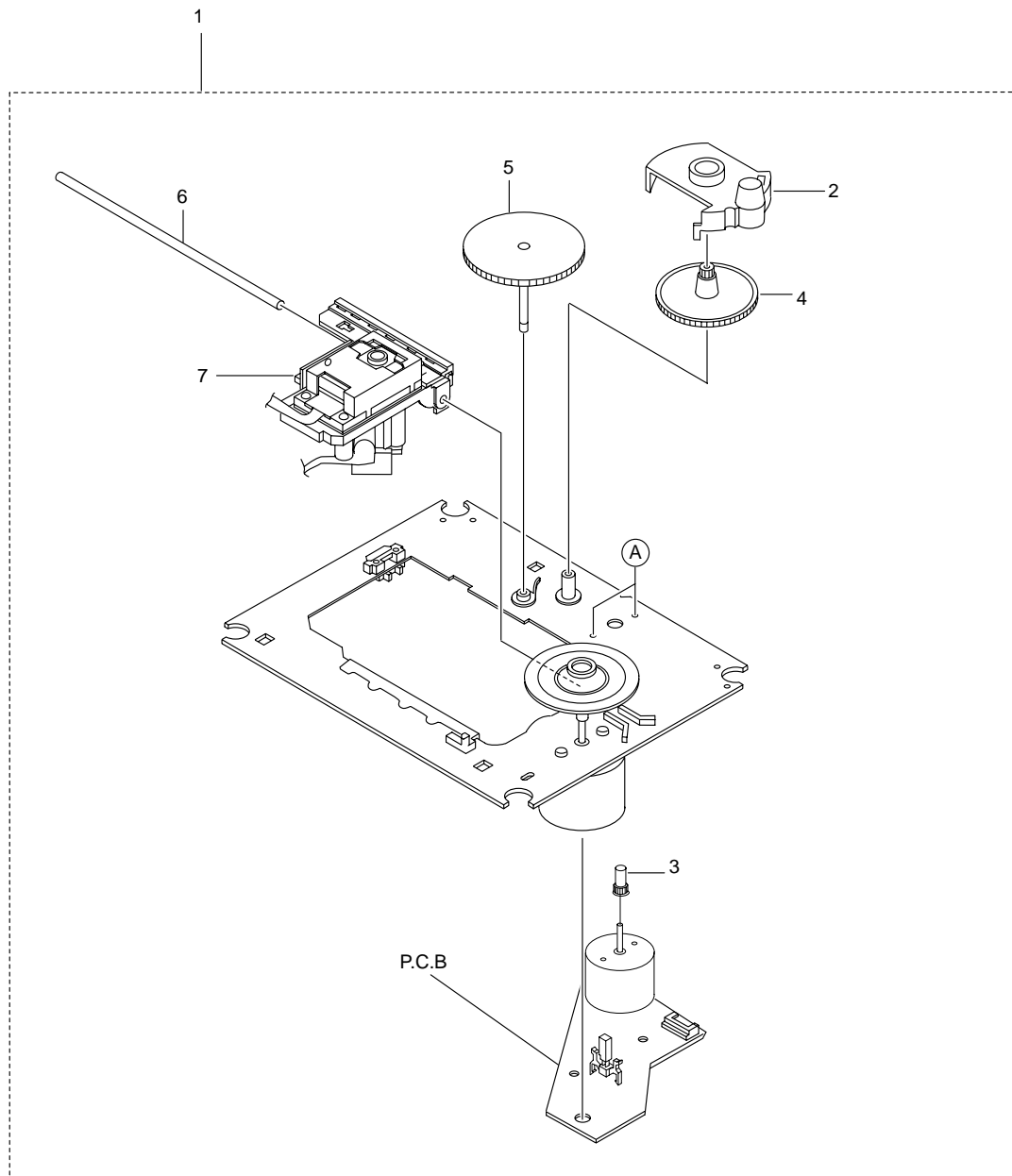
SCHEMATIC DIAGAM



WIRING



CD MECHANISM EXPLODED VIEW 1/1



CD MECHANISM PARTS LIST 1/1

REF. NO	PART NO.	KANRI NO.	DESCRIPTION
1	M8-ZZK-L90-07A	--	CMS-B31TG6 ASSY
2	SJ-660-060-1G0	--	COVER GEAR
3	SJ-660-060-1D0	--	GEAR(A)
4	SJ-660-060-1B0	--	GEAR(B)
5	SJ-660-060-1F0	--	GEAR(C)
6	SJ-700-060-1A0	--	SHAFT UP
7	SJ-750-060-1F0	--	PICKUP ASSY
A	SJ-600-060-100	--	SCREW-PH(+M2+3)

アイワ株式会社 〒110-8710 東京都台東区池之端1-2-11 ☎03(3827)3111 (代表)
AIWA CO.,LTD. 2-11, IKENOHATA 1-CHOME, TAITO-KU, TOKYO 110, JAPAN TEL:03 (3827) 3111

0251431