



CR-AX101 YL(S),YZ(S)

SERVICE MANUAL

STEREO RADIO RECEIVER

- Replace this Service Manual with "Revision Publishing" when it is issued.

aiwa
S/M Code No. 09-003-339-6T2

SIMPLE
DATA

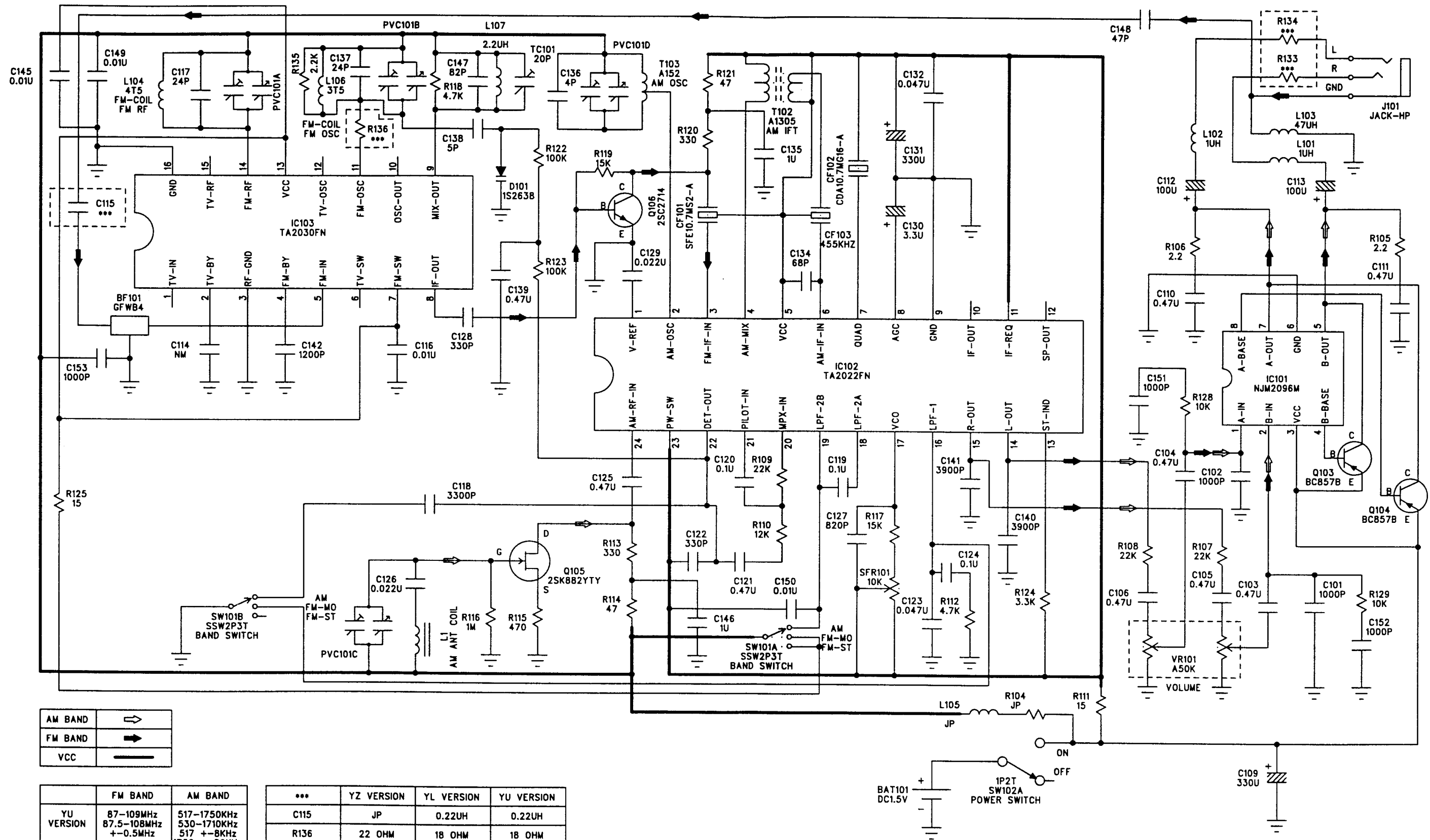
ELECTRICAL MAIN PARTS LIST - 1

NOTE: The characters in the suffix column indicate the part usage.

YZ<S>XX.....A.....
 YL<S>XX.....B.....

REF.NO	PARTS NO.	NO.	DESCRIPTION	SUFFIX
IC	101	87-A21-098-040	C-IC,NJM2096M	AB.....
IC	102	87-017-789-080	IC,TA2022FN	AB.....
IC	103	87-A20-745-040	C-IC,TA2030FN	AB.....
J	101	8A-RCL-608-010	JACK,TC38 ST W/O SW	AB.....
VR	101	8A-RCL-609-010	VR,RTRY 50KAX2	AB.....
SFR	101	8A-RCL-610-010	SFR,10K	AB.....
BPF	101	87-A91-701-010	FLTR,GFW B4	AB.....
CF	101	87-008-570-010	FLTR,SFT10.7MS23H-AE	AB.....
CF	102	86-HC5-628-010	FLTR,CDA10.7 MG16	AB.....
CF	103	87-A91-702-010	FLTR,CFM2 450BL	AB.....
PVC	101	87-A90-181-010	TUN-CAP,20-80-160 16X16
VC	0	87-A90-913-010	TUN-CAP,20P-140P 16*16	AB.....
SW	101	87-036-322-010	SW,SL 2-2-3	AB.....
SW	102	87-A91-152-010	SW,SL 1-1-2 SSSS212-11-A	AB.....
L	104	8A-RCL-601-010	COIL,FM RF	AB.....
L	106	8A-RCL-602-010	COIL,FM OSC	AB.....
T	101	8A-RCL-603-010	COIL,FM IFT	AB.....
T	102	8A-RCL-604-010	COIL,AM IFT	AB.....
T	103	8A-RCL-605-010	COIL,AM OSC	AB.....
L	107	8A-RCL-606-010	COIL,BAR-ANT	AB.....
D	101	8Z-CA3-615-010	DIODE,1S2638	AB.....
L	101	87-003-097-080	COIL,1UH	AB.....
L	102	87-003-097-080	COIL,1UH	AB.....
L	103	87-003-097-080	COIL,1UH	AB.....
L	105	87-A50-461-080	COIL,22UH K LAL02	AB.....
Q	103	87-A30-486-040	C-TR,BC857B	AB.....
Q	104	87-A30-486-040	C-TR,BC857B	AB.....
Q	105	89-503-025-080	CHIP FET,2SK302 GR	AB.....
Q	106	89-327-144-080	TR,2SC2714Y	AB.....
C	130	87-010-031-010	CAP,E 3.3-25 M BK	AB.....
C	112	87-010-079-010	100UF,6.3V ELECTROLYTIC	AB.....
C	113	87-010-079-010	100UF,6.3V ELECTROLYTIC	AB.....
C	109	87-010-807-010	CAP,E 330-6.3MCA	AB.....
C	131	87-010-807-010	CAP,E 330-6.3MCA	AB.....
C	145	87-010-807-010	CAP,E 330-6.3MCA	AB.....
C	136	87-010-148-080	CAP,CHIP S 75P SL	AB.....
C	115	87-010-156-080	C-CAP,S 15P-50 SL	AB.....
C	137	87-010-158-080	C-CAP,S 22P-50 SL	AB.....
C	117	87-010-159-080	C-CAP,S 27P-50 SL	AB.....
C	118	87-010-213-080	C-CAP,S 0.015-50 B	AB.....
C	126	87-010-192-080	C-CAP,S 0.022-50 F	AB.....
C	129	87-010-192-080	C-CAP,S 0.022-50 F	AB.....
C	105	87-010-194-080	CAP,CHIP 0.047	AB.....
C	106	87-010-194-080	CAP,CHIP 0.047	AB.....
C	132	87-010-194-080	CAP,CHIP 0.047	AB.....
C	103	87-010-196-080	CHIP CAPACITOR,0.1-25	AB.....
C	104	87-010-196-080	CHIP CAPACITOR,0.1-25	AB.....
C	138	87-012-167-080	C-CAP,U 5P-50 CH	AB.....
C	134	87-012-191-080	CHIP CAP 68 PF	AB.....
C	122	87-012-268-080	C-CAP,U 330P-50 B	AB.....
C	142	87-010-873-080	C-CAP,U 560-50 SL	AB.....
C	127	87-012-273-080	C-CAP,U 820P-50 B	AB.....
C	101	87-012-281-080	C-CAP,U 3900P-50 B	AB.....
C	102	87-012-281-080	C-CAP,U 3900P-50 B	AB.....
C	116	87-012-286-080	CAP,U 0.01-25	AB.....
C	128	87-012-286-080	CAP,U 0.01-25	AB.....
C	135	87-012-286-080	CAP,U 0.01-25	AB.....
C	146	87-012-286-080	CAP,U 0.01-25	AB.....
C	140	87-010-785-080	C-CAP,U0.015-25BK	AB.....
C	141	87-010-785-080	C-CAP,U0.015-25BK	AB.....
C	123	87-A10-504-080	C-CAP,U 0.047-16 K B	AB.....
C	119	87-010-831-080	C-CAP,U,0.1-16F	AB.....
C	120	87-010-831-080	C-CAP,U,0.1-16F	AB.....
C	124	87-010-831-080	C-CAP,U,0.1-16F	AB.....
C	110	87-A10-827-080	C-CAP,U 0.47-6.3 K B	AB.....
C	111	87-A10-827-080	C-CAP,U 0.47-6.3 K B	AB.....
C	121	87-A10-827-080	C-CAP,U 0.47-6.3 K B	AB.....
C	125	87-A10-827-080	C-CAP,U 0.47-6.3 K B	AB.....
C	139	87-A10-827-080	C-CAP,U 0.47-6.3 K B	AB.....

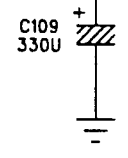
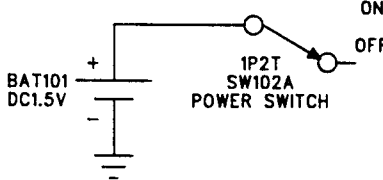
SCHEMATIC DIAGRAM - 1



AM BAND	⇨
FM BAND	⇨
VCC	—

	FM BAND	AM BAND
YU VERSION	87-109MHz 87.5-108MHz +-0.5MHz	517-1750KHz 530-1710KHz 517 +-8KHz 1750 +-30KHz
YL & YZ VERSION	87.3-108.3MHz 87.5-108MHz +-0.5MHz	515-1635KHz 530-1600KHz 515 +-5K 1635 +-20K

***	YZ VERSION	YL VERSION	YU VERSION
C115	JP	0.22UH	0.22UH
R136	22 OHM	18 OHM	18 OHM
R133 & R134	6.8 OHM	1 OHM	1 OHM



MECHANICAL PARTS LIST - 1

NOTE: The characters in the suffix column indicate the part usage.

YZ<S>XX.....A.....
 YL<S>XX.....B.....

REF.NO	PARTS NO.	NO.	DESCRIPTION	SUFFIX
*	8A-RCL-001-010		CABI,FRONT YU
*	8A-RCL-002-010		CABI,REAR YU
	8A-RCL-003-010		WINDOW,TUNE YU
	8A-RCL-004-010		KNOB,SL BAND YU
	8A-RCL-005-010		KNOB,SL POW YU
	8A-RCL-007-010		KNOB,RTRY TUNE	AB.....
	8A-RCL-008-010		POINTER,	AB.....
	8A-RCL-009-010		LID,BATT	AB.....
	8A-RCL-010-010		CABI,FRONT YZ	AB.....
	8A-RCL-011-010		CABI,REAR YZ	A.....
	8A-RCL-012-010		WINDOW,TUNE YZ	AB.....
	8A-RCL-013-010		KNOB,SL BAND YZ	AB.....
	8A-RCL-014-010		KNOB,SL POW YZ	AB.....
	8A-RCL-017-010		CABI,REAR YL	.B.....
	8A-RCL-201-010		CHAS,POINTER	AB.....
	8A-RCL-202-010		BAT-CONTACT,(+)	AB.....
	8A-RCL-203-010		BAT-CONTACT,(-)	AB.....
	8A-RC7-201-010		HLDR,ANT	AB.....
	87-B10-026-010		VT2+1.7-8 CR HL	AB.....
	87-354-529-310		VT2+1.7-4	AB.....
	87-266-525-310		SCREW V+2-3	AB.....

ACCESSORIES LIST

NOTE: The characters in the suffix column indicate the part usage.

YZ<S>XX.....A.....
 YL<S>XX.....B.....

REF.NO	PARTS NO.	NO.	DESCRIPTION	SUFFIX
	8A-RCL-901-010		IB,WYU(3L)
	8A-RCL-904-010		IB,YL(ESP)	.B.....
	8A-RCL-905-010		IB,YZ(6L)	A.....
	8A-RCL-906-010		IB,YZ(PHC)	A.....
	8A-RCL-006-010		CLIP,BELT YU
	87-B30-319-010		HEADPHONE,HP-M046(S) NECK-BAND	AB.....
	8A-RCL-015-010		CLIP,BELT YZ	AB.....
	87-B30-363-010		HEADPHONE,HP-M046(V)



アイワ株式会社 〒110-8710 東京都台東区池之端1-2-11 ☎03(3827)3111 (代表)
AIWA CO.,LTD. 2-11, IKENOHATA 1-CHOME, TAITO-KU, TOKYO 110-8710, JAPAN TEL:03 (3827) 3111