



CSD-A100 HRJ(S)

SERVICE MANUAL

COMPACT DISC RADIO
CASSETTE RECORDER

BASIC TAPE MECHANISM : ZZM-1 YR2NF
BASIC CD MECHANISM : DA11T3C

- Replace this Service Manual with "Revision Publishing" when it is issued.

aiwa
S/M Code No. 09-003-342-2T3

SIMPLE
DATA

ELECTRICAL MAIN PARTS LIST - 1

NOTE: The characters in the suffix column indicate the part usage.

100HRJ(S)XX.....M.....

REF.NO	PARTS NO.	NO.	DESCRIPTION	SUFFIX
JW	605	87-003-097-080	0E COIL,1UH	ABCDEFGHIJKLM.....
JW	606	87-003-097-080	0E COIL,1UH	ABCDEFGHIJKLM.....
JW	608	87-003-097-080	0E COIL,1UH	ABCDEFGHIJKLM.....
JW	633	87-003-098-080	0E COIL,2.2UH	ABCDEFGHIJKLM.....
JW	603	87-008-372-080	0E FILTER, EMI BL OIRNI	ABCDEFGHIJKLM.....
JW	627	87-008-372-080	0E FILTER, EMI BL OIRNI	ABCDEFGHIJKLM.....
C	605	87-010-264-040	0E CAP,E 100-10 5L	ABCDEFGHIJKLM.....
C	630	87-010-264-040	0E CAP,E 100-10 5L	ABCDEFGHIJKLM.....
C	614	87-010-312-080	0E C-CAP,S 15P-50 CH	ABCDEFGHIJKLM.....
C	601	87-010-313-080	0E CAP, CHIP 18P	ABCDEFGHIJKLM.....
C	602	87-010-315-080	0E C-CAP,S 27P-50 CH	ABCDEFGHIJKLM.....
C	604	87-010-317-010	0E CHIP CAP,S 39P CH	ABCDEFGHIJKLM.....
C	603	87-010-319-080	0E C-CAP,S 56P-50 CH	ABCDEFGHIJKLM.....
C	608	87-010-415-080	0E CAP ELE SRE 10-50V	ABCDEFGHIJKLM.....
C	609	87-010-493-080	0E CAP,E 0.47-50 GAS	ABCDEFGHIJKLM.....
C	606	87-012-368-080	0E C-CAP,S 0.1-50 F	ABCDEFGHIJKLM.....
C	613	87-012-368-080	0E C-CAP,S 0.1-50 F	ABCDEFGHIJKLM.....
C	607	87-015-779-010	0E CHIP CAPACITOR, 0.01	ABCDEFGHIJKLM.....
C	627	87-015-779-010	0E CHIP CAPACITOR, 0.01	ABCDEFGHIJKLM.....
C	628	87-015-779-010	0E CHIP CAPACITOR, 0.01	ABCDEFGHIJKLM.....
C	629	87-015-779-010	0E CHIP CAPACITOR, 0.01	ABCDEFGHIJKLM.....
C	631	87-015-779-010	0E CHIP CAPACITOR, 0.01	ABCDEFGHIJKLM.....
D	601	87-020-465-080	0E DIODE,1SS133 (110MA)	ABCDEFGHIJKLM.....
D	602	87-020-465-080	0E DIODE,1SS133 (110MA)	ABCDEFGHIJKLM.....
D	607	87-020-465-080	0E DIODE,1SS133 (110MA)	ABCDEFGHIJKLM.....
D	608	87-020-465-080	0E DIODE,1SS133 (110MA)	ABCDEFGHIJKLM.....
Q	603	87-026-213-080	0E CHIP-TR,DTC114YK	ABCDEFGHIJKLM.....
Q	606	87-026-239-080	0E TR,DTC114TK (0.2W)	ABCDEFGHIJKLM.....
Q	607	87-026-239-080	0E TR,DTC114TK (0.2W)	ABCDEFGHIJKLM.....
Q	608	87-026-239-080	0E TR,DTC114TK (0.2W)	ABCDEFGHIJKLM.....
Q	613	87-026-239-080	0E TR,DTC114TK (0.2W)	ABCDEFGHIJKLM.....
Q	610	87-026-463-080	0E TR,2SA933S (0.3W)	ABCDEFGHIJKLM.....
X	601	87-030-273-010	1A VIB,XTAL 32.768K5PPM	ABCDEFGHIJKLM.....
X	602	87-030-376-080	1A VIB,CER CSA5.76MG200	ABCDEFGHIJKLM.....
D	606	87-070-345-080	0E DIODE,IN4148	ABCDEFGHIJKLM.....
CN	601	87-099-757-010	0E CONN,16P 9604S F	ABCDEFGHIJKLM.....
CN	611	87-A10-189-040	0E CAP,E 220-10	ABCDEFGHIJKLM.....
CN	602	87-A60-079-010	0E CONN,08P H 9604S-08F	ABCDEFGHIJKLM.....
S	601	87-A91-704-080	SW,TACT EVQ 214 05R	ABCDEFGHIJKLM.....
S	602	87-A91-704-080	SW,TACT EVQ 214 05R	ABCDEFGHIJKLM.....
S	603	87-A91-704-080	SW,TACT EVQ 214 05R	ABCDEFGHIJKLM.....
S	604	87-A91-704-080	SW,TACT EVQ 214 05R	ABCDEFGHIJKLM.....
S	605	87-A91-704-080	SW,TACT EVQ 214 05R	ABCDEFGHIJKLM.....
S	611	87-A91-704-080	SW,TACT EVQ 214 05R	ABCDEFGHIJKLM.....
LED	611	87-CD8-616-010	LED,SA36-11 HWA-11.0	ABCDEFGHIJKLM.....
LED	602	88-CD6-630-010	LED,934ID RED	ABCDEFGHIJKLM.....
LED	608	88-CD6-630-010	LED,934ID RED	ABCDEFGHIJKLM.....
LED	610	88-CD6-631-010	LED,934GD GRN	A.C.F.....
Q	604	89-317-403-080	0E TR,2SC1740S	ABCDEFGHIJKLM.....
IC	601	8A-CD9-610-010	1D C-IC,LC865516A-***	ABCDEFGHIJKLM.....
CNA	604	8A-CDA-623-010	1A CONN ASSY,7P KEY	ABCDEFGHIJKLM.....
JW	605	87-003-097-080	COIL,1UHNOPQR..
JW	606	87-003-097-080	COIL,1UHNOPQR..
JW	608	87-003-097-080	COIL,1UHNOPQR..
JW	633	87-003-098-080	COIL,2.2UHNOPQR..
JW	603	87-008-372-080	FILTER, EMI BL OIRNINOPQR..
JW	627	87-008-372-080	FILTER, EMI BL OIRNINOPQR..
C	610	87-010-178-010	CAP, S 1000P-50NOPQR..
C	605	87-010-264-040	CAP,E 100-10 5LNOPQR..
C	630	87-010-264-040	CAP,E 100-10 5LNOPQR..
C	614	87-010-312-080	C-CAP,S 15P-50 CHNOPQR..
C	601	87-010-313-080	CAP, CHIP 18PNOPQR..
C	602	87-010-315-080	C-CAP,S 27P-50 CHNOPQR..
C	604	87-010-317-010	CHIP CAP,S 39P CHNOPQR..
C	603	87-010-319-080	C-CAP,S 56P-50 CHNOPQR..
C	608	87-010-415-080	CAP ELE SRE 10-50VNOPQR..
C	612	87-010-415-080	CAP ELE SRE 10-50VNOPQR..
C	609	87-010-493-080	CAP,E 0.47-50 GASNOPQR..
C	606	87-012-368-080	C-CAP,S 0.1-50 FNOPQR..
C	613	87-012-368-080	C-CAP,S 0.1-50 FNOPQR..
C	607	87-015-779-010	CHIP CAPACITOR, 0.01NOPQR..
C	627	87-015-779-010	CHIP CAPACITOR, 0.01NOPQR..
C	628	87-015-779-010	CHIP CAPACITOR, 0.01NOPQR..
C	629	87-015-779-010	CHIP CAPACITOR, 0.01NOPQR..
C	631	87-015-779-010	CHIP CAPACITOR, 0.01NOPQR..
D	601	87-020-465-080	DIODE,1SS133 (110MA)NOPQR..
D	602	87-020-465-080	DIODE,1SS133 (110MA)NOPQR..
D	604	87-020-465-080	DIODE,1SS133 (110MA)NOPQR..
D	605	87-020-465-080	DIODE,1SS133 (110MA)NOPQR..
D	607	87-020-465-080	DIODE,1SS133 (110MA)NOPQR..
D	608	87-020-465-080	DIODE,1SS133 (110MA)NOPQR..
Q	603	87-026-213-080	CHIP-TR,DTC114YKNOPQR..
Q	646	87-026-237-080	CHIP-TR,DTC124XKNOPQR..
Q	606	87-026-239-080	TR,DTC114TK (0.2W)NOPQR..
Q	607	87-026-239-080	TR,DTC114TK (0.2W)NOPQR..
Q	608	87-026-239-080	TR,DTC114TK (0.2W)NOPQR..

ELECTRICAL MAIN PARTS LIST - 2

Q	613	87-026-239-080	TR,DTC114TK (0.2W)	NOPQR..
Q	610	87-026-463-080	TR,2SA933S (0.3W)	NOPQR..
X	601	87-030-273-010	VIB,XTAL 32.768K5PPM	NOPQR..
X	602	87-030-376-080	VIB,CER CSA5.76MG200	NOPQR..
D	606	87-070-345-080	DIODE,IN4148	NOPQR..
CN	601	87-099-757-010	CONN,16P 9604S F	NOPQR..
C	611	87-A10-189-040	CAP,E 220-10	NOPQR..
IC	602	87-A20-650-010	IC,RPM6938-V11	NOPQR..
CN	602	87-A60-079-010	CONN,08P H 9604S-08F	NOPQR..
S	601	87-A91-704-080	SW,TACT EVQ 214 05R	NOPQR..
S	602	87-A91-704-080	SW,TACT EVQ 214 05R	NOPQR..
S	603	87-A91-704-080	SW,TACT EVQ 214 05R	NOPQR..
S	604	87-A91-704-080	SW,TACT EVQ 214 05R	NOPQR..
S	605	87-A91-704-080	SW,TACT EVQ 214 05R	NOPQR..
S	609	87-A91-704-080	SW,TACT EVQ 214 05R	NOPQR..
S	611	87-A91-704-080	SW,TACT EVQ 214 05R	NOPQR..
LED	611	87-CD8-616-010	LED,SA36-11 HWA-11.0	NOPQR..
LED	602	88-CD6-630-010	LED,934ID RED	NOPQR..
LED	608	88-CD6-630-010	LED,934ID RED	NOPQR..
LED	610	88-CD6-631-010	LED,934GD GRN	NOPQR..
Q	604	89-317-403-080	TR,2SC1740S	NOPQR..
IC	601	8A-CD9-610-010	C-IC,LC865516A-***	NOPQR..
CNA	604	8A-CDA-623-010	CONN ASSY,7P KEY	NOPQR..
CN	605	87-A60-117-010	OE CONN,7P H S2M-7WR	ABCDEFGHIJKLM..
J	251	87-A60-569-010	1C JACK,HTJ-035-18	ABCDEFGHIJKLM..
CN	204	87-A60-685-010	OE CONN,4P H WHT EH	ABCDEFGHIJKLM..
LED	606	88-CD6-630-010	LED,934ID RED	ABCDEFGHIJKLM..
LED	607	88-CD6-630-010	LED,934ID RED	ABCDEFGHIJKLM..
CNA	203	8A-CDA-628-010	CONN ASSY,4P MA-HP	ABCDEFGHIJKLM..
CN	605	87-A60-117-010	CONN,7P H S2M-7WR	NOPQR..
J	251	87-A60-569-010	JACK,HTJ-035-18	NOPQR..
CN	204	87-A60-685-010	CONN,4P H WHT EH	NOPQR..
S	606	87-A91-704-080	SW,TACT EVQ 214 05R	NOPQR..
S	607	87-A91-704-080	SW,TACT EVQ 214 05R	NOPQR..
S	608	87-A91-704-080	SW,TACT EVQ 214 05R	NOPQR..
S	614	87-A91-704-080	SW,TACT EVQ 214 05R	NOPQR..
S	615	87-A91-704-080	SW,TACT EVQ 214 05R	NOPQR..
D	606	88-CD6-630-010	LED,934ID RED	NOPQR..
D	607	88-CD6-630-010	LED,934ID RED	NOPQR..
CNA	203	8A-CDA-628-010	CONN ASSY,4P MA-HP	NOPQR..
C	901	87-010-192-080	OE C-CAP,S 0.022-50 F	ABCDEFGHIJKLM..
C	902	87-010-192-080	OE C-CAP,S 0.022-50 F	ABCDEFGHIJKLM..
C	903	87-010-192-080	OE C-CAP,S 0.022-50 F	ABCDEFGHIJKLM..
C	904	87-010-192-080	OE C-CAP,S 0.022-50 F	ABCDEFGHIJKLM..
D	901	87-A40-465-010	OE DIODE,FR202	ABCDEFGHIJKLM..
D	902	87-A40-465-010	OE DIODE,FR202	ABCDEFGHIJKLM..
D	903	87-A40-465-010	OE DIODE,FR202	ABCDEFGHIJKLM..
D	904	87-A40-465-010	OE DIODE,FR202	ABCDEFGHIJKLM..
D	905	87-A40-465-010	OE DIODE,FR202	ABCDEFGHIJKLM..
PR	901	87-A90-092-080	1A PROTECTOR,2.5A 491	AB.DEFGHIJKLM..
SP	901	87-CD6-213-010	SPR-C,BATT (-)	ABCDEFGHIJKLM..
SP	902	87-CD6-213-010	SPR-C,BATT (-)	ABCDEFGHIJKLM..
SP	903	87-CD6-213-010	SPR-C,BATT (-)	ABCDEFGHIJKLM..
SP	904	87-CD6-213-010	SPR-C,BATT (-)	ABCDEFGHIJKLM..
CNA	901	8A-CDA-627-010	CONN ASSY,3P PWR	ABCDEFGHIJKLM..
C	901	87-010-192-080	C-CAP,S 0.022-50 F	NOPQR..
C	902	87-010-192-080	C-CAP,S 0.022-50 F	NOPQR..
C	903	87-010-192-080	C-CAP,S 0.022-50 F	NOPQR..
C	904	87-010-192-080	C-CAP,S 0.022-50 F	NOPQR..
D	901	87-A40-465-010	DIODE,FR202	NOPQR..
D	902	87-A40-465-010	DIODE,FR202	NOPQR..
D	903	87-A40-465-010	DIODE,FR202	NOPQR..
D	904	87-A40-465-010	DIODE,FR202	NOPQR..
D	905	87-A40-465-010	DIODE,FR202	NOPQR..
PR	901	87-A90-092-080	PROTECTOR,2.5A 491	N.PQR..
SP	901	87-CD6-213-010	SPR-C,BATT (-)	NOPQR..
SP	902	87-CD6-213-010	SPR-C,BATT (-)	NOPQR..
SP	903	87-CD6-213-010	SPR-C,BATT (-)	NOPQR..
SP	904	87-CD6-213-010	SPR-C,BATT (-)	NOPQR..
CNA	901	8A-CDA-627-010	CONN ASSY,3P PWR	NOPQR..
C	239	87-010-197-080	OE CAP,CHIP 0.01 DM	ABCDEFGHIJKLM..
C	240	87-010-197-080	OE CAP,CHIP 0.01 DM	ABCDEFGHIJKLM..
C	231	87-010-213-080	OE C-CAP,S 0.015-50 B	ABCDEFGHIJKLM..
C	232	87-010-213-080	OE C-CAP,S 0.015-50 B	ABCDEFGHIJKLM..
C	310	87-010-248-080	OE CAP,ELECT 220-10V	ABCDEFGHIJKLM..
C	316	87-010-263-080	OE CAP,ELECT 100-10V	ABCDEFGHIJKLM..
C	237	87-010-371-080	OE CAP,ELECT 470-6.3V	ABCDEFGHIJKLM..
C	239	87-010-805-080	OE CAP,S 1-16B.E.GHIJK..
C	240	87-010-805-080	OE CAP,S 1-16B.E.GHIJK..
C	317	87-015-819-080	OE CAPACITOR,0.01	ABCDEFGHIJKLM..
C	215	87-016-460-080	OE C-CAP,S 0.22-16 B	ABCDEFGHIJKLM..
C	216	87-016-460-080	OE C-CAP,S 0.22-16 B	ABCDEFGHIJKLM..
C	235	87-016-669-080	OE C-CAP,S 0.1-25 K B	ABCDEFGHIJKLM..
C	236	87-016-669-080	OE C-CAP,S 0.1-25 K B	ABCDEFGHIJKLM..
C	233	87-A10-201-080	OE C-CAP,S0.33-16 KB	ABCDEFGHIJKLM..
C	234	87-A10-201-080	OE C-CAP,S0.33-16 KB	ABCDEFGHIJKLM..
C	211	87-A11-177-080	OE C-CAP,S 0.15-16 K B	ABCDEFGHIJKLM..
C	212	87-A11-177-080	OE C-CAP,S 0.15-16 K B	ABCDEFGHIJKLM..
IC	203	87-A21-443-040	1C C-IC,M62495AFPB.DE.GHIJK.M..
IC	203	87-A21-520-040	1E C-IC,M61509FP	A.C.F.....L..
D	307	87-A40-234-080	OE ZENER,MTZJ5.6A	ABCDEFGHIJKLM..
Q	306	89-318-154-080	OE TR,2SC1815 (0.4W)	ABCDEFGHIJKLM..
C	239	87-010-197-080	CAP,CHIP 0.01 DM	NOPQR..

ELECTRICAL MAIN PARTS LIST - 3

C	240	87-010-197-080	CAP, CHIP 0.01 DMNOPQR..
C	231	87-010-213-080	C-CAP,S 0.015-50 BNOPQR..
C	232	87-010-213-080	C-CAP,S 0.015-50 BNOPQR..
C	310	87-010-248-080	CAP, ELECT 220-10VNOPQR..
C	316	87-010-263-080	CAP, ELECT 100-10VNOPQR..
C	237	87-010-371-080	CAP, ELECT 470-6.3VNOPQR..
C	483	87-012-156-080	C-CAP,S 220P-50 CHNOPQR..
C	484	87-012-156-080	C-CAP,S 220P-50 CHNOPQR..
C	317	87-015-819-080	CAPACITOR,0.01NOPQR..
C	215	87-016-460-080	C-CAP,S 0.22-16 BNOPQR..
C	216	87-016-460-080	C-CAP,S 0.22-16 BNOPQR..
C	235	87-016-669-080	C-CAP,S 0.1-25 K BNOPQR..
C	236	87-016-669-080	C-CAP,S 0.1-25 K BNOPQR..
C	233	87-A10-201-080	C-CAP,S0.33-16 KBNOPQR..
C	234	87-A10-201-080	C-CAP,S0.33-16 KBNOPQR..
C	211	87-A11-177-080	C-CAP,S 0.15-16 K BNOPQR..
C	212	87-A11-177-080	C-CAP,S 0.15-16 K BNOPQR..
IC	203	87-A21-520-040	C-IC,M61509FPNOPQR..
D	307	87-A40-234-080	ZENER,MTZJ5.6ANOPQR..
Q	306	89-318-154-080	TR,2SC1815 (0.4W)NOPQR..
C	267	87-010-112-080	OE CAP, ELECT 100-16V	ABCDEFGHIJKLM.....
C	268	87-010-112-080	OE CAP, ELECT 100-16V	ABCDEFGHIJKLM.....
C	263	87-010-178-080	OE CHIP CAP 1000P	ABCDEFGHIJKLM.....
C	264	87-010-178-080	OE CHIP CAP 1000P	ABCDEFGHIJKLM.....
C	271	87-010-237-080	1A CAP, ELECT 1000-16V	ABCDEFGHIJKLM.....
C	272	87-010-237-080	1A CAP, ELECT 1000-16V	ABCDEFGHIJKLM.....
C	265	87-010-263-080	OE CAP, ELECT 100-10V	ABCDEFGHIJKLM.....
C	266	87-010-263-080	OE CAP, ELECT 100-10V	ABCDEFGHIJKLM.....
C	279	87-010-385-080	OE CAP, ELECT 220-25V	ABCDEFGHIJKLM.....
C	261	87-010-402-080	OE CAP, ELECT 2.2-50V	ABCDEFGHIJKLM.....
C	262	87-010-402-080	OE CAP, ELECT 2.2-50V	ABCDEFGHIJKLM.....
C	251	87-010-404-080	OE CAP, ELECT 4.7-50V	ABCDEFGHIJKLM.....
C	278	87-010-405-080	OE CAP, ELECT 10-50V	ABCDEFGHIJKLM.....
IC	202	87-A21-064-010	1D IC,LA4227	ABCDEFGHIJKLM.....
Q	244	89-318-154-080	OE TR,2SC1815 (0.4W)	ABCDEFGHIJKLM.....
Q	245	89-318-154-080	OE TR,2SC1815 (0.4W)	ABCDEFGHIJKLM.....
CN	202	8A-CH4-689-010	OE CONN,3P V 2.5	ABCDEFGHIJKLM.....
C	267	87-010-112-080	CAP, ELECT 100-16VNOPQR..
C	268	87-010-112-080	CAP, ELECT 100-16VNOPQR..
C	263	87-010-178-080	CHIP CAP 1000PNOPQR..
C	264	87-010-178-080	CHIP CAP 1000PNOPQR..
C	271	87-010-237-080	CAP, ELECT 1000-16VNOPQR..
C	272	87-010-237-080	CAP, ELECT 1000-16VNOPQR..
C	265	87-010-263-080	CAP, ELECT 100-10VNOPQR..
C	266	87-010-263-080	CAP, ELECT 100-10VNOPQR..
C	279	87-010-385-080	CAP, ELECT 220-25VNOPQR..
C	261	87-010-402-080	CAP, ELECT 2.2-50VNOPQR..
C	262	87-010-402-080	CAP, ELECT 2.2-50VNOPQR..
C	251	87-010-404-080	CAP, ELECT 4.7-50VNOPQR..
C	278	87-010-405-080	CAP, ELECT 10-50VNOPQR..
IC	202	87-A21-064-010	IC,LA4227NOPQR..
Q	244	89-318-154-080	TR,2SC1815 (0.4W)NOPQR..
Q	245	89-318-154-080	TR,2SC1815 (0.4W)NOPQR..
CN	202	8A-CH4-689-010	CONN,3P V 2.5NOPQR..
C	308	87-010-221-080	OE CAP, ELECT 470-10V	ABCDEFGHIJKLM.....
C	311	87-010-374-080	OE CAP, ELECT 47-10V	ABCDEFGHIJKLM.....
C	312	87-010-385-080	OE CAP, ELECT 220-25V	ABCDEFGHIJKLM.....
C	307	87-010-401-080	OE CAP, ELECT 1-50V	ABCDEFGHIJKLM.....
C	306	87-010-404-080	OE CAP, ELECT 4.7-50V	ABCDEFGHIJKLM.....
C	325	87-010-405-080	OE CAP, ELECT 10-50V	ABCDEFGHIJKLM.....
D	301	87-016-495-000	1B CAP,E 3300-25 M SMG	ABCDEFGHIJKLM.....
D	311	87-017-932-080	OE ZENER,MTJ6.2B	ABCDEFGHIJKLM.....
Q	303	87-026-291-080	1A TR,DTC124XS	ABCDEFGHIJKLM.....
Q	305	87-026-462-080	OE TR,2SC1740 S(RS 0.3W)	ABCDEFGHIJKLM.....
Q	302	87-026-463-080	OE TR,2SA933S (0.3W)	ABCDEFGHIJKLM.....
D	303	87-070-345-080	OE DIODE,IN4148	ABCDEFGHIJKLM.....
D	305	87-070-345-080	OE DIODE,IN4148	ABCDEFGHIJKLM.....
D	306	87-070-345-080	OE DIODE,IN4148	ABCDEFGHIJKLM.....
D	304	87-A40-648-080	OE ZENER,MTZJ8.2A	ABCDEFGHIJKLM.....
Q	301	89-112-965-080	OE TR,2SA1296 (0.75W)	ABCDEFGHIJKLM.....
Q	304	89-213-702-010	1A TR,2SB1370 (1.8W)	ABCDEFGHIJKLM.....
Q	310	89-318-154-080	OE TR,2SC1815 (0.4W)	ABCDEFGHIJKLM.....
CN	301	8A-CH4-689-010	OE CONN,3P V 2.5	ABCDEFGHIJKLM.....
C	308	87-010-221-080	CAP, ELECT 470-10VNOPQR..
C	311	87-010-374-080	CAP, ELECT 47-10VNOPQR..
C	312	87-010-385-080	CAP, ELECT 220-25VNOPQR..
C	307	87-010-401-080	CAP, ELECT 1-50VNOPQR..
C	306	87-010-404-080	CAP, ELECT 4.7-50VNOPQR..
C	325	87-010-405-080	CAP, ELECT 10-50VNOPQR..
D	301	87-016-495-000	CAP,E 3300-25 M SMGNOPQR..
D	311	87-017-932-080	ZENER,MTJ6.2BNOPQR..
Q	303	87-026-291-080	TR,DTC124XSNOPQR..
Q	305	87-026-462-080	TR,2SC1740 S(RS 0.3W)NOPQR..
Q	302	87-026-463-080	TR,2SA933S (0.3W)NOPQR..
D	303	87-070-345-080	DIODE,IN4148NOPQR..
D	305	87-070-345-080	DIODE,IN4148NOPQR..
D	306	87-070-345-080	DIODE,IN4148NOPQR..
D	304	87-A40-648-080	ZENER,MTZJ8.2ANOPQR..
Q	301	89-112-965-080	TR,2SA1296 (0.75W)NOPQR..
Q	304	89-213-702-010	TR,2SB1370 (1.8W)NOPQR..
Q	310	89-318-154-080	TR,2SC1815 (0.4W)NOPQR..
CN	301	8A-CH4-689-010	CONN,3P V 2.5NOPQR..
L	801	87-007-342-010	OE COIL,OSC 85K BIAS	ABCDEFGHIJKLM.....

ELECTRICAL MAIN PARTS LIST - 4

C	811	87-010-178-080	OE	CHIP	CAP	1000P	ABCDEFGHIJKLM.....
C	812	87-010-178-080	OE	CHIP	CAP	1000P	ABCDEFGHIJKLM.....
C	829	87-010-178-080	OE	CHIP	CAP	1000P	ABCDEFGHIJKLM.....
C	830	87-010-178-080	OE	CHIP	CAP	1000P	ABCDEFGHIJKLM.....
C	845	87-010-178-080	OE	CHIP	CAP	1000P	ABCDEFGHIJKLM.....
C	852	87-010-178-080	OE	CHIP	CAP	1000P	ABCDEFGHIJKLM.....
C	816	87-010-180-080	OE	C-CER	1500P		ABCDEFGHIJKLM.....
C	817	87-010-180-080	OE	C-CER	1500P		ABCDEFGHIJKLM.....
C	851	87-010-186-080	OE	CAP,CHIP	4700P		ABCDEFGHIJKLM.....
C	843	87-010-197-080	OE	CAP,	CHIP	0.01 DM	ABCDEFGHIJKLM.....
C	831	87-010-198-080	OE	CAP,	CHIP	0.022	ABCDEFGHIJKLM.....
C	801	87-010-248-080	OE	CAP,	ELECT	220-10V	ABCDEFGHIJKLM.....
C	834	87-010-248-080	OE	CAP,	ELECT	220-10V	ABCDEFGHIJKLM.....
C	30	87-010-260-080	OE	CAP,	ELECT	47-25V	ABCDEFGHIJKLM.....
C	322	87-010-260-080	OE	CAP,	ELECT	47-25V	ABCDEFGHIJKLM.....
C	846	87-010-263-080	OE	CAP,	ELECT	100-10V	ABCDEFGHIJKLM.....
C	247	87-010-401-080	OE	CAP,	ELECT	1-50V	ABCDEFGHIJKLM.....
C	248	87-010-401-080	OE	CAP,	ELECT	1-50V	ABCDEFGHIJKLM.....
C	809	87-010-401-080	OE	CAP,	ELECT	1-50V	ABCDEFGHIJKLM.....
C	810	87-010-401-080	OE	CAP,	ELECT	1-50V	ABCDEFGHIJKLM.....
C	821	87-010-401-080	OE	CAP,	ELECT	1-50V	ABCDEFGHIJKLM.....
C	822	87-010-401-080	OE	CAP,	ELECT	1-50V	ABCDEFGHIJKLM.....
C	807	87-010-405-080	OE	CAP,	ELECT	10-50V	ABCDEFGHIJKLM.....
C	808	87-010-405-080	OE	CAP,	ELECT	10-50V	ABCDEFGHIJKLM.....
C	805	87-012-365-080	OE	C-CAP,S	0.027-25VBK		ABCDEFGHIJKLM.....
C	806	87-012-365-080	OE	C-CAP,S	0.027-25VBK		ABCDEFGHIJKLM.....
D	308	87-017-978-080	OE	DIODE,	1N4003		ABCDEFGHIJKLM.....
C	844	87-018-124-080	OE	CAP,	CER	270P-50V	ABCDEFGHIJKLM.....
C	833	87-018-195-080	OE	CAP,	CER	1200P-16V	ABCDEFGHIJKLM.....
D	809	87-020-465-080	OE	DIODE,	1SS133	(110MA)	ABCDEFGHIJKLM.....
D	810	87-020-465-080	OE	DIODE,	1SS133	(110MA)	ABCDEFGHIJKLM.....
Q	810	87-026-464-080	OE	TR,	DTC114TS	(0.3W)	ABCDEFGHIJKLM.....
R	840	87-029-124-010	OE	RES,	FUSE	2.2-1/4	ABCDEFGHIJKLM.....
D	309	87-070-345-080	OE	DIODE,	IN4148		ABCDEFGHIJKLM.....
D	807	87-070-345-080	OE	DIODE,	IN4148		ABCDEFGHIJKLM.....
D	808	87-070-345-080	OE	DIODE,	IN4148		ABCDEFGHIJKLM.....
C	853	87-A11-132-080	OE	CAP,TC	U	0.01-50 K B	ABCDEFGHIJKLM.....
IC	801	87-A21-431-010	OE	IC,	BA4560N		ABCDEFGHIJKLM.....
CN	801	87-A60-110-010	OE	CONN,	4P V	S2M-4W	ABCDEFGHIJKLM.....
Q	801	89-318-154-080	OE	TR,	2SC1815	(0.4W)	ABCDEFGHIJKLM.....
CN	802	8A-CH4-687-010	OE	CONN,	4P V	2.5	ABCDEFGHIJKLM.....
SW	801	8Z-CD9-609-010		SW,SL	1-6-2	PS62D01	ABCDEFGHIJKLM.....
L	801	87-007-342-010		COIL,OSC	85K	BIASNOPQR..
C	811	87-010-178-080		CHIP	CAP	1000PNOPQR..
C	812	87-010-178-080		CHIP	CAP	1000PNOPQR..
C	829	87-010-178-080		CHIP	CAP	1000PNOPQR..
C	830	87-010-178-080		CHIP	CAP	1000PNOPQR..
C	845	87-010-178-080		CHIP	CAP	1000PNOPQR..
C	852	87-010-178-080		CHIP	CAP	1000PNOPQR..
C	816	87-010-180-080		C-CER	1500P	NOPQR..
C	817	87-010-180-080		C-CER	1500P	NOPQR..
C	851	87-010-186-080		CAP,CHIP	4700P	NOPQR..
C	843	87-010-197-080		CAP,	CHIP	0.01 DMNOPQR..
C	831	87-010-198-080		CAP,	CHIP	0.022NOPQR..
C	801	87-010-248-080		CAP,	ELECT	220-10VNOPQR..
C	834	87-010-248-080		CAP,	ELECT	220-10VNOPQR..
C	30	87-010-260-080		CAP,	ELECT	47-25VNOPQR..
C	322	87-010-260-080		CAP,	ELECT	47-25VNOPQR..
C	846	87-010-263-080		CAP,	ELECT	100-10VNOPQR..
C	821	87-010-401-080		CAP,	ELECT	1-50VNOPQR..
C	822	87-010-401-080		CAP,	ELECT	1-50VNOPQR..
C	807	87-010-405-080		CAP,	ELECT	10-50VNOPQR..
C	808	87-010-405-080		CAP,	ELECT	10-50VNOPQR..
C	805	87-012-365-080		C-CAP,S	0.027-25VBK	NOPQR..
C	806	87-012-365-080		C-CAP,S	0.027-25VBK	NOPQR..
D	308	87-017-978-080		DIODE,	1N4003	NOPQR..
C	844	87-018-124-080		CAP,	CER	270P-50VNOPQR..
C	833	87-018-195-080		CAP,	CER	1200P-16VNOPQR..
D	809	87-020-465-080		DIODE,	1SS133	(110MA)NOPQR..
D	810	87-020-465-080		DIODE,	1SS133	(110MA)NOPQR..
Q	810	87-026-464-080		TR,	DTC114TS	(0.3W)NOPQR..
R	840	87-029-124-010		RES,	FUSE	2.2-1/4NOPQR..
D	309	87-070-345-080		DIODE,	IN4148	NOPQR..
D	807	87-070-345-080		DIODE,	IN4148	NOPQR..
D	808	87-070-345-080		DIODE,	IN4148	NOPQR..
C	853	87-A11-132-080		CAP,TC	U	0.01-50 K BNOPQR..
IC	801	87-A21-431-010		IC,	BA4560N	NOPQR..
CN	801	87-A60-110-010		CONN,	4P V	S2M-4WNOPQR..
Q	801	89-318-154-080		TR,	2SC1815	(0.4W)NOPQR..
CN	802	8A-CH4-687-010		CONN,	4P V	2.5NOPQR..
SW	801	8Z-CD9-609-010		SW,SL	1-6-2	PS62D01NOPQR..
C	321	87-010-197-080	OE	CAP,	CHIP	0.01 DM	ABCDEFGHIJKLM.....
C	322	87-010-263-080	OE	CAP,	ELECT	100-10V	ABCDEFGHIJKLM.....
Q	841	87-026-291-080	1A	TR,	DTC124XS		ABCDEFGHIJKLM.....
D	323	87-070-345-080	OE	DIODE,	IN4148		AB. DEFGHIJKLM.....
CN	201	87-099-018-010	OE	CONN,	16P		ABCDEFGHIJKLM.....
D	32	87-A40-509-080	OE	ZENER,	MTZJ6.8C		..C.....
D	32	87-A40-650-080	OE	ZENER,	MTZJ6.8A		AB. DEFGHIJKLM.....
Q	321	89-318-154-080	OE	TR,	2SC1815	(0.4W)	ABCDEFGHIJKLM.....
CNA	302	8A-CDA-629-010		CONN	ASSY,6P	MA-TU	ABCDEFGHIJKLM.....
C	321	87-010-197-080		CAP,	CHIP	0.01 DMNOPQR..
C	322	87-010-263-080		CAP,	ELECT	100-10VNOPQR..
Q	841	87-026-291-080		TR,	DTC124XS	NOPQR..

ELECTRICAL MAIN PARTS LIST - 5

D	32	87-027-399-080	ZENER, HZ7A3L (200MA)	NOPQR..
D	323	87-070-345-080	DIODE, IN4148	NOPQR..
CN	201	87-099-018-010	CONN, 16P	NOPQR..
D	32	87-A40-509-080	ZENER, MTZJ6.8C	O.....
D	32	87-A40-650-080	ZENER, MTZJ6.8A	N.PQR..
Q	321	89-318-154-080	TR, 2SC1815 (0.4W)	NOPQR..
CNA	302	8A-CDA-629-010	CONN ASSY, 6P MA-TU	NOPQR..
L	401	87-003-102-080	OE COIL, 10UH	ABCDEFGHIJKL..
L	404	87-003-152-080	OE COIL, 100UH	ABCDEFGHIJKL..
C	440	87-010-145-080	OE C-CAP, S 1P-50 CH	ABCDEFGHIJKL..
C	425	87-010-176-080	OE C-CAP, S 680P-50 SL	ABCDEFGHIJKL..
C	407	87-010-178-080	OE CHIP CAP 1000P	ABCDEFGHIJKL..
C	439	87-010-178-080	OE CHIP CAP 1000P	ABCDEFGHIJKL..
C	493	87-010-180-080	OE C-CER 1500PC.....
C	422	87-010-184-080	OE CHIP CAPACITOR 3300P(K)	ABCDEFGHIJKL..
C	434	87-010-184-080	OE CHIP CAPACITOR 3300P(K)	ABCDEFGHIJKL..
C	429	87-010-186-080	OE CAP, CHIP 4700P	ABCDEFGHIJKL..
C	494	87-010-197-080	OE CAP, CHIP 0.01 DM	ABCDEFGHIJKL..
C	408	87-010-198-080	OE CAP, CHIP 0.022	ABCDEFGHIJKL..
C	418	87-010-213-080	OE C-CAP, S 0.015-50 B	ABCDEFGHIJKL..
C	480	87-010-221-080	OE CAP, ELECT 470-10V	ABCDEFGHIJKL..
C	476	87-010-236-080	OE CAP, E 1000-10 SME	ABCDEFGHIJKL..
C	455	87-010-247-080	OE CAP, ELECT 100-50V	ABCDEFGHIJKL..
C	404	87-010-248-080	OE CAP, ELECT 220-10V	ABCDEFGHIJKL..
C	409	87-010-248-080	OE CAP, ELECT 220-10V	ABCDEFGHIJKL..
C	462	87-010-248-080	OE CAP, ELECT 220-10V	ABCDEFGHIJKL..
C	403	87-010-263-080	OE CAP, ELECT 100-10V	ABCDEFGHIJKL..
C	410	87-010-263-080	OE CAP, ELECT 100-10V	ABCDEFGHIJKL..
C	459	87-010-263-080	OE CAP, ELECT 100-10V	ABCDEFGHIJKL..
C	467	87-010-263-080	OE CAP, ELECT 100-10V	ABCDEFGHIJKL..
C	478	87-010-263-080	OE CAP, ELECT 100-10V	ABCDEFGHIJKL..
C	457	87-010-312-080	OE C-CAP, S 15P-50 CH	ABCDEFGHIJKL..
C	458	87-010-312-080	OE C-CAP, S 15P-50 CH	ABCDEFGHIJKL..
C	442	87-010-313-080	OE CAP, CHIP 18P	ABCDEFGHIJKL..
C	448	87-010-315-080	OE C-CAP, S 27P-50 CH	ABCDEFGHIJKL..
C	502	87-010-322-080	OE C-CAP, S 100P-50 CH	ABCDEFGHIJKL..
C	503	87-010-322-080	OE C-CAP, S 100P-50 CH	ABCDEFGHIJKL..
C	504	87-010-322-080	OE C-CAP, S 100P-50 CH	ABCDEFGHIJKL..
C	505	87-010-322-080	OE C-CAP, S 100P-50 CH	ABCDEFGHIJKL..
C	506	87-010-322-080	OE C-CAP, S 100P-50 CH	ABCDEFGHIJKL..
C	406	87-010-374-080	OE CAP, ELECT 47-10V	ABCDEFGHIJKL..
C	432	87-010-374-080	OE CAP, ELECT 47-10V	ABCDEFGHIJKL..
C	436	87-010-374-080	OE CAP, ELECT 47-10V	ABCDEFGHIJKL..
C	412	87-010-401-080	OE CAP, ELECT 1-50V	ABCDEFGHIJKL..
C	433	87-010-401-080	OE CAP, ELECT 1-50V	ABCDEFGHIJKL..
C	401	87-010-403-080	OE CAP, ELECT 3.3-50V	ABCDEFGHIJKL..
C	437	87-010-404-080	OE CAP, ELECT 4.7-50V	ABCDEFGHIJKL..
C	465	87-010-404-080	OE CAP, ELECT 4.7-50V	ABCDEFGHIJKL..
C	414	87-010-405-080	OE CAP, ELECT 10-50V	ABCDEFGHIJKL..
C	481	87-010-405-080	OE CAP, ELECT 10-50V	ABCDEFGHIJKL..
C	482	87-010-405-080	OE CAP, ELECT 10-50V	ABCDEFGHIJKL..
C	470	87-010-544-080	OE CAP, ELECT 0.1-50V	ABCDEFGHIJKL..
C	416	87-010-545-080	OE CAP, ELECT 0.22-50V	ABCDEFGHIJKL..
C	431	87-010-545-080	OE CAP, ELECT 0.22-50V	ABCDEFGHIJKL..
C	423	87-010-992-080	OE C-CAP, S 0.047-25 B	ABCDEFGHIJKL..
C	450	87-012-140-080	OE CAP 470P	ABCDEFGHIJKL..
C	469	87-012-154-080	OE C-CAP, S 150P-50 CH	ABCDEFGHIJKL..
C	430	87-012-156-080	OE C-CAP, S 220P-50 CH	ABCDEFGHIJKL..
C	451	87-012-156-080	OE C-CAP, S 220P-50 CH	ABCDEFGHIJKL..
C	417	87-012-157-080	OE C-CAP, S 330P-50 CH	ABCDEFGHIJKL..
C	445	87-012-368-080	OE C-CAP, S 0.1-50 F	ABCDEFGHIJKL..
C	446	87-012-368-080	OE C-CAP, S 0.1-50 F	ABCDEFGHIJKL..
C	447	87-012-368-080	OE C-CAP, S 0.1-50 F	ABCDEFGHIJKL..
C	466	87-012-368-080	OE C-CAP, S 0.1-50 F	ABCDEFGHIJKL..
C	489	87-012-368-080	OE C-CAP, S 0.1-50 F	ABCDEFGHIJKL..
C	490	87-012-368-080	OE C-CAP, S 0.1-50 F	ABCDEFGHIJKL..
C	501	87-012-368-080	OE C-CAP, S 0.1-50 F	ABCDEFGHIJKL..
C	471	87-015-785-080	OE CHIP CAPACITOR, 0.1FZ-25Z	ABCDEFGHIJKL..
C	472	87-015-785-080	OE CHIP CAPACITOR, 0.1FZ-25Z	ABCDEFGHIJKL..
C	473	87-015-785-080	OE CHIP CAPACITOR, 0.1FZ-25Z	ABCDEFGHIJKL..
C	474	87-015-785-080	OE CHIP CAPACITOR, 0.1FZ-25Z	ABCDEFGHIJKL..
C	460	87-015-819-080	OE CAPACITOR, 0.01	ABCDEFGHIJKL..
C	413	87-016-369-080	OE C-CAP, S 0.033-25 B K	ABCDEFGHIJKL..
C	420	87-016-369-080	OE C-CAP, S 0.033-25 B K	ABCDEFGHIJKL..
C	438	87-016-669-080	OE C-CAP, S 0.1-25 K B	ABCDEFGHIJKL..
C	510	87-016-669-080	OE C-CAP, S 0.1-25 K B	ABCDEFGHIJKL..
SFR	430	87-024-437-080	OE SFR100K, RH063EC	ABCDEFGHIJKL..
Q	403	87-026-295-080	OE TR, DTC144TK	ABCDEFGHIJKL..
Q	406	87-026-295-080	OE TR, DTC144TK	ABCDEFGHIJKL..
Q	407	87-026-295-080	OE TR, DTC144TK	ABCDEFGHIJKL..
Q	408	87-026-295-080	OE TR, DTC144TK	ABCDEFGHIJKL..
D	401	87-070-345-080	OE DIODE, IN4148	ABCDEFGHIJKL..
D	402	87-070-345-080	OE DIODE, IN4148	ABCDEFGHIJKL..
D	403	87-070-345-080	OE DIODE, IN4148	ABCDEFGHIJKL..
CN	403	87-099-201-010	OE CONN, 8P 6216 H	ABCDEFGHIJKL..
C	411	87-A11-177-080	OE C-CAP, S 0.15-16 K B	ABCDEFGHIJKL..
C	421	87-A11-177-080	OE C-CAP, S 0.15-16 K B	ABCDEFGHIJKL..
C	419	87-A11-608-080	OE C-CAP, S 0.33-25 K B	ABCDEFGHIJKL..
C	426	87-A11-608-080	OE C-CAP, S 0.33-25 K B	ABCDEFGHIJKL..
IC	401	87-A20-446-010	1E C-IC, LA9241ML	ABCDEFGHIJKL..
IC	402	87-A20-459-010	2A C-IC, LC78622ED	ABCDEFGHIJKL..
IC	404	87-A21-093-010	1C IC, LA6541D	ABCDEFGHIJKL..
CN	205	87-A60-109-010	OE CONN, 2P V S2M-2W	ABCDEFGHIJKL..

ELECTRICAL MAIN PARTS LIST - 6

CN	401	87-A60-424-010	0E	CONN,16P V TOC-B	ABCDEFGHIJKLM.....
Q	401	89-109-332-380	0E	TR,2SA933RS	ABCDEFGHIJKLM.....
Q	402	89-113-187-080	0E	TR,2SA1318TU	ABCDEFGHIJKLM.....
CNA	402	8A-CDA-625-010	1A	CONN ASSY,6P CD-ME	ABCDEFGHIJKLM.....
X	401	8Z-CD5-633-010		VIB, CER16.93MHZ FCR16.93M2	ABCDEFGHIJKLM.....
L	401	87-003-102-080		COIL, 10UHNOPQR..
L	404	87-003-152-080		COIL, 100UHNOPQR..
C	440	87-010-145-080		C-CAP,S 1P-50 CHNOPQR..
C	425	87-010-176-080		C-CAP,S 680P-50 SLNOPQR..
C	407	87-010-178-080		CHIP CAP 1000PNOPQR..
C	439	87-010-178-080		CHIP CAP 1000PNOPQR..
C	493	87-010-180-080		C-CER 1500PO.....
C	422	87-010-184-080		CHIP CAPACITOR 3300P(K)NOPQR..
C	434	87-010-184-080		CHIP CAPACITOR 3300P(K)NOPQR..
C	429	87-010-186-080		CAP,CHIP 4700PNOPQR..
C	494	87-010-197-080		CAP, CHIP 0.01 DMNOPQR..
C	408	87-010-198-080		CAP, CHIP 0.022NOPQR..
C	418	87-010-213-080		C-CAP,S 0.015-50 BNOPQR..
C	480	87-010-221-080		CAP, ELECT 470-10VNOPQR..
C	476	87-010-236-080		CAP,E 1000-10 SMENOPQR..
C	455	87-010-247-080		CAP, ELECT 100-50VNOPQR..
C	404	87-010-248-080		CAP, ELECT 220-10VNOPQR..
C	409	87-010-248-080		CAP, ELECT 220-10VNOPQR..
C	462	87-010-248-080		CAP, ELECT 220-10VNOPQR..
C	403	87-010-263-080		CAP, ELECT 100-10VNOPQR..
C	410	87-010-263-080		CAP, ELECT 100-10VNOPQR..
C	459	87-010-263-080		CAP, ELECT 100-10VNOPQR..
C	467	87-010-263-080		CAP, ELECT 100-10VNOPQR..
C	478	87-010-263-080		CAP, ELECT 100-10VNOPQR..
C	457	87-010-312-080		C-CAP,S 15P-50 CHNOPQR..
C	458	87-010-312-080		C-CAP,S 15P-50 CHNOPQR..
C	442	87-010-313-080		CAP, CHIP 18PNOPQR..
C	448	87-010-315-080		C-CAP,S 27P-50 CHNOPQR..
C	502	87-010-322-080		C-CAP,S 100P-50 CHNOPQR..
C	503	87-010-322-080		C-CAP,S 100P-50 CHNOPQR..
C	504	87-010-322-080		C-CAP,S 100P-50 CHNOPQR..
C	505	87-010-322-080		C-CAP,S 100P-50 CHNOPQR..
C	506	87-010-322-080		C-CAP,S 100P-50 CHNOPQR..
C	406	87-010-374-080		CAP, ELECT 47-10VNOPQR..
C	432	87-010-374-080		CAP, ELECT 47-10VNOPQR..
C	436	87-010-374-080		CAP, ELECT 47-10VNOPQR..
C	412	87-010-401-080		CAP, ELECT 1-50VNOPQR..
C	433	87-010-401-080		CAP, ELECT 1-50VNOPQR..
C	401	87-010-403-080		CAP, ELECT 3.3-50VNOPQR..
C	437	87-010-404-080		CAP, ELECT 4.7-50VNOPQR..
C	465	87-010-404-080		CAP, ELECT 4.7-50VNOPQR..
C	414	87-010-405-080		CAP, ELECT 10-50VNOPQR..
C	481	87-010-405-080		CAP, ELECT 10-50VNOPQR..
C	482	87-010-405-080		CAP, ELECT 10-50VNOPQR..
C	470	87-010-544-080		CAP, ELECT 0.1-50VNOPQR..
C	416	87-010-545-080		CAP, ELECT 0.22-50VNOPQR..
C	431	87-010-545-080		CAP, ELECT 0.22-50VNOPQR..
C	423	87-010-992-080		C-CAP,S 0.047-25 BNOPQR..
C	450	87-012-140-080		CAP 470PNOPQR..
C	469	87-012-154-080		C-CAP,S 150P-50 CHNOPQR..
C	430	87-012-156-080		C-CAP,S 220P-50 CHNOPQR..
C	451	87-012-156-080		C-CAP,S 220P-50 CHNOPQR..
C	417	87-012-157-080		C-CAP,S 330P-50 CHNOPQR..
C	445	87-012-368-080		C-CAP,S 0.1-50 FNOPQR..
C	446	87-012-368-080		C-CAP,S 0.1-50 FNOPQR..
C	447	87-012-368-080		C-CAP,S 0.1-50 FNOPQR..
C	466	87-012-368-080		C-CAP,S 0.1-50 FNOPQR..
C	489	87-012-368-080		C-CAP,S 0.1-50 FNOPQR..
C	490	87-012-368-080		C-CAP,S 0.1-50 FNOPQR..
C	501	87-012-368-080		C-CAP,S 0.1-50 FNOPQR..
C	471	87-015-785-080		CHIP CAPACITOR, 0.1FZ-25ZNOPQR..
C	472	87-015-785-080		CHIP CAPACITOR, 0.1FZ-25ZNOPQR..
C	473	87-015-785-080		CHIP CAPACITOR, 0.1FZ-25ZNOPQR..
C	474	87-015-785-080		CHIP CAPACITOR, 0.1FZ-25ZNOPQR..
C	460	87-015-819-080		CAPACITOR,0.01NOPQR..
C	413	87-016-369-080		C-CAP,S 0.033-25 B KNOPQR..
C	420	87-016-369-080		C-CAP,S 0.033-25 B KNOPQR..
C	438	87-016-669-080		C-CAP,S 0.1-25 K BNOPQR..
C	510	87-016-669-080		C-CAP,S 0.1-25 K BNOPQR..
SFR	430	87-024-437-080		SFR100K,RH063ECNOPQR..
Q	403	87-026-295-080		TR,DTC144TKNOPQR..
Q	406	87-026-295-080		TR,DTC144TKNOPQR..
Q	407	87-026-295-080		TR,DTC144TKNOPQR..
Q	408	87-026-295-080		TR,DTC144TKNOPQR..
D	401	87-070-345-080		DIODE,IN4148NOPQR..
D	402	87-070-345-080		DIODE,IN4148NOPQR..
D	403	87-070-345-080		DIODE,IN4148NOPQR..
CN	403	87-099-201-010		CONN,8P 6216 HNOPQR..
C	411	87-A11-177-080		C-CAP,S 0.15-16 K BNOPQR..
C	421	87-A11-177-080		C-CAP,S 0.15-16 K BNOPQR..
C	419	87-A11-608-080		C-CAP,S 0.33-25 K BNOPQR..
C	426	87-A11-608-080		C-CAP,S 0.33-25 K BNOPQR..
IC	401	87-A20-446-010		C-IC,LA9241MLNOPQR..
IC	402	87-A20-459-010		C-IC,LC78622EDNOPQR..
IC	404	87-A21-093-010		IC,LA6541DNOPQR..
CN	205	87-A60-109-010		CONN,2P V S2M-2WNOPQR..
CN	401	87-A60-424-010		CONN,16P V TOC-BNOPQR..
Q	401	89-109-332-380		TR,2SA933RSNOPQR..

ELECTRICAL MAIN PARTS LIST - 7

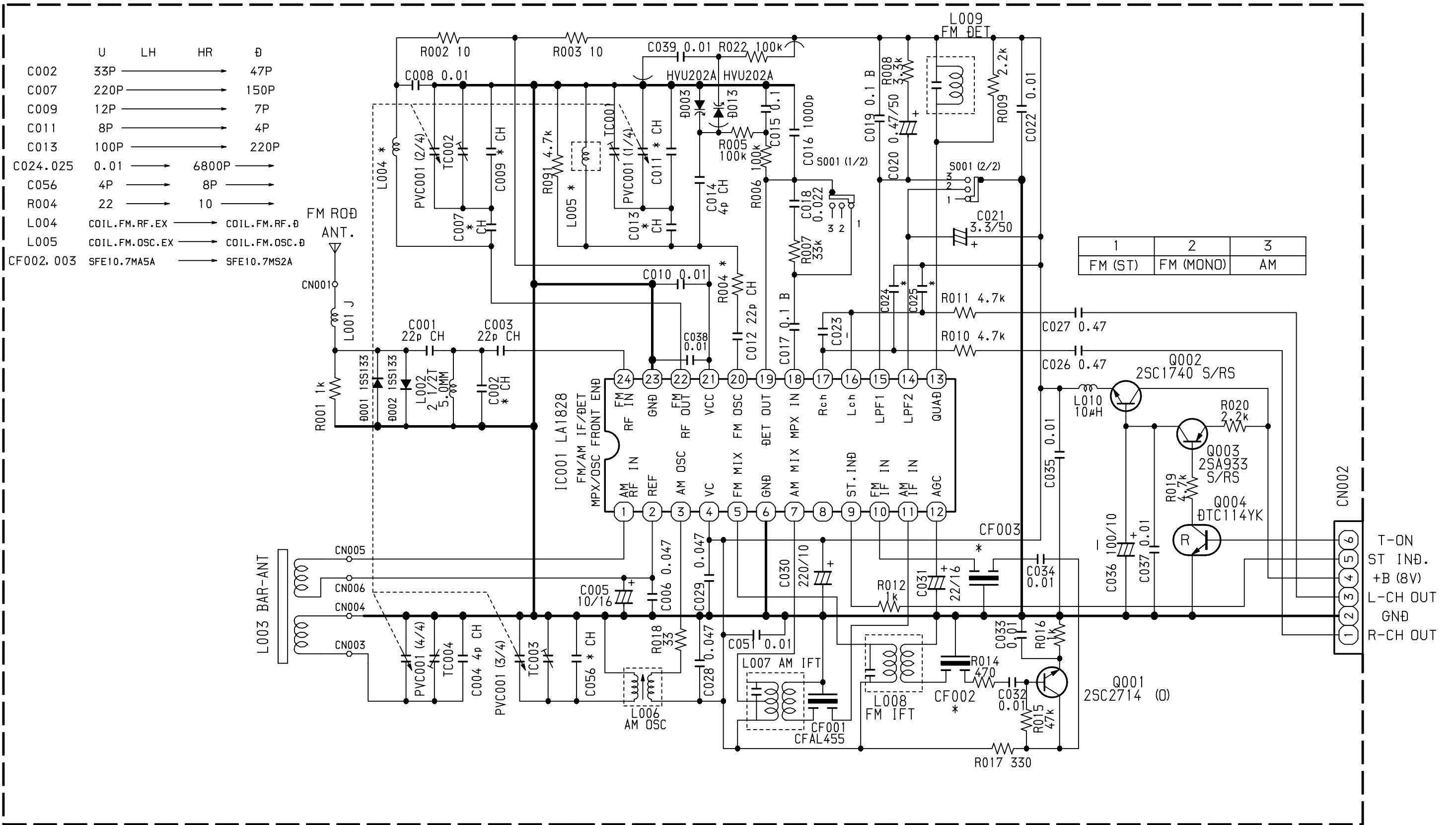
Q	402	89-113-187-080	TR,2SA1318TUNOPQR..
CNA	402	8A-CDA-625-010	CONN ASSY,6P CD-MENOPQR..
X	401	8Z-CD5-633-010	VIB, CER16.93MHZ FCR16.93M2NOPQR..
C	491	87-010-197-080	OE CAP, CHIP 0.01 DM	ABCDEFGHIJKLM.
C	492	87-010-221-080	OE CAP, ELECT 470-10V	ABCDEFGHIJKLM.
Q	492	87-026-291-080	1A TR,DTC124XS	ABCDEFGHIJKLM.
D	494	87-070-345-080	OE DIODE,IN4148	ABCDEFGHIJKLM.
Q	491	89-112-965-080	OE TR,2SA1296 (0.75W)	ABCDEFGHIJKLM.
C	491	87-010-197-080	CAP, CHIP 0.01 DMNOPQR..
C	492	87-010-221-080	CAP, ELECT 470-10VNOPQR..
Q	492	87-026-291-080	TR,DTC124XSNOPQR..
D	494	87-070-345-080	DIODE,IN4148NOPQR..
Q	491	89-112-965-080	TR,2SA1296 (0.75W)NOPQR..
CF	2	82-785-747-010	1A CF MS2 GHY R
CF	3	82-785-747-010	1A CF MS2 GHY R
L	41	87-005-847-080	OE COIL,2.2UH(CECS)	.B.....
L	42	87-005-847-080	OE COIL,2.2UH(CECS)	.B.....
L	10	87-005-849-080	OE COIL,10UH(CECS)	ABCDEFGHIJKLM.
CF	2	87-008-261-010	1A FILTER, SFE10.7MA5-A	ABCDEFGHIJKLM.
CF	3	87-008-261-010	1A FILTER, SFE10.7MA5-A	ABCDEFGHIJKLM.
C	4	87-010-148-080	OE CAP, CHIP S 75P SL	ABCDEFGHIJKLM.
C	42	87-010-150-080	OE C-CAP,S 6P-50 CH	...DEFGH.JKL.....
C	9	87-010-151-080	OE C-CAP,S 7P-50 CH
C	56	87-010-152-080	OE C-CAP,S 8P-50 CH	ABCDEFGHIJKLM.
C	41	87-010-154-080	OE CAP CHIP 10P	.B.....
C	16	87-010-178-080	OE CHIP CAP 1000P	ABCDEFGHIJKLM.
C	8	87-010-197-080	OE CAP, CHIP 0.01 DM	ABCDEFGHIJKLM.
C	10	87-010-197-080	OE CAP, CHIP 0.01 DM	ABCDEFGHIJKLM.
C	22	87-010-197-080	OE CAP, CHIP 0.01 DM	ABCDEFGHIJKLM.
C	32	87-010-197-080	OE CAP, CHIP 0.01 DM	ABCDEFGHIJKLM.
C	33	87-010-197-080	OE CAP, CHIP 0.01 DM	ABCDEFGHIJKLM.
C	34	87-010-197-080	OE CAP, CHIP 0.01 DM	ABCDEFGHIJKLM.
C	35	87-010-197-080	OE CAP, CHIP 0.01 DM	ABCDEFGHIJKLM.
C	37	87-010-197-080	OE CAP, CHIP 0.01 DM	ABCDEFGHIJKLM.
C	38	87-010-197-080	OE CAP, CHIP 0.01 DM	ABCDEFGHIJKLM.
C	51	87-010-197-080	OE CAP, CHIP 0.01 DM	ABCDEFGHIJKLM.
C	18	87-010-198-080	OE CAP, CHIP 0.022	ABCDEFGHIJKLM.
C	30	87-010-248-080	OE CAP, ELECT 220-10V	ABCDEFGHIJKLM.
C	36	87-010-263-080	OE CAP, ELECT 100-10V	ABCDEFGHIJKLM.
C	44	87-010-302-080	OE C-CAP,S 270P-50CH	.B.....
C	9	87-010-311-080	OE CAP 12P	ABCDEFGHIJKLM.
C	1	87-010-313-080	OE CAP, CHIP 18P
C	3	87-010-313-080	OE CAP, CHIP 18P
C	1	87-010-314-080	OE C-CAP,S 22P-50V	ABCDEFGHIJKLM.
C	3	87-010-314-080	OE C-CAP,S 22P-50V	ABCDEFGHIJKLM.
C	12	87-010-314-080	OE C-CAP,S 22P-50V	ABCDEFGHIJKLM.
C	2	87-010-316-080	OE C-CAP,S 33P-50 CH	ABCDEFGHIJKLM.
C	2	87-010-318-080	OE C-CAP,S 47P-50 CH
C	41	87-010-321-080	OE CHIP CAPACITOR,82P(J)	...DEFGH.JKL.....
C	13	87-010-322-080	OE C-CAP,S 100P-50 CH	ABCDEFGHIJKLM.
C	5	87-010-378-080	OE CAP, ELECT 10-16V	ABCDEFGHIJKLM.
C	31	87-010-379-080	OE CAP, ELECT 22-16V	ABCDEFGHIJKLM.
C	20	87-010-400-080	OE CAP, ELECT 0.47-50V	ABCDEFGHIJKLM.
C	21	87-010-403-080	OE CAP, ELECT 3.3-50V	ABCDEFGHIJKLM.
C	6	87-010-992-080	OE C-CAP,S 0.047-25 B	ABCDEFGHIJKLM.
C	8	87-010-992-080	OE C-CAP,S 0.047-25 B	ABCDEFGHIJKLM.
C	28	87-010-992-080	OE C-CAP,S 0.047-25 B	ABCDEFGHIJKLM.
C	29	87-010-992-080	OE C-CAP,S 0.047-25 B	ABCDEFGHIJKLM.
C	63	87-010-992-080	OE C-CAP,S 0.047-25 B	ABCDEFGHIJKLM.
TC	5	87-011-253-080	OE TRIMER,30P LAR	...DEFGH.JKL.....
TC	6	87-011-253-080	OE TRIMER,30P LAR	...DEFGH.JKL.....
C	44	87-012-140-080	OE CAP 470P	...DEFGH.JKL.....
C	7	87-012-154-080	OE C-CAP,S 150P-50 CH
C	7	87-012-156-080	OE C-CAP,S 220P-50 CH	ABCDEFGHIJKLM.
C	26	87-012-358-080	OE C-CAP,S 0.47-10 F Z	ABCDEFGHIJKLM.
C	27	87-012-358-080	OE C-CAP,S 0.47-10 F Z	ABCDEFGHIJKLM.
C	45	87-015-786-080	OE CHIP CAPACITOR, 0.0033BK	.B.....
C	15	87-016-669-080	OE C-CAP,S 0.1-25 K B	ABCDEFGHIJKLM.
C	17	87-016-669-080	OE C-CAP,S 0.1-25 K B	ABCDEFGHIJKLM.
C	19	87-016-669-080	OE C-CAP,S 0.1-25 K B	ABCDEFGHIJKLM.
C	55	87-018-145-080	OE CAP,TC-U 6.8P-50 CH	.B.....
D	1	87-020-465-080	OE DIODE,1SS133 (110MA)	ABCDEFGHIJKLM.
D	2	87-020-465-080	OE DIODE,1SS133 (110MA)	ABCDEFGHIJKLM.
Q	4	87-026-213-080	OE CHIP-TR,DTC114YK	ABCDEFGHIJKLM.
Q	2	87-026-447-080	OE TR,2SC1740S R	ABCDEFGHIJKLM.
Q	3	87-026-463-080	OE TR,2SA933S (0.3W)	ABCDEFGHIJKLM.
C	46	87-A11-523-080	OE C-CAP,S 1200P-50 J B	.B.....
IC	1	87-A20-955-010	1C IC,LA1828	ABCDEFGHIJKLM.
D	13	87-A40-128-080	OE C-VARI-CAP,HVU202A	ABCDEFGHIJKLM.
D	52	87-A40-645-040	OE C-DIODE,HSU277
D	53	87-A40-645-040	OE C-DIODE,HSU277
D	56	87-A40-645-040	OE C-DIODE,HSU277
D	61	87-A40-645-040	OE C-DIODE,HSU277
L	8	87-A50-335-010	1A COIL,FM IFT (TOKO)	ABCDEFGHIJKLM.
L	17	87-A50-337-010	1A COIL,AM OSC (TOKO)	A.CDEFGHIJKLM.
L	2	87-A50-560-010	OE COIL,FM BPF(ACD)	ABCDEFGHIJKLM.
L	4	87-A50-561-010	OE COIL,FM RF D(ACD)
L	4	87-A50-562-010	OE COIL,FM RF EX(ACD)	ABCDEFGHIJKLM.
L	5	87-A50-563-010	OE COIL,FM OSC D(ACD)
L	5	87-A50-564-010	OE COIL,FM OSC EX(ACD)	ABCDEFGHIJKLM.
L	16	87-A50-569-010	OE COIL,LW OSC-ACD(COI)	...DEFGH.JKL.....
L	17	87-A50-570-010	OE COIL,SW OSC(ACD)	.B.....
L	11	87-A50-571-010	OE COIL,SW ANT(ACD)	.B.....

ELECTRICAL MAIN PARTS LIST - 8

L	6	87-A50-576-010	COIL,MW OSC-HE(ACD)	.B.....
L	9	87-A50-577-010	1A COIL,FM DET(ACD)	ABCDEFGHIJKLM.....
L	7	87-A50-579-010	0E COIL,AM IFT(ACD)	ABCDEFGHIJKLM.....
CN	2	87-A60-116-010	CONN,6P H S2M-6WR	ABCDEFGHIJKLM.....
CF	1	87-A90-128-010	0E FLTR,AM IF CFAL-455	ABCDEFGHIJKLM.....
VC	1	87-A91-167-010	TUN-CAP,20P-160P FA-22125 N000	.C.....
VC	1	87-A91-169-010	1D TUN-CAP,40P-140P FA-22124 AN00
VC	1	87-A91-170-010	TUN-CAP,20P-335P FA-2217 N000-	.B.....
S	1	87-A91-548-010	0E SW,SL-2-3 SK23E01G06	A.C.....I.....M.....
S	1	87-A91-549-010	1A SW,SL-6-4 SK64D01G06	.B.DEFGH.JKL.....
VC	1	87-A91-635-010	1D TUN-CAP,20P-140P E-ACD(MITSUMI)	A..DEFGH.JKLM.....
TC	6	87-A91-655-010	TRIMMER,6P 4.0X4.5 ECRL	.B.....
TC	7	87-A91-655-010	TRIMMER,6P 4.0X4.5 ECRL	.B.....
		88-CD6-661-010	HLD,DR,BAR ANT.	ABCDEFGHIJKLM.....
Q	1	89-319-233-080	0E TR,2SC1923 (0.1W)
Q	1	89-327-143-080	0E TR,2SC2714 (0.1W)	ABCDEFGHIJKLM.....
L	3	8A-CD9-660-010	1B BAR-ANT,MW 2B-ACD(COI)	A.C.....I.....M.....
L	3	8A-CD9-661-010	BAR-ANT,MW/LW 3B-ACD(COI)	.B.DEFGH.JKL.....
L	10	87-005-849-080	COIL,10UH(CECS)NOPQR..
CF	2	87-008-261-010	FILTER, SFE10.7MA5-ANOPQR..
CF	3	87-008-261-010	FILTER, SFE10.7MA5-ANOPQR..
C	4	87-010-148-080	CAP,CHIP S 75P SLNOPQR..
C	42	87-010-150-080	C-CAP,S 6P-50 CHP.....
C	11	87-010-152-080	C-CAP,S 8P-50 CHNOPQR..
C	16	87-010-178-080	CHIP CAP 1000PNOPQR..
C	24	87-010-188-080	CAP,CHIP 6800PP.....
C	25	87-010-188-080	CAP,CHIP 6800PP.....
C	8	87-010-197-080	CAP,CHIP 0.01 DMNOPQR..
C	10	87-010-197-080	CAP,CHIP 0.01 DMNOPQR..
C	22	87-010-197-080	CAP,CHIP 0.01 DMNOPQR..
C	32	87-010-197-080	CAP,CHIP 0.01 DMNOPQR..
C	33	87-010-197-080	CAP,CHIP 0.01 DMNOPQR..
C	34	87-010-197-080	CAP,CHIP 0.01 DMNOPQR..
C	35	87-010-197-080	CAP,CHIP 0.01 DMNOPQR..
C	37	87-010-197-080	CAP,CHIP 0.01 DMNOPQR..
C	38	87-010-197-080	CAP,CHIP 0.01 DMNOPQR..
C	51	87-010-197-080	CAP,CHIP 0.01 DMNOPQR..
C	18	87-010-198-080	CAP,CHIP 0.022NOPQR..
C	30	87-010-248-080	CAP,ELECT 220-10VNOPQR..
C	36	87-010-263-080	CAP,ELECT 100-10VNOPQR..
C	9	87-010-311-080	CAP 12PNOPQR..
C	1	87-010-314-080	C-CAP,S 22P-50VNOPQR..
C	3	87-010-314-080	C-CAP,S 22P-50VNOPQR..
C	12	87-010-314-080	C-CAP,S 22P-50VNOPQR..
C	2	87-010-316-080	C-CAP,S 33P-50 CHNOPQR..
C	41	87-010-321-080	CHIP CAPACITOR,82P(J)P.....
C	13	87-010-322-080	C-CAP,S 100P-50 CHNOPQR..
C	5	87-010-378-080	CAP,ELECT 10-16VNOPQR..
C	31	87-010-379-080	CAP,ELECT 22-16VNOPQR..
C	20	87-010-400-080	CAP,ELECT 0.47-50VNOPQR..
C	21	87-010-403-080	CAP,ELECT 3.3-50VNOPQR..
C	28	87-010-992-080	C-CAP,S 0.047-25 BNOPQR..
C	29	87-010-992-080	C-CAP,S 0.047-25 BNOPQR..
TC	5	87-011-253-080	TRIMER,30P LARP.....
TC	6	87-011-253-080	TRIMER,30P LARP.....
C	44	87-012-140-080	CAP 470PP.....
C	7	87-012-156-080	C-CAP,S 220P-50 CHNOPQR..
C	26	87-012-358-080	C-CAP,S 0.47-10 F ZNOPQR..
C	27	87-012-358-080	C-CAP,S 0.47-10 F ZNOPQR..
C	15	87-016-669-080	C-CAP,S 0.1-25 K BNOPQR..
C	17	87-016-669-080	C-CAP,S 0.1-25 K BNOPQR..
C	19	87-016-669-080	C-CAP,S 0.1-25 K BNOPQR..
D	1	87-020-465-080	DIODE,1SS133 (110MA)NOPQR..
D	2	87-020-465-080	DIODE,1SS133 (110MA)NOPQR..
Q	4	87-026-213-080	CHIP-TR,DTC114YKNOPQR..
Q	2	87-026-447-080	TR,2SC1740S RNOPQR..
Q	3	87-026-463-080	TR,2SA933S (0.3W)NOPQR..
IC	1	87-A20-955-010	IC,LA1828NOPQR..
D	3	87-A40-128-080	C-VARI-CAP,HVU202ANOPQR..
L	8	87-A50-335-010	COIL,FM IFT (TOKO)NOPQR..
L	17	87-A50-337-010	COIL,AM OSC (TOKO)NOPQR..
L	2	87-A50-560-010	COIL,FM BPF(ACD)NOPQR..
L	4	87-A50-562-010	COIL,FM RF EX(ACD)NOPQR..
L	5	87-A50-564-010	COIL,FM OSC EX(ACD)NOPQR..
L	16	87-A50-569-010	COIL,LW OSC-ACD(COI)P.....
L	9	87-A50-577-010	COIL,FM DET(ACD)NOPQR..
L	7	87-A50-579-010	COIL,AM IFT(ACD)NOPQR..
CN	2	87-A60-116-010	CONN,6P H S2M-6WRNOPQR..
CF	1	87-A90-128-010	FLTR,AM IF CFAL-455NOPQR..
VC	1	87-A91-167-010	TUN-CAP,20P-160P FA-22125 N000NO.QR..
S	1	87-A91-548-010	SW,SL-2-3 SK23E01G06NO.QR..
S	1	87-A91-549-010	SW,SL-6-4 SK64D01G06P.....
VC	1	87-A91-635-010	TUN-CAP,20P-140P E-ACD(MITSUMI)P.....
		88-CD6-661-010	HLD,DR,BAR ANT.NOPQR..
Q	1	89-327-143-080	TR,2SC2714 (0.1W)NOPQR..
L	3	8A-CD9-660-010	BAR-ANT,MW 2B-ACD(COI)NO.QR..
L	3	8A-CD9-661-010	BAR-ANT,MW/LW 3B-ACD(COI)P.....

SCHEMATIC DIAGRAM-1

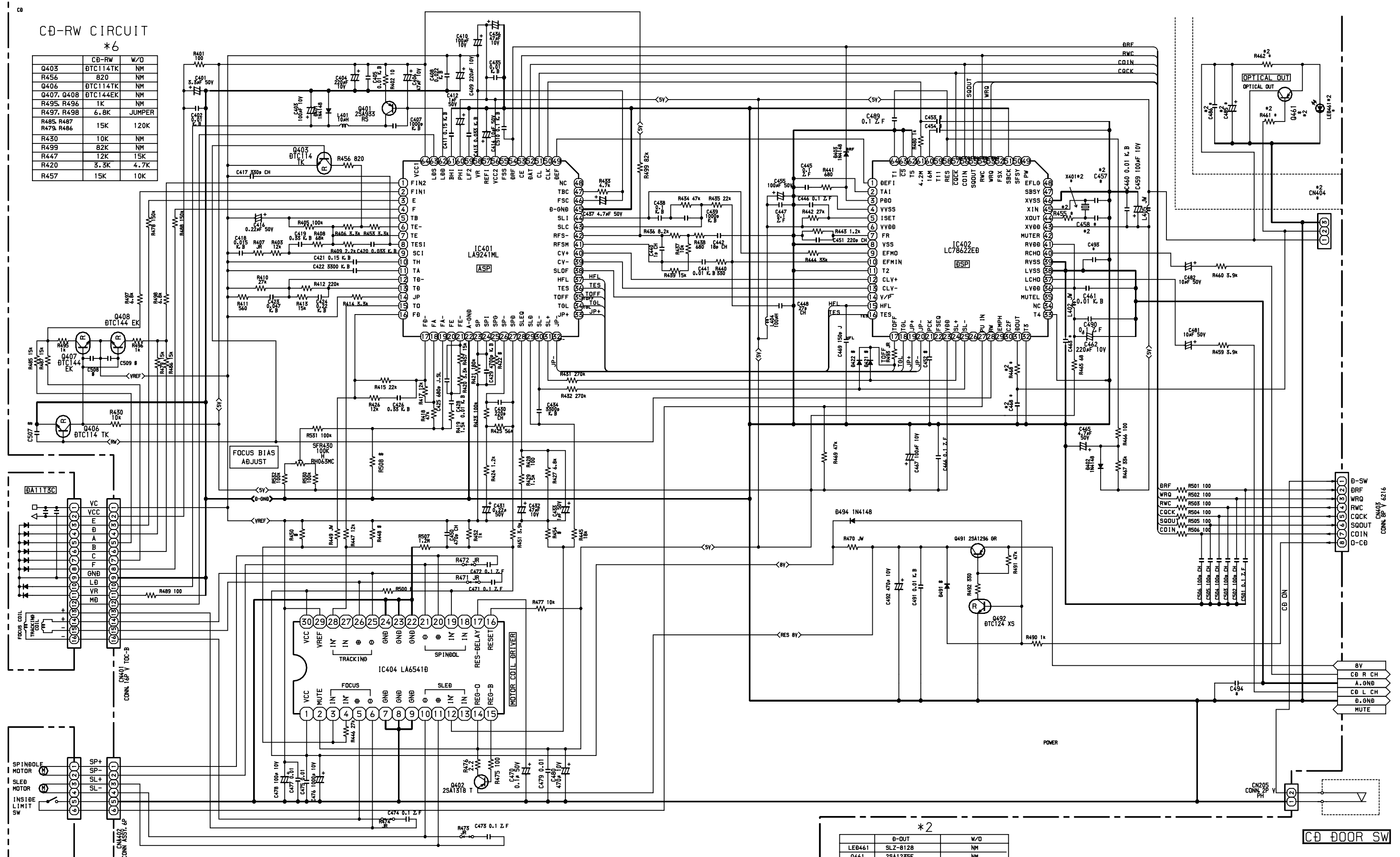
4



SCHEMATIC DIAGRAM-2

CD-RW CIRCUIT *6

	CD-RW	W/O
Q403	BT114TK	NM
R456	820	NM
Q406	BT114TK	NM
Q407, Q408	BT144EK	NM
R495, R496	1K	NM
R497, R498	6.8K	JUMPER
R485, R487	15K	120K
R479, R486	15K	120K
R430	10K	NM
R499	82K	NM
R447	12K	15K
R420	3.3K	4.7K
R457	15K	10K

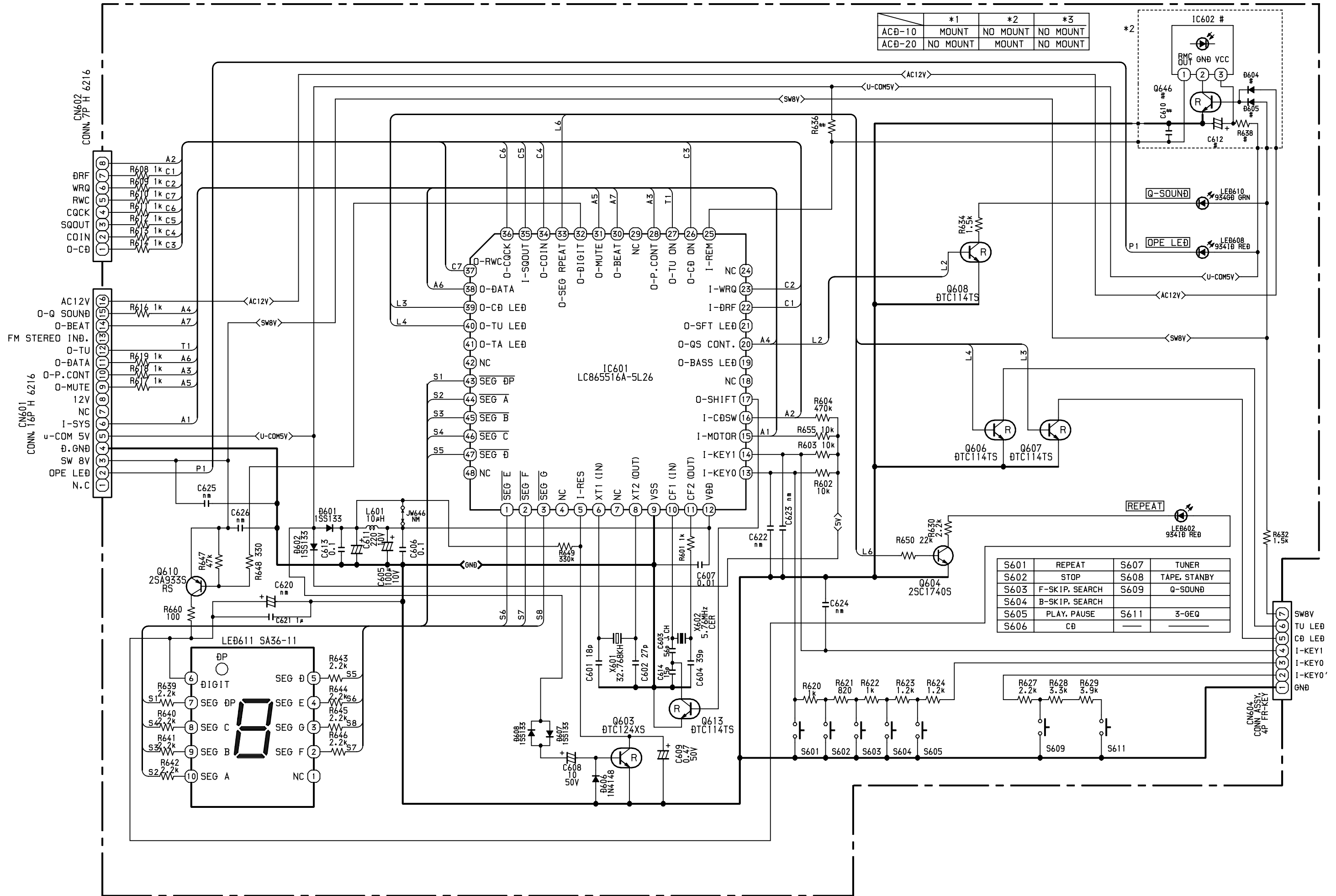


*2

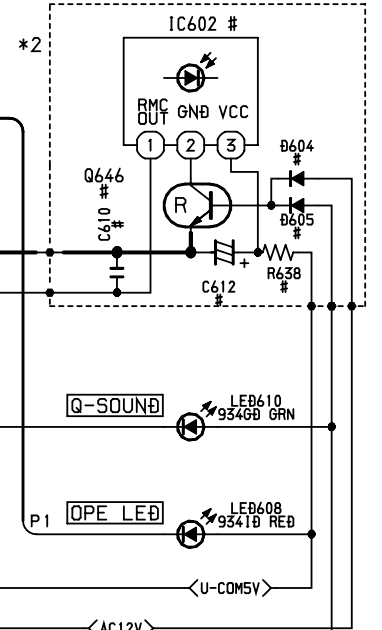
	Ø-OUT	W/O
LEB461	SLZ-8128	NM
Q461	2SA1235F	NM
R461	220	NM
R462	390	NM
C485	100/10	NM
C486	0.01	NM
C468	100P	NM
R468	100	NM
R455	1K	100
C457, C458	33P	15P
X401	VIB. X TAL16.93MHZ	VIB. CER16.93MHZ

CD DOOR SW

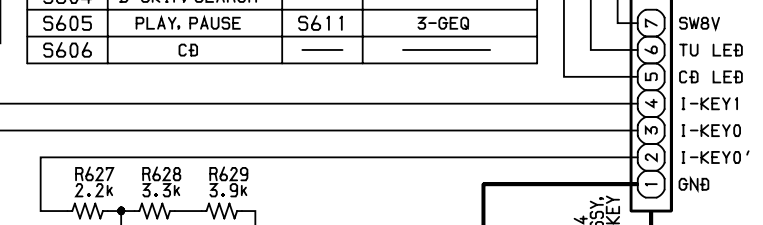
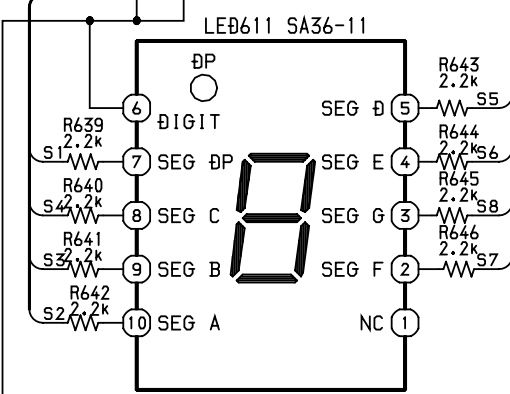
SCHEMATIC DIAGRAM-3

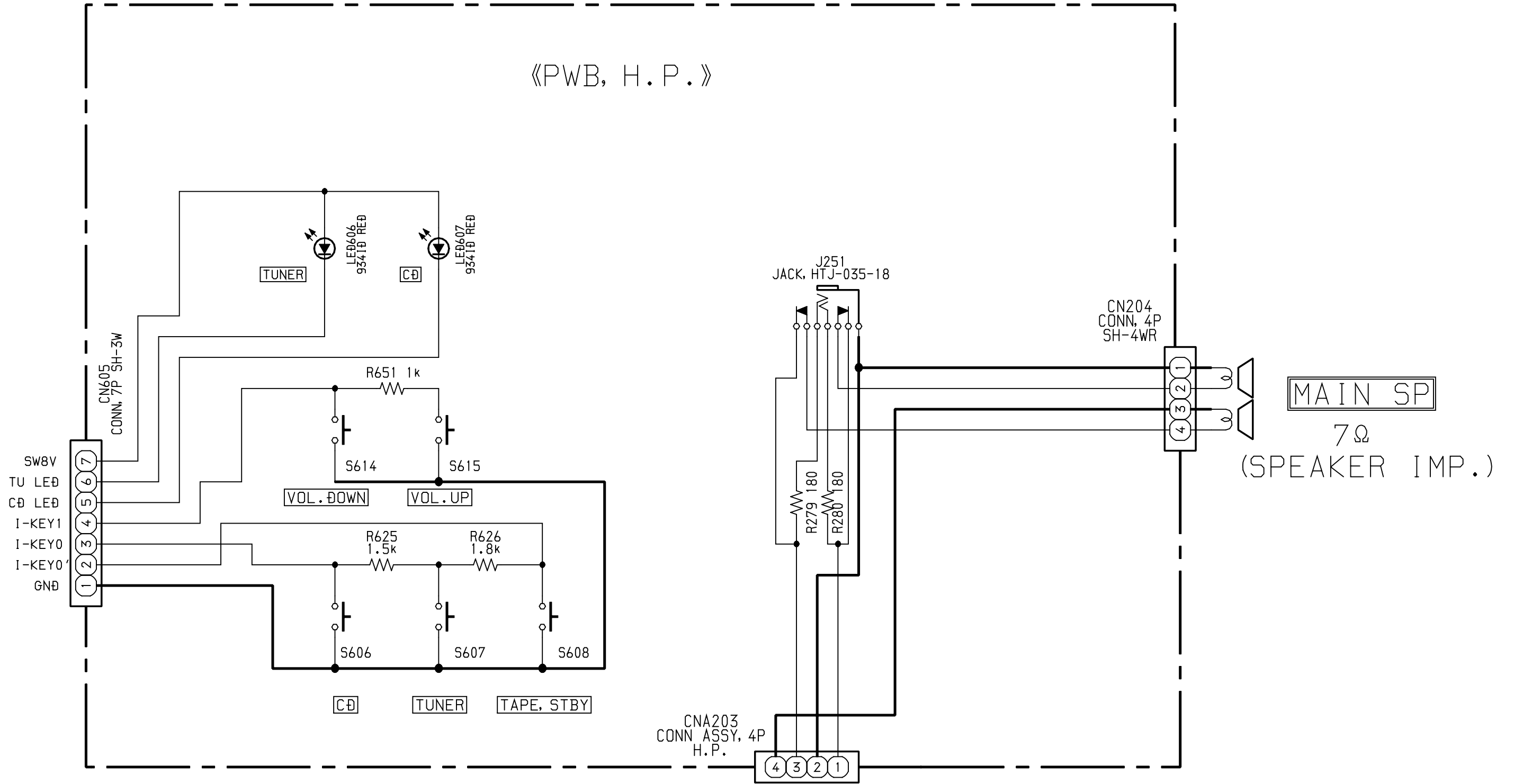


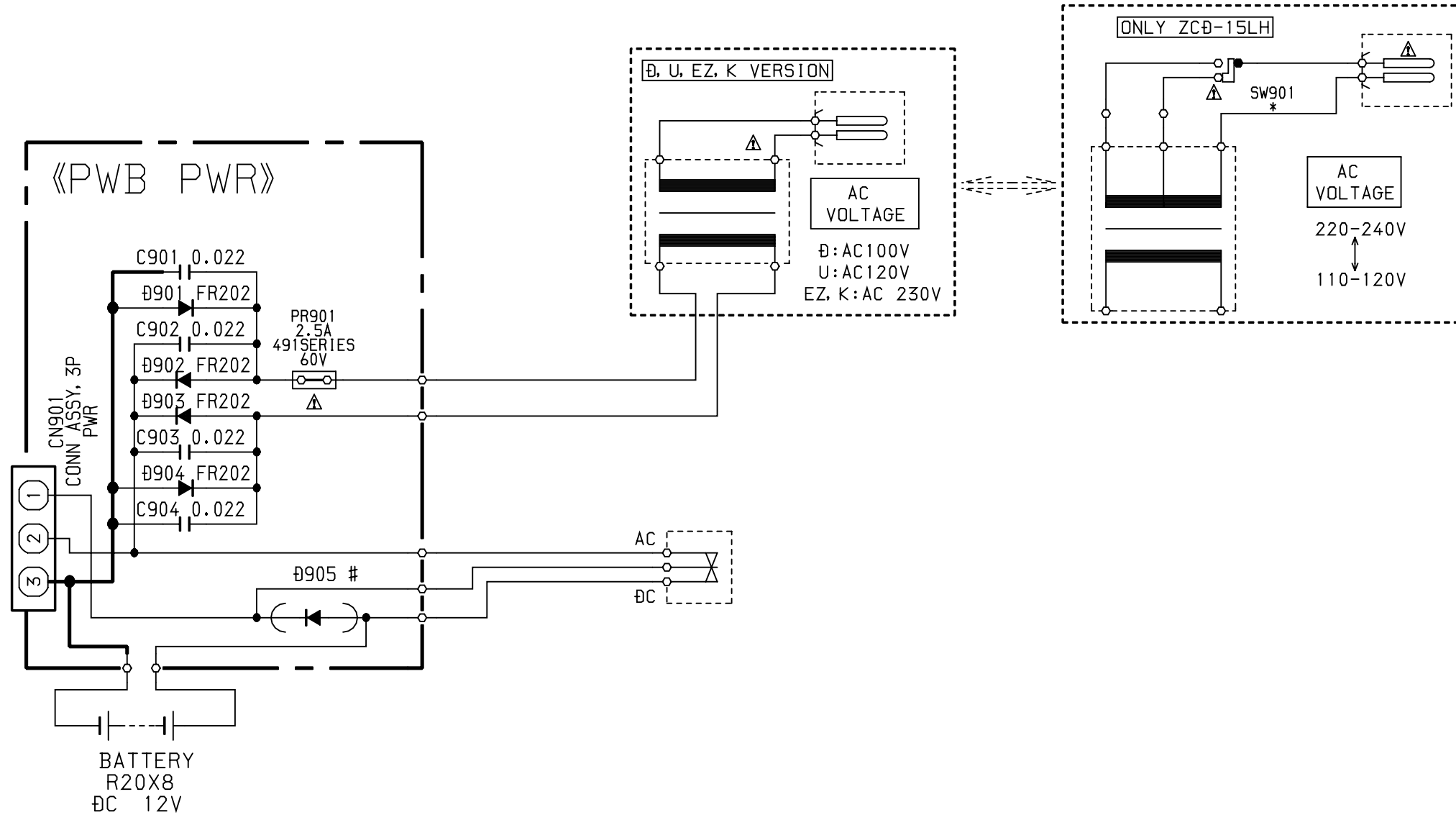
	*1	*2	*3
ACB-10	MOUNT	NO MOUNT	NO MOUNT
ACB-20	NO MOUNT	MOUNT	NO MOUNT



S601	REPEAT	S607	TUNER
S602	STOP	S608	TAPE, STANBY
S603	F-SKIP, SEARCH	S609	Q-SOUND
S604	B-SKIP, SEARCH		
S605	PLAY, PAUSE	S611	3-GEQ
S606	CB		







MECHANICAL PARTS LIST - 1

NOTE: The characters in the suffix column indicate the part usage.

REF.NO	PARTS NO.	NO.	DESCRIPTION	SUFFIX
	100HRJ(S)	XX		M
	87-B00-010-010	0E	BADGE,AIWA 30.5-5.2 S 2.5L	ABCDEFGHIJKLM
*	8A-CDA-002-010	0E	CABI,REAR	..C..F
	8A-CDA-003-010	0E	LID,CASS	ABCDEF..IJK.M
	8A-CDA-004-010	0E	LID,CD	A.C.E...JK
	8A-CDA-005-010	0E	LID,BATT	ABCDEF..IJK.M
	8A-CDA-006-010	0E	WINDOW,CASS	A.C.E...JK
	8A-CDA-007-010	0E	LENS,LED	ABCDEFGHIJKLM
	8A-CDA-008-010	0E	WINDOW,LED	..C...H
	8A-CDA-009-010	0E	WINDOW,TU	..C
	8A-CDA-010-110	0E	HANDL,ARM	ABCDEF..IJK.M
	8A-CDA-011-010	0E	HANDL,COVER	ABCDEF..IJK.M
	8A-CDA-012-010	0E	CHAS,CD	ABCDEF..IJKLM
	8A-CDA-013-010	0E	POINTER,TU	ABCDEFGHIJKLM
	8A-CDA-028-010	0E	CABI ASSY,FRONT	A.C
*	8A-CDA-030-010	0E	CABI,REAR LH	A
	8A-CDA-032-010		CABI ASSY,FRONT LOWF
	8A-CDA-034-010		CABI ASSY,FRONT EZDE....K
	8A-CDA-036-010		CABI ASSY,FRONT LOW EZDE....K
	8A-CDA-037-010	2A	CABI,REAR LOW	..B.....I..M
	8A-CDA-038-010		CABI,REAR LOW LH	A....F....L
	8A-CDA-039-010		WINDOW,LED LH	..B.DE...IJK.M
	8A-CDA-042-010	1B	WINDOW,LED LOW LH
	8A-CDA-043-010		WINDOW,LED LOW DDEF...JK
	8A-CDA-044-010		WINDOW,TU D	AB.....I...M
	8A-CDA-045-010	1B	WINDOW,TU EZ	..B.....I...M
	8A-CDA-046-010		WINDOW,TU HR	..B.D.F..I..M
	8A-CDA-054-010		CABI ASSY,FRONT LOW HR	..B.D.F..I..M
	8A-CDA-061-010		LID,CD D	ABCDEF..IJK.M
	8A-CDA-062-010		WINDOW,CASS D	ABCDEF..IJK.M
	8A-CDA-016-010	0E	KEY,CD	A.C..F
	8A-CDA-017-010	0E	KEY,MODE	ABCDEF..IJK.M
	8A-CDA-018-010	0E	KEY,QSOUND	A.C..F
	8A-CDA-019-010	1A	KEY,VOL	ABCDEF..IJK.M
	8A-CDA-020-010	0E	KNOB,SL BAND	ABC.....I...M
	8A-CDA-021-010	0E	KNOB,RTRY TU	ABCDEF..IJK.M
	8A-CDA-022-010	0E	KEY,REC	ABCDEF..IJK.M
	8A-CDA-023-010	0E	KEY,PLAY	ABCDEF..IJK.M
	8A-CDA-024-010	0E	KEY,REW	ABCDEF..IJK.M
	8A-CDA-025-010	0E	KEY,FF	ABCDEF..IJK.M
	8A-CDA-026-010	0E	KEY,STOP	ABCDEF..IJK.M
	8A-CDA-027-010	0E	KEY,PAUSE	ABCDEF..IJK.M
	M8-ZZK-E90-070	2B	DA11T3C	ABCDEFGHIJKLM
	87-036-368-010	0E	MAGNET	ABCDEFGHIJKLM
	87-063-165-010	0E	OIL-DMPR 150	ABCDEFGHIJKLM
	87-064-185-010	0E	HLDR,WIRE	ABCDEFGHIJKLM
	87-NF8-220-010	0E	DMPR,150	ABCDEFGHIJKLM
	88-CD9-211-210	0E	RING,CHUCK	ABCDEFGHIJKLM
	88-CH6-220-010	0E	CUSHION,CD A	ABCDEFGHIJKLM
	8A-CDA-150-010	0E	BASE,CHUCK F/M	ABCDEFGHIJKLM
*	8A-CDA-201-010	1A	HLDR,TU	ABCDEFGHIJKLM
	8A-CDA-202-010	0E	GEAR,RELAY	ABCDEFGHIJKLM
*	8A-CDA-203-010	0E	GUIDE,GEAR	ABCDEFGHIJKLM
*	8A-CDA-206-010	0E	HLDR,SPKR	ABCDEFGHIJKLM
*	8A-CDA-207-010	0E	HLDR,CHUCK	ABCDEFGHIJKLM
*	8A-CDA-208-110	0E	HLDR,LED	ABCDEFGHIJKLM
	8A-CDA-211-010	0E	SPR-T,CD	ABCDEFGHIJKLM
	8A-CDA-212-010	0E	SPR-T,CASS	ABCDEFGHIJKLM
	8A-CDA-213-010	0E	COVER,CHUCK	ABCDEFGHIJKLM
	8A-CDA-215-010	0E	DRUM,TU	ABCDEFGHIJKLM
	8A-CDA-216-010	0E	GEAR,TU B	ABCDEFGHIJKLM
*	8A-CDA-220-010	0E	PLATE,REC	ABCDEFGHIJKLM
	8A-CDA-221-010	1A	SPR-P,REC	A.CDEFGHIJKLM
	8Z-CDB-169-010	1D	PANEL,CD SANYO	ABCDEFGHIJKLM
	87-253-033-110	0E	SCREW,U+2-4	ABCDEFGHIJKLM
	87-253-097-410	0E	U+3-12 BLK	ABCDEFGHIJKLM
	87-261-073-410	0E	V+2.6-6	ABCDEFGHIJKLM
	87-721-096-410	0E	QT2+3-10 GLD	ABCDEFGHIJKLM
	87-723-074-410	0E	QT2+2.6-8 W/O SLOT BLK	ABCDEFGHIJKLM
	87-751-076-410	0E	SCREW 2.6-12	ABCDEFGHIJKLM
	87-751-096-410	0E	VT2+3-10 GLD	ABCDEFGHIJKLM
	87-751-097-410	0E	SCREW 3X12	ABCDEFGHIJKLM
	87-751-104-410	0E	VT2+3-30	ABCDEFGHIJKLM
	8A-CDA-222-010		S-SCREW,CASS+2.6-4	ABCDEFGHIJKLM
*	8A-CK4-223-010		S-SCREW,CD	ABCDEFGHIJKLM
*	87-036-389-010	1B	SW,PUSH LOCK	ABCDEFGHIJKLM
*	87-A60-177-010	1A	JACK,AC U W/SW	..C
*	87-A60-178-010		JACK,AC E W/SW	AB.DEFGHIJKLM
*	87-A60-179-010	1A	JACK,AC D W/SW
*	87-A91-369-010	1C	SW,AC SL 2 2 2 SDKGA41700	AB.....I...M
PT 901	8A-CDA-610-010		PT,D 2.5W
PT 901	8A-CDA-611-010	1H	PT,U 2.5W	..C
PT 901	8A-CDA-612-010	1H	PT,E 2.5WDEFGH.JKL
PT 901	8A-CDA-613-010		PT,H 2.5W	AB.....I...M
	8A-CDA-620-010	1B	FF-CABLE,16P FR-MAIN	ABCDEFGHIJKLM
	8A-CDA-621-010	0E	FF-CABLE,16P CD-RF	ABCDEFGHIJKLM
	8A-CDA-622-010	1A	FF-CABLE,8P CD-FR	ABCDEFGHIJKLM
	8A-CDA-626-010		CONN ASSY,2P DOOR	ABCDEFGHIJKLM

MECHANICAL PARTS LIST - 2

	8A-CDA-630-010	CONN ASSY, 4P RPH	ABCDEFGHIJKLM.....
	8A-CDA-631-010	CONN ASSY, 4P TA-ME	ABCDEFGHIJKLM.....
	8A-CDA-633-010	CONN ASSY, 4P SP	ABCDEFGHIJKLM.....
	8A-CH4-682-010	SPKR, 10- 7OHM	ABCDEFGHIJKLM.....
	8Z-CD5-634-010	COVER, AC SOCKET	ABCDEFGHIJKLM.....
*	8Z-CH4-640-010	ANT, ROD	ABCDEFGHIJKLM.....
FC	901	87-033-213-010	CLAMP, FUSE SMK
		88-CD6-661-010	HLDR, BAR ANT.
		88-CD6-661-010	HLDR, BAR ANT.
		N..QR..
		NOPQR..

ACCESSORIES LIST

NOTE: The characters in the suffix column indicate the part usage.

100HRJ(S)XX.....M.....

REF.NO	PARTS NO.	NO.	DESCRIPTION	SUFFIX
	8A-CDA-901-010		IB,H(ECA)FM	AB.....I...M.....
	8A-CDA-903-010	1B	IB,U(ESF)FM	..C.....
	8A-CDA-904-010		IB,G(E)FM	...D.....
	8A-CDA-905-110	0E	IB,K(E)FME.....J.....
	8A-CDA-906-010	1D	IB,EZ(9L)FMFGH...KL.....
	8A-CDA-907-010		IB,V(ER)FM
	8A-CDA-908-010		IB,D(J)FM
	8A-CDA-903-010		IB,U(ESF)FMO.....
	8A-CDA-905-110		IB,K(E)FMP.....
	8A-CDL-902-010		IB,LH(ESP)FMN...Q...
	8A-CDL-912-010		IB,LH1(P)R...
	87-A80-033-010	1C	AC CORD SET,D BLK
	87-A80-034-010	2M	AC CORD SET ASSY,K W/F MAY-BGE.....J.....
	87-A80-036-010		AC CORD SET ASSY,E W/FLTR VOL	..B.D.FGHI.KL.....
	87-A80-089-010	1C	AC CORD SET,HC	A.....M.....
	87-A80-109-010	1C	AC CORD,HK7281 BLK U	..C.....
	87-A91-017-010	1A	PLUG,CONVERSION JT-0476	A.....I...M.....
	87-A80-034-010		AC CORD SET ASSY,K W/F MAY-BGP.....
	87-A80-036-010		AC CORD SET ASSY,E W/FLTR VOLN...R...
	87-A80-109-010		AC CORD,HK7281 BLK UO.....
	87-A80-119-010		AC CORD SET ASSY,AZQ.....
	87-A91-017-010		PLUG,CONVERSION JT-0476N...R...
	8Z-CDK-962-010		RC UNIT,RC-ZAT02(VS)NOPQR..



アイワ株式会社 〒110-8710 東京都台東区池之端1-2-11 ☎03(3827)3111 (代表)
AIWA CO.,LTD. 2-11, IKENOHATA 1-CHOME, TAITO-KU, TOKYO 110-8710, JAPAN TEL:03 (3827) 3111