



CSD-A510 HR(S,L),HA(S),
HT(S,L)

SERVICE MANUAL

COMPACT DISC RADIO
CASSETTE RECORDER

BASIC TAPE MECHANISM : TN-21ZVC-2000
BASIC CD MECHANISM : DA11T3C

- Replace this Service Manual with "Revision Publishing" when it is issued.

aiwa
S/M Code No. 09-003-343-2T3

SIMPLE
DATA

ELECTRICAL MAIN PARTS LIST - 1

NOTE: The characters in the suffix column indicate the part usage.

HR(S)XX.....	A.....
HT(W)XX.....	B.....
HT(L)XX.....	C.....
HA(S)XX.....	G.....
HR(L)XX.....	H.....

REF.NO	PARTS NO.	NO.	DESCRIPTION	SUFFIX
L	601	87-003-102-080	0E COIL, 10UH	ABCDEFGHIH.....
C	605	87-010-264-040	0E CAP,E 100-10 5L	ABCDEFGHIH.....
C	614	87-010-312-080	0E C-CAP,S 15P-50 CH	ABCDEFGHIH.....
C	601	87-010-313-080	0E CAP, CHIP 18P	ABCDEFGHIH.....
C	602	87-010-315-080	0E C-CAP,S 27P-50 CH	ABCDEFGHIH.....
C	604	87-010-317-010	0E CHIP CAP,S 39P CH	ABCDEFGHIH.....
C	603	87-010-319-080	0E C-CAP,S 56P-50 CH	ABCDEFGHIH.....
C	609	87-010-400-080	0E CAP, ELECT 0.47-50V	ABCDEFGHIH.....
C	608	87-010-405-080	0E CAP, ELECT 10-50V	ABCDEFGHIH.....
C	606	87-012-368-080	0E C-CAP,S 0.1-50 F	ABCDEFGHIH.....
C	613	87-012-368-080	0E C-CAP,S 0.1-50 F	ABCDEFGHIH.....
C	607	87-015-779-010	0E CHIP CAPACITOR, 0.01	ABCDEFGHIH.....
D	601	87-020-465-080	0E DIODE,1SS133 (110MA)	ABCDEFGHIH.....
D	602	87-020-465-080	0E DIODE,1SS133 (110MA)	ABCDEFGHIH.....
D	607	87-020-465-080	0E DIODE,1SS133 (110MA)	ABCDEFGHIH.....
D	608	87-020-465-080	0E DIODE,1SS133 (110MA)	ABCDEFGHIH.....
Q	603	87-026-237-080	0E CHIP-TR,DTC124XK	ABCDEFGHIH.....
Q	610	87-026-463-080	0E TR,2SA933S (0.3W)	ABCDEFGHIH.....
Q	606	87-026-464-010	0E TR,DTC114TS	ABCDEFGHIH.....
Q	607	87-026-464-010	0E TR,DTC114TS	ABCDEFGHIH.....
Q	608	87-026-464-010	0E TR,DTC114TS	ABCDEFGHIH.....
Q	609	87-026-464-010	0E TR,DTC114TS	ABCDEFGHIH.....
Q	613	87-026-464-010	0E TR,DTC114TS	ABCDEFGHIH.....
X	601	87-030-273-010	1A VIB,XTAL 32.768K5PPM	ABCDEFGHIH.....
X	602	87-030-376-080	1A VIB,CER CSA5.76MG200	ABCDEFGHIH.....
D	606	87-070-345-080	0E DIODE,IN4148	ABCDEFGHIH.....
CN	601	87-099-033-010	0E 16P 6216 H	ABCDEFGHIH.....
CN	602	87-099-201-010	0E CONN,8P 6216 H	ABCDEFGHIH.....
C	611	87-A10-189-040	0E CAP,E 220-10	ABCDEFGHIH.....
S	601	87-A90-696-080	0E SW,TACT TS2103-03-430	ABCDEFGHIH.....
S	602	87-A90-696-080	0E SW,TACT TS2103-03-430	ABCDEFGHIH.....
S	603	87-A90-696-080	0E SW,TACT TS2103-03-430	ABCDEFGHIH.....
S	604	87-A90-696-080	0E SW,TACT TS2103-03-430	ABCDEFGHIH.....
S	605	87-A90-696-080	0E SW,TACT TS2103-03-430	ABCDEFGHIH.....
S	609	87-A90-696-080	0E SW,TACT TS2103-03-430	ABCDEFGHIH.....
S	610	87-A90-696-080	0E SW,TACT TS2103-03-430	ABCDEFGHIH.....
S	611	87-A90-696-080	0E SW,TACT TS2103-03-430	ABCDEFGHIH.....
LED	611	87-CD8-616-010	LED,SA36-11 HWA-11.0	ABCDEFGHIH.....
LED	601	88-CD6-630-010	LED,934ID RED	ABCDEFGHIH.....
LED	602	88-CD6-630-010	LED,934ID RED	ABCDEFGHIH.....
LED	603	88-CD6-630-010	LED,934ID RED	ABCDEFGHIH.....
LED	606	88-CD6-630-010	LED,934ID RED	ABCDEFGHIH.....
LED	607	88-CD6-630-010	LED,934ID RED	ABCDEFGHIH.....
LED	608	88-CD6-630-010	LED,934ID RED	ABCDEFGHIH.....
LED	610	88-CD6-631-010	LED,934GD GRN	ABCDEFGHIH.....
Q	604	89-317-403-080	0E TR,2SC1740S	ABCDEFGHIH.....
IC	604	8A-CD9-610-010	1D C-IC,LC865516A-***	ABCDEFGHIH.....
CNA	604	8A-CD9-623-010	CONN ASSY,4P KEY	ABCDEFGHIH.....
CN	605	87-A60-114-010	0E CONN,4P H S2M-4WR	ABCDEFGHIH.....
J	251	87-A60-569-010	1C JACK,HTJ-035-18	ABCDEFGHIH.....
CN	204	87-A60-685-010	0E CONN,4P H WHT EH	ABCDEFGHIH.....
S	606	87-A90-696-080	0E SW,TACT TS2103-03-430	ABCDEFGHIH.....
S	607	87-A90-696-080	0E SW,TACT TS2103-03-430	ABCDEFGHIH.....
S	608	87-A90-696-080	0E SW,TACT TS2103-03-430	ABCDEFGHIH.....
S	614	87-A90-696-080	0E SW,TACT TS2103-03-430	ABCDEFGHIH.....
S	615	87-A90-696-080	0E SW,TACT TS2103-03-430	ABCDEFGHIH.....
CNA	203	8A-CD9-628-010	CONN ASSY,3P MA-HP	ABCDEFGHIH.....
C	901	87-010-192-080	0E C-CAP,S 0.022-50 F	ABCDEFGHIH.....
C	902	87-010-192-080	0E C-CAP,S 0.022-50 F	ABCDEFGHIH.....
C	903	87-010-192-080	0E C-CAP,S 0.022-50 F	ABCDEFGHIH.....
C	904	87-010-192-080	0E C-CAP,S 0.022-50 F	ABCDEFGHIH.....
D	901	87-A40-465-010	0E DIODE,FR202	ABCDEFGHIH.....
D	902	87-A40-465-010	0E DIODE,FR202	ABCDEFGHIH.....
D	903	87-A40-465-010	0E DIODE,FR202	ABCDEFGHIH.....
D	904	87-A40-465-010	0E DIODE,FR202	ABCDEFGHIH.....
PR	901	87-A90-092-080	1A PROTECTOR,2.5A 491	ABCDEFGHIH.....
SP	901	87-CD6-213-010	SPR-C,BATT (-)	ABCDEFGHIH.....
SP	902	87-CD6-213-010	SPR-C,BATT (-)	ABCDEFGHIH.....
SP	903	87-CD6-213-010	SPR-C,BATT (-)	ABCDEFGHIH.....
SP	904	87-CD6-213-010	SPR-C,BATT (-)	ABCDEFGHIH.....
CNA	901	8A-CD9-627-010	CONN ASSY,3P PWR	ABCDEFGHIH.....
C	239	87-010-197-080	0E CAP, CHIP 0.01 DM	ABCDEFGHIH.....
C	240	87-010-197-080	0E CAP, CHIP 0.01 DM	ABCDEFGHIH.....
C	231	87-010-213-080	0E C-CAP,S 0.015-50 B	ABCDEFGHIH.....
C	232	87-010-213-080	0E C-CAP,S 0.015-50 B	ABCDEFGHIH.....
C	310	87-010-248-080	0E CAP, ELECT 220-10V	ABCDEFGHIH.....
C	247	87-010-401-080	0E CAP, ELECT 1-50V	ABCDEFGHIH.....
C	248	87-010-401-080	0E CAP, ELECT 1-50V	ABCDEFGHIH.....
C	237	87-010-408-080	0E CAP, ELECT 47-50V	ABCDEFGHIH.....
C	819	87-010-426-080	0E C-CAP,S 0.012-25 B	ABCDEFGHIH.....
C	820	87-010-426-080	0E C-CAP,S 0.012-25 B	ABCDEFGHIH.....
C	211	87-010-805-080	0E CAP, S 1-16	ABCDEFGHIH.....
C	212	87-010-805-080	0E CAP, S 1-16	ABCDEFGHIH.....

ELECTRICAL MAIN PARTS LIST - 2

C	483	87-012-156-080	OE	C-CAP,S 220P-50 CH	ABCDEF GH
C	484	87-012-156-080	OE	C-CAP,S 220P-50 CH	ABCDEF GH
C	215	87-016-460-080	OE	C-CAP,S 0.22-16 B	ABCDEF GH
C	216	87-016-460-080	OE	C-CAP,S 0.22-16 B	ABCDEF GH
C	235	87-016-669-080	OE	C-CAP,S 0.1-25 K B	ABCDEF GH
C	236	87-016-669-080	OE	C-CAP,S 0.1-25 K B	ABCDEF GH
D	310	87-020-465-080	OE	DIODE,1SS133 (110MA)	ABCDEF GH
C	233	87-A10-201-080	OE	C-CAP,S0.33-16 KB	ABCDEF GH
C	234	87-A10-201-080	OE	C-CAP,S0.33-16 KB	ABCDEF GH
IC	203	87-A21-520-040	1E	C-IC,M61509FP	ABCDEF GH
C	267	87-010-112-080	OE	CAP, ELECT 100-16V	ABCDEF GH
C	268	87-010-112-080	OE	CAP, ELECT 100-16V	ABCDEF GH
C	263	87-010-178-080	OE	CHIP CAP 1000P	ABCDEF GH
C	264	87-010-178-080	OE	CHIP CAP 1000P	ABCDEF GH
C	271	87-010-237-080	1A	CAP, ELECT 1000-16V	ABCDEF GH
C	272	87-010-237-080	1A	CAP, ELECT 1000-16V	ABCDEF GH
C	265	87-010-263-080	OE	CAP, ELECT 100-10V	ABCDEF GH
C	266	87-010-263-080	OE	CAP, ELECT 100-10V	ABCDEF GH
C	279	87-010-385-080	OE	CAP, ELECT 220-25V	ABCDEF GH
C	261	87-010-402-080	OE	CAP, ELECT 2.2-50V	ABCDEF GH
C	262	87-010-402-080	OE	CAP, ELECT 2.2-50V	ABCDEF GH
C	278	87-010-405-080	OE	CAP, ELECT 10-50V	ABCDEF GH
IC	202	87-A21-064-010	1D	IC,LA4227	ABCDEF GH
CN	202	8A-CH4-689-010	OE	CONN,3P V 2.5	ABCDEF GH
C	308	87-010-221-080	OE	CAP, ELECT 470-10V	ABCDEF GH
C	311	87-010-374-080	OE	CAP, ELECT 47-10V	ABCDEF GH
C	312	87-010-385-080	OE	CAP, ELECT 220-25V	ABCDEF GH
C	307	87-010-401-080	OE	CAP, ELECT 1-50V	ABCDEF GH
C	306	87-010-404-080	OE	CAP, ELECT 4.7-50V	ABCDEF GH
C	325	87-010-405-080	OE	CAP, ELECT 10-50V	ABCDEF GH
C	301	87-016-495-000	1B	CAP,E 3300-25 M SMG	ABCDEF GH
Q	303	87-026-291-080	1A	TR,DTC124XS	ABCDEF GH
Q	305	87-026-462-080	OE	TR,2SC1740 S(RS 0.3W)	ABCDEF GH
Q	302	87-026-463-080	OE	TR,2SA933S (0.3W)	ABCDEF GH
D	311	87-027-702-080	OE	DIODE,ZENER HZ6C2L (200MA)	ABCDEF GH
D	303	87-070-345-080	OE	DIODE,IN4148	ABCDEF GH
D	305	87-070-345-080	OE	DIODE,IN4148	ABCDEF GH
D	306	87-070-345-080	OE	DIODE,IN4148	ABCDEF GH
D	304	87-A40-648-080	OE	ZENER,MTZJ8.2A	ABCDEF GH
Q	301	89-112-965-080	OE	TR,2SA1296 (0.75W)	ABCDEF GH
Q	304	89-213-702-080	1A	TR,2SB1370E	ABCDEF GH
Q	310	89-318-154-080	OE	TR,2SC1815 (0.4W)	ABCDEF GH
CN	301	8A-CH4-689-010	OE	CONN,3P V 2.5	ABCDEF GH
L	801	87-007-342-010	OE	COIL,OSC 85K BIAS	ABCDEF GH
C	811	87-010-178-080	OE	CHIP CAP 1000P	ABCDEF GH
C	812	87-010-178-080	OE	CHIP CAP 1000P	ABCDEF GH
C	823	87-010-178-080	OE	CHIP CAP 1000P	ABCDEF GH
C	824	87-010-178-080	OE	CHIP CAP 1000P	ABCDEF GH
C	829	87-010-178-080	OE	CHIP CAP 1000P	ABCDEF GH
C	830	87-010-178-080	OE	CHIP CAP 1000P	ABCDEF GH
C	845	87-010-178-080	OE	CHIP CAP 1000P	ABCDEF GH
C	852	87-010-178-080	OE	CHIP CAP 1000P	ABCDEF GH
C	816	87-010-180-080	OE	C-CER 1500P	ABCDEF GH
C	817	87-010-180-080	OE	C-CER 1500P	ABCDEF GH
C	851	87-010-186-080	OE	CAP,CHIP 4700P	ABCDEF GH
C	843	87-010-197-080	OE	CAP, CHIP 0.01 DM	ABCDEF GH
C	831	87-010-198-080	OE	CAP, CHIP 0.022	ABCDEF GH
C	801	87-010-248-080	OE	CAP, ELECT 220-10V	ABCDEF GH
C	834	87-010-248-080	OE	CAP, ELECT 220-10V	ABCDEF GH
C	30	87-010-260-080	OE	CAP, ELECT 47-25V	ABCDEF GH
C	846	87-010-263-080	OE	CAP, ELECT 100-10V	ABCDEF GH
C	835	87-010-322-080	OE	C-CAP,S 100P-50 CH	ABCDEF GH
C	836	87-010-322-080	OE	C-CAP,S 100P-50 CH	ABCDEF GH
C	821	87-010-401-080	OE	CAP, ELECT 1-50V	ABCDEF GH
C	822	87-010-401-080	OE	CAP, ELECT 1-50V	ABCDEF GH
C	807	87-010-405-080	OE	CAP, ELECT 10-50V	ABCDEF GH
C	808	87-010-405-080	OE	CAP, ELECT 10-50V	ABCDEF GH
C	809	87-010-405-080	OE	CAP, ELECT 10-50V	ABCDEF GH
C	810	87-010-405-080	OE	CAP, ELECT 10-50V	ABCDEF GH
C	805	87-012-365-080	OE	C-CAP,S 0.027-25VBK	ABCDEF GH
C	806	87-012-365-080	OE	C-CAP,S 0.027-25VBK	ABCDEF GH
D	308	87-017-978-080	OE	DIODE,IN4003	ABCDEF GH
C	844	87-018-124-080	OE	CAP, CER 270P-50V	ABCDEF GH
C	833	87-018-195-080	OE	CAP, CER 1200P-16V	ABCDEF GH
C	853	87-018-211-080	OE	CAP, CER 0.01-50	ABC...GH
D	809	87-020-465-080	OE	DIODE,1SS133 (110MA)	ABCDEF GH
D	810	87-020-465-080	OE	DIODE,1SS133 (110MA)	ABCDEF GH
Q	810	87-026-464-080	OE	TR,DTC114TS (0.3W)	ABCDEF GH
R	840	87-029-124-010	OE	RES,FUSE 2.2-1/4	ABCDEF GH
D	309	87-070-345-080	OE	DIODE,IN4148	ABCDEF GH
D	807	87-070-345-080	OE	DIODE,IN4148	ABCDEF GH
D	808	87-070-345-080	OE	DIODE,IN4148	ABCDEF GH
C	853	87-A11-145-080	OE	CAP,TC U 0.01-50 Z F	...DEF
IC	801	87-A21-431-010	OE	IC,BA4560N	ABCDEF GH
CN	801	87-A60-110-010	OE	CONN,4P V S2M-4W	ABCDEF GH
Q	801	89-318-154-080	OE	TR,2SC1815 (0.4W)	ABCDEF GH
CN	802	8A-CH4-687-010	OE	CONN,4P V 2.5	ABCDEF GH
SW	801	8Z-CD9-609-010		SW,SL 1-6-2 PS62D01	ABCDEF GH
C	321	87-010-197-080	OE	CAP, CHIP 0.01 DM	ABCDEF GH
C	322	87-010-263-080	OE	CAP, ELECT 100-10V	ABCDEF GH
Q	841	87-026-291-080	1A	TR,DTC124XS	ABCDEF GH
D	32	87-027-399-080	OE	ZENER,HZ7A3L (200MA)	...DEF
D	32	87-027-607-080	OE	ZENER,HZ7B3L	ABC...GH

ELECTRICAL MAIN PARTS LIST - 3

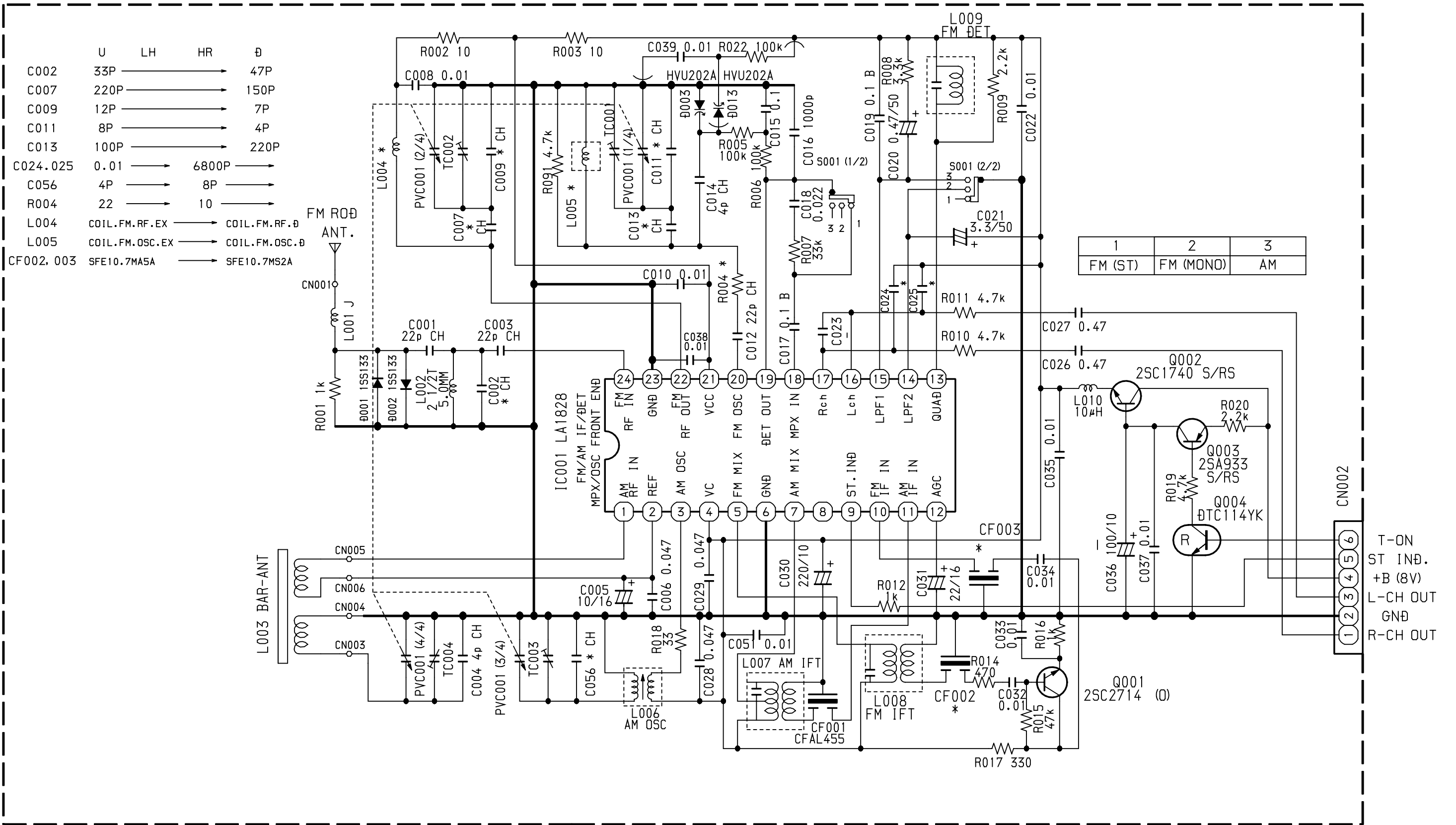
D	323	87-070-345-080	OE	DIODE, IN4148	ABC...GH
CN	201	87-099-018-010	OE	CONN, 16P	ABCDEF
Q	321	89-318-154-080	OE	TR, 2SC1815 (0.4W)	ABCDEF
CN	302	8A-CD9-629-010	OE	CONN ASSY, 6P MA-TU	ABCDEF
L	401	87-003-102-080	OE	COIL, 10UH	ABCDEF
L	404	87-003-152-080	OE	COIL, 100UH	ABCDEF
C	425	87-010-176-080	OE	C-CAP, S 680P-50 SL	ABCDEF
C	407	87-010-178-080	OE	CHIP CAP 1000P	ABCDEF
C	439	87-010-178-080	OE	CHIP CAP 1000P	ABCDEF
C	422	87-010-183-080	OE	C-CAP, S 2700P-50 B	ABCDEF
C	434	87-010-184-080	OE	CHIP CAPACITOR 3300P(K)	ABCDEF
C	429	87-010-186-080	OE	CAP, CHIP 4700P	ABCDEF
C	494	87-010-197-080	OE	CAP, CHIP 0.01 DM	ABCDEF
C	408	87-010-198-080	OE	CAP, CHIP 0.022	ABCDEF
C	418	87-010-213-080	OE	C-CAP, S 0.015-50 B	ABCDEF
C	480	87-010-221-080	OE	CAP, ELECT 470-10V	ABCDEF
C	476	87-010-236-080	OE	CAP, E 1000-10 SME	ABCDEF
C	455	87-010-247-080	OE	CAP, ELECT 100-50V	ABCDEF
C	404	87-010-248-080	OE	CAP, ELECT 220-10V	ABCDEF
C	409	87-010-248-080	OE	CAP, ELECT 220-10V	ABCDEF
C	462	87-010-248-080	OE	CAP, ELECT 220-10V	ABCDEF
C	403	87-010-263-080	OE	CAP, ELECT 100-10V	ABCDEF
C	410	87-010-263-080	OE	CAP, ELECT 100-10V	ABCDEF
C	459	87-010-263-080	OE	CAP, ELECT 100-10V	ABCDEF
C	467	87-010-263-080	OE	CAP, ELECT 100-10V	ABCDEF
C	478	87-010-263-080	OE	CAP, ELECT 100-10V	ABCDEF
C	442	87-010-312-080	OE	C-CAP, S 15P-50 CH	ABCDEF
C	457	87-010-312-080	OE	C-CAP, S 15P-50 CH	ABCDEF
C	458	87-010-312-080	OE	C-CAP, S 15P-50 CH	ABCDEF
C	448	87-010-315-080	OE	C-CAP, S 27P-50 CH	ABCDEF
C	502	87-010-322-080	OE	C-CAP, S 100P-50 CH	ABCDEF
C	503	87-010-322-080	OE	C-CAP, S 100P-50 CH	ABCDEF
C	504	87-010-322-080	OE	C-CAP, S 100P-50 CH	ABCDEF
C	505	87-010-322-080	OE	C-CAP, S 100P-50 CH	ABCDEF
C	506	87-010-322-080	OE	C-CAP, S 100P-50 CH	ABCDEF
C	406	87-010-374-080	OE	CAP, ELECT 47-10V	ABCDEF
C	432	87-010-374-080	OE	CAP, ELECT 47-10V	ABCDEF
C	436	87-010-374-080	OE	CAP, ELECT 47-10V	ABCDEF
C	412	87-010-401-080	OE	CAP, ELECT 1-50V	ABCDEF
C	433	87-010-401-080	OE	CAP, ELECT 1-50V	ABCDEF
C	401	87-010-403-080	OE	CAP, ELECT 3.3-50V	ABCDEF
C	437	87-010-404-080	OE	CAP, ELECT 4.7-50V	ABCDEF
C	465	87-010-404-080	OE	CAP, ELECT 4.7-50V	ABCDEF
C	414	87-010-405-080	OE	CAP, ELECT 10-50V	ABCDEF
C	481	87-010-405-080	OE	CAP, ELECT 10-50V	ABCDEF
C	482	87-010-405-080	OE	CAP, ELECT 10-50V	ABCDEF
C	470	87-010-544-080	OE	CAP, ELECT 0.1-50V	ABCDEF
C	416	87-010-545-080	OE	CAP, ELECT 0.22-50V	ABCDEF
C	431	87-010-545-080	OE	CAP, ELECT 0.22-50V	ABCDEF
C	423	87-010-956-080	OE	CHIP-CAP, S 0.068-25B	ABCDEF
C	424	87-010-993-080	OE	C-CAP, S 0.056-25 B	ABCDEF
C	450	87-012-140-080	OE	CAP 470P	ABCDEF
C	469	87-012-154-080	OE	C-CAP, S 150P-50 CH	ABCDEF
C	430	87-012-156-080	OE	C-CAP, S 220P-50 CH	ABCDEF
C	451	87-012-156-080	OE	C-CAP, S 220P-50 CH	ABCDEF
C	417	87-012-157-080	OE	C-CAP, S 330P-50 CH	ABCDEF
C	445	87-012-368-080	OE	C-CAP, S 0.1-50 F	ABCDEF
C	446	87-012-368-080	OE	C-CAP, S 0.1-50 F	ABCDEF
C	447	87-012-368-080	OE	C-CAP, S 0.1-50 F	ABCDEF
C	466	87-012-368-080	OE	C-CAP, S 0.1-50 F	ABCDEF
C	489	87-012-368-080	OE	C-CAP, S 0.1-50 F	ABCDEF
C	490	87-012-368-080	OE	C-CAP, S 0.1-50 F	ABCDEF
C	501	87-012-368-080	OE	C-CAP, S 0.1-50 F	ABCDEF
C	471	87-015-785-080	OE	CHIP CAPACITOR, 0.1FZ-25Z	ABCDEF
C	472	87-015-785-080	OE	CHIP CAPACITOR, 0.1FZ-25Z	ABCDEF
C	473	87-015-785-080	OE	CHIP CAPACITOR, 0.1FZ-25Z	ABCDEF
C	474	87-015-785-080	OE	CHIP CAPACITOR, 0.1FZ-25Z	ABCDEF
C	460	87-015-819-080	OE	CAPACITOR, 0.01	ABCDEF
C	413	87-016-369-080	OE	C-CAP, S 0.033-25 B K	ABCDEF
C	420	87-016-369-080	OE	C-CAP, S 0.033-25 B K	ABCDEF
C	438	87-016-669-080	OE	C-CAP, S 0.1-25 K B	ABCDEF
C	495	87-016-669-080	OE	C-CAP, S 0.1-25 K B	ABCDEF
C	510	87-016-669-080	OE	C-CAP, S 0.1-25 K B	ABCDEF
Q	403	87-026-295-080	OE	TR, DTC144TK	ABCDEF
Q	404	87-026-295-080	OE	TR, DTC144TK	ABCDEF
Q	405	87-026-295-080	OE	TR, DTC144TK	ABCDEF
D	401	87-070-345-080	OE	DIODE, IN4148	ABCDEF
D	402	87-070-345-080	OE	DIODE, IN4148	ABCDEF
D	403	87-070-345-080	OE	DIODE, IN4148	ABCDEF
CN	403	87-099-201-010	OE	CONN, 8P 6216 H	ABCDEF
C	411	87-A11-177-080	OE	C-CAP, S 0.15-16 K B	ABCDEF
C	421	87-A11-177-080	OE	C-CAP, S 0.15-16 K B	ABCDEF
C	419	87-A11-608-080	OE	C-CAP, S 0.33-25 K B	ABCDEF
C	426	87-A11-608-080	OE	C-CAP, S 0.33-25 K B	ABCDEF
IC	401	87-A20-446-010	1E	C-IC, LA9241ML	ABCDEF
IC	402	87-A20-459-010	2A	C-IC, LC78622ED	ABCDEF
IC	404	87-A21-093-010	1C	IC, LA6541D	ABCDEF
CN	205	87-A60-109-010	OE	CONN, 2P V S2M-2W	ABCDEF
CN	401	87-A60-424-010	OE	CONN, 16P V TOC-B	ABCDEF
Q	401	89-109-332-380	OE	TR, 2SA933RS	ABCDEF
Q	402	89-113-187-080	OE	TR, 2SA1318TU	ABCDEF
CNA	402	8A-CD9-625-010	OE	CONN ASSY, 6P CD-ME	ABCDEF
X	401	8Z-CD5-633-010	OE	VIB, CER16.93MHZ FCR16.93M2	ABCDEF

ELECTRICAL MAIN PARTS LIST - 4

C	491	87-010-197-080	0E	CAP, CHIP 0.01 DM	ABCDEF
C	492	87-010-221-080	0E	CAP, ELECT 470-10V	ABCDEF
Q	492	87-026-291-080	1A	TR,DTC124XS	ABCDEF
D	491	87-070-345-080	0E	DIODE,IN4148	ABCDEF
D	494	87-070-345-080	0E	DIODE,IN4148	ABCDEF
Q	491	89-112-965-080	0E	TR,2SA1296 (0.75W)	ABCDEF
CF	2	82-785-747-010	1A	CF MS2 GHY R	...DEF
CF	3	82-785-747-010	1A	CF MS2 GHY R	...DEF
L	10	87-005-849-080	0E	COIL,10UH(CECS)	ABCDEF
CF	2	87-008-261-010	1A	FILTER, SFE10.7MA5-A	ABC...GH
CF	3	87-008-261-010	1A	FILTER, SFE10.7MA5-A	ABC...GH
C	4	87-010-148-080	0E	CAP, CHIP S 75P SL	ABCDEF
C	42	87-010-150-080	0E	C-CAP,S 6P-50 CH	...DEF
C	9	87-010-151-080	0E	C-CAP,S 7P-50 CH	...DEF
C	56	87-010-152-080	0E	C-CAP,S 8P-50 CH	ABCDEF
C	16	87-010-178-080	0E	CHIP CAP 1000P	ABCDEF
C	24	87-010-188-080	0E	CAP,CHIP 6800P	ABCDEF
C	25	87-010-188-080	0E	CAP,CHIP 6800P	ABCDEF
C	8	87-010-197-080	0E	CAP, CHIP 0.01 DM	ABCDEF
C	10	87-010-197-080	0E	CAP, CHIP 0.01 DM	ABCDEF
C	22	87-010-197-080	0E	CAP, CHIP 0.01 DM	ABCDEF
C	32	87-010-197-080	0E	CAP, CHIP 0.01 DM	ABCDEF
C	33	87-010-197-080	0E	CAP, CHIP 0.01 DM	ABCDEF
C	34	87-010-197-080	0E	CAP, CHIP 0.01 DM	ABCDEF
C	35	87-010-197-080	0E	CAP, CHIP 0.01 DM	ABCDEF
C	37	87-010-197-080	0E	CAP, CHIP 0.01 DM	ABCDEF
C	38	87-010-197-080	0E	CAP, CHIP 0.01 DM	ABCDEF
C	51	87-010-197-080	0E	CAP, CHIP 0.01 DM	ABCDEF
C	18	87-010-198-080	0E	CAP, CHIP 0.022	ABCDEF
C	30	87-010-248-080	0E	CAP, ELECT 220-10V	ABCDEF
C	36	87-010-263-080	0E	CAP, ELECT 100-10V	ABCDEF
C	9	87-010-311-080	0E	CAP 12P	ABC...GH
C	1	87-010-314-080	0E	C-CAP,S 22P-50V	ABCDEF
C	3	87-010-314-080	0E	C-CAP,S 22P-50V	ABCDEF
C	12	87-010-314-080	0E	C-CAP,S 22P-50V	ABCDEF
C	2	87-010-316-080	0E	C-CAP,S 33P-50 CH	ABC...GH
C	2	87-010-318-080	0E	C-CAP,S 47P-50 CH	...DEF
C	41	87-010-321-080	0E	CHIP CAPACITOR, 82P(J)	ABC...GH
C	13	87-010-322-080	0E	C-CAP,S 100P-50 CH	ABC...GH
C	5	87-010-378-080	0E	CAP, ELECT 10-16V	ABCDEF
C	31	87-010-379-080	0E	CAP, ELECT 22-16V	ABCDEF
C	20	87-010-400-080	0E	CAP, ELECT 0.47-50V	ABCDEF
C	21	87-010-403-080	0E	CAP, ELECT 3.3-50V	ABCDEF
C	28	87-010-992-080	0E	C-CAP,S 0.047-25 B	ABCDEF
C	29	87-010-992-080	0E	C-CAP,S 0.047-25 B	ABCDEF
TC	5	87-011-253-080	0E	TRIMER,30P LAR	...
TC	6	87-011-253-080	0E	TRIMER,30P LAR	...
C	44	87-012-140-080	0E	CAP 470P	...470P
C	7	87-012-154-080	0E	C-CAP,S 150P-50 CH	...DEF
C	7	87-012-156-080	0E	C-CAP,S 220P-50 CH	ABCDEF
C	26	87-012-358-080	0E	C-CAP,S 0.47-10 F Z	ABCDEF
C	27	87-012-358-080	0E	C-CAP,S 0.47-10 F Z	ABCDEF
C	15	87-016-669-080	0E	C-CAP,S 0.1-25 K B	ABCDEF
C	17	87-016-669-080	0E	C-CAP,S 0.1-25 K B	ABCDEF
C	19	87-016-669-080	0E	C-CAP,S 0.1-25 K B	ABCDEF
D	1	87-020-465-080	0E	DIODE,1SS133 (110MA)	ABCDEF
D	2	87-020-465-080	0E	DIODE,1SS133 (110MA)	ABCDEF
Q	4	87-026-213-080	0E	CHIP-TR,DTC114YK	ABCDEF
Q	2	87-026-447-080	0E	TR,2SC1740S R	ABCDEF
Q	3	87-026-463-080	0E	TR,2SA933S (0.3W)	ABCDEF
IC	1	87-A20-955-010	1C	IC,LA1828	ABCDEF
D	13	87-A40-128-080	0E	C-VARI-CAP,HVU202A	ABCDEF
L	8	87-A50-335-010	1A	COIL,FM IFT (TOKO)	ABCDEF
L	17	87-A50-337-010	1A	COIL,AM OSC (TOKO)	ABCDEF
L	2	87-A50-560-010	0E	COIL,FM BPF(ACD)	ABCDEF
L	4	87-A50-561-010		COIL,FM RF D(ACD)	...DEF
L	4	87-A50-562-010	0E	COIL,FM RF EX(ACD)	ABC...GH
L	5	87-A50-563-010		COIL,FM OSC D(ACD)	...DEF
L	5	87-A50-564-010		COIL,FM OSC EX(ACD)	ABC...GH
L	16	87-A50-569-010		COIL,LW OSC-ACD(COI)	...
L	9	87-A50-577-010	1A	COIL,FM DET(ACD)	ABCDEF
L	7	87-A50-579-010	0E	COIL,AM IFT(ACD)	ABCDEF
CN	2	87-A60-116-010		CONN,6P H S2M-6WR	ABCDEF
CF	1	87-A90-128-010	0E	FLTR,AM IF CFAL-455	ABCDEF
VC	1	87-A91-167-010		TUN-CAP,20P-160P FA-22125 N000	...
VC	1	87-A91-169-010	1D	TUN-CAP,40P-140P FA-22124 AN00	...DEF
S	1	87-A91-548-010	0E	SW,SL-2-3 SK23E01G06	ABCDEF
S	1	87-A91-549-010	1A	SW,SL-6-4 SK64D01G06	...
VC	1	87-A91-635-010	1D	TUN-CAP,20P-140P E-ACD(MITSUMI)	ABC...GH
Q	1	89-327-143-080	0E	TR,2SC2714 (0.1W)	ABCDEF
L	3	8A-CD9-660-010	1B	BAR-ANT,MW 2B-ACD(COI)	ABCDEF
L	3	8A-CD9-661-010		BAR-ANT,MW/LW 3B-ACD(COI)	...

SCHEMATIC DIAGRAM-1

4



	U	LH	HR	Ø
C002	33P	→	→	47P
C007	220P	→	→	150P
C009	12P	→	→	7P
C011	8P	→	→	4P
C013	100P	→	→	220P
C024, 025	0.01	→	→	6800P
C056	4P	→	→	8P
R004	22	→	→	10
L004	COIL.FM.RF.EX	→	→	COIL.FM.RF.Ø
L005	COIL.FM.OSC.EX	→	→	COIL.FM.OSC.Ø
CF002, 003	SFE10.7MA5A	→	→	SFE10.7MS2A

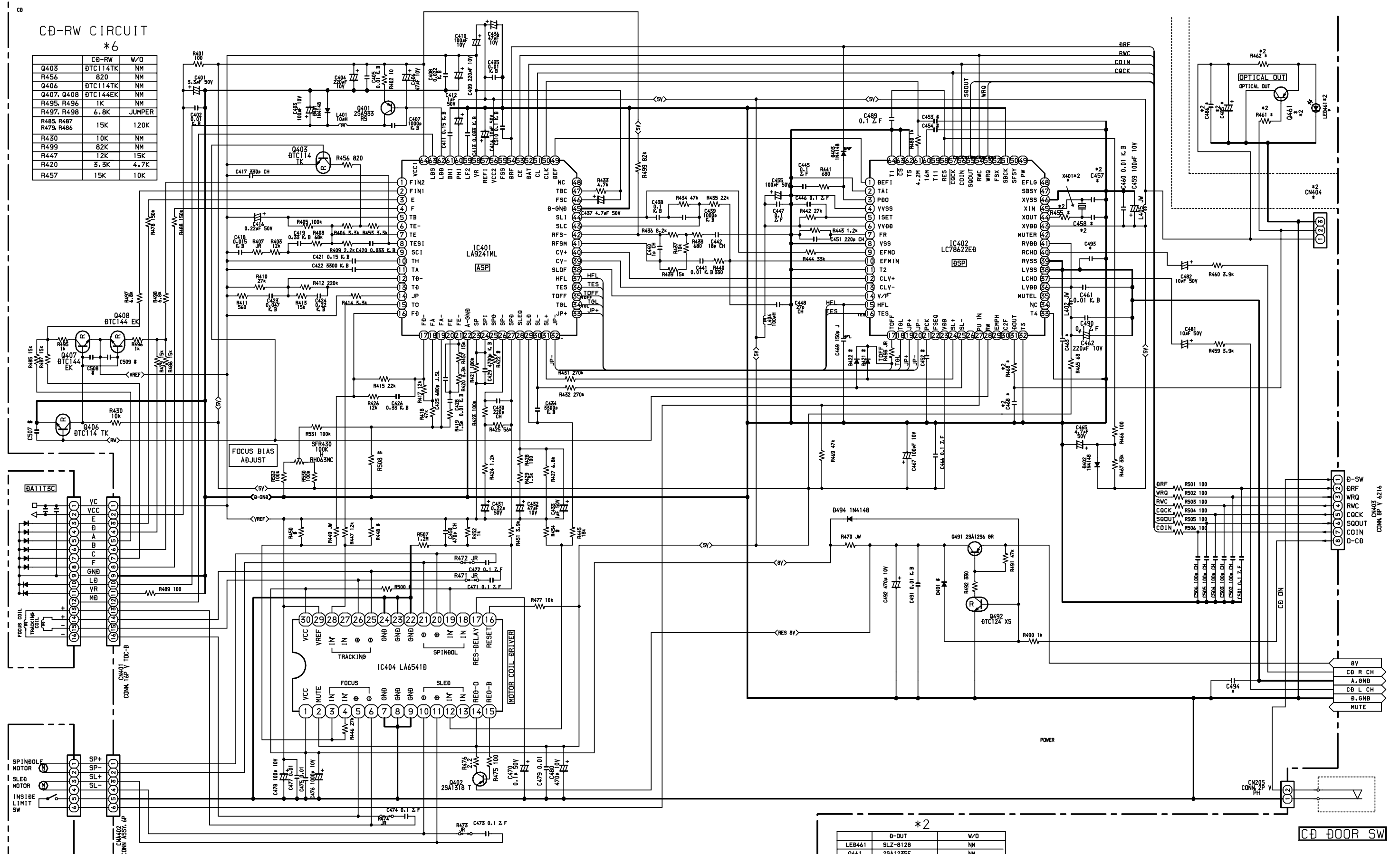
1	2	3
FM (ST)	FM (MONO)	AM

- 1 T-ON
- 2 ST INØ.
- 3 +B (8V)
- 4 L-CH OUT
- 5 GND
- 6 R-CH OUT

SCHEMATIC DIAGRAM-2

CD-RW CIRCUIT
*6

	CD-RW	W/O
Q403	BT114TK	NM
R456	820	NM
Q406	BT114TK	NM
Q407, Q408	BT144EK	NM
R495, R496	1K	NM
R497, R498	6.8K	JUMPER
R485, R487	15K	120K
R479, R486	15K	120K
R430	10K	NM
R499	82K	NM
R447	12K	15K
R420	3.3K	4.7K
R457	15K	10K

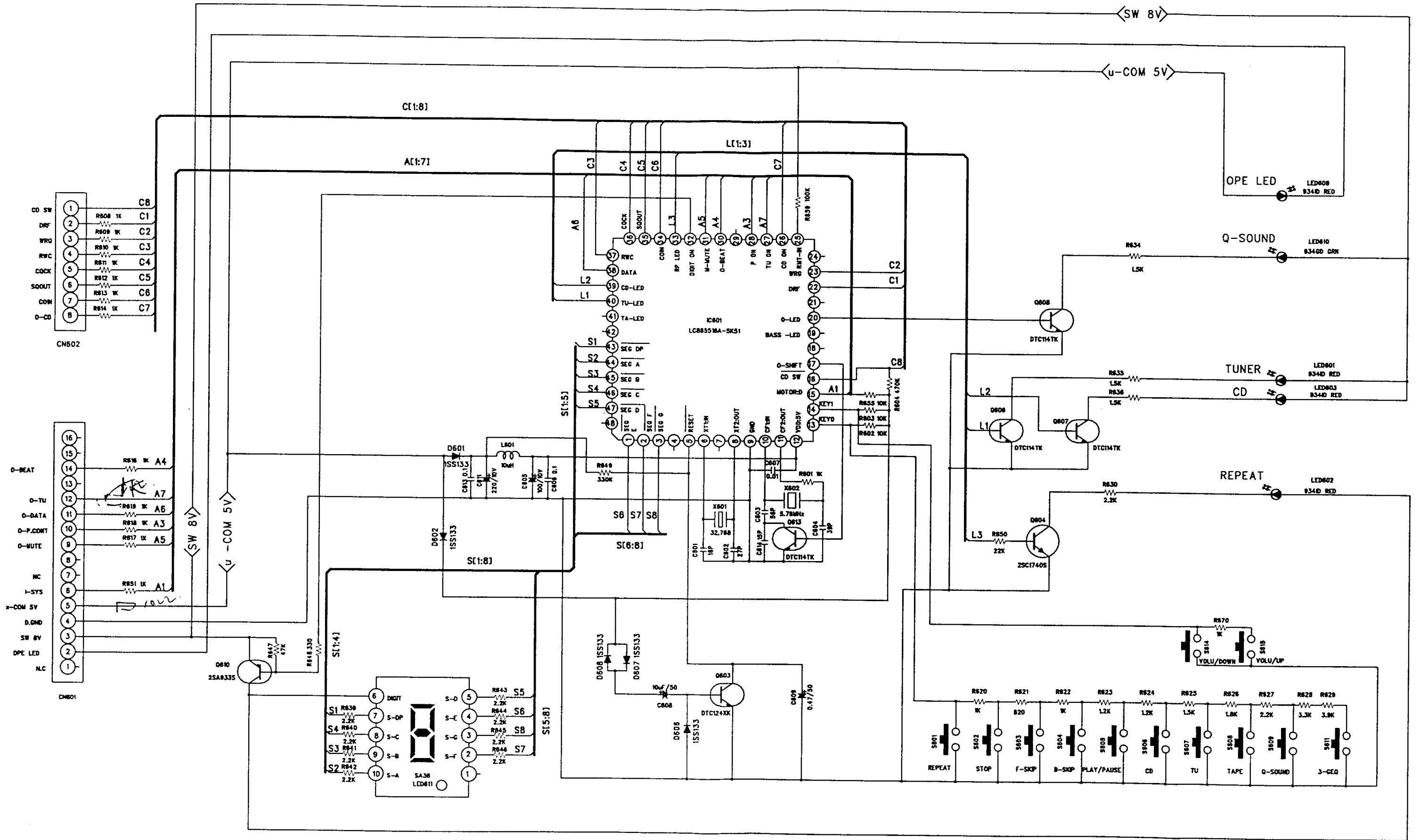


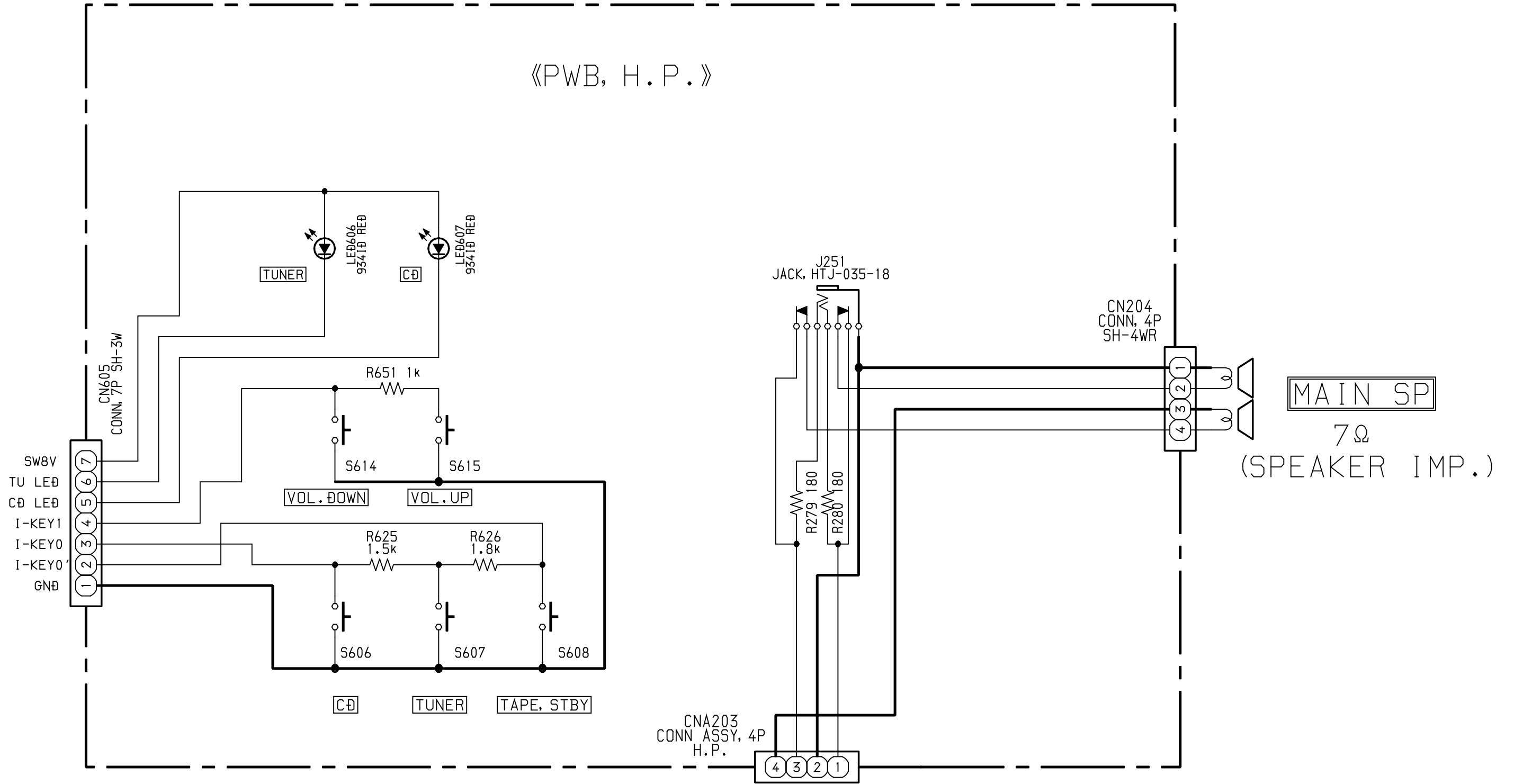
*2

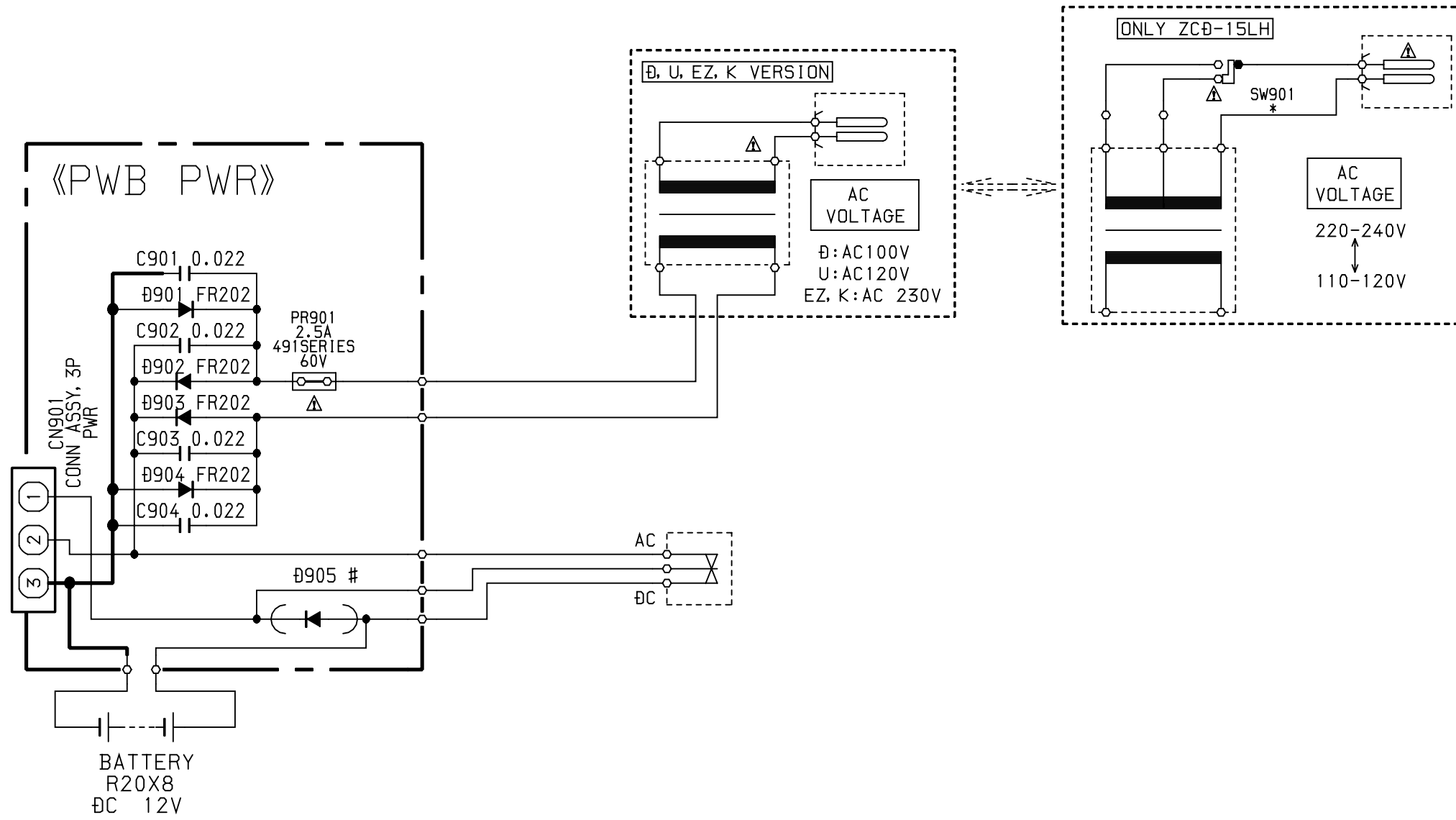
	Ø-OUT	W/O
LEB461	SLZ-8128	NM
Q461	2SA1235F	NM
R461	220	NM
R462	390	NM
C485	100/10	NM
C486	0.01	NM
C468	100P	NM
R468	100	NM
R455	1K	100
C457, C458	33P	15P
X401	VIB. X TAL16.93MHZ	VIB. CER16.93MHZ

CD DOOR SW

SCHEMATIC DIAGRAM-3







MECHANICAL PARTS LIST - 1

NOTE: The characters in the suffix column indicate the part usage.

HR(S)XX.....	A
HT(W)XX.....	B
HT(L)XX.....	C
HA(S)XX.....	G
HR(L)XX.....	H

REF.NO	PARTS NO.	NO.	DESCRIPTION	SUFFIX
*	8A-CD8-002-010		CABI,REAR DE.....
	8A-CD8-003-010		LID,BATT	A...E.G.....
	8A-CD8-004-010		BOX,CD DE.....
	8A-CD8-005-010		CHAS,CD DE.....
	8A-CD8-006-010		BOX,CASS	A...E.G.....
	8A-CD8-007-010		WINDOW,CASS	A...E.G.....
	8A-CD8-008-010		HANDL,FR	A...E.G.....
	8A-CD8-009-010		HANDL,REAR	A...E.G.....
	8A-CD8-010-010		POINTER,TU	ABCDEFGHIH.....
	8A-CD8-018-010		PANEL,FR L	A...E.G.....
	8A-CD8-019-010		WINDOW,DISPLAY DE.....
	8A-CD8-020-010		WINDOW,DIAL DE.....
	8A-CD8-021-010		CHAS,CASS	A...E.G.....
	8A-CD8-022-010		PANEL,FR R	A...E.G.....
	8A-CD8-024-010		CABI,REAR U	A.....G.....
	8A-CD8-026-010		CABI,REAR EZG.....
	8A-CD8-027-010		BOX,CD EX	A.....G.....
	8A-CD8-028-010		CHAS,CD EX	A.....G.....
	8A-CD8-029-010		WINDOW,DIAL UG.....
	8A-CD8-030-010		WINDOW,DIAL EZG.....
	8A-CD8-031-010		WINDOW,DIAL HR	A.....G.....
	8A-CD8-043-010		WINDOW,DISPLAY EX	A.C...GH.....
	8A-CD8-045-010		CABI,REAR D (W)D.....
	8A-CD8-050-010		WINDOW,DISPLAY EX (W)D.....
	8A-CD8-051-010		WINDOW,DIAL HR (W)D.....
	8A-CD8-053-010		CABI,REAR D (P)F.....
	8A-CD8-054-010		LID,BATT (P)F.....
	8A-CD8-055-010		BOX,CD D (P)F.....
	8A-CD8-056-010		CHAS,CD D (P)F.....
	8A-CD8-057-010		BOX,CASS (P)F.....
	8A-CD8-058-010		WINDOW,CASS (P)F.....
	8A-CD8-059-010		HANDL,FR (P)F.....
	8A-CD8-060-010		HANDL,REAR (P)F.....
	8A-CD8-067-010		PANEL,FR L (P)F.....
	8A-CD8-068-010		WINDOW,DISPLAY D (P)F.....
	8A-CD8-069-010		WINDOW,DIAL D (P)F.....
	8A-CD8-070-010		CHAS,CASS (P)F.....
	8A-CD8-075-010		BOX,CD D (W)D.....
	8A-CD8-076-010		CHAS,CD D (W)D.....
	8A-CD8-078-010		CABI,FR ASSY DE.....
	8A-CD8-079-010		CABI,FR ASSY EX	A.....G.....
	8A-CD8-080-010		CABI,FR ASSY LH1G.....
	8A-CD8-081-010		CABI,FR ASSY D (W)D.....
	8A-CD8-082-010		CABI,FR ASSY D (P)F.....
	8A-CD8-084-010		CABI,REAR U (L)	..C...H.....
	8A-CD8-085-010		CABI,FR ASSY (L)	..C...H.....
	8A-CD8-088-010		WINDOW,DIAL HR (L)	..C...H.....
	8A-CD8-090-010		CABI,FR ASSY (W)	..B.....
	8A-CD8-091-010		WINDOW,DISPLAY D (W)	..B.....
	8A-CD8-092-010		WINDOW,DIAL D (W)	..B.....
	8A-CD8-093-010		CABI,REAR U (W)	..B.....
	8A-CD8-096-010		PANEL,FR R (P)F.....
	8A-CH8-017-010		LID,BATT (W)	..B.D.....
	8A-CH8-018-010		BOX,CD (W)	..B.....
	8A-CH8-019-010		CHAS,CD (W)	..B.....
	8A-CH8-020-010		BOX,CASS (W)	..B.D.....
	8A-CH8-021-010		WINDOW,CASS (W)	..B.D.....
	8A-CH8-022-010		HANDL,FR (W)	..B.D.....
	8A-CH8-023-010		HANDL,REAR (W)	..B.D.....
	8A-CH8-029-010		PANEL,FR L (W)	..B.D.....
	8A-CH8-030-010		PANEL,FR R (W)	..B.D.....
	8A-CH8-031-010		CHAS,CASS (W)	..B.D.....
	8A-CH8-036-010		LID,BATT (L)	..C...H.....
	8A-CH8-037-010		BOX,CD (L)	..C...H.....
	8A-CH8-038-010		CHAS,CD (L)	..C...H.....
	8A-CH8-039-010		BOX,CASS (L)	..C...H.....
	8A-CH8-040-010		WINDOW,CASS (L)	..C...H.....
	8A-CH8-041-010		HANDL,FR (L)	..C...H.....
	8A-CH8-042-010		HANDL,REAR (L)	..C...H.....
	8A-CH8-047-010		CHAS,CASS (L)	..C...H.....
	8A-CH8-048-010		PANEL,FR L (L)	..C...H.....
	8A-CH8-049-010		PANEL,FR R (L)	..C...H.....
	8Z-CDB-169-010	1D	PANEL,CD SANYO	ABCDEFGHIH.....
	8Z-CL7-107-010	0E	BADGE,AIWA SILVER	ABCDEFGHIH.....
	8A-CD8-011-010		KEY,CASS SET	A...E.G.....
	8A-CD8-012-010		KNOB,RTRY TU	A...E.G.....
	8A-CD8-013-010		KNOB,SL BAND	A...E.G.....
	8A-CD8-014-010		KEY,VOL	A...E.G.....
	8A-CD8-015-010		KEY,FUNC	A...E.G.....
	8A-CD8-016-010		KEY,CONTROL CD	A.C.E.GH.....
	8A-CD8-017-010		KEY,QSOUND	ABCDEFGHIH.....
	8A-CD8-046-010		KNOB,RTRY TU (W)	..B.D.....
	8A-CD8-047-010		KNOB,SL BAND (W)	..B.D.....

MECHANICAL PARTS LIST - 2

	8A-CD8-048-010	KEY, FUNC (W)	.B.D.....
	8A-CD8-049-010	KEY, CONTROL CD (W)	.B.D.....
	8A-CD8-061-010	KEY, CASS (P)F.....
	8A-CD8-062-010	KNOB, RTRY TU (P)F.....
	8A-CD8-063-010	KNOB, SL BAND (P)F.....
	8A-CD8-064-010	KEY, VOL (P)F.....
	8A-CD8-065-010	KEY, FUNC (P)F.....
	8A-CD8-066-010	KEY, CONTROL CD (P)F.....
	8A-CD8-086-010	KNOB, RTRY TU (L)	..C...H.....
	8A-CD8-087-010	KNOB, SL BAND (L)	..C...H.....
	8A-CD8-095-010	KEY, FUNC (L)	..C...H.....
	8A-CH8-024-010	KEY, CASS (W)	.B.D.....
	8A-CH8-025-010	KEY, VOL (W)	.B.D.....
	8A-CH8-043-010	KEY, CASS (L)	..C...H.....
	8A-CH8-044-010	KEY, VOL (L)	..C...H.....
	M8-ZZK-E90-070	2B DA11T3C	ABCDEF GH.....
	84-CD5-215-010	0E GEAR	ABCDEF GH.....
	84-CD5-216-010	0E BRACKET	ABCDEF GH.....
	84-CT5-209-010	1D PLATE, MAGNET	ABCDEF GH.....
	87-036-368-010	0E MAGNET	ABCDEF GH.....
	88-CD8-209-010	SPR-C, BATT	ABCDEF GH.....
	88-CD9-211-210	0E RING, CHUCK	ABCDEF GH.....
	8A-CD8-201-010	GEAR, IDLER	ABCDEF GH.....
	8A-CD8-202-010	LEVER, BAND	ABCDEF GH.....
	8A-CD8-203-010	DRUM, DIAL	ABCDEF GH.....
*	8A-CD8-206-010	HLDR, LED	ABCDEF GH.....
	8A-CD8-207-010	SPR-T, CASS	ABCDEF GH.....
	8A-CD8-208-010	SPR-T, CD	ABCDEF GH.....
	8A-CD8-209-010	HLDR, TRANS	ABCDEF GH.....
*	8A-CD8-210-010	HLDR, SPKR A	ABCDEF GH.....
*	8A-CD8-211-010	HLDR, SPKR B	ABCDEF GH.....
*	8A-CD8-212-010	HLDR, ANT	ABCDEF GH.....
	8A-CD8-213-010	SPR-P, REC	ABCDEF GH.....
	8Z-CDB-170-010	1D BASE, CHUCK	ABCDEF GH.....
	87-067-566-010	0E TAPPING SCREW, VFTT+3-6	ABCDEF GH.....
	87-254-097-410	0E U+3-12 CR	ABCDEF GH.....
	87-342-074-010	0E UT2+2.6-8	ABCDEF GH.....
	87-353-076-210	0E VT2+2.6-12	ABCDEF GH.....
	87-571-032-410	0E VIT+2-3	ABCDEF GH.....
	87-641-096-410	0E UT1+3-10 GLD	ABCDEF GH.....
	87-661-097-410	0E TAPPING SCREW, VFT1+3-12	ABCDEF GH.....
	87-741-095-410	0E UT2+3-8 GLD	ABCDEF GH.....
	87-741-097-410	0E UT2+3-12	ABCDEF GH.....
	87-B10-242-010	0E UT2+3-30 W/O CR	ABCDEF GH.....
	87-WA5-253-010	W, 3.3-10-0.8	ABCDEF GH.....
*	87-036-389-010	1B SW, PUSH LOCK	ABCDEF GH.....
	87-751-094-410	0E VT2+3-6 W10SLOT	ABCDEF GH.....
*	87-A60-178-010	JACK, AC E W/SW	ABC...GH.....
*	87-A60-179-010	1A JACK, AC D W/SW	...DEF.....
*	87-A90-086-010	0E COVER, AC-SOCKET	ABCDEF GH.....
*	87-A91-369-010	1C SW, AC SL 2 2 2 SDKGA41700	ABC...GH.....
SP	0	88-CD8-622-010	1F SPKR, F 77 7OHM 3W
PT	901	8A-CD8-601-010	PT, D 2.5W
PT	901	8A-CD8-603-010	PT, E 2.5W
PT	901	8A-CD8-604-010	PT, H 2.5W
W	0	8A-CD9-620-010	FF-CABLE, 16P FR-MAIN
W	0	8A-CD9-621-010	FF-CABLE, 16P CD-RF
W	0	8A-CD9-622-010	FF-CABLE, 8P CD-FR
CNA	0	8A-CD9-626-010	CONN ASSY, 2P DOOR
CNA	0	8A-CD9-630-010	CONN ASSY, 4P RPH
CNA	0	8A-CD9-631-010	CONN ASSY, 4P TP-ME
CNA	0	8A-CD9-633-010	CONN ASSY, 4P SP
*		8Z-CH4-640-010	ANT, ROD
			ABCDEF GH.....

ACCESSORIES LIST

NOTE: The characters in the suffix column indicate the part usage.

HR(S)XX.....A.....
 HT(W)XX.....B.....
 HT(L)XX.....C.....
 HA(S)XX.....G.....
 HR(L)XX.....H.....

REF.NO	PARTS NO.	NO.	DESCRIPTION	SUFFIX
	8A-CD8-901-010		IB,H(ECA)B	ABC....H.....
	8A-CD8-902-010		IB,LH(ESP)BG.....
	8A-CD8-905-010		IB,K(E)B	PDF.....
	8A-CD8-906-010		IB,EZ(9L)B	PDF.....
	8A-CD8-908-010		IB,D(J)BDEF.....
	8A-CD8-911-010		IB,H(EC-K)B
	8A-CD8-940-010		IB,LH1(P)KIT
	87-A80-033-010	1C	AC CORD SET,D BLKDEF.....
	87-A80-034-010	2M	AC CORD SET ASSY,K W/F MAY-BG
	87-A80-036-010		AC CORD SET ASSY,E W/FLTR VOL	ABC....H.....
	87-A80-089-010	1C	AC CORD SET,HC
	87-A80-119-010	1C	AC CORD SET ASSY,AZG.....
	87-A91-017-010	1A	PLUG,CONVERSION JT-0476	ABC....H.....



アイワ株式会社 〒110-8710 東京都台東区池之端1-2-11 ☎03(3827)3111 (代表)
AIWA CO.,LTD. 2-11, IKENOHATA 1-CHOME, TAITO-KU, TOKYO 110-8710, JAPAN TEL:03 (3827) 3111