



**CSD-ED57**

U,EZ

**CSD-ED59**

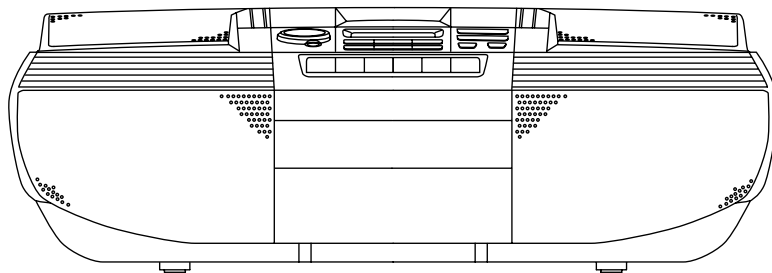
LH,K,HA

**CSD-ED65**

EZ

**CSD-ED67**

U



# SERVICE MANUAL

COMPACT DISC STEREO  
RADIO CASSETTE RECORDER

MODEL	BASIC TAPE MECHANISM	BASIC CD MECHANISM
CSD-ED57/59	TN21ZVC-1816	CMS-B31TG6
CSD-ED65/67	TN51RV-240	DA11T3C

- This Service Manual contains information about the difference between the CD MECHANISM "CMS-B31TG6" / "DA11T3C" and "KSM-213 CDM" for the MODEL CSD-ED57(U,EZ) / 59(LH,K,HA) / 65(EZ) / 67(U).  
If requiring other information, see Service Manual of CSD-ED57(U) / 59(LH,K) / 67(U), (S/M Code No. 09-992-402-4R1), CSD-ED57(EZ) / 59(HA) / 65(EZ), (S/M Code No. 09-995-402-4R2).

**aiwa**

S/M Code No. 09-004-402-4S1

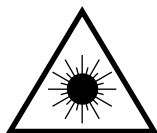
SUPPLEMENT  
DATA

## PROTECTION OF EYES FROM LASER BEAM DURING SERVICING

This set employs laser. Therefore, be sure to follow carefully the instructions below when servicing.

### WARNING!!

WHEN SERVICING, DO NOT APPROACH THE LASER EXIT WITH THE EYE TOO CLOSELY. IN CASE IT IS NECESSARY TO CONFIRM LASER BEAM EMISSION. BE SURE TO OBSERVE FROM A DISTANCE OF MORE THAN 30cm FROM THE SURFACE OF THE OBJECTIVE LENS ON THE OPTICAL PICK-UP BLOCK.



- Caution: Invisible laser radiation when open and interlocks defeated avoid exposure to beam.
- Advarsel: Usynlig laserstråling ved åbning, når sikkerhedsafbrydere er ude af funktion. Undgå udsættelse for stråling.

### VAROITUS!

Laitteen Käyttäminen muulla kuin tässä käyttöohjeessa mainitulla tavalla saattaa altistaa käyttäjän turvallisuusluokan 1 ylittävälle näkymättömälle lasersäteilylle.

### WARNING!

Om apparaten används på annat sätt än vad som specificeras i denna bruksanvisning, kan användaren utsättas för osynlig laserstrålning, som överskrider gränsen för laserklass 1.

### CAUTION

Use of controls or adjustments or performance of procedures other than those specified herein may result in hazardous radiation exposure.

### ATTENTION

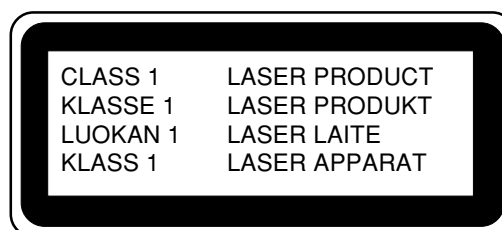
L'utilisation de commandes, réglages ou procédures autres que ceux spécifiés peut entraîner une dangereuse exposition aux radiations.

### ADVARSEL

Usynlig laserstråling ved åbning, når sikkerhedsafbrydere er ude af funktion. Undgå udsættelse for stråling.

This Compact Disc player is classified as a CLASS 1 LASER product.

The CLASS 1 LASER PRODUCT label is located on the rear exterior.

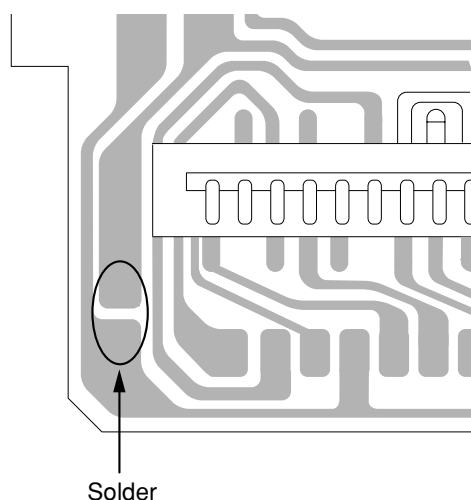


## Precaution to replace Optical block

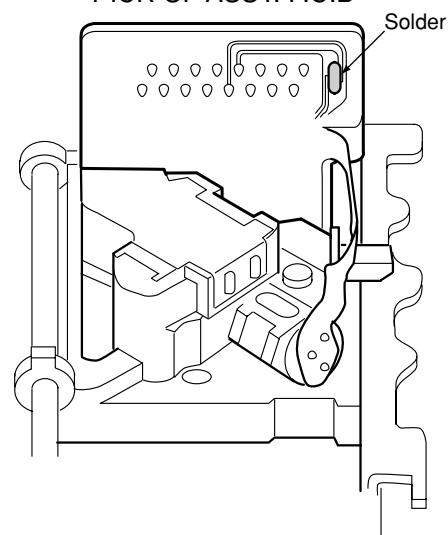
Body or clothes electrostatic potential could ruin laser diode in the optical block. Be sure ground body and workbench, and use care the clothes do not touch the diode.

- 1) After the connection, remove solder shown in right figure.

SF-P101NR  
PICK-UP ASSY. P.C.B



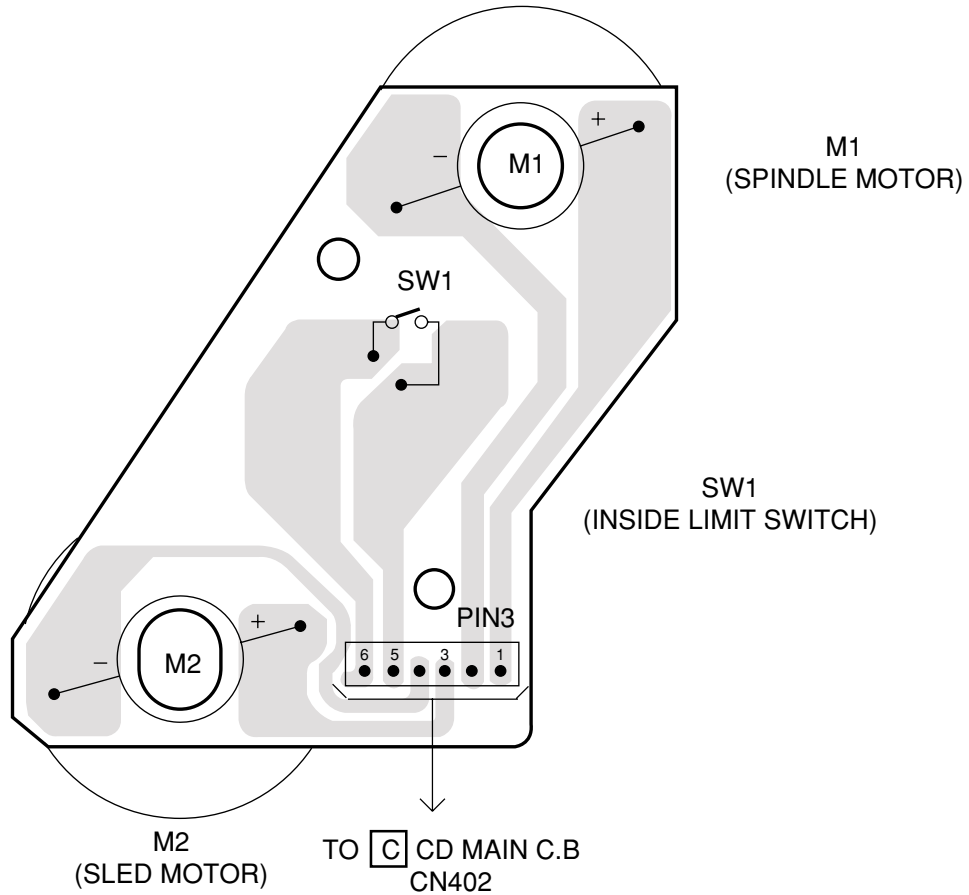
CMS-B31TG6  
PICK-UP ASSY. P.C.B



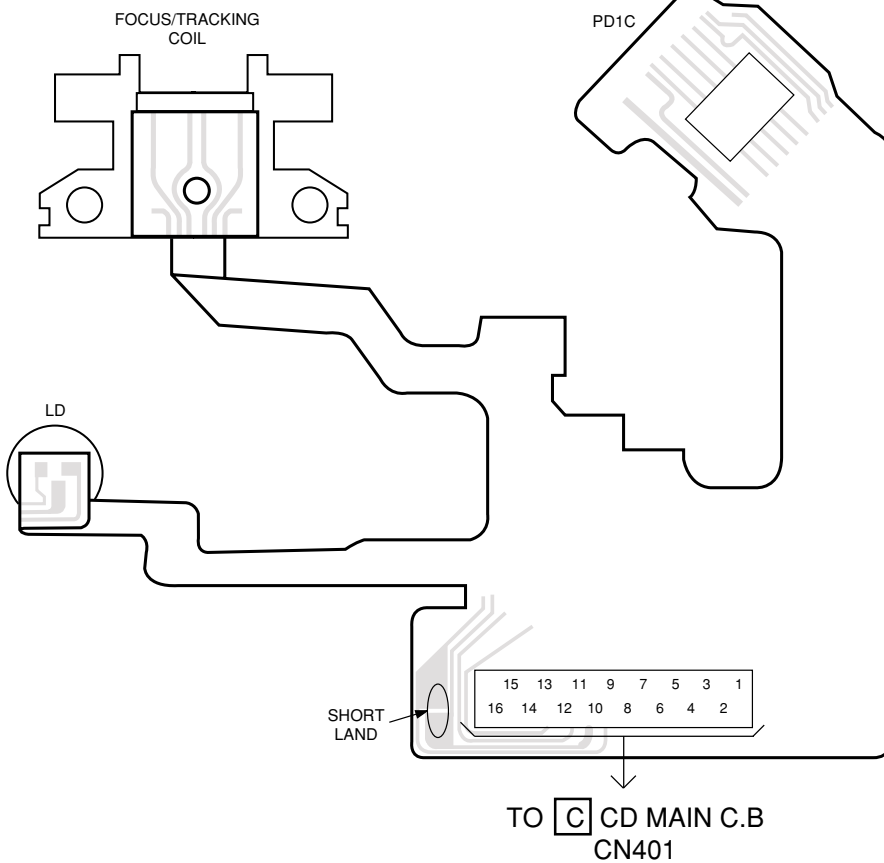
WIRING - 1 (57/59 : MOTOR-1)

15	14	13	12	11	10	9	8	7	6	5	4	3	2	1
----	----	----	----	----	----	---	---	---	---	---	---	---	---	---

[H] MOTOR-1 C.B



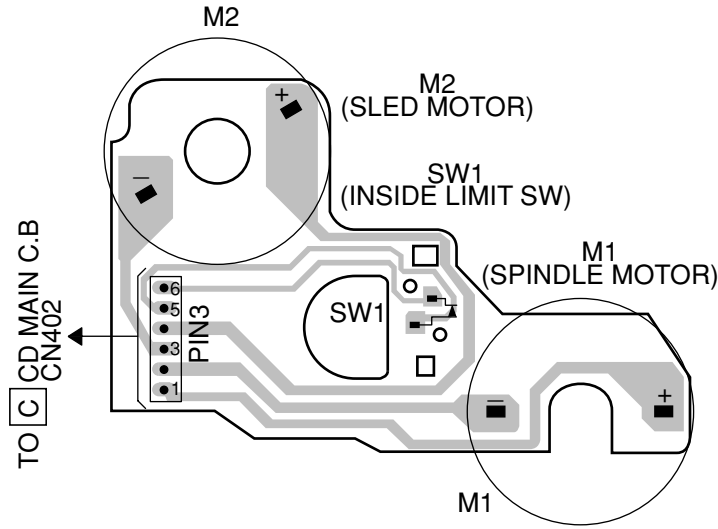
PICK UP ASSY



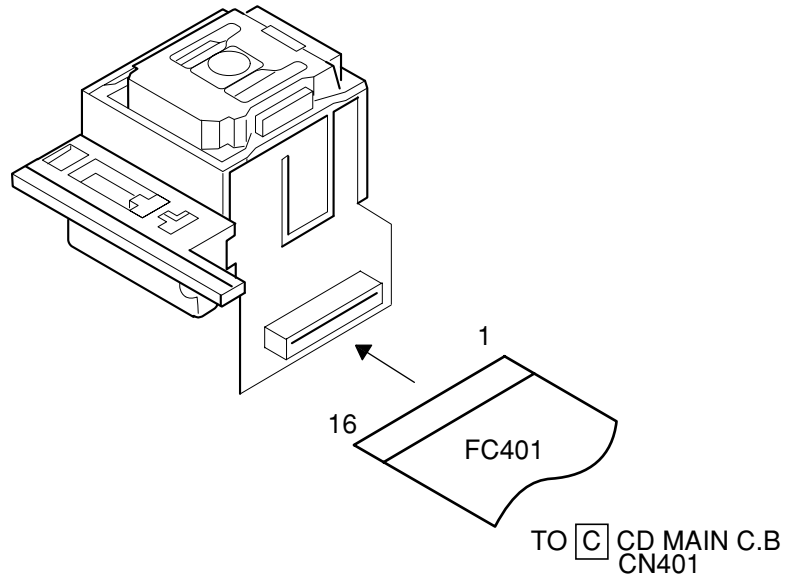
A  
B  
C  
D  
E  
F  
G  
H  
I  
J  
K  
L  
M  
N  
O  
P  
Q  
R  
S  
T  
U

15	14	13	12	11	10	9	8	7	6	5	4	3	2	1
----	----	----	----	----	----	---	---	---	---	---	---	---	---	---

**H MOTOR-1 C.B**

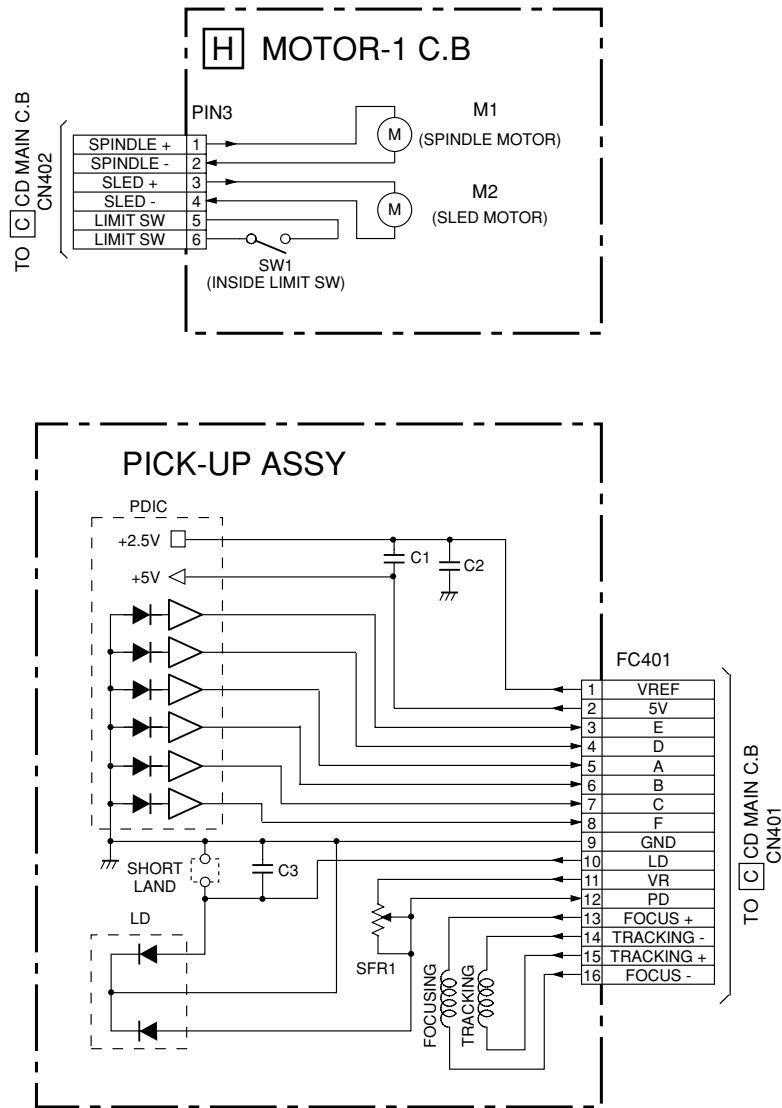


PICK UP ASSY  
SF-P101NR

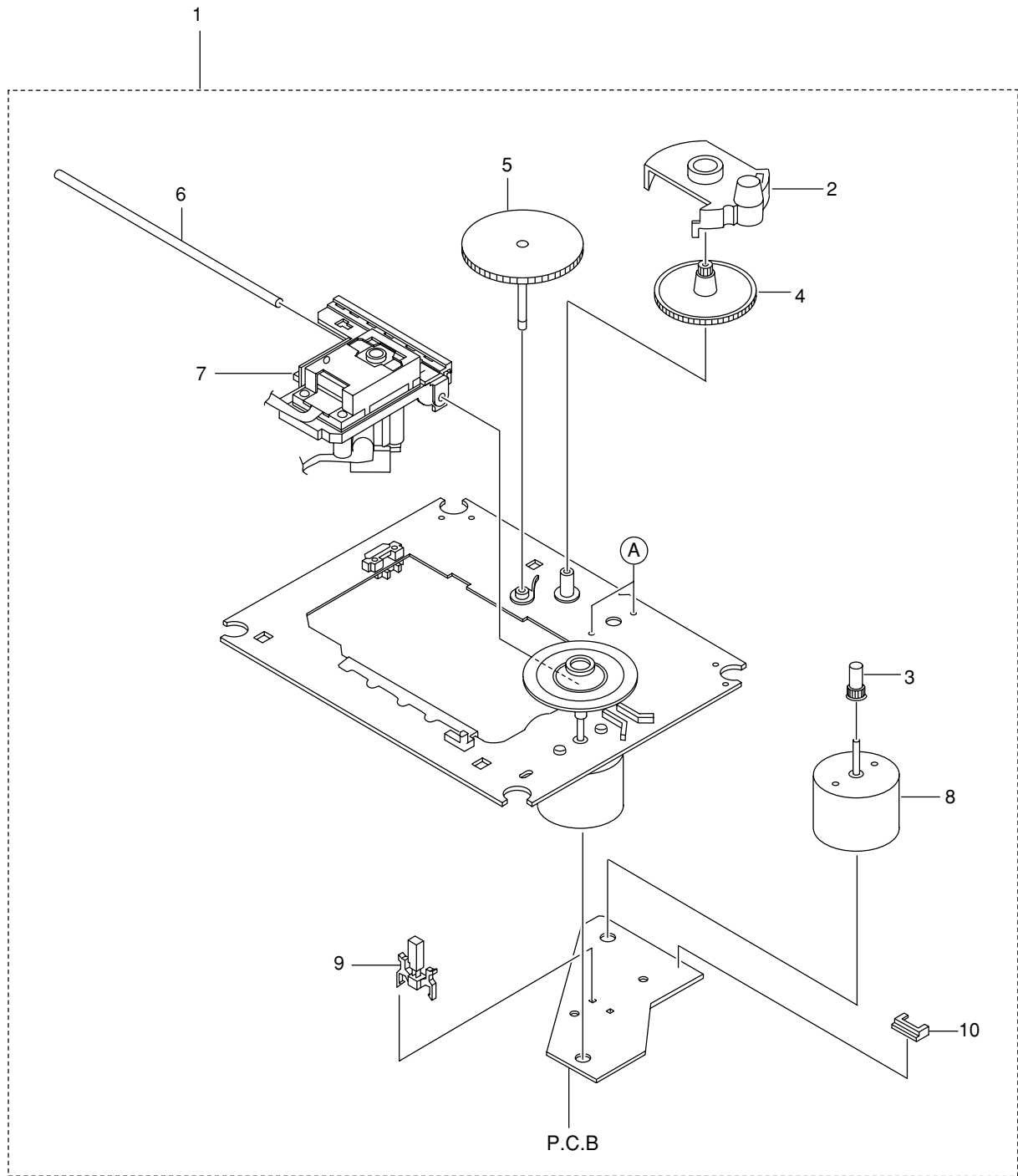


A  
B  
C  
D  
E  
F  
G  
H  
I  
J  
K  
L  
M  
N  
O  
P  
Q  
R  
S  
T  
U

# SCHEMATIC DIAGRAM - 1 (MOTOR-1)



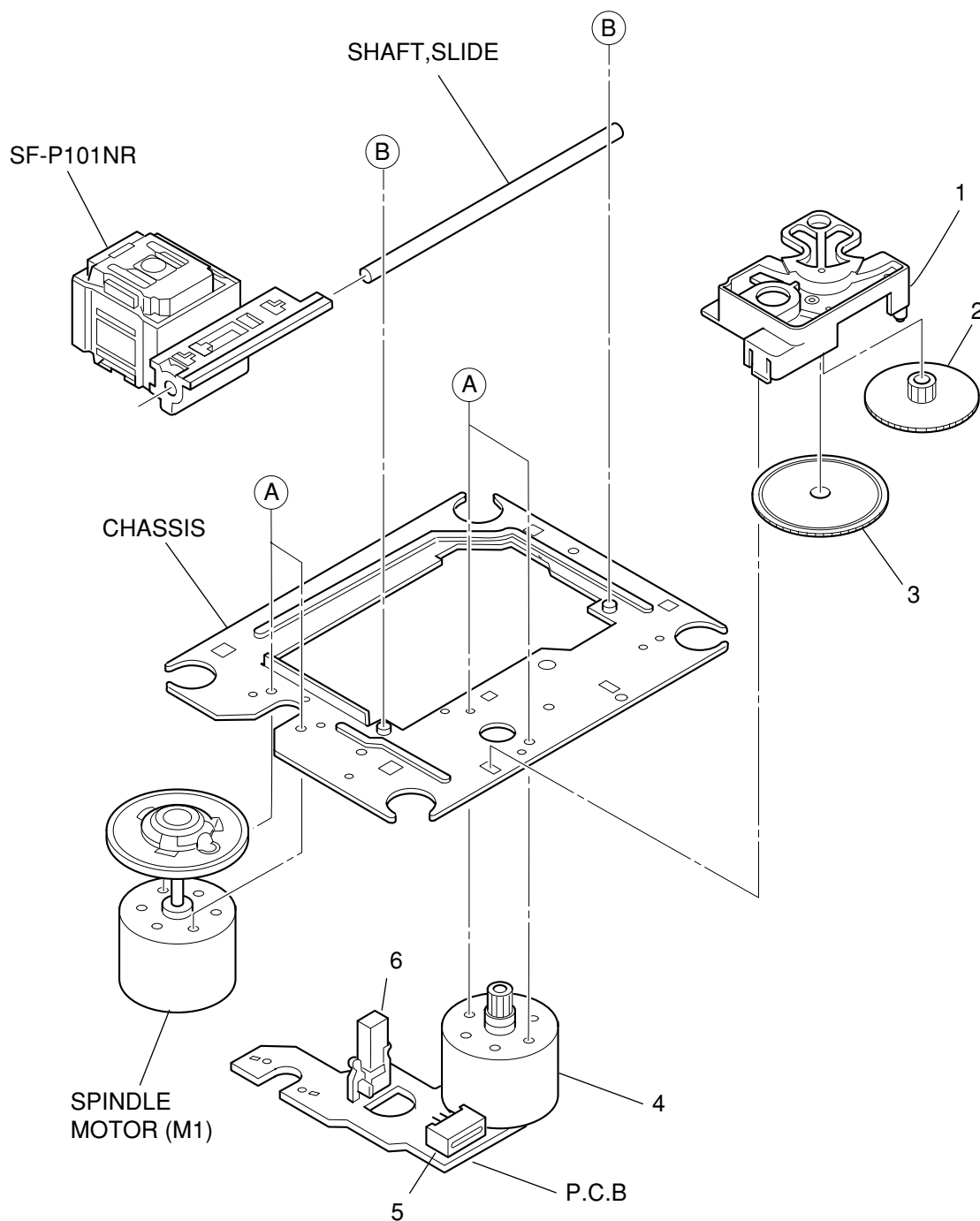
# CD MECHANISM EXPLODED VIEW 1 / 1 (57/59)



# CD MECHANISM PARTS LIST 1 / 1 (57/59)

REF. NO.	PART NO.	KANRI NO.	DESCRIPTION
1	M8-ZZK-L90-07A		CMS-B31TG6 ASSY
2	SJ-660-060-1G0		COVER GEAR
3	SJ-660-060-1D0		GEAR (A)
4	SJ-660-060-1B0		GEAR (B)
5	SJ-660-060-1F0		GEAR (C)
6	SJ-700-060-1A0		SHAFT UP
7	SJ-750-060-1F0		PICKUP ASSY
8	SJ-310-060-1A0		MOTOR FEED
9	S4-090-001-740		SW, LEAF
10	SJ-370-060-1A0		CONN, WAFER
A	SJ-600-060-100		SCREW-PH (+M2+3)

# CD MECHANISM EXPLODED VIEW 1 / 1 (65/67)



# CD MECHANISM PARTS LIST 1 / 1 (65/67)

REF. NO.	PART NO.	KANRI NO.	DESCRIPTION
1	S2-121-A28-400		COVER GEAR
2	S2-511-A21-000		GEAR MIDDLE
3	S2-511-A21-100		GEAR, DRIVE
4	9X-262-576-910		MOTOR GEAR ASSY
5	91-564-722-110		CONNECTOR, 6P
6	91-572-085-120		LEAF SW
A	S1-PN2-03R-OSE		SCR PAN PCS 2-3
B	87-261-073-410		SCR S-TPG FLT 2.6-6
ALL	M8-ZZK-E90-070		DA11T3C

**アイワ株式会社** 〒110-8710 東京都台東区池之端1-2-11 ☎03(3827)3111 (代表)  
**AIWA CO.,LTD.** 2-11, IKENOHATA 1-CHOME, TAITO-KU, TOKYO 110, JAPAN TEL:03 (3827) 3111