



CSD-ES225

U U1U2 U3

LH EZ K

HR HC HE

HA V

SERVICE MANUAL

STEREO RADIO CASSETTE RECORDER

BASIC TAPE MECHANISM : TN-21ZSC-1685
BASIC CD MECHANISM : KSM-2131BDM

This Service Manual contains information about the difference between CSD-ES225.

If requiring the other information, see Service Manual of CSD-ES225 type <U,U1,U2,U3,LH> (S/M Code No.09-982-241-4FP), type <HR,EZ,K> (S/M Code No.09-983-248-8FP), type <HE,HC> (S/M Code No.09-986-273-1FP), type <V> (S/M Code No.09-987-287-5FP), and type <HA> (S/M Code No.09-98B-302-1FP).

aiwa
S/M Code No. 09-005-347-0S2

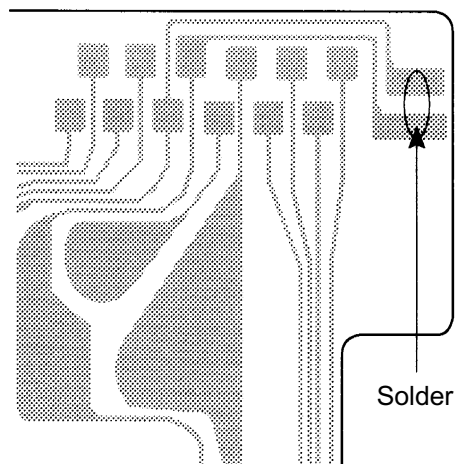
SUPPLEMENT
DATA

Precaution to replace Optical block

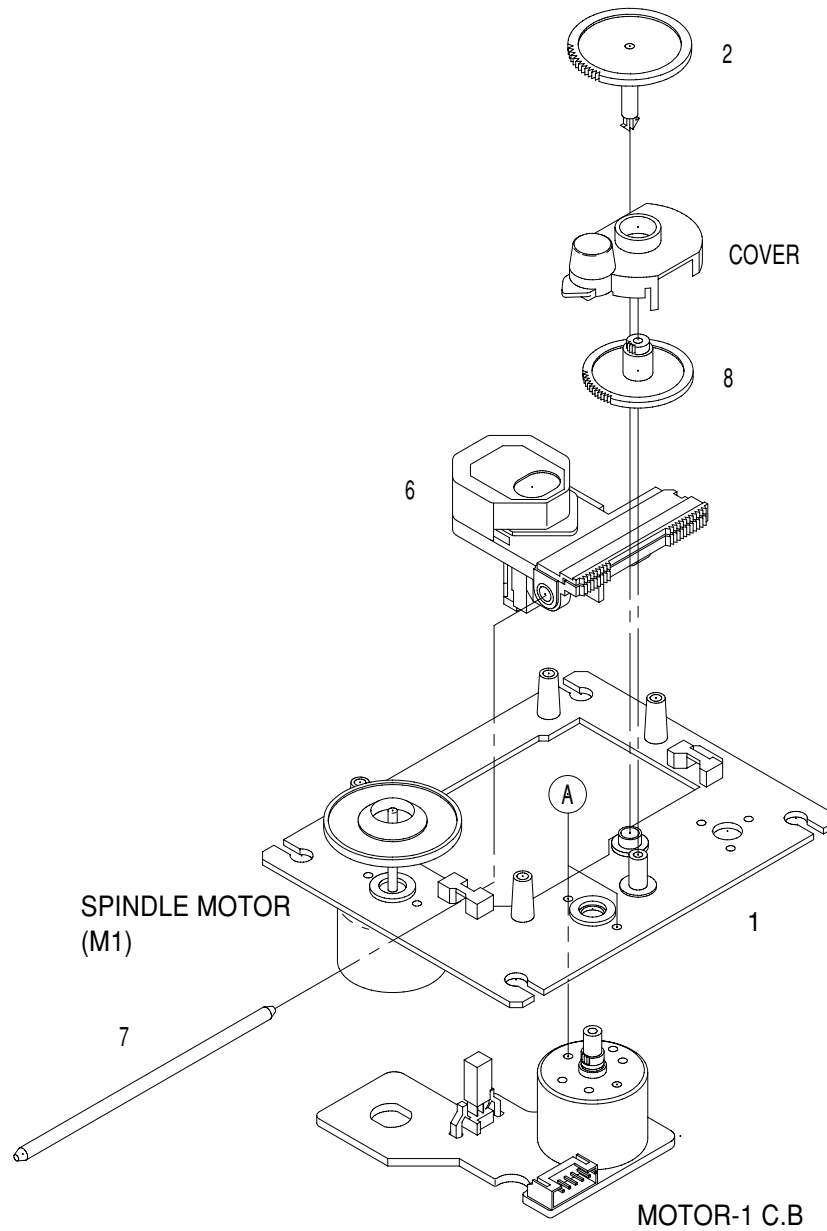
Body or clothes electrostatic potential could ruin laser diode in the optical block. Be sure ground body and workbench, and use care the clothes do not touch the diode.

- 1) After the connection, remove solder shown in the right figure.

PICK-UP Assy P.C.B



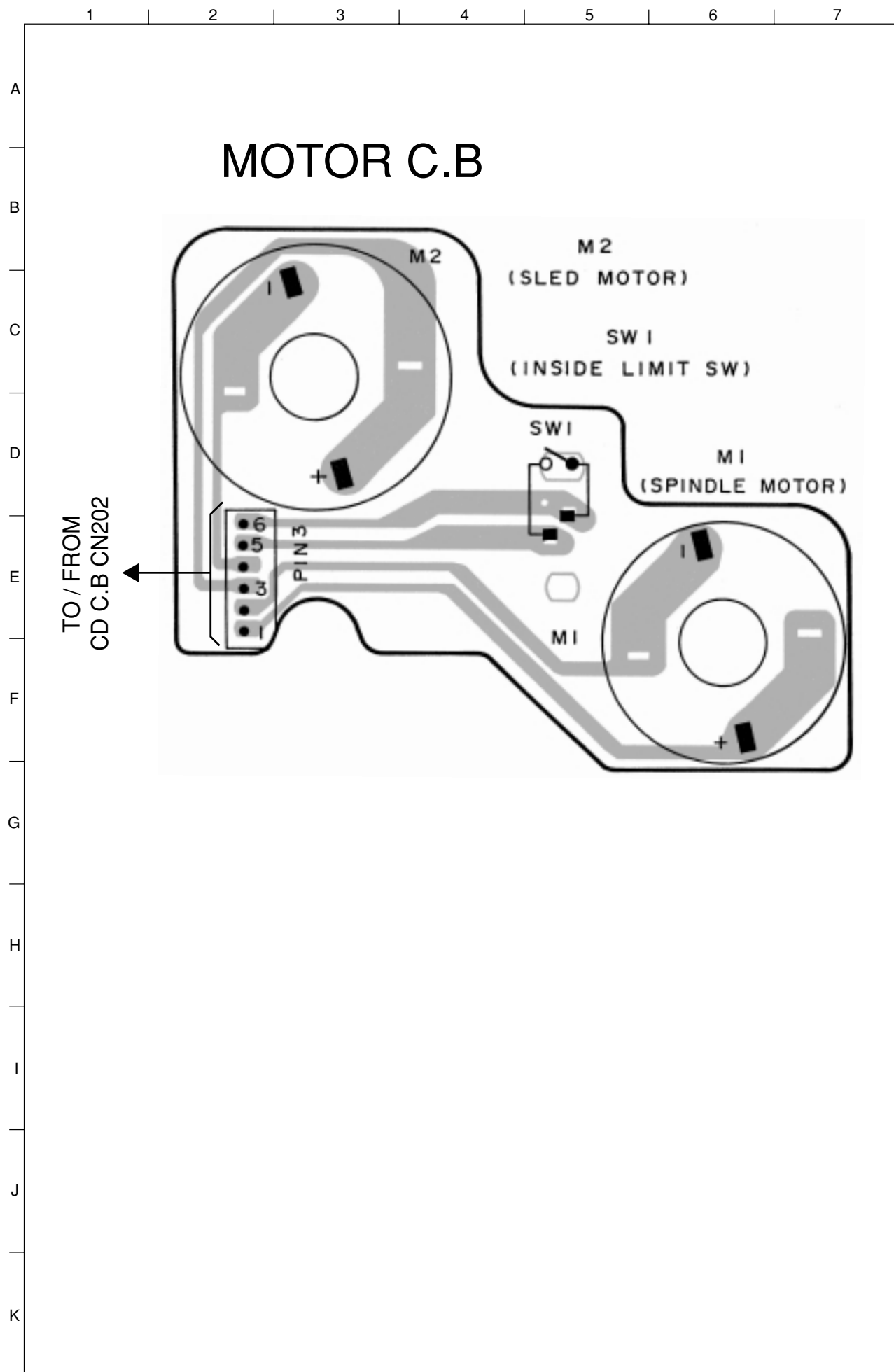
CD MECHANISM EXPLODED VIEW 1/1



CD MECHANISM PARTS LIST 1/1

REF. NO	PART NO.	KANRI NO.	DESCRIPTION
1	9X-262-587-010		MOTOR CHASSIS ASSY
2	92-626-907-010		GEAR (A)
6	98-848-376-110		OPTICAL PICK UP KSS-213B RP
7	92-626-908-010		SHAFT SLED
8	92-627-003-010		GEAR B
A	97-621-255-150		SCREW+P2-3

WIRING-1 (MOTOR)



アイワ株式会社 〒110-8710 東京都台東区池之端1-2-11 ☎03(3827)3111 (代表)
AIWA CO.,LTD. 2-11, IKENOHATA 1-CHOME, TAITO-KU, TOKYO 110-8710, JAPAN TEL:03 (3827) 3111