



<u>CT-X310</u>	YZ(ST)
<u>CT-X325</u>	YVJ(ST)
<u>CT-X320</u>	YZ(ST),YVJ(ST)
<u>CT-X4100</u>	YL(ST)
<u>CT-X4150</u>	YL(ST)

SERVICE MANUAL

STEREO CAR CASSETTE RECEIVER

BASIC TAPE MECHANISM : CDS-363AG1-A

- Replace this Service Manual with "Revision Publishing" when it is issued.

aiwa
S/M Code No. 09-003-339-1T2

SIMPLE
DATA

ELECTRICAL MAIN PARTS LIST - 1

NOTE: The characters in the suffix column indicate the part usage.

X310YZ	XX	C
X325YVJ	XX	D
X320YZ	XX	E
X320YVJ	XX	F
X4100YL	XX	G
X4150YL	XX	H

REF.NO	PARTS NO.	NO.	DESCRIPTION	SUFFIX
C	607		CAP,E 10-16-105 D5*L11 KMF	ABCDEF
IC	301		IC,KIA6225S	ABCDEF
IC	901		C-IC,TC9297FB	ABCDEF
Q	208		TR,KRA226M	ABCDEF
Q	702		C-TR,KRA111S-RTK	ABCDEF
Q	601		C-TR,KRA111S-RTK	ABCDEF
Q	801		C-TR,KRC111S-RTK	ABCDEF
Q	904		C-TR,KRC111S-RTK	ABCDEF
Q	703		C-TR,KTC3875SY-RTK	ABCDEF
Q	301		C-TR,KTC3875SY-RTK	ABCDEF
Q	302		C-TR,KTC3875SY-RTK	ABCDEF
Q	102		C-TR,KTC3875SY-RTK	ABCDEF
Q	107		C-TR,KTC3875SY-RTK	ABCDEF
Q	108		C-TR,KTC3875SY-RTK	ABCDEF
Q	103		C-TR,KTA1504SY-RTK	ABCDEF
Q	109		C-TR,KTA1504SY-RTK	ABCDEF
Q	901		C-TR,KRA226S-RTK	ABCDEF
Q	902		C-TR,KRA226S-RTK	ABCDEF
Q	903		C-TR,KRA226S-RTK	ABCDEF
Q	209		TR,KRC102M-AT	ABCDEF
Q	210		TR,KRA104M-AT	ABCDEF
Q	203		TR,KTA1046Y	ABCDEF
Q	204		TR,KRC111M-AT	ABCDEF
Q	205		TR,KRC111M-AT	ABCDEF
Q	207		TR,KRC111M-AT	ABCDEF
D	609		C-ZENER,STZ6.8T	ABCDEF
PL	901		LAMP,9V-50MA	ABCDEF
PL	902		LAMP,9V-50MA	ABCDEF
W	901		F-CABLE,3P 50MM	ABCDEF
TU	101		TU UNIT,FAE347-P10	...D.F
LCD	901		LCD,AKT-16-17	ABCDEF
CN	201		CONN,16P SOC017	AB...GH
CNA	301		CONN ASSY,3P HEAD	ABCDEF
CNA	302		CONN ASSY,8P MOTOR	ABCDEF
Q	212		TR,KTA1267Y	..CDEF
Q	201		TR,KTC3203Y	ABCDEF
Q	202		TR,KTA1273Y	ABCDEF
L	702	0E	COIL,1UH	ABCDEF
L	101	0E	COIL 4.7 UH	ABCDEF
L	451	0E	COIL 4.7 UH	ABCDEF
L	701	0E	COIL,47UH	ABCDEF
L	801	0E	COIL,47UH	ABCDEF
CN	301	0E	CONNECTOR, 3P	ABCDEF
C	208	0E	CAP,ELECT 100-16V	ABCDEF
C	507	0E	CAP 560P	ABCDEF
C	508	0E	CAP 560P	ABCDEF
C	505	0E	CAP 560P	A.....
C	506	0E	CAP 560P	A.....
C	609	0E	C-CER 1500P	ABCDEF
C	610	0E	C-CER 1500P	ABCDEF
C	611	0E	C-CER 1500P	ABCDEF
C	612	0E	C-CER 1500P	ABCDEF
C	407	0E	CHIP CAPACITOR 3300P(K)	ABCDEF
C	408	0E	CHIP CAPACITOR 3300P(K)	ABCDEF
C	119	0E	CAP, CHIP 0.047	ABCDEF
C	120	0E	CAP, CHIP 0.047	ABCDEF
C	402	0E	CHIP CAPACITOR,0.1-25	ABCDEF
C	425	0E	CHIP CAPACITOR,0.1-25	ABCDEF
C	426	0E	CHIP CAPACITOR,0.1-25	ABCDEF
C	706	0E	CAP, CHIP 0.01 DM	ABCDEF
C	902	0E	CAP, CHIP 0.01 DM	ABCDEF
C	703	0E	CAP, CHIP 0.022	ABCDEF
C	409	0E	CAP, CHIP 0.022	ABCDEF
C	410	0E	CAP, CHIP 0.022	ABCDEF
C	702	0E	CAP, ELECT 220-10V	ABCDEF
C	305	0E	CAP, ELECT 100-10V	ABCDEF
C	306	0E	CAP, ELECT 100-10V	ABCDEF
C	311	0E	CAP, ELECT 100-10V	ABCDEF
C	205	0E	CAP, ELECT 100-10V	ABCDEF
C	705	0E	C-CAP,S 22P-50V	ABCDEF
C	708	0E	C-CAP,S 22P-50V	ABCDEF
C	707	0E	C-CAP,S 27P-50 CH	ABCDEF
C	303	0E	CAP, ELECT 10-16SME	ABCDEF
C	304	0E	CAP, ELECT 10-16SME	ABCDEF
C	411	0E	CAP, ELECT 10-16SME	ABCDEF
C	412	0E	CAP, ELECT 10-16SME	ABCDEF
C	417	0E	CAP, ELECT 10-16SME	ABCDEF
C	418	0E	CAP, ELECT 10-16SME	ABCDEF
C	424	0E	CAP, ELECT 10-16SME	ABCDEF
C	211	0E	CAP, ELECT 10-16SME	ABCDEF
C	503	0E	CAP, ELECT 10-16SME	ABCDEF
C	504	0E	CAP, ELECT 10-16SME	ABCDEF

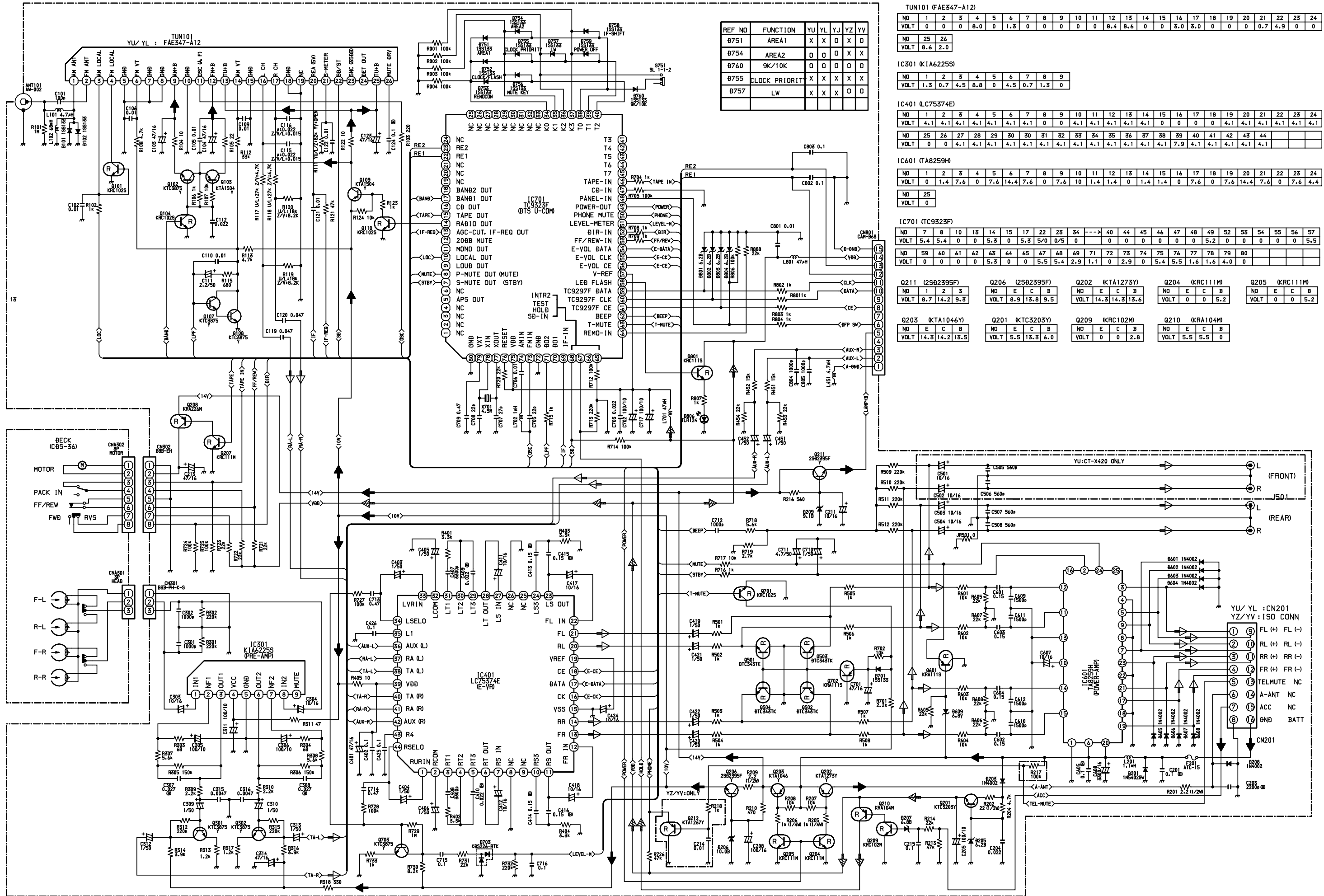
ELECTRICAL MAIN PARTS LIST - 2

C	501	87-010-378-010	OE CAP, ELECT 10-16SME	A.....
C	502	87-010-378-010	OE CAP, ELECT 10-16SME	A.....
C	701	87-010-380-010	OE CAP,E 47-16 SME	ABCDEF GH.....
C	314	87-010-380-010	OE CAP,E 47-16 SME	ABCDEF GH.....
C	103	87-010-380-010	OE CAP,E 47-16 SME	ABCDEF GH.....
C	104	87-010-380-010	OE CAP,E 47-16 SME	ABCDEF GH.....
C	123	87-010-380-010	OE CAP,E 47-16 SME	ABCDEF GH.....
C	401	87-010-380-010	OE CAP,E 47-16 SME	ABCDEF GH.....
C	213	87-010-380-010	OE CAP,E 47-16 SME	ABCDEF GH.....
C	710	87-010-401-010	OE CAP, ELECT 1-50V	ABCDEF GH.....
C	309	87-010-401-010	OE CAP, ELECT 1-50V	ABCDEF GH.....
C	310	87-010-401-010	OE CAP, ELECT 1-50V	ABCDEF GH.....
C	312	87-010-401-010	OE CAP, ELECT 1-50V	ABCDEF GH.....
C	313	87-010-401-010	OE CAP, ELECT 1-50V	ABCDEF GH.....
C	403	87-010-401-010	OE CAP, ELECT 1-50V	ABCDEF GH.....
C	404	87-010-401-010	OE CAP, ELECT 1-50V	ABCDEF GH.....
C	405	87-010-401-010	OE CAP, ELECT 1-50V	ABCDEF GH.....
C	406	87-010-401-010	OE CAP, ELECT 1-50V	ABCDEF GH.....
C	419	87-010-401-010	OE CAP, ELECT 1-50V	ABCDEF GH.....
C	420	87-010-401-010	OE CAP, ELECT 1-50V	ABCDEF GH.....
C	421	87-010-401-010	OE CAP, ELECT 1-50V	ABCDEF GH.....
C	422	87-010-401-010	OE CAP, ELECT 1-50V	ABCDEF GH.....
C	451	87-010-401-010	OE CAP, ELECT 1-50V	ABCDEF GH.....
C	452	87-010-401-010	OE CAP, ELECT 1-50V	ABCDEF GH.....
C	111	87-010-402-080	OE CAP, ELECT 2.2-50V	ABCDEF GH.....
C	711	87-010-404-010	OE CONDENSER 4.7-50	ABCDEF GH.....
C	712	87-012-349-080	OE C-CAP,S 1000P-50 CH	ABCDEF GH.....
C	804	87-012-349-080	OE C-CAP,S 1000P-50 CH	ABCDEF GH.....
C	805	87-012-349-080	OE C-CAP,S 1000P-50 CH	ABCDEF GH.....
C	901	87-012-358-080	OE C-CAP,S 0.47-10 F Z	ABCDEF GH.....
C	307	87-012-365-080	OE C-CAP,S 0.027-25VBK	ABCDEF GH.....
C	308	87-012-365-080	OE C-CAP,S 0.027-25VBK	ABCDEF GH.....
C	601	87-016-083-080	OE C-CAP,S 0.15-16 RK	ABCDEF GH.....
C	602	87-016-083-080	OE C-CAP,S 0.15-16 RK	ABCDEF GH.....
C	603	87-016-083-080	OE C-CAP,S 0.15-16 RK	ABCDEF GH.....
C	604	87-016-083-080	OE C-CAP,S 0.15-16 RK	ABCDEF GH.....
C	709	87-016-526-080	OE C-CAP,S 0.47-16 BK	ABCDEF GH.....
C	713	87-016-526-080	OE C-CAP,S 0.47-16 BK	ABCDEF GH.....
C	714	87-016-526-080	OE C-CAP,S 0.47-16 BK	ABCDEF GH.....
C	715	87-016-669-080	OE C-CAP,S 0.1-25 K B	ABCDEF GH.....
C	716	87-016-669-080	OE C-CAP,S 0.1-25 K B	ABCDEF GH.....
D	907	87-017-827-070	OE C-LED,SEC 1201C RED	ABCDEF GH.....
D	908	87-017-827-070	OE C-LED,SEC 1201C RED	ABCDEF GH.....
D	909	87-017-827-070	OE C-LED,SEC 1201C RED	ABCDEF GH.....
C	101	87-018-119-080	OE CAP, CER 100P-50V	ABCDEF GH.....
C	301	87-018-131-080	OE CAP, CER 1000P-50V	ABCDEF GH.....
C	302	87-018-131-080	OE CAP, CER 1000P-50V	ABCDEF GH.....
C	203	87-018-132-010	OE CAP CER CYL SS 2200P	ABCDEF GH.....
C	102	87-018-134-080	OE CAPACITOR,TC-U 0.01-16	ABCDEF GH.....
C	105	87-018-134-080	OE CAPACITOR,TC-U 0.01-16	ABCDEF GH.....
C	106	87-018-134-080	OE CAPACITOR,TC-U 0.01-16	ABCDEF GH.....
C	109	87-018-134-080	OE CAPACITOR,TC-U 0.01-16	ABCDEF GH.....
C	110	87-018-134-080	OE CAPACITOR,TC-U 0.01-16	ABCDEF GH.....
C	121	87-018-134-080	OE CAPACITOR,TC-U 0.01-16	ABCDEF GH.....
C	122	87-018-134-080	OE CAPACITOR,TC-U 0.01-16	ABCDEF GH.....
C	214	87-018-134-080	OE CAPACITOR,TC-U 0.01-16	..CDEF.....
C	801	87-018-134-080	OE CAPACITOR,TC-U 0.01-16	ABCDEF GH.....
C	112	87-018-205-080	OE CAP, CERA-SOL 0.022	ABCDEF GH.....
C	204	87-018-205-080	OE CAP, CERA-SOL 0.022	ABCDEF GH.....
C	124	87-018-209-080	OE CAP, CER 0.1-50V	ABCDEF GH.....
C	605	87-018-209-080	OE CAP, CER 0.1-50V	ABCDEF GH.....
C	201	87-018-209-080	OE CAP, CER 0.1-50V	ABCDEF GH.....
C	215	87-018-209-080	OE CAP, CER 0.1-50V	ABCDEF GH.....
C	802	87-018-209-080	OE CAP, CER 0.1-50V	ABCDEF GH.....
C	803	87-018-209-080	OE CAP, CER 0.1-50V	ABCDEF GH.....
D	806	87-027-262-010	OE LEDE,TLR-124(RED)	ABCDEF GH.....
S	901	87-036-251-080	OE SW,T CT 6X3.5 160	ABCDEF GH.....
S	902	87-036-251-080	OE SW,T CT 6X3.5 160	ABCDEF GH.....
S	903	87-036-251-080	OE SW,T CT 6X3.5 160	ABCDEF GH.....
S	904	87-036-251-080	OE SW,T CT 6X3.5 160	ABCDEF GH.....
S	906	87-036-251-080	OE SW,T CT 6X3.5 160	ABCDEF GH.....
S	907	87-036-251-080	OE SW,T CT 6X3.5 160	ABCDEF GH.....
S	908	87-036-251-080	OE SW,T CT 6X3.5 160	ABCDEF GH.....
S	909	87-036-251-080	OE SW,T CT 6X3.5 160	ABCDEF GH.....
S	910	87-036-251-080	OE SW,T CT 6X3.5 160	ABCDEF GH.....
S	913	87-036-251-080	OE SW,T CT 6X3.5 160	ABCDEF GH.....
CN	302	87-099-408-010	OE CONN,8P EH V WHT	ABCDEF GH.....
C	413	87-A11-177-080	OE C-CAP,S 0.15-16 K B	ABCDEF GH.....
C	414	87-A11-177-080	OE C-CAP,S 0.15-16 K B	ABCDEF GH.....
C	415	87-A11-177-080	OE C-CAP,S 0.15-16 K B	ABCDEF GH.....
C	416	87-A11-177-080	OE C-CAP,S 0.15-16 K B	ABCDEF GH.....
J	501	87-A61-224-010	1A JACK,PIN 4P XR-401	A.....
J	501	87-A61-225-010	1A JACK,PIN 2P XR-401	.BCDEF GH.....
S	905	87-A90-001-080	1A C-SW,TACT SKQMAL	ABCDEF GH.....
S	911	87-A90-001-080	1A C-SW,TACT SKQMAL	ABCDEF GH.....
S	912	87-A90-001-080	1A C-SW,TACT SKQMAL	ABCDEF GH.....
S	915	87-A90-001-080	1A C-SW,TACT SKQMAL	ABCDEF GH.....
S	916	87-A90-001-080	1A C-SW,TACT SKQMAL	ABCDEF GH.....
S	751	87-A91-152-010	1A SW,SL 1-1-2 SSSS212-11-A	ABCDEF GH.....
CN	901	88-KTA-602-010	1A CONN,15P CAM-B67	ABCDEF GH.....
ANT	101	8Z-KT1-614-010	1A ANT,AW-002	ABCDEF GH.....
L	102	8Z-KT1-619-010	1A COIL,68MH K7-D	ABCDEF GH.....
J	901	87-A61-229-010	1B JACK,3.5 BLK ST W/SW	ABCDEF GH.....

ELECTRICAL MAIN PARTS LIST - 3

X	701	87-A70-175-010	1B	VIB,XTAL 4.5MHZ AT-49	ABCDEF
VR	901	87-A91-597-010	1B	SW,RTRY SIM-026MT	ABCDEF
C	608	8Z-KT1-633-090	1B	CAP,E 3300U-16 PW	ABCDEF
CN	801	88-KTA-603-010	1C	CONN,15P CAM-B68	ABCDEF
L	201	8Z-KT1-615-010	1C	FLTR,AMORPHOUS -CHOKE	ABCDEF
CNA	202	8A-KT1-632-010	1D	CONN ASSY,8P ISO-WHITE-A	..CDEF
D	910	87-A40-813-040	1E	C-LED,SEC1E01C BLUE	ABCDEF
D	911	87-A40-813-040	1E	C-LED,SEC1E01C BLUE	ABCDEF
D	912	87-A40-813-040	1E	C-LED,SEC1E01C BLUE	ABCDEF
CN	201	8A-KT1-631-010	1E	CONN ASSY,8P ISO-BLACK-A	..CDEF
TU	101	8A-KC8-620-010	2B	TU UNIT, FAE347-A11	..C.E.
TU	101	8A-KC8-621-010	2B	TU UNIT, FAE347-A12	AB....GH
D	601	87-001-783-080	0E	DIODE,1N4002	ABCDEF
D	602	87-001-783-080	0E	DIODE,1N4002	ABCDEF
D	603	87-001-783-080	0E	DIODE,1N4002	ABCDEF
D	604	87-001-783-080	0E	DIODE,1N4002	ABCDEF
D	605	87-001-783-080	0E	DIODE,1N4002	ABCDEF
D	606	87-001-783-080	0E	DIODE,1N4002	ABCDEF
D	607	87-001-783-080	0E	DIODE,1N4002	ABCDEF
D	608	87-001-783-080	0E	DIODE,1N4002	ABCDEF
D	203	87-001-783-080	0E	DIODE,1N4002	ABCDEF
D	208	87-001-783-080	0E	DIODE,1N4002	ABCDEF
D	205	87-017-932-080	0E	ZENER,MTJ6.2B	ABCDEF
D	801	87-017-932-080	0E	ZENER,MTJ6.2B	ABCDEF
D	802	87-017-932-080	0E	ZENER,MTJ6.2B	ABCDEF
D	803	87-017-932-080	0E	ZENER,MTJ6.2B	ABCDEF
D	804	87-017-932-080	0E	ZENER,MTJ6.2B	ABCDEF
D	754	87-020-465-080	0E	DIODE,1SS133 (110MA)	AB....GH
D	760	87-020-465-080	0E	DIODE,1SS133 (110MA)	ABCDEF
D	757	87-020-465-080	0E	DIODE,1SS133 (110MA)	..CDEF
D	701	87-020-465-080	0E	DIODE,1SS133 (110MA)	ABCDEF
D	751	87-020-465-080	0E	DIODE,1SS133 (110MA)	...D.F
D	101	87-020-465-080	0E	DIODE,1SS133 (110MA)	ABCDEF
D	102	87-020-465-080	0E	DIODE,1SS133 (110MA)	ABCDEF
D	901	87-020-585-080	0E	CHIP-ZENER,02CZ6.2Y	ABCDEF
D	902	87-020-585-080	0E	CHIP-ZENER,02CZ6.2Y	ABCDEF
D	903	87-020-585-080	0E	CHIP-ZENER,02CZ6.2Y	ABCDEF
Q	501	87-026-576-080	0E	C-TR,DTC343TK	ABCDEF
Q	502	87-026-576-080	0E	C-TR,DTC343TK	ABCDEF
Q	503	87-026-576-080	0E	C-TR,DTC343TK	ABCDEF
Q	504	87-026-576-080	0E	C-TR,DTC343TK	ABCDEF
D	206	87-070-334-080	0E	ZENER,MTZJ10B	ABCDEF
Q	701	87-A30-468-040	0E	C-TR,KRC102S-RTK	ABCDEF
Q	101	87-A30-468-040	0E	C-TR,KRC102S-RTK	ABCDEF
Q	104	87-A30-468-040	0E	C-TR,KRC102S-RTK	ABCDEF
Q	110	87-A30-468-040	0E	C-TR,KRC102S-RTK	ABCDEF
D	207	87-A40-337-080	0E	ZENER,MTZJ 6.8B	ABCDEF
D	209	87-A40-523-080	0E	ZENER,MTZJ9.1B	ABCDEF
D	201	87-A40-798-010	0E	DIODE,1N5402 (3A/200V)	ABCDEF
D	703	87-A40-830-040	0E	DIODE,KDS226-RTK	ABCDEF
Q	206	89-423-953-010	1A	TR,2SD2395F	ABCDEF
Q	211	89-423-953-010	1A	TR,2SD2395F	ABCDEF
F	201	8Z-KC1-621-010	1B	FUSE,15A 32V	ABCDEF
IC	701	87-A21-539-030	2A	C-IC,TC9323F-XXX	ABCDEF
IC	401	8Z-KT1-622-010	2A	C-IC,LC75374E	ABCDEF
IC	601	8Z-KTG-622-010	2A	IC,TA8259H	ABCDEF

SCHEMATIC DIAGRAM-1



REF NO	FUNCTION	YU	YL	YJ	YZ	YV
D751	AREA1	X	X	0	X	0
D754	AREA2	0	0	0	X	X
D760	9K/10K	0	0	0	0	0
D755	CLOCK PRIORIT	X	X	X	X	X
D757	LW	X	X	X	0	0

TUN101 (FAE347-A12)

NO	1	2	3	4	5	6	7	8	9	10	11	12	13	14	15	16	17	18	19	20	21	22	23	24		
VOLT	0	0	0	0	8.0	0	1.3	0	0	0	0	0	0	8.4	8.6	0	0	3.0	3.0	0	0	0	0.7	4.9	0	0

IC301 (K1A6225S)

NO	1	2	3	4	5	6	7	8	9
VOLT	1.3	0.7	4.5	8.8	0	4.5	0.7	1.3	0

IC401 (LC75374E)

NO	1	2	3	4	5	6	7	8	9	10	11	12	13	14	15	16	17	18	19	20	21	22	23	24
VOLT	4.1	4.1	4.1	4.1	4.1	4.1	4.1	0	0	4.1	4.1	4.1	4.1	4.1	4.1	0	0	4.1	4.1	4.1	4.1	4.1	4.1	4.1
VOLT	0	0	4.1	4.1	4.1	4.1	4.1	4.1	4.1	4.1	4.1	4.1	4.1	4.1	4.1	4.1	7.9	4.1	4.1	4.1	4.1	4.1	4.1	4.1

IC601 (TA8259H)

NO	1	2	3	4	5	6	7	8	9	10	11	12	13	14	15	16	17	18	19	20	21	22	23	24
VOLT	0	1.4	7.6	0	7.6	14.4	7.6	0	7.6	10	1.4	1.4	0	1.4	1.4	0	7.6	0	7.6	14.4	7.6	0	7.6	4.4

IC701 (TC9323F)

NO	7	8	10	13	14	15	17	22	23	34	40	44	45	46	47	48	49	52	53	54	55	56	57
VOLT	5.4	5.4	0	0	5.3	0	5.3	5/0	0/5	0	0	0	0	0	0	0	5.2	0	0	0	0	0	0
VOLT	0	0	0	0	5.3	0	0	5.5	5.4	2.9	1.1	0	2.9	0	5.4	5.5	1.6	1.6	4.0	0	0	0	0

Q211 (2S02395F)

NO	1	2	5
VOLT	8.7	14.2	9.5

Q206 (2S02395F)

NO	E	C	B
VOLT	8.9	15.8	9.5

Q202 (KTA1273Y)

NO	E	C	B
VOLT	14.3	14.5	13.6

Q204 (KRC111M)

NO	E	C	B
VOLT	0	0	5.2

Q205 (KRC111M)

NO	E	C	B
VOLT	0	0	5.2

Q203 (KTA1046Y)

NO	E	C	B
VOLT	14.5	14.2	13.5

Q201 (KTC3203Y)

NO	E	C	B
VOLT	5.5	15.3	6.0

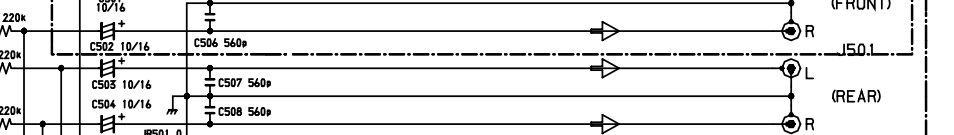
Q209 (KRC102M)

NO	E	C	B
VOLT	0	0	2.8

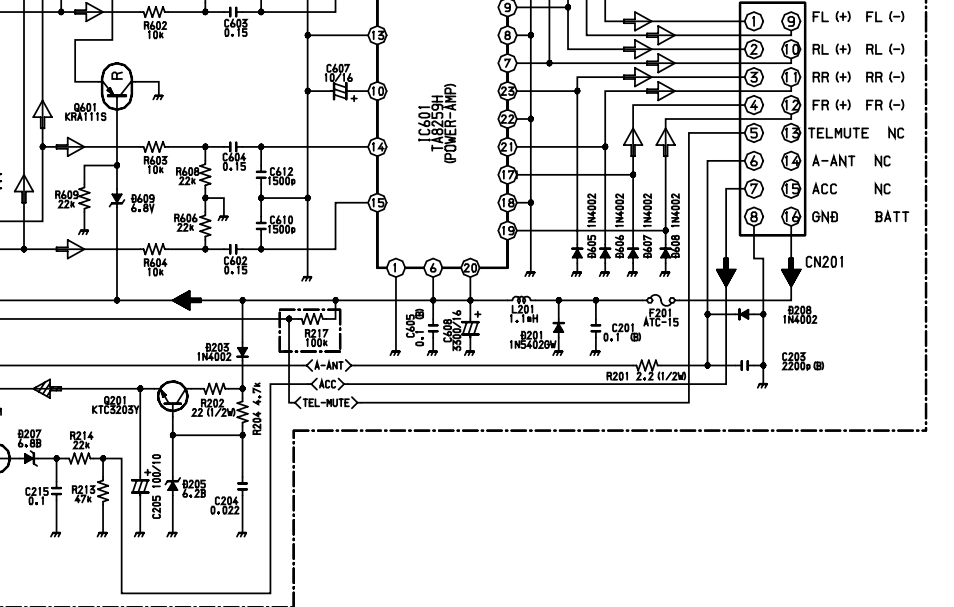
Q210 (KRA104M)

NO	E	C	B
VOLT	5.5	5.5	0

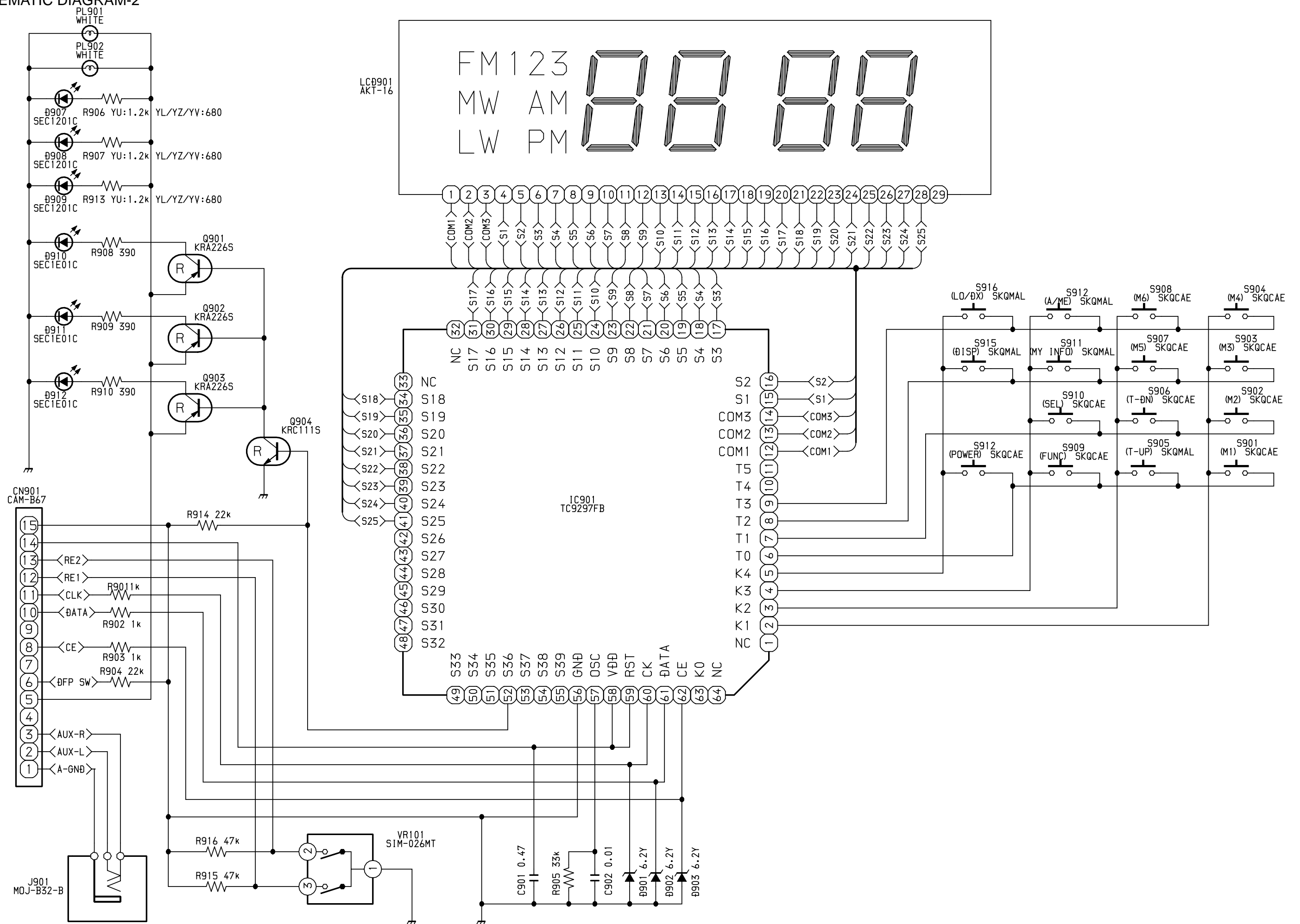
YU:CT-X420 ONLY



YU/YL : CN201 YZ/YV : ISO CONN



SCHEMATIC DIAGRAM-2



MECHANICAL PARTS LIST - 1

NOTE: The characters in the suffix column indicate the part usage.

X310YZXXC
X325YVJXXD
X320YZXXE
X320YVJXXF
X4100YLXXG
X4150YLXXH

REF.NO	PARTS NO.	NO.	DESCRIPTION	SUFFIX
	87-KTE-205-010		SPR-C,EJ/FF/REW	ABCDEFGH.....
	88-KT1-250-010		S-SCREW,THIN HEAD+2.6-4 BLK	ABCDEFGH.....
	8A-KT4-005-010		BTN,PWR 4	..C.....
	8A-KT4-007-010		BTN,SEL 4	..C.....
	8A-KT4-009-010		BTN,PS 4	..C.....
	8A-KT4-010-010		WINDOW,R 4	..C.....
	8A-KT4-011-010		WINDOW,L 4	..C.....
	8A-KT5-012-010		BTN,PWR	AB.DEFGH.....
	8A-KT5-013-010		BTN,DISP	AB.DEFGH.....
	8A-KT5-014-010		BTN,A/M	AB.DEFGH.....
	8A-KT5-015-010		BTN,LO	ABCDEFGH.....
	8A-KT5-016-010		BTN,INFO	AB.DEFGH.....
	8A-KT5-021-010		RING,RTRY A	ABCDEFGH.....
	8A-KT5-204-010		HLLDR,TR	ABCDEFGH.....
	8A-KT5-210-010		HLLDR,BTN MU	ABCDEFGH.....
	8A-KT5-211-010		HLLDR,BTN DISP	ABCDEFGH.....
	8A-KT5-219-010		HLLDR,ISO-WIRE 5	..CDEF.....
W 901	8A-KT9-611-010		F-CABLE,3P 50MM	ABCDEFGH.....
	8A-KTF-002-010		CABI,REAR F	ABCDEFGH.....
	8A-KTF-003-010		CABI,TRIM F	ABCDEFGH.....
	8A-KTF-004-010		WINDOW,L F	AB.DEFGH.....
	8A-KTF-005-010		WINDOW,R F	AB.DEFGH.....
	8A-KTF-010-010		BTN,EJECT F	ABCDEFGH.....
	8A-KTF-011-010		BTN,FF F	ABCDEFGH.....
	8A-KTF-012-010		BTN,REW F	ABCDEFGH.....
	8A-KTF-013-010		BTN,FNC F	ABCDEFGH.....
	8A-KTF-014-010		CABI,BASE F	ABCDEFGH.....
	8A-KTF-015-010		BTN,DETACH	ABCDEFGH.....
	8A-KTF-020-010		KNOB,RTRY NON RUBBER	ABCDEFGH.....
	8A-KTF-201-010		HLLDR,IC F	ABCDEFGH.....
	8A-KTF-202-010		HLLDR,DECK F	ABCDEFGH.....
	8A-KTF-205-010		LENS,ENCO F	ABCDEFGH.....
	8A-KTF-206-010		LENS,R F	ABCDEFGH.....
	8A-KTG-001-010		CABI,FRONT G	ABCDEFGH.....
	8A-KTG-002-010		WINDOW,LCD X420	A.....
	8A-KTG-003-010		BTN,UP/DN G	ABCDEFGH.....
	8A-KTG-004-010		BTN,P.SET G	ABCDEFGH.....
	8A-KTG-005-010		WINDOW,LCD X410	..B.....
	8A-KTG-006-010		WINDOW,LCD X4100G.....
	8A-KTG-007-010		WINDOW,LCD X4150H.....
	8A-KTG-010-010		WINDOW,LCD X320	...EF.....
	8A-KTG-015-010		BTN,INFO G	..C.....
	8A-KTG-016-010		WINDOW,LCD X325	..D.....
	8A-KTG-017-010		WINDOW,LCD X310	..C.....
	8A-KTG-201-010		HLLDR,LCD G	ABCDEFGH.....
	8A-KTG-202-010		CASE,LCD G	ABCDEFGH.....
	8A-KTG-203-010		LENS,LCD G	ABCDEFGH.....
	8Z-KT1-023-110		DOOR,CASS	ABCDEFGH.....
	8Z-KT1-211-010		COVER, TOP -T	ABCDEFGH.....
	8Z-KT1-212-010		COVER, BOTTOM -T	ABCDEFGH.....
	8Z-KT1-244-010		SPR-T,DOOR Z	ABCDEFGH.....
	8Z-KT1-253-010		S-SCREW,PT 2*8 BH+ BLK	ABCDEFGH.....
	8Z-KT4-201-010		COVER, CD BLIND -T	ABCDEFGH.....
	8Z-KT5-201-010		COVER, ISO BLIND -T	AB...GH.....
	8Z-KTA-203-010		LEVER,DFP LOCK -T10	ABCDEFGH.....
	8Z-KTA-204-110		LEVER,DEF HOOK -T10	ABCDEFGH.....
	8Z-KTA-221-010		SPR-C,DETACH LOCK-T10	ABCDEFGH.....
	8Z-KTA-222-010		SPR-T,DETACH LOCK-T10	ABCDEFGH.....
	8Z-KTA-223-010		SPR-C,RELEASE -T10	ABCDEFGH.....
	8Z-KTG-209-010		CAP,LAMP ORN	..C.....
	87-251-073-410	0E	SCREW,U+2.6-6	ABCDEFGH.....
	87-251-097-410	0E	U+3-12	ABCDEFGH.....
	87-432-903-010	0E	WASHER,WTE 2.6	ABCDEFGH.....
	87-B10-259-010	0E	UT2+3.0-10.0 W/O SLOT (BH TAP)	ABCDEFGH.....
	8Z-KT1-239-010	0E	CAP,LAMP BLU B	AB.DEFGH.....

ACCESSORIES LIST

NOTE: The characters in the suffix column indicate the part usage.

X310YZXX.....	C.....
X325YVJXX.....	D.....
X320YZXX.....	E.....
X320YVJXX.....	F.....
X4100YLXX.....	G.....
X4150YLXX.....	H.....

REF.NO	PARTS NO.	NO.	DESCRIPTION	SUFFIX
*	86-KT1-237-010		HLLDR, REAR MTG	ABCDEFGH.....
	88-KT1-247-010		S-SCREW, HEXAGON	ABCDEFGH.....
	88-KT1-250-010		S-SCREW, THIN HEAD+2.6-4 BLK	ABCDEFGH.....
	8A-KT3-902-010		IB, INST, YZ (9L)-A	..CDEF.....
	8A-KT5-902-010		IB, INST, YU, YL (3L, P)	AB....GH.....
	8A-KTG-901-010		IB, YU(3L) 420	A.....
	8A-KTG-902-010		IB, YU(3L) 410	.B.....
	8A-KTG-903-010		IB, YL(3L) 4100, 4150GH.....
	8A-KTG-904-010		IB, INST, SP (3L, P)-AH.....
	8A-KTG-905-010		IB, YZ(9L) 320	..C.E.....
	8A-KTG-906-010		IB, YV(ER) 320	...D.F.....
	8A-KTG-907-010		IB, INST, SP (ER)-A	...D.....
	8A-KTG-951-010		SPKR, 13CM ASSY	...D.....
	8Z-KT1-030-010		CASE, DFP -T	ABCDEFGH.....
	8Z-KT1-231-010		HLLDR, HALF -T	ABCDEFGH.....
	8Z-KT1-232-010		KEY, REMOVE -T	ABCDEFGH.....
*	8Z-KT1-251-010		S-SCREW, 5*6 TH+ TAPPING ST	ABCDEFGH.....
*	8Z-KT1-625-010		CONN ASSY, 16P SOC016	AB....GH.....
	8Z-KTG-951-010		SPKR, 16CM ASSYH.....
	87-B10-141-010	0E	NUT, 5 TYPE-2	ABCDEFGH.....
*	87-B10-143-010	0E	UT1+5-15 W/O SLOT	ABCDEFGH.....
	87-B10-144-010	0E	W, 5.2-10-0.5	ABCDEFGH.....
	87-B10-145-010	0E	W-SPR, 5.3-8.5-1.5	ABCDEFGH.....



アイワ株式会社 〒110-8710 東京都台東区池之端1-2-11 ☎03(3827)3111 (代表)
AIWA CO.,LTD. 2-11, IKENOHATA 1-CHOME, TAITO-KU, TOKYO 110-8710, JAPAN TEL:03 (3827) 3111