

SERVICE MANUAL

RADIO RECEIVER

SPECIFICATION

power source	AC 110 - 120 V / 220 - 240 V, 50 / 60 Hz, selectable
Output	280 mW (EIAJ)
Power consumption	4 W
Speaker	57 mm, 8 ohms
Frequency range	FM : 87,5 - 108 MHz AM : 530 - 1.650 kHz
Antennas	FM wire antenna Ferrite bar antenna for AM
Maximum outside dimensions (W x H x D)	135 x 120 x 125 mm
Weight	Approx,655 g (1.4 lbs)

• Design and specifications are subject to change without notice.

ACCESSORIES LIST

If can't understand for Description please kindly refer to "REFERENCE NAME LIST".

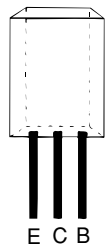
REF. NO	PART NO.	KANRI NO.	DESCRIPTION
1	8A-RUA-902-010	IB,HE (ESC) C<HE>	
1	8A-RUA-904-010	IB,LH (3L) C<HA>	

ELECTRICAL MAIN PARTS LIST

If can't understand for Description please kindly refer to "REFERENCE NAME LIST".

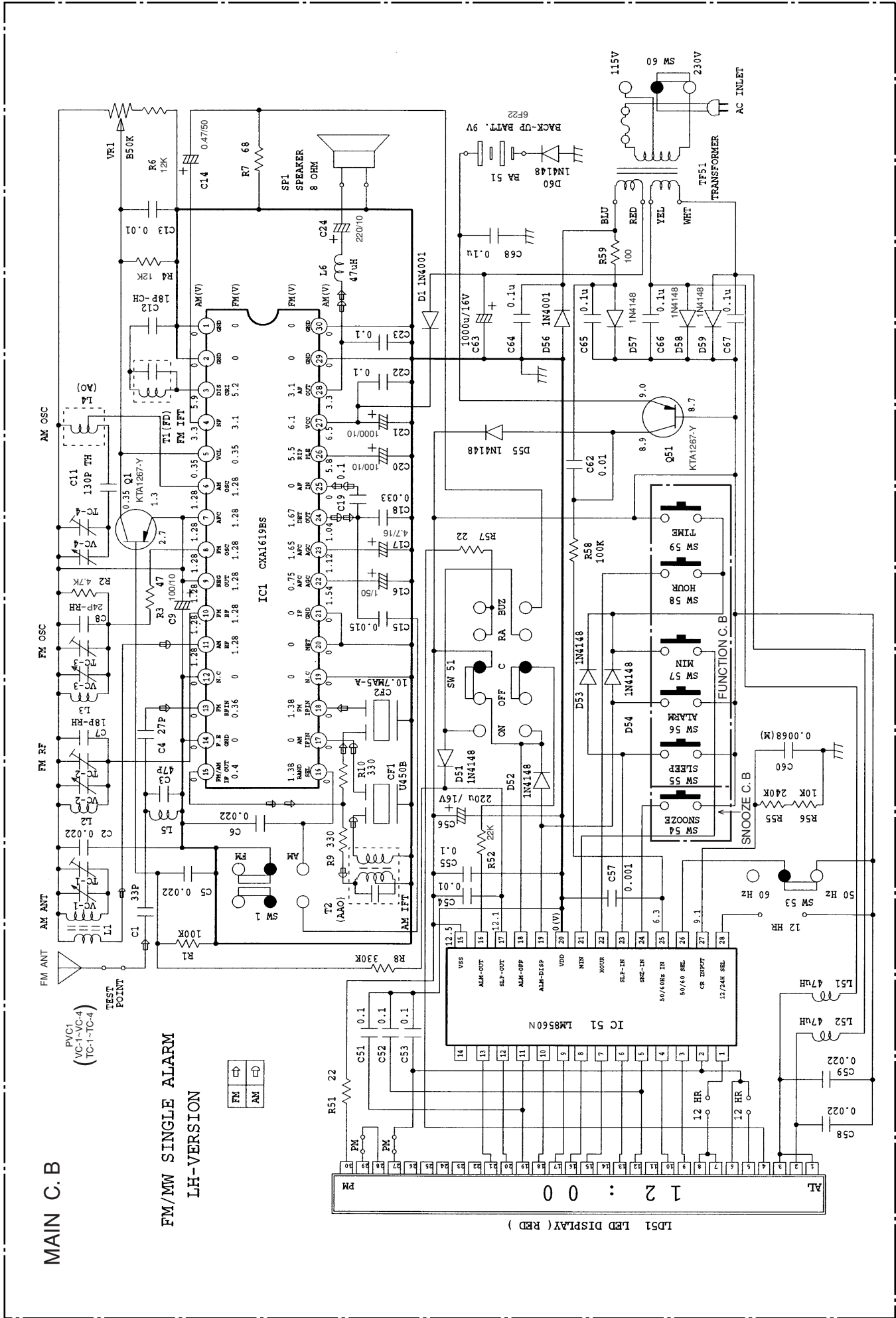
REF. NO	PART NO.	KANRI NO.	DESCRIPTION	REF. NO	PART NO.	KANRI NO.	DESCRIPTION
IC				L4	8A-RUA-623-010		COIL,AM OSC A106 RED
	8A-RUA-605-010	IC,CXA1619BS		L5	8A-RUA-625-010		COIL,FM ANT4.5*4.5T
	87-A21-201-010	IC,LM8560N		L6	87-003-050-010		CHOKO COIL,47UH
TRANSISTOR				L51	87-003-050-010		CHOKO COIL,47UH
	SZ-KTH-623-080	TR,KTA1267-Y		L52	87-003-050-010		CHOKO COIL,47UH
DIODE				LD51	8A-RUA-619-010		LED,ASSY,CLOCK RED
	87-A40-398-010	DIODE,1N4001		PVC1	8A-RUA-616-010		TUN-CAP,20P-126P-126P MP201
	87-070-345-080	DIODE,1N4148		SW1	8A-RUA-612-010		SW,SLIDE 2C2P BAND
MAIN C.B				SW51	8A-RUA-611-010		SW,SLIDE 2C4P FUNCTION
C1	87-018-113-010	CAP CERA 33P		SW53	8A-RUA-613-010		SW,SLIDE 1C2P F-SELECT
C3	87-018-115-010	CAP,TC-U 47P-50 SL		T1	8A-RUA-621-010		IFT,FM FD BLK
C4	87-018-111-010	CAP TC SS 27P		T2	8A-RUA-622-010		IFT,AM AA0 YEL
C7	87-018-163-010	CAP,TC U 18P-50 J RH UP050		VR1	8A-RUA-617-010		VR,RTRY 50KB F-12NPO
C8	87-018-177-010	CAP,TC U 24P-50 J UJ UP050		FUNCTION C.B			
C9	87-010-263-010	CAP, ELECT 100-10V		SW55	8A-RUA-642-010		PLATE,TACT SW
C10	87-018-167-010	CAP,TC-U 5P<U>		SW56	8A-RUA-642-010		PLATE,TACT SW
C12	87-018-150-010	CAP, CERA-SOL 18P CH		SW57	8A-RUA-642-010		PLATE,TACT SW
C14	87-010-400-010	CAP, ELECT 0.47-50SME		SW58	8A-RUA-642-010		PLATE,TACT SW
C16	87-010-401-010	CAP, ELECT 1-50V		SW59	8A-RUA-642-010		PLATE,TACT SW
C17	87-010-404-010	CONDENSER 4.7-16		SNOOZE C.B			
C20	87-010-263-010	CAP, ELECT 100-10V		SW54	8A-RUA-642-010		PLATE,TACT SW
C21	87-010-236-010	ELECTROLYTIC, 1000-10					
C24	87-010-248-010	CAP, ELECT 220-10V					
C63	87-010-237-010	CAP, ELECT 1000-16V					
CF1	87-A91-162-010	FLTR,PFS450A7					
CF2	87-A90-991-010	FLTR,SFE10.7 MS239-A					
L1	8A-RUA-624-010	ANT,BER W/CORE					
L2	8A-RUA-626-010	COIL,FM RF4.5*3.5T					
L3	8A-RUA-627-010	COIL,FM OSC4.7*2.5T					

TRANSISTOR ILLUSTRATION

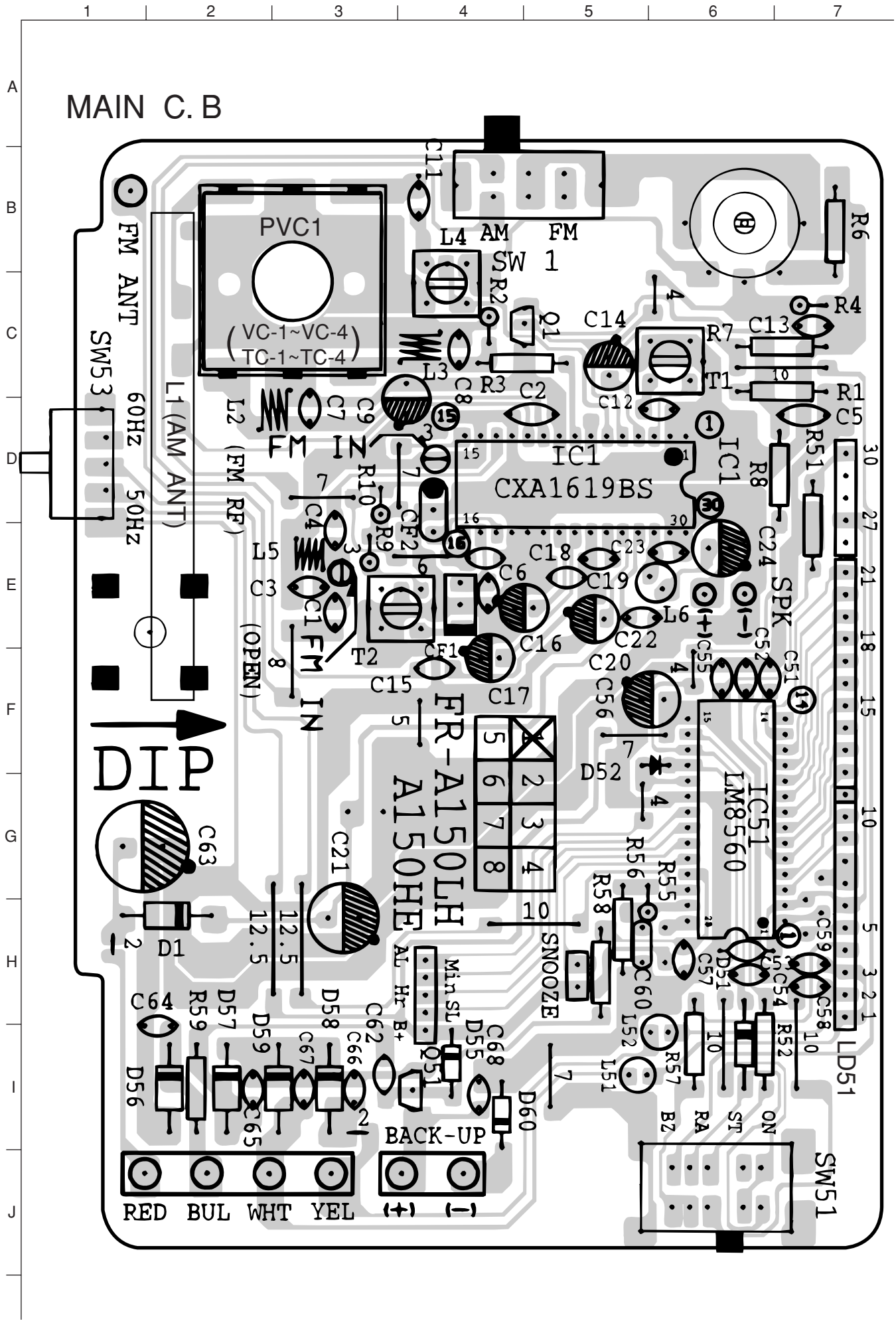


KTA1267-Y

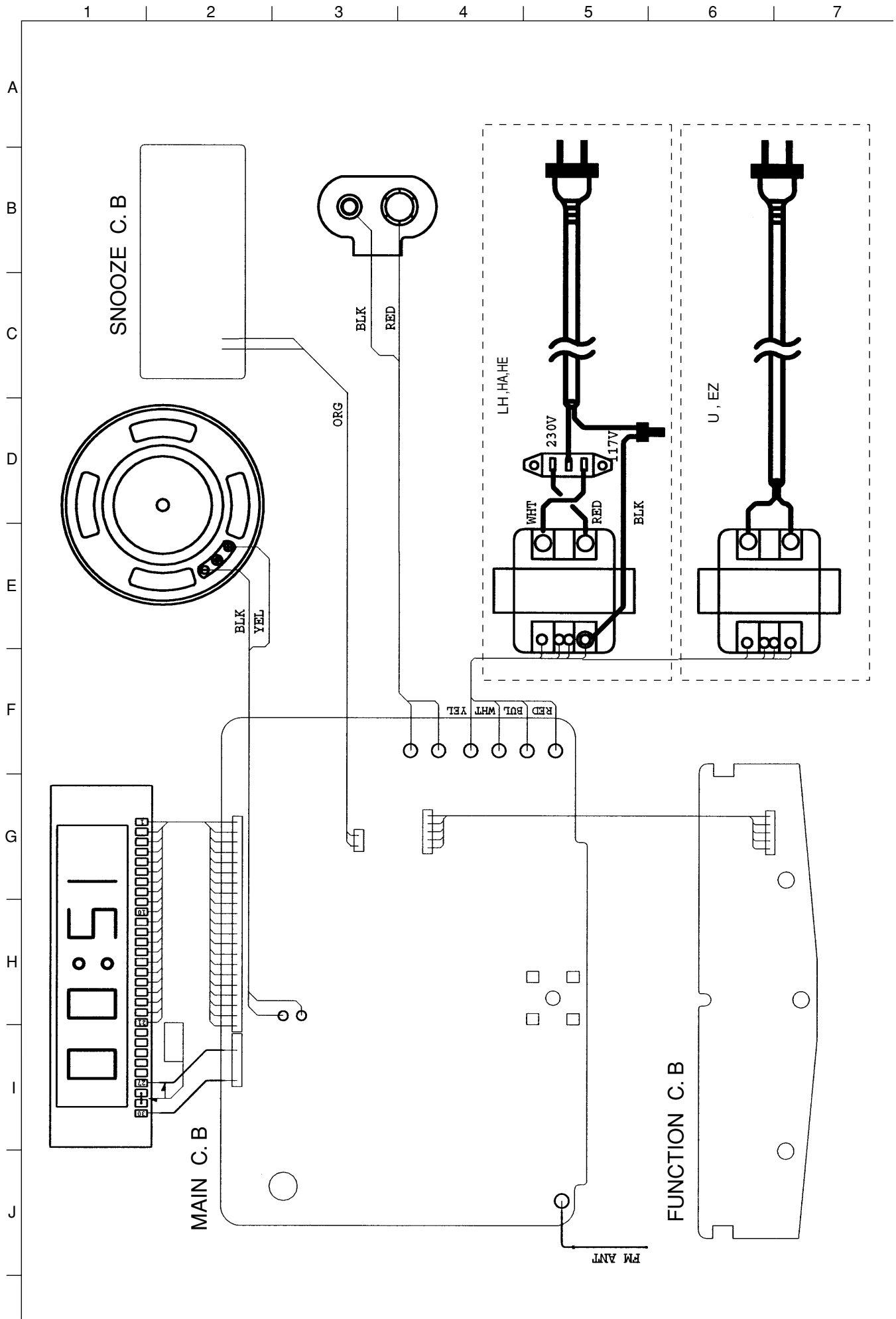
SCHEMATIC DIAGRAM-1



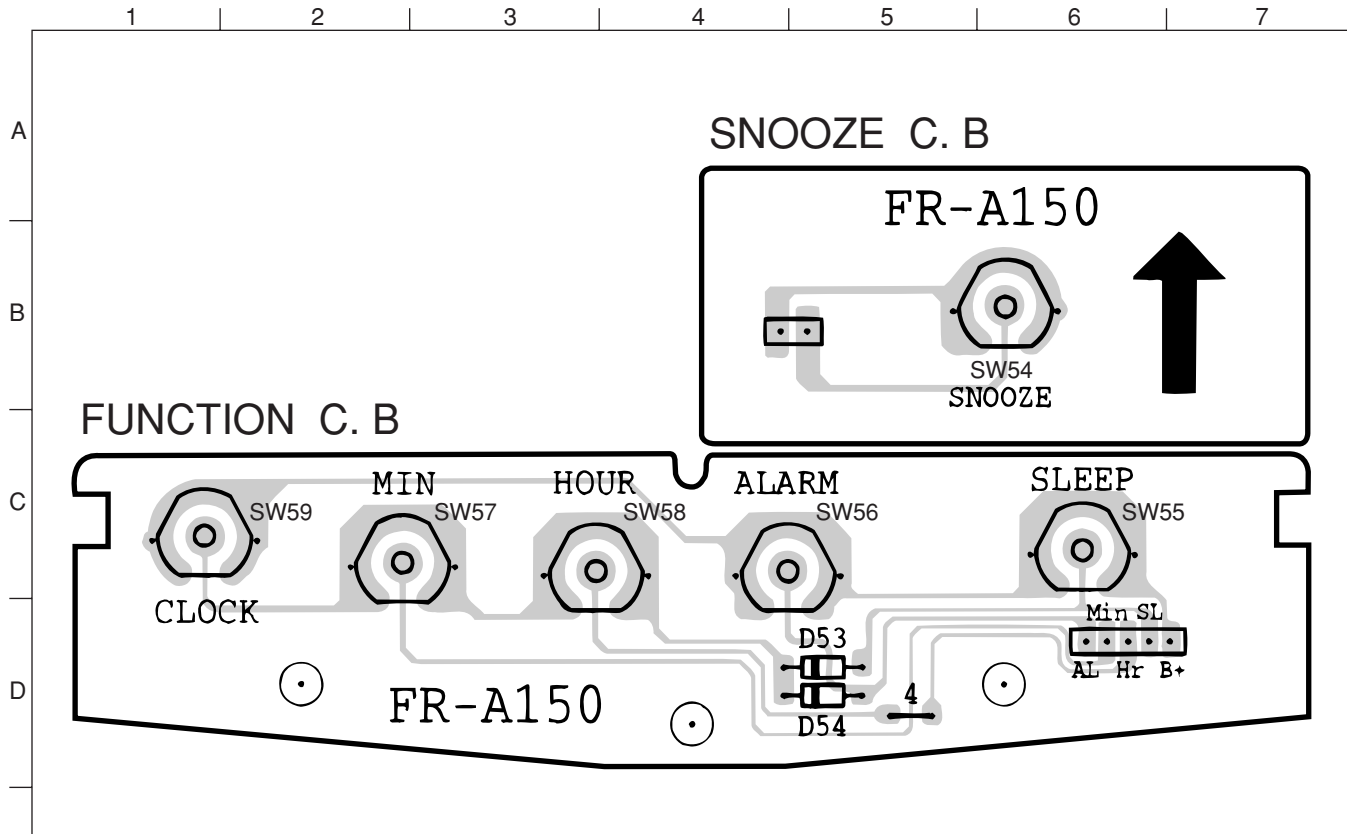
CIRCUIT BOARD DIAGRAM-1 (MAIN C.B)



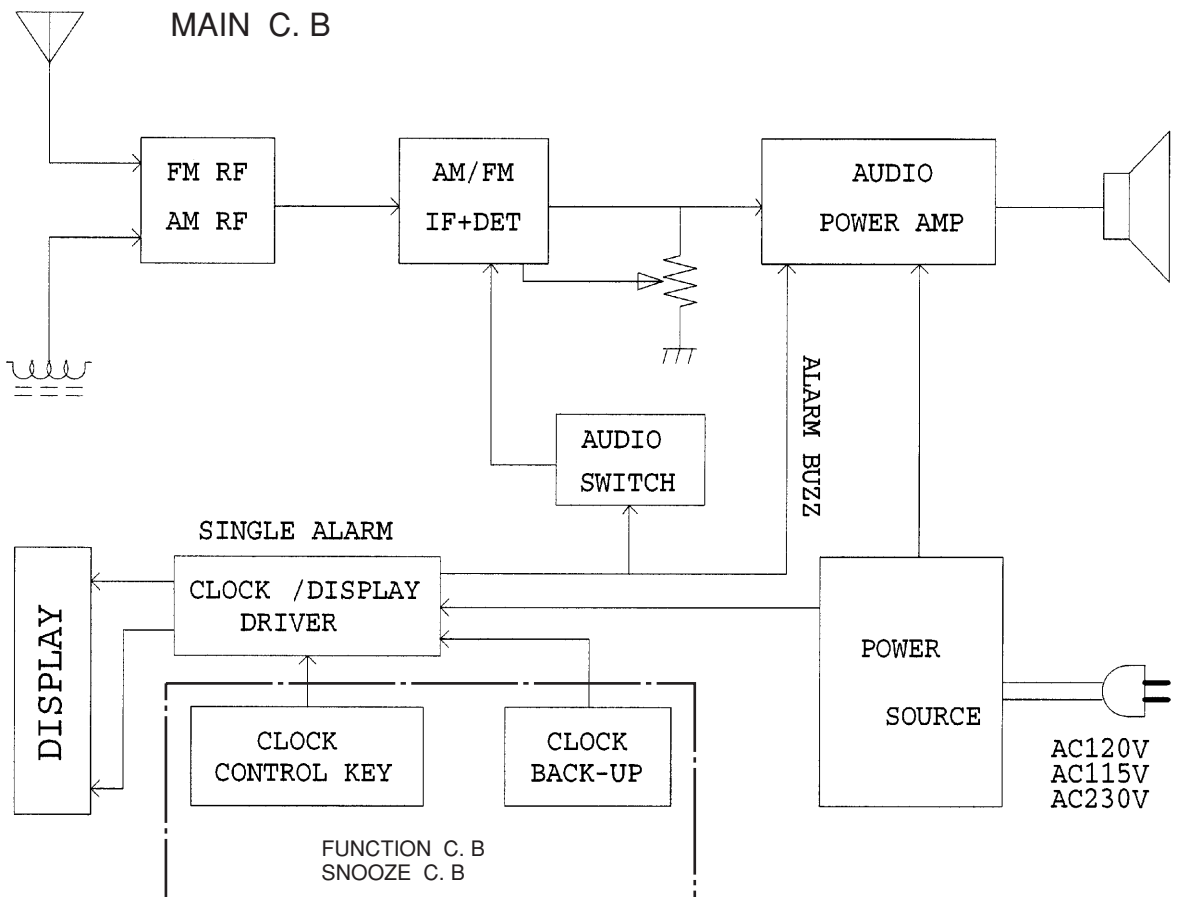
WIRING



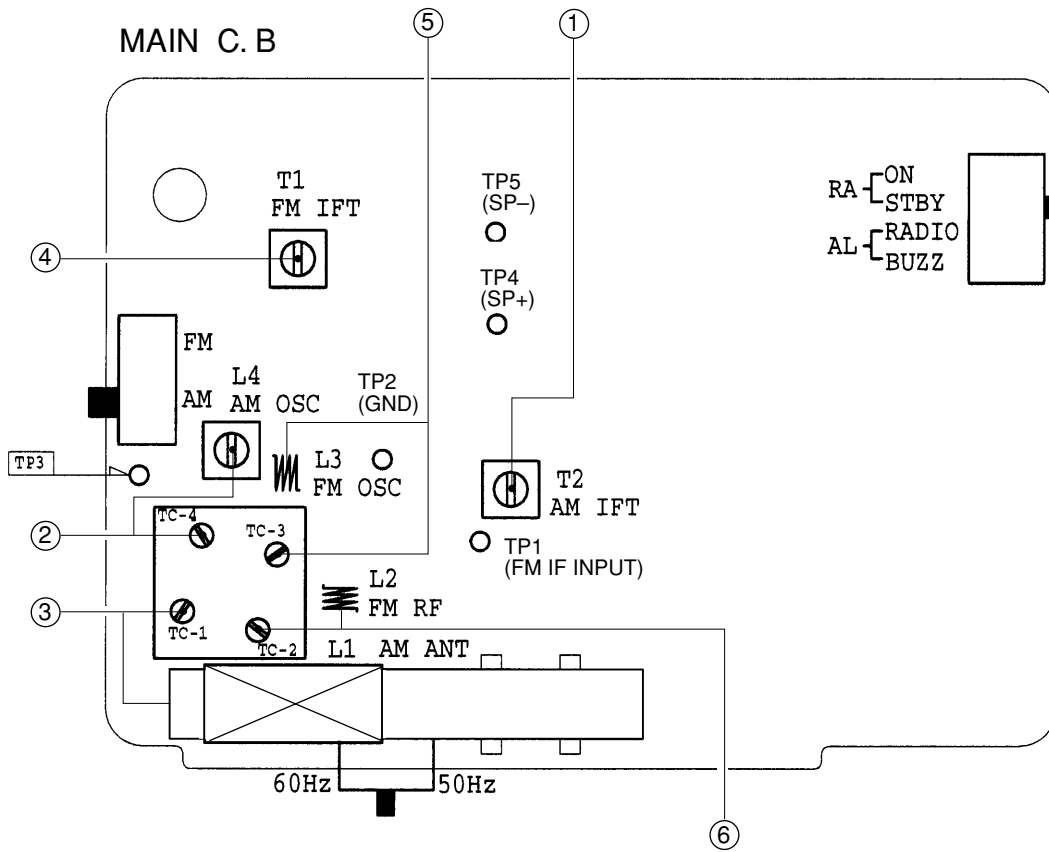
CIRCUIT BOARD DIAGRAM-2 (FUNCTION, SNOOZE C.B)



BLOCK DIAGRAM



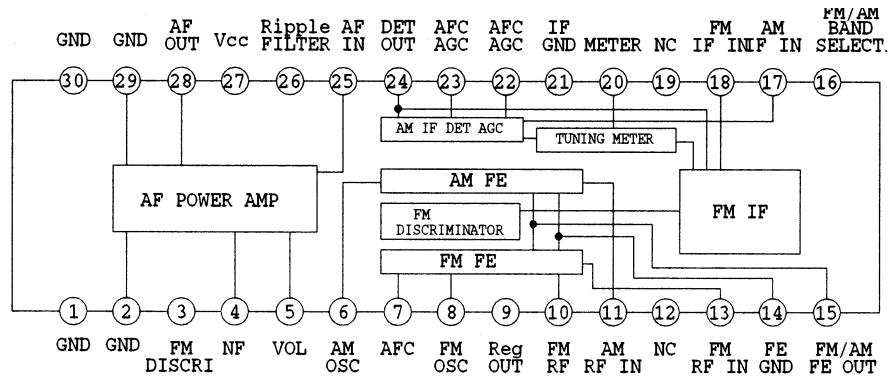
ELECTRICAL ADJUSTMENT



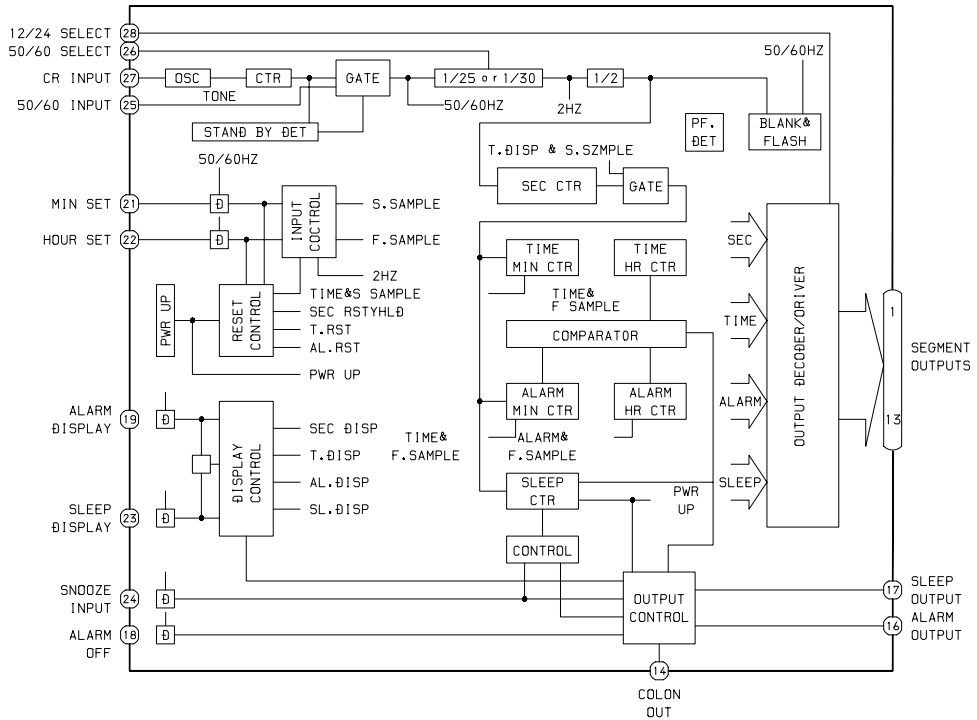
1. AM IF Adjustment
T2 450 kHz
2. AM Freq. Range Adjustment
L4 515 kHz
TC-4 1635 kHz
3. AM Tracking Adjustment
L1 600 kHz
TC-1 1400 kHz
4. FM IF Adjustment
T1 107 MHz
5. FM Freq. Range Adjustment
L3 87.0 MHz
TC-3 109.0 MHz
6. FM Tracking Adjustment
L2 90 MHz
TC-2 106 MHz

IC BLOCK DIAGRAM

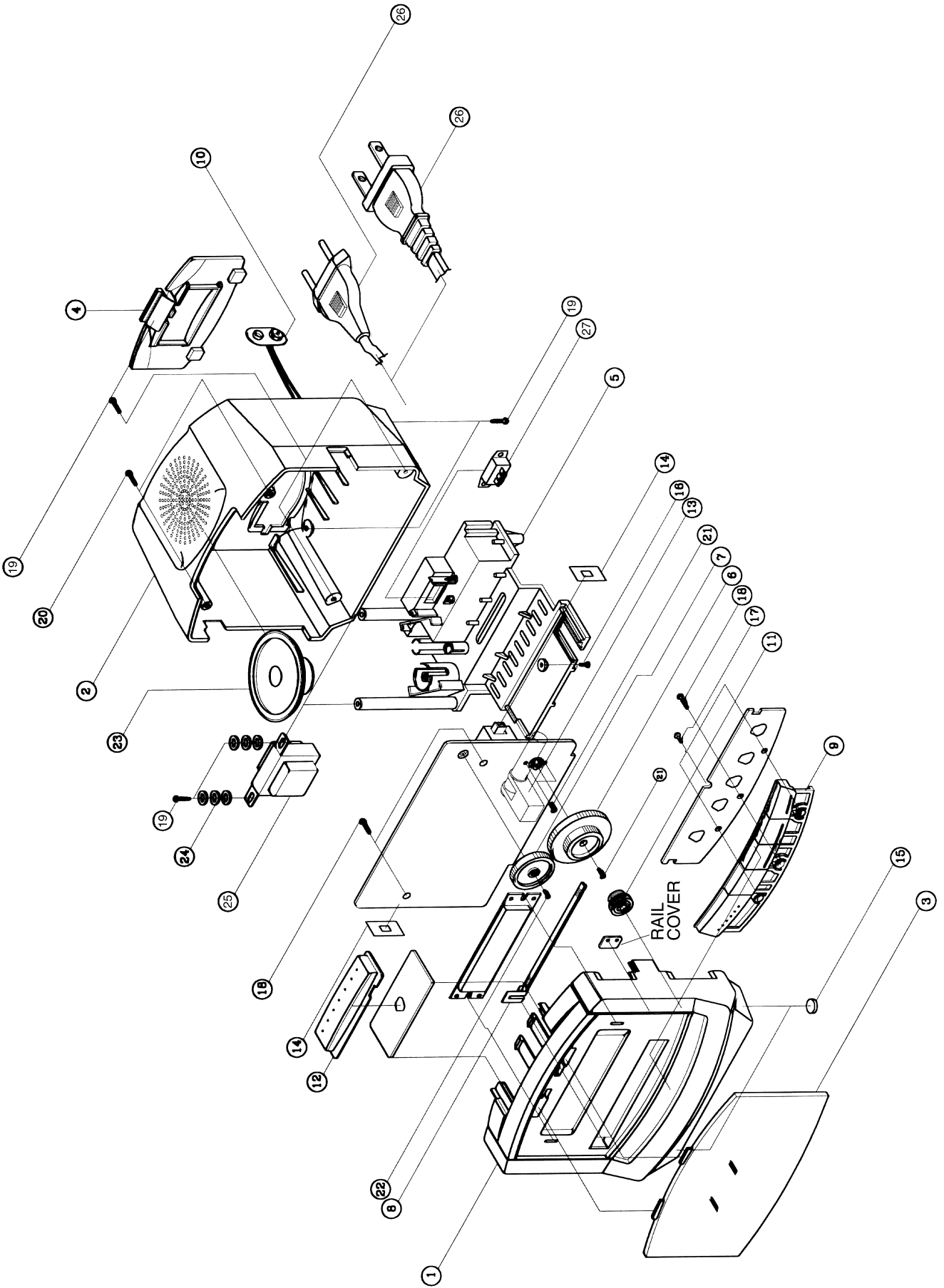
IC, CXA1619BS



IC, LM8560N



MECHANICAL EXPLODED VIEW 1/1



MECHANICAL MAIN PARTS LIST 1/1

If can't understand for Description please kindly refer to "REFERENCE NAME LIST".

REF. NO	PART NO.	KANRI NO.	DESCRIPTION	REF. NO	PART NO.	KANRI NO.	DESCRIPTION
1	8A-RUA-062-010		CABI, FRONT HE S<HE(S)>	12	8A-RUA-065-010		KEY, SNOOZE S<HE(S)>
1	8A-RUA-001-010		CABI, FRONT U B<HA(B)>	12	8A-RUA-008-010		KEY, SNOOZE U B<HA(B)>
2	8A-RUA-063-010		CABI, REAR HE S<HE(S)>	13	8A-RUA-021-010		HLDR, AM ANT
2	8A-RUA-013-010		CABI, REAR LH B<HA(B)>	14	8A-RUA-022-010		COVER, SWITCH
3	8A-RUA-014-010		LENS, DIAL LH<HA(B)>	15	8A-RUA-023-010		FOOT, RUBBER
3	8A-RUA-109-010		LEND, DIAL HR<HE(S)>	16	87-721-094-410		QT2+3-6 GLD
4	8A-RUA-064-010		COVER, BATTERY S<HE(S)>	17	87-741-093-410		SCREW PTS(+) 3x5 PTS0305P
4	8A-RUA-016-010		COVER, BATTERY B<HA(B)>	18	87-B10-156-010		VT2+3-8
5	8A-RUA-067-010		HLDR, TRANS HE S<HE(S)>	19	87-741-096-410		SCREW PTS(+) 3x10 PTS0310P
5	8A-RUA-034-010		HLDR, TRANS LH B<HA(B)>	20	87-B10-183-010		VT2+3-20 W/O SOLT
6	8A-RUA-068-010		KNOB, RTRY TUNING S<HE(S)>	21	87-222-072-410		P+2.6-5 RED
6	8A-RUA-032-010		KNOB, RTRY TUNING B<HA(B)>	22	87-221-024-410		P+1.7-5
7	8A-RUA-069-010		KNOB, RTRY VOLUME S<HE(S)>	23	8A-RUA-628-010		SPKR, 57 80HM 0.5W
7	8A-RUA-033-010		KNOB, RTRY VOLUME B<HA(B)>	24	87-081-998-010		WASHER FIBER 3x6x1.0
8	8A-RUA-019-010		POINTER, DIAL ORANGE	△	25	8A-RUA-632-010	PT, LH 115/230V W/O ACCORD
9	8A-RUA-066-010		KEY, CONTROL S<HE(S)>	△	26	8A-RUA-633-010	CORD, AC POWERVDE TYP<HE(S)>
9	8A-RUA-018-010		KEY, CONTROL B<HA(B)>	△	26	8A-RUA-629-010	CORD, AC CORDHA TEP<HA(B)>
10	8A-RUA-634-010		SOCKET, 2P BATTERY	△	27	8A-RUA-614-010	SW, SLIDE 1C2P V-SELECT
11	8A-RUA-070-010		GEAR, TUNING S<HE(S)>				
11	8A-RUA-020-010		GEAR, TUNING<HA(B)>				

COLOR NAME TABLE

Basic color symbol	Color	Basic color symbol	Color	Basic color symbol	Color
B	Black	C	Cream	D	Orange
G	Green	H	Gray	L	Blue
LT	Transparent Blue	N	Gold	P	Pink
R	Red	S	Silver	ST	Titan Silver
T	Brown	V	Violet	W	White
WT	Transparent White	Y	Yellow	YT	Transparent Yellow
LM	Metallic Blue	LL	Light Blue	GT	Transparent Green
LD	Dark Blue	DT	Transparent Orange		

