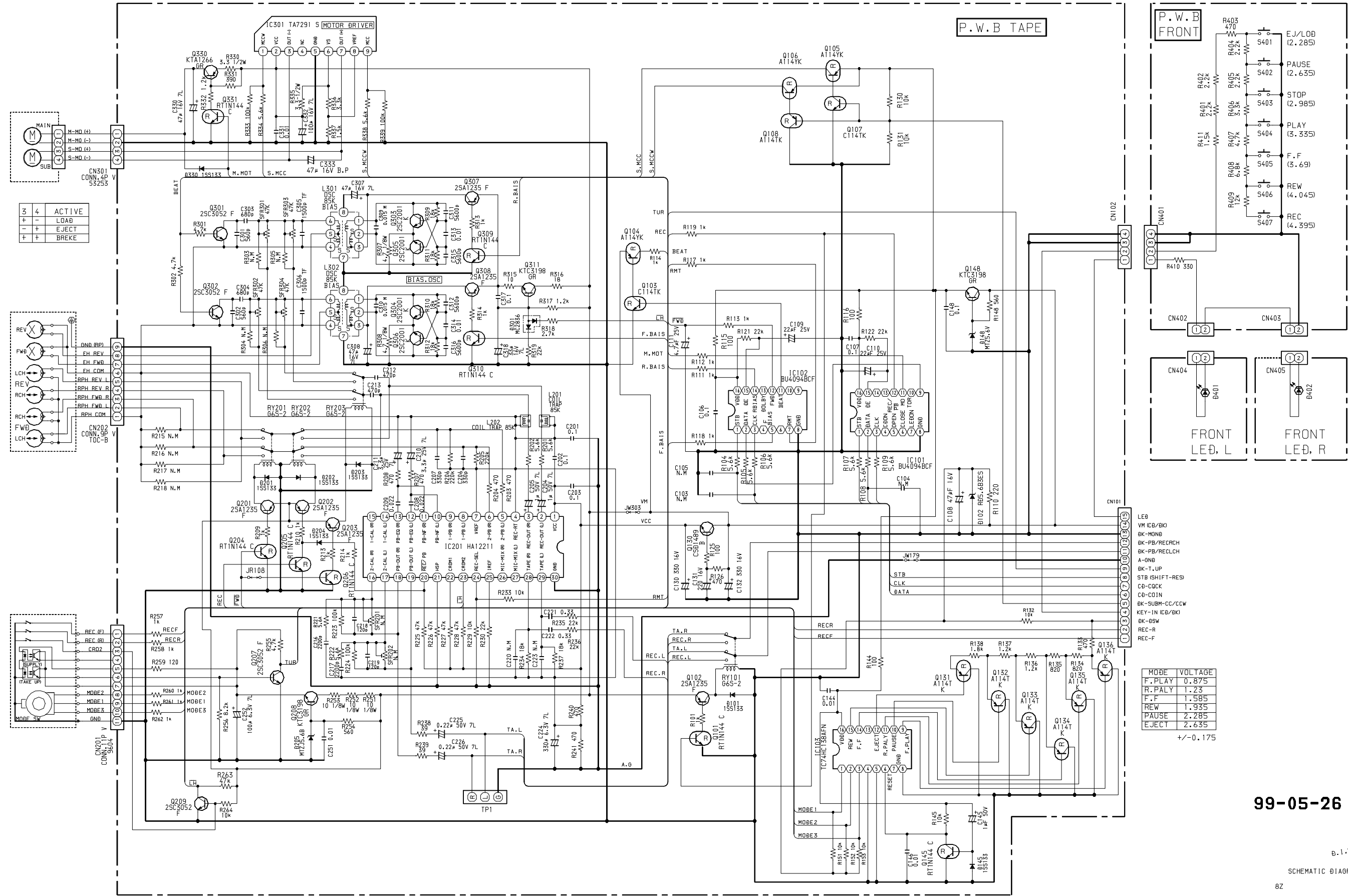
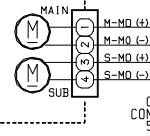


AIWA FX-LM99 SCHEMATIC DIAGRAM

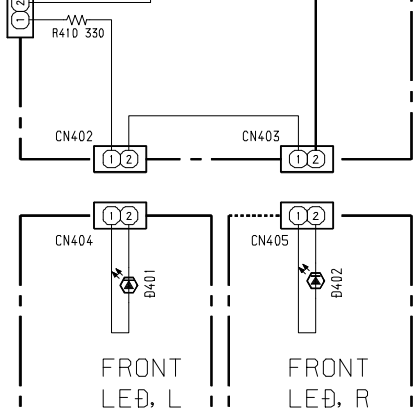
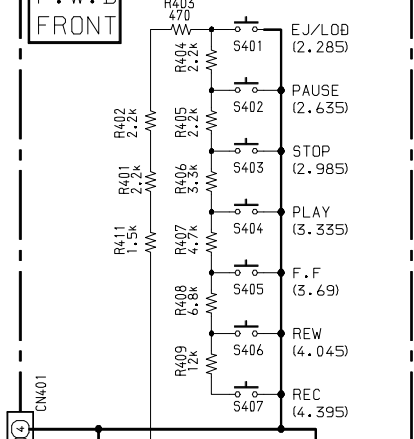
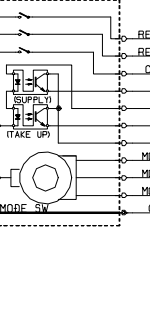
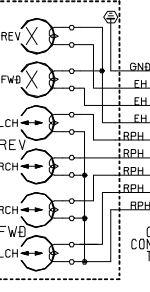


P.W.B TAPE

P.W.B FRONT



3	ACTIVE
+	LOAD
-	EJECT
+	BREKE



- LEB
- VM ICB/DK
- BK-MGNB
- BK-PB/RECRCH
- BK-PB/RECLCH
- A-GND
- BK-T.UP
- STB (SHIFT-RES)
- CB-COCK
- CB-COIN
- BK-SUBM-CC/CCW
- KEY-IN ICB/DK
- BK-DSW
- REC-R
- REC-F

MODE	VOLTAGE
F.PLAY	0.875
R.PALY	1.23
F.F	1.585
REW	1.935
PAUSE	2.285
EJECT	2.635

+/-0.175

99-05-26

D. I. WONE
SCHEMATIC DIAGRAM
8Z