

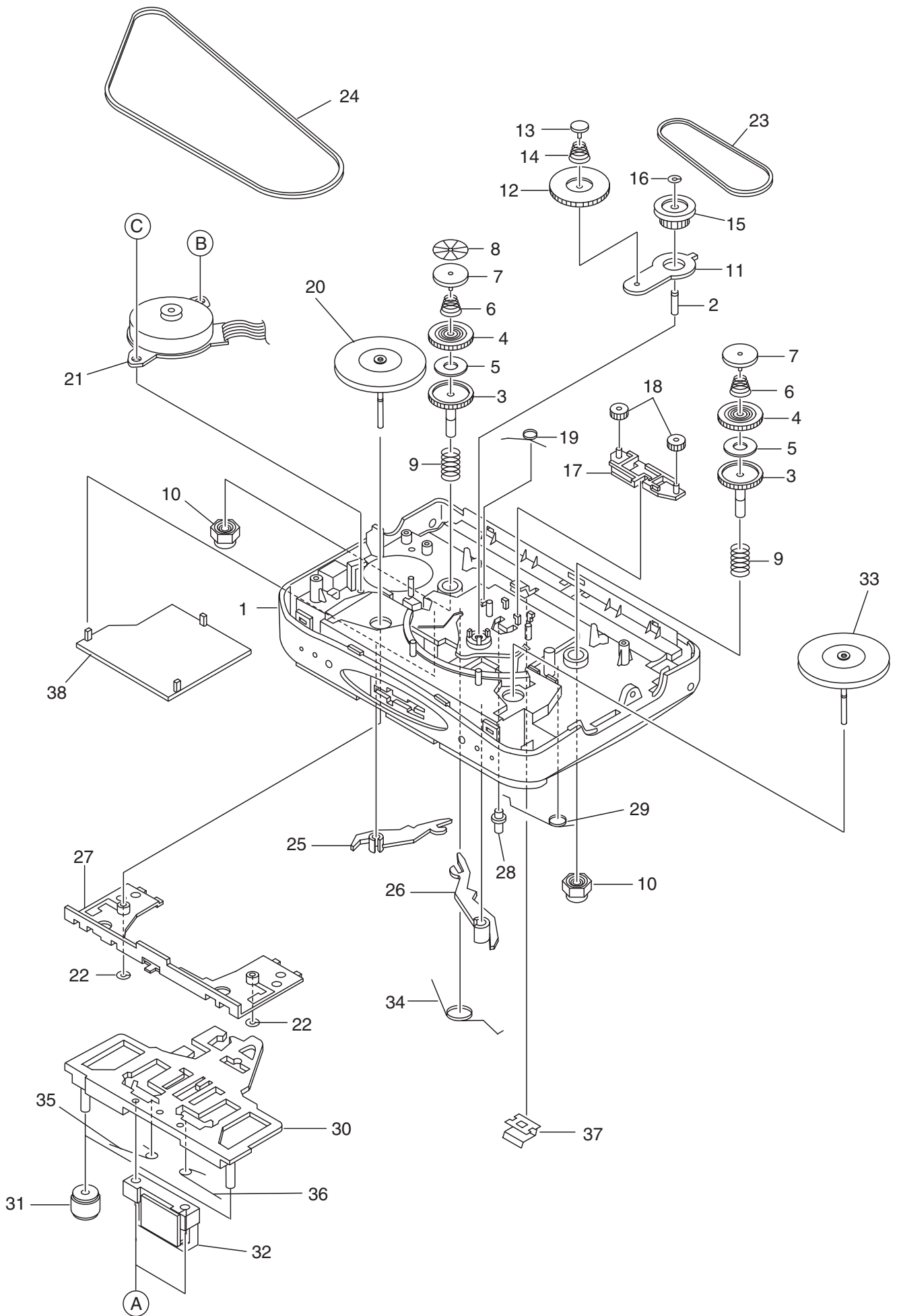
SERVICE MANUAL

STEREO RADIO
CASSETTE PLAYER

BASIC TAPE MECHANISM : CL-850-5 SIL

- This Correction Service Manual is issued because of some errors in Service Manual of MODEL NAME HS-RX308 (YZ) / HS-RX408 (YU,YL,YZ,YH,YJ), (S/M Code No. 09-002-425-5R1).

TAPE MECHANISM EXPLODED VIEW 1 / 1



TAPE MECHANISM PARTS LIST 1 / 1

REF. NO.	PART NO.	KANRI NO.	DESCRIPTION	REF. NO.	PART NO.	KANRI NO.	DESCRIPTION
1	8A-HR8-003-010		FRAME CENTER	26	S8-505-110-000		REV ARM
2	S8-505-240-000		GEAR SHAFT	27	S8-505-260-000		SUB CHASSIS
3	S8-505-070-000		REEL GEAR T	28	S8-505-160-000		REV SELECT
4	S8-505-080-000		CLUTCH GEAR	29	S8-505-190-000		SELECT SP
5	S8-505-300-000		FELT	30	S8-505-020-000		HEAD BASE
6	S8-505-200-000		CLUTCH SP	31	S7-000-080-000		PINCH ROLLER
7	S8-505-120-000		REEL GEAR BUSH	32	87-A91-019-010		HEAD ASSY (PH8ZM-3)
8	S8-505-290-000		REFLECTING PLATE	33	S8-550-4K0-000		FLYWHEEL L ASSY
9	S8-505-210-000		BRACK TENSION SP	34	S8-300-160-000		HEAD BASE SP
10	S8-000-100-000		REEL CAP	35	S8-300-170-000		PINCH SP FWD
11	S8-505-090-000		FWD GEAR PLATE	36	S8-500-090-000		PINCH SP REV
12	S8-505-060-000		FWD GEAR	37	8A-HR8-214-010		SPR-P CASS
13	S8-505-250-000		GEAR PLATE PIN	38	S8-505-130-000		COVER
14	S8-505-220-000		FWD GEAR SP	A	S1-PB1-7X5-500		SCREW 1.7-5.5
15	S8-505-050-000		CENTER GEAR	B	S3-PY1-7X2-500		SCREW 1.7-2.5
16	S1-2X2-5X0-25L		L CUT W	C	S3-PB1-7X3-000		SCREW
17	S8-505-320-000		FF GEAR HOLDER				
18	S8-505-330-000		FF GEAR				
19	S8-505-310-000		GEAR HOLDER SP				
20	S8-550-3K0-000		FLYWHEEL R ASSY				
21	87-A91-563-010		MOTOR (IBIGB02)				
22	S1-2X2-5X0-1LC		L CUT W				
23	SV-500-000-000		SUB BELT				
24	SV-190-000-000		MAIN BELT				
25	S8-505-100-000		FWD ARM				

アイワ株式会社 〒110-8710 東京都台東区池之端1-2-11 ☎03(3827)3111 (代表)
AIWA CO.,LTD. 2-11, IKENOHATA 1-CHOME, TAITO-KU, TOKYO 110, JAPAN TEL:03 (3827) 3111