



SERVICE MANUAL

ACTIVE SPEAKER SYSTEM
(POWERED SUBWOOFER)

SPECIFICATIONS

Input terminals	INPUT jack
Input sensitivity/Impedance	INPUT: 1 V/50 kiro ohms (at 60 Hz)
Power output	32 W (50 Hz to 120 Hz, T.H.D. less than 1%, 8 ohms) 40 W (8 ohms, T.H.D. 10% at 60 Hz)
Frequency response	35 Hz - 200 Hz
Speaker type	Bass reflex type
Speaker unit	20 cm (8 in.) (Magnetically shielded type)
Power requirement	AC 120 V, 60 Hz
Power consumption	30 W
Dimensions (w/h/d)	285 x 325 x 345 mm (11 ¹ / ₄ x 12 ⁷ / ₈ x 13 ⁵ / ₈ in.)
Weight	7.4 kg (16 lbs 5 oz.)

- Design and specifications are subject to change without notice.

ACCESSORIES LIST

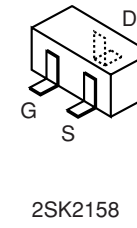
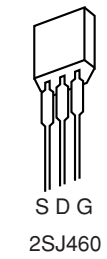
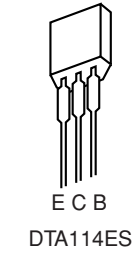
DESCRIPTIONで判断できない物は "REFERENCE NAME LIST" を参照してください。
If can't understand for Description please kindly refer to "REFERENCE NAME LIST".

REF. NO	PART NO.	KANRI NO.	DESCRIPTION
1	8A-YP9-903-010	IB,U(ESF)D	
2	87-YP3-632-010	186-C13000, CORD ASSY	

ELECTRICAL MAIN PARTS LIST

DESCRIPTIONで判断できない物は "REFERENCE NAME LIST" を参照してください。
If can't understand for Description please kindly refer to "REFERENCE NAME LIST".

REF. NO	PART NO.	KANRI NO.	DESCRIPTION	REF. NO	PART NO.	KANRI NO.	DESCRIPTION
TRANSISTOR							
	87-A30-091-080		FET,2SJ460	C401	87-010-401-080		CAP, ELECT 1-50V
	87-026-609-080		TR,KTA1266GR	C402	87-010-385-080		CAP, ELECT 220-25V
	87-026-610-080		TR,KTC3198GR	C405	87-010-401-080		CAP, ELECT 1-50V
	87-A30-087-080		C-FET,2SK2158	C406	87-010-385-080		CAP, ELECT 220-25V
	87-026-269-080		TR,DTA114ES	C408	87-010-405-080		CAP, ELECT 10-50V
	87-A30-127-010		TR,2SD2478	C409	87-010-405-080		CAP, ELECT 10-50V
	87-A30-126-010		TR,2SB1616	C410	87-010-404-080		CAP, ELECT 4.7-50V
DIODE							
	8Z-YP2-618-010	151-540235,DIODE 1N5402 LT		CN202	87-049-919-010		CONN,3P EH V WHT
	87-020-465-080	DIODE,1SS133 (110MA)		CN301	87-099-043-010		CONN 2P EH
	87-A40-349-080	ZENER,MTZJ7.5C		CNA101	8Z-YP2-614-010		CONN ASSY,4P SCNEHR
MAIN C.B							
C104	87-016-539-090	CAP,E 3300-35 SMG		CON202	8Z-YP2-609-010		CONN ASSY,3P EHR SP
C105	87-016-539-090	CAP,E 3300-35 SMG		J401	87-099-801-010		JACK,PIN 1P BLK
C111	87-010-197-080	CAP, CHIP 0.01 DM		R223	8Z-YP2-613-080		116-R1WR22JT,RES M/F 0.22-
C201	87-010-246-080	CAP, ELECT 47-35V		R224	8Z-YP2-613-080		116-R1WR22JT,RES M/F 0.22-
C202	87-010-246-080	CAP, ELECT 47-35V		VR401	87-A91-147-010		VR,RTRY 50KX1 H XV0121PHJN20FS
C203	87-010-384-080	CAP, ELECT 100-25V		FRONT C.B			
C204	87-010-384-080	CAP, ELECT 100-25V		D301	8Z-YP2-617-010		153-DLTL4231,LED 3 GRN
C205	87-010-384-080	CAP, ELECT 100-25V		AS101	87-YP5-626-010		SW,PUSH 1-1-1 SY16-52-3
C206	87-010-384-080	CAP, ELECT 100-25V		TRANS C.B			
C207	87-012-156-080	C-CAP,S 220P-50 CH		AC101	87-019-112-010		CAP,CER 0.01-400 P FZ KC
C208	87-012-156-080	C-CAP,S 220P-50 CH		C102	87-018-209-080		CAP, CER 0.1-50V
C209	87-010-196-080	CHIP CAPACITOR,0.1-25		C103	87-018-209-080		CAP, CER 0.1-50V
C210	87-010-196-080	CHIP CAPACITOR,0.1-25		CN101	87-049-469-010		CONN,4P V
C211	87-010-196-080	CHIP CAPACITOR,0.1-25		CN102	87-099-674-010		CONN,2P VA V
C212	87-010-196-080	CHIP CAPACITOR,0.1-25		CON102	8Z-YP2-607-010		CONN ASSY,2P VAR AC U
C213	87-010-197-080	CAP, CHIP 0.01 DM		CON301	8Z-YP2-608-010		CONN ASSY,2P EHR LED
C214	87-010-406-080	CAP, ELECT 22-50		AF101	87-035-483-010		FUSE,1.25A 125V T 237
C215	87-010-406-080	CAP, ELECT 22-50		FC101	87-033-213-080		CLAMP, FUSE
C301	87-010-401-080	CAP, ELECT 1-50V		FC102	87-033-213-080		CLAMP, FUSE
C304	87-010-544-080	CAP, ELECT 0.1-50V		PR101	87-026-690-080		FUSE,5A 125V 251
C305	87-010-383-080	CAP, ELECT 33-25V		PR102	87-026-690-080		FUSE,5A 125V 251
C306	87-010-405-080	CAP, ELECT 10-50V		PT1	8A-YP9-605-010		PT,U
C307	87-010-544-080	CAP, ELECT 0.1-50V		T101	82-304-743-010		TERMINAL, 1P
C308	87-010-404-080	CAP, ELECT 4.7-50V		T102	82-304-743-010		TERMINAL, 1P
C309	87-010-405-080	CAP, ELECT 10-50V					



チップ抵抗部品コード/CHIP RESISTOR PART CODE

チップ抵抗部品コードの成り立ち

Chip Resistor Part Coding



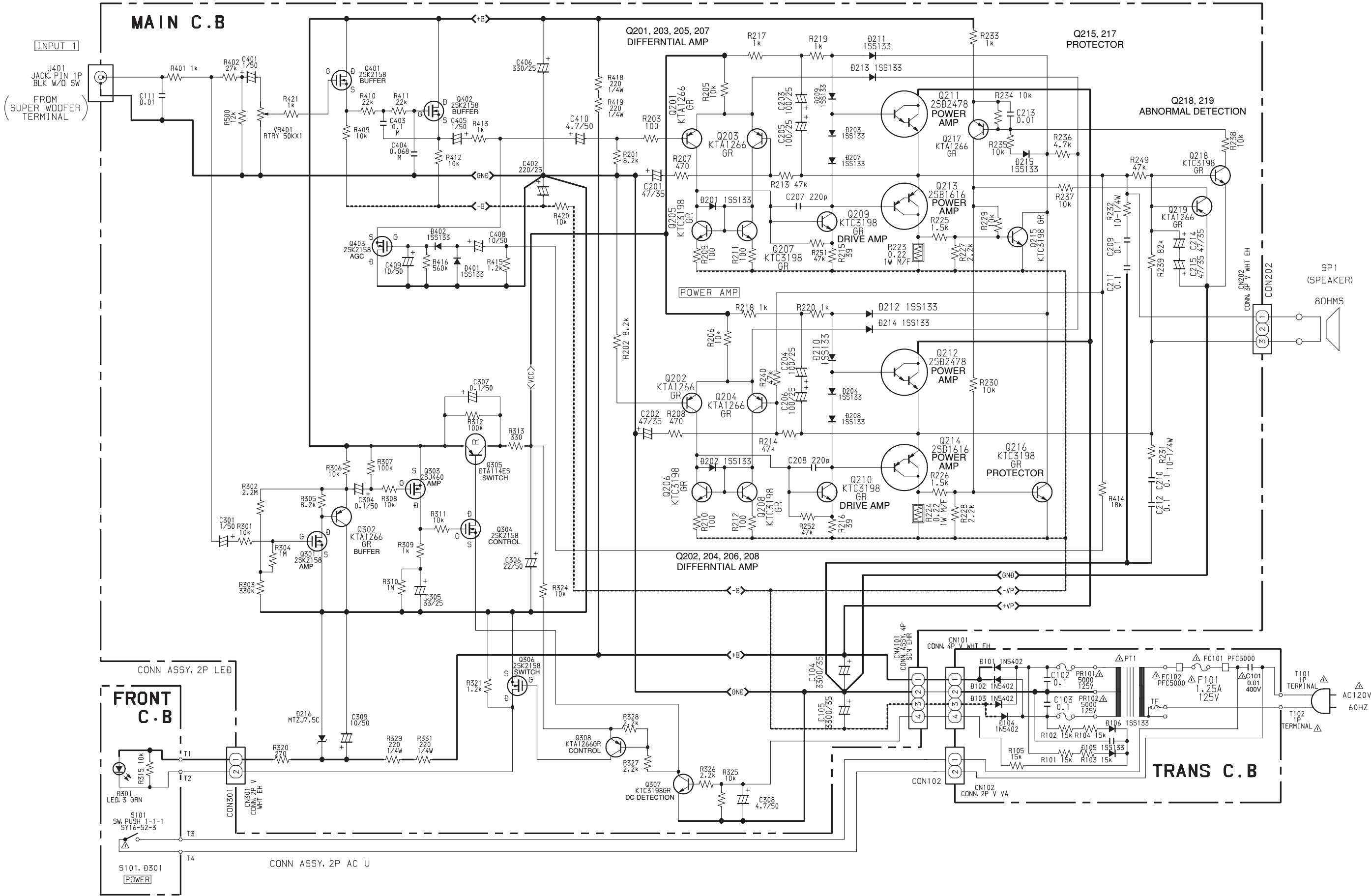
A
抵抗部品コード
Resistor Code

桁表示
Figure
抵抗値
Value of resistor

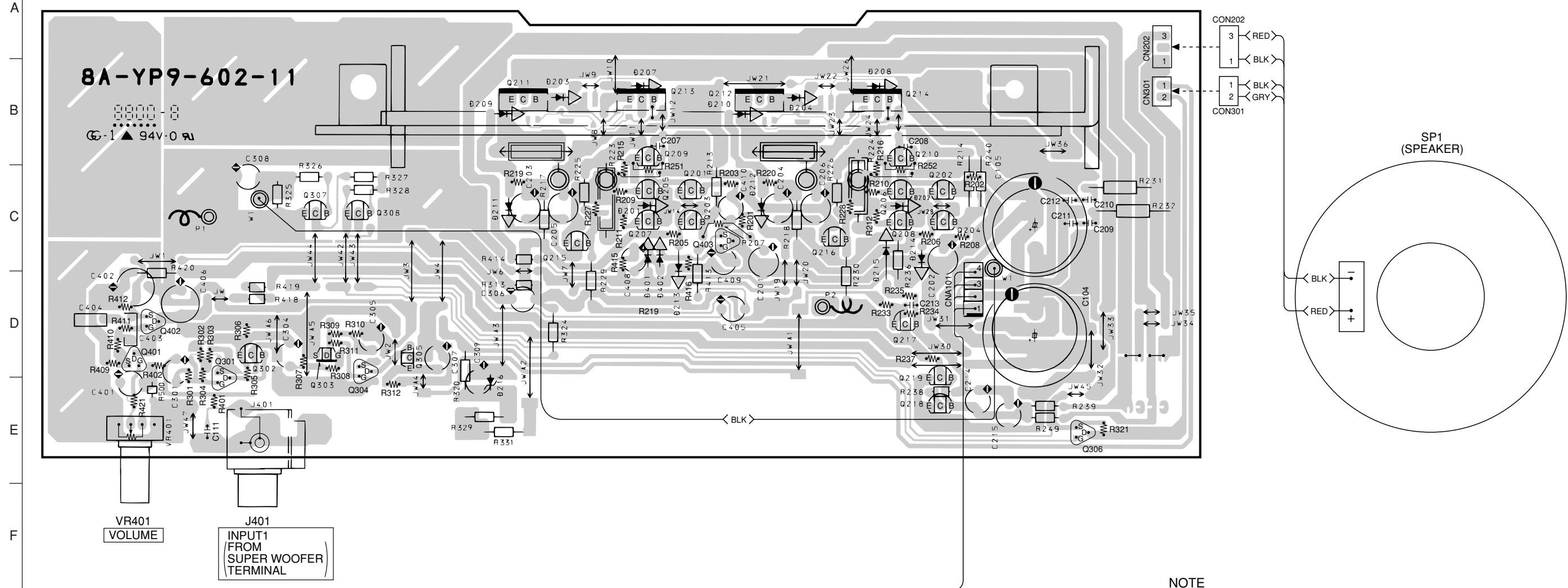
チップ抵抗
Chip resistor

容量 Wattage	種類 Type	許容誤差 Tolerance	記号 Symbol	寸法/Dimensions (mm)			抵抗コード : A Resistor Code : A	
				外形/Form	L	W		t
1/16W	1005	±5%	CJ		1.0	0.5	0.35	104
1/16W	1608	±5%	CJ		1.6	0.8	0.45	108
1/10W	2125	±5%	CJ		2	1.25	0.45	118
1/8W	3216	±5%	CJ		3.2	1.6	0.55	128

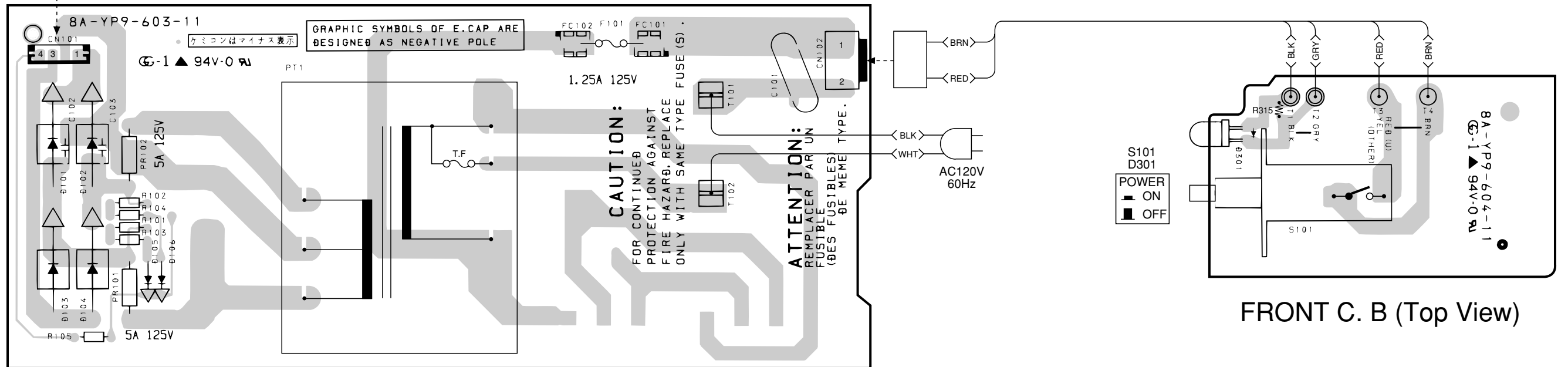
SCHMATIC DIAGRAM



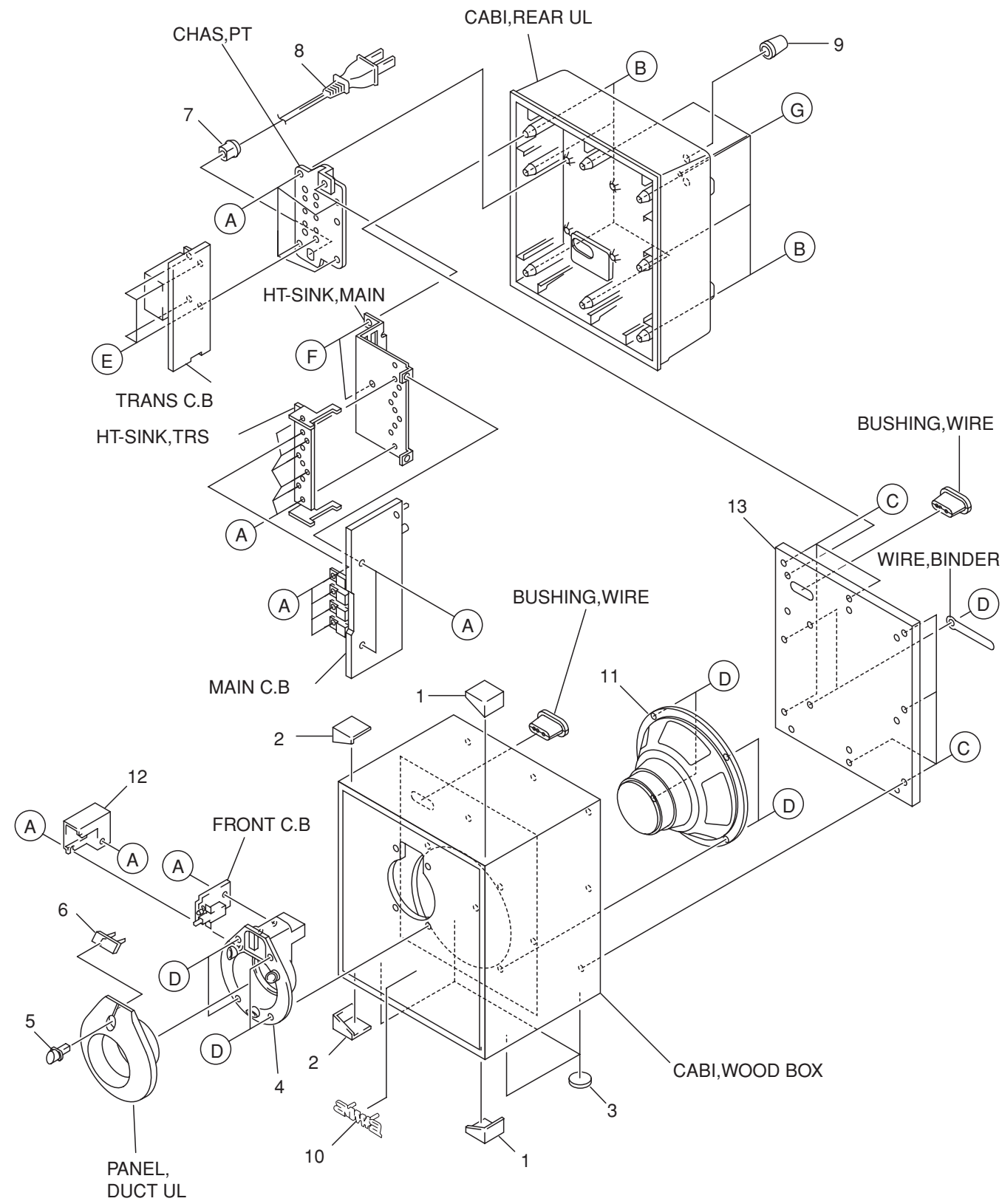
MAIN C. B (Top View)



TRANS C. B (Top View)



FRONT C. B (Top View)



MECHANICAL MAIN PARTS LIST 1/1

DESCRIPTIONで判断できない物は "REFERENCE NAME LIST" を参照してください。
If can't understand for Description please kindly refer to "REFERENCE NAME LIST".

REF. NO	PART NO.	KANRI NO.	DESCRIPTION
1	87-YP4-011-010		COVER, L
2	87-YP4-012-010		COVER, R
3	8Z-YP2-205-010		403-FZYP-2, FOOT BOX
4	8Z-YP2-213-010		CASE, SW UL
5	8Z-YP2-004-010		400-1PZYP-2, BTN POWER
6	8Z-YP2-005-010		405-1WZYP-2, WINDOW LED
7	86-SP2-637-010		BUSHING, AC U
8	87-YP4-620-010		181-207002BC, AC CORD ASSY
9	8Z-YP2-003-010		400-1RZYP-2, KNOB RTRY VO
10	8Z-YP2-016-010		400-ZYP-2, BADGE AIWA 44
11	8A-YP9-606-010		SPKR, 200 8OHM
12	8Z-YP2-217-010		COVER, SW UL
13	8Z-YP2-207-010		PANEL, WOOD
A	87-067-703-010		TAPPING SCREW, BVT2+3-10
B	8Z-YP2-211-010		300-R1351800, SW+3.5-18
C	87-YP4-211-010		SW+3.5-22
D	87-YP4-217-010		BVT1+3.5-12
E	87-067-566-010		TAPPING SCREW, VFTT+3-6
F	87-067-689-010		TAPPING SCREW, BVTT+3-8
G	87-755-096-410		307-P4301000, VT2+3-10 W/O

COLOR NAME TABLE

Basic color symbol	Color	Basic color symbol	Color	Basic color symbol	Color
B	Black	C	Cream	D	Orange
G	Green	H	Gray	L	Blue
LT	Transparent Blue	N	Gold	P	Pink
R	Red	S	Silver	ST	Titan Silver
T	Brown	V	Violet	W	White
WT	Transparent White	Y	Yellow	YT	Transparent Yellow
LM	Metallic Blue	LL	Light Blue	GT	Transparent Green
LD	Dark Blue	DT	Transparent Orange		

アイワ株式会社 〒110-8710 東京都台東区池之端1-2-11 ☎03(3827)3111 (代表)
AIWA CO.,LTD. 2-11, IKENOHATA 1-CHOME, TAITO-KU, TOKYO 110, JAPAN TEL:03 (3827) 3111