



Philips Consumer Lifestyle

Service Manual

PRODUCT INFORMATION

General:

- Rechargeable 8 hours
- World-wide automatic voltage selection V100 - 240

Safety information

- This product meets the requirements regarding interference suppression on radio and TV.
- After the product has been repaired, it should function properly and has to meet the safety requirements as officially laid down at this moment.

TECHNICAL INFORMATION

- Voltage : 100 - 240 Volt
- Motor voltage : 1,2 Volt
- Shaving heads : HQ55 4222 036 15850
- SAP coding : 6945XL

DISASSEMBLY- AND RE-ASSEMBLY ADVICE

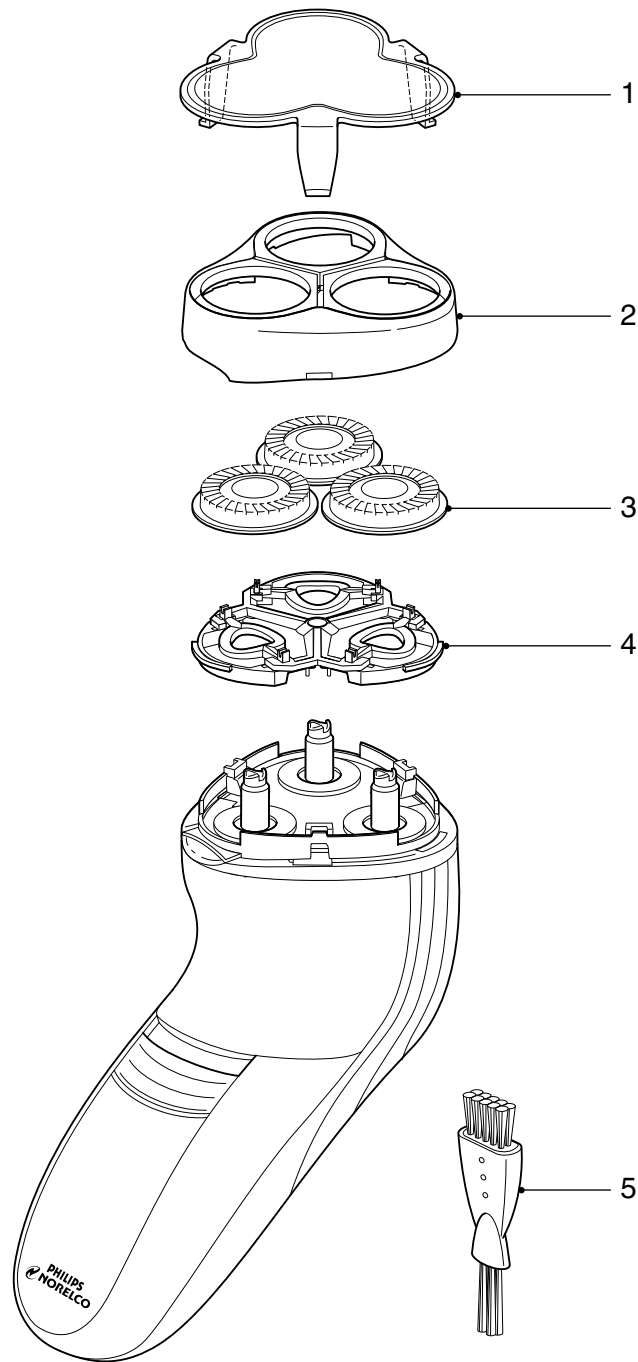
- No specific issues

REPAIR INSTRUCTION

- No specific issues

OPTIONAL (accessories)

- No specific issues



Pos	Service code	Description
1	4222 036 15320	Protecting cap
2	4222 036 20201	Bracket assy
3	4222 036 15850	Shaving heads
4	4222 036 15390	Holder assy
5	4222 036 02770	Brush
	4222 036 07690	Flex assy EUR
	4822 321 10096	Flex assy GBR
	4822 321 10148	Flex assy AUS/NZ
	4222 036 16560	Flex assy Brasil
	4822 321 10344	Flex assy Norelco
	4222 036 02481	Flex assy KOR
	4222 036 01591	Flex assy ARG