



Philips Domestic Appliances and Personal Care

Service Manual

PRODUCT INFORMATION

Features

- Colour blue
- Careeza soleplate
- Tank capacity (350 ml)
- Steam rate (40 g/min)
- Shot of steam (80 g)
- Vertical steam
- Permanent Anti-Calc
- Automatic shut off
- Integrated cord winder with clip

TECHNICAL INFORMATION

Voltage	: 120 V, 220-240 V
Frequency	: 50-60 Hz
Power consumption	: 1450 W, 2200 W
Water advice	: Suitable for tap water use. However if the tap water in your area is very hard, we advise you to mix it with an equal portion of distilled water or to use distilled water only.
Cleaning of the Iron	: Use only the Calc clean button for cleaning of the Iron. Never use vinegar or other descaling agents.

Soleplate

Careeza is a multi layer chemical substance that gives an excellent gliding over various fabrics and better care for the garments.

Auto shut-off (ASO)

A relay in the electronic module interrupts the power to the heating element when the iron has been motionless.

- for 30 secs in the horizontal position.
- for 8 minutes in the vertical position.

The red "Auto-off" pilot light starts blinking.

When the iron is moved again, it is automatically switched 'ON' again.

Vertical Steam

When the iron is kept in a vertical position, the shot of steam (S.O.S) button can be used to iron hanging fabrics such as curtains.

Anti drip

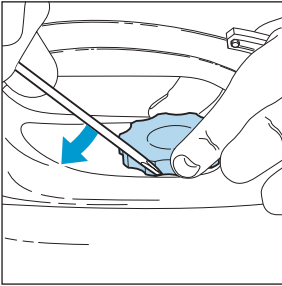
Water is only released to through the tank valve into the steam chamber if the soleplate temperature is high enough to evaporate all water. If the temperature is too low, the tank valve is closed by means of a bi-metal disc.

This product meets the requirement regarding interference suppression on radio and television.

DISASSEMBLY ADVICE IRON

DIAL 1

RATTLE SPRING 2



BACKPLATE 102 103

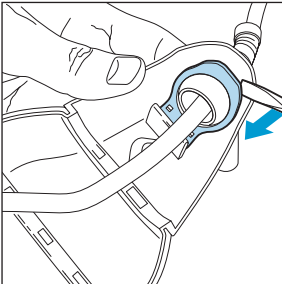
CORD SET 4

SWIVEL HOLDER 101

SWIVEL 104

Remove **Screw A**

Remove **Screws B1, B2**



FILLING DOOR 6

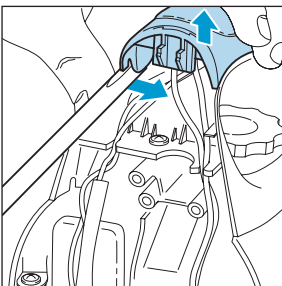
INLAY 7

OPERATION KNOBS 8

**AUTO SHUT OFF
UNIT 9 (PCB)**

Remove **Screw A**

Remove **Backplate 102, 103**



SLIDE UNIT 10

NEEDLE SET 11

TANK SEAL 12

HANDLE 13

**SELF CLEAN
BUTTONS 14**

**SPRAY NOZZLE
ASSY 15**

PUMP ASSY 16

Remove **Screw A**

Remove **Backplate 102, 103**

Remove **Inlay 106**

Remove **Operation knobs
107, 108**

Remove **Screws C1, C2**

Remove **Slide Unit 114, 115**

Remove **Needle set
116, 117, 118**

Remove **Screws D1, D2**

**THERMOSTAT
BUSH 17**

WATER TANK 18

Remove **Screw A**

Remove **Backplate 102, 103**

Remove **Inlay 7**

Remove **Operation knobs
107, 108**

Remove **Screws D1, D2**

Remove **Handle 13**

Remove **Screws E1, E2**

Remove **Water tank 18**

Remove **Screw F**

**SOLEPLATE
COVER 19**

ISOLATION PLUG 20

SOS SEAL 21

DOSING SEAL 22

SOLEPLATE ASSY 23

Remove **Screw A**

Remove **Backplate 102, 103**

Remove **Inlay 7**

Remove **Operation knobs
107, 108**

Remove **Screws D1, D2**

Remove **Handle 13**

Remove **Screws E1, E2**

Remove **Water tank 18**

Remove **Screw F**

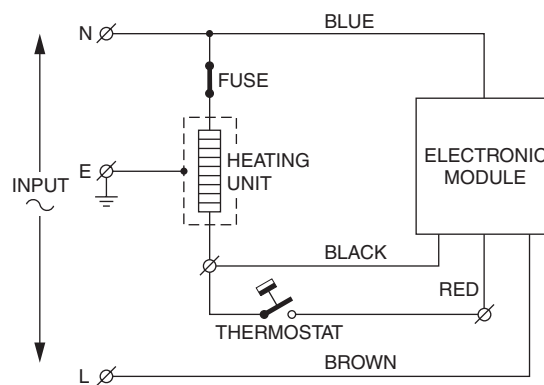
Remove **Heat shield**

Remove **Screws G1, G2**

Remove **Soleplate cover 19**

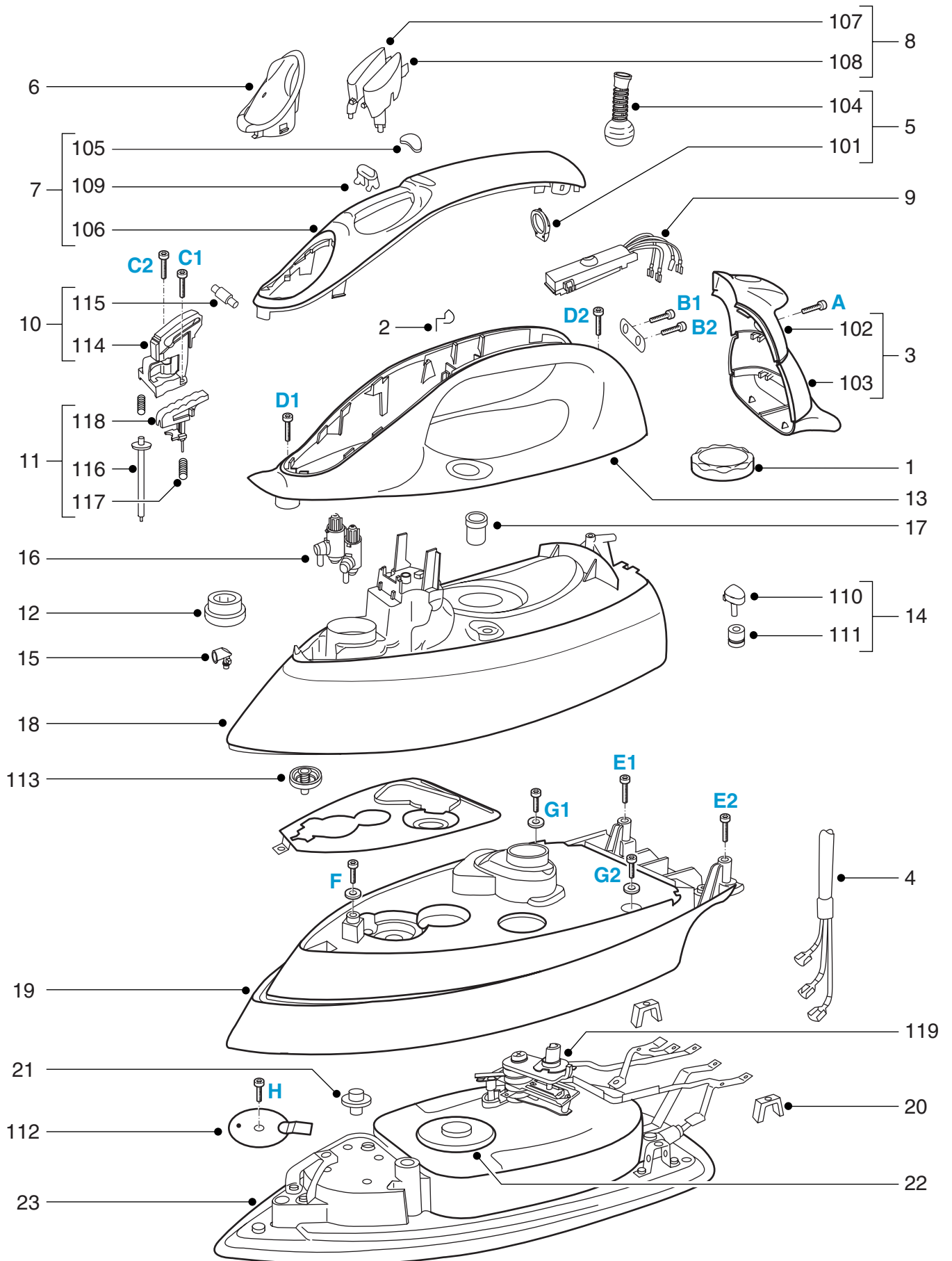
PARTS LIST IRON

Pos	Description	Consist of	Service code
1.	Dial		4239 021 12050
2.	Rattle spring		4239 014 53830
3.	Backplate	102, 103	4239 022 53381
4.	Cordset EU 230 V / 2200 W		4239 000 06580
5.	Swivel	101, 104	9965 000 08787
6.	Filling door		4239 021 04310
7.	Inlay printed (no soft touch)	105, 106, 109	4239 022 53341
8.	Operation knobs	107, 108	4239 022 53391
9.	Auto shut off unit		4239 021 01960
10.	Slide unit	114, 115	9965 000 08790
11.	Needle set	116, 117, 118	9965 000 08791
12.	Tank seal		4239 015 54400
13.	Handle unprinted		4239 021 12180
14.	Self clean buttons	110, 111	4239 022 53421
15.	Spray nozzle unit		4239 021 03040
16.	Pump assy		4239 020 90560
17.	Thermostat Bush		4239 015 98410
18.	Water tank (green)	113	4239 022 53491
19.	Soleplate cover		4239 026 06350
20.	Isolation plug		4239 025 98250
21.	Sos seal		4239 015 54410
22.	Dosing seal		4239 015 54390
23.	Soleplate assy + thermostat (230 V / 2200 W)	112, 119	4239 022 53521



Screws :	d	x	l
A, B, C, D, E	3.5	x	16.5 mm
F	4.0	x	9.0 mm (with washer)
G	4.0	x	9.0 mm

EXPLODED VIEW IRON



IMPORTANT + ADJUSTMENT AND CONTROLS

IMPORTANT

Due to high voltage of the iron, only the specified cordsets must be used.

NOTES :

1) For standardisation reasons :

- Dial : With English / Spanish text only.
- Rattle spring : 5 pcs will be supplied when ordered.
- Type plate : No info. about the typenumber and voltage have been stamped onto the typeplate.
When replacing the typeplate, engrave at least typenumber onto the typeplate with a sharp object.

2) Parts with numbers from 100 and higher, cannot be ordered separately.

3) After the product had been repaired, it should function properly and has to meet the safety requirement and legal regulations as laid down and officially established at this moment.

ADJUSTMENTS AND CONTROLS

Thermostat

Thermostat 119, fitted to the soleplate 23 has already been adjusted by the supplier and secured by glue.

To avoid mal-function of the iron, **NEVER** re-adjust the thermostat.

NOTE : the thermostat 119 can only be ordered together with the soleplate assembly 23.