

Service
Service
Service



Philips Domestic Appliances and Personal Care

Service Manual

PRODUCT INFORMATION

Features

- Motor : Johnson HC385MG
- Handle : 35 mm width slim handle
- Cordset length : 1.8 m
- Settings : 3 heat/speed settings
Off - 1 - 2 - Cool
- Attachments : Retractable bristle brush
2-in-1 attachment
- Colour : Housing : Raven black
Attachments : Sparrow brown
- Material : Housing : ABS
Attachments : Nylon
- Detachable inlet grill

Safety Information

- This product meets the requirements regarding interference suppression on radio and TV.
- Service policy is replacement only. No repairing is allowed.

TECHNICAL INFORMATION

Voltage	: 220 - 240 V 230 - 240 V
Frequency	: 50 - 60 Hz
Power Consumption	: 700 - 800 W 800 W
Dimension (F-box)	: 231 x 60 x 222 mm
Weight (product)	: 292 grams

Slim handle

With a width of 35 mm, this is the slimmest handle currently in the market for high end air stylers.

Detachable attachments

This allows easy cleaning and storage. The release button is ergonomically located and easy to operate.

Retractable bristle brush

For creating tight curls. Bristles are retractable.

2-in-1 attachment

This innovative attachment can be used for creating large curls/waves & for straightening hair with only 1 attachment.

ASSEMBLY & DISASSEMBLY ADVICE

- No specific issues

REPAIR INSTRUCTION

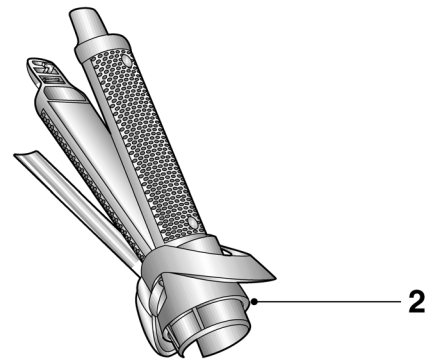
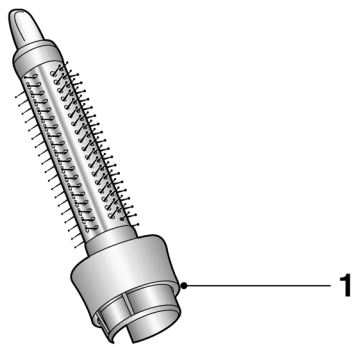
- No specific issues

OPTIONAL (accessories)

- No specific issues

General:

For this air styler, only the **spare parts mentioned below** will be available in the after sales period.



Pos	Service code	Description
1	4239 021 18580	Retractable bristle brush
2	4239 021 18530	2-in-1 attachment