

Service
Service
Service



Philips Domestic Appliances and Personal Care

Service Manual

PRODUCT INFORMATION

Features

- Colour white/yellow
- Ceralon soleplate
- Tank capacity (200 ml)
- Steam rate (25 g/min)
- Calc clean
- Extra steam(30 g/min)
- Drip stop
- Integrated cord winder with clip
- Length of cord : 1.9 m.

TECHNICAL INFORMATION

Voltage	: 120 V, 220-240 V.
Frequency	: 50-60 Hz
Power consumption	: 1300 W, 1600 W.
Water advice	: Suitable for tap water use. However if the tap water in your area is very hard, we advise you to mix it with a equal portion of distilled water or to use distilled water only.

Soleplate

Ceralon, the name indicates the strong combination of a non-stick coating ("Ion") blended with ceramic ("Cera") particles. The soleplate is coated with Ceralon material which is smooth gliding, high scratch resistance and good durability advantage over the non stick coatings.

Calc clean

The integrated calc clean function ensure a longer lifetime of the iron by removing the scale out of the steam chamber.

Extra steam

The extra steam function provides an additional amount of steam (up to 30 g/min) to transform persistent wrinkles to smooth garment.

Drip stop

Water is only released to through the tank valve into the steam chamber if the soleplate temperature is high enough to evaporate all water. If the temperature is too low, the tank valve is closed by means of a bi-metal disc.

This product meets the requirements regarding interference suppression on radio and TV.



DISASSEMBLY ADVICE + PARTS LIST

BACKPLATE 1

SWIVEL 2

CORDSET 3

Remove **Screw A 1x**
 Remove **Backplate 1**
 Remove **Screw B 2x**
 (cord clamp)

OPERATION KNOB 4

DOSING UNIT 5

INLAY 6

PUMP 8

NOZZLE 9

Remove **Screw A 1x**
 Remove **Backplate 1**
 Remove **Screw B 2x**
 (cord clamp)
 Remove **Cord set 3**
 Remove **Dosing unit 5**
 Remove **Screw D 1x**
 Remove **Operation knob 4**
 Remove **Screw C 2x**
 Remove **Inlay 6**

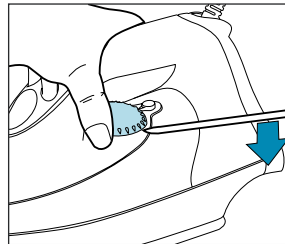
DIAL 10

LIGHT CONDUIT 11

TANK SET 12

LIGHT 13

Remove **Screw A 1x**
 Remove **Backplate 1**
 Remove **Screw B 2x**
 (cord clamp)
 Remove **Cord set 3**
 Remove **Dosing unit 5**
 Remove **Screw D 1x**
 Remove **Operation knob 4**
 Remove **Screw C 2x**
 Remove **Inlay 6**
 Remove **Dial 10**
 Remove **Screw E 1x**



COVER 14

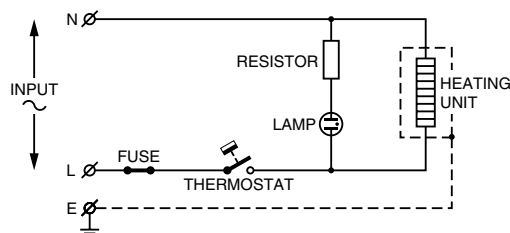
THERMOSTAT BUSH 15

SOLEPLATE 16

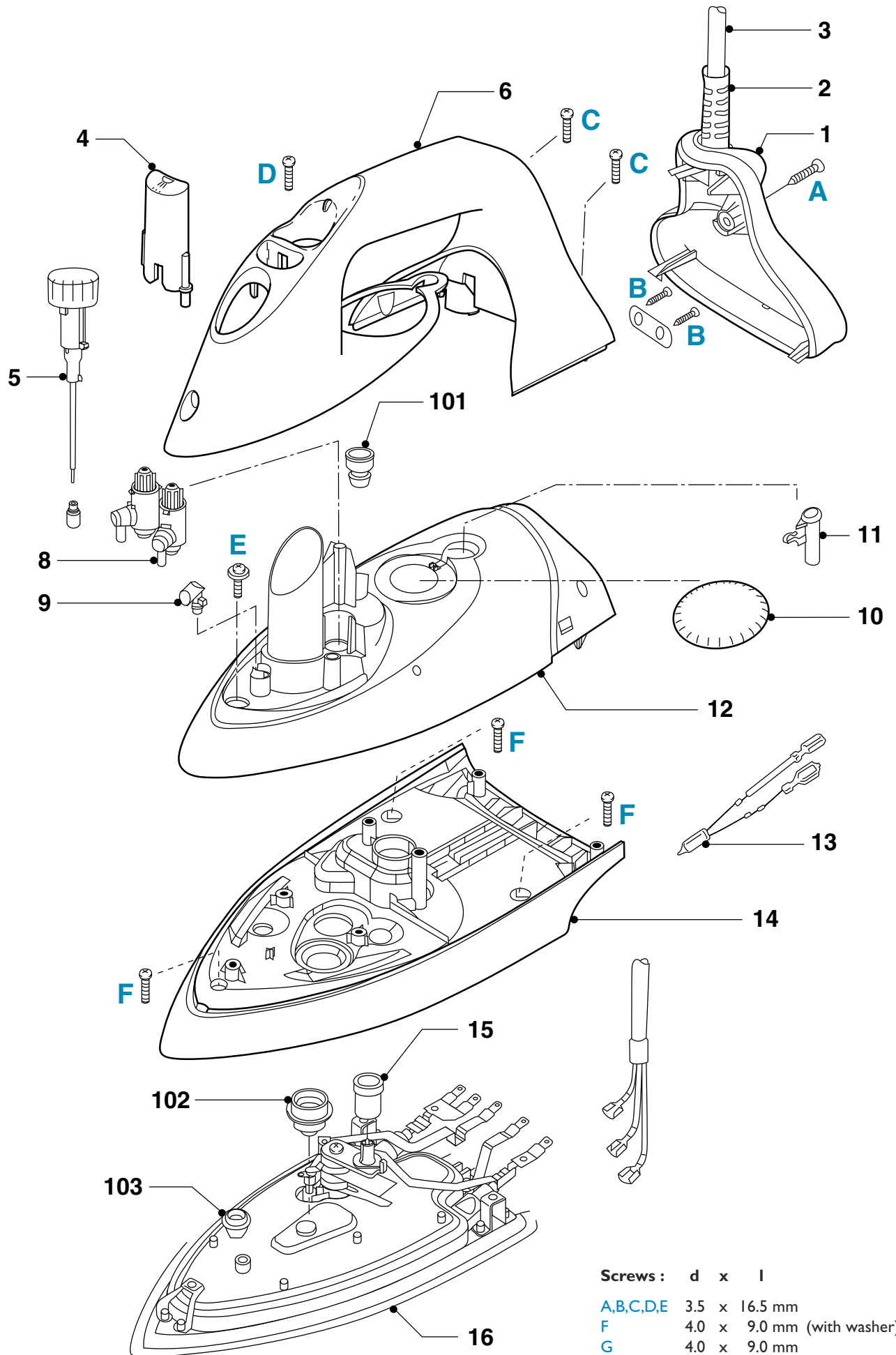
SEALING SET 7

Remove **Screw A 1x**
 Remove **Backplate 1**
 Remove **Screw B 2x**
 (cord clamp)
 Remove **Cord set 3**
 Remove **Dosing unit 5**
 Remove **Screw D 1x**
 Remove **Operation knob 4**
 Remove **Screw C 2x**
 Remove **Inlay 6**
 Remove **Dial 10**
 Remove **Screw E 1x**
 Remove **Tank set 12**
 Remove **Screw F 3x**
 Remove **Cover 14**

Pos	Description	Consist of	Service code
1.	Backplate		4822 441 12291
2.	Swivel		4822 325 10229
3.	Cordset EU		4239 000 08070
4.	Operation knob		4329 021 08390
5.	Dosing unit		4239 021 07810
6.	Inlay		4239 021 08050
7.	Sealing set.	102,103	4822 310 11269
8.	Pump		4822 360 10416
9.	Nozzle		4822 479 20254
10.	Dial (Ger/Swe)		4239 021 09590
	Dial (Fre/Dut)		4239 021 08180
			4239 021 09630
11.	Light conduit		4239 025 99590
12.	Tank set (Yellow, printed)	101	4239 021 07530
13.	Lamp		4239 020 90650
14.	Cover		4239 026 04620
15.	Thermostat bush		4822 532 61258
16.	Soleplate + thermostat		4239 021 09690



EXPLODED VIEW



Screws : d x l

A,B,C,D,E	3.5 x 16.5 mm
F	4.0 x 9.0 mm (with washer)
G	4.0 x 9.0 mm

IMPORTANT + ADJUSTMENTS AND CONTROLS

IMPORTANT

Due to high voltage of the iron, only the specified cordsets must be used.

NOTES :

1) For standardisation reasons :

- Dial : With English/Spanish text only.
- Soleplate : Ceralon soleplate will be provided for all models.
- Type plate : No info. about the typenumber and voltage has been stamped onto the typeplate.
When replacing the typeplate, engrave at least the typenumber onto the typeplate with a sharp object.

2) Parts with numbers from 100 and higher, cannot be ordered seperately.

3) After the product has been repaired, it should function properly and has to meet the safety requirements and legal regulations as laid down and officially established at this moment.

ADJUSTMENTS AND CONTROLS

Thermostat

Thermostat, fitted to the soleplate I6 has already been adjusted by the supplier and secured by glue. To avoid mal-function of the iron, **NEVER** re-adjust the thermostat.

NOTE : the thermostat can only be ordered together with the soleplate assembly I6.