

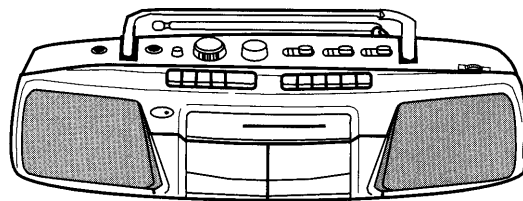


**CS-W530**

EZ

**CS-W531**

EZ



# SERVICE MANUAL

STEREO RADIO CASSETTE RECEIVER

BASIC TAPE MECHANISM : TN-21ZVW-1722

This Service Manual is "Supplement" CS-W530,CS-W531.

If requiring the other information, see Service Manual of the CS-W530 EZ,CS-W531 EZ (S/M Code No. 09-994-407-2R1).

**aiwa**

S/M Code No. 09-002-407-2S1

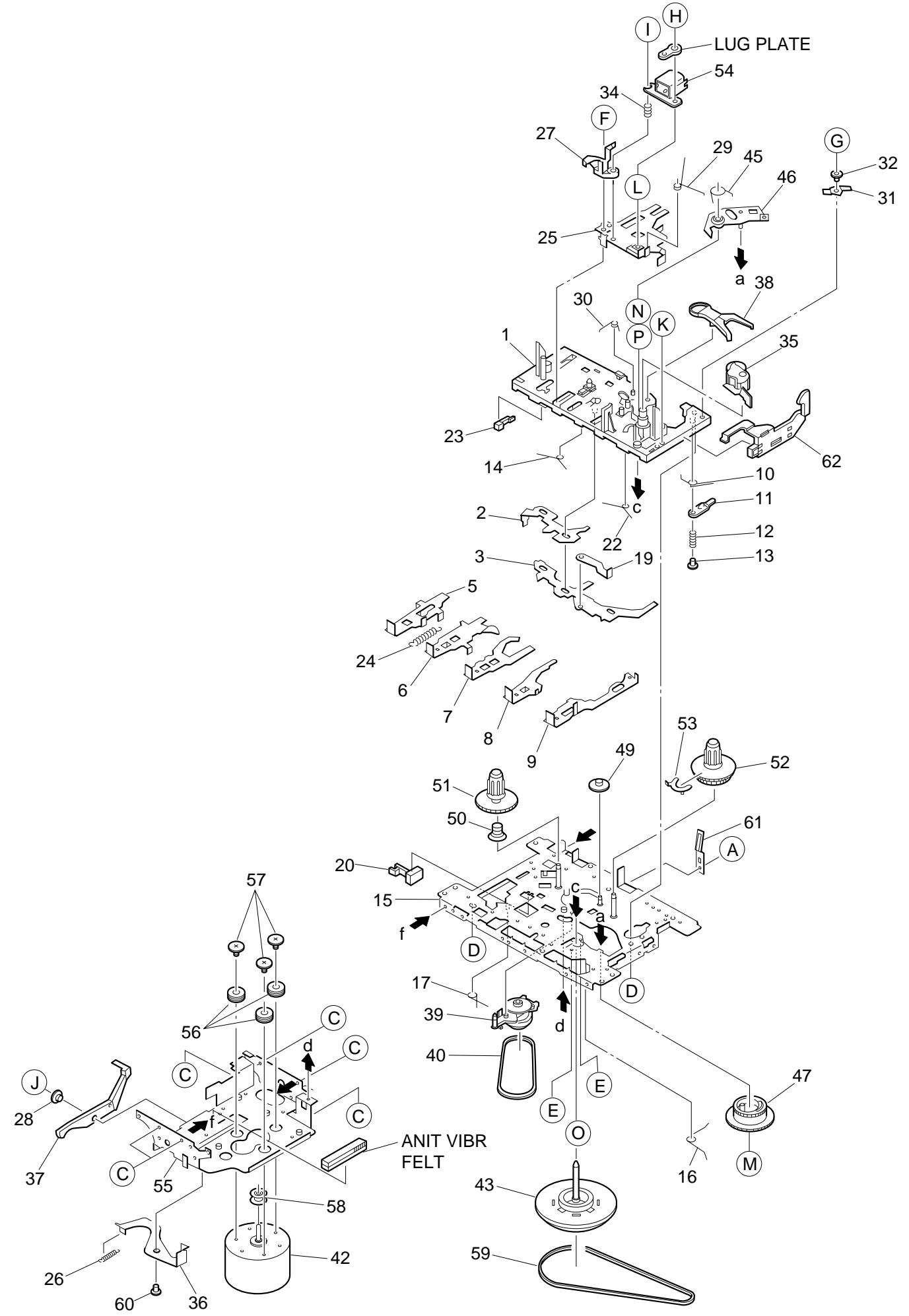
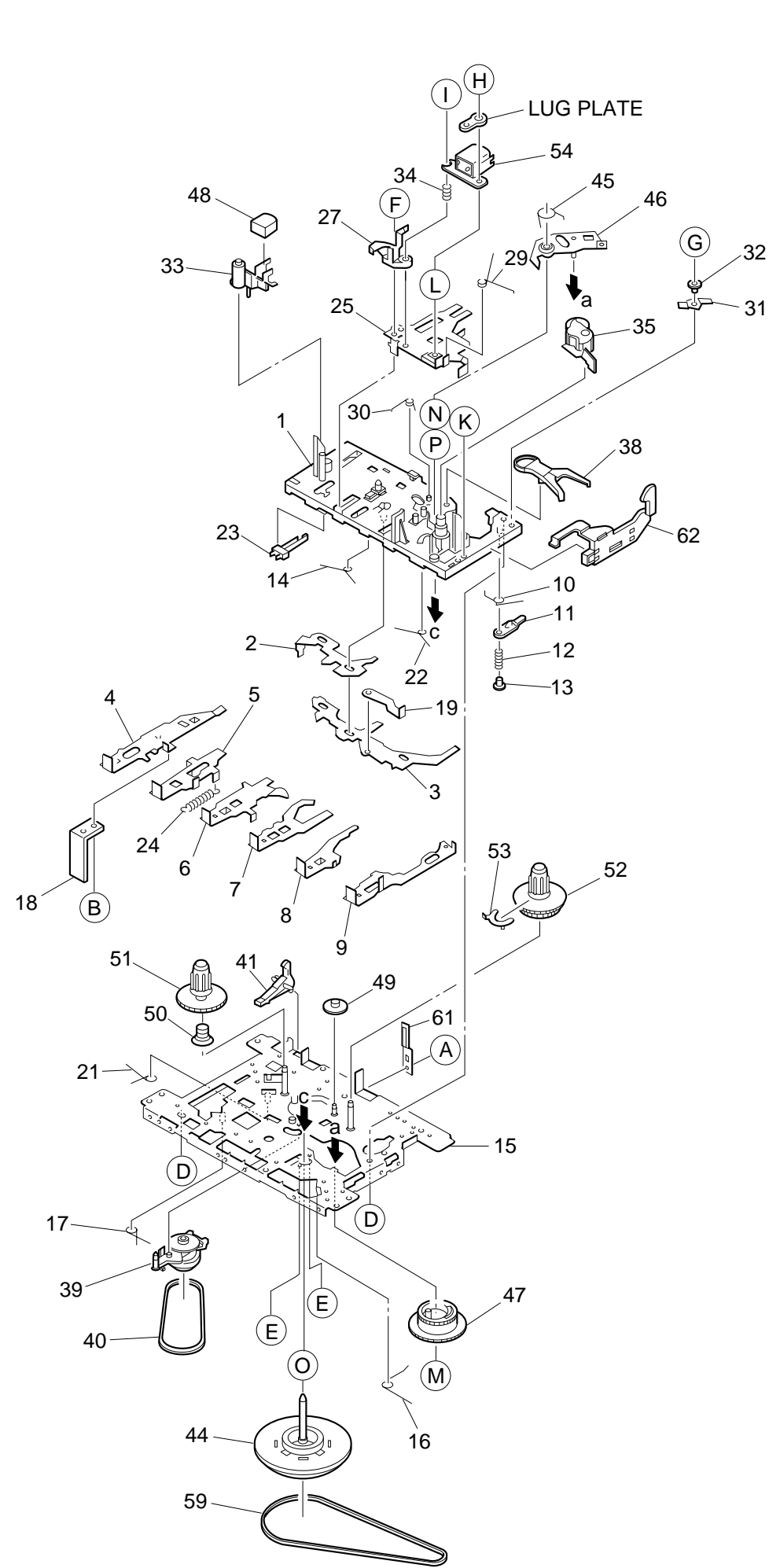
SUPPLEMENT  
DATA

# TAPE MECHANISM PARTS LIST 1/1

DESCRIPTIONで判断できない物は "REFERENCE NAME LIST" を参照してください。  
 If can't understand for Description please kindly refer to "REFERENCE NAME LIST".

REF.NO	PART.NO.	KANRI NO.	DESCRIPTION	REF.NO	PART.NO.	KANRI NO.	DESCRIPTION
1	S1-921-143-160		BASE ASSY	41	S1-821-100-690		RECORD SAFETY LEVER
2	S1-921-140-090		SWITCH ACTUATOR	42	S6-002-030-290		MOTOR EG530YD-2BH
3	S1-921-140-080		PUSH BUTTON ACTUATOR	43	S1-921-093-040		FLYWHEEL ASSY
4	S1-921-140-220		REC BUTTON LEVER	44	S1-921-093-030		FLYWHEEL ASSY
5	S1-921-140-230		PLAY BUTTON LEVER	45	S1-921-260-050		GEAR PLATE SPRING
6	S1-921-140-240		REW BUTTON LEVER	46	S1-921-265-020		GEAR PLATE ASSY
7	S1-921-140-250		FF BUTTON LEVER	47	S1-921-260-020		CAM GEAR
8	S1-921-140-260		STOP BUTTON LEVER	48	S6-209-100-100		E HEAD PH-K380-MS1
9	S1-921-140-610		PAUSE BUTTON LEVER	49	S1-821-100-700		FF GEAR
10	S1-921-141-3A0		P CONTROL SPRING	50	S1-921-050-220		BACK TENSION SPRING
11	S1-921-140-820		PAUSE LEVER(F)	51	S1-921-050-150		S REEL HUB
12	S1-921-140-120		PAUSE LEVER SPRING	52	S1-921-053-100		TAKE UP REEL ASSY
13	S1-921-140-110		PAUSE STOPPER	53	S1-921-050-060		SENSOR
14	S1-921-140-140		BUTTON LEVER SPRING(A)	54	S6-202-010-920		R.P HEAD MS15R-AK0N1
15	S1-921-015-010		CHASSIS ASSY	55	S1-921-120-110		MOTOR BRACKET
16	S1-921-140-160		E ACTUATOR SPRING	56	S1-820-130-060		MOTOR RUBBER
17	S1-921-140-170		P.S.LEVER SPRING	57	S1-821-120-020		MOTOR COLLER SCREW
18	S1-510-020-020		REC SPRING PLATE	58	S1-921-120-130		MOTOR PULLEY
19	S1-821-011-590		E KICK LEVER	59	S1-921-090-240		MAIN BELT
20	S6-401-011-610		LEAF SW MSW-17820MVEI	60	S1-821-120-230		PK COLLER SCREW A
21	S1-921-140-210		REC BUTTON LEVER SPRING	61	S1-829-100-010		PACK SPRING
22	S1-921-140-150		BUTTON LEVER SPRING(B)	62	S1-921-130-020		EJECT SLIDE LEVER
23	S6-401-011-520		LEAF SW MSW-1541F	A	S9-P33-200-320		DEL TITE SCREWM2-3
24	S1-821-010-500		PLAY BUTTON LEVER SPRING	B	S9-P04-200-310		C TAPPING SCREW 2-3
25	S1-921-030-110		HEAD PANEL	C	S9-P04-200-410		C TAPPING SCREW M2-4
26	S1-821-120-250		P KICK LEVER SPRING	D	S9-B10-200-510		P TAPPING BIND SCREW M2-5
27	S1-921-030-4A0		HEAD BASE	E	S9-C07-204-510		SCREW,TAPPING(CAMERA)M2-4.5
28	S1-821-120-650		COLLER B	F	87-261-035-410		SCREW M2-6
29	S1-921-030-090		PANEL P SPRING	G	S9-P08-203-010		PS TAPPING SCREW M2-3
30	S1-921-141-8A0		M CONTROL SPRING	H	87-261-032-410		SCREW,M2-3
31	S1-921-140-340		P ARM	I	S9-F08-200-710		AZIMUTH SCREW M2-7
32	S1-921-140-370		P ARM COLLER	J	S9-P04-200-610		C TAPPING SCREW M2-6
33	S1-921-030-050		MG ARM	K	S9-P05-200-810		SCREW,S TAP 2-8
34	S1-821-030-070		AZIMUTH SPRING	L	S9-W13-000-100		Y WASHER PB 0.1T
35	S1-921-043-100		PINCH ROLLER ARM ASSY	M	S9-W02-300-100		P WASHER CUT 1.2-3.8-0.3
36	S1-821-120-680		P KICK LEVER (A)	N	S9-W02-500-100		P WASHER CUT 1.45-3.8-0.5
37	S1-921-120-090		P KICK LEVER	O	S9-W01-400-100		P WASHER 2-3.5-0.4
38	S1-921-260-4A0		SENSING LEVER	P	S9-W01-130-200		P WASHER 2.1-4-0.13
39	S1-921-073-080		RF CLUTCH ASSY				
40	S1-921-070-030		RF BELT				

TAPE MECHANISM EXPLODED VIEW 1/1



サービス技術ニュース	
番号	連絡内容
G- -	
G- -	
G- -	

**アイワ株式会社** 〒110-8710 東京都台東区池之端1-2-11 ☎03(3827)3111 (代表)  
**AIWA CO.,LTD.** 2-11, IKENOHATA 1-CHOME, TAITO-KU, TOKYO 110, JAPAN TEL:03 (3827) 3111