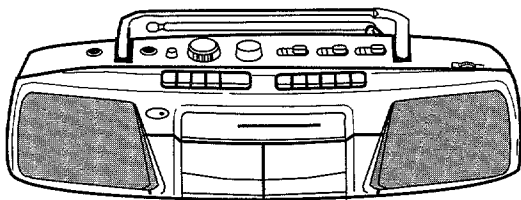


aiwa



CS-W530 CS-W531



STEREO RADIO CASSETTE
RECEIVER

• BASIC TAPE MECHANISM: TN-21ZVW-1820

• TYPE: EZ

REVISION PUBLISHING

• This Service Manual is the "Revision Publishing" and replaces Simple Manual CS-W530/531.
(S/M Code No. 09-992-407-2T1)

S/M Code No. 09-994-407-2R1

SERVICE MANUAL

SPECIFICATIONS

<FM Tuner section>

Tuning range
Antenna

87.5 MHz to 108 MHz
Rod Antenna

<MW Tuner section>

Tuning range
Antenna

530 kHz to 1605 kHz
Ferrite bar antenna

<LW Tuner section>

Tuning range
Antenna

150 kHz to 285 kHz
Ferrite bar antenna

<Deck section>

Track format
Frequency range

4 tracks, 2 channels
Normal tape : 50 Hz -12500 Hz
(EIAJ)

Recording system
Erasing system
Heads

AC bias
Magnet erase
Deck1: Playback head x 1
Deck2: Recording/playback head
x 1/erase head x 1

<General>

Speakers

100 mm cone type x 2
27 mm ceramic type x 2

Output

Headphones jack(stereo mini-
jack)

Power output

4.0 W + 4.0 W(DIN MUSIC
POWER)
2.5 W + 2.5 W(EIAJ/4 Ω , THD 10%)
1.9 W + 1.9 W(DIN 1% Rated
Power)

Power requirements

DC 9 V using six R20 (size D)
batteries

Power consumption

AC 230 V, 50 Hz

Dimensions

571(W) x 163(H) x 150(D) mm

Weight

Approx. 2.9 kg(excluding batteries)

• Design and specifications are subject to change without notice.

ELECTRICAL MAIN PARTS LIST

If can't understand for Description please kindly refer to " REFERENCE NAME LIST ".

REF. NO.	PART NO.	KANRI NO.	DESCRIPTION	REF. NO.	PART NO.	KANRI NO.	DESCRIPTION
IC				C507	87-010-380-080		CAP, ELECT 47-16V
				C509	87-010-248-080		CAP, ELECT 220-10V
	87-A20-946-040		C-IC,MM1434XF	C510	87-010-402-080		CAP, ELECT 2.2-50V
	87-A20-851-040		C-IC,TA2111F	C511	87-010-380-080		CAP, ELECT 47-16V
	8Z-CS1-611-010		IC,TA8189N	C512	87-018-131-080		CAP, CER 1000P-50V
	87-002-260-010		IC,BU4066BL				
	87-CD7-602-010		IC,TA8227P	C513	87-010-382-080		CAP, ELECT 22-25V
				C514	87-010-404-080		CAP, ELECT 4.7-50V
				C515	87-010-380-080		CAP, ELECT 47-16V
TRANSISTOR				C516	87-018-131-080		CAP, CER 1000P-50V
				C517	87-010-404-080		CAP, ELECT 4.7-50V
	89-324-584-080		TR,2SC2458 (0.2W)				
	87-026-663-010		TR,C8050	C518	87-010-404-080		CAP, ELECT 4.7-50V
	87-026-291-080		TR,DTC124XS	C519	87-010-404-080		CAP, ELECT 4.7-50V
	87-026-664-010		TR,C8550	C520	87-018-131-080		CAP, CER 1000P-50V
				C521	87-018-131-080		CAP, CER 1000P-50V
				C524	87-010-248-080		CAP, ELECT 220-10V
DIODE							
				C527	87-018-133-080		CAPACITOR,CER 4700P-16V
	87-017-437-080		DIODE,1N4148M	C529	87-010-265-080		CAP, ELECT 33-16V
	87-A40-337-080		ZENER,MTZJ 6.8B	C530	87-018-134-080		CAPACITOR,TC-U 0.01-16
	88-CD9-651-090		DIODE,J05	C533	87-018-119-080		CAP, CER 100P-50V
	87-070-334-080		ZENER,MTZJ10B	C534	87-018-119-080		CAP, CER 100P-50V
	87-A40-398-010		DIODE,1N4001				
				C535	87-018-119-080		CAP, CER 100P-50V
				C536	87-018-119-080		CAP, CER 100P-50V
MAIN C.B				C601	87-010-404-080		CAP, ELECT 4.7-50V
				C602	87-010-401-080		CAP, ELECT 1-50V
				C603	87-010-401-080		CAP, ELECT 1-50V
	C201	87-010-404-080	CAP, ELECT 4.7-50V				
	C202	87-010-404-080	CAP, ELECT 4.7-50V				
	C203	87-010-248-080	CAP, ELECT 220-10V	C604	87-010-263-080		CAP, ELECT 100-10V
	C204	87-010-380-080	CAP, ELECT 47-16V	C605	87-010-401-080		CAP, ELECT 1-50V
	C205	87-010-402-080	CAP, ELECT 2.2-50V	C606	87-010-401-080		CAP, ELECT 1-50V
				C607	87-010-404-080		CAP, ELECT 4.7-50V
	C206	87-010-404-080	CAP, ELECT 4.7-50V	C608	87-010-248-080		CAP, ELECT 220-10V
	C207	87-010-404-080	CAP, ELECT 4.7-50V				
	C208	87-018-134-080	CAPACITOR,TC-U 0.01-16	C609	87-010-401-080		CAP, ELECT 1-50V
	C209	87-018-134-080	CAPACITOR,TC-U 0.01-16	C610	87-010-401-080		CAP, ELECT 1-50V
	C210	87-018-134-080	CAPACITOR,TC-U 0.01-16	C620	87-010-401-080		CAP, ELECT 1-50V
				C621	87-010-382-080		CAP, ELECT 22-25V
	C211	87-018-134-080	CAPACITOR,TC-U 0.01-16	C622	87-010-382-080		CAP, ELECT 22-25V
	C301	87-018-131-080	CAP,CER 1000P-50V				
	C302	87-010-400-080	CAP, ELECT 0.47-50V	C701	87-010-384-080		CAP,E 100-25V
	C303	87-010-265-080	CAP, ELECT 33-16V	C702	87-010-263-080		CAP, ELECT 100-10V
	C304	87-018-208-080	CAP 0.047-50F	C703	87-010-248-080		CAP, ELECT 220-10V
				C704	87-010-380-080		CAP, ELECT 47-16V
	C305	87-010-545-080	CAP, ELECT 0.22-50V	C801	87-018-131-080		CAP, CER 1000P-50V
	C306	87-010-545-080	CAP, ELECT 0.22-50V				
	C307	87-018-134-080	CAPACITOR,TC-U 0.01-16	C802	87-018-131-080		CAP, CER 1000P-50V
	C308	87-018-134-080	CAPACITOR,TC-U 0.01-16	C803	87-010-380-080		CAP, ELECT 47-16V
	C309	87-010-544-080	CAP, ELECT 0.1-50V	C804	87-010-380-080		CAP, ELECT 47-16V
				C805	87-010-248-080		CAP, ELECT 220-10V
	C310	87-010-401-080	CAP, ELECT 1-50V	C806	87-010-384-080		CAP, ELECT 100-25V
	C311	87-010-546-080	CAP, ELECT 0.33-50V				
	C312	87-010-545-080	CAP, ELECT 0.22-50V	C808	87-010-236-080		CAP,E 1000-10 SME
	C313	87-018-038-080	CAP,TC-S 330P-50 B	C809	87-010-384-080		CAP, ELECT 100-25V
	C316	87-018-059-080	CAP,TC 22P-50 CH	C811	87-010-236-080		CAP,E 1000-10 SME
				C813	87-010-401-080		CAP, ELECT 1-50V
	C317	87-A10-496-010	CAP,CER 18P-50V	C814	87-010-401-080		CAP, ELECT 1-50V
	C318	87-A10-129-010	CAP,CER,3P-50V				
	C321	88-254-452-010	CERAMIC CAPACITOR 150P-50V	C815	87-010-385-080		CAP, ELECT 220-25V
	C322	88-254-352-010	CAP,CER 82P-50V	C817	87-018-209-080		CAP, CER 0.1-50V
	C323	87-018-045-080	CAP,TC-S 2200P-25	C818	87-018-209-080		CAP, CER 0.1-50V
				C820	87-010-401-080		CAP, ELECT 1-50V
	C328	88-254-052-010	CAP,CER 5P-50V	C821	87-010-401-080		CAP, ELECT 1-50V
	C329	88-254-290-810	CAP,CER 47P-50V				
	C330	87-018-059-080	CAP TC-S 22P-50CH	C822	87-018-205-080		CAP, CERA-SOL 0.022
	C331	88-254-240-810	CAP,CER 30P-50V	C823	87-018-205-080		CAP, CERA-SOL 0.022
	C332	87-018-059-080	CAP TC-S 22P-50CH	C826	87-010-380-080		CAP, ELECT 47-16V
				C827	87-018-202-080		CAP.CERAM.6800PF
	C336	87-018-045-080	CAP,TC-S 2200P-25 X	C830	87-018-202-080		CAP.CERAM.6800PF
	C339	87-010-221-080	CAP, ELECT 470-10V				
	C340	87-018-208-080	CAP 0.047-50F	C901	87-018-211-080		CAP, CER 0.01-50
	C342	87-018-131-080	CAP, CER 1000P-50V	C902	87-018-211-080		CAP, CER 0.01-50
	C401	87-010-380-080	CAP, ELECT 47-16V	C903	87-018-211-080		CAP, CER 0.01-50
				C904	87-018-211-080		CAP, CER 0.01-50
	C402	87-010-544-080	CAP, ELECT 0.1-50V	C905	87-010-389-080		CAP ELECT 2200-25V SME
	C501	87-018-131-080	CAP, CER 1000P-50V				
	C502	87-018-131-080	CAP, CER 1000P-50V	CD303	8Z-CS1-614-010		FLTR,CD10.7G1S
	C503	87-018-131-080	CAP, CER 1000P-50V	CF301	8Z-CS1-613-010		FLTR,SFU465
	C504	87-018-131-080	CAP, CER 1000P-50V	CF302	82-785-747-080		CF,MS2 GHY,R
				CN501	8Z-CS1-662-010		CONN,3 PINS 5267-03A
	C505	87-010-380-080	CAP, ELECT 47-16V	CN502	8Z-CS1-663-010		CONN,4 PINS 5267-04A

REF. NO.	PART NO.	KANRI NO.	DESCRIPTION	REF. NO.	PART NO.	KANRI NO.	DESCRIPTION
CN702	8Z-CS1-663-010		CONN, 4 PINS 5267-04A	T501	8Z-CS1-606-010		COIL, BIAS 4A363R
CN703	8Z-CS1-662-010		CONN, 3 PINS 5267-03A	TC302	87-011-220-080		TRIMMER CAP 20P VTC
CN704	8Z-CS1-664-010		CONN, 8 PINS 5267-08A	TC304	87-011-220-080		TRIMMER CAP 20P VTC
F901	87-A90-092-080		FUSE PROTECTOR, 2.5A/60V	VR501	87-024-172-080		SEMI-FIXED RESISTOR, 10K
JK801	87-A60-420-010		HP JACK, #MSJ-20000 3.5MM	VR701	S5-010-850-000		SFR, 500 OHM
L302	8Z-CS1-622-010		COIL, FM 4T 5MM	VR801	8Z-CS1-616-010		SFR, VR 50KB(VOLUME)
L303	S0-080-000-070		IFT CEO-800 7KS-1, 7MM	VR802	8Z-CS1-615-010		SFR, VR 50KB(TONE)
L304	8Z-CS1-610-010		COIL, FM ANT 9T-3.0MM				
L305	8Z-CS1-622-010		COIL, FM 4T 5MM				
L308	S2-352-411-100		COIL, LW 235:24	LED C.B			
PVC301	S5-222-000-040		PVC AM/FM/SW 266/20 PF	D1	S0-024-202-050		LED, SE-6201AT 2X5MM BRIGHT RED
R701	87-001-196-080		FUSE, ICP-N10	D2	S0-024-202-050		LED, SE-6201AT 2X5MM BRIGHT RED
SW201	8Z-CS1-603-010		SW, Q-SOUND				
SW301	S6-300-611-000		SLIDE SW, SK63D01G6				
SW501	8Z-CS1-605-010		SW, REC 6P2T				
SW701	8Z-CS1-601-010		SW, SK42H02 (FUNC)				
SW702	8Z-CS1-602-010		SW, SK43D01 (MONO/ST)				
T301	8Z-CS1-609-010		COIL, AM IFT 4A224R				
T302	8Z-CS1-628-010		COIL, LW OSC 1A875R				
T303	8Z-CS1-626-010		COIL, AM OSC 1A600R				

TRANSISTOR ILLUSTRATION



E C B

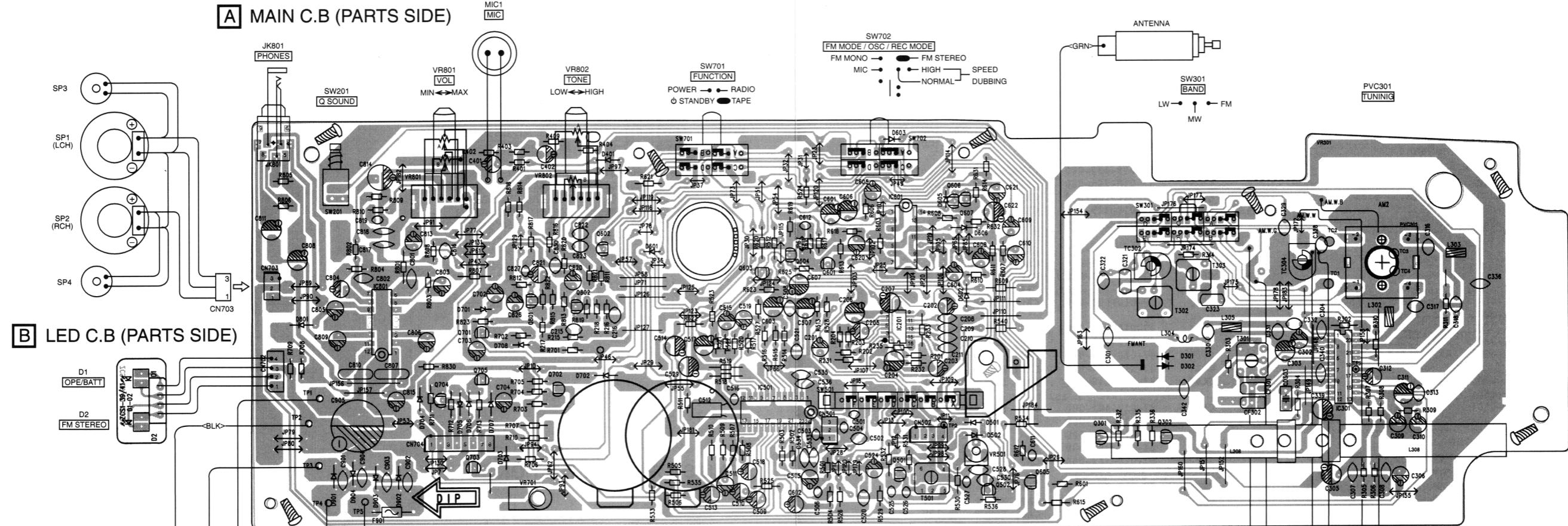
DTC124XS



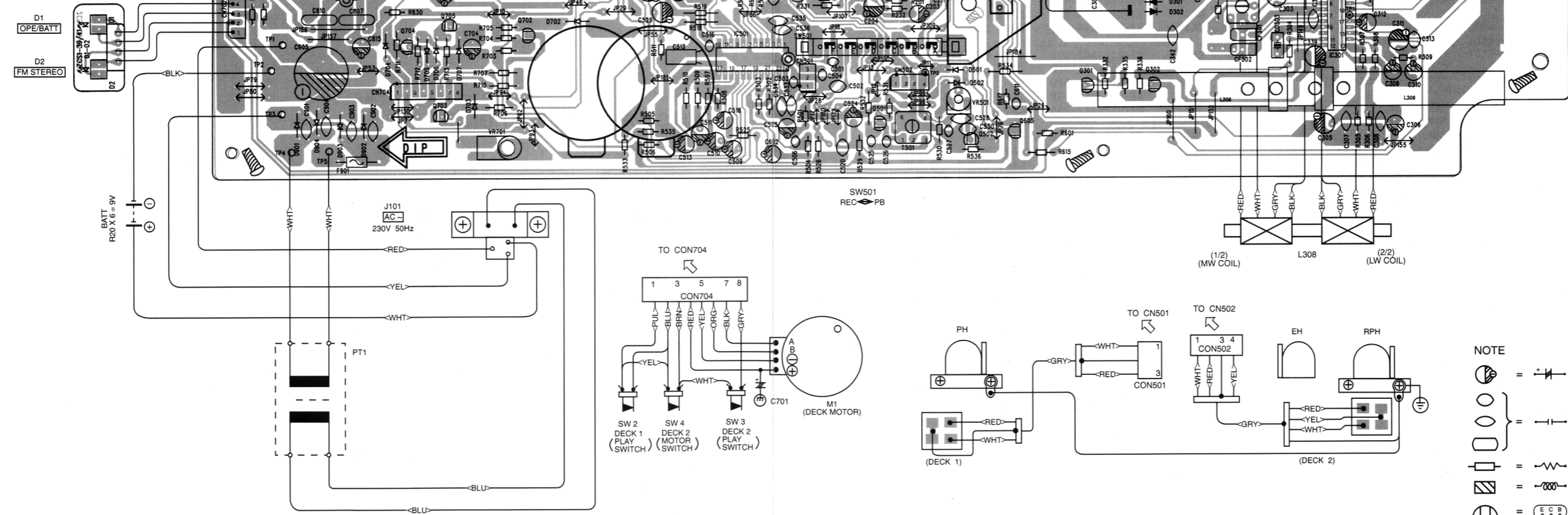
E C B

2SC458
C8050
C8550

A MAIN C.B (PARTS SIDE)

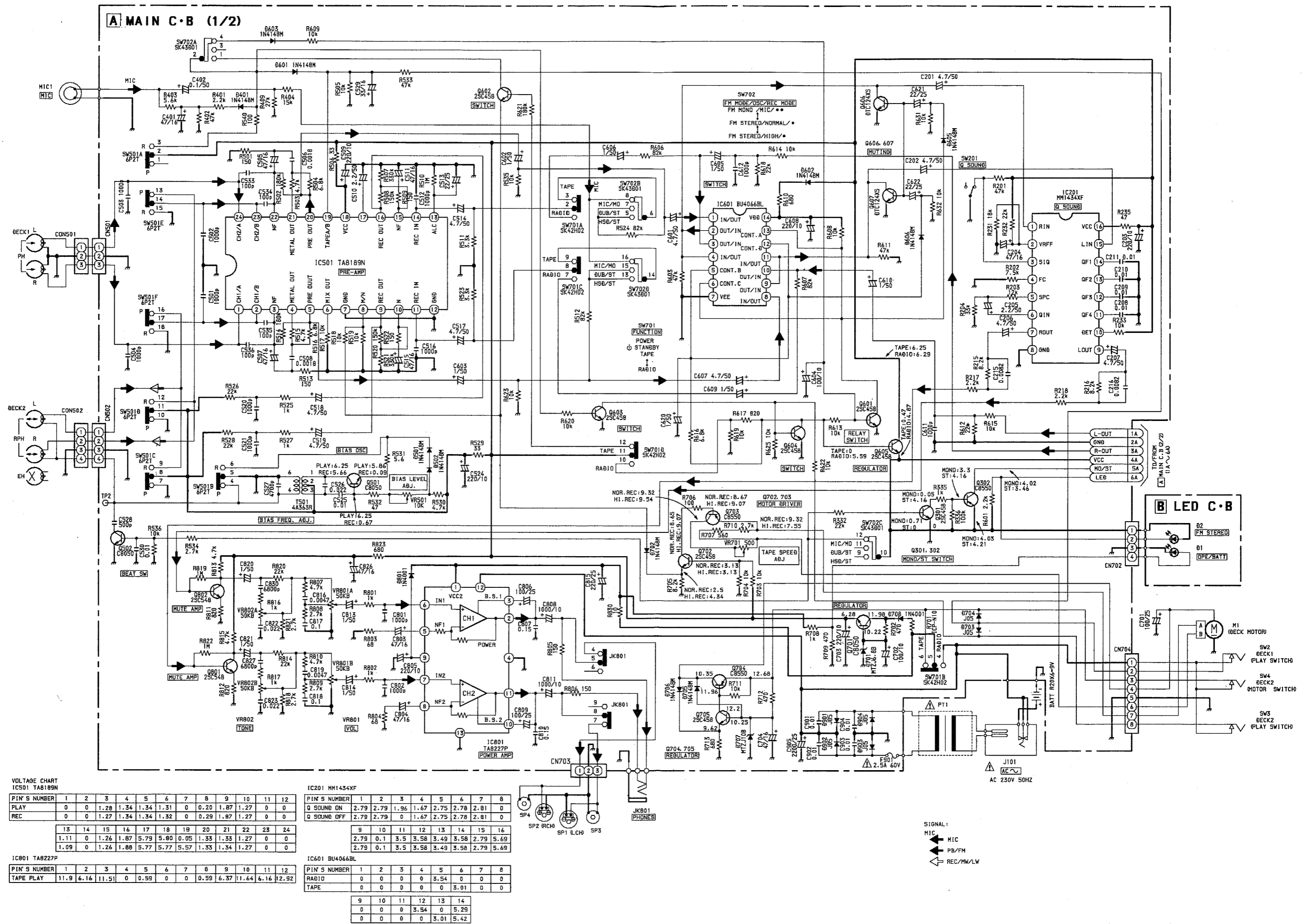


B LED C.B (PARTS SIDE)



- NOTE
- = +
 - = -
 - = -
 - = -
 - = -

SCHEMATIC DIAGRAM - 1 (MAIN 1/2)



VOLTAGE CHART
IC501 TA8189N

PIN #	1	2	3	4	5	6	7	8	9	10	11	12
PLAY	0	0	1.28	1.34	1.34	1.31	0	0.20	1.87	1.27	0	0
REC	0	0	1.27	1.34	1.34	1.32	0	0.29	1.87	1.27	0	0

PIN #	13	14	15	16	17	18	19	20	21	22	23	24
	1.11	0	1.26	1.87	5.79	5.80	0.05	1.33	1.33	1.27	0	0
	1.09	0	1.26	1.88	5.77	5.77	5.57	1.33	1.34	1.27	0	0

IC201 HM1434XF

PIN #	1	2	3	4	5	6	7	8
Q SOUND ON	2.79	2.79	1.96	1.67	2.75	2.78	2.81	0
Q SOUND OFF	2.79	2.79	0	1.67	2.75	2.78	2.81	0

PIN #	9	10	11	12	13	14	15	16
	2.79	0.1	3.5	3.58	3.49	3.58	2.79	5.69
	2.79	0.1	3.5	3.58	3.49	3.58	2.79	5.69

IC801 TA8227P

PIN #	1	2	3	4	5	6	7	8	9	10	11	12
TAPE PLAY	11.9	6.16	11.51	0	0.59	0	0	0.59	6.37	1.64	6.16	12.92

IC601 BU4066BL

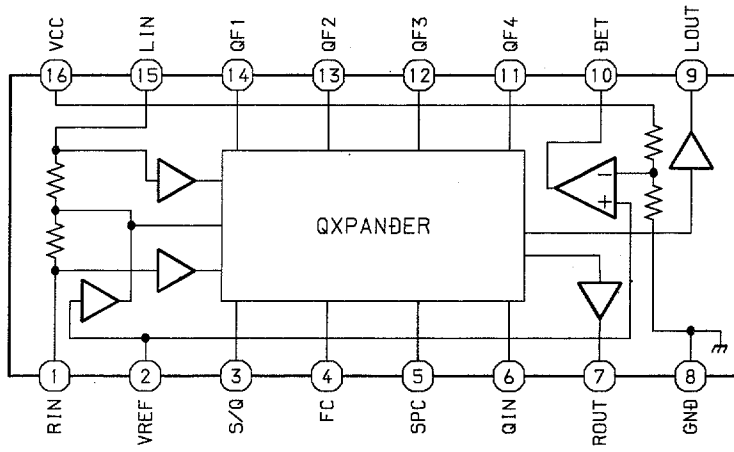
PIN #	1	2	3	4	5	6	7	8
RADIO	0	0	0	0	3.54	0	0	0
TAPE	0	0	0	0	0	3.01	0	0

PIN #	9	10	11	12	13	14
	0	0	0	0	3.54	0
	0	0	0	0	3.01	5.42

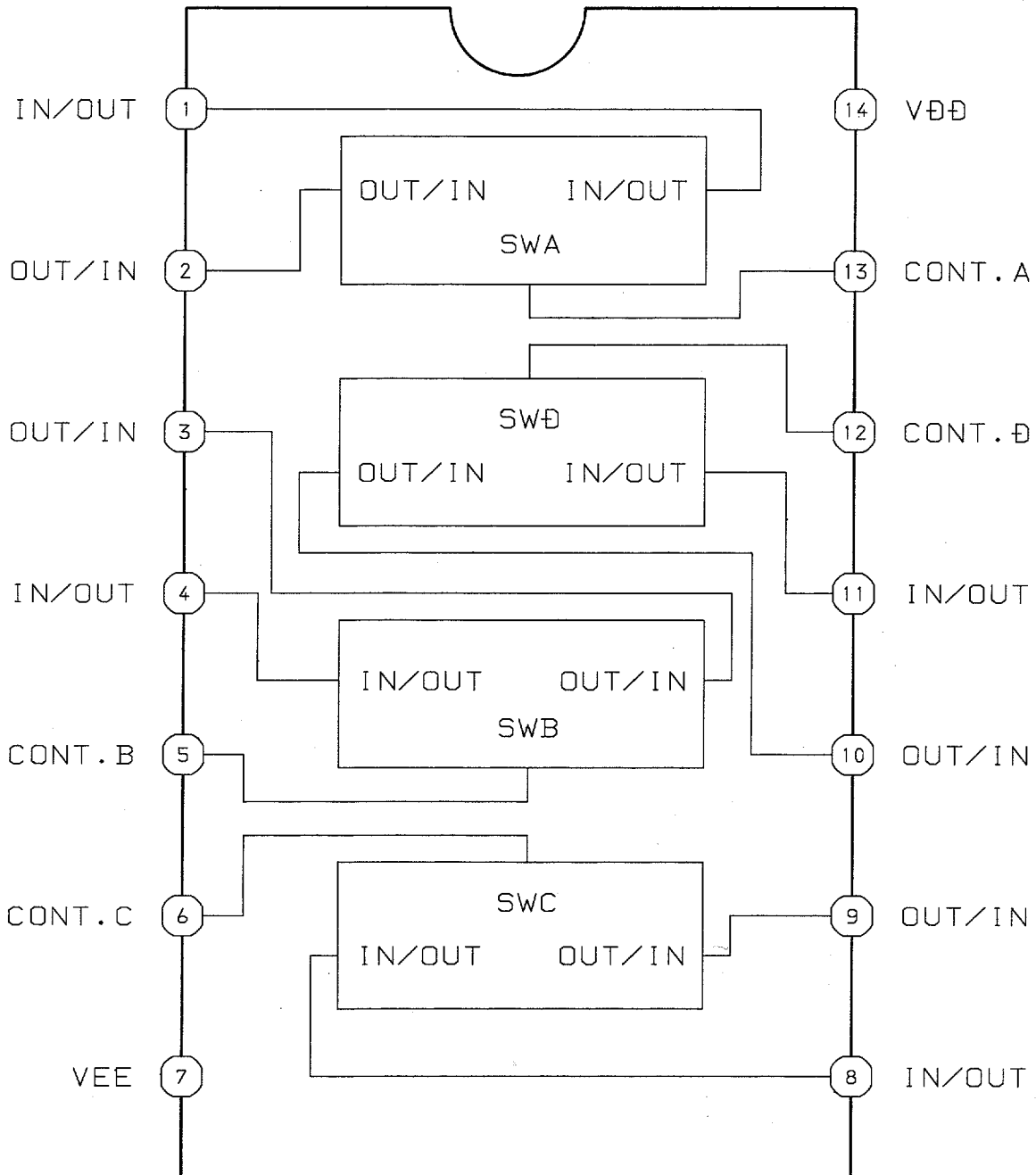
SIGNAL:
 MIC MIC
 PB/FM PB/FM
 REC/M/LW REC/M/LW

IC BLOCK DIAGRAM

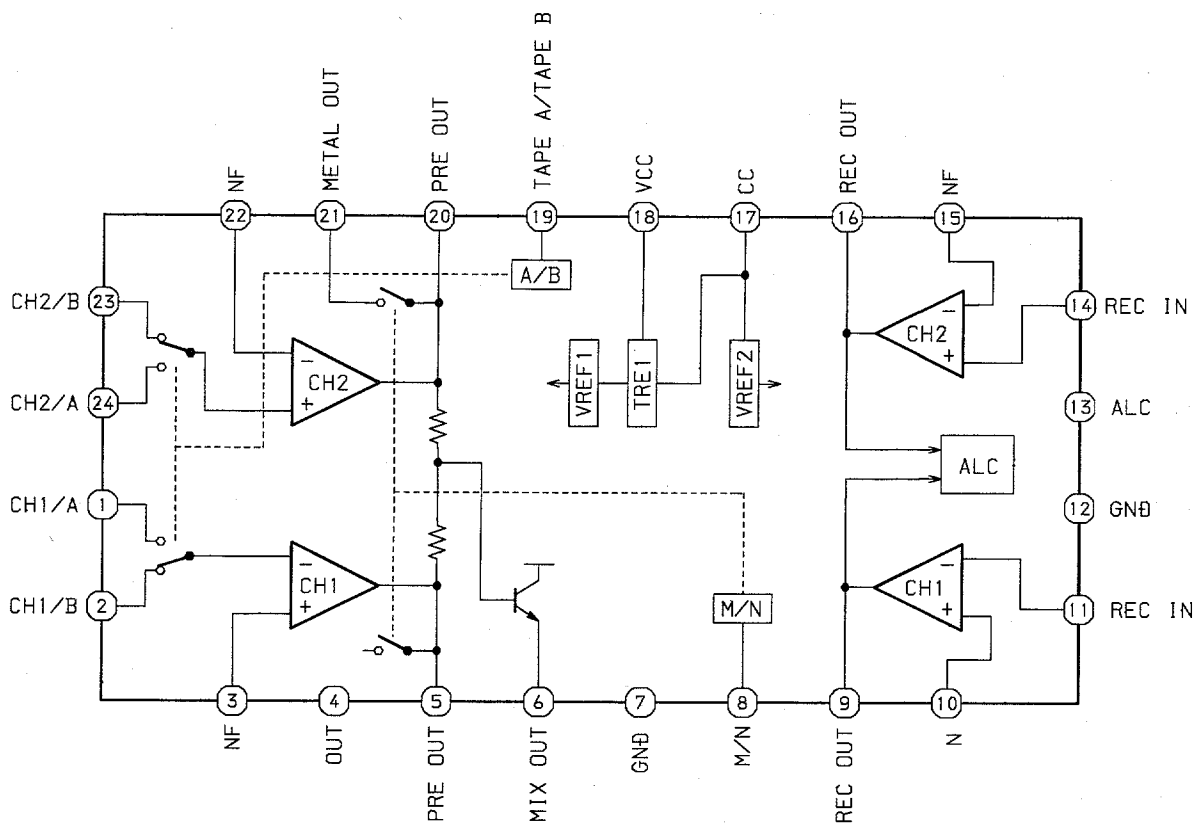
IC, MM1434XF



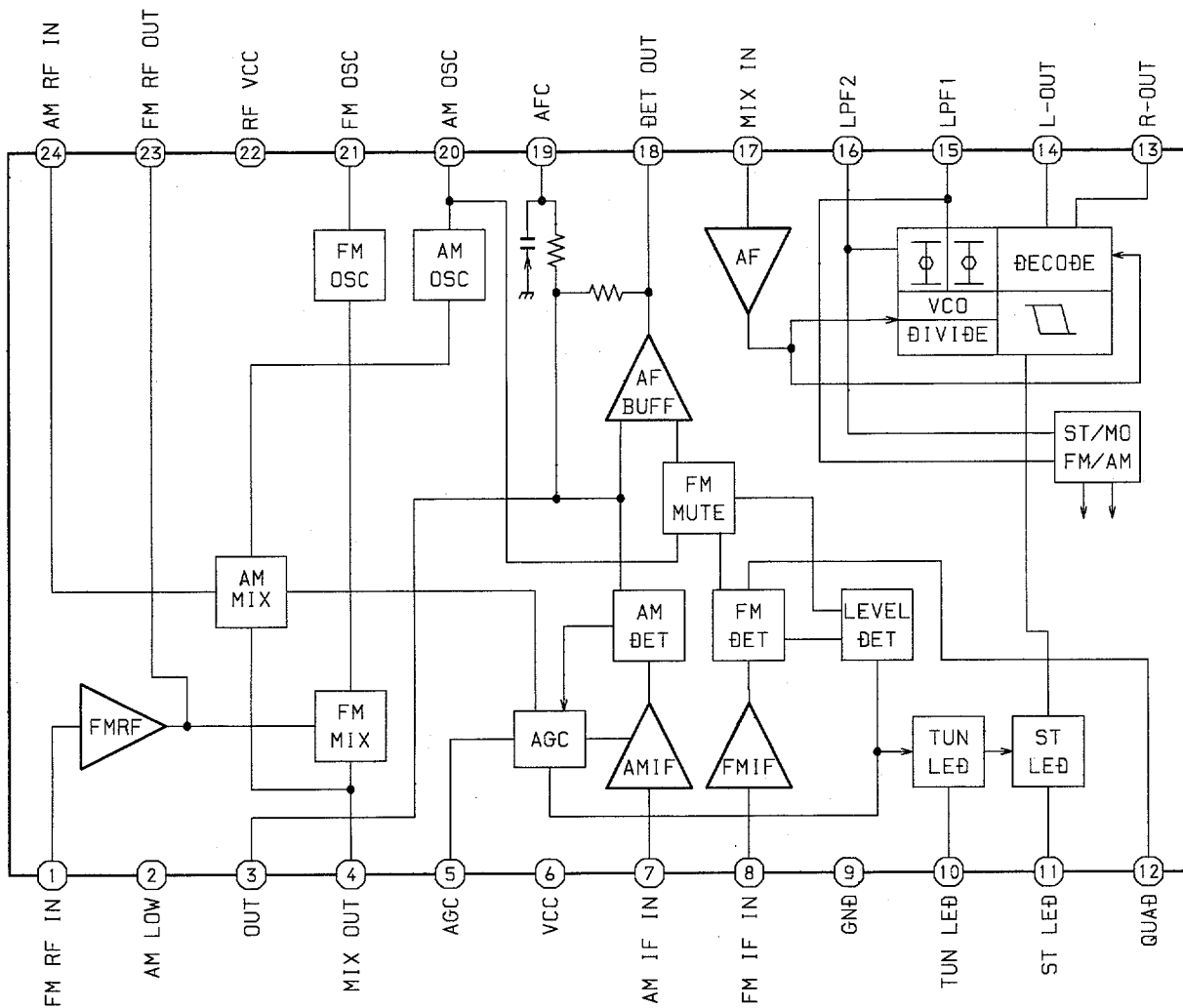
IC, BU4066BL



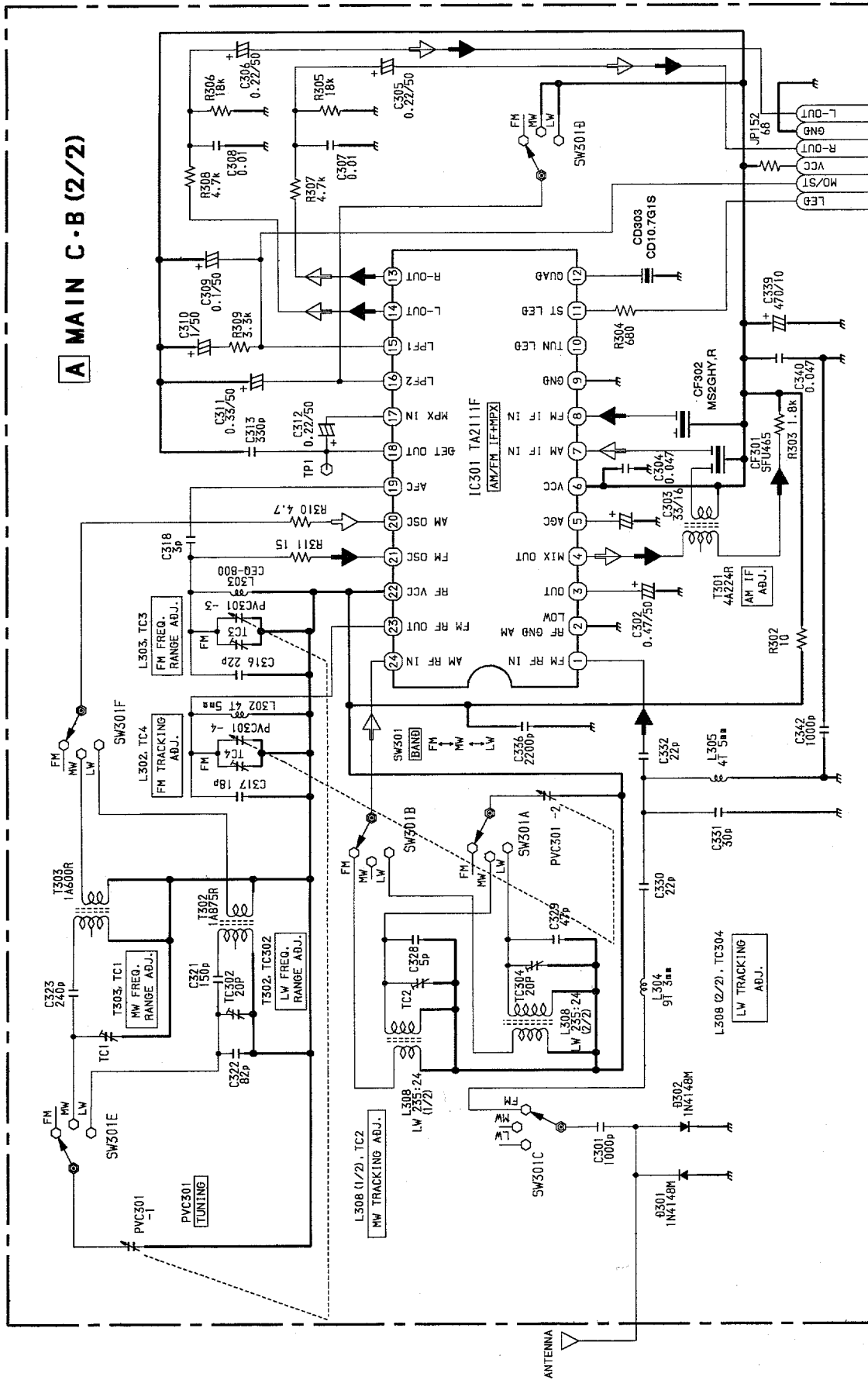
IC, TA8189N



IC, TA2111F



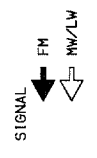
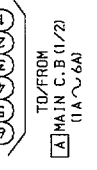
SCHEMATIC DIAGRAM - 2 (MAIN 2/2)



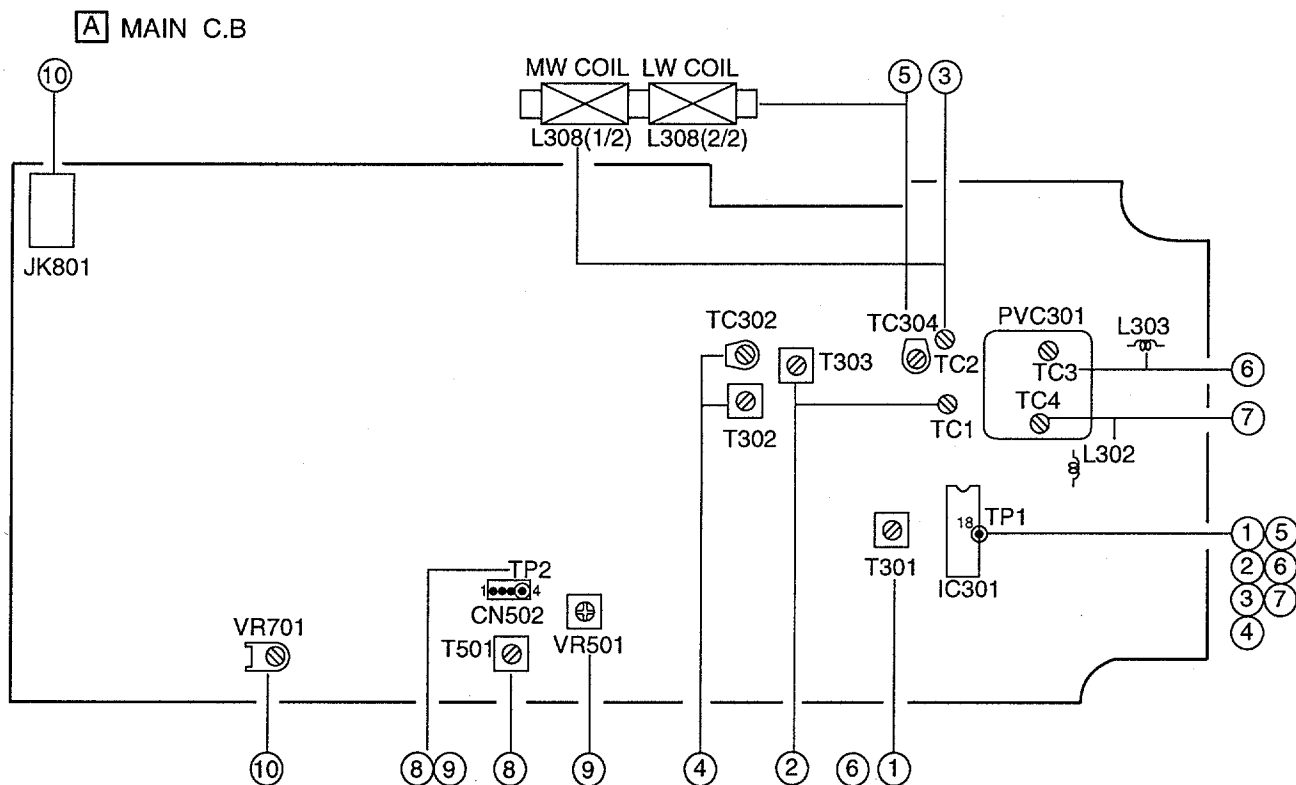
A MAIN C-B (2/2)

VOLTAGE CHART
IC301 TA2111F

PIN # NUMBER	1	2	3	4	5	6	7	8	9	10	11	12
FM ST	0.8	0	0.168	3.42	0.59	4.09	3.63	4.19	0	0	0.16	3.41
AM	0	0	1.16	4.39	0.56	4.55	3.87	4.55	0	0	4.92	3.99
	13	14	15	16	17	18	19	20	21	22	23	24
	1.02	1.02	3.46	3.03	0.71	1.69	0.35	1.13	4.27	4.13	4.12	3.24
	1.04	1.04	3.82	4.55	0.71	1.03	1.15	4.55	4.55	4.55	4.55	4.55



ADJUSTMENT <TUNER / DECK>

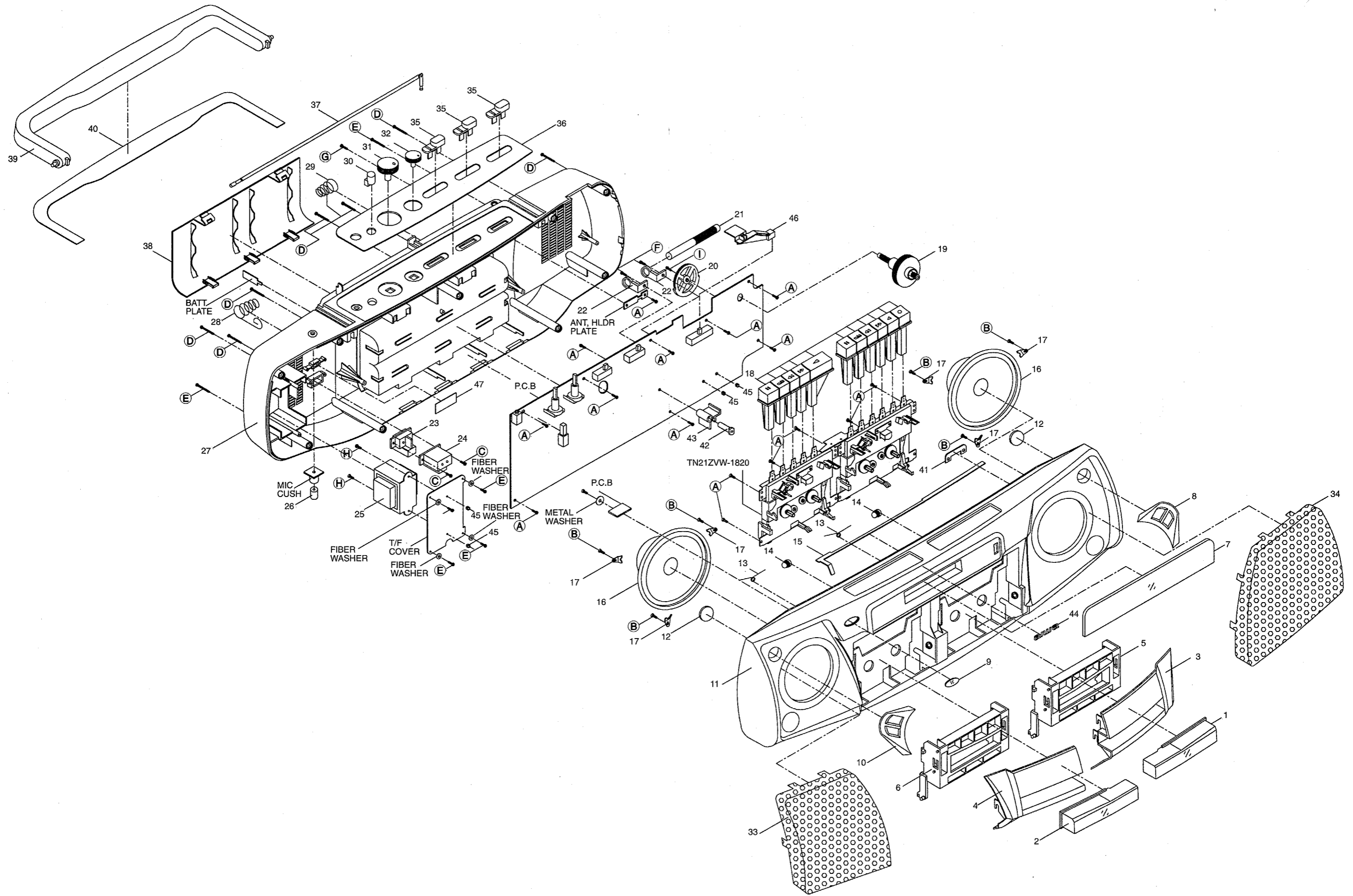


< TUNER SECTION >

1. AM IF Adjustment
Settings : • Test point : TP1 (IC301 PIN18)
• Adjustment location :
T301 465 kHz
2. MW Frequency Range Adjustment
Settings : • Test point : TP1 (IC301 PIN18)
• Adjustment location :
T303 515 kHz
TC1 1635 kHz
3. MW Tracking Adjustment
Settings : • Test point : TP1 (IC301 PIN18)
• Adjustment location :
L308(1/2) 600 kHz waveform max.
TC2 1400 kHz waveform max.
4. LW Frequency Range Adjustment
Settings : • Test point : TP1 (IC301 PIN18)
• Adjustment location :
T302 145 kHz
TC302 295 kHz
5. LW Tracking Adjustment
Settings : • Test point : TP1 (IC301 PIN18)
• Adjustment location :
L308(2/2) 150 kHz waveform max.
TC304 280 kHz waveform max.
6. FM Frequency Range Adjustment
Settings : • Test point : TP1 (IC301 PIN18)
• Adjustment location :
L303 87.3 MHz
TC3 108.3 MHz
7. FM Tracking Adjustment
Settings : • Test point : TP1 (IC301 PIN18)
• Adjustment location :
L302 88 MHz waveform max.
TC4 108 MHz waveform max.

< DECK SECTION >

8. Bias Frequency Adjustment
Settings : • Test point : TP2 (CN502 PIN4)
• Adjustment location :
T501 55 KHz
9. Bias Level Adjustment
Settings : • Test point : TP2 (CN502 PIN4)
• Adjustment location :
VR501 15 V
10. Tape Speed Adjustment
Settings : • Test point : JK801 (PHONES)
• Adjustment location :
VR701 3000 Hz+90/-60 Hz



MECHANICAL PARTS LIST 1 / 1

If can't understand for Description please kindly refer to "REFERENCE NAME LIST".

REF. NO.	PART NO.	KANRI NO.	DESCRIPTION	REF. NO.	PART NO.	KANRI NO.	DESCRIPTION
1	8Z-CS1-006-010		WINDOW,CASS (R)	31	8Z-CS1-013-010		KNOB,RTRY VOL
2	8Z-CS2-025-010		WINDOW,CASS (L)	32	8Z-CS1-014-010		KNOB,RTRY TONE
3	8Z-CS1-004-010		LID,CASS (R)<EZS>	33	8Z-CS1-026-010		GRILLE,L<EZS>
3	8Z-CS2-031-010		LID,CASS R (B)<EZB>	33	8Z-CS2-041-010		GRILLE,L (B)<EZB>
4	8Z-CS2-008-010		LID,CASS (L)<EZS>	34	8Z-CS1-027-010		GRILLE,R<EZS>
4	8Z-CS2-030-010		LID,CASS L (B)<EZB>	34	8Z-CS2-042-010		GRILLE,R (B)<EZB>
5	8Z-CS2-039-010		LID,CASS BKT R (B)<EZB>	35	8Z-CS1-011-010		KNOB,SL
5	8Z-CS1-021-010		LID,CASS BRACKET(R)<EZS>	36	8Z-CS2-013-010		PLATE, TOP EZ
6	8Z-CS2-038-010		LID,CASS BKT L (B)<EZB>	37	S0-184-110-000		TELESCOPIC ROD ANTENNA
6	8Z-CS1-020-010		LID,CASS BRACKET(L)<EZS>	38	8Z-CS1-009-010		LID,BATT<EZS>
7	8Z-CS2-010-010		WINDOW,DIAL EZ<EZS>	38	8Z-CS2-034-010		LID,BATT (B)<EZB>
7	8Z-CS2-032-010		WINDOW,DIAL EZ (W531)<EZB>	39	8Z-CS1-018-010		HANDL,2PIECES<EZS>
8	8Z-CS1-023-010		COVER, TWEETER(R)	39	8Z-CS2-036-010		HANDL,2PIECES (B)<EZB>
9	8Z-CS1-008-010		WINDOW,LED	40	8Z-CS1-024-010		COVER, HANDLE 2PIECES<EZS>
10	8Z-CS1-022-010		COVER, TWEETER(L)	40	8Z-CS2-037-010		COVER, HANDLE 2PIECES(B)<EZB>
11	8Z-CS2-028-010		CABI,FR EX (B)<EZB>	41	S4-438-450-000		POINTER PLATE
11	8Z-CS2-002-010		CABI,FRONT EX<EZS>	42	86-CS3-212-010		HLDR,REC ACTUATER-A
12	S3-200-010-000		BUZZER	43	86-CS3-213-010		HLDR,REC ACTUATER-B
13	8Z-CS1-204-010		SPR-T,CASS	44	81-CD1-032-010		BADGE,AIWA 30.5-5.2
14	86-CS3-214-010		GEAR,	45	86-CS3-217-010		NUT, M3X0.5P NI
15	8Z-CS1-015-010		POINTER,	46	8Z-CS1-201-010		HLDR,BAND
16	S4-040-030-110		SPK.4 OHM 3W	47	86-CS3-210-010		COVER, VOLTAGE
17	86-CS3-215-010		CLIP,SPKR	A	87-741-095-410		ST3X8MM BB BRASS BASED
18	8Z-CS2-024-010		KEY,CASS SET (B)<EZB>	B	87-741-094-410		ST3X6MM BB BRASS BASED
18	8Z-CS2-001-010		KEY,CASS SET (CR)<EZS>	C	87-651-075-410		ST2.6X10MM PB BRASS BASED
19	8Z-CS1-012-010		KNOB,RTRY TUNER<EZS>	D	87-741-103-410		ST3X25MM HEAD V5.9-6.3 BB
19	8Z-CS2-035-010		KNOB,RTRY TUNER (B)<EZB>	E	87-741-102-410		ST3X20MM BB HEAD
20	86-CS3-201-010		GEAR,PVC	F	87-261-096-410		3X10MM PM BRASS BASED
21	S0-101-000-000		FERRITE BAR 100X10MM(LW)	G	87-253-098-410		3X14MM PM NI, T.T.S
22	86-CS3-216-010		HLDR,BAR ANT	H	87-761-094-410		SCREW,3X6MM PWM
△	23	8Z-CS1-667-010	AC SOCKET MKJ102,250V SEMKO	I	87-261-073-410		V+2.6-6
△	24	86-CS3-211-010	COVER, AC SOCKET				
△	25	S3-820-001-400	PT004WEI48/23&F&BEN&230V:113.V				
	26	8Z-CS1-641-010	MIC CONDENSER MIC CMT-60H				
	27	8Z-CS2-029-010	CABI,REAR EX (B)<EZB>				
	27	8Z-CS2-004-010	CABI,REAR HE<EZS>				
	28	86-CS3-207-010	SPR,BATT (-)				
	29	86-CS3-208-010	SPR,BATT (+/-)				
	30	8Z-CS1-025-010	BTN,Q-SOUND<EZS>				
	30	8Z-CS2-040-010	BTN,Q-SOUND (B)<EZB>				

COLOR NAME TABLE

Basic color symbol	Color	Basic color symbol	Color	Basic color symbol	Color
B	Black	C	Cream	D	Orange
G	Green	H	Gray	L	Blue
LT	Transparent Blue	N	Gold	P	Pink
R	Red	S	Silver	ST	Titan Silver
T	Brown	V	Violet	W	White
WT	Transparent White	Y	Yellow	YT	Transparent Yellow
LM	Metallic Blue	LL	Light Blue	GT	Transparent Green
LD	Dark Blue	DT	Transparent Orange		

PRACTICAL SERVICE FIGURE

<TUNER SECTION>

<FM SECTION>

IHF Sensitivity : Less than 22 dB
(THD 3%) [at 88 / 98.0 / 108.0 MHz]
Signal to noise ratio : More than 40 dB
(mono) [at 98.0 MHz]
Distortion(mono) : Less than 3.0 %
[at 98.0MHz]
Stereo separation : More than 25 dB [at 98.0 MHz]
Intermediate frequency : 10.7 MHz \pm 0.3 MHz

<MW SECTION>

Sensitivity : Less than 54 dB
(S/N 10 dB) [at 600/1000/1400 kHz]
Signal to noise ratio : More than 30 dB
[at 1000 kHz]
Distortion : Less than 3.0 %
(5mV/m 30%) [at 1000 kHz]
Distortion : Less than 6.0 %
(5mV/m 80%) [at 1000 kHz]
Intermediate frequency : 465 kHz \pm 5 kHz

<LW SECTION>


Sensitivity : Less than 64 dB
(S/N 10 dB) [at 150/200/280 kHz]
Distortion : Less than 3.0 %
(5mV/m 30%) [at 200 kHz]
Intermediate frequency : 465 kHz \pm 5 kHz

<DECK SECTION>

Tape speed : 2940Hz ~ 3090 Hz(LOW, Deck1,2)
5000Hz ~ 5600 Hz(HI, Deck1,2)
Wow & flutter : Less than 0.35 %(Deck1,2)
Take-up torque : 30 ~ 60 g-cm (FWD, Deck1,2)
FF/REW torque : 45 ~ 140 g-cm(Deck1,2)
PB output level : More than 2.0 W(Deck1)
REC output level : More than 2.0 W(Deck1)
Distortion (PB) : Less than 3.0dB (Deck1,2)
Distortion (REC) : Less than 7.0dB(Deck1)
Signal to noise ratio : More than 35 dB(Deck1,2)
(PB)
Cross talk (PB) : More than 30 dB(Deck1,2)
Seperation (PB) : More than 30 dB(Deck1,2)
Noise ratio (PB) : Less than 40 mV(Max., Deck1,2)
Less than 2.0 mV(Min., Deck1,2)
Erasing ratio (REC) : More than 30 dB(Deck1)

ACCESSORIES / PACKAGE LIST

If can't understand for Description please kindly refer to "REFERENCE NAME LIST".

REF. NO.	PART NO.	KANRI NO.	DESCRIPTION
1	8Z-CS2-908-010		IB,EZ(9L)A
 2	87-A80-081-020		POWER CORD

REFERENCE NAME LIST

ELECTRICAL SECTION

DESCRIPTION	REFERENCE NAME
ANT	ANTENNAS
C-	CHIP
C-CAP	CAP, CHIP
C-CAP TN	CAP, CHIP TANTALUM
C-COIL	COIL, CHIP
C-DI	DIODE, CHIP
C-DIODE	DIODE, CHIP
C-FET	FET, CHIP
C-FOTR	FILTER, CHIP
C-JACK	JACK, CHIP
C-LED	LED, CHIP
C-RES	RES, CHIP
C-SFR	SFR, CHIP
C-SLIDE SW	SLIDE SWITCH, CHIP
C-SW	SWITCH, CHIP
C-TR	TRANSISTOR, CHIP
C-VR	VOLUME, CHIP
C-ZENER	ZENER, CHIP
CAP, CER	CAP, CERA-SOL
CAP, E	CAP, ELECT
CAP, M/F	CAP, FILM
CAP, TC	CAP, CERA-SOL
CAP, TC-U	CAP, CERA-SOL SS
CAP, TN	CAP, TANTALUM
CERA FIL	FILTER, CERAMIC
CF	FILTER, CERAMIC
DL	DELAY LINE
E/CAP	CAP, ELECT
FILT	FILTER
FLTR	FILTER
FUSE RES	RES, FUSE
MOT	MOTOR
P-DIODE	PHOTO DIODE
P-SNSR	PHOTO SENSER
P-TR	PHOTO TRANSISTOR
POLY VARI	VARIABLE CAPACITOR
PPCAP	CAP, PP
PT	POWER TRANSFORMER
PTR, RES	PTR, MELF
RC	REMOTE CONTROLLER
RES NF	RES, NON-FLAMMABLE
RESO	RESONATOR
SHLD	SHIELD
SOL	SOLENOID
SPKR	SPEAKER
SW, LVR	SWITCH, LEVER
SW, RTRY	SWITCH, ROTARY
SW, SL	SWITCH, SLIDE
TC CAP	CAP, CERA-SOL
THMS	THERMISTOR
TR	TRANSISTOR
TRIMER	CAP, TRIMMER
TUN-CAP	VARIABLE CAPACITOR
VIB, CER	RESONATOR, CERAMIC
VIB, XTAL	RESONATOR, CRYSTAL
VR	VOLUME
ZENER	DIODE, ZENER

MECHANICAL SECTION

DESCRIPTION	REFERENCE NAME
ADHESHIVE	SHEET ADHESHIVE
AZ	AZIMUTH
BAR-ANT	BAR-ANTENNA
BAT	BATTERY
BATT	BATTERY
BRG	BEARING
BTN	BUTTON
CAB	CABINET
CASS	CASSETTE
CHAS	CHASSIS
CLR	COLLAR
CONT	CONTROL
CRSR	CURSOR
CU	CUSHION
CUSH	CUSHION
DIR	DIRECTION
DUBB	DUBBING
FL	FRONT LOADING
FLY-WHL	FLYWHEEL
FR	FRONT
FUN	FUNCTION
G-CU	G-CUSHION
HDL	HANDOL
HIMERON	CLOTH
HINGE, BAT	HINGE, BATTERY
HLDR	HOLDER
HT-SINK	HEAT SINK
IB	INSTRUCTION BOOKLET
IDLE	IDLER
IND, L-R	INDICATOR, L-R
KEY, CONT	KEY, CONTROL
KEY, PRGM	KEY, PROGRAM
KNOB, SL	KNOB, SLIDE
LBL	LABEL
LID, BATT	LID, BATTERY
LID, CASS	LID, CASSETTE
LVR	LEVER
P-SP	P-SPRING
PANEL, CONT	PANEL, CONTROL
PANEL, FR	PANEL, FRONT
PRGM	PROGRAM
PULLY, LOAD MO	PULLY, LOAD MOTOR
RBN	RIBBON
S-	SPECIAL
SEG	SEGMENT
SH	SHEET
SHLD-SH	SHIELD-SHEET
SL	SLIDE
SP	SPRING
SP-SCREW	SPECIAL-SCREW
SPACER, BAT	SPACER, BATTERY
SPR	SPRING
SPR-P	P-SPRING
SPR-PC-PUSH	P-SPRING, C-PUSH
T-SP	T-SPRING
TERM	TERMINAL
TRIG	TRIGGER
TUN	TUNING
VOL	VOLUME
W	WASHER
WHL	WHEEL
WORM-WHL	WORM-WHEEL

サービス技術ニュース	
番号	連絡内容
G- -	
G- -	
G- -	

アイワ株式会社
AIWA CO., LTD.

9620450

Tokyo Japan