



HS-TX506
HS-TX606

YU, YZ, YL, YH, YJ

YZ

SERVICE MANUAL

STEREO RADIO
CASSETTE PLAYER

BASIC TAPE MECHANISM : 8ZM-3 P6NF, P7NF

- This Service Manual is the "Revision Publishing" and replaces "Simple Manual" (S/M Code No. 09-001-427-4T1)

aiwa

S/M Code No. 09-003-427-4R1

REVISION

DATA

SPECIFICATIONS

Frequency range:	For using in Europe and other countries AM: 531 - 1,602 kHz (9 kHz step) FM1, FM2: 87.5 - 108 MHz (50 kHz step) For using in North and South America AM: 530 - 1,710 kHz (10 kHz step) FM1, FM2: 87.5 - 108.1 MHz (200 kHz step) For using in Japan AM : 531 - 1,629 kHz (9 kHz step) FM1, FM2 : 76 - 108 MHz (100 kHz step in 76 - 90 MHz, 50 kHz step in 90 - 108 MHz)<YU>
Maximum output:	4 mW + 4 mW (EIAJ 16 ohms)<YZ> 15 mW + 15 mW (EIAJ 32 ohms)<YU>
Power source:	DC 3V using two R6 (AA) dry cell batteries
Battery life (EIAJ 1 mW output):	Approx. 5 hours using R6P (size AA) manganese batteries Approx. 24 hours using LR6 (size AA) alkaline batteries
Maximum dimensions:	111.3 (W) x 88 (H) x 32.5 (D) mm (4 1/2 x 3 1/2 x 1 5/16 in.)
Weight	Approx. 141g (4.94 oz) excluding batteries

• Design and specifications are subject to change without notice.

ACCESSORIES / PACKAGE LIST

If can't understand for Description please kindly refer to "REFERENCE NAME LIST".

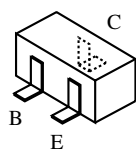
REF.NO.	PARTNO.	KANRI NO.	DESCRIPTION
1	8A-HRE-901-010	IB, YL (3L)	IN<YL>
1	8A-HRE-902-010	IB, YJ (EC)	IN<YJ>
1	8A-HRE-903-010	IB, YZ (ESF)	IN<506YZ>
1	8A-HRE-904-010	IB, YZ (GID)	IN<506YZ>
1	8A-HRE-905-010	IB, YZ (PHNCZ)	IN<506YZ>
1	8A-HRE-906-010	IB, YU (3L)	IN<YU>
1	8A-HRE-908-010	IB, YH (ECC)	IN<YH>
1	8A-HRE-909-010	IB, YZ (ESF)	606 IN<606YZ>
1	8A-HRE-910-010	IB, YZ (GID)	606 IN<606YZ>
1	8A-HRE-911-010	IB, YZ (PHNCZ)	606 IN<606YZ>
2	8A-HRE-951-010	RC UNIT,	RC606<606YZ>
3	8Z-HRB-050-110	CLIP, BELT ASSY	
4	87-B30-255-010	HEADPHONE, HP-M007B	(S)
4	87-B30-081-110	HEADPHONE, HP-M009	(S)<YU, [BSF]YL>
4	87-B30-336-010	HEADPHONE, HP-M041	(S)<606YZ>

ELECTRICAL MAIN PARTS LIST 1 / 1

REF. NO.	PARTNO.	KANRI NO.	DESCRIPTION	REF. NO.	PARTNO.	KANRI NO.	DESCRIPTION
IC				C125	87-A10-263-080		C-CAP,U 0.1-16ZF
	87-A21-387-040		C-IC,TA2145F	C126	87-A10-263-080		C-CAP,U 0.1-16ZF
	87-A20-851-040		C-IC,TA2111F	C127	87-A10-420-080		C-CAP,TN 4.7-4 A TCF
	87-A21-595-010		C-IC,LC72349G-9909	C129	87-010-785-080		C-CAP,U 0.015-25 B
	87-A20-904-080		C-IC,TK11823MTL	C130	87-010-785-080		C-CAP,U 0.015-25 B
TRANSISTOR				C131	87-A10-781-080		C-CAP,U 0.015-10 K B
	87-A30-085-070		C-TR,CSA1362GR	C132	87-A10-781-080		C-CAP,U 0.015-10 K B
	87-026-210-080		C-TR,DTC144EK	C133	87-010-503-040		CAP,E 220-4 GAS
	87-026-264-080		C-TR,RN1411	C134	87-A10-489-040		CAP,E 220-4 7L SR
	89-327-143-080		C-TR,2SC27140	C136	87-012-274-080		CHIP CAP,U 1000P-50B
	87-026-268-080		C-TR,RN2411	C138	87-A10-827-080		C-CAP,U 0.47-6.3 K B
	87-A30-159-080		C-TR,KTA1298Y	C140	87-A10-263-080		C-CAP,U 0.1-16ZF
	89-327-125-080		C-TR,2SC2712GR	C141	87-A11-056-080		C-CAP,U 1-10 Z F
	87-026-263-080		C-TR,RN1410	C142	87-012-278-080		C-CAP,U 2200P-50 B<YH>
DIODE				C143	87-012-269-080		C-CAP,U 390P-50 B
	87-001-142-080		DIODE,1SS294 (100MA)	C146	87-012-272-080		C-CAP,U 680P-50 B
	87-A40-260-080		C-ZENER,UDZ2.0B	C147	87-012-270-080		CAP, U 470P-50
MAIN C.B				C148	87-012-271-080		C-CAP,U 560P-50
BPF101	87-A91-682-010		FLTR,GFWB7-C1	C157	87-012-275-080		C-CAP,U 1200P-50 B
C1	87-012-276-080		CAP, CHIP SS 1500P-50	C205	87-012-170-080		C-CAP,U 8P-50 CH
C2	87-012-276-080		CAP, CHIP SS 1500P-50	C206	87-012-170-080		C-CAP,U 8P-50 CH
C5	87-A11-189-080		C-CAP,TN 47-4 BM004R	C207	87-A11-056-080		C-CAP,U 1-10 Z F
C6	87-A11-189-080		C-CAP,TN 47-4 BM004R	C209	87-012-286-080		C-CAP,U 0.01-25
C7	87-012-285-080		C-CAP,U 8200P-50 B	C210	87-A10-263-080		C-CAP,U 0.1-16ZF
C8	87-012-285-080		C-CAP,U 8200P-50 B	C211	87-A10-025-080		C-CAP,U 0.22-16Z F
C9	87-A11-056-080		C-CAP,U 1-10 Z F	C212	87-A10-263-080		C-CAP,U 0.1-16ZF
C10	87-A11-056-080		C-CAP,U 1-10 Z F	C213	87-A11-056-080		C-CAP,U 1-10 Z F
C11	87-A11-056-080		C-CAP,U 1-10 Z F	C214	87-012-274-080		C-CAP,U 1000P-50B
C12	87-A11-056-080		C-CAP,U 1-10 Z F	C215	87-012-278-080		C-CAP,U 2200P-50 B
C13	87-010-503-040		CAP,E 220-4 GAS<606YZ>	C216	87-A11-056-080		C-CAP,U 1-10 Z F
C14	87-010-503-040		CAP,E 220-4 GAS	C218	87-A11-056-080		C-CAP,U 1-10 Z F
C15	87-012-274-080		CHIP CAP,U 1000P-50B	C251	87-012-286-080		C-CAP, U 0.01-25
C16	87-012-274-080		CHIP CAP,U 1000P-50B	C252	87-A11-056-080		C-CAP,U 1-10 Z F
C17	87-A11-189-080		C-CAP,TN 47-4 BM004R	C254	87-A11-056-080		C-CAP,U 1-10 Z F
C18	87-A10-263-080		C-CAP,U 0.1-16ZF	C255	87-012-167-080		C-CAP,U 5P-50 CH
C21	87-010-503-040		CAP,E 220-4 GAS	C256	87-012-337-080		C-CAP,U 8P-50 CH
C22	87-010-853-080		C-CAP,220-4V H5.5	C257	87-012-170-080		C-CAP,U 8P-50 CH
C23	87-A10-489-040		CAP,E 220-4 7L SR	C258	87-012-286-080		C-CAP, U 0.01-25
C24	87-A10-706-080		C-CAP,U 0.33U-16 F Z	C259	87-010-452-080		C-CAP, 1-16
C25	87-A10-706-080		C-CAP,U 0.33U-16 F Z	C261	87-012-278-080		C-CAP,U 2200P-50 B
C26	87-010-503-040		CAP,E 220-4 GAS<606YZ>	C262	87-012-278-080		C-CAP,U 2200P-50 B
C27	87-A11-056-080		C-CAP,U 1-10 Z F	C263	87-012-280-080		C-CAP,U 3300P-50
C28	87-A11-056-080		C-CAP,U 1-10 Z F	C264	87-012-277-080		C-CAP, U 1800P-50 B
C51	87-A11-056-080		C-CAP,U 1-10 Z F	C401	87-A10-260-080		C-CAP,U 0.1-16 K B
C53	87-A11-056-080		C-CAP,U 1-10 Z F	C402	87-A10-260-080		C-CAP,U 0.1-16 K B
C101	87-A10-504-080		C-CAP,U 0.047-16 K B	CF101	87-A90-710-010		FLTR,AM IF PFS450A3
C102	87-012-286-080		C-CAP, U 0.01-25	D101	87-A40-462-040		C-VARI-CAP,SVC347(S)
C103	87-A10-263-080		C-CAP,U 0.1-16ZF	D102	87-A40-484-070		C-VARI-CAP,SVC203CP
C104	87-012-188-080		C-CAP,U 47P-50 CH	D103	87-A40-484-070		C-VARI-CAP,SVC203CP
C105	87-012-271-080		CAP, U 560P-50	J1	87-A60-437-010		JACK,3.5 BLK ST W/O SW4P<EXCEPT 606YZ>
C106	87-012-196-080		C-CAP,U 120P-50 CH	J1	87-A60-438-010		JACK,3.5 BLK ST W/O SW<606YZ>
C107	87-012-162-080		C-CAP,U 1P-50 CK	J2	87-A61-124-010		JACK,DC DIA2.75 BLK TC<YH>
C108	87-012-196-080		C-CAP,U 120P-50 CH	L1	87-A50-605-010		COIL,RF CHOKE
C110	87-012-172-080		C-CAP,U 10P-50 CH	I4	87-003-240-080		C-COIL,S 3.3UH<606YZ>
C112	87-012-180-080		C-CAP,U 22P-50 CH	L101	8Z-HRC-605-010		BAR-ANT,MW
C113	87-012-172-080		C-CAP,U 10P-50 CH	L102	8A-HRE-604-010		COIL,FM RF
C114	87-012-286-080		C-CAP,U 0.01-25	L103	8A-HRE-605-010		COIL,OSC FM
C115	87-012-164-080		C-CAP,U 2P-50 CK	L104	87-005-742-080		COIL,100UH J SP02
C118	87-A11-056-080		C-CAP,U 1-10 Z F	L105	87-A90-663-010		IFT,MW 5L H6.4
C119	87-012-286-080		C-CAP,U 0.01-25	L251	87-A50-443-080		C-COIL,D-D(C5-S)
C120	87-012-279-080		C-CAP,U 2700P-50 B	LCD201	8A-HRE-603-010		LCD,ASSY(BAND/TU) 17P
C121	87-012-274-080		C-CAP,U 1000P-50B	R51	87-022-335-080		C-RES,S180-1/10W F
C122	87-A10-825-080		C-CAP,U 33-6.3 K B	R207	87-022-289-080		C-RES U180K 1/16WF<606YZ>
C123	87-A10-825-080		C-CAP,U 33-6.3 K B	R216	87-022-296-080		C-RES,U 680K-1/16W F
C124	87-A11-056-080		C-CAP,U 1-10 Z F	R217	87-022-295-080		C-RES,U 560K-1/16W F
				S1	87-A91-077-010		SW,LEAF
				S3	87-A91-191-010		SW,SL 2-2-2 SK22D04
				S206	87-A90-232-080		C-SW,TACT SKQRAA
				SFR51	87-A91-571-080		C-SFR,1K V RH03AVA<EXCEPT YH>
				SFR52	87-A91-571-080		C-SFR,1K V RH03AVA<YH>

REF. NO.	PARTNO.	KANRI NO.	DESCRIPTION
SW213	87-A90-330-080		C-SW, SL 1-1-2 SSSS81 T1.4
VC101	87-A91-183-080		C-TRIMMER, CER 10P TZC03
VR1	87-A91-581-010		VR, RTRY 20KBX1
X201	87-A70-173-010		VIB, XTAL 75KHZ DT-261

TRANSISTOR ILLUSTRATION



2SC2712
 2SC2714
 CSA1362
 DTC144
 KTA1298
 RN2411
 RN1411
 RN1410

○チップ抵抗部品コード/CHIP RESISTOR PART CODE

チップ抵抗部品コードの成り立ち

Chip Resistor Part Coding

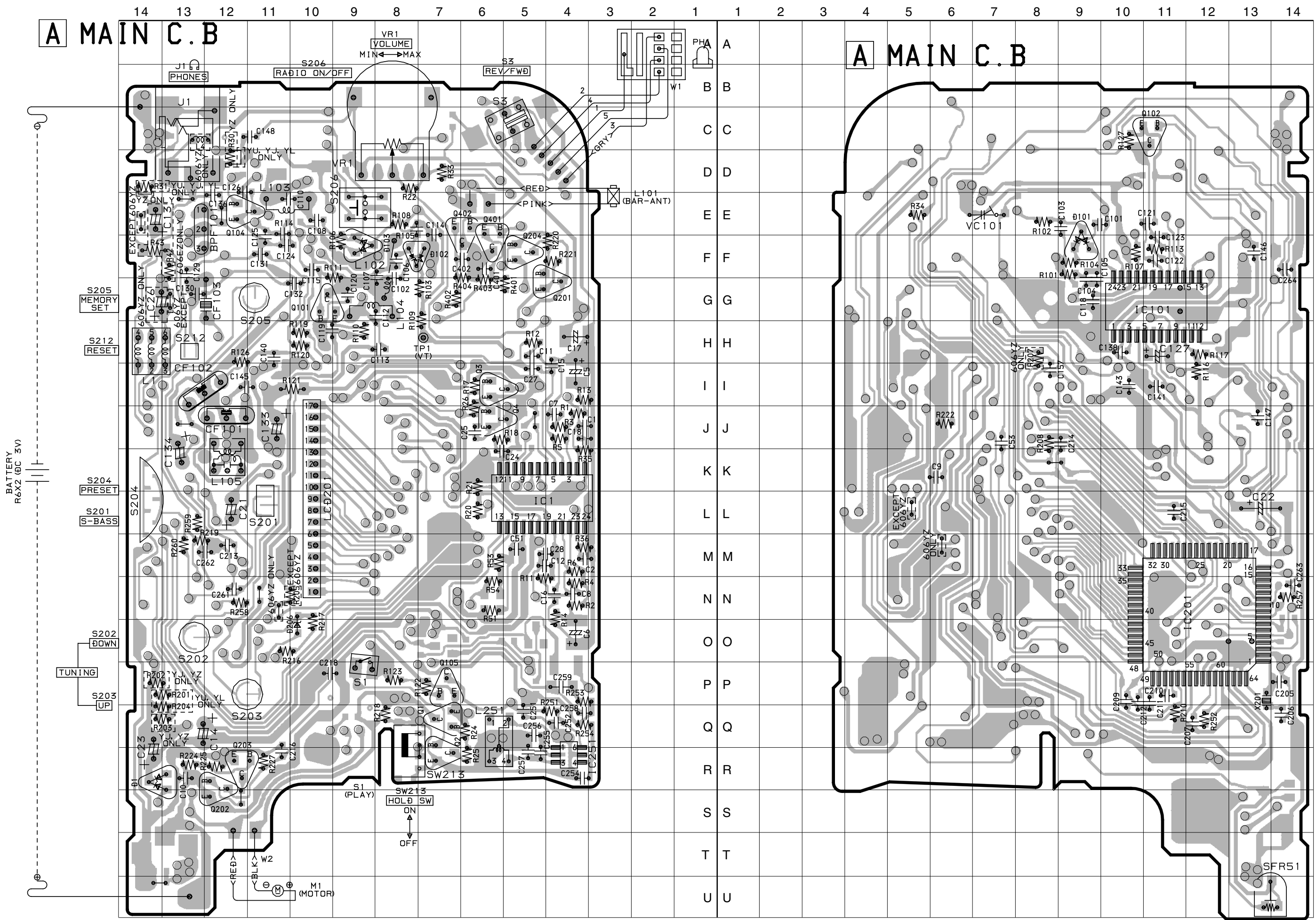


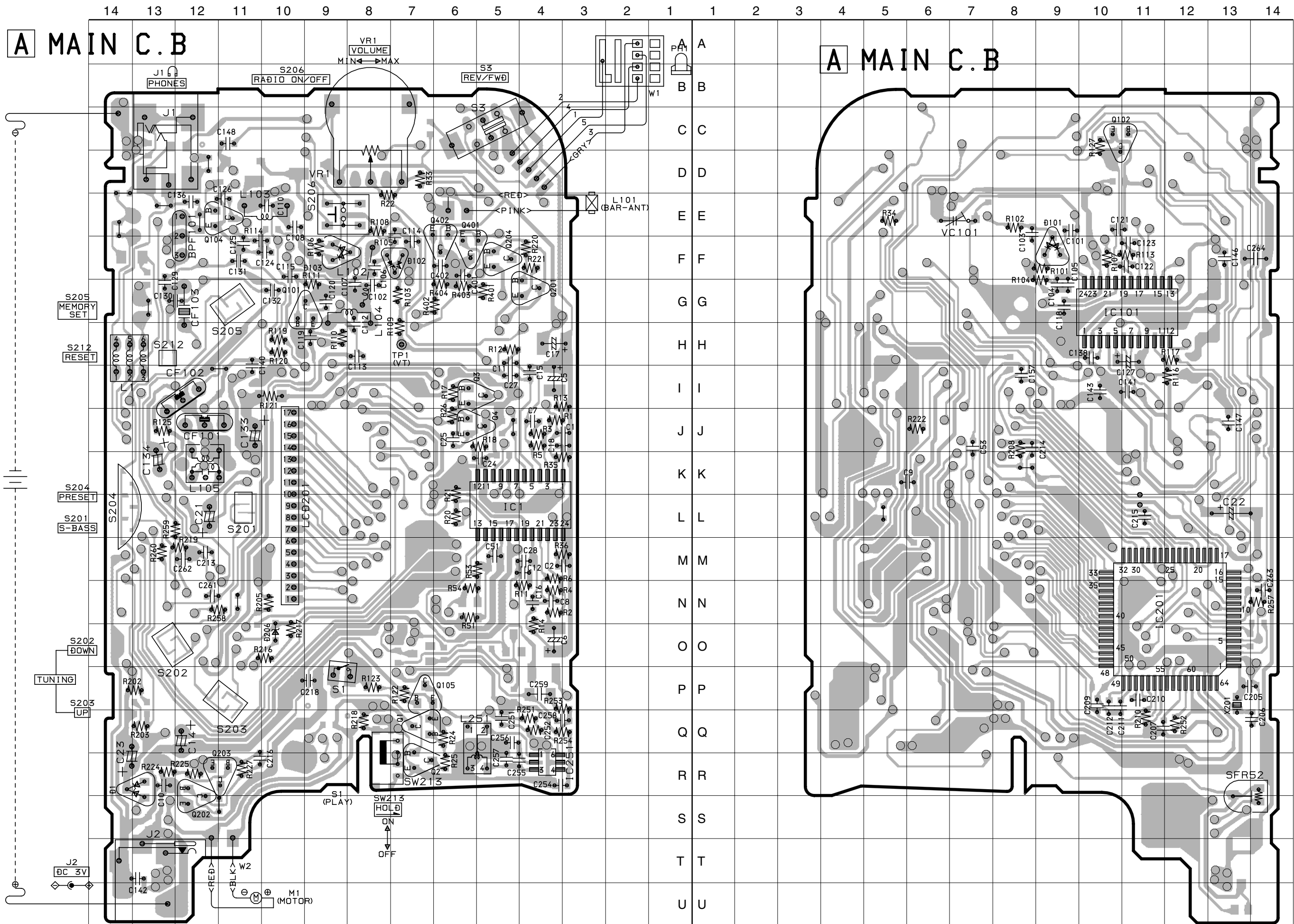
A
 抵抗部品コード
 Resistor Code

桁表示
 Figure
 抵抗値
 Value of resistor

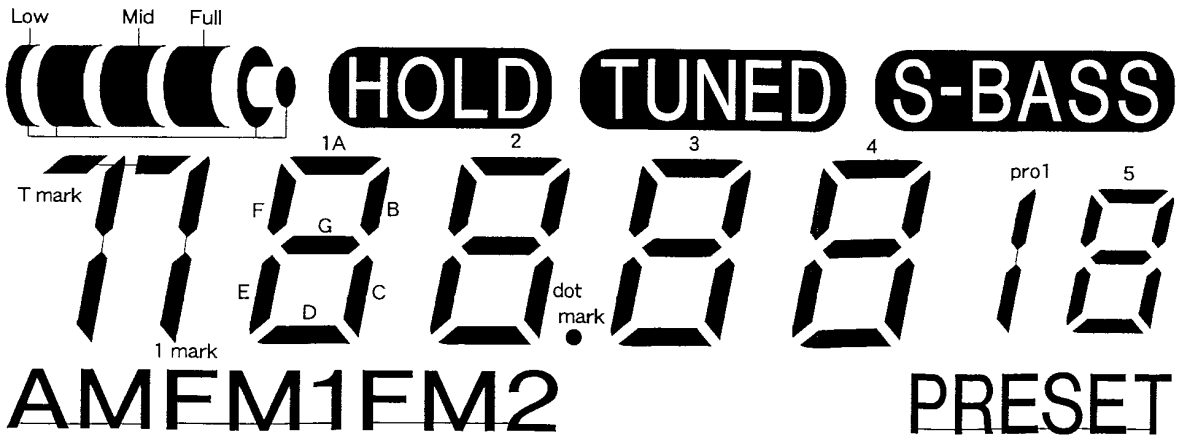
チップ抵抗 Chip resistor

容量 Wattage	種類 Type	許容誤差 Tolerance	記号 Symbol	寸法/Dimensions (mm)			抵抗コード : A Resistor Code : A	
				外形/Form	L	W		t
1/16W	1005	± 5%	CJ		1.0	0.5	0.35	104
1/16W	1608	± 5%	CJ		1.6	0.8	0.45	108
1/10W	2125	± 5%	CJ		2	1.25	0.45	118
1/8W	3216	± 5%	CJ		3.2	1.6	0.55	128





LCD DISPLAY



NO	COM1	COM2	COM3	COM4
1	Mid	T mark	—	Low
2	—	Full	1 mark	AM
3	1F	1E	1D	FM1
4	1A	1G	1C	—
5	HOLD	1B	2E	FM2
6	2F	2G	2C	2D
7	2B	3F	3E	Dot mark
8	2A	3A	3G	3D
9	TUNED	4F	3B	3C
10	4A	4B	4G	4E
11	S-Bass	Pro1	4C	4D
12	5A	5F	5E	5D
13	5B	5G	5C	PRESET
14	—	—	—	COM4
15	—	—	COM3	—
16	—	COM2	—	—
17	COM1	—	—	—

IC DESCRIPTION

IC, LC72349G-9909

Pin No.	Pin Name	I/O	Description
1	XOUT	-	Crystal 75kHz oscillator pin.
2	TEST2	-	Connected to ground.
3	PA3	I	Key matrix input.
4	PA2	I	Key matrix input.
5	PA1	I	Key matrix input.
6	PA0	I	Key matrix input.
7	PB3	O	Key return timing output. (Not used)
8	PB2	O	Key return timing output.
9	PB1	O	Key return timing output.
10	PB0	O	Key return timing output.
11	FM / \overline{AM}	O	'H' : FM out, 'L' : AM out.
12	FM ST / \overline{MN}	O	'H' : FM Stereo out, 'L' : FM Mono out. (Not used)
13	S-BASS \overline{ON} / OFF	O	S-BASS switching output. 'H' : OFF, 'L' : ON.
14	NC	-	Not connected.
15	DES	I	These two input ports determine the destination.
16	DES	I	
17	TAPE	I	In Clock mode: 'H' = LCD display TAPE. 'L' = LCD BLANK.
18	POWER CHECK 1	I	Power check input port.
19	NC	-	Not connected.
20	BUZZER	O	Buzzer output.
21	POWER CHECK 2	I	Power check input port.
22	POWER CHECK 3	I	Constant 0.7V reference voltage for power check function.
23	REMOTE	I	A / D in for remote controller.
24	GND	-	Ground terminal.
25	POWER SW	O	'H' : Power Off, 'L' : Power On.
26	HOLD	I	'H' : Hold Off, 'L' : Hold On.
27	MUTE	O	'H' : Mute Off, 'L' : Mute On.
28	TU OUT	O	'H' : Tuner Off, 'L' : Tuner On.
29	TUNE IN	I	'L' : LCD displays 'TUNED'.
30	S15	O	'L' : Game enable, 'H' : Game disable.
31	S14	O	LCD segment output.
32	S13	O	LCD segment output.
33	S12	O	LCD segment output.
34	S11	O	LCD segment output.
35	S10	O	LCD segment output.
36	S9	O	LCD segment output.
37	S8	O	LCD segment output.
38	S7	O	LCD segment output.
39	S6	O	LCD segment output.
40	S5	O	LCD segment output.
41	S4	O	LCD segment output.
42	S3	O	LCD segment output.

Pin No.	Pin Name	I/O	Description
43	S2	O	LCD segment output.
44	S1	O	LCD segment output.
45	COM4	O	LCD commn output 4.
46	COM3	O	LCD commn output 3.
47	COM2	O	LCD commn output 2.
48	COM1	O	LCD commn output 1.
49	DBR4	-	LCD reference voltage.
50	DBR3	-	LCD reference voltage.
51	DBR2	-	Voltage doubler boosting.
52	DBR1	-	Voltage doubler boosting.
53	$\overline{\text{RESET}}$	I	System reset input.
54	HCTR	-	Pulse out.
55	VDD	-	Supply voltage terminal.
56	FMIN	I	FM oscillator signal input.
57	AMIN	I	AM oscillator signal input.
58	GND	-	Ground terminal.
59	PLL OUT	O	Phase comparison output.
60	LPF OUT	I	LPF output.
61	VT	I	VT input.
62	GND	-	Ground terminal.
63	TEST 1	-	Connected to ground.
64	XIN	-	Crystal 75kHz oscillator pin.

VOLTAGE CHART

IC, TA2145F

PIN NO.	AM	FM	TAPE
1	0	0	0
2	1.163	1.163	1.163
3	1.162	1.162	1.162
4	1.13	1.13	1.13
5	1.162	1.162	1.162
6	0.91	0.91	0.91
7	1.139	1.139	1.139
8	1.121	1.121	1.121
9	1.167	1.167	1.167
10	1.164	1.164	1.164
11	0	0	0
12	0	0	0
13	0	0	1.3
14	0	0	1.68
15	0	0	2.5
16	0	0	3
17	3	3	3
18	2.866	2.866	0
19	2.557	2.557	2.557
20	1.162	1.162	1.162
21	1.13	1.13	1.13
22	1.162	1.162	1.162
23	1.163	1.163	1.163
24	1.163	1.163	1.163

IC, TA2111F

PIN NO.	AM	FM	TAPE
1	0.822	0.822	0
2	0	0	0
3	0.353	0.353	0
4	2.431	2.431	0
5	0	0	0
6	2.837	2.837	0
7	2.322	2.322	0
8	2.835	2.835	0
9	0	0	0
10	2.833	2.833	0
11	0	0	0
12	2.059	2.059	0
13	1.205	1.205	0
14	1.133	1.133	0
15	2.143	2.143	0
16	2.074	2.074	0
17	0.699	0.699	0
18	1.102	1.102	0
19	0.348	0.348	0
20	2.836	2.836	0
21	2.849	2.849	0
22	2.836	2.836	0
23	2.836	2.836	0
24	2.836	2.836	0

IC, TK11823MTL

PIN NO.	AM (530kHz)	FM (530kHz)	TAPE
1	0	0	0
2	0.773	0.758	0
3	0	0	0
4	1.334	3.147	0
5	0	0	0
6	2.652	2.676	0

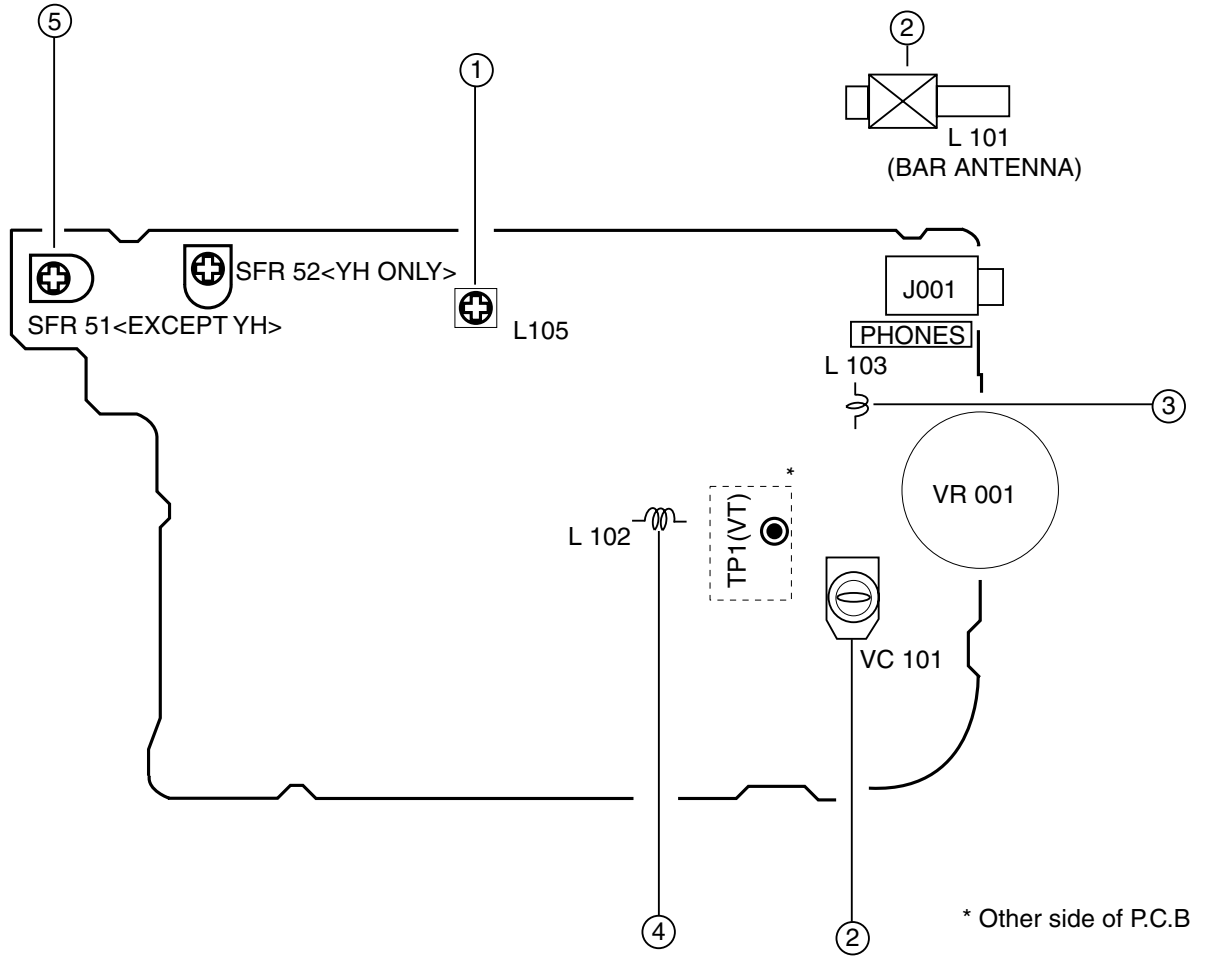
IC, LC72349G-9909

PIN NO.	AM	FM	TAPE
1	1.385	1.385	1.385
2	0	0	0
3	0.7	0.7	0.3
4	0.8	0.7	0.3
5	0.8	0.7	0.3
6	0.7	0.7	0.3
7	0.7	0.7	0.3
8	2.928	2.895	2.762
9	2.928	2.895	2.762
10	2.929	2.895	2.762
11	2.702	2.702	0
12	2.738	2.738	0
13	2.622(SB OFF) H/L 0(SB ON) H/L		
14	2.738	2.738	2.738
15	2.109	2.109	2.109
16	0	0	0
17	0	0	3
18	3	3	3
19	0	0	0
20	0	0	0
21	3	3	3
22	0.54	0.54	0.54
23	0	0	0
24	0	0	0
25	2.199	2.199	177
26	2.861	2.861	2.861
27	2.861	2.861	2.861
28	2.861	2.861	2.861
29	2.829	2.829	0
30	2.861	2.861	2.861
31	1.5	1.5	1.5
32	1.5	1.5	1.5

PIN NO.	AM	FM	TAPE
33	1.5	1.5	1.5
34	1.5	1.5	1.5
35	1.5	1.5	1.5
36	1.5	1.5	1.5
37	1.5	1.5	1.5
38	1.5	1.5	1.5
39	1.5	1.5	1.5
40	1.5	1.5	1.5
41	1.5	1.5	1.5
42	1.5	1.5	1.5
43	1.5	1.5	1.5
44	1.5	1.5	15
45	1.52	1.52	1.52
46	1.52	1.52	1.52
47	1.52	1.52	1.52
48	1.52	1.52	1.52
49	1.52	1.52	1.52
50	3	3	3
51	1.982	1.982	1.982
52	0.5	0.5	0.5
53	2.2	2.2	2.2
54	0	0	0.27
55	2.86	2.86	2.86
56	0	0	0
57	0	0	0
58	0	0	0
59	0	0	0
60	0	0	0
61	0	0	0
62	0	0	0
63	0	0	0
64	1.356	1.356	1.356

ADJUSTMENT

A MAIN C.B



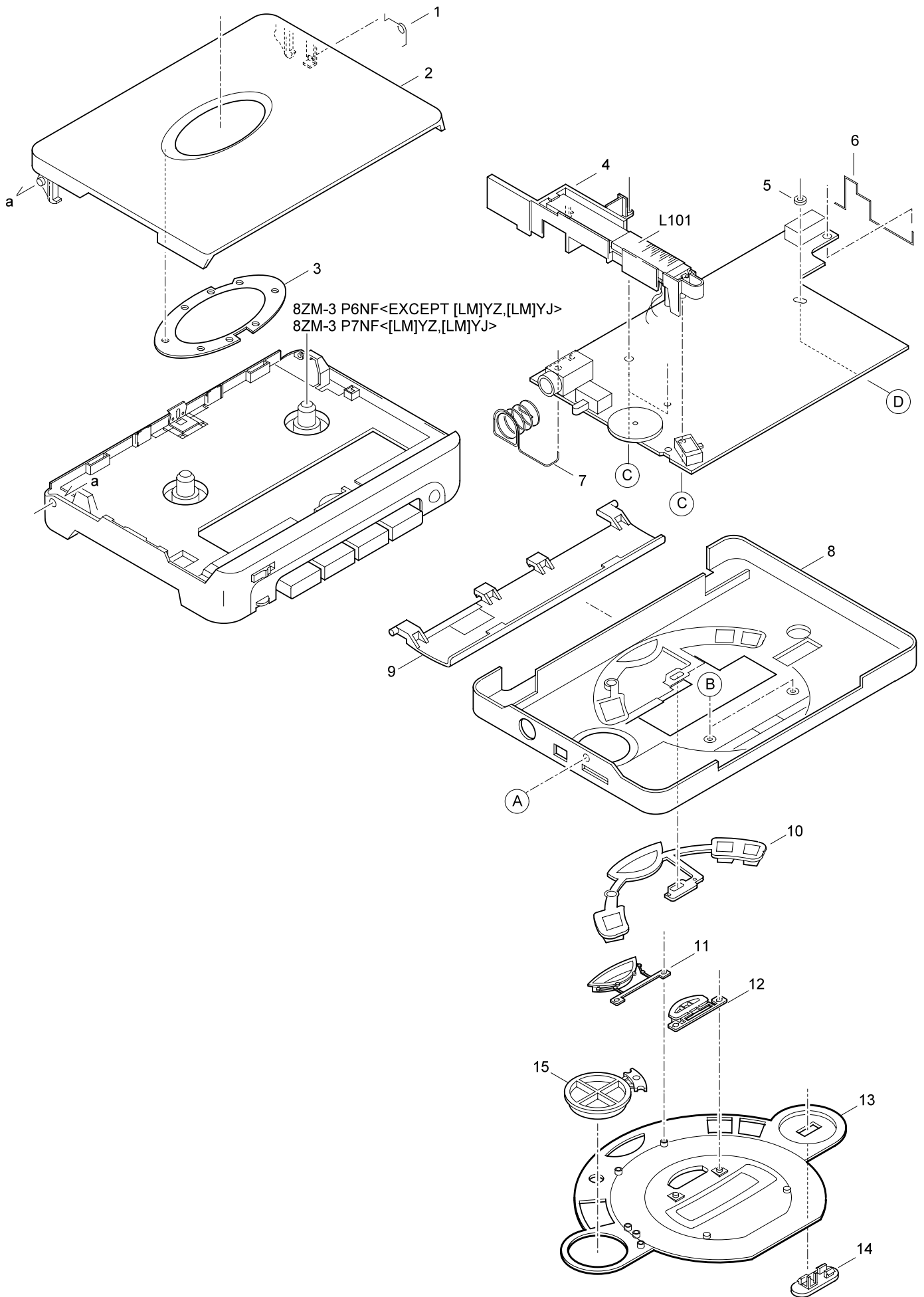
<RADIO SECTION>

1. AM IF Adjustment
L105 450kHz
2. AM Tracking Adjustment
L101 630kHz
VC101 1440kHz
3. FM VT Adjustment
Settings: • Test point TP1 (VT)
Adjustment location L103
Method: Set to FM 76MHz, and adjust L103 so that the test point becomes $1.0V \pm 0.1V$. Then set to FM108.1MHz and check that the test point is $9V +1V/-2V$.
4. FM Tracking Adjustment
L102 76MHz

<TAPE PLAYER SECTION>

5. Tape Speed Adjustment
Settings: • Test tape : TTA-100
• Test point : PHONES (J001)
• Adjustment location : SFR51
• Super Bass: OFF
• Tape select: NORM
• Volume: Non-clip (MAX-10dB down)
- Method: Play back the test tape and adjust SFR51 for $3000Hz \pm 10Hz$ (FWD) and $3000Hz \pm 20Hz$ (REV). Then confirm WOW is less than 0.50%.

MECHANICAL EXPLODED VIEW 1 / 1



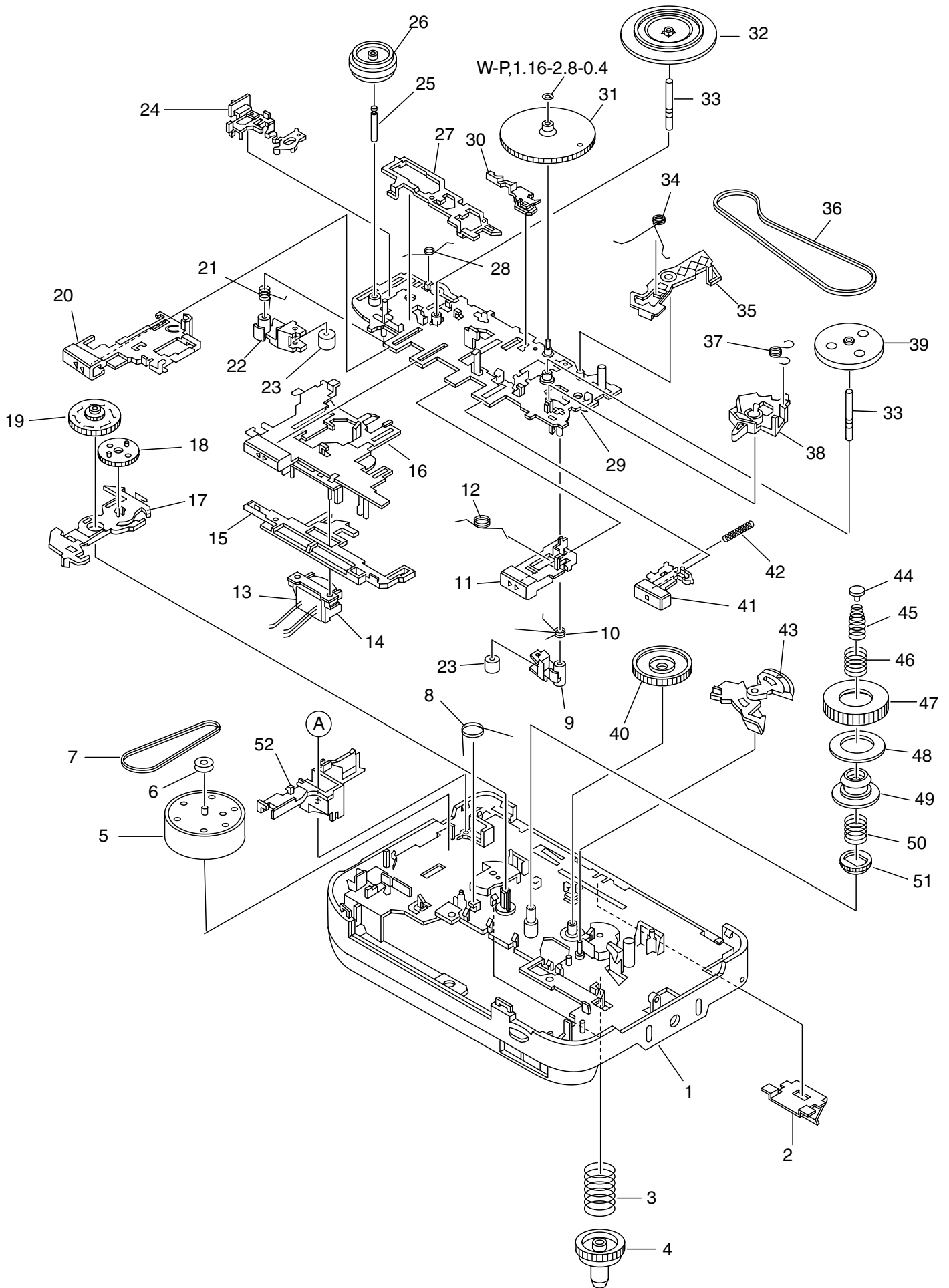
MECHANICAL PARTS LIST 1 / 1

REF.NO.	PARTNO.	KANRI NO.	DESCRIPTION
1	8A-HRH-209-010		SPR-T,CASS
2	8A-HRE-043-010		LID,CASS LM<[LM] YJ>
2	8A-HRE-044-010		LID,CASS YUS<[S] YU, [S] YL, [S] YH>
2	8A-HRE-041-010		LID,CASS YZ LM<[LM] YZ>
2	8A-HRE-040-010		LID,CASS YZ S<[S] 6YZ , [S] YZ>
3	8Z-HRB-002-010		WINDOW,CASS
4	8Z-HRB-201-110		HLDR,BAR-ANT
5	8Z-HRB-223-010		W,2-9-0.5 W/ADH
6	8Z-HRB-208-010		BAT-CONTACT,P
7	8Z-HRB-209-010		BAT-CONTACT,M
8	8A-HRE-001-010		CABI,FRONT<[S] YU, [S] YL>
8	8A-HRE-020-010		CABI,FRONT YH<[S] YH>
8	8A-HRE-024-010		CABI,FRONT YJ LM 506<[LM] YJ>
8	8A-HRE-023-010		CABI,FRONT YZ LM 506<[LM] YZ>
8	8A-HRE-022-010		CABI,FRONT YZ S 506<[S] YZ>
8	8A-HRE-021-010		CABI,FRONT YZ S 606<[S] 6YZ>
9	8Z-HRB-005-110		LID,BAT SIL<EXCEPT [LM] YZ, [LM] YJ>
9	8A-HRE-042-010		LID,BATT LM<[LM] YZ, [LM] YJ>
10	8A-HRE-005-010		BTN,PRESET
11	8A-HRE-004-010		CAP,PRESET
12	8A-HRB-007-010		CAP,SB
13	8A-HRE-002-010		WINDOW,LCD
14	8A-HRE-003-010		KNOB,SL HOLD
15	8A-HRB-005-010		CAP,FUNCTION
A	87-B10-048-010		VT2+1.4-3 (3) CR HL
B	87-067-384-010		SCREWVT1.4-3.5HL
C	87-B10-196-010		VT2+1.4-4 BLK (3) HL
D	87-264-527-310		V 1.7-3 SCREW

COLOR NAME TABLE

Basic color symbol	Color	Basic color symbol	Color	Basic color symbol	Color
B	Black	C	Cream	D	Orange
G	Green	H	Gray	L	Blue
LT	Transparent Blue	N	Gold	P	Pink
R	Red	S	Silver	ST	Titan Silver
T	Brown	V	Violet	W	White
WT	Transparent White	Y	Yellow	YT	Transparent Yellow
LM	Metallic Blue	LL	Light Blue	GT	Transparent Green
LD	Dark Blue	DT	Transparent Orange	GM	Metallic Green
YM	Metallic Yellow	DM	Metallic Orange		

TAPE MECHANISM EXPLODED VIEW 1 / 1
 <8ZM-3 P6NF, P7NF>



TAPE MECHANISM PARTS LIST 1 / 1
 <8ZM-3 P6NF, P7NF>

REF.NO.	PARTNO.	KANRI NO.	DESCRIPTION	REF.NO.	PARTNO.	KANRI NO.	DESCRIPTION
1	8A-HRE-010-010		FRAME,CENTER B<P6NF>	31	88-ZM3-221-110		GEAR,AUTO
1	8A-HRE-011-010		FRAME,CENTER L<P7NF>	32	88-ZM3-240-010		FLY-WHL,R S
2	8Z-HRB-207-110		SPR-P,CASS	33	88-ZM3-266-010		CAPSTAN, 1.5-NS
3	88-ZM3-253-110		SPR-C,BT L	34	88-ZM3-248-010		SPR-T,AUTO CHOOSE
4	88-ZM3-274-010		GEAR,REEL A	35	88-ZM3-215-110		LEVER,AUTO KICK
5	87-A91-379-010		MOT,BCY3B-13				
6	88-ZM3-236-010		PULLEY,MOT S	36	88-ZM3-262-010		BELT,L
7	88-ZM3-263-210		BELT,S	37	88-ZM3-244-010		SPR-T,DIR
8	88-ZM3-243-010		SPR-T,PLAY BACK	38	88-ZM3-219-010		BTN,DIR KNOB
9	88-ZM3-217-110		ARM,PINCH L	39	88-ZM3-239-010		FLY-WHL,L S
10	88-ZM3-241-110		SPR-T,PINCH L	40	88-ZM3-226-010		GEAR,IDLE
11	88-ZM3-003-110		LEVER,REW	41	88-ZM3-004-110		LEVER,STOP
12	88-ZM3-246-110		SPR-T,FF REW	42	88-ZM3-255-110		SPR-C,STOP
13	87-A80-115-010		F-CABLE,5P P2	43	88-ZM3-214-010		LEVER,AUTO FIND
14	87-A91-019-010		HEAD ASSY,PH 8ZM-3	44	88-ZM3-238-010		CAP,SLIP
15	88-ZM3-211-010		LEVER,DIR	45	88-ZM3-252-010		SPR-C,SHIFT
16	88-ZM3-001-110		LEVER,PLAY	46	88-ZM3-251-310		SPR-C,SLIP
17	88-ZM3-213-310		LEVER,T-UP	47	88-ZM3-222-110		GEAR,SLIP FAST
18	88-ZM3-225-110		GEAR,PLAY	48	88-ZM3-269-110		FELT,SLIP
19	88-ZM3-224-210		GEAR,TRANSMIT	49	88-ZM3-237-110		CLR,SLIP
20	88-ZM3-002-110		LEVER,FF	50	88-ZM3-247-010		SPR-T,AUTO FIND
21	88-ZM3-242-210		SPR-T,PINCH R	51	88-ZM3-223-010		GEAR,SLIP SLOW
22	88-ZM3-218-010		ARM,PINCH R	52	8Z-HRB-202-110		HLDR,DC JACK
23	88-ZM3-271-010		ROLLER ASSY,PINCH	A	87-B10-196-010		VT2+1.4-4 BLK (3) HL
24	88-ZM3-220-010		BTN,MODE SEL				
25	88-ZM3-267-010		SHAFT,PULLEY TWIN				
26	88-ZM3-234-010		PULLEY,BELT TWIN				
27	88-ZM3-212-010		LEVER,LOCK				
28	88-ZM3-245-110		SPR-T,LOCK				
29	88-ZM3-201-210		CHAS ASSY,OUTSERT P				
30	88-ZM3-216-010		LEVER,SW				

アイワ株式会社 〒110-8710 東京都台東区池之端1-2-11 ☎03(3827)3111 (代表)
AIWA CO.,LTD. 2-11, IKENOHATA 1-CHOME, TAITO-KU, TOKYO 110, JAPAN TEL:03 (3827) 3111