

SERVICE MANUAL

COMPACT DISC STEREO
CASSETTE RECEIVER

BASIC TAPE MECHANISM : 2ZM-3MK2 PR4NM
BASIC CD MECHANISM : 6ZG-1 VZRNDM

SYSTEM	CD CASSEIVER	SPEAKERS	REMOTE CONTROL
NSX-WVT99	CX-NWVT99	SX-WWVT79 SX-R2700 SX-C2700	RC-ZAS08

- This Service Manual is the "Revision Publishing" and replaces "Simple Manual" NSX-WVT99, (S/M Code No. 09-004-430-7T1).
- If requiring information about the CD mechanisim, see Service Manual of 6ZG-1, (S/M Code No. 09-001-338-7N4)

SPECIFICATIONS

<FM Tuner section>

Tuning range	87.5 MHz to 108 MHz
Usable sensitivity(IHF)	13.2 dBf
Antenna terminals	75 ohms (unbalanced)

<MW Tuner section>

Tuning range	531 kHz to 1602 kHz (9 kHz step) 530 kHz to 1710 kHz (10 kHz step)
Usable sensitivity	350 uV/m
Antenna	Loop antenna

<SW Tuner section>

Tuning range	5.73 MHz to 17.9 MHz
Antenna	Wire antenna

<Amplifier section>

Mid-high frequency amplifier **Front**

Power output*	Rated: 80 W + 80 W (8 ohms, THD 1 %,1 kHz) Reference: 100 W + 100 W (8 ohms, THD 10 %,1 kHz)
Total harmonic distortion	0.3 % (40 W, 1 kHz, 8 ohms, DIN AUDIO)

LOW FREQ+SUB WOOFER amplifier

Power output*	Rated: 200 W + 200 W (8 ohms, THD 1 %,75 Hz) Reference: 250 W + 250 W (6 ohms, THD 10 %,75 Hz)
Total harmonic distortion	0.3 % (100 W, 75 Hz, 6 ohms, DIN AUDIO)

Rear (Surround)

Rated: 80 W + 80 W (8 ohms, THD 1 %,1 kHz) Reference: 100 W + 100 W (8 ohms, THD 10 %,1 kHz)

Center

Rated: 80 W (8 ohms, THD 1 %, 1 kHz) Reference: 100 W (8 ohms, THD 10 %,1 kHz) VIDEO/AUX: 300 mV (adjustable) MD: 300 mV (adjustable) MIC 1, MIC 2:1.0mV (10 kohms) 5.1CH INPUT:

FRONT (L,R): 240 mV SURROUND (L,R): 240 mV CENTER: 600 mV SUB WOOFER: 240 mV

Inputs

Outputs

LINE OUT: 150 mV VIDEO OUT: 1.0V p-p (75 ohms) SPEAKERS HIGH FREQ: accept speakers of 8 ohms or more SPEAKERS (LOW FREQ +SUB WOOFER): accept speakers of 6 ohms or more SURROUND SPEAKERS: accept speakers of 8 ohms to 16 ohms CENTER SPEAKER: accept speakers of 8 ohms or more PHONES (stereo jack) : accepts headphones of 32 ohms or more

<Cassette deck section>

Track format	4 tracks, 2 channels stereo
Frequency response	CrO2 tape: 50 Hz – 16000 Hz Normal tape: 50 Hz – 15000 Hz 60dB (Dolby B NR ON, CrO2 tape peak level)
Signal to noise ratio	
Recording system	AC bias
Heads	Deck 1: Playback head x 1 Deck 2: Recording/Playback head x 1, erase head x 1

<Compact disc player section>

Laser	Semiconductor laser ($\lambda = 780 \text{ nm}$)
D-A converter	1 bit dual
Signal-to-noise ratio	83 dB (1 kHz, 0 dB)
Harmonic distortion	0.05 % (1 kHz, 0 dB)
Wow and flutter	Crystal accuracy
Video signal	NTSC/PAL color format (selectable)
Video data	MPEG 1
Audio data	MPEG 1, LAYER 2

<Speaker system SX-WWVT79>

Cabinet type	4 way, built-in subwoofer (magnetic shielded type)
Speakers	Subwoofer : 200 mm (7 ⁷ / ₈ in.) cone type Woofer : 120 mm (4 ³ / ₄ in.) cone type Tweeter : 60 mm (2 ³ / ₈ in.) cone type Super Tweeter : 20 mm (1 ³ / ₁₆ in.) ceramic type
Impedance	6 ohms / 8 ohms
Output sound pressure level	87 dB/W/m
Dimensions (W x H x D)	260 x 383 x 326 mm (10 ¹ / ₄ x 15 ¹ / ₈ x 12 ⁷ / ₈ in.)
Weight	7.5 kg (16 lbs 9 oz)

<Speaker system SX-R2700>

Speakers	Full range: 100 mm x 2, cone type 8 ohms
Impedance	8 ohms
Dimensions (W x H x D)	120 x 230 x 110 mm (4 ³ / ₄ x 9 ¹ / ₈ x 4 in.)
Weight	1.2 kg (2 lbs 10 oz)

<Speaker system SX-C2700>


Speakers	Full range:(Magnetic Shielded Type) 100 mm x 2, cone type 8 ohms
Impedance	8 ohms
Dimensions (W x H x D)	360 x 120 x 110 mm (14 ¹ / ₄ x 4 ³ / ₄ x 4 in.)
Weight	1.9 kg (4 lbs 3 oz)

<General>

Power requirements	120V/220-230 V/240 V AC switchable, 50/60 Hz
Power consumption	390W
Dimensions of main unit (W x H x D)	300 x 383.5 x 380 mm (11 ⁷ / ₈ x 15 ¹ / ₈ x 15 in.)
Weight of main unit	18 kg (39.6 lbs)

Standby power consumption

If the power-economizing mode is OFF: 47 W
If the power-economizing mode is ON: 0.9 W

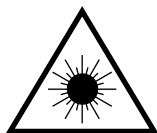
- Design and specifications are subject to change without notice.
- Dolby noise reduction manufactured under license from Dolby Laboratories Licensing Corporation. "DOLBY" and the double-D symbol  are trademarks of Dolby Laboratories Licensing Corporation.
- The word "BBE"and the "BBE symbol" are trademarks of BBE Sound, Inc. Under license from BBE Sound,Inc.

PROTECTION OF EYES FROM LASER BEAM DURING SERVICING

This set employs laser. Therefore, be sure to follow carefully the instructions below when servicing.

WARNING!!

WHEN SERVICING, DO NOT APPROACH THE LASER EXIT WITH THE EYE TOO CLOSELY. IN CASE IT IS NECESSARY TO CONFIRM LASER BEAM EMISSION. BE SURE TO OBSERVE FROM A DISTANCE OF MORE THAN 30cm FROM THE SURFACE OF THE OBJECTIVE LENS ON THE OPTICAL PICK-UP BLOCK.



- Caution: Invisible laser radiation when open and interlocks defeated avoid exposure to beam.
- Advarsel: Usynlig laserstråling ved åbning, når sikkerhedsafbrydere er ude af funktion. Undgå udsættelse for stråling.

VAROITUS!

Laitteen Käyttäminen muulla kuin tässä käyttöohjeessa mainitulla tavalla saattaa altistaa käyttäjän turvallisuusluokan 1 ylittävälle näkymättömälle lasersäteilylle.

WARNING!

Om apparaten används på annat sätt än vad som specificeras i denna bruksanvisning, kan användaren utsättas för osynlig laserstrålning, som överskrider gränsen för laserklass 1.

CAUTION

Use of controls or adjustments or performance of procedures other than those specified herein may result in hazardous radiation exposure.

ATTENTION

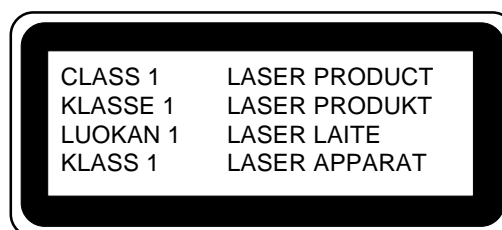
L'utilisation de commandes, réglages ou procédures autres que ceux spécifiés peut entraîner une dangereuse exposition aux radiations.

ADVARSEL

Usynlig laserstråling ved åbning, når sikkerhedsafbrydere er ude af funktion. Undgå udsættelse for stråling.

This Compact Disc player is classified as a CLASS 1 LASER product.

The CLASS 1 LASER PRODUCT label is located on the rear exterior.



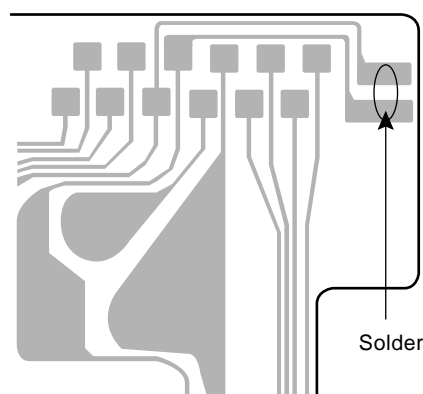
Precaution to replace Optical block

(KSS-213F)

Body or clothes electrostatic potential could ruin laser diode in the optical block. Be sure ground body and workbench, and use care the clothes do not touch the diode.

- 1) After the connection, remove solder shown in right figure.

PICK-UP Assy P.C.B



NOTE ON BEFORE STARTING REPAIR

1. Forced discharge of electrolytic capacitor of power supply block

When repair is going to be attempted in the set that uses relay circuit in the power supply block, electric potential is kept charged across the electrolytic capacitors (C101, 102) even though AC power cord is removed. If repair is attempted in this condition, secondary defect can occur.

In order to prevent the secondary trouble, perform the following measures before starting repair work.

Discharge procedure

- ① Remove the AC power cord.
- ② Connect a discharging resistor at an end of lead wire that has clips at both ends. Connect the other end of the lead wire to metal chassis.
- ③ Contact the other end of the discharging resistor to the positive (+) side (+VH) of C101. (For two seconds)
- ④ Contact the same end of the discharging resistor as step ③ to the negative (-) side (-VH) of C102 in the same way. (For two seconds)
- ⑤ Check that voltage across C101 and C102 has decreased to 1 V or less using a multimeter or an oscilloscope.

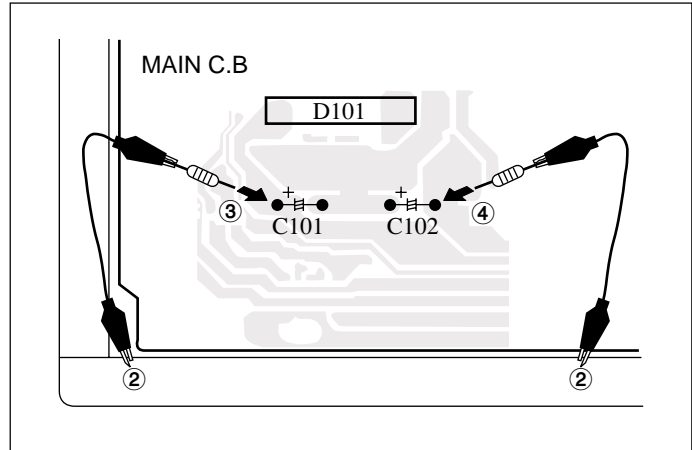


Fig-1

Select a discharging resistor referring to the following table.

Charging voltage (V) (C101, 102)	Discharging resistor (Ω)	Rated power (W)	Parts number
25-48	100	3	87-A00-247-090
49-140	220	5	87-A00-232-090

Note: The reference numbers (C101, C102) of the electrolytic capacitors can change depending on the models. Be sure to check the reference numbers of the charging capacitors on schematic diagram before starting the discharging work.

2. Check items before exchanging the MICROCOMPUTER

Be sure to check the following items before exchanging the MICROCOMPUTER. Exchange the MICROCOMPUTER after confirming that the MICROCOMPUTER is surely defective.

2-1. Regarding the HOLD terminal of the MICROCOMPUTER

When the HOLD terminal (INPUT) of the MICROCOMPUTER is "H", the MICROCOMPUTER is judged to be operating correctly. When this terminal is "L", the main power cannot be turned on. Therefore, be sure to check the terminal voltage of the HOLD terminal before exchange.

When the MICROCOMPUTER is not defective, the HOLD terminal can also go "L" when the POWER AMPLIFIER has any abnormalities that triggers the abnormality detection circuit on the MAIN C. B. that sets the HOLD terminal to "L".

- Good or no good judgement of the MICROCOMPUTER

- ① Turn on the AC main power.
- ② Confirm that the main power is turned on and the HOLD terminal of the MICROCOMPUTER keeps the "H" level or not.
- ③ When the HOLD terminal is "L" level, the abnormality detection circuit is judged to be working correctly and the MICROCOMPUTER is judged to be good.

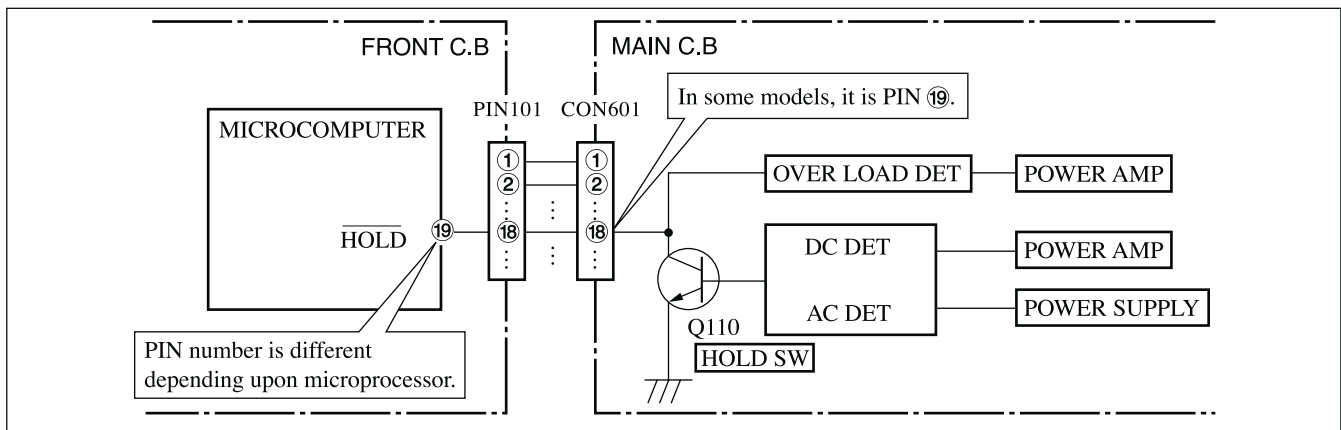


Fig-2-1

In such a case, check also if the POWER AMPLIFIER circuit or power supply circuit has any abnormalities or not.

2-2. Regarding reset

There are cases that the machine does not work correctly because the MICROCOMPUTER is not reset even though the AC power cord is re-inserted, or the software reset (pressing the STOP key + POWER key) is performed.

When the above described phenomenon occurs, it can lead to wrong judgement as if the MICROCOMPUTER is defective and to exchange the MICROCOMPUTER. In such a case, perform the forced-reset by the following procedure and check good or no good of the MICROCOMPUTER.

- ① Remove the AC power cord.

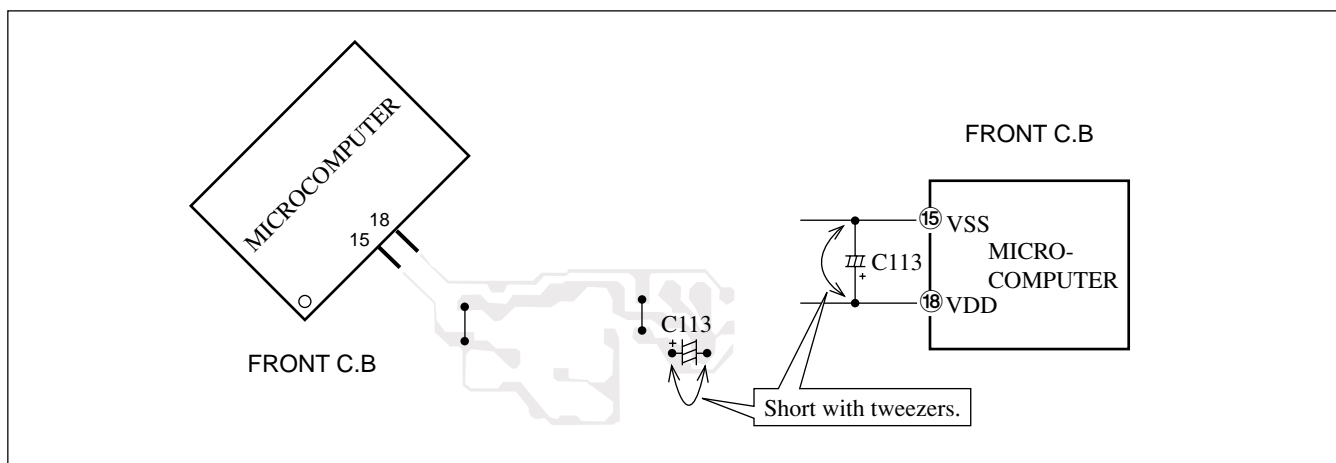


Fig-2-2

- ② Short both ends of the electrolytic capacitor C113 that is connected to VDD of the MICROCOMPUTER with tweezers.
- ③ Connect the AC power cord again. If the MICROCOMPUTER returns to the normal operation, the MICROCOMPUTER is good.

Note: The reference number or MICROCOMPUTER pin number of transistor (Q110) and electrolytic capacitor (C113) can change depending on the models. Be sure to check the reference numbers on schematic diagram before starting the discharging work.

2-3. Confirmation of soldering state of MICROCOMPUTER

Check the soldering state of the MICROCOMPUTER in addition to the above described procedures. Be sure to exchange the MICROCOMPUTER after surely confirming that the trouble is not caused by poor soldering but the MICROCOMPUTER itself.

ELECTRICAL MAIN PARTS LIST

REF. NO.	PART NO.	KANRI NO.	DESCRIPTION	REF. NO.	PART NO.	KANRI NO.	DESCRIPTION
IC							
	8A-NH3-635-010		C-IC,LC876572V-5R46	87-A40-768-080			ZENER,UZ16BSA
	87-A21-482-010		IC,RPM6938-H4	87-017-154-080			ZENER,HZS6C3L
	87-A20-869-040		C-IC,M62449FP	87-A40-749-080			ZENER,UZ5.6BSB
	87-A21-355-010		IC,STK490-140	87-A40-488-080			DIODE,1SS244
	87-A20-355-010		IC,CXA1553P	87-020-331-080			CHIP-DIODE,DAN202K
	87-A20-561-040		C-IC,M65847AFP	87-A40-313-080			C-DIODE,MC2840
	87-A20-783-040		C-IC,BA7762AFS	87-A40-270-080			C-DIODE,MC2838
	87-A21-577-040		C-IC,M61506FP	87-A40-751-080			ZENER,UZ6.2BSB
	87-070-289-040		IC,BU 2092F	87-A40-392-010			DIODE,1N5818
	87-A21-021-040		C-IC,BU2099FV	87-A40-269-080			C-DIODE,MC2836
	87-A21-015-040		C-IC,M62491FP	87-A40-747-080			ZENER,UZ5.1BSB
	87-A21-452-030		C-IC,BD3876KS2	87-A40-646-010			DIODE,FMB-G16L
	87-A21-560-010		IC,LA1844L-A	87-A40-224-010			DIODE,GBU8DL
	87-070-127-110		IC,LC72131 D	87-A40-784-080			ZENER,UZ398BSB
	87-020-454-010		IC,DN 6851	87-A40-760-080			ZENER,UZ9.1BSA
	87-A21-051-040		C-IC,BU9990-03FS	87-A40-764-080			ZENER,UZ10BSC
	87-A21-097-040		C-IC,M62463AFP	87-017-149-080			ZENER,HZS6A2L
				87-A40-393-090			DIODE,1N5402GW(F20)
TRANSISTOR				MAIN C.B			
	87-026-245-080		TR,DTC114ES	C3	87-012-368-080		C-CAP,S 0.1-50 ZF
	87-A30-217-010		TR,2SB1436(R)	C4	87-012-368-080		C-CAP,S 0.1-50 ZF
	87-A30-198-080		TR,KTC3199GR	C21	87-016-658-090		CAP,E 4700-35 M
	89-213-702-010		TR,2SB1370E	C22	87-016-658-090		CAP,E 4700-35 M
	87-A30-218-080		TR,2SB1237(Q)	C25	87-016-300-080		CAP,E 22-100 SME
	87-A30-087-080		C-FET,2SK2158	C26	87-016-300-080		CAP,E 22-100 SME
	87-A30-086-040		C-TR,CSD1306E	C27	87-016-300-080		CAP,E 22-100 SME
	87-A30-076-080		C-TR,2SC3052F	C28	87-016-300-080		CAP,E 22-100 SME
	87-A30-107-070		C-TR,CMBT5401	C31	87-010-263-080		CAP, ELECT 100-10V
	87-A30-074-080		C-TR,RT1P 141C	C32	87-010-197-080		CAP, CHIP 0.01 DM
	87-A30-190-080		TR,CC5551	C33	87-010-263-080		CAP,E 100-10 M
	87-A30-105-080		C-TR,RT1P441C	C34	87-010-247-080		CAP, ELECT 100-50V
	87-026-610-080		TR,KTC3198GR	C35	87-010-406-080		CAP, ELECT 22-50V
	87-A30-106-080		C-TR,CMBT5551	C36	87-010-381-080		CAP, ELECT 330-16V
	87-A30-276-040		C-TR,DTA143EKA	C38	87-010-393-080		CAP, ELECT 100-35V
	87-A30-063-080		C-TR,KRA104S	C39	87-010-393-080		CAP, ELECT 100-35V
	87-026-609-080		TR,KTA1266GR	C40	87-010-190-080		S CHIP F 0.01
	87-A30-186-010		FET,2SK3053	C60	87-010-403-080		CAP, ELECT 3.3-50V
	87-A30-075-080		C-TR,2SA1235F	C80	87-010-401-080		CAP, ELECT 1-50V
	87-A30-329-080		TR,CD1585BC	C81	87-010-374-080		CAP, ELECT 47-10V
	87-A30-522-010		TR,2SB1649	C82	87-010-260-080		CAP, ELECT 47-25V
	87-A30-318-080		TR,CSA952K	C104	87-010-196-080		CHIP CAPACITOR,0.1-25
	89-327-143-080		TR,2SC27140	C105	87-010-196-080		CHIP CAPACITOR,0.1-25
	87-A30-072-080		C-TR,RT1P 144C	C111	87-010-401-080		CAP, ELECT 1-50V
	87-A30-234-080		TR,CSC4115BC	C112	87-010-401-080		CAP, ELECT 1-50V
	87-A30-523-010		TR,2SD2562	C115	87-010-401-080		CAP, ELECT 1-50V
	89-503-602-080		C-FET,2SK360E	C116	87-010-401-080		CAP, ELECT 1-50V
	87-A30-269-040		C-FET,2SJ461-T1	C121	87-010-404-080		CAP, ELECT 4.7-50
	87-A30-097-010		TR,FN1016	C122	87-010-404-080		CAP, ELECT 4.7-50
	87-A30-098-010		TR,FP1016	C151	87-010-405-080		CAP, ELECT 10-50V
	87-A30-073-080		C-TR,RT1N141C	C160	87-012-140-080		C-CAP,S 470P-50J CH
	87-026-463-080		TR,2SA933S	C163	87-010-196-080		CHIP CAPACITOR,0.1-25
	87-A30-468-080		C-TR,KRC102S-RTK	C171	87-012-368-080		C-CAP,S 0.1-50 F
	87-A30-484-080		C-TR,KRA102S	C172	87-012-368-080		C-CAP,S 0.1-50 F
	87-A30-489-080		C-TR,KRA107S	C173	87-012-368-080		C-CAP,S 0.1-50 F
	87-A30-107-070		C-TR,CMBT5401	C174	87-012-368-080		C-CAP,S 0.1-50 F
				C175	87-A11-572-080		C-CAP,S 0.015-50 K B
				C176	87-A11-572-080		C-CAP,S 0.015-50 K B
				C177	87-010-197-080		CAP, CHIP 0.01 DM
				C178	87-010-197-080		CAP, CHIP 0.01 DM
DIODE							
	87-A40-673-090		DIODE,D10XB20	C301	87-010-318-080		C-CAP,S 47P-50 CH
	87-020-465-080		DIODE,1SS133	C302	87-010-318-080		C-CAP,S 47P-50 CH
	87-A40-438-080		ZENER,MTZJ4.7A	C303	87-012-157-080		C-CAP,S 330P-50 CH
	87-017-654-060		DIODE,GBU6JL6131	C304	87-012-157-080		C-CAP,S 330P-50 CH
	87-A40-736-080		DIODE,1N4148M(SEM)	C305	87-012-157-080		C-CAP,S 330P-50 CH
	87-A40-393-090		DIODE,1N5402GW (F20)	C306	87-012-157-080		C-CAP,S 330P-50 CH
	87-A40-553-080		DIODE,1N4003 LES	C307	87-010-196-080		CHIP CAPACITOR,0.1-25
	87-A40-781-080		ZENER,UZ36BSA	C311	87-010-198-080		CAP, CHIP 0.022
	87-070-274-080		DIODE,1N4003 SEM	C312	87-010-198-080		CAP, CHIP 0.022

REF. NO.	PART NO.	KANRI NO.	DESCRIPTION	REF. NO.	PART NO.	KANRI NO.	DESCRIPTION
C313	87-010-180-080		C-CER 1500P	C430	87-A10-201-080		C-CAP,S 0.33-16 KB
C314	87-010-180-080		C-CER 1500P	C431	87-010-971-080		C-CAP,S 4700P-50 JB
C315	87-010-178-080		CHIP CAP 1000P	C432	87-012-349-080		C-CAP,S 1000P-50 CH
C316	87-010-178-080		CHIP CAP 1000P	C433	87-A11-183-080		C-CAP,S 0.12-16 JB
C317	87-A10-201-080		C-CAP,S 0.33-16 KB	C434	87-A11-182-080		C-CAP,S 0.27-16 JB
C318	87-A10-201-080		C-CAP,S 0.33-16 KB	C435	87-A11-182-080		C-CAP,S 0.27-16 JB
C319	87-012-141-080		CHIP-CAPACITOR,0.22-16F	C436	87-A11-183-080		C-CAP,S 0.12-16 JB
C320	87-012-141-080		CHIP-CAPACITOR,0.22-16F	C437	87-010-971-080		C-CAP,S 4700P-50 JB
C321	87-012-141-080		CHIP-CAPACITOR,0.22-16F	C438	87-012-349-080		C-CAP,S 1000P-50 J CH GRM
C322	87-012-141-080		CHIP-CAPACITOR,0.22-16F	C439	87-010-805-080		C-CAP,S 1-16 ZF
C324	87-010-260-080		CAP, ELECT 47-25V	C440	87-010-401-080		CAP,E 1-50 M
C325	87-010-370-080		CAP,E 330-6.3 SME	C441	87-A10-799-080		C-CAP,S 5600P-16 JB
C327	87-010-404-080		CAP, ELECT 4.7-50V	C442	87-A10-802-080		C-CAP,S 0.047-16 JB
C328	87-010-404-080		CAP, ELECT 4.7-50V	C443	87-A10-229-080		C-CAP,S 0.68-10 K W5R
C332	87-010-196-080		CHIP CAPACITOR,0.1-25	C444	87-016-460-080		C-CAP,S 0.22-16 KB
C335	87-010-401-080		CAP, ELECT 1-50V	C445	87-016-460-080		C-CAP,S 0.22-16 KB
C336	87-010-401-080		CAP, ELECT 1-50V	C446	87-010-404-080		CAP,E 4.7-50 M
C337	87-010-196-080		CHIP CAPACITOR,0.1-25	C447	87-010-404-080		CAP,E 4.7-50 M
C339	87-010-196-080		CHIP CAPACITOR,0.1-25	C448	87-016-460-080		CAP,E 0.22-16 KB
C340	87-010-196-080		CHIP CAPACITOR,0.1-25	C449	87-016-460-080		CAP,E 0.22-16 KB
C351	87-012-140-080		CAP 470P	C450	87-016-081-080		C-CAP,S 0.1-16 KR GRM
C352	87-012-140-080		CAP 470P	C451	87-A10-802-080		C-CAP,S 0.047-16 JB CM
C354	87-010-175-080		CAP 560P	C452	87-A10-802-080		C-CAP,S 0.047-16 JB CM
C355	87-012-349-080		C-CAP,S 1000P-50 CH	C453	87-016-081-080		C-CAP,S 0.1-16 KR GRM
C356	87-010-260-080		CAP, ELECT 47-25V	C454	87-016-081-080		C-CAP,S 0.1-16 KR GRM
C357	87-010-197-080		CAP, CHIP 0.01 DM	C455	87-A10-801-080		C-CAP,S 0.022-16 JB CM
C358	87-010-183-080		C-CAP,S 2700P-50 B	C456	87-A10-801-080		C-CAP,S 0.022-16 JB CM
C359	87-010-183-080		C-CAP,S 2700P-50 B	C457	87-016-081-080		C-CAP,S 0.1-16 KR GRM
C360	87-010-183-080		C-CAP,S 2700P-50 B	C461	87-010-196-080		C-CAP,S 0.1-25 ZF C2012
C370	87-010-196-080		CHIP CAPACITOR,0.1-25	C463	87-010-196-080		C-CAP,S 0.1-25 ZF C2012
C371	87-010-175-080		CAP 560P	C467	87-A10-201-080		C-CAP,S 0.33-16 K B
C372	87-010-175-080		CAP 560P	C468	87-A10-060-080		C-CAP,S 0.18-16 K B
C373	87-010-179-080		CAP,CHIP S B1200P	C472	87-012-140-080		C-CAP,S 470P-50 J CH
C374	87-010-179-080		CAP,CHIP S B1200P	C473	87-012-140-080		C-CAP,S 470P-50 J CH
C375	87-010-545-080		CAP, ELECT 0.22-50V	C474	87-012-140-080		C-CAP,S 470P-50 J CH
C376	87-010-545-080		CAP, ELECT 0.22-50V	C475	87-012-140-080		C-CAP,S 470P-50 J CH
C378	87-010-196-080		CHIP CAPACITOR,0.1-25	C476	87-012-140-080		C-CAP,S 470P-50 J CH
C381	87-010-197-080		CAP, CHIP 0.01 DM	C477	87-012-140-080		C-CAP,S 470P-50 J CH
C382	87-010-318-080		C-CAP,S 47P-50 CH	C478	87-010-265-080		CAP,E 33-16 M
C383	87-010-197-080		CAP, CHIP 0.01 DM	C479	87-010-179-080		C-CAP,S 1200P-50 KB GRM
C384	87-010-402-080		CAP, ELECT 2.2-50V	C480	87-010-179-080		C-CAP,S 1200P-50 KB GRM
C385	87-010-184-080		CHIP CAPACITOR 3300P(K)	C481	87-010-179-080		C-CAP,S 1200P-50 KB GRM
C386	87-010-196-080		CHIP CAPACITOR,0.1-25	C482	87-010-179-080		C-CAP,S 1200P-50 KB GRM
C388	87-012-156-080		C-CAP,S 220P-50 CH	C483	87-010-265-080		CAP,E 33-16 M
C401	87-010-176-080		C-CAP,S 680P-50 J SL	C489	87-010-402-080		CAP,E 2.2-50 M
C402	87-010-176-080		C-CAP,S 680P-50 J SL	C491	87-010-402-080		CAP,E 2.2-50 M
C403	87-010-958-080		C-CAP,S 0.01-25 JB	C492	87-010-402-080		CAP,E 2.2-50 M
C404	87-010-958-080		C-CAP,S 0.01-25 JB	C531	87-010-560-080		CAP,E 10-50 GAS
C405	87-010-958-080		C-CAP,S 0.01-25 JB	C532	87-010-196-080		CHIP CAPACITOR,0.1-25
C406	87-010-958-080		C-CAP,S 0.01-25 JB	C533	87-010-196-080		CHIP CAPACITOR,0.1-25
C407	87-010-401-080		CAP,E 1-50 M	C534	87-012-156-080		C-CAP,S 220P-50 CH
C408	87-010-401-080		CAP,E 1-50 M	C535	87-010-178-080		CHIP CAP 1000P
C409	87-010-196-080		C-CAP,S 0.1-25 ZF	C536	87-010-196-080		CHIP CAPACITOR,0.1-25
C410	87-010-384-080		CAP,E 100-25 M	C541	87-010-178-080		CHIP CAP 1000P
C411	87-010-401-080		CAP,E 1-50 M 11L SME	C600	87-018-123-080		CAP,TC U 220P-50 KB
C412	87-010-401-080		CAP,E 1-50 M 11L SME	C603	87-010-318-080		C-CAP,S 47P-50 CH
C413	87-010-401-080		CAP,E 1-50 M 11L SME	C604	87-010-318-080		C-CAP,S 47P-50 CH
C414	87-010-494-080		CAP,E 1-50 M 5L SRE	C605	87-010-318-080		C-CAP,S 47P-50 CH
C415	87-010-492-080		CAP,E 0.33-50 M 5L	C606	87-010-318-080		C-CAP,S 47P-50 CH
C416	87-010-492-080		CAP,E 0.33-50 M 5L	C611	87-010-956-080		CHIP-CAP,S 0.068-25B
C417	87-010-221-080		CAP,E 470-10 M SME	C612	87-010-369-080		C-CAP,S 0.033-25 KB
C418	87-A10-891-080		CAP,E 4.7-25 SME (K)	C613	87-010-197-080		CAP, CHIP 0.01 DM
C419	87-A10-800-080		C-CAP,S 6800P-16 JB CM	C614	87-016-669-080		C-CAP,S 0.1-25 KB
C420	87-010-374-080		CAP,E 47-10 SME	C616	87-010-180-080		C-CER 1500P
C421	87-010-196-080		C-CAP,S 0.1-25 ZF	C617	87-010-198-080		CAP, CHIP 0.022
C422	87-A10-804-080		C-CAP,S 0.1-25 JB	C618	87-010-401-080		CAP, ELECT 1-50V
C424	87-010-374-080		CAP,E 47-10 SME	C619	87-010-263-080		CAP, ELECT 100-10V
C425	87-010-196-080		C-CAP,S 0.1-25 ZF	C620	87-016-669-080		C-CAP,S 0.1-25 KB
C428	87-012-156-080		C-CAP,S 220P-50 J CH	C621	87-010-197-080		CAP, CHIP 0.01 DM
C429	87-010-545-080		CAP,E 0.22-50 M	C623	87-010-401-080		CAP, ELECT 1-50V

REF. NO.	PART NO.	KANRI NO.	DESCRIPTION	REF. NO.	PART NO.	KANRI NO.	DESCRIPTION
C624	87-010-401-080		CAP, ELECT 1-50V	C946	87-010-971-080		C-CAP,S 4700P-50 JB
C626	87-010-992-080		C-CAP,S 0.047-25 B	C947	87-010-197-080		C-CAP,S P-5C942
C627	87-010-400-080		CAP, ELECT 0.47-50V	C948	87-010-148-080		C-CAP,S 4P-50 C CH
C628	87-010-400-080		CAP, ELECT 0.47-50V	C952	87-010-197-080		C-CAP,S 0.01-25 KB
C629	87-010-992-080		C-CAP,S 0.047-25 B	C953	87-010-197-080		C-CAP,S 0.01-25 KB
C630	87-010-383-080		CAP, ELECT 33-25V	C954	87-010-400-080		CAP,E 0.47-50M
C631	87-010-185-080		C-CAP,S 3900P-50 B	C956	87-010-263-080		CAP,E 100-10 M
C632	87-010-185-080		C-CAP,S 3900P-50 B	C959	87-010-196-080		CHIP CAPACITOR,0.1-25
C634	87-010-196-080		CHIP CAPACITOR,0.1-25	C962	87-010-401-080		CAP,E 1-50 SME
C635	87-A10-307-080		CAP,M 0.1-50 J	C963	87-015-785-080		CHIP CAPACITOR, 0.1FZ-25Z
C636	87-A10-307-080		CAP,M 0.1-50 J	C964	87-010-854-080		C-CAP,S 560P-50
C637	87-A10-307-080		CAP,M 0.1-50 J	C971	87-010-381-080		CAP, ELECT 330-16V
C638	87-A10-307-080		CAP,M 0.1-50 J	C972	87-010-404-080		CAP, ELECT 4.7-50V
C639	87-010-405-080		CAP, ELECT 10-50V	C973	87-010-197-080		CAP, CHIP 0.01 DM
C641	87-010-401-080		CAP, ELECT 1-50V	C974	87-010-197-080		CAP, CHIP 0.01 DM
C642	87-010-401-080		CAP, ELECT 1-50V	C979	87-010-322-080		C-CAP,S 100P-50 CH
C643	87-010-196-080		CHIP CAPACITOR,0.1-25	C981	87-010-260-080		CAP, ELECT 47-25V
C644	87-010-401-080		CAP, ELECT 1-50V	C982	87-010-196-080		CHIP CAPACITOR,0.1-25
C671	87-010-322-080		C-CAP,S 100P-50 CH	C983	87-010-197-080		CAP, CHIP 0.01 DM
C672	87-010-322-080		C-CAP,S 100P-50 CH	C984	87-010-197-080		CAP, CHIP 0.01 DM
C673	87-010-197-080		CAP, CHIP 0.01 DM	C987	87-010-197-080		CAP, CHIP 0.01 DM
C675	87-010-196-080		CHIP CAPACITOR,0.1-25	C989	87-010-197-080		C-CAP,S 0.01-25 KB
C679	87-010-196-080		CHIP CAPACITOR,0.1-25	C991	87-010-312-080		C-CAP,S 15P-50 CH
C680	87-010-197-080		CAP, CHIP 0.01 DM	C992	87-010-312-080		C-CAP,S 15P-50 CH
C771	87-010-263-080		CAP, ELECT 100-10V	C993	87-010-178-080		CHIP CAP 1000P
C772	87-010-197-080		CAP, CHIP 0.01 DM	C995	87-010-178-080		CHIP CAP 1000P
C773	87-010-184-080		CHIP CAPACITOR 3300P(K)	C997	87-010-196-080		CHIP CAPACITOR,0.1-25
C774	87-010-184-080		CHIP CAPACITOR 3300P(K)	C998	87-010-260-080		CAP, ELECT 47-25V
C782	87-010-197-080		CAP, CHIP 0.01 DM	C999	87-A11-155-080		CAP,TC U 0.01-16 ZF
C783	87-010-197-080		CAP, CHIP 0.01 DM	CF831	87-008-261-010		FLTR, CF SFE10.7MA5
C784	87-010-197-080		CAP, CHIP 0.01 DM	CF832	87-008-261-010		CF,SFE10.7MA5
C785	87-010-197-080		CAP, CHIP 0.01 DM	CN1	87-A60-996-010		CONN,13P V BLK TAC-L13X-A3
C786	87-010-197-080		CAP, CHIP 0.01 DM	CN91	8A-NHP-640-010		CONN ASSY,2P(FAN) ANHP-500
C788	87-010-149-080		C-CAP,S 5P-50 CH	CN92	87-A60-619-010		CONN,2P V 2MM JMT
C789	87-012-365-080		C-CAP,S 0.027-25VBK	CN101	87-A60-996-010		CONN,13P V BLK TAC-L13X-A3
C790	87-012-365-080		C-CAP,S 0.027-25VBK	CN301	87-A60-620-010		CONN,3P V 2MM JMT
C791	87-010-196-080		CHIP CAPACITOR,0.1-25	CN351	87-A60-625-010		CONN,8P V 2MM JMT
C792	87-010-197-080		CAP, CHIP 0.01 DM	CN601	87-099-719-010		CONN,30P TYK-B(X)
C793	87-010-404-080		CAP, ELECT 4.7-50V	CN602	87-A60-131-010		CONN,6P V FE
C795	87-010-197-080		CAP, CHIP 0.01 DM	CN605	87-099-568-010		CONN,11P TUC-P11P-B1
C796	87-010-197-080		CAP, CHIP 0.01 DM	CN606	87-099-566-010		CONN,7P TUC-P7P-B1
C797	87-010-405-080		CAP, ELECT 10-50V	CNA1	8A-NF8-653-010		CONN ASSY,9P TID-A(480)
C798	87-010-197-080		CAP, CHIP 0.01 DM	CNA2	8A-NF3-640-110		CONN ASSY,3P (YM) ANF-3
C799	87-010-407-080		CAP, ELECT 33-50V	D951	87-A40-618-080		VARI-CAP,SCV 348 (S/T)
C800	87-012-369-080		C-CAP,S 0.047-50F	FB301	87-008-372-080		FILTER, EMI BLOIRNI
C801	87-010-403-080		CAP, ELECT 3.3-50V	FFC302	88-906-481-110		FF-CABLE,6P 1.25 480MM
C802	87-012-369-080		C-CAP,S 0.047-50F	FFE831	A8-8ZA-190-030		8ZA-1 FEUNM
C803	87-010-198-080		CAP, CHIP 0.022	J102	87-A60-238-010		TERMINAL,SP 4P (MSC)
C804	87-010-263-080		CAP, ELECT 100-10V	J103	87-A60-483-010		JACK,DIA6.3 BLK ST W/S KM
C807	87-010-400-080		CAP, ELECT 0.47-50V	J431	87-A61-069-010		JACK,PIN 6P R/W, R/W, O/B MSC
C808	87-010-401-080		CAP, ELECT 1-50V	J601	87-A60-885-010		JACK,PIN 6P R/W MSC
C809	87-010-401-080		CAP, ELECT 1-50V	J831	87-A60-202-010		TERMINAL,ANT 4P MSP-154V-02
C810	87-010-196-080		CHIP CAPACITOR,0.1-25	J940	87-A60-633-010		CONN, 2P H 2.5MM JMT
C811	87-010-403-080		CAP, ELECT 3.3-50V	JW991	87-003-216-080		F-BEAD,-3.6-5 BL01RNF-A62T5
C812	87-010-403-080		CAP, ELECT 3.3-50V	L101	87-A50-610-010		COIL,1UH K(MDEC)
C814	87-010-197-080		CAP, CHIP 0.01 DM	L102	87-A50-610-010		COIL,1UH K(MDEC)
C815	87-010-400-080		CAP, ELECT 0.47-50V	L301	87-A50-049-010		COIL,TRAP 85K(COI)
C816	87-010-400-080		CAP, ELECT 0.47-50V	L302	87-A50-049-010		COIL,TRAP 85K(COI)
C819	87-010-179-080		CAP,CHIP S B1200P	L351	87-007-342-010		COIL,OSC 85K BIAS
C820	87-010-179-080		CAP,CHIP S B1200P	L801	87-A50-608-010		COIL,FM DET-N(TOK)
C821	87-010-405-080		CAP, ELECT 10-50V	L802	87-A91-551-010		FLTR,PCFJZH-450 L(TOK)
C823	87-010-177-080		C-CAP,S 820P-50 J SL	L811	87-005-847-080		COIL,2.2UH(CECS)
C824	87-010-404-080		CAP, ELECT 4.7-50V	L821	87-A50-209-010		COIL,1POLE MPX(MIT)
C825	87-010-596-080		CAP,S 0.047-16	L822	87-A50-209-010		COIL,1POLE MPX(MIT)
C849	87-010-196-080		C-CAP,S 0.1-25 ZF	L832	87-005-847-080		COIL,2.2UH(CECS)
C870	87-018-131-080		CAP,TC U 1000P-50 KB	L941	87-A50-022-010		COIL,ANT SW (COI) 7.96MHZ
C940	87-010-197-080		C-CAP,S 0.01-25 KB	L942	87-A50-550-010		COIL,OSC SW-2N (COI)
C941	87-010-314-080		C-CAP,S 22P-50 CH	L943	87-A50-522-080		COIL,1MH K CEC
C943	87-010-197-080		C-CAP,S 0.01-25 KB	L944	87-A50-159-010		COIL,10MH K C2B
C945	87-010-197-080		C-CAP,S 0.01-25 KB	L952	87-A50-430-010		COIL,ANT MW (3BSW)

REF. NO.	PART NO.	KANRI NO.	DESCRIPTION	REF. NO.	PART NO.	KANRI NO.	DESCRIPTION
L953	87-A50-431-010		COIL,OSC MW (3BSW)	C807	87-010-197-080		C-CAP,S 0.01-25 KB
R25	87-A00-261-080		RES,M/F 0.56-1WJ	C809	87-012-155-080		C-CAP,S 180P-50 J CH
R117	87-012-142-080		C-CAP,S 0.33-16 ZF	C810	87-010-264-040		CAP,E 100-10 M 5L SRE
R118	87-012-142-080		C-CAP,S 0.33-16 ZF	C811	87-010-244-040		CAP,E 22-16 M 5L SRE
R161	87-A00-441-050		RES,270-1/2W J RP	C812	87-016-044-040		CAP,E 100-16 M 5L MA
R162	87-A00-441-050		RES,270-1/2W J RP	C821	87-010-196-080		C-CAP,S 0.1-25 ZF
R163	87-A00-441-050		RES,270-1/2W J RP	C833	87-010-322-080		C-CAP,S 100P-50 J CH
R164	87-A00-441-050		RES,270-1/2W J RP	C901	87-012-157-080		C-CAP,S 330P-50 CH
R790	87-010-197-080		CAP, CHIP 0.01 DM	C902	87-010-176-080		C-CAP,S 680P-50 SL
R991	87-010-322-080		C-CAP,S 100P-50 CH	C903	87-010-176-080		C-CAP,S 680P-50 SL
R993	87-010-322-080		C-CAP,S 100P-50 CH	C904	87-010-176-080		C-CAP,S 680P-50 SL
R995	87-010-322-080		C-CAP,S 100P-50 CH	C905	87-010-176-080		C-CAP,S 680P-50 SL
SFR301	87-024-355-080		SFR,33K DIA6 H	C906	87-010-176-080		C-CAP,S 680P-50 SL
SFR302	87-024-355-080		SFR,33K DIA6 H	C907	87-010-176-080		C-CAP,S 680P-50 SL
SFR303	87-024-355-080		SFR,33K DIA6 H	C908	87-010-176-080		C-CAP,S 680P-50 SL
SFR304	87-024-355-080		SFR,33K DIA6 H	C909	87-010-176-080		C-CAP,S 680P-50 SL
SFR305	87-024-356-080		SFR,47K DIA6 H	C910	87-010-176-080		C-CAP,S 680P-50 SL
SFR306	87-024-356-080		SFR,47K DIA6 H	C911	87-010-176-080		C-CAP,S 680P-50 SL
SFR351	87-024-356-080		SFR,47K DIA6 H	C912	87-010-176-080		C-CAP,S 680P-50 SL
SFR352	87-024-356-080		SFR,47K DIA6 H	C913	87-010-176-080		C-CAP,S 680P-50 SL
TC941	87-011-254-080		TRIMMER,CER 20P 4.0X4.5 ECR	C914	87-012-145-080		CAP, CHIP S 270P CH
TC943	87-011-253-080		TRIMMER,CER 30P 4.0X4.5 ECRLA	CN101	87-099-720-010		CONN,30P TYK-B(P)
WH1	87-A90-510-010		HLDLDR,WIRE 2.5-9P	CN102	87-A60-055-010		CONN,13P V 9604S-13C
X991	87-A70-061-010		VIB,XTAL 4.500MHZ CSA-309	CN103	87-099-750-010		CONN,15P V 9604SC
				CN601	87-A60-062-010		CONN,05P V 9604S-05C
DISPLAY C.B				CN701	87-099-750-010		CONN,15P V 9604SC
C103	87-010-196-080		CHIP CAPACITOR,0.1-25	FFC102	88-914-481-110		FF-CABLE,14P 1.25 480MM
C104	87-010-313-080		CAP, CHIP 18P	FFC104	88-915-161-110		FF-CABLE,15P 1.25
C105	87-010-322-080		C-CAP,S 100P-50 CH	FFC601	88-905-081-110		FF-CABLE,5P 1.25
C106	87-012-145-080		CAP, CHIP S 270P CH	FFC701	88-915-161-110		FF-CABLE,15P 1.25
C107	87-012-157-080		C-CAP,S 330P-50 CH	FL101	8A-NF3-613-010		FL,BJ752GK-ANF3
C108	87-015-681-040		E/CAP 10-16	JR102	83-XM1-617-080		C-COIL, BK2125HM601
C109	87-010-401-040		CAP,E 1-50 SME	JW315	87-A90-896-080		F-BEAD, 035600STY7
C110	87-010-196-080		CHIP CAPACITOR,0.1-25	JW316	87-A90-896-080		F-BEAD, 035600STY7
C112	87-016-460-080		C-CAP,S 0.22-16 B	L101	87-A50-333-010		COIL,OSC 9.43MHZ
C113	87-A10-189-040		CAP,E 220-10	L801	87-A50-093-010		COIL,CLOCK OSC 5.76MHZ
C114	87-010-196-080		CHIP CAPACITOR,0.1-25	L802	87-003-098-080		COIL,2.2UH K LAL02
C115	87-010-198-080		CAP, CHIP 0.022				
C116	87-010-493-040		CAP,E 0.47-50 GAS	CD KEY C.B			
C117	87-010-498-040		CAP,E 10-16 GAS	CN301	87-A60-079-010		CONN,08P H 9604S-08F
C118	87-010-194-080		CAP, CHIP 0.047	FFC302	88-908-381-110		FF-CABLE,8P 1.25
C119	87-A10-797-040		CAP,E 47-35 M 5L SRM	LED311	87-A40-380-180		LED,SEL6510C-TP5 GRN
C120	87-015-699-040		CAP,E 10-50 7L	LED312	87-A40-380-180		LED,SEL6510C-TP5 GRN
C121	87-015-699-040		CAP,E 10-50 7L	LED313	87-A40-380-180		LED,SEL6510C-TP5 GRN
C122	87-010-197-080		CAP, CHIP 0.01 DM	LED314	87-A40-380-180		LED,SEL6510C-TP5 GRN
C123	87-010-196-080		CHIP CAPACITOR,0.1-25	LED315	87-A40-380-180		LED,SEL6510C-TP5 GRN
C125	87-010-196-080		CHIP CAPACITOR,0.1-25	S311	87-A90-095-080		SW,TACT EVQ11G04M
C128	87-010-178-080		CHIP CAP 1000P	S312	87-A90-095-080		SW,TACT EVQ11G04M
C129	87-010-194-080		CAP, CHIP 0.047	S313	87-A90-095-080		SW,TACT EVQ11G04M
C131	87-A10-189-040		CAP,E 220-10	S314	87-A90-095-080		SW,TACT EVQ11G04M
C132	87-A10-189-040		CAP,E 220-10	S315	87-A90-095-080		SW,TACT EVQ11G04M
C151	87-010-194-080		CAP, CHIP 0.047	S316	87-A90-095-080		SW,TACT EVQ11G04M
C192	87-015-785-080		CHIP CAPACITOR, 0.1FZ-25Z	S317	87-A90-095-080		SW,TACT EVQ11G04M
C196	87-010-194-080		CAP, CHIP 0.047				
C197	87-010-194-080		CAP, CHIP 0.047	CONTROL C.B			
C213	87-A10-189-040		CAP,E 220-10	C401	87-010-196-080		CHIP CAPACITOR,0.1-25
C301	87-010-318-080		C-CAP,S 47P-50 CH	C407	87-010-322-080		C-CAP,S 100P-50 CH
C303	87-016-460-080		C-CAP,S 0.22-16 B	C410	87-010-196-080		CHIP CAPACITOR,0.1-25
C304	87-016-460-080		C-CAP,S 0.22-16 B	C417	87-010-322-080		C-CAP,S 100P-50 CH
C305	87-010-196-080		CHIP CAPACITOR,0.1-25	C423	87-010-196-080		CHIP CAPACITOR,0.1-25
C306	87-010-196-080		CHIP CAPACITOR,0.1-25	C424	87-010-196-080		CHIP CAPACITOR,0.1-25
C310	87-010-067-040		CAP,E 0.1-50 5L	C501	87-010-178-080		CHIP CAP 1000P
C701	87-010-981-040		CAP,E 22-35 5L SRE	C502	87-012-156-080		C-CAP,S 220P-50 CH
C801	87-012-156-080		C-CAP,S 220P-50 J CH GRM	C531	87-010-196-080		CHIP CAPACITOR,0.1-25
C802	87-010-176-080		C-CAP,S 680P-50 J SL	C532	87-010-196-080		CHIP CAPACITOR,0.1-25
C803	87-010-187-080		C-CAP,S 5600P-50 KB	CN104	87-099-750-010		CONN,15P V 9604SC
C804	87-010-213-080		C-CAP,S 0.015-25 KB	CN302	87-A60-059-010		CONN,08P V 9604S-08C
C805	87-010-197-080		C-CAP,S 0.01-25 KB	L601	87-003-098-080		COIL,2.2UH K LAL02
C806	87-010-071-040		CAP,E 1-50 M 5L SRE				

REF. NO.	PART NO.	KANRI NO.	DESCRIPTION	REF. NO.	PART NO.	KANRI NO.	DESCRIPTION
LED101	87-A40-317-080		LED,SLR-342VCT31 RED	VOLUME C.B			
LED421	87-A40-831-010		LED,SELU1E10CXM-LF70 BLUE-DEF				
LED422	87-A40-831-010		LED,SELU1E10CXM-LF70 BLUE-DEF	C161	87-010-178-080		CHIP CAP 1000P
LED440	87-A40-380-180		LED,SEL6510C-TP5 GRN	C162	87-012-156-080		C-CAP,S 220P-50 CH
LED441	87-A40-380-180		LED,SEL6510C-TP5 GRN	S511	87-A90-095-080		SW,TACT EVQ11G04M
				S512	87-A90-095-080		SW,TACT EVQ11G04M
				S513	87-A90-095-080		SW,TACT EVQ11G04M
LED442	87-A40-380-180		LED,SEL6510C-TP5 GRN				
LED443	87-A40-380-180		LED,SEL6510C-TP5 GRN				
LED444	87-A40-380-180		LED,SEL6510C-TP5 GRN	S514	87-A90-095-080		SW,TACT EVQ11G04M
LED445	87-A40-380-180		LED,SEL6510C-TP5 GRN	S515	87-A90-095-080		SW,TACT EVQ11G04M
LED446	87-A40-380-180		LED,SEL6510C-TP5 GRN	SW101	87-A91-740-010		SW,RTRY EC12E24308-30MM
LED447	87-A40-380-180		LED,SEL6510C-TP5 GRN	MIC C.B			
LED448	87-A40-380-180		LED,SEL6510C-TP5 GRN				
LED449	87-A40-380-180		LED,SEL6510C-TP5 GRN				
LED451	87-A40-809-040		LED,LTL-307KK PGRN	C601	87-010-196-080		CHIP CAPACITOR,0.1-25
LED452	87-A40-809-040		LED,LTL-307KK PGRN	C602	87-010-186-080		CAP,CHIP 4700P
				C603	87-010-112-040		CAP,E 100-16
				C604	87-010-405-040		CAP,E 10-50
				C605	87-010-546-040		CAP,E 0.33-50
LED453	87-A40-809-040		LED,LTL-307KK PGRN				
LED454	87-A40-809-040		LED,LTL-307KK PGRN	C606	87-010-320-080		CHIP CAP 68P
LED455	87-A40-809-040		LED,LTL-307KK PGRN	C608	87-012-157-080		C-CAP,S 330P-50 CH
LED456	87-A40-809-040		LED,LTL-307KK PGRN	C621	87-010-178-080		CHIP CAP 1000P
LED461	87-A40-317-080		LED,SLR-342VCT31 RED	CN602	87-A60-082-010		CONN,05P H 9604S-05F
				J601	87-A61-242-010		JACK,6.3 BLK MONO W/SW V KM
LED462	87-A40-317-080		LED,SLR-342VCT31 RED				
LED463	87-A40-317-080		LED,SLR-342VCT31 RED	J602	87-A61-242-010		JACK,6.3 BLK MONO W/SW V KM
LED464	87-A40-317-080		LED,SLR-342VCT31 RED	L601	87-003-098-080		COIL,2.2UH
LED465	87-A40-317-080		LED,SLR-342VCT31 RED				
LED521	87-A40-678-010		LED,SELU1E10CXM BLUE-DEF	AMP 1F C.B			
LED522	87-A40-678-010		LED,SELU1E10CXM BLUE-DEF				
S201	87-A90-095-080		SW,TACT EVQ11G04M	C101	87-010-183-080		CAP,CHIP 2700P-50
S202	87-A90-095-080		SW,TACT EVQ11G04M	C102	87-010-183-080		CAP,CHIP 2700P-50
S203	87-A90-095-080		SW,TACT EVQ11G04M	C103	87-010-405-080		CAP, ELECT 10-50V
S204	87-A90-095-080		SW,TACT EVQ11G04M	C104	87-010-405-080		CAP, ELECT 10-50V
				C107	87-010-403-080		CAP, ELECT 3.3-50V
S205	87-A90-095-080		SW,TACT EVQ11G04M				
S206	87-A90-095-080		SW,TACT EVQ11G04M	C108	87-010-403-080		CAP, ELECT 3.3-50V
S207	87-A90-095-080		SW,TACT EVQ11G04M	C111	87-010-322-080		C-CAP,S 100P-50 CH
S208	87-A90-095-080		SW,TACT EVQ11G04M	C112	87-010-322-080		C-CAP,S 100P-50 CH
S211	87-A90-095-080		SW,TACT EVQ11G04M	C113	87-A10-812-080		C-CAP,S 220P-200 J CH
				C114	87-A10-812-080		C-CAP,S 220P-200 J CH
S212	87-A90-095-080		SW,TACT EVQ11G04M				
S213	87-A90-095-080		SW,TACT EVQ11G04M	C119	87-010-197-080		CAP, CHIP 0.01 DM
S214	87-A90-095-080		SW,TACT EVQ11G04M	C120	87-010-197-080		CAP, CHIP 0.01 DM
S215	87-A90-095-080		SW,TACT EVQ11G04M	C121	87-010-260-080		CAP, ELECT 47-25V
S216	87-A90-095-080		SW,TACT EVQ11G04M	C122	87-010-260-080		CAP, ELECT 47-25V
				C173	87-010-186-080		CAP,CHIP 4700P
S217	87-A90-095-080		SW,TACT EVQ11G04M				
S221	87-A90-095-080		SW,TACT EVQ11G04M	C174	87-010-186-080		CAP,CHIP 4700P
S222	87-A90-095-080		SW,TACT EVQ11G04M	C205	87-010-187-080		CAP,CHIP S5600P
S223	87-A90-095-080		SW,TACT EVQ11G04M	C206	87-010-187-080		CAP,CHIP S5600P
S224	87-A90-095-080		SW,TACT EVQ11G04M	C207	87-010-403-080		CAP, ELECT 3.3-50V
				C208	87-010-403-080		CAP, ELECT 3.3-50V
S225	87-A90-095-080		SW,TACT EVQ11G04M				
S226	87-A90-095-080		SW,TACT EVQ11G04M	C209	87-010-184-080		CHIP CAPACITOR 3300P(K)
S227	87-A90-095-080		SW,TACT EVQ11G04M	C210	87-010-184-080		CHIP CAPACITOR 3300P(K)
S228	87-A90-095-080		SW,TACT EVQ11G04M	C211	87-010-401-080		CAP, ELECT 1-50V
S229	87-A90-095-080		SW,TACT EVQ11G04M	C212	87-010-401-080		CAP, ELECT 1-50V
				C215	87-012-156-080		C-CAP,S 220P-50 CH
S230	87-A90-095-080		SW,TACT EVQ11G04M				
S231	87-A90-095-080		SW,TACT EVQ11G04M	C216	87-012-156-080		C-CAP,S 220P-50 CH
S232	87-A90-095-080		SW,TACT EVQ11G04M	C217	87-010-260-080		CAP, ELECT 47-25V
S233	87-A90-095-080		SW,TACT EVQ11G04M	C218	87-010-260-080		CAP, ELECT 47-25V
S234	87-A90-095-080		SW,TACT EVQ11G04M	C221	87-016-100-080		CAP, ELECT 10-50 M BP SME
				C222	87-016-100-080		CAP, ELECT 10-50 M BP SME
S241	87-A90-095-080		SW,TACT EVQ11G04M				
S242	87-A90-095-080		SW,TACT EVQ11G04M	C223	87-010-197-080		CAP, CHIP 0.01 DM
S243	87-A90-095-080		SW,TACT EVQ11G04M	C224	87-010-197-080		CAP, CHIP 0.01 DM
S244	87-A90-095-080		SW,TACT EVQ11G04M	C249	87-012-368-080		C-CAP,S 0.1-50 F
S245	87-A90-095-080		SW,TACT EVQ11G04M	C251	87-010-993-080		C-CAP,S 0.056-25 B
				C252	87-010-196-080		CHIP CAPACITOR,0.1-25
S246	87-A90-095-080		SW,TACT EVQ11G04M				
S247	87-A90-095-080		SW,TACT EVQ11G04M	C253	87-010-196-080		CHIP CAPACITOR,0.1-25
S248	87-A90-095-080		SW,TACT EVQ11G04M	C254	87-010-993-080		C-CAP,S 0.056-25 B
S249	87-A90-095-080		SW,TACT EVQ11G04M	C255	87-010-190-080		S CHIP F 0.01
S250	87-A90-095-080		SW,TACT EVQ11G04M	C256	87-010-190-080		S CHIP F 0.01
				C265	87-010-260-080		CAP,E 47-25V
S251	87-A90-095-080		SW,TACT EVQ11G04M				
S252	87-A90-095-080		SW,TACT EVQ11G04M	C402	87-010-196-080		CHIP CAPACITOR,0.1-25
S253	87-A90-095-080		SW,TACT EVQ11G04M	C413	87-A10-119-080		CAP,E 10-100 REA
SW501	87-A91-739-010		SW,RTRY EC12E12404-25MM RT				

REF. NO.	PART NO.	KANRI NO.	DESCRIPTION	REF. NO.	PART NO.	KANRI NO.	DESCRIPTION
C414	87-A10-120-080		CAP,E 22-100 REA	CN1	87-A60-619-010		CONN,2P V 2MM JMT
C495	87-A10-812-080		C-CAP,S220P-200 J	CN2	87-A60-619-010		CONN,2P V 2MM JMT
C496	87-A10-812-080		C-CAP,S220P-200 J	CN91	87-099-043-010		CONN,2P V WHT EH
CNA101	8A-NF8-652-010		CONN ASSY,7P TID-A(480)	CN101	87-A61-109-010		CONN,7P V TID-A
CNA103	8A-NF8-656-010		CONN ASSY,5P TID-A(400)	CN102	87-A60-135-010		CONN,10P V FE
CON101	87-A61-011-010		CONN,13P H BLK TAC-L13P-A3	J101	87-A61-438-010		JACK, PIN 3P O/W/R
CON102	87-A61-011-010		CONN,13P H BLK TAC-L13P-A3	L151	87-A50-610-010		COIL, 1UH K (MDEC)
CON103	87-A60-058-010		CONN,10P V 9604S-10C	L152	87-A50-610-010		COIL, 1UH K (MDEC)
CON104	87-A61-142-010		CONN,7P V THL-P07-A1	L251	87-A50-610-010		COIL, 1UH K (MDEC)
J201	87-A61-158-010		JACK,PIN 2P R/W/BL H (SEPA)KM	R131	87-A00-764-010		RES,M/F 0.22-3W J
JW138	87-A90-896-080		F-BEAD, 035600STY7	R132	87-A00-764-010		RES,M/F 0.22-3W J
JW944	87-A90-896-080		F-BEAD, 035600STY7	R171	87-A00-764-010		RES,M/F 0.22-3W J
L251	87-A50-610-010		COIL,1UH K(MDEC)	R172	87-A00-764-010		RES,M/F 0.22-3W J
L252	87-A50-610-010		COIL,1UH K(MDEC)	R218	87-A00-262-080		RES,M/F 0.15-2W J
R161	87-A00-669-080		RES,M/F 0.22-2W JRA	R278	87-A00-262-080		RES,M/F 0.15-2W J
R162	87-A00-669-080		RES,M/F 0.22-2W J	TH 201	87-A91-042-080		C-THMS, 100K 55001
R163	87-A00-669-080		RES,M/F 0.22-2W J				
R164	87-A00-669-080		RES,M/F 0.22-2W J				
R165	87-A00-669-080		RES,M/F 0.22-2W J	PT C.B			
R166	87-A00-669-080		RES,M/F 0.22-2W J				
R167	87-A00-669-080		RES,M/F 0.22-2W J	C1	87-010-387-080		CAP,E 470-25 SME
R168	87-A00-669-080		RES,M/F 0.22-2W J	C4	87-A11-148-080		CAP,TC U 0.1-50 ZF
R231	87-A00-764-001		RES,M/F 0.22-3W J	C5	87-A11-148-080		CAP,TC U 0.1-50 ZF
R232	87-A00-764-001		RES,M/F 0.22-3W J	C6	87-A10-416-090		CAP,E 6800-80 SMG
R243	87-A00-764-001		RES,M/F 0.22-3W J	C7	87-A10-416-090		CAP,E 6800-80 SMG
R244	87-A00-764-001		RES,M/F 0.22-3W J	C8	87-A11-148-080		CAP,TC U 0.1-50 ZF
WH101	87-A90-460-010		HLLDR,WIRE 2.5-7P	C9	87-A11-148-080		CAP,TC U 0.1-50 ZF
WH102	87-A90-460-010		HLLDR,WIRE 2.5-7P	C10	87-A11-148-080		CAP,TC U 0.1-50 ZF
				C11	87-A11-148-080		CAP,TC U 0.1-50 ZF
				C12	87-A11-939-090		CAP,E 4700-35 KMG
AMP 2F C.B				C13	87-A11-939-090		CAP,E 4700-35 KMG
C101	87-010-178-080		CAP,S 1000P-50 KB C2012	C16	87-010-403-040		CAP,E 3.3-50 SME
C102	87-010-178-080		CAP,S 1000P-50 KB C2012	C18	87-A11-148-080		CAP,TC U 0.1-50 ZF
C103	87-010-405-080		CAP,E 10-50 M 11L SME	C19	87-A11-148-080		CAP,TC U 0.1-50 ZF
C104	87-010-405-080		CAP,E 10-50 M 11L SME	C20	87-A11-148-080		CAP,TC U 0.1-50 ZF
C107	87-010-404-080		CAP,E 4.7-50 M 11L SME	C21	87-A11-148-080		CAP,TC U 0.1-50 ZF
C108	87-010-404-080		CAP,E 4.7-50 M 11L SME	C22	87-A10-416-090		CAP,E 6800-80 SMG
C111	87-010-176-080		CAP,S 680P-50 J SL	C23	87-A10-416-090		CAP,E 6800-80 SMG
C112	87-010-176-080		CAP,S 680P-50 J SL	C24	87-A11-148-080		CAP,TC U 0.1-50 ZF
C113	87-010-260-080		CAP,E 47-25 M 11L SME	C25	87-A11-148-080		CAP,TC U 0.1-50 ZF
C114	87-010-260-080		CAP,E 47-25 M 11L SME	C27	87-A11-148-080		CAP,TC U 0.1-50 ZF
C115	87-010-405-080		CAP,E 10-50 M 11L SME	C28	87-A11-148-080		CAP,TC U 0.1-50 ZF
C116	87-010-405-080		CAP,E 10-50 M 11L SME	C29	87-A11-148-080		CAP,TC U 0.1-50 ZF
C118	87-010-196-080		C-CAP,S 0.1-25 ZF C2012	C30	87-A11-148-080		CAP,TC U 0.1-50 ZF
C119	87-010-196-080		C-CAP,S 0.1-25 ZF C2012	C31	87-A11-148-080		CAP,TC U 0.1-50 ZF
C121	87-010-190-080		C-CAP,S 0.01-50 ZF C2012	C32	87-A11-148-080		CAP,TC U 0.1-50 ZF
C122	87-010-190-080		C-CAP,S 0.01-50 ZF C2012	C33	87-A11-148-080		CAP,TC U 0.1-50 ZF
C151	87-012-368-080		C-CAP,S 0.1-50 ZF	C34	87-A11-148-080		CAP,TC U 0.1-50 ZF
C152	87-012-368-080		C-CAP,S 0.1-50 ZF	C35	87-A11-148-080		CAP,TC U 0.1-50 ZF
C153	87-A11-595-080		C-CAP,S 0.056-50 KB	C36	87-A11-148-080		CAP,TC U 0.1-50 ZF
C154	87-A11-595-080		C-CAP,S 0.056-50 KB	C37	87-A11-148-080		CAP,TC U 0.1-50 ZF
C155	87-010-190-080		C-CAP,S 0.01-50 ZF C2012	C38	87-A11-148-080		CAP,TC U 0.1-50 ZF
C156	87-010-190-080		C-CAP,S 0.01-50 ZF C2012	CN1	87-A61-110-010		CONN,9P V TID-A
C160	87-010-186-080		C-CAP,S 4700P-50 KB C2012	CN2	8A-MTM-638-010		CONN ASSY,7P LOW SUPPLY
C161	87-010-186-080		C-CAP,S 4700P-50 KB C2012	CN5	87-A60-619-010		CONN,2P V 2MM JMT
C201	87-010-186-080		C-CAP,S 4700P-50 KB C2012	FB101	87-A90-562-010		F-BEAD,9.5-17.5.5-28.5 BRH
C202	87-010-258-080		CAP,E 22-35 M 11L SME	△ PR1	87-026-682-080		PROTECTOR,10A 60V491
C203	87-010-322-080		C-CAP,S 100P-50 J CH GRM	△ PR2	87-026-682-080		PROTECTOR,10A 491 SERIES 60V
C204	87-015-685-080		CAP,E 10-25 M 7L SRA	△ PR3	87-026-682-080		PROTECTOR,10A 491 SERIES 60V
C205	87-010-260-080		CAP,E 47-25 M 11L SME	△ PR4	87-026-682-080		PROTECTOR,10A 491 SERIES 60V
C206	87-012-156-080		C-CAP,S 220P-50 J CH GRM	△ PR5	87-026-682-080		PROTECTOR,10A 491 SERIES 60V
C208	87-010-197-080		C-CAP,S 0.01-25 KB C2012	△ PR6	87-026-682-080		PROTECTOR,10A 491 SERIES 60V
C209	87-010-260-080		CAP,E 47-25 M 11L SME	△ PR7	87-026-682-080		PROTECTOR,10A 491 SERIES 60V
C210	87-010-260-080		CAP,E 47-25 M 11L SME	△ PR8	87-026-682-080		PROTECTOR,10A 491 SERIES 60V
C211	87-010-178-080		C-CAP,S 1000P-50 KB C2012	△ PR105	87-026-682-080		PROTECTOR,10A 491 SERIES 60V
C212	87-010-178-080		C-CAP,S 1000P-50 KB C2012	△ PR106	87-026-682-080		PROTECTOR,10A 491 SERIES 60V
C251	87-012-368-080		C-CAP,S 0.1-50 ZF	△ PR107	87-026-682-080		PROTECTOR,10A 491 SERIES 60V
C252	87-A11-595-080		C-CAP,S 0.056-50 KB	△ PR108	87-026-682-080		PROTECTOR,10A 491 SERIES 60V
C253	87-010-190-080		C-CAP,S 0.01-50 ZF C2012	△ PT2	8A-NF8-673-010		PT,SUB ANF-8 (H) KAMI
C258	87-010-178-080		C-CAP,S 1000P-50 KB C2012	△ PT101	8A-NHP-603-010		PT,HR EI11480 ANH23

REF. NO.	PART NO.	KANRI NO.	DESCRIPTION	REF. NO.	PART NO.	KANRI NO.	DESCRIPTION
RY2	87-A91-300-010		RELAY,AC 12V ALA2PF12	C556	87-012-145-080		C-CAP,S 270P-50 J CH GRM
S1	87-A90-165-010		SW,SL 1-2-3 SWS2301	C557	87-010-183-080		C-CAP,S 2700P-50 KB GRM
T1	87-A60-317-010		TERMINAL, 1P MSC	C559	87-010-196-080		C-CAP,S 0.1-25 ZF C2012
T2	87-A60-317-010		TERMINAL, 1P MSC	C560	87-010-177-080		C-CAP,S 820P-50 J SL C2012
				C561	87-010-177-080		C-CAP,S 820P-50 J SL C2012
VM C.B				C562	87-010-196-080		C-CAP,S 0.1-25 ZF C2012
CNA3	87-049-919-010		CONN,3P EH V WHT	C563	87-010-374-080		CAP,E 47-10 M
				C564	87-010-196-080		C-CAP,S 0.1-25 ZF C2012
				C565	87-010-263-080		CAP,E 100-10 M
				C567	87-010-183-080		C-CAP,S 2700P-50 KB GRM
GEQ C.B				C571	87-016-460-080		C-CAP,S 0.22-16 KB
C201	87-010-402-080		CAP, ELECT 2.2-50V	C572	87-016-460-080		C-CAP,S 0.22-16 KB
C202	87-010-402-080		CAP, ELECT 2.2-50V	C573	87-016-460-080		C-CAP,S 0.22-16 KB
C205	87-010-404-080		CAP, ELECT 4.7-50V	C577	87-010-196-080		C-CAP,S 0.1-25 ZF C2012
C207	87-016-669-080		C-CAP,S 0.1-25 KB	CN551	87-A60-689-010		CONN,7P H GRY TUC-P07X-C1
C208	87-016-669-080		C-CAP,S 0.1-25 KB				
C209	87-016-460-080		C-CAP,S 0.22-16 B	DECK C.B			
C210	87-016-460-080		C-CAP,S 0.22-16 B	CN502	87-099-756-010		CONN,15P 9604S F
C211	87-012-365-080		C-CAP,S 0.027-25VBK	SFR1	87-024-581-010		SFR,3.3K DIA 6H
C212	87-012-365-080		C-CAP,S 0.027-25VBK	SOL1	82-ZM1-618-410		SOL ASSY,27
C213	87-010-956-080		CHIP-CAP,S 0.068-25B	SOL2	82-ZM1-618-410		SOL ASSY,27
C214	87-010-956-080		CHIP-CAP,S 0.068-25B	SW1	87-A90-248-010		SW,MICRO ESE11SH2CXQ
C215	87-010-197-080		CAP, CHIP 0.01 DM	SW2	87-A90-248-010		SW,MICRO ESE11SH2CXQ
C216	87-010-197-080		CAP, CHIP 0.01 DM	SW3	87-A90-248-010		SW,MICRO ESE11SH2CXQ
C217	87-010-198-080		CAP, CHIP 0.022	SW4	87-036-110-010		SW,MICRO SPPB62
C218	87-010-198-080		CAP, CHIP 0.022	SW5	87-036-110-010		SW,MICRO SPPB62
C219	87-010-183-080		C-CAP,S 2700P-50 B	SW6	87-036-110-010		SW,MICRO SPPB62
C220	87-010-183-080		C-CAP,S 2700P-50 B				
C221	87-010-188-080		CAP,CHIP 6800P	SW8	87-A90-248-010		SW,MICRO ESE11SH2CXQ
C222	87-010-188-080		CAP,CHIP 6800P	SW9	87-A90-248-010		SW,MICRO ESE11SH2CXQ
C223	87-010-178-080		CHIP CAP 1000P	HEAD-1 C.B			
C224	87-010-178-080		CHIP CAP 1000P		85-ZM3-602-010		PWB,FLEX A
C225	87-010-182-080		C-CAP,S 2200P-50 B	CON301	87-NF6-615-010		CONN ASSY,3P-RPB
C226	87-010-182-080		C-CAP,S 2200P-50 B				
C227	87-010-112-080		CAP, ELECT 100-16V	HEAD-2 C.B			
C228	87-010-196-080		CHIP CAPACITOR,0.1-25		85-ZM3-602-010		PWB,FLEX A
C229	87-010-322-080		C-CAP,S 100P-50 CH	CON351	87-NF6-616-010		CONN ASSY,8P-RPB
C230	87-010-322-080		C-CAP,S 100P-50 CH				
C231	87-010-322-080		C-CAP,S 100P-50 CH				
CN201	87-A60-546-010		CONN,11P H GRY TUC-P11X-C1				
KEY CON C.B							
C551	87-A10-060-080		C-CAP,S 0.8-16 KB				
C552	87-A10-060-080		C-CAP,S 0.8-16 KB				
C553	87-012-154-080		C-CAP,S 150P-50 J CH GRM				
C554	87-012-154-080		C-CAP,S 150P-50 J CH GRM				
C555	87-012-145-080		C-CAP,S 270P-50 J CH GRM				

○チップ抵抗部品コード/CHIP RESISTOR PART CODE

チップ抵抗部品コードの成り立ち

Chip Resistor Part Coding



A
抵抗部品コード
Resistor Code

桁表示
Figure
抵抗値
Value of resistor

チップ抵抗
Chip resistor

容量 Wattage	種類 Type	許容誤差 Tolerance	記号 Symbol	寸法/Dimensions (mm)			抵抗コード : A Resistor Code : A	
				外形/Form	L	W		t
1/16W	1005	± 5%	CJ		1.0	0.5	0.35	104
1/16W	1608	± 5%	CJ		1.6	0.8	0.45	108
1/10W	2125	± 5%	CJ		2	1.25	0.45	118
1/8W	3216	± 5%	CJ		3.2	1.6	0.55	128

TRANSISTOR ILLUSTRATION



E C B

KTA1266GR CSA952K
KTC3198GR CD1585BC
KTC3199GR CSC4115BC



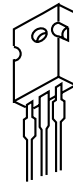
E C B

CC5551



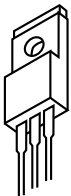
E C B

DTC114ES
2SA933S



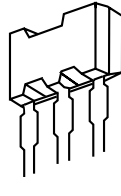
E C B

2SB1436(R)



B C E

2SB1370E
2SB1649
2SD2562
FN1016
FP1016



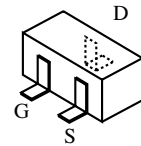
E C B

2SB1237Q

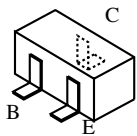


G D S

2SK3053

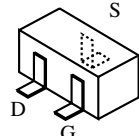


2SK2158
2SJ461-T1



B C E

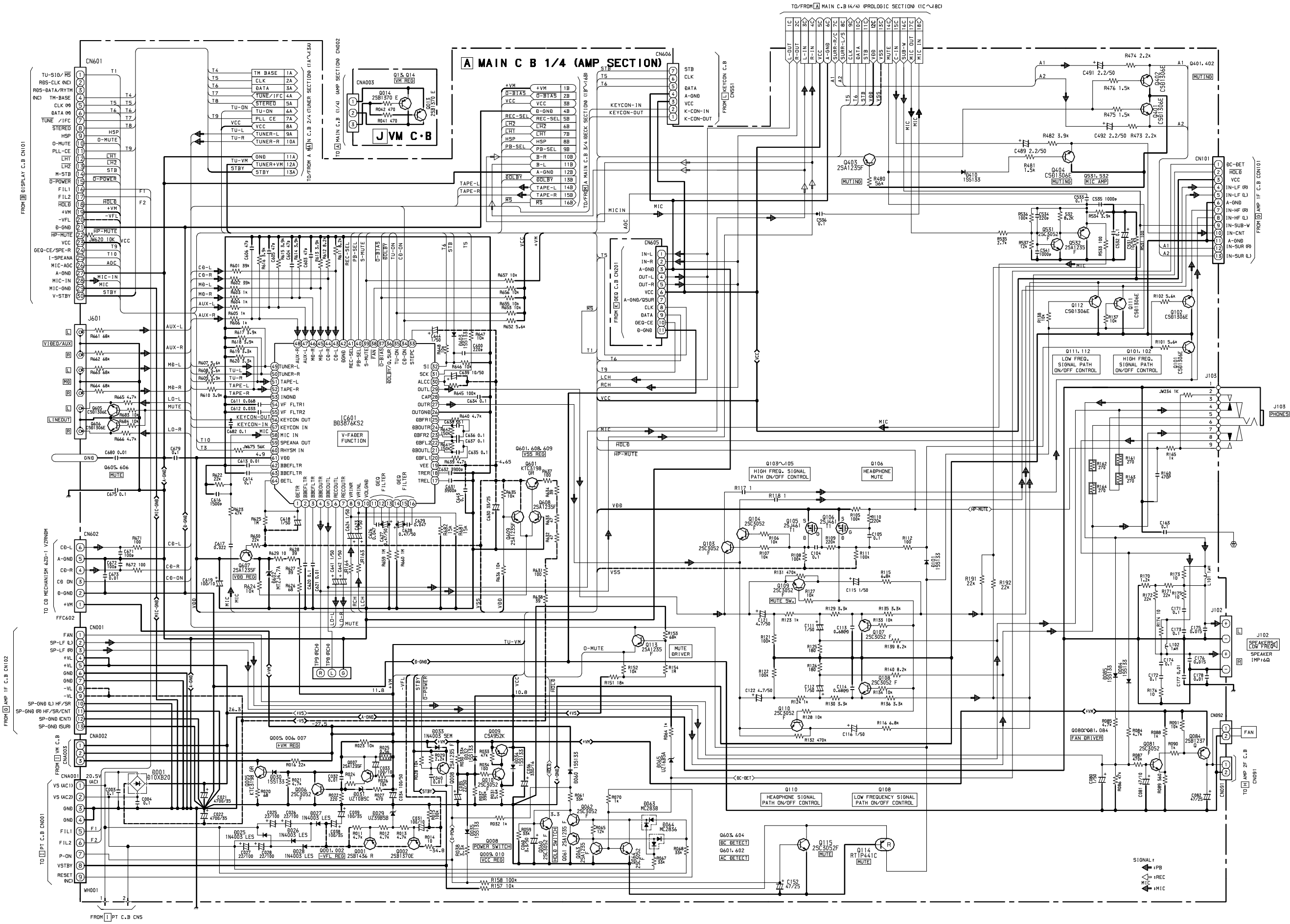
2SA1235F KRA104S
2SC2714O KRA107S
2SC3052F KRC102S-RTK
CMBT5551 RT1N141C
CMBT5401 RT1P141C
CSD1306E RT1P144C
DTA143EKA RT1P441C
KRA102S



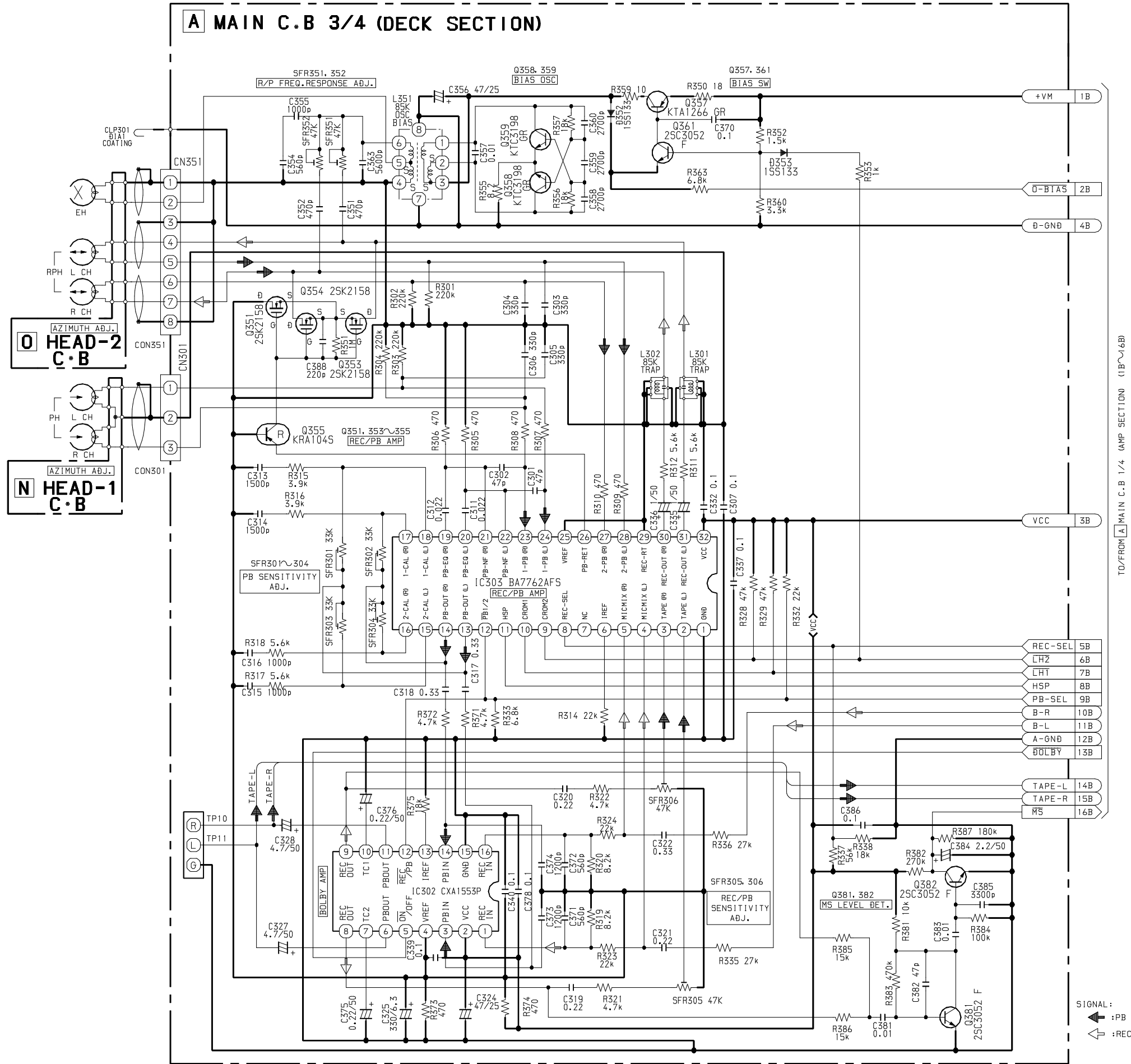
D G S

2SK360E

SCHEMATIC DIAGRAM - 1 (MAIN 1/4 (AMP SECTION) / VM)

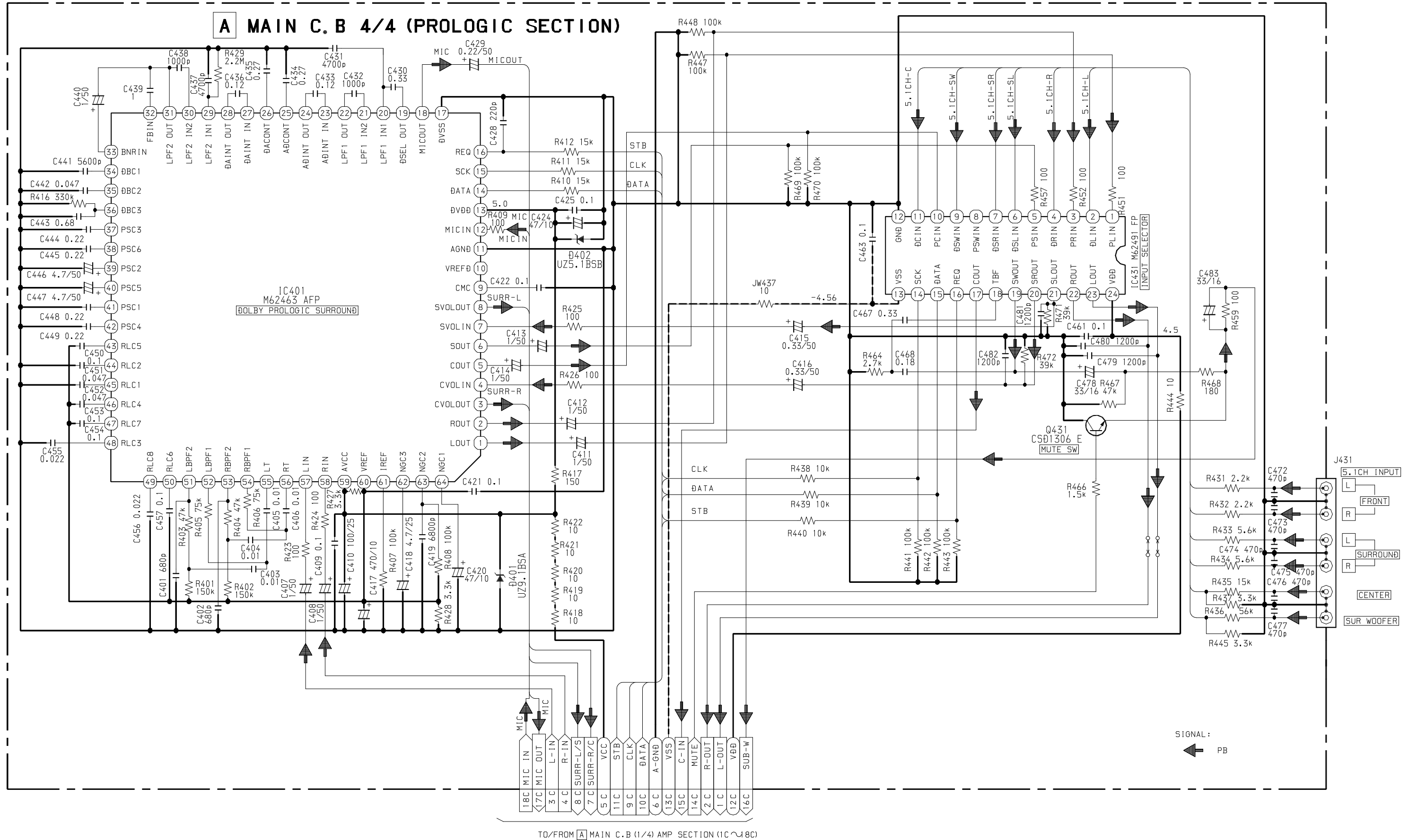


SCHEMATIC DIAGRAM - 3 (MAIN 3/4 (DECK SECTION) / HEAD-1 / HEAD-2)

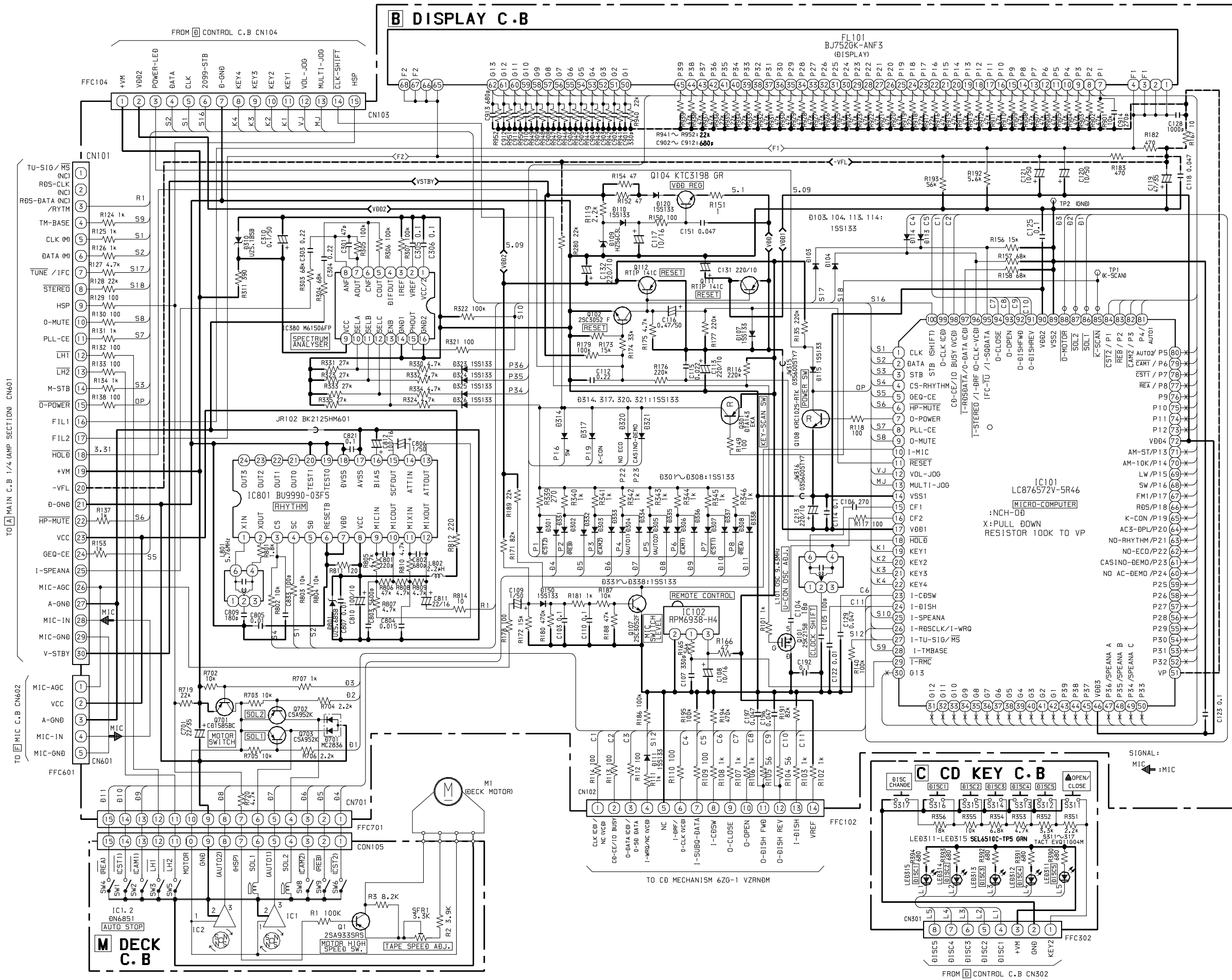


TO/FROM MAIN C.B 1/4 (AMP SECTION) (1B-16B)

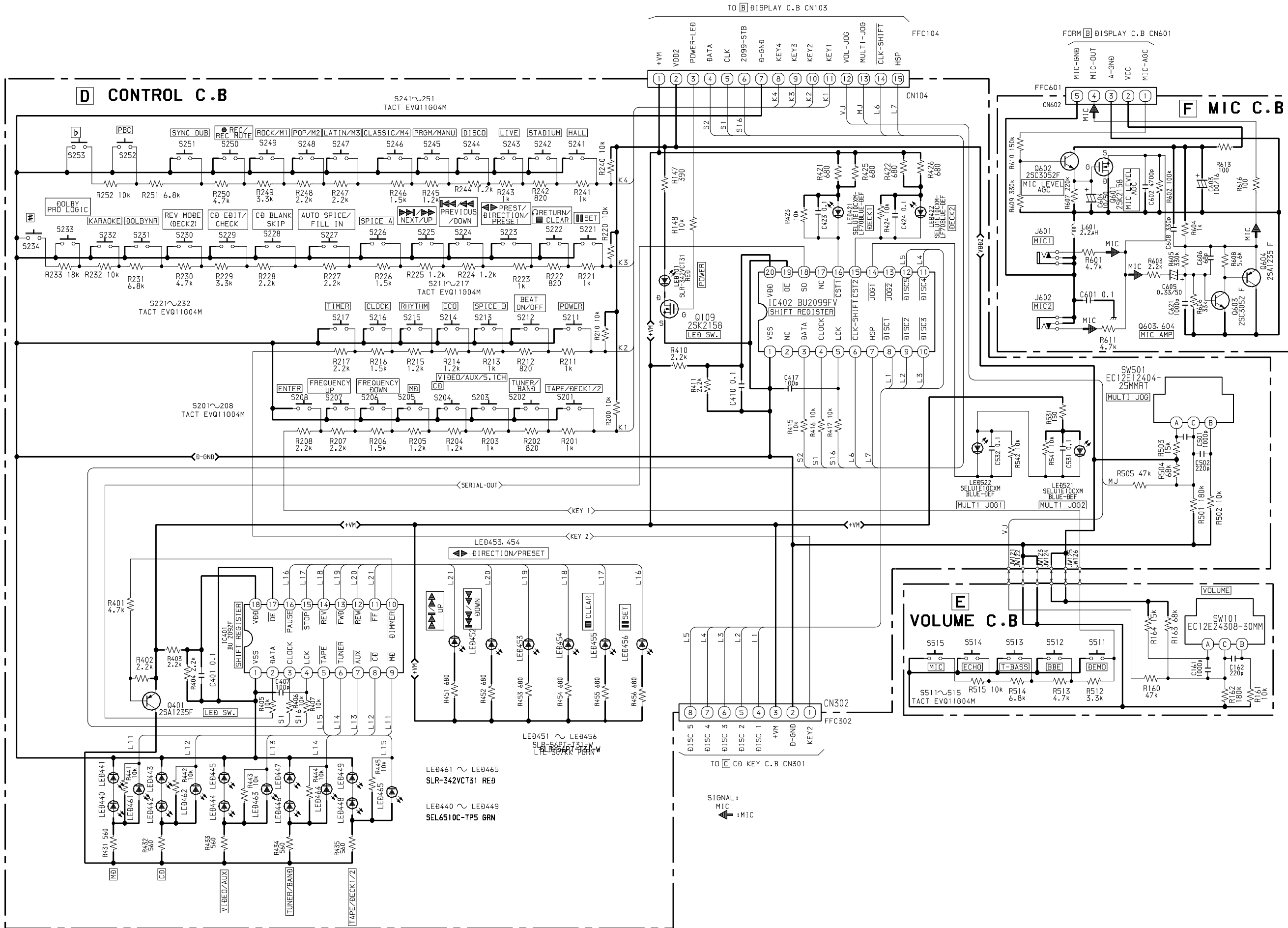
SCHEMATIC DIAGRAM - 4 (MAIN 4/4 (PROLOGIC SECTION))



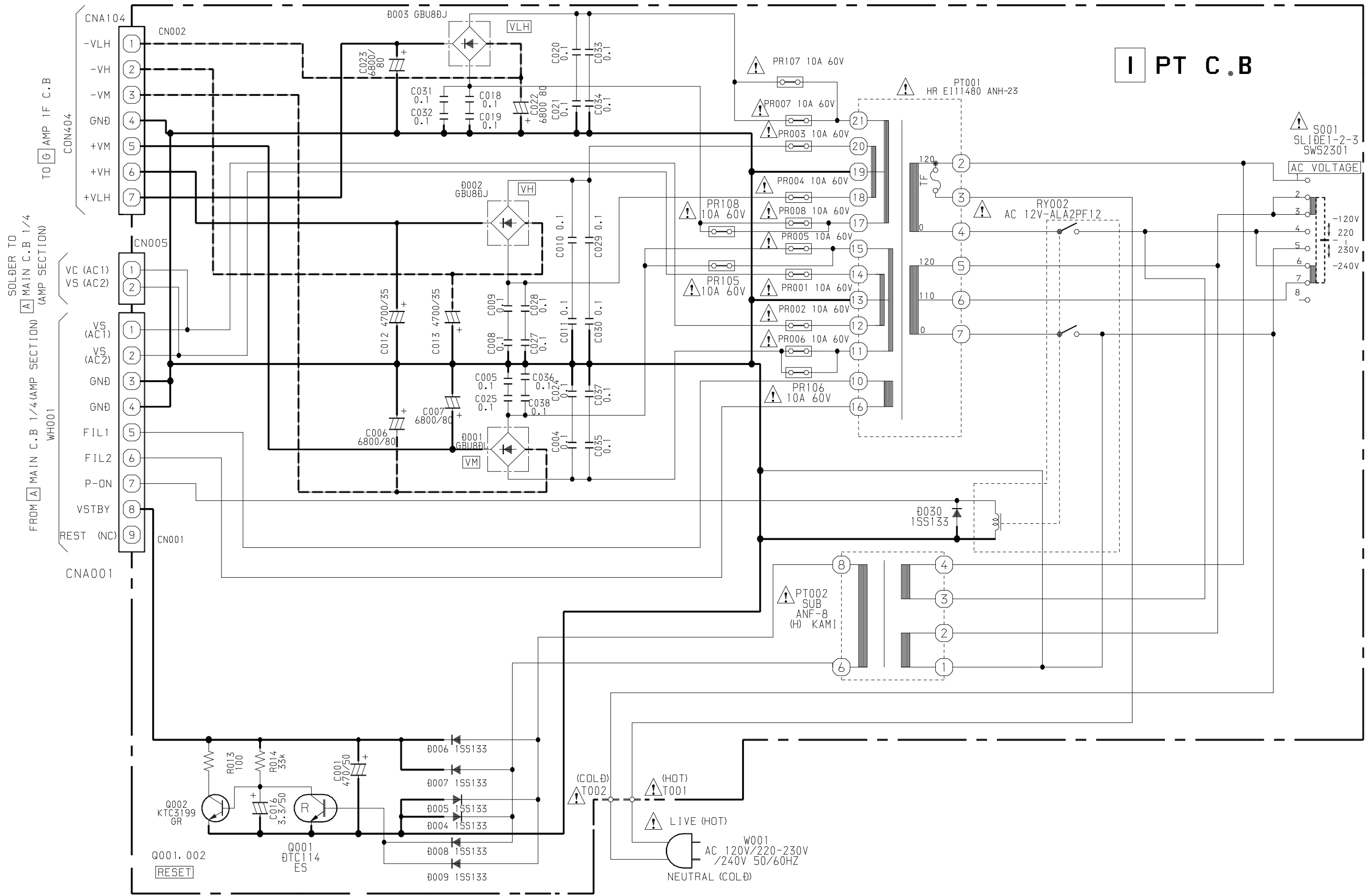
SCHEMATIC DIAGRAM - 5 (DISPLAY/CD KEY/DECK)

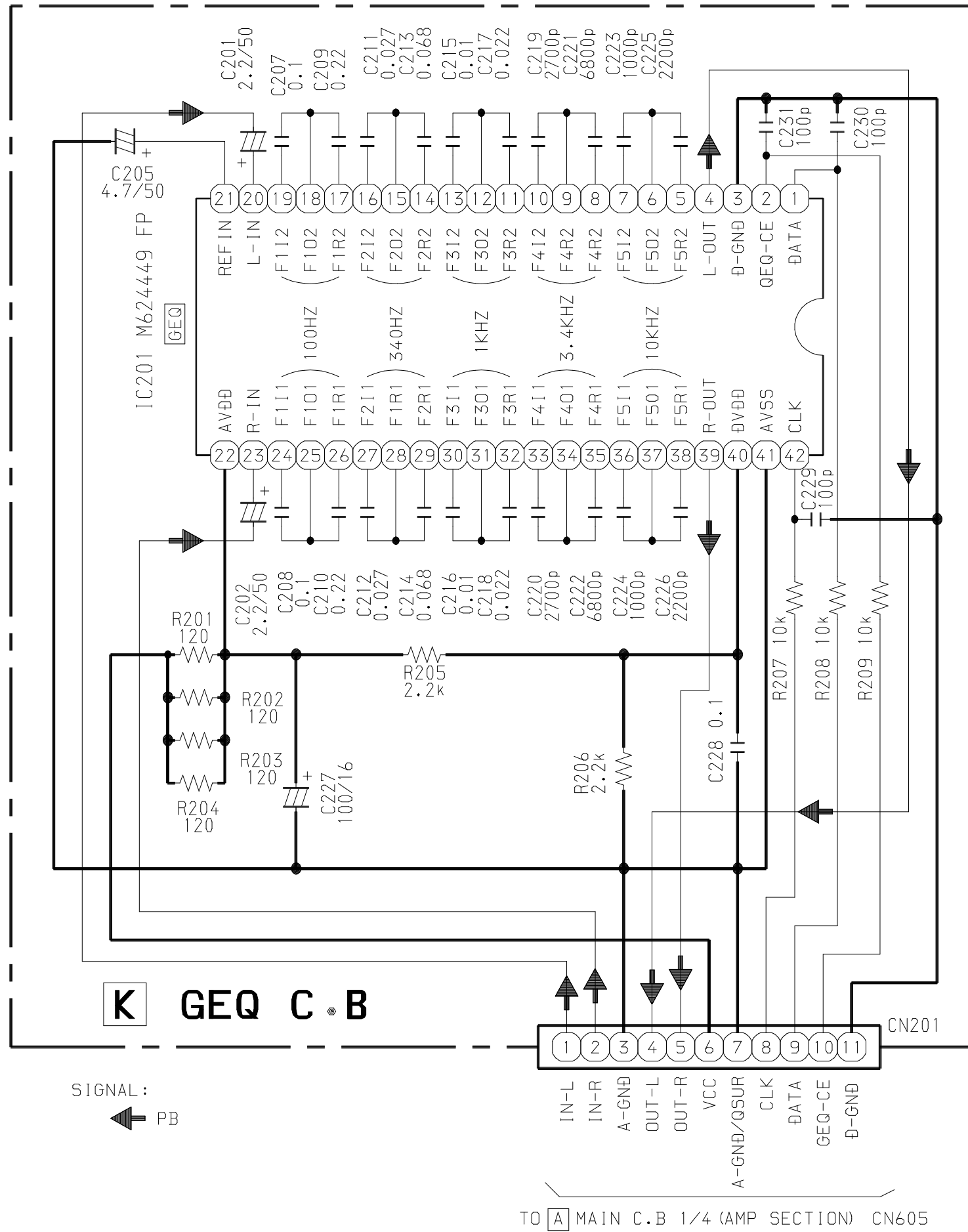


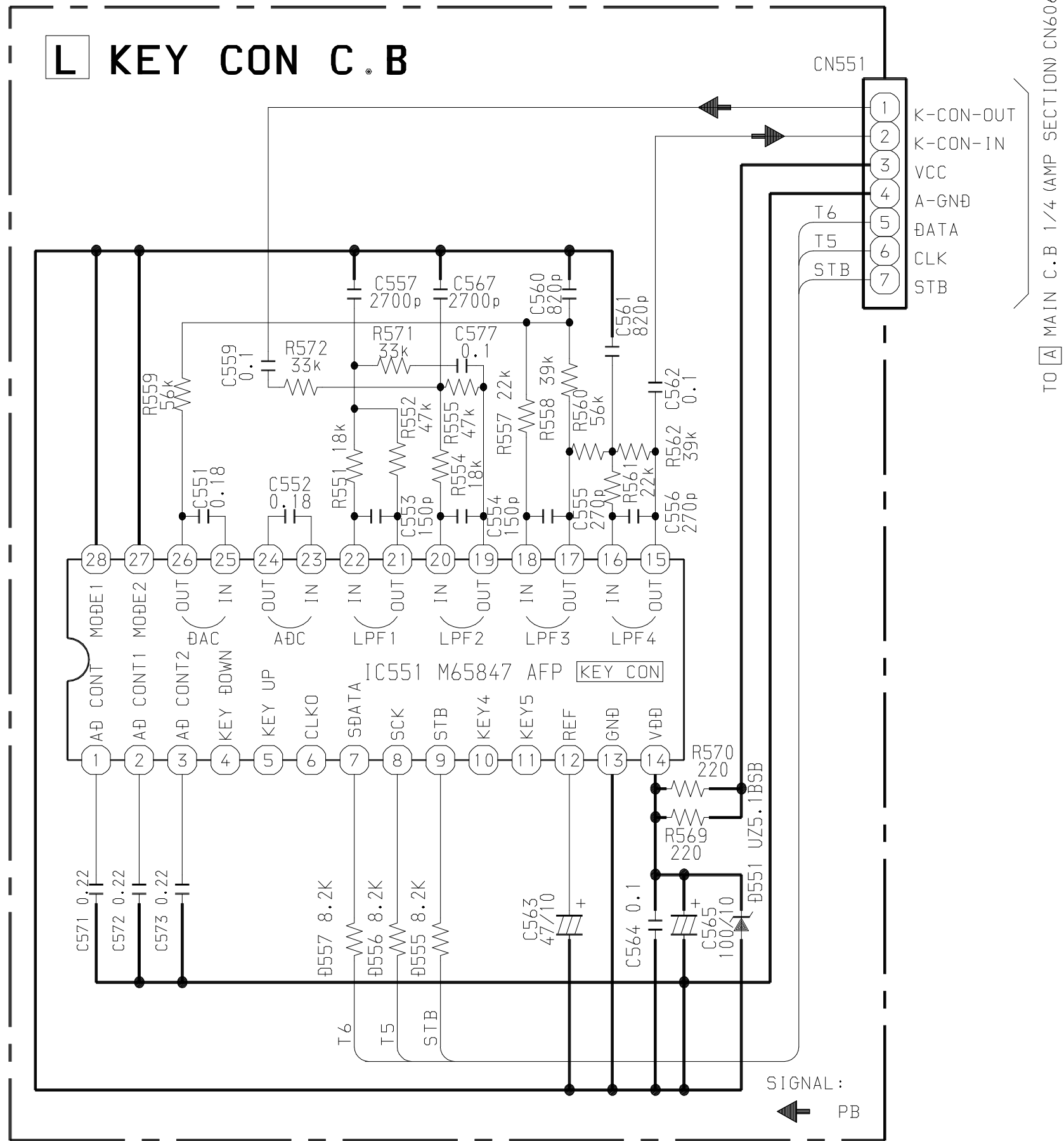
SCHEMATIC DIAGRAM-6 (CONTROL/VOLUME/MIC)



SCHEMATIC DIAGRAM - 9 (PT)

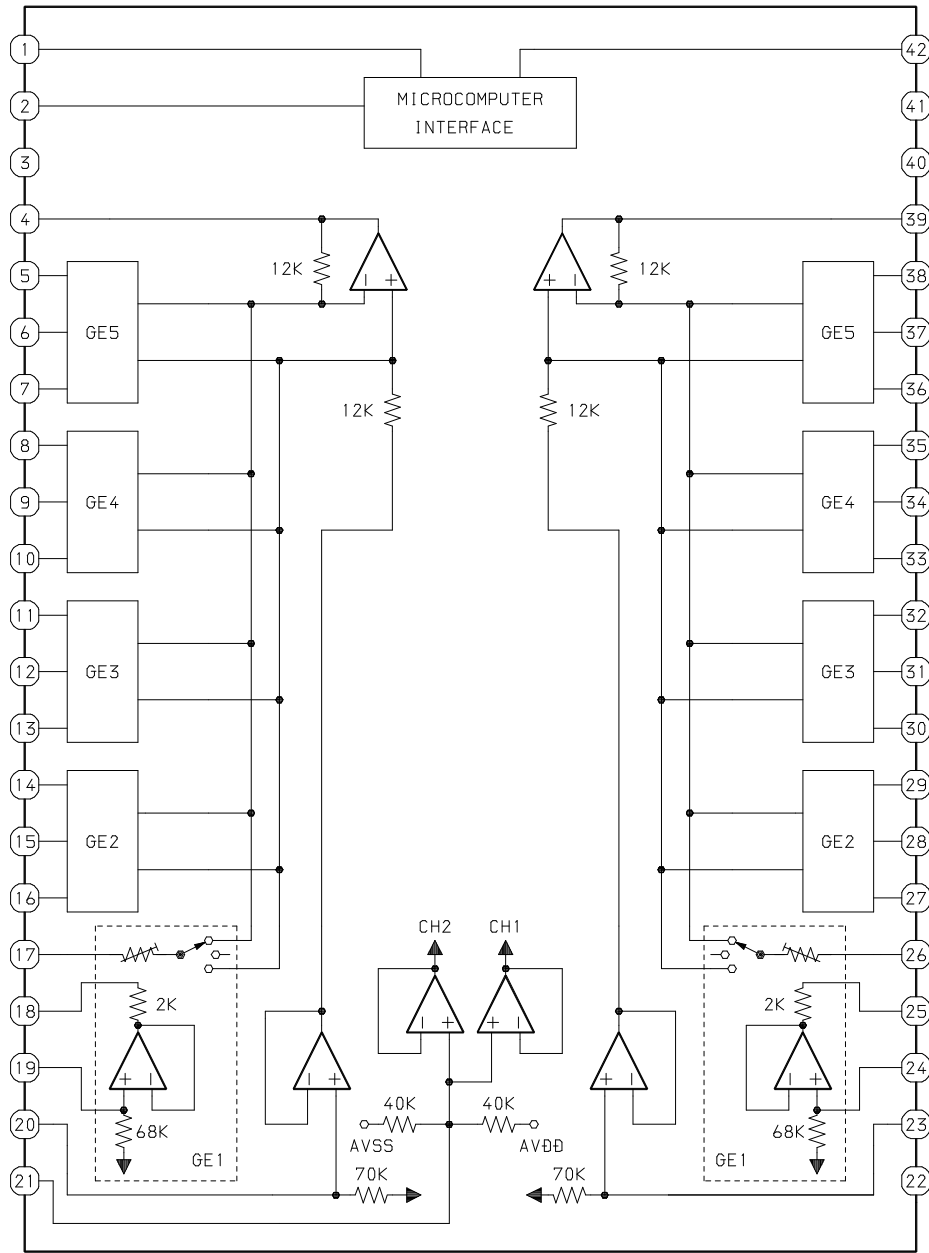




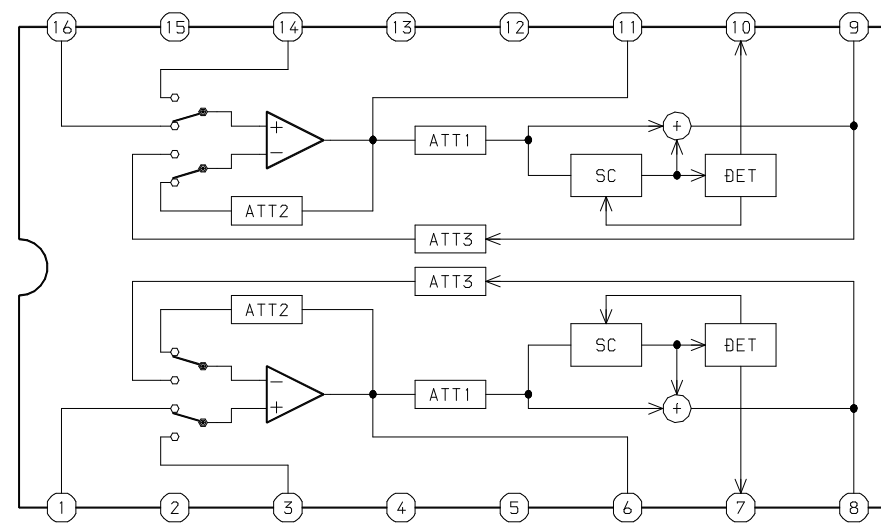


IC BLOCK DIAGRAM

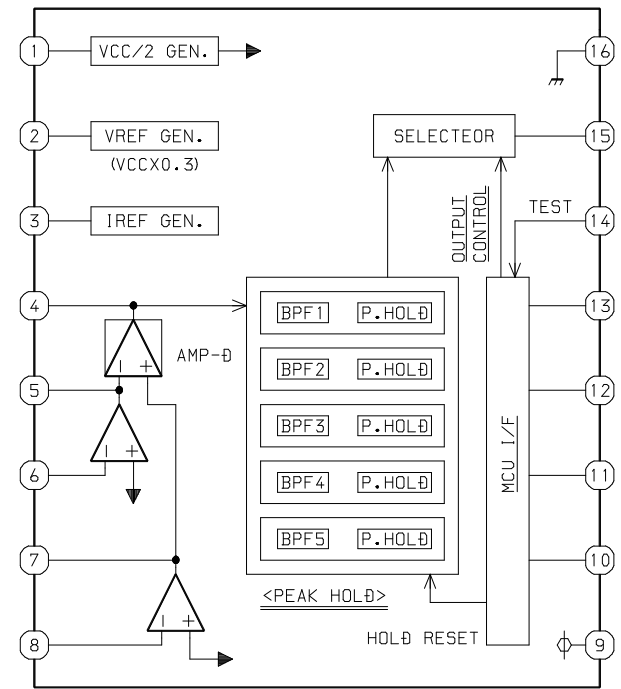
IC, M62449FP



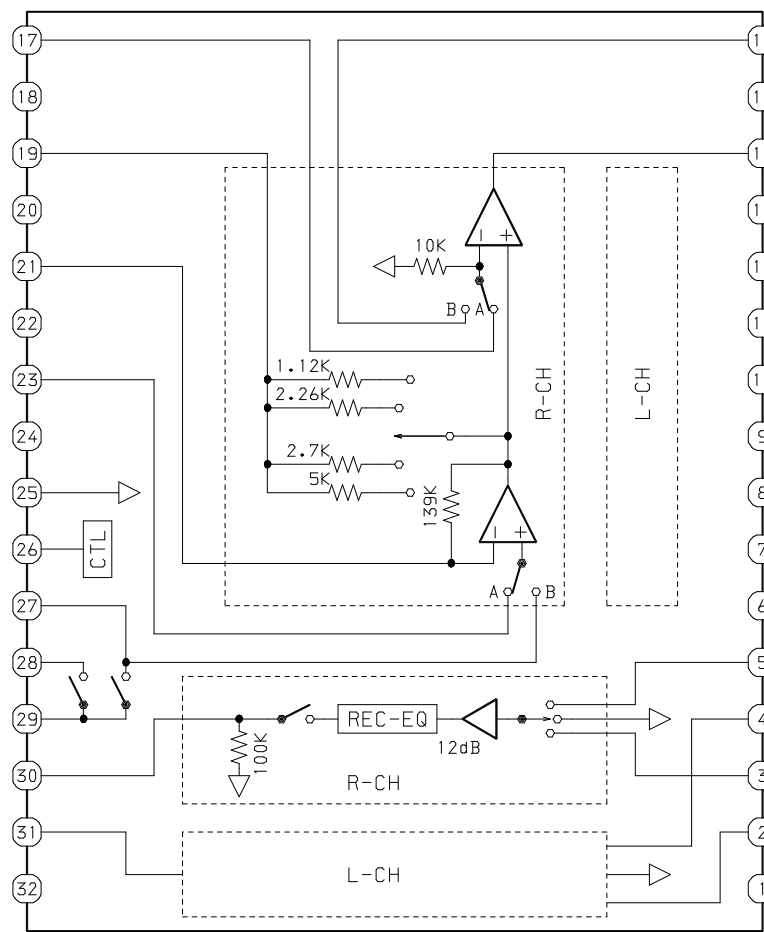
IC, CXA1553P



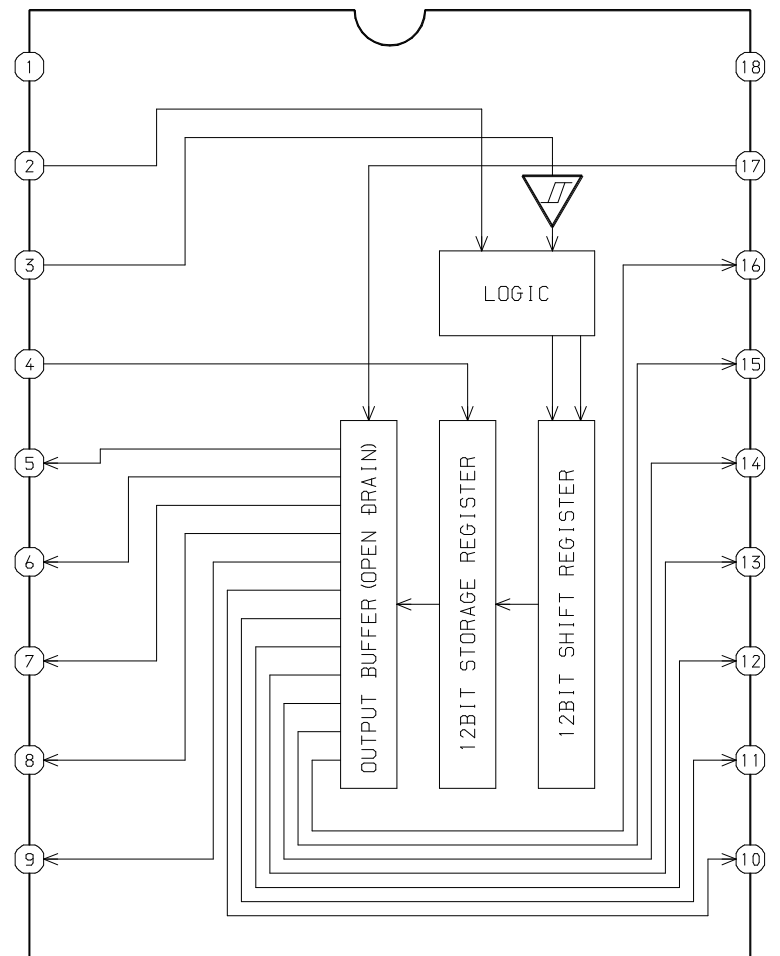
IC, M61506FP



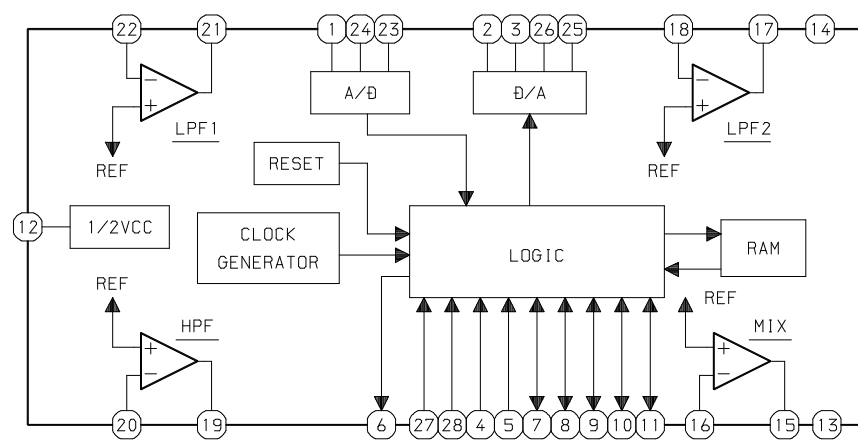
IC, BA7762AFS



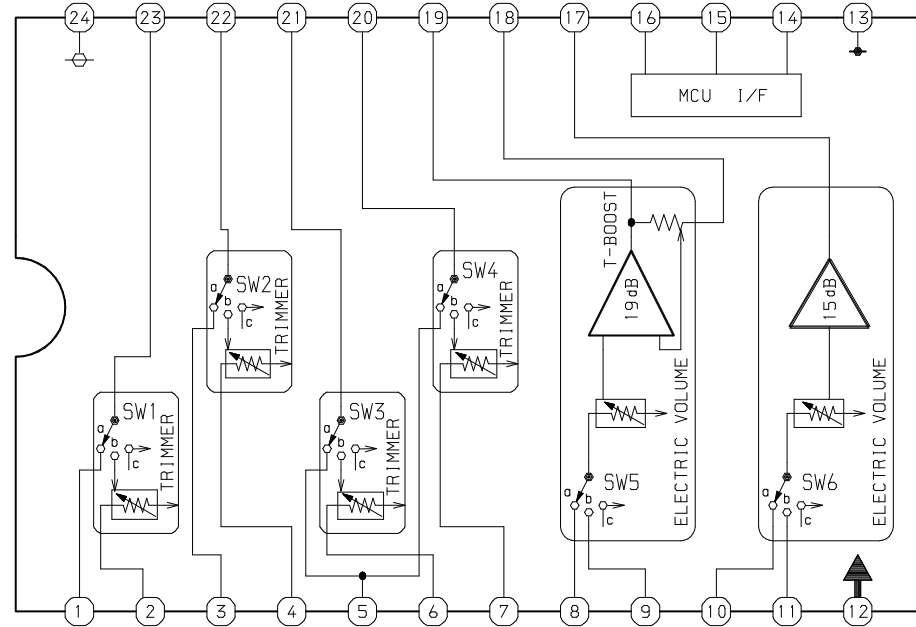
IC, BU2092F



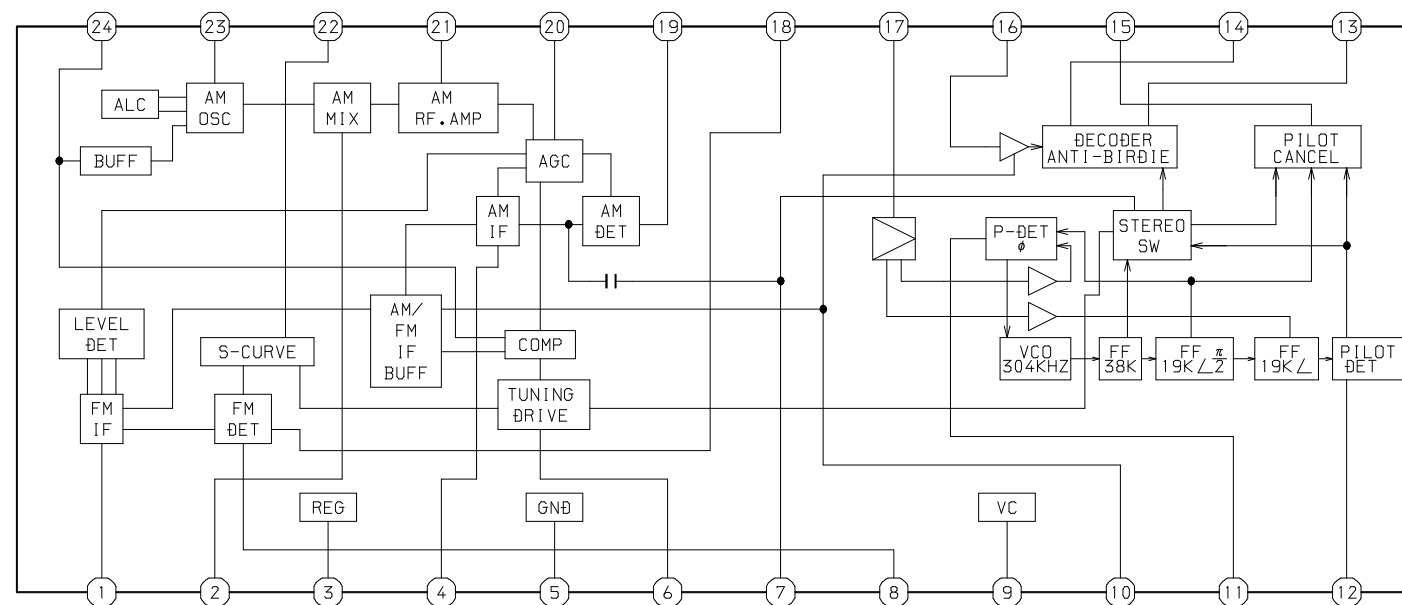
IC, M65847AFP



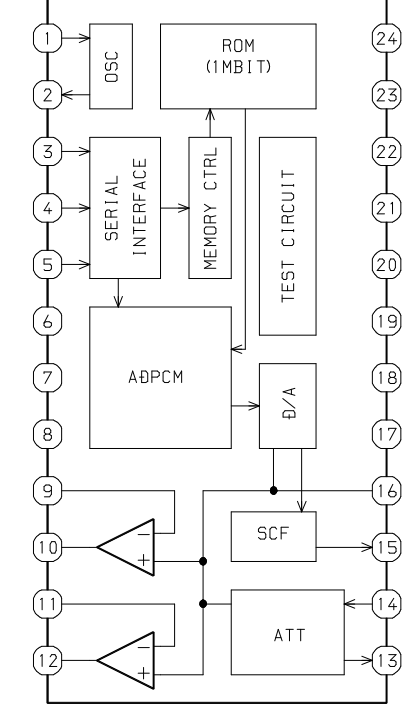
IC, M62491FP



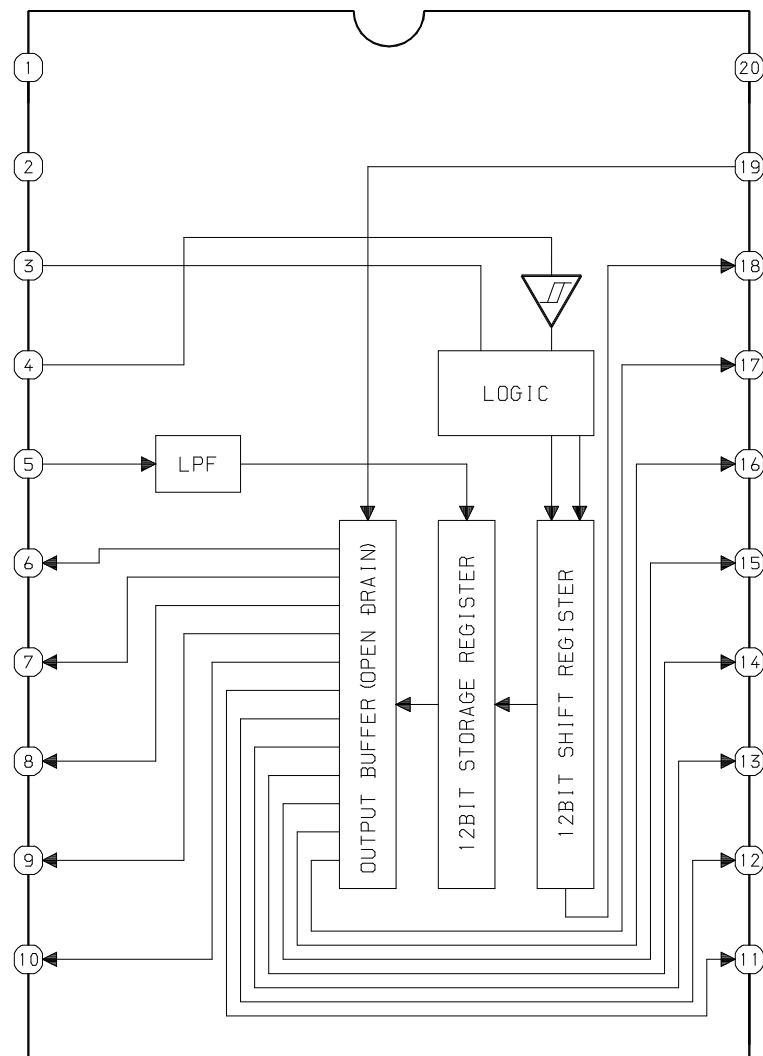
IC, LA1844L-A



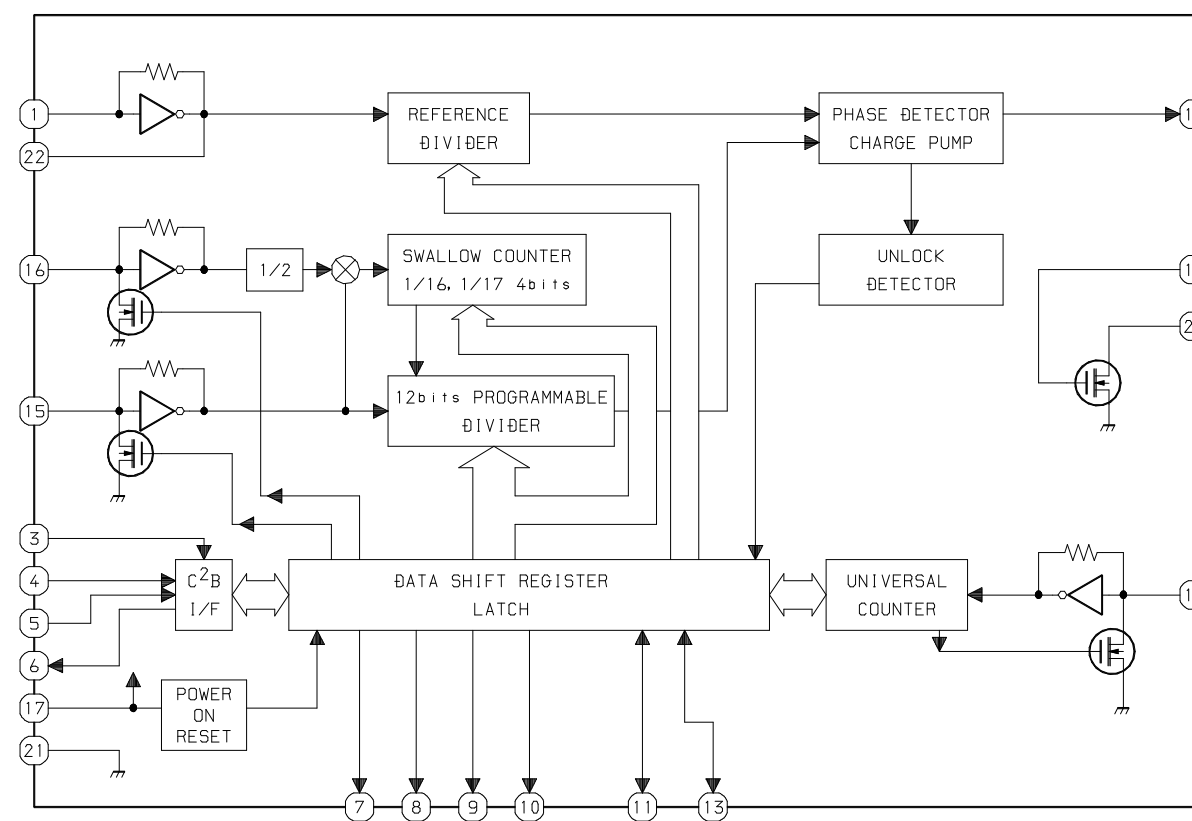
IC, BU9990-03FS



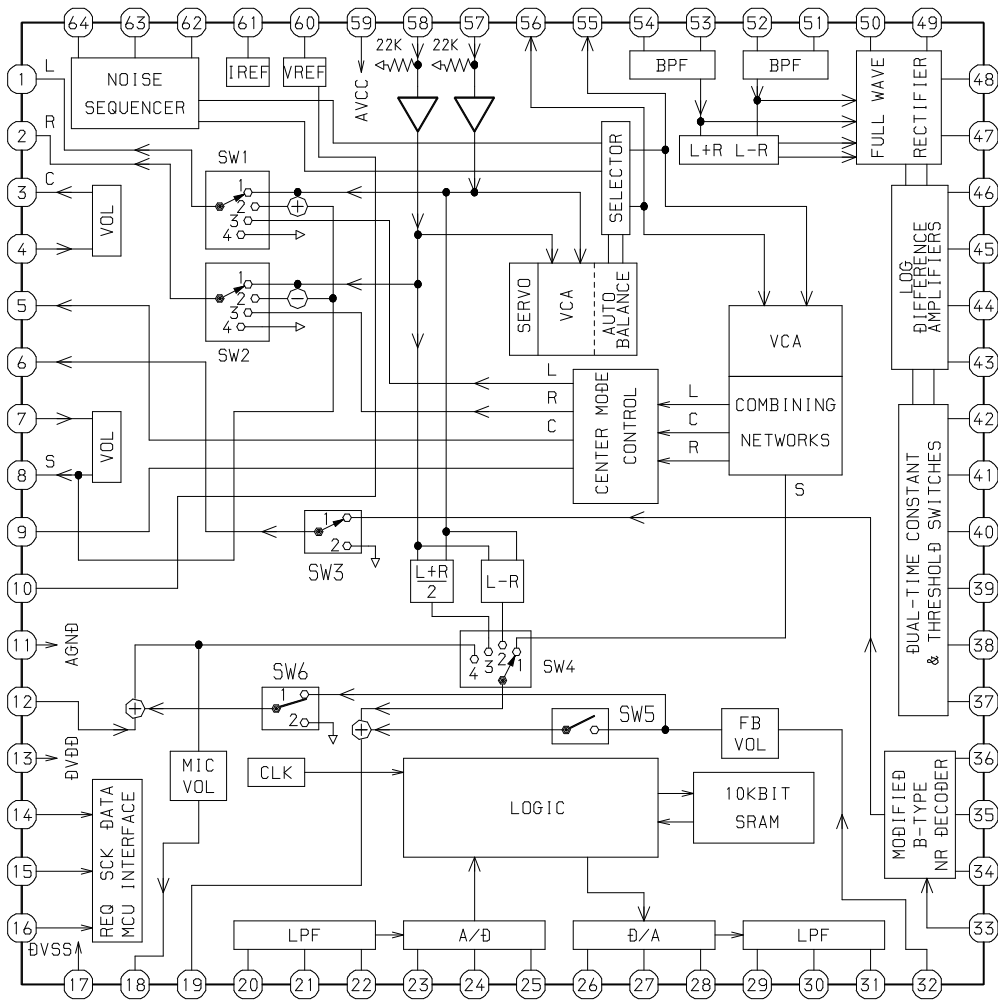
IC, BU2099FV



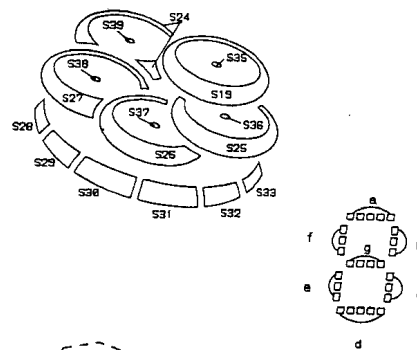
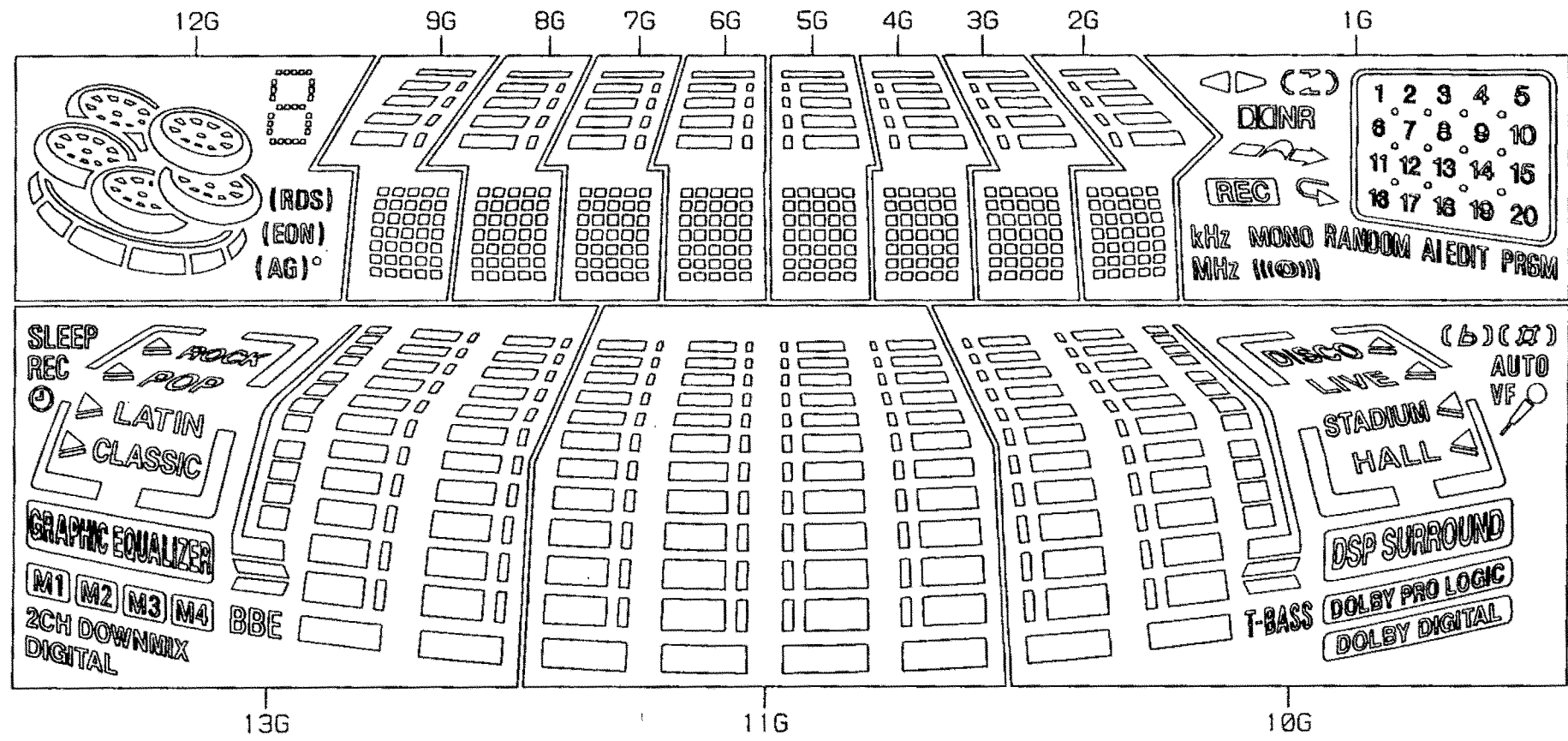
IC, LC72131D



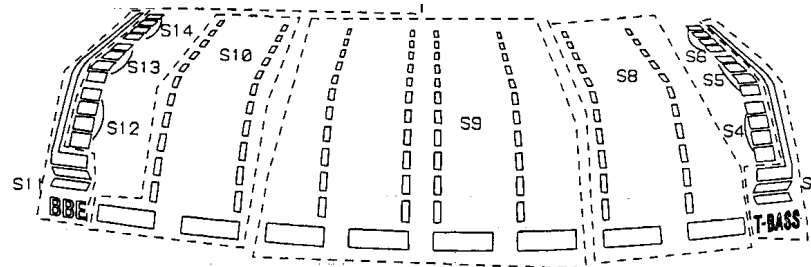
IC, M62463AFP



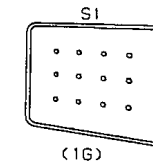
FL (BJ752GK-ANF3) GRID ASSIGNMENT AND ANODE CONNECTION
 GRID ASSIGNMENT



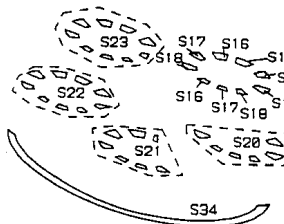
(12G)



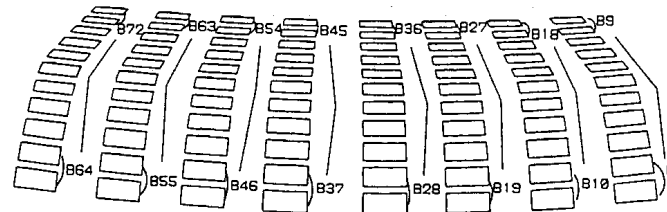
(13G, 11G, 10G)



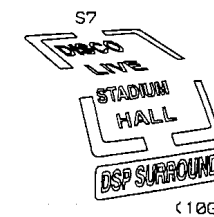
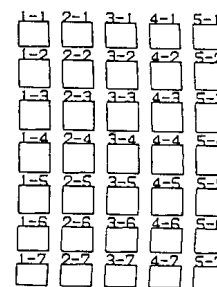
(1G)



(13G)



(9G-2G)



(10G)

ANODE CONNECTION

	13G	12G	11G	10G	9G~2G	1G
P1	S10	○	S9	S8	5-7	S1
P2	B72	() (AG)	B54	B18	4-7	PRGM
P3	B63	AG	B45	B9	3-7	AI
P4	B71	() (EON)	B36	B17	2-7	EDIT
P5	B62	EON	B27	B8	1-7	RANDOM
P6	B70	() (RDS)	B53	B16	5-6	MONO
P7	B61	RDS	B44	B7	4-6	MONO
P8	B69	S33	B35	B15	3-6	MHZ
P9	B60	S32	B26	B6	2-6	KHZ
P10	B68	S31	B52	B14	1-6)
P11	B59	S30	B43	B5	5-5	←
P12	B67	S29	B34	B13	4-5	⤵
P13	B58	S28	B25	B4	3-5	↶
P14	B66	S34	B51	B12	2-5	↷
P15	B57	S26	B42	B3	1-5	REC
P16	B65	S25	B33	B11	5-4	DCNR
P17	B56	S20	B24	B2	4-4	▶
P18	B64	S36	B50	B10	3-4	◀
P19	B55	S21	B41	B1	2-4	1
P20	S14	S37	B32	S6	1-4	2
P21	S13	S27	B23	S5	5-3	3
P22	S12	S22	B49	S4	4-3	4
P23	S11	S38	B40	S3	3-3	5
P24	S15	S24	B31	S7	2-3	6
P25	⏏ (ROCK)	S23	B22	⏏ (DISCO)	1-3	7
P26	⏏ (POP)	S39	B48	⏏ (LIVE)	5-2	8
P27	⏏ (LATIN)	S19	B39	⏏ (STADIUM)	4-2	9
P28	⏏ (CLASSIC)	S35	B30	⏏ (HALL)	3-2	10
P29	SLEEP	S16	B21	() (b)	2-2	11
P30	REC	S17	B47	() (#)	1-2	12
P31	Ⓜ	S18	B38	b & g	5-1	13
P32	M1	d	B29	AUTO	4-1	14
P33	M2	e	B20	VF	3-1	15
P34	M3	c	B46	Ⓜ PRO LOG	2-1	16
P35	M4	g	B37	Ⓜ PRO LOG	1-1	17
P36	2CH DOWNMIX	f	B28	-	B73	18
P37	DIGITAL	b	B19	-	B74	19
P38	-	a	-	-	B75	20
P39	-	-	-	-	S2	-

IC DESCRIPTION

IC, LC876572V-5R46

Pin No.	Pin Name	I/O	Description
1	CLK	O	Common serial CLOCK output.
2	DATA	O	Common Serial DATA output.
3	STB	O	Common serial STROBE output.
4	CS-RHYTHM	O	Rhythm IC chip select output.
5	GEQ-CE	O	GEQ IC chip enable output.
6	$\overline{\text{HP-MUTE}}$	I	Headphone plug-in detect input. (Output "L" at HOLD)
7	O-POWER	O	System power ON/ $\overline{\text{OFF}}$ output. (Active "H")
8	PLL-CE	O	Tuner PLL IC chip enable output.
9	O-MUTE	O	System mute ON/ $\overline{\text{OFF}}$ output.
10	I-MIC	I	Auto-VF MIC level special A/D input. (Output "L" at HOLD)
11	$\overline{\text{RESET}}$	I	Reset input.
12	VOL-JOG	I	Main volume JOG rotary encoder A/D input.
13	MULTI-JOG	I	MULTI JOG rotary encoder A/D input.
14	VSS1	–	Connected to GND.
15	CF 1	–	9.43MHz oscillator circuit.
16	CF2		
17	VDD1	–	Power supply.
18	$\overline{\text{HOLD}}$	I	Power supply voltage detect A/D input.
19 ~ 22	KEY 1 ~ 4	I	KEY 1 ~ 4 A/D input. (Output "L" at HOLD)
23	I-CDSW	I	CD mechanism SW A/D input. (Output "L" at HOLD)
24	I-DISH	I	CD turntable photo sensor A/D input. (Output "L" at HOLD)
25	I-SPEANA	I	SPEANA level A/D input. (Output "L" at HOLD)
26	I-RDSCLK/I-WRQ	I	TUNER RDS IC CLK (INT2) input / CD WRQ input. (Output "L" at HOLD&INI)
27	I-TU-SIG/ $\overline{\text{MS}}$	I	Tuner tuning signal level A/D input / Deck MS SENS. (Output "L" at HOLD)
28	I-TMBASE	I	Timebase clock (8Hz) input. (Output "L" at HOLD)
29	$\overline{\text{I-RMC}}$	I	Remote control signal input. Active: "L". (Output "L" at HOLD)
30 ~ 42	G13 ~ G1	O	FL grid G13 ~ G1 output.
43 ~ 45	P39 ~ P37	O	FL segment P39 ~ P37 output.
46	VDD3	–	Power supply.
47	P36/SPEANA A	O	FL segment P36 output / SPEANA band select output (A).
48	P35/SPEANA B	O	FL segment P35 output / SPEANA band select output (B).
49	P34/SPEANA C	O	FL segment P34 output / SPEANA band select output (C).
50	P33	O	FL segment P33 output.
51	VP	–	Power supply for FL.
52 ~ 59	P32 ~ P25	O	FL segment P32~ P25 output.
60	P24/NO AC-DEMO	I/O	FL segment P24 output / NO AC-DEMO at AC-IN diode input. (No store DEMO mode.)
61	P23/CASINO-DEMO	I/O	FL segment P23 output / CASINO-DEMO select diode input.
62	P22/NO-ECO	I/O	FL segment P22 output / NO-ECO select input.
63	P21/NO-RHYTHM	I/O	FL segment P21 output / NO-RHYTHM select diode input.
64	P20/AC3-DPL	I/O	FL segment P20 output / AC3-DPL select diode input. (Not used.)

Pin No.	Pin Name	I/O	Description
65	P19/K-CON	I/O	FL segment P19 output / K-CON select diode input.
66	P18/RDS	I/O	FL segment P18 output / RDS select diode input.
67	P17/FM1	I/O	FL segment P17 output / FM1 select diode input. (Not used.)
68	P16/SW	I/O	FL segment P16 output / SW step initial diode input.
69	P15/LW	I/O	FL segment P15 output / LW stereo select diode input.
70	P14/AM-10K	I/O	FL segment P14 output / AM-10K select diode input.
71	P13/AM-ST	I/O	FL segment P13 output / AM-ST select diode input. (Not used.)
72	VDD4	–	Power supply.
73~76	P12~P9	O	FL segment P12~P9 output.
77	P8/ $\overline{\text{RE}}\text{A}$	I/O	FL segment P8 output / REC enable (A) switch input (active: "L").
78	P7/ $\overline{\text{CST}}\text{1}$	I/O	FL segment P7 output / Cassette (1) switch.
79	P6/ $\overline{\text{CAM}}\text{1}$	I/O	FL segment P6 output / CAM (1) switch input (active: "L").
80	P5/AUTO2	I/O	FL segment P5 output / Auto stop reel (2) pulse input.
81	P4/AUTO1	I/O	FL segment P4 output / Auto stop reel (1) pulse input.
82	P3/ $\overline{\text{CAM}}\text{2}$	I/O	FL segment P3 output / CAM (2) switch input. (active: "L").
83	P2/ $\overline{\text{RE}}\text{B}$	I/O	FL segment P2 output / REC enable (B) switch input. (active: "L").
84	P1/ $\overline{\text{CST}}\text{2}$	I/O	FL segment P1 output / Cassette (2) switch input. (active: "L").
85	$\overline{\text{K-SCAN}}$	O	Key scan output. (active: "L").
86	$\overline{\text{SOL}}\text{1}$	O	DECK (1) solenoid $\overline{\text{ON}}/\text{OFF}$ output.
87	$\overline{\text{SOL}}\text{2}$	O	DECK (2) solenoid $\overline{\text{ON}}/\text{OFF}$ output.
88	$\overline{\text{O-MOTOR}}$	O	Deck motor $\overline{\text{ON}}/\text{OFF}$ output.
89	VSS2	–	Connected to GND.
90	VDD2	–	Power supply.
91	O-DISHREV	O	CD turn table dish reverse output.
92	O-DISHFWD	O	CD turn table dish forward output.
93	O-OPEN	O	CD tray open output.
94	O-CLOSE	O	CD tray close output.
95	IFC- $\overline{\text{TU}}$ /I-SQDATA	I	Tuner tune/IF count input (active: "L") / CD SUB-Q data input.
96	$\overline{\text{I-STEREO}}/\text{I-DRF}$ (O-CLK-VCD)	I/O	Tuner stereo detect input (active "L") / DRF input.
97	O-DATA(CD)/ I-RDS DATA	I/O	CD IC control data output / Tuner RDS data input. (Not used.)
98	CD-CE/ IO BUSY (VCD)	I/O	CD chip enable output.
99	CLK (CD)	O	CD IC control clock output.
100	STB(SHIFT)	O	Shift register strobe output.

ADJUSTMENT <TUNER/DECK/DISPLAY>

< TUNER SECTION >

1. Clock Frequency Check
Settings : • Test point : TP2 (CLK)
Method : Set to MW 1602kHz and check that the test point is 2052kHz \pm 45Hz.
2. MW VT Adjustment
Settings : • Test point : TP1 (VT)
• Adjustment location: L953
Method : Set to MW 1710kHz and adjust L953 so that the test point becomes 8.0V \pm 0.05V. Then set to MW 530kHz and check that the test point is more than 0.3V.
3. MW Tracking Adjustment
Settings : • Test point : TP8(Lch), TP9(Rch)
• Adjustment location :
L952 603kHz
TC941 1404kHz
Method : Set up TC941 to center before adjustment. The level at 603kHz is adjusted to max. by L952. Then the level at 1404kHz is adjusted to max. by TC941.
4. AM IF Adjustment
Settings : • Test point : TP8(Lch), TP9(Rch)
• Adjustment location :
L802 405kHz
5. SW VT Adjustment
Settings : • Test point : TP1 (VT)
• Adjustment location: L942
Method : Set to SW 17.9MHz and adjust L942 so that the test point becomes 8.0V \pm 0.2V. Then set to SW 5.73MHz and check that the test point is more than 0.3V.
6. SW Tracking Adjustment
Settings : • Test point : TP8(Lch), TP9(Rch)
• Adjustment location:
L941 5.9MHz
TC942 17.9MHz
Method : Set up TC942 to center before adjustment. The level at 5.9MHz is adjusted to max. by L941. Then the level at 17.9MHz is adjusted to max. by TC942.
7. FM VT Check
Settings : • Test point : TP1 (VT)
Method : Set to FM 87.5MHz, 108.0MHz and check that the test point is more than 0.5V (87.5MHz) and less than 8.0V (108.0MHz)
8. FM Tracking Check
Settings : • Test point : TP8(Lch), TP9(Rch)
Method : Set to FM 98.0MHz and check that the test point is less than 9dB μ V
9. DC Balance / Mono Distortion Adjustment
Settings : • Test point : TP3, TP4 (DC Balance)
TP8(Lch), TP9(Rch)
(Distortion)
• Adjustment location : L801
• Input level : 60dB μ V
Method : Set to FM 98.0MHz and adjust L801 so that the distortion is minimum. Then check the voltage between TP3 and TP4 is 0V \pm 0.3V

< DECK SECTION >

10. Tape Speed Adjustment
Settings : • Test tape : TTA-100(3kHz)
• Test point : TP10(Rch), TP11(Lch)
• Adjustment location : SFR1
Method : Play back the test tape and adjust SFR1 so that the frequency counter reads 3000Hz \pm 5Hz(FWD) and \pm 45Hz(REV) with respect to forward speed.
11. Head Azimuth Adjustment
Settings : • Test tape : TTA-300 (315/10kHz)
• Test point : TP10(Rch), TP11(Lch)
• Adjustment location : Head azimuth
adjustment screw
Method : Play back the 10kHz signal of the test tape and adjust screw so that the output becomes maximum. Next, perform on each FWD PLAY and REV PLAY mode.
12. PB Frequency Response Check (DECK 1, DECK 2)
Settings : • Test tape : TTA-300 (315/10kHz)
• Test point : TP10(Rch), TP11(Lch)
Method : Play back the 315Hz and 10kHz signals of the test tape and check that the output ratio of the 10kHz signal with respect to that of the 315Hz signal is within 0 \pm 2dB.
13. PB Sensitivity Adjustment (DECK 1, DECK 2)
Settings : • Test tape : TTA-200 (400Hz)
• Test point : TP10(Rch), TP11(Lch)
• Adjustment location : SFR301 (DECK 1, Lch)
SFR302 (DECK 1, Rch)
SFR303 (DECK 2, Lch)
SFR304 (DECK 2, Rch)
Method : Play back the test tape and adjust SFRs so that the output level of the test points become 245mV \pm 10mV.
14. REC/PB Frequency Response Adjustment (DECK 2)
Settings : • Test tape : TTA-602 (Normal)
• Test point : TP10(Rch), TP11(Lch)
• Input signal : 1kHz / 10kHz (LINE IN)
• Adjustment location : SFR351 (Lch)
SFR352 (Rch)
Method : Apply a 1kHz signal and REC mode. Then adjust OSC attenuator so that the output level at the test points becomes 12.5mV. Record and play back the 1kHz and 10kHz signals and adjust SFRs so that the output level of the 10kHz signals becomes 0dB \pm 0.5dB with respect to that of the 1kHz signal.
15. REC/PB Frequency response Check (DECK 2)
Settings : • Test tape : TTA-615 (CrO₂)
• Test point : TP10(Rch), TP11(Lch)
• Input signal : 1kHz/10kHz (LINE IN)
Method : Apply a 1kHz signal and REC mode. Then adjust OSC attenuator so that the output level at the test points becomes 12.5mV. Record and play back the 1kHz and 10kHz signals and check that the output is 0dB \pm 2dB.

16. REC/PB Sensitivity Adjustment (DECK 2)

- Settings :
- Test tape : TTA-602 (Normal)
 - Test point : TP10(Rch), TP11(Lch)
 - Input signal : 1kHz (LINE IN)
 - Adjustment location : SFR305 (Lch)
SFR306 (Rch)

Method : Apply a 1kHz signal and REC mode. Then adjust OSC attenuator so that the output level at the test points becomes 125mV. Record the play back the 1kHz signal and adjust SFRs so that the output level becomes $0\text{dB} \pm 0.5\text{dB}$

17. REC/PB Sensitivity Check (DECK 2)

- Settings :
- Test tape : TTA-615 (CrO₂)
 - Test point : TP10(Rch), TP11(Lch)
 - Input signal : 1kHz (LINE IN)

Method : Apply a 1kHz signal and REC mode. Then adjust OSC attenuator so that the output level at the test points becomes 125mV. Record and play back the 1kHz signal and check that the output is $0\text{dB} \pm 1.5\text{dB}$.

< DISPLAY SECTION >

18. μ -CON OSC Adjustment

- Settings :
- Test point : TP1(K-SCAN), TP2 (GND)
 - Adjustment location : L101

Method : Insert AC plug with pressing TUNER function key. Adjust L101 so that the frequency across the test point is $208.8\text{Hz} \pm 0.2\text{Hz}$.

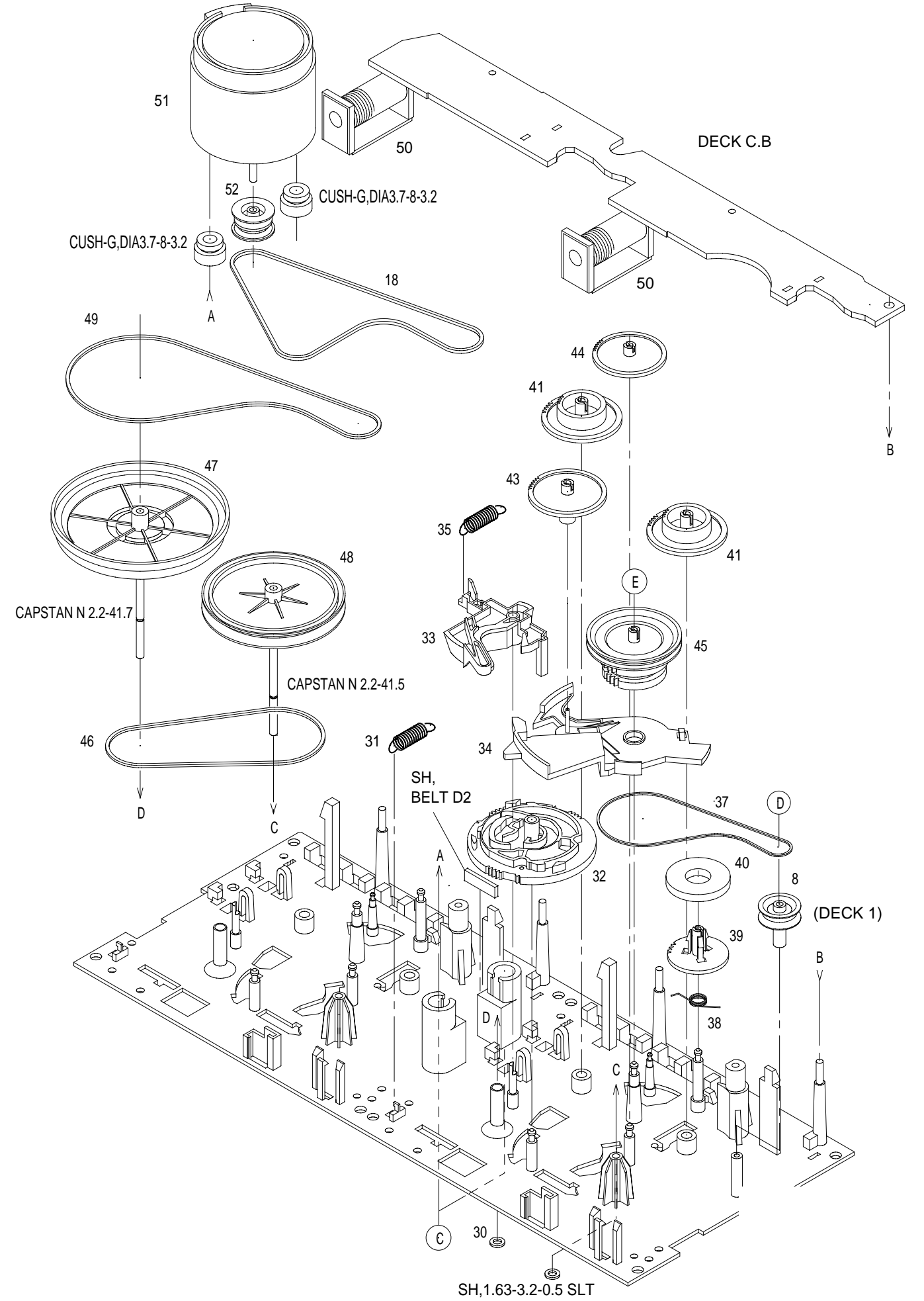
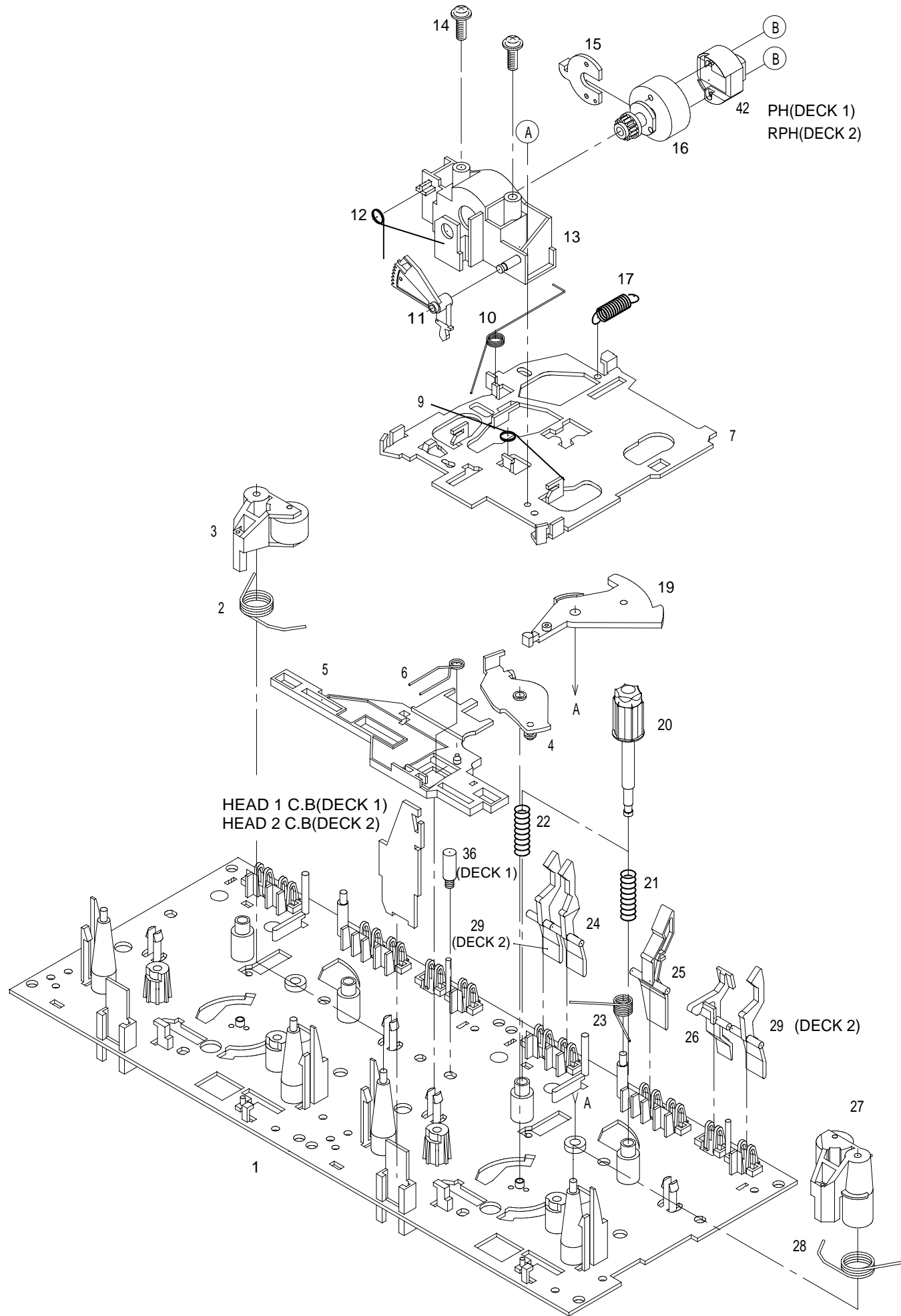
MECHANICAL PART LIST 1 / 1

REF. NO.	PART NO.	KANRI NO.	DESCRIPTION	REF. NO.	PART NO.	KANRI NO.	DESCRIPTION
1	88-NF3-090-010		RING, FOOT	46	8A-NF3-208-010		HLDR, CHAS L
2	8A-NH4-042-010		PANEL ASSY, TRAY	47	87-NF4-221-010		HLDR, CABLE
3	8A-NF3-029-010		BOX, CASS R	48	87-A91-423-010		FAN, AD0612DS-D7OGL
4	8A-NF3-040-010		PANEL, CASS R	49	87-A80-148-010		AC CORD ASSY, E BLK
5	8A-NF3-059-010		WINDOW, CASS R	50	87-A90-562-010		F-BEAD, 9.5-17.5-28.5 BRH
6	8A-NF3-039-010		PANEL, CASS L	51	87-085-185-010		BUSHING, AC CORD (E)
7	8A-NF3-058-010		WINDOW, CASS L	52	8A-NF8-206-010		HLDR, PWB M
8	8A-NF3-028-010		BOX, CASS L	53	8A-NF3-209-010		HLDR, CHAS R
9	8A-NF3-090-010		REFLECTOR, CASS L	54	8A-NF3-211-010		HLDR, SIDE R
10	81-532-080-010		LABEL, CASS. COMPT	55	8A-NHP-212-010		HLDR, PWB H21.5
11	8A-NF3-091-010		REFLECTOR, CASS R	56	8A-NF3-229-210		HLDR, BRACKET
12	8A-NF3-049-010		PANEL, KEY-CD	57	8Z-NF3-210-010		GUIDE, FL
13	8A-NF3-048-010		PANEL, REFLECTOR- CD	58	8A-NF3-212-010		HLDR, REAR
14	8A-NF3-047-010		PANEL, CD	59	84-ZG1-245-210		CAP, OPTICAL
15	8A-NF3-071-010		KEY, CD	60	8A-NH4-026-110		CABI, BOTTOM
16	8A-NF3-089-010		REFLECTOR, CD	61	8Z-NF3-048-010		COVER, BOTTOM
17	8A-NF3-203-010		GUIDE, LED-CD	62	82-NF5-219-010		SPR-T, EJECT 2 (SIN)
18	87-NF4-216-010		HLDR, LOCK 1	63	87-NF4-217-110		HLDR, LOCK 2
19	86-NF9-224-010		SPR-C, LOCK	64	87-064-185-010		HLDR, WIRE
20	82-NF5-229-010		PLATE, LOCK	65	8A-NF3-223-010		HLDR, FAN
21	87-NF8-220-010		DMPR, 150	66	87-A91-314-110		FAN, 3110GL-B4W-B34-H02
22	82-NF5-218-010		SPR-T, EJECT 1 (SIN)	67	8A-NHP-011-010		CABI, REAR VT-99
23	8A-NF3-082-010		KNOB, RTRY JOG	68	8A-NF3-228-010		HLDR, PWB-PT
24	8A-NF3-087-010		REFLECTOR, JOG	69	8A-NF3-027-010		CABI, STEEL
25	8A-NF3-077-010		RING, JOG H	A	87-067-703-010		TAPPING SCREW, BVT2+3-10
26	8A-NF3-081-010		KNOB, RTRY VOL	B	87-067-581-010		TAPPING SCREW, BVT2+3-15
27	8A-NF3-076-010		RING, VOL	C	87-721-097-410		QT2+3-12 GLD
28	8A-NHP-001-010		CABI, FR	D	87-591-095-410		TAPPING SCREW, QIT+3-8 (GLD)
29	8A-NHP-051-010		WINDOW, DISP VT-99	E	87-B10-190-010		BVT2+3-22 W/O SLOT
30	8A-NHP-031-010		PANEL, FR H	F	87-067-689-010		TAPPING SCREW, BVT+3-8
31	8A-NF3-063-010		KEY ASSY, OPE	G	87-067-761-010		TAPPING SCREW, BVT2+3-10
32	8A-NH4-066-010		KEY, PBC	H	87-NF4-224-010		S-SCREW, IT3B+3-8 CU
33	8A-NFR-065-010		KEY, PRO-LOGIC	I	87-721-096-410		QT2+3-10 GLD
34	8A-NF3-067-010		KEY, BBE	J	87-067-758-010		BVT2+3-12 W/O SLOT
35	8A-NF3-061-010		KEY, GEQ	K	87-067-975-010		S-SCREW, IT+4-8
36	8A-NF3-062-010		KEY, DSP	L	87-067-641-010		UTT2+3-8(W/O SLOT)BL
37	8A-NF3-201-010		GUIDE, LED-FUNC	M	87-067-579-010		TAPPING SCREW, BVT2+3-8
38	8A-NFR-072-010		KEY, FUNC PRO	N	87-B10-287-010		BVT2+3-33 W/O SLOT
39	8A-NF3-088-010		REFLECTOR, FUNC				
40	8A-NF3-068-010		KEY, JOG				
41	8A-NF3-069-010		KEY, SPICE				
42	8A-NF3-070-010		KEY, ECO				
43	8A-NF3-213-110		HLDR, HT-SINK L				
44	8A-NF3-214-010		HLDR, HT-SINK R				
45	8A-NF3-210-010		HLDR, SIDE L				

COLOR NAME TABLE

Basic color symbol	Color	Basic color symbol	Color	Basic color symbol	Color
B	Black	C	Cream	D	Orange
G	Green	H	Gray	L	Blue
LT	Transparent Blue	N	Gold	P	Pink
R	Red	S	Silver	ST	Titan Silver
T	Brown	V	Violet	W	White
WT	Transparent White	Y	Yellow	YT	Transparent Yellow
LM	Metallic Blue	LL	Light Blue	GT	Transparent Green
LD	Dark Blue	DT	Transparent Orange	GM	Metallic Green
YM	Metallic Yellow	DM	Metallic Orange		

TAPE MECHANISM EXPLODED VIEW 1 / 1



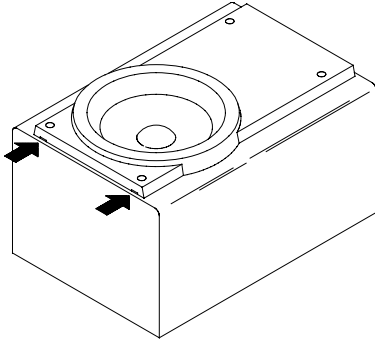
TAPE MECHANISM PARTS LIST 1 / 1

REF. NO.	PART NO.	KANRI NO.	DESCRIPTION	REF. NO.	PART NO.	KANRI NO.	DESCRIPTION
1	82-ZM3-301-610	1H	CHAS ASSY,M2	37	86-ZM1-206-010	0E	BELT,MAIN L
2	82-ZM1-258-210	0E	SPR-T,PINCH L	38	82-ZM1-322-010	0E	SPR-T,FR 60
3	82-ZM1-341-210	1A	LVR ASSY, PINCH L2	39	82-ZM1-220-210	0E	GEAR, IDLER
4	82-ZM1-333-210	0E	PLATE, LINK2	40	82-ZM3-616-010	0E	RING MAGNET 4
5	82-ZM1-266-310	0E	LVR, DIR	41	82-ZM1-216-410	0E	GEAR, REEL
6	82-ZM1-214-010	0E	SPR-T, DIR	42	87-A90-820-010	1D	HEAD, PH HADKH25 FPC
7	82-ZM1-206-910	1A	CHAS, HEAD	42	87-A90-821-010	1H	HEAD, RPH HADKH56 FPC
8	82-ZM3-335-310	0E	PULLEY, COUPLER M3	43	82-ZM1-225-210	0E	GEAR, FR
9	82-ZM1-269-210	0E	SPR-T, BRG	44	82-ZM1-226-010	0E	GEAR, REW
10	82-ZM1-219-110	0E	SPR-T, LINK	45	82-ZM3-333-310	1A	SLIP DISK ASSY 2
11	82-ZM1-210-110	0E	GEAR, H T	46	82-ZM1-338-110	0E	BELT, FR 4
12	82-ZM1-213-010	0E	SPR-T, HEAD	47	82-ZM1-237-610	1A	FLY-WHL ASSY, R
13	82-ZM1-207-910	1A	GUIDE, TAPE	47	09-001-420-010	0E	FLY-WHL, R ASSY
14	86-ZM4-206-010	0E	S-SCREW, AZIMUTH L	48	82-ZM3-234-310	1A	FLY-WHL ASSY, L
15	82-ZM1-314-110	0E	PLATE, HEAD				
16	82-ZM1-208-310	0E	HLD, HEAD	49	82-ZM3-329-410	0E	BELT, SBU R2
17	82-ZM1-218-010	0E	SPR-E, HB	50	82-ZM1-618-410	1B	SOL ASSY, 27
18	82-ZM3-342-010	0E	BELT, SBU MOT 3	51	87-045-347-010	1H	MOT, SHU2L 70
19	82-ZM1-222-210	0E	LVR, PLAY	52	82-ZM3-221-210	0E	PULLEY, MOT 2M
20	82-ZM1-217-410	0E	REEL TABLE	A	85-ZM3-202-010	0E	S-SCREW, TG
21	82-ZM1-244-510	0E	SPR-C, BT	B	80-ZM6-207-010	0E	V+1.6-7
22	82-ZM1-285-410	0E	SPR-C, BT L	C	82-ZM3-318-110	0E	S-SCREW W, MOTOR M2
23	82-ZM1-257-010	0E	SPR-T, CAS	D	87-B10-043-010	0E	W-P, 0.99-4-0.25 SLT
24	82-ZM1-241-310	0E	LVR, MC	E	82-ZM3-334-010	0E	PW 2.16-6-0.4
25	82-ZM1-242-010	0E	LVR, CAS				
26	82-ZM1-243-010	0E	LVR, STOP				
27	82-ZM1-344-210	0E	LVR ASSY, PINCH R2				
28	82-ZM1-259-210	0E	SPR-T, PINCH R				
29	82-ZM1-240-110	0E	LVR, REC (*)				
30	80-ZM6-243-010	0E	SH 1.75-3.6-0.5 SLT				
31	82-ZM1-255-310	0E	SPR-E, LVR DIR				
32	82-ZM3-305-210	0E	GEAR, CAM M2				
33	82-ZM1-227-310	0E	LVR, TRIG				
34	82-ZM3-306-110	0E	LVR, FR M2				
35	82-ZM1-265-310	0E	SPR-E, TRIG				
36	82-ZM3-339-110	0E	SHAFT, COUPLER N3				

SPEAKER DISASSEMBLY INSTRUCTIONS

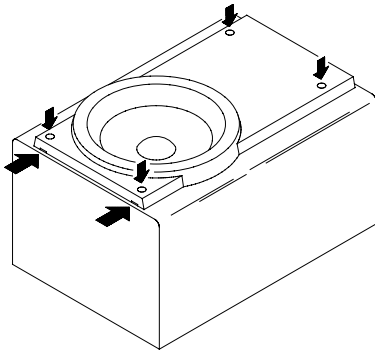
Type.1

Insert a flat-bladed screwdriver into the position indicated by the arrows and remove the panel. Remove the screws of each speaker unit and then remove the speaker units.



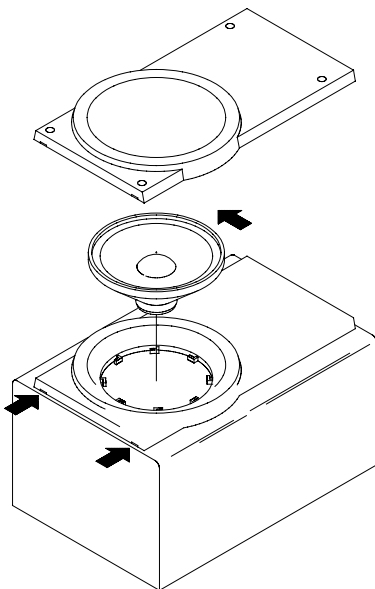
Type.2

Remove the grill frame and four pieces of rubber caps by pulling out with a flat-bladed screwdriver. Remove the screws from hole where installed rubber caps. Insert a flat-bladed screwdriver into the position indicated by the arrows and remove the panel. Remove the screws of each speaker unit and then remove the speaker units.

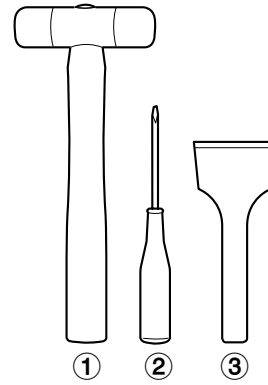


Type.3

Insert a flat-bladed screwdriver into the position indicated by the arrows and remove the panel. Turn the speaker unit to counter-clockwise direction while inserting a flat-bladed screwdriver into one of the hollows around speaker unit, and then remove the speaker unit. After replacing the speaker unit, install it turning to clockwise direction until "click" sound comes out.



Type.4



TOOLS

- ① Plastic head hammer
- ② (⊖) flat head screwdriver
- ③ Cut chisel

How to Remove the PANEL, FR

1. Insert the (⊖) flat head screwdriver tip into the gap between the PANEL, FR and the PANEL, SPKR. Tap the head of the (⊖) flat head screwdriver with the plastic hammer head, and create the clearance as shown in Fig-1.
2. Insert the cut chisel in the clearance, and tap the head of the cut chisel with plastic hammer as shown in Fig-2, to remove the PANEL, FR.
3. Place the speaker horizontally. Tap head of the cut chisel with plastic hammer as shown in Fig-3, and remove the PANEL, FR completely.

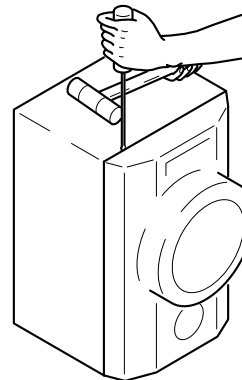


Fig-1

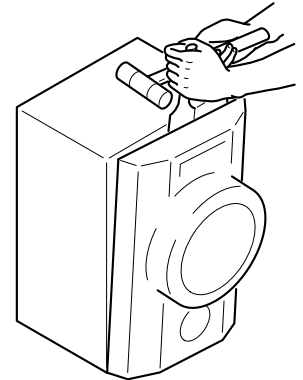


Fig-2

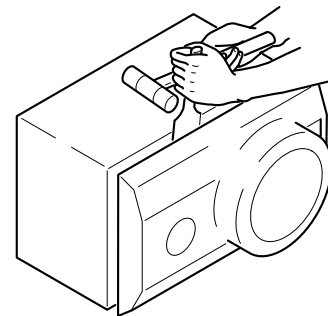


Fig-3

How to Attach the PANEL, FR

Attach the PANEL, FR to the PANEL, SPKR. Tap the four corners of the PANEL, FR with the plastic hammer to fit the PANEL, FR into the PANEL, SPKR completely.

SPEAKER PARTS LIST SX-WWST77 <YJSL>

REF. NO.	PART NO.	KANRI NO.	DESCRIPTION	REF. NO.	PART NO.	KANRI NO.	DESCRIPTION
1	8A-NS4-001-010		PANEL,FR	11	88-NS5-611-010		CORD,SPKR B/L
2	8A-NS4-007-010		PANEL,TW L	12	8A-NS4-019-010		PANEL,DUCT RING G
3	8A-NS4-006-010		PANEL,TW R	13	8A-NS4-004-010		PANEL,DUCT
4	8A-NS4-013-010		PROTECTOR,TW				
5	88-NS3-602-110		SPKR,W 200				
6	8A-NS4-602-010		SPKR,M 120				
7	8A-MS2-605-110		SPKR,TW 60				
8	88-NSK-610-010		SPKR,CERAMIC ASSY				
9	8A-NS4-009-010		GRILLE,FRAME ASSY				
10	88-NS5-610-010		CORD,SPKR				

SPEAKER PARTS LIST SX-CR2700 <YJSC>

NOTE: This SX-CR2700 Speaker contains SX-C2700 (Center Speaker) and SX-R2700 (Rear Speaker)

REF. NO.	PART NO.	KANRI NO.	DESCRIPTION
1	8A-AS3-001-010		CABI,FR
2	8A-AS3-003-010		GRILLE,FRAME ASSY
3	8A-AS3-006-010		CABI,FR C
4	8A-AS3-007-110		CABI,REAR C
5	8A-AS3-008-010		GRILLE,FRAME ASSY C
6	8A-AS3-601-010		SPKR,100
7	8A-AS3-602-010		SPKR,100
8	8A-AS3-011-010		TERMINAL, ASSY
9	8A-AS3-603-010		SPKR, CORD 20M

ACCESSORIES / PACKAGE LIST

REF. NO.	PART NO.	KANRI NO.	DESCRIPTION
1	8A-NHP-901-010		IB,H EC-H M
2	87-006-226-010		AM LOOP ANT CO
3	87-043-115-010		ANT,FEEDER FM
4	87-050-103-010		CORD, PIN 1PY1.5M
5	87-A90-119-010		ANT,WIRE SW (5M)
△ 6	87-A91-017-010		PLUG CONVERSION JT-0476
7	8Z-NHT-702-010		RC UNIT,RC-ZAS08

アイワ株式会社 〒110-8710 東京都台東区池之端1-2-11 ☎03(3827)3111 (代表)
AIWA CO.,LTD. 2-11, IKENOHATA 1-CHOME, TAITO-KU, TOKYO 110, JAPAN TEL:03 (3827) 3111