



# RADIO CORPORATION PTY. LTD.

DIVISION OF ELECTRONIC INDUSTRIES LTD.

126-130 GRANT STREET, SOUTH MELBOURNE, S.C.A.

BULLETIN R-5

File: Installation

Receiver

Date: 22-10-46

Page 1

## TECHNICAL BULLETIN

SUBJECT--

### Installation Instructions

for

6 Valve Single Unit Car Radio Receivers

Models "JL" (6 volt) and "JM" (12 volt)

### RECEIVER-PRELIMINARY TEST

The receiver may be installed on any car with Positive or Negative ground without any changes of wiring.

Before permanently installing the receiver in the car, remove the front section of the can to make sure that all the tubes and the vibrator are pushed well down into their sockets. Refit front section.

If a storage battery is available, having the same voltage as that of the receiver, carry out a preliminary test for normal operation. The receiver may be placed on the footboard of the car with the antenna lead and control unit temporarily connected for this test.

### MOUNTING RECEIVER

The receiver is designed to be mounted on the fire wall of the car, and and at a convenient height to allow the control cables to make a direct connection or a gradual downward sweep with as wide a bend as possible.

The control cables should be tentatively mounted on the instrument panel while the mounting position for the receiver is being determined, bearing in mind the fittings on both sides of the fire wall, and making sure that no rods or wires will touch the receiver case.

When the position of the receiver has been decided, mark the positions of the receiver mount bolt holes on the fire wall of the car, using the drilling template supplied with the receiver. Drill two 5/16" dia. holes at the positions indicated on the template, and thoroughly clean off all paint and grease from around the holes on the engine side of the fire wall to ensure that nuts and washers make a good ground connection. Mount receiver in position with the two mounting bolts provided. Care should be taken when mounting on a formed fire wall not to overstrain the mounting to prevent distorting the receiver can. (Refer diagram. Fig. 1)



# RADIO CORPORATION PTY. LTD.

DIVISION OF ELECTRONIC INDUSTRIES LTD.

126-130 GRANT STREET, SOUTH MELBOURNE, S.C.4.

## TECHNICAL BULLETIN

BULLETIN R-5

File:-Installation  
Receiver.

Date: 22/10/46.

Page 3.

SUBJECT--

### RECEIVER LEAD CONNECTIONS

Refer to diagram Fig. 2

1. Plug the end of the antenna lead-in into the receiver lead-in socket.
2. Insert the single prong plug of the shielded lead on tuning control unit into the tone control socket situated in front of the battery lead on receiver case.
3. Plug the dial lamp lead from tuning control unit into the rubber grommet behind battery lead on receiver case.
4. Fasten the clip on the receiver battery lead to the BATTERY SIDE OF THE AMMETER, making sure that all ammeter connections are clean and bright before fastening the clip.

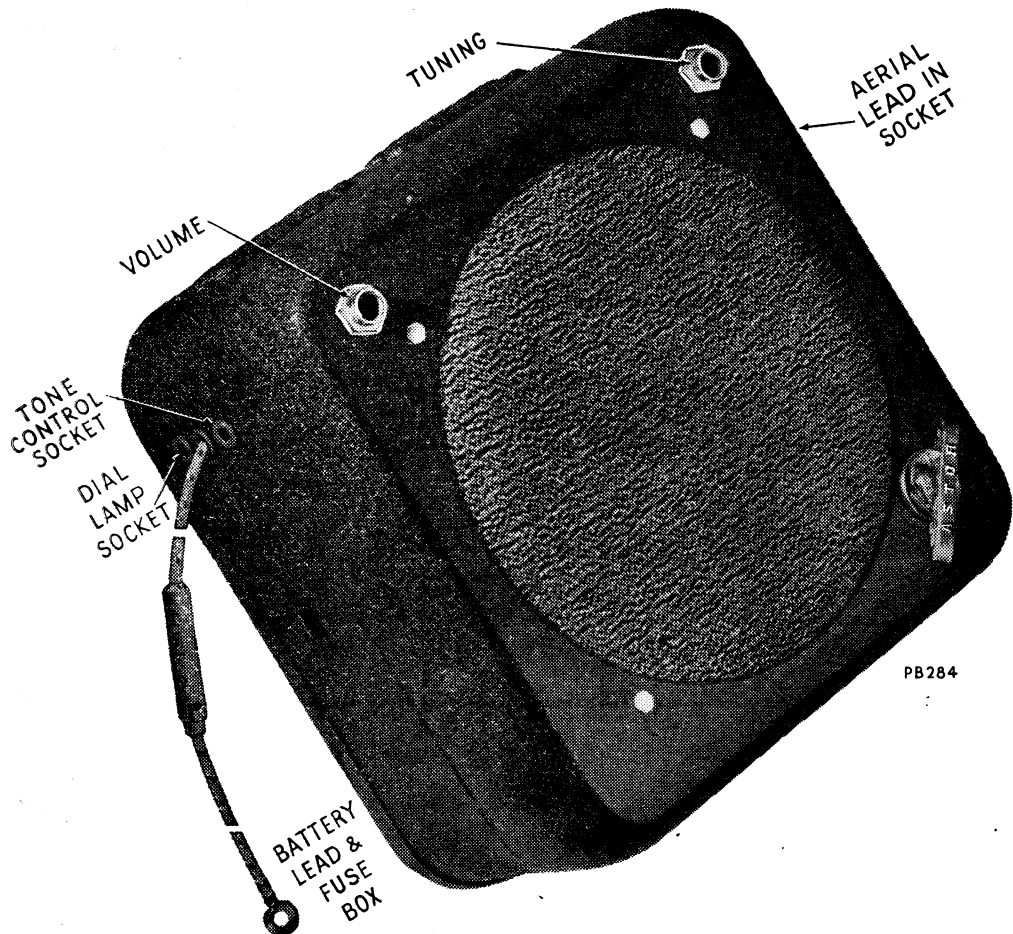


Fig. 2

SUBJECT

RECEIVER ADJUSTMENT

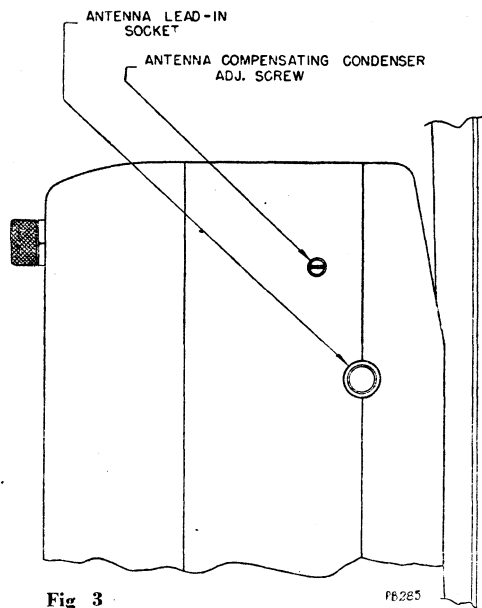
Antenna Compensating Condenser. (Refer to Diagram Fig. 3)

The antenna compensating condenser, when correctly adjusted, ensures that the antenna installed in the car is matched to the receiver.

Antenna Compensating Condenser Adjustment.

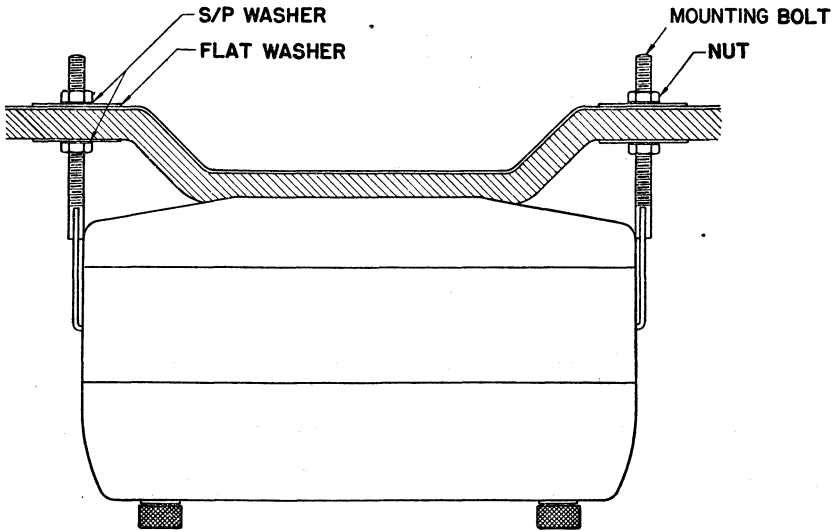
- (a) Tune the receiver to a barely audible station operating on a frequency near 600 Kc., volume control at maximum volume.
- (b) Insert a screw driver through the small hole near the antenna lead-in socket, and engage the head of the condenser adjusting screw.
- (c) Turn the adjusting screw clockwise or anti-clockwise until maximum volume is obtained on the barely audible station being received. Retune this station and repeat condenser.

Balancing the antenna to match the receiver reduces background noise on stations, increases the range of the receiver, and makes possible the reception of weak stations which otherwise would not be heard.

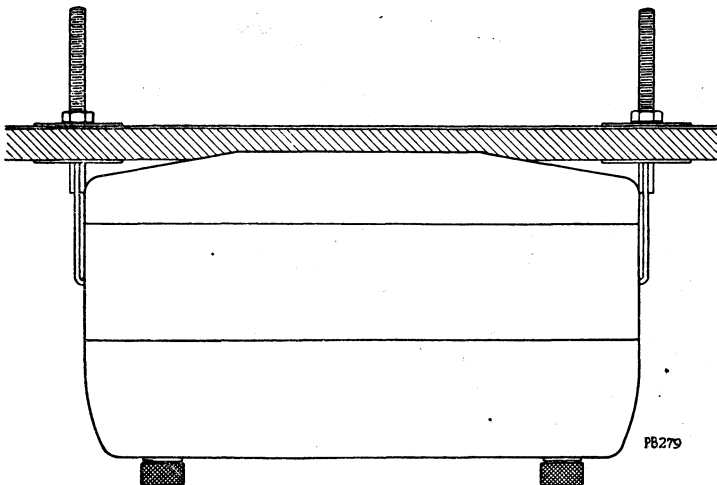


SUBJECT--

MOUNTING DIAGRAM



PLAN VIEW OF RECEIVER MOUNTED ON FORMED FIRE WALL



PLAN VIEW OF RECEIVER MOUNTED ON FLAT FIRE WALL



# RADIO CORPORATION PTY. LTD.

DIVISION OF ELECTRONIC INDUSTRIES LTD.

126-130 GRANT STREET, SOUTH MELBOURNE, S.C.4.

## TECHNICAL BULLETIN

BULLETIN R-5

File:-Installation  
Receiver.

Date: 22/10/46.

Page 3.

SUBJECT--

### RECEIVER LEAD CONNECTIONS

Refer to diagram Fig. 2

1. Plug the end of the antenna lead-in into the receiver lead-in socket.
2. Insert the single prong plug of the shielded lead on tuning control unit into the tone control socket situated in front of the battery lead on receiver case.
3. Plug the dial lamp lead from tuning control unit into the rubber grommet behind battery lead on receiver case.
4. Fasten the clip on the receiver battery lead to the BATTERY SIDE OF THE AMMETER, making sure that all ammeter connections are clean and bright before fastening the clip.

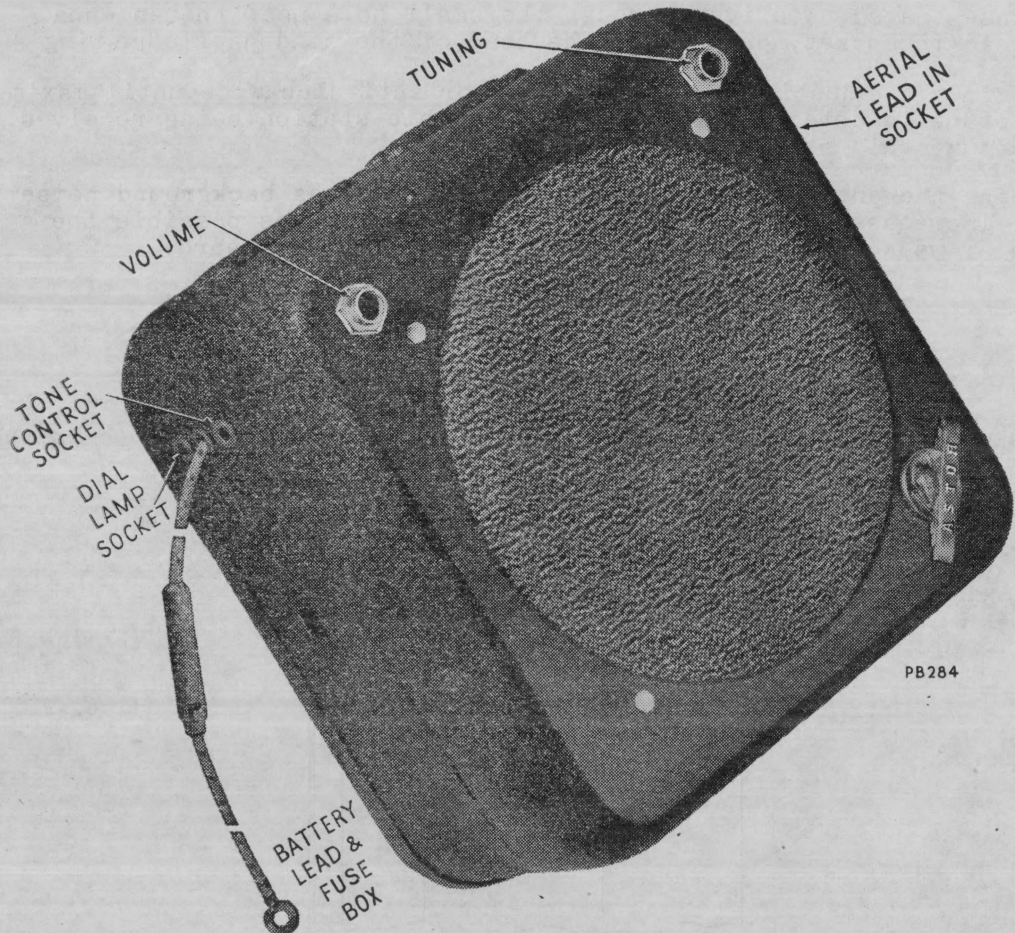


Fig. 2