

brother®

PARTS REFERENCE LIST

MODEL: DP-525CJ/LW-800ic/LW-800icPLUS

REVISED EDITION

MECHANISMS & ELECTRONICS

NOTES FOR USING THIS PARTS REFERENCE LIST

1. In the case of ordering parts, it needs mentioning the following items:

- (1) Code
- (2) Q'ty
- (3) Description
- (4) Symbol (PCB No., Revision , and Parts location mounted on the PCB.)

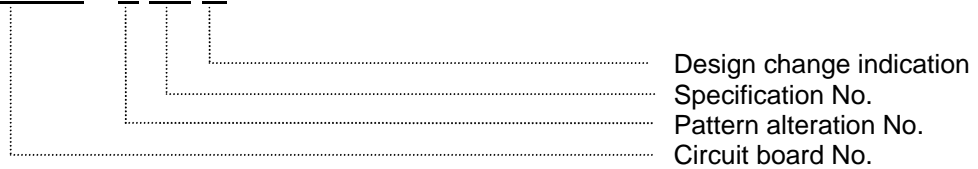
Note : No orders without Parts Code or Tool No. can be accepted.

[Example]

REF. NO.	SYMBOL	CODE	Q'TY	DESCRIPTION	REMARKS

Revision No. : marked on the printed circuit board.

B48J300 - 1 01 A



2. Design-changed parts:

When the parts are changed, any one of the following symbols is indicated in the REMARKS column.

- CHNG#A : compatible between old and new
- CHNG#B : replaceable from old to new
- CHNG#D : incompatible
- ADD : newly established

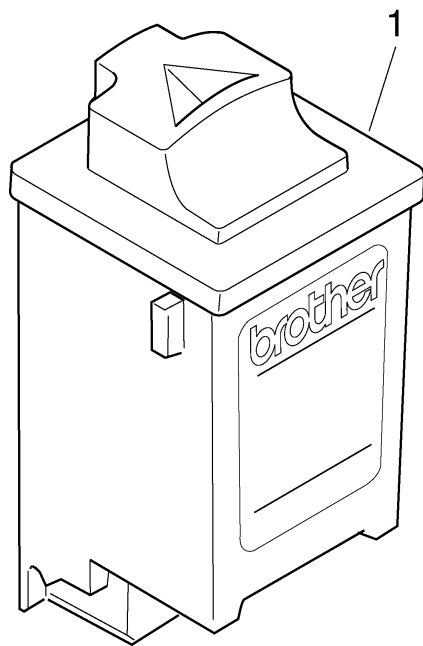
3. The original of this list was made based on the information available in August, '98.

4. Parts are subject to change in design without prior notice.

CONTENTS

1 . PRINT HEAD ASSEMBLY.....	1
2 . CHASSIS ATTACHMENTS.....	3
3 . COVERS.....	7
4 . DETECTOR SWITCH	9
5 . AC ADAPTER.....	11
6 . MAIN PCB	13
7 . POWER SUPPLY PCB	17
8 . LCD.....	19
9 . FLOPPY DISK DRIVE	21
10 . ACCESSARY.....	23
11 . PRINTED MATTERS.....	25
12 . PACKING MATERIALS	27
13 . KEYBOARD UNIT(LIST)	29
13-1 . KEYBOARD UNIT/USA.....	31
13-2 . KEYBOARD UNIT/GERMAN	32
13-3 . KEYBOARD UNIT/UK	33
13-4 . KEYBOARD UNIT/CANADA	34
13-5 . KEYBOARD UNIT/FRENCH	35
13-6 . KEYBOARD UNIT/HOLLAND	36

1 . PRINTHEAD ASSEMBLY

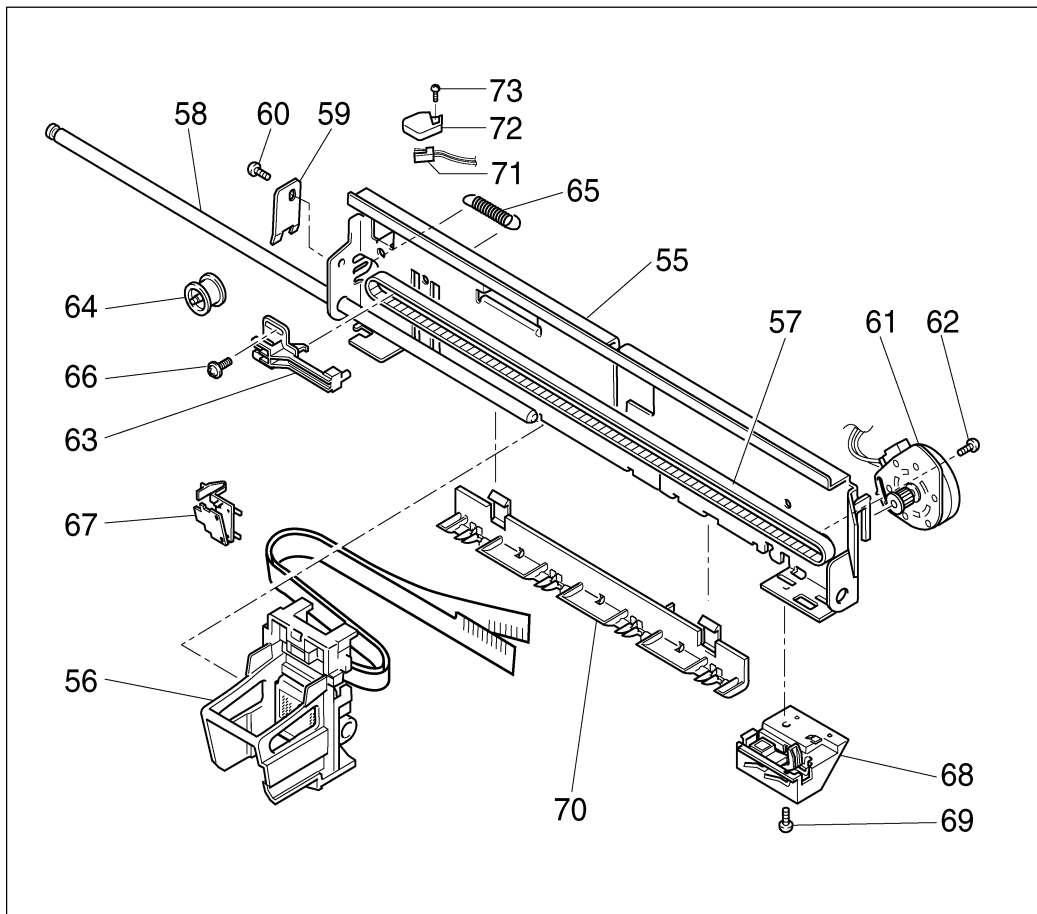
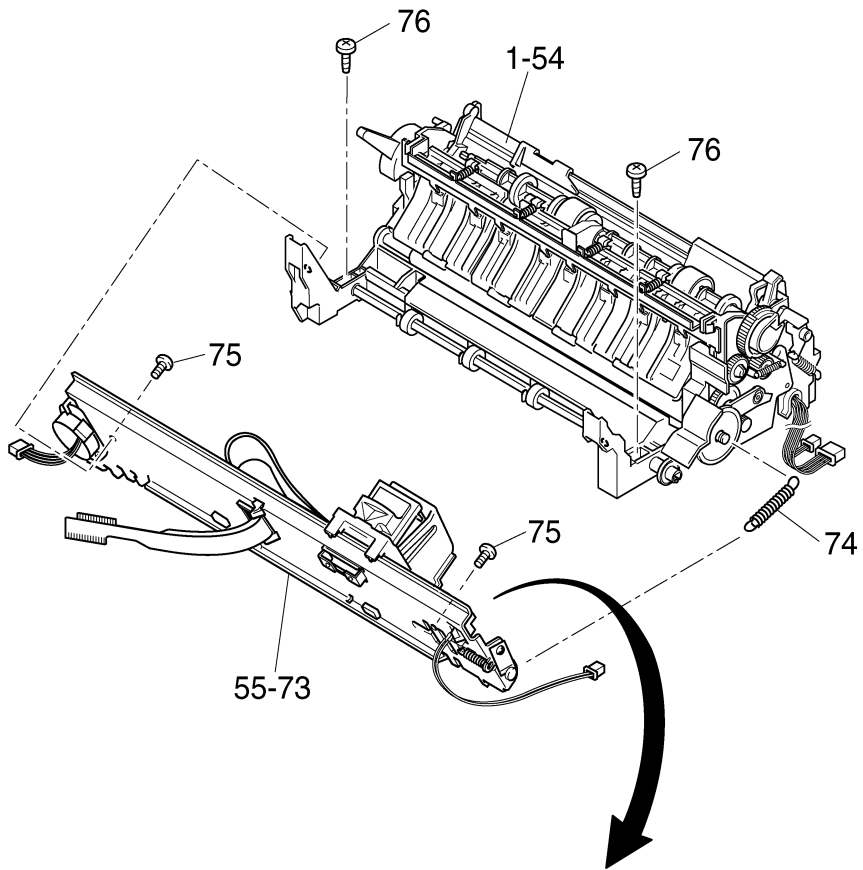


1 . PRINT HEAD ASSEMBLY

REF.NO.	CODE	Q'TY	DESCRIPTION	REMARKS
1	US3362001	1	PRINT HEAD ASSY 2, MONO	
1	US3363001	1	PRINT HEAD ASSY 2, COLOR	

MODEL DP-525CJ,LW800ic,LW-800icPLUS 53T-400-017

2 . CHASSIS ATTACHMENTS



2 . CHASSIS ATTACHMENTS

REF.NO.	CODE	Q'TY	DESCRIPTION	REMARKS
1-54	US2886001	1	PF UNIT	
1	US2887001	1	PF BASE ASSY	
2	US2970001	1	PE SENSOR	
3	US2971001	1	SENSOR HARNESS	
4	US2890001	1	PF STOPPER	
5	US2891001	1	STOPPER SPRING	
6	US2892001	1	PF MOTOR FRAME ASSY	
7	US3198001	1	PF MOTOR	
8	000300515	2	SCREW, BIND M3X5	
9	U06923001	1	TAPTITE, BIND B M3X10	
10	085312015	1	TAPTITE, BIND B M3X20	
11	US2898001	1	PF ROLLER ASSY	
12	US2900000	1	PF ROLLER GEAR	
13	048040346	2	RETAINING RING, E4	
14	US2902001	1	SPRING R	
15-16	US2903001	1	CHANGE LEVER 2 ASSY	
15	US2904000	1	CHANGE LEVER 2	
16	US2905000	1	IDLE GEAR 3	
17	US2906000	1	IDLE GEAR 2	
18-20	US2907001	1	CHANGE LEVER 1 ASSY	
18	US2908000	1	CHANGE LEVER 1	
19	US2905000	1	IDLE GEAR 3	
20	US2909001	1	WASHER, SPRING	
21	US2910000	1	IDLE GEAR 5	
22	US2911000	1	IDLE GEAR 6	
23	US2912000	1	IDLE GEAR 1	
24	048030346	1	RETAINING RING, E3	
25-26	US2913001	1	EJECT ROLLER ASSY	
25	US2914001	1	EJECT ROLLER SHAFT	
26	US2915001	4	EJECT ROLLER	
27	US2916000	1	EJECT ROLLER GEAR	
28	US2925000	1	HOLDER PLATE	
29	US2926001	1	ROLLER HOLDER R	
30	US2927001	2	ROLLER HOLDER M	
31	US2928001	1	ROLLER HOLDER L	
32	US3153001	4	PRESSURE ROLLER	
33	US2929001	1	PRESSURE ROLLER SPRING A	
34	US2930000	1	IDLE GEAR 4	
35	US2931001	1	ACF SHAFT ASSY	
36	US2936001	1	SPRING	
37	US2937000	1	ACF SHAFT STOPPER	
38	U06923001	1	TAPTITE, BIND B M3X10	
39	US2938000	1	ACF SHAFT LOCKER	
40	US2939001	1	LOCKER SPRING	
41	US2940001	1	RELEASE SHAFT	
42	US2941021	1	RELEASE LEVER, GRAY1251	
43	US2942001	1	RELEASE SPRING	
44	US2944001	1	FORM	
45	US2945001	1	SPACER	
46	U06923001	1	TAPTITE, BIND B M3X10	
47-49	US2917021	1	HOPPER ASSY	
47	US2918021	1	HOPPER, GRAY1251	
48	US2919001	2	SEPARATE PAD	
49	US2923021	1	PAPER GUIDE, GRAY1251	
50	US2920001	1	ACF CHANGE SHAFT	
51	US2921021	1	ACF CHANGE LEVER, GRAY1251	
52	US2922001	1	CHANGE SPRING	
53	US2924001	2	HOPPER SPRING	
54	US3468001	3	PRESSURE ROLLER SPRING B	
55-73	US2946001	1	CA UNIT	
55	US2947000	1	CA FRAME	
56	US2948001	1	CARRIAGE ASSY	
57	US2955001	1	TIMING BELT	
58	US2956001	1	GUIDE SHAFT	
59	US0727000	1	MAIN SHAFT STOPPER	
60	085280515	1	TAPTITE, BIND S M2.6X5	
61	US2957001	1	CA MOTOR	

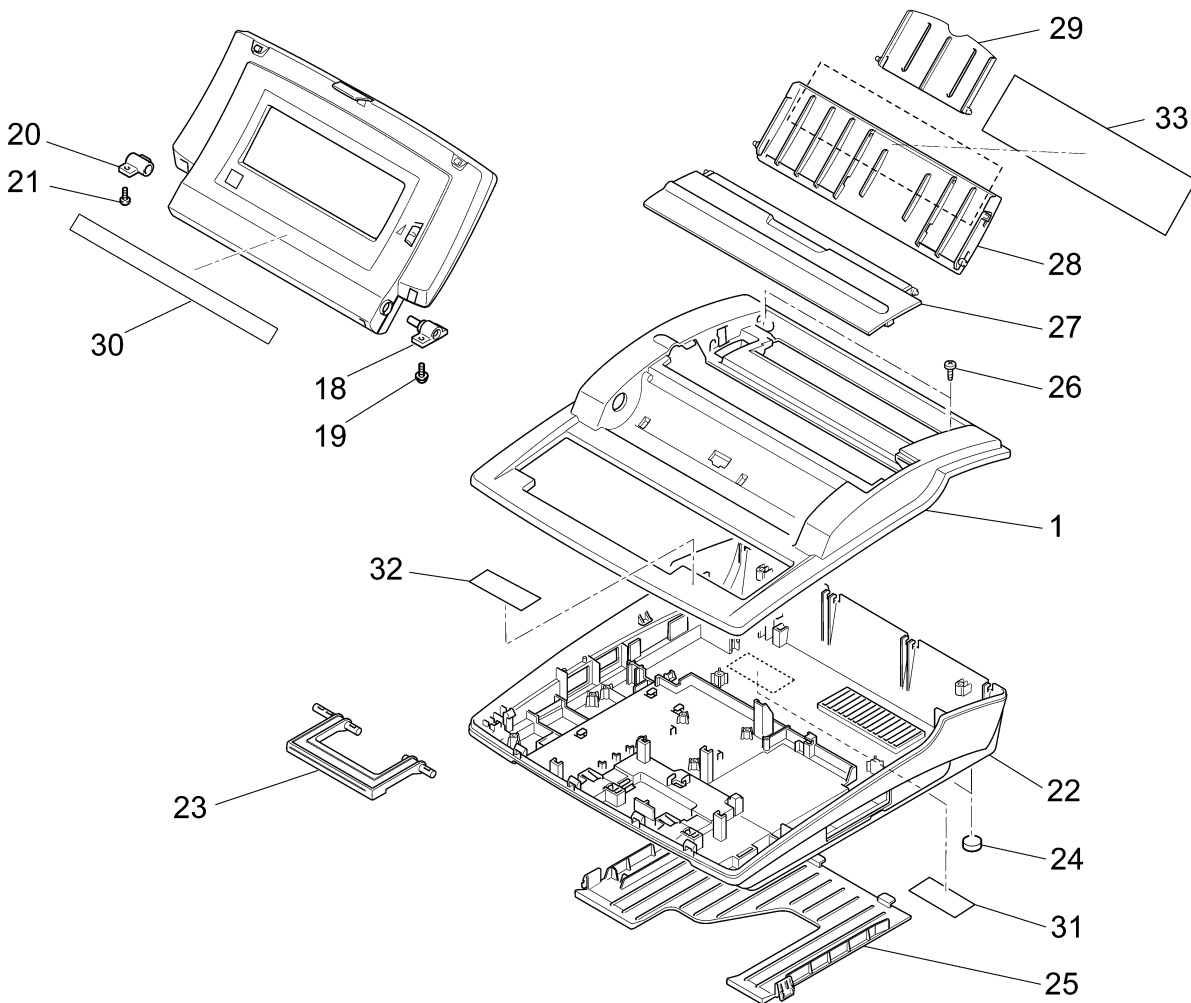
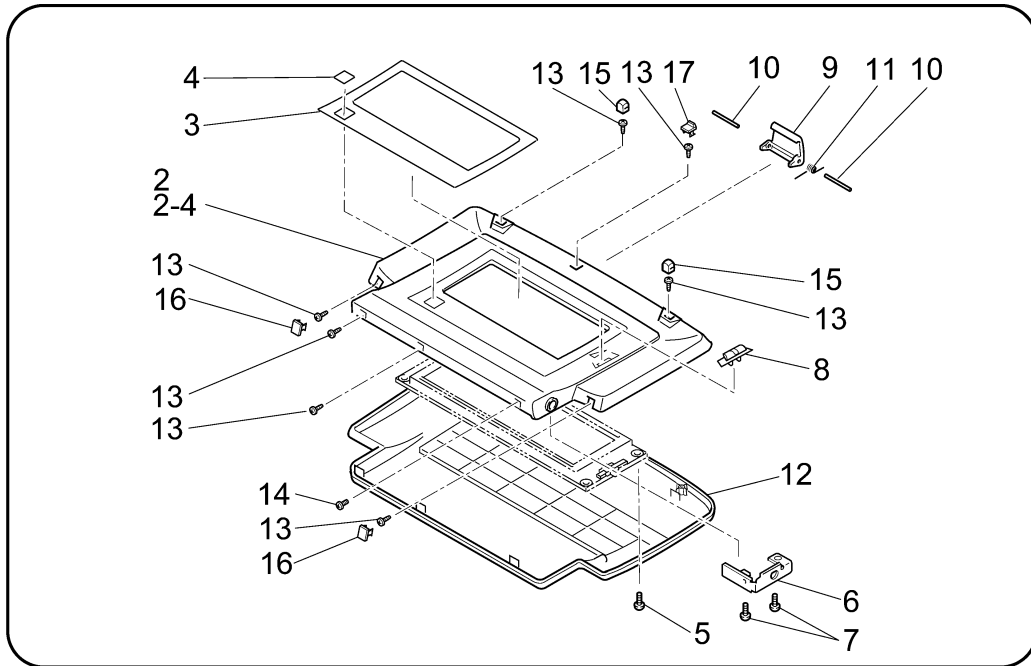
MODEL DP-525CJ,LW800ic,LW-800icPLUS 53T-400-033

2 . CHASSIS ATTACHMENTS

REF.NO.	CODE	Q'TY	DESCRIPTION	REMARKS
62	US0468001	1	TAPPING SCREW, PAN S M3X6	
63	US2959000	1	IDLE PULLEY HOLDER	
64	US2960000	1	IDLE PULLEY	
65	US2961001	1	PULLEY HOLDER SPRING	
66	U22702001	1	SCREW, PAN (S/P WASHER) M3X10	
67	US2962000	1	FPC LOCKER	
68	US2963001	1	MS HOLDER ASSY	
69	US0468001	1	TAPPING SCREW, PAN S M3X6	
70	US2965001	1	STAR WHEEL HOLDER ASSY	
71	US2972001	1	LEAF SWITCH ASSY	
72	US2973001	1	LEAF SWITCH COVER	
73	000261215	1	SCREW, BIND M2.6X12	
74	US2969001	1	EARTH SPRING	
75	U06923001	2	TAPTITE, BIND B M3X10	
76	U08740001	2	TAPTITE, BIND B M4X12	

MODEL DP-525CJ,LW800ic,LW-800icPLUS 53T-400-033

3. COVERS

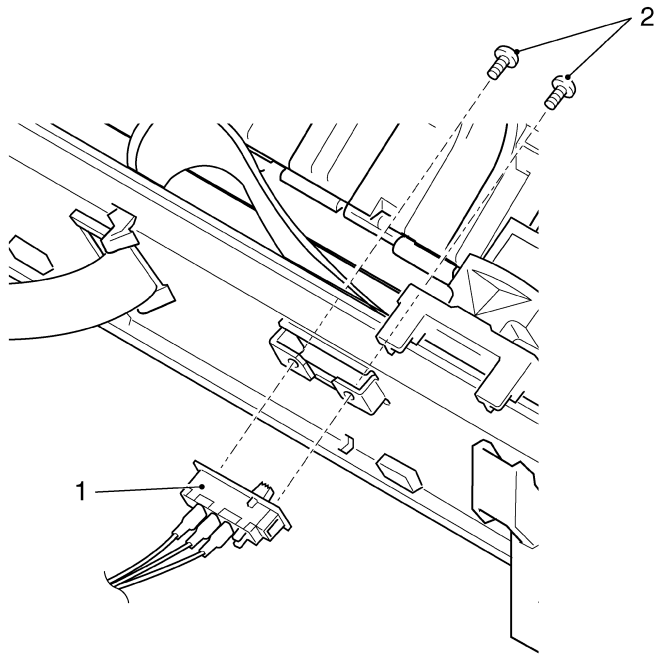


3 . COVERS

REF.NO.	CODE	Q'TY	DESCRIPTION	REMARKS
1	US2974020	1	UPPER COVER ASSY, WHITE1250	
2-4	US2976020	1	LCD UPPER COVER 7 ASSY, W1250 (USA,CAN,AUS)	
2-4	US3180020	1	LCD U COVER 7E ASSY, W1250 (GER,FRA,NLD,AUT)	
2	US2977020	1	LCD UPPER COVER 7, WHITE1250	
3	US2978001	1	LCD PANEL 7 (USA,CAN,AUS)	
3	US3181001	1	LCD PANEL 7E (GER,FRA,NLD,AUT)	
4	US2979001	1	COLOR MARK	
5	U05404001	2	TAPTITE, BIND B M3X8	
6	US2991001	1	LCD PLATE	
7	U05404001	2	TAPTITE, BIND B M3X8	
8	US2992020	1	LCD VOLUME KNOB, WHITE1250	
9	US2993020	1	LCD LATCH, WHITE1250	
10	US2994001	2	LATCH SHAFT	
11	US2995001	1	SPRING	
12	US2996020	1	LCD LOWER COVER, WHITE1250	
13	U04887001	7	TAPTITE, BIND B M2.6X8	
14	000300515	1	SCREW, BIND M3X5	
15	US2997020	2	LCD RUBBER LR, WHITE1250	
16	US2998020	2	LCD SPACER LR, WHITE1250	
17	US2999020	1	LCD SPACER M, WHITE1250	
18	US3000001	1	HINGE ASSY	
19	U22702001	2	SCREW, PAN (S/P WASHER) M3X10	
20	US3001000	1	LCD BEARING	
21	U05404001	2	TAPTITE, BIND B M3X8	
22	US3002020	1	BOTTOM COVER 7, WHITE1250	
23	UA5284020	1	HANDLE, WHITE1250	
24	U41192001	2	FELT FOOT	
25	US3006020	1	PAPER TRAY, WHITE1250	
26	085311415	2	TAPTITE, BIND B M3X14	
27	US3008020	1	TOP COVER, WHITE1250	
28	US3009020	1	PAPER SUPPORTER, WHITE1250	
29	US3010020	1	SUB PAPER SUPPORTER, WHITE1250	
30	US3011001	1	DEMO LABEL, DP-525CJ	
30	US3333001	1	DEMO LABEL, LW800IC UK	
30	US3334001	1	DEMO LABEL, LW800IC G	
30	US3335001	1	DEMO LABEL, LW800IC F	
30	US3336001	1	DEMO LABEL, LW800IC D	
30	US3724001	1	DEMO LABEL, DP-525CJ CANADA	
31	US3015001	1	RATING LABEL, DP525CJ	
31	US3229001	1	RATING LABEL, LW-800IC	
31	US3736001	1	RATING LABEL, 525CJ AUSTRALIA	
32	US3332001	1	SMALL STICKER	
33	US3061001	1	POP DISPLAY, DP-525CJ	

MODEL DP-525CJ,LW800ic,LW-800icPLUS 53T-400-061

4 . DETECTOR SWITCH

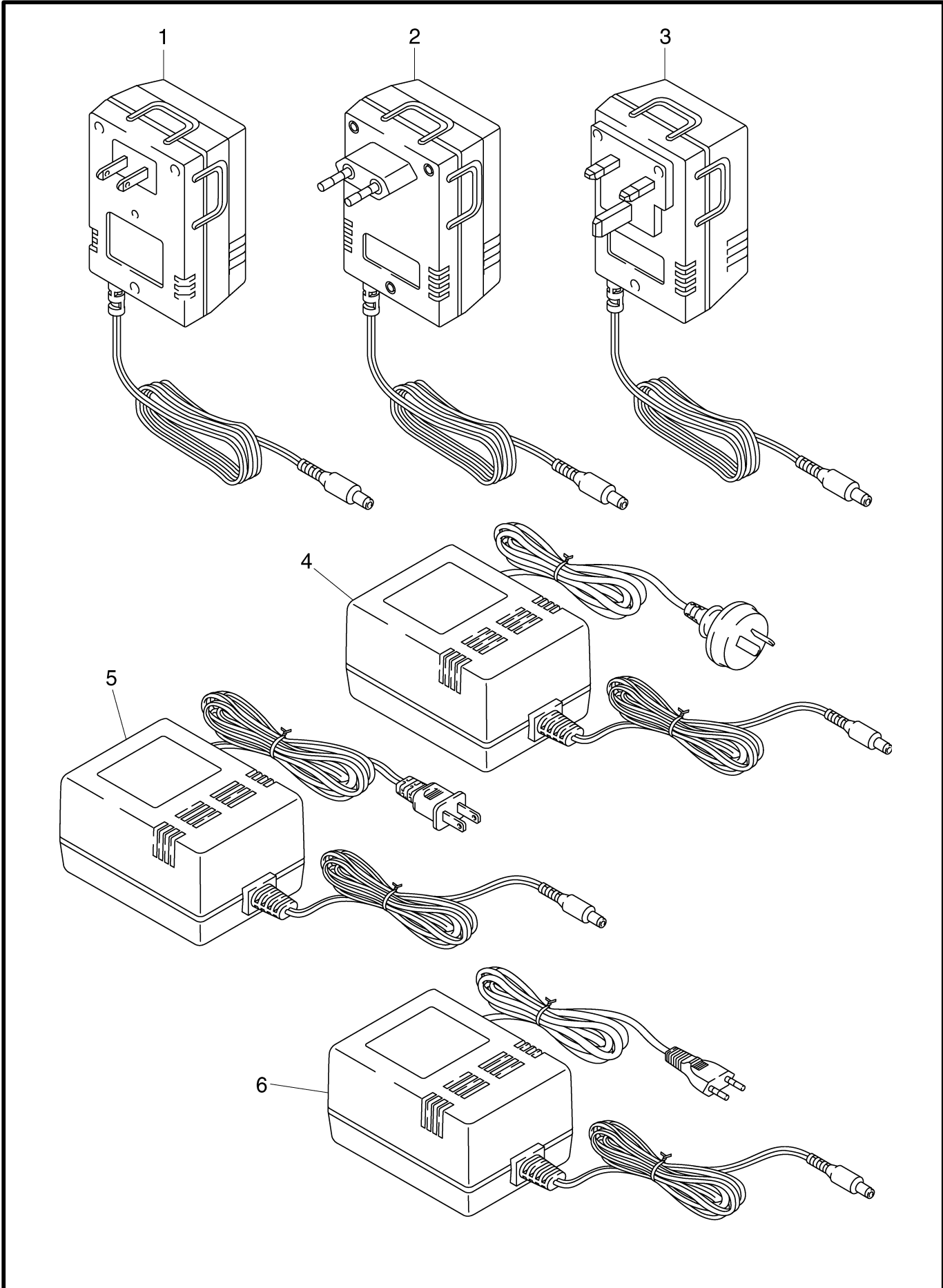


4 . DETECTOR SWITCH

REF.NO.	CODE	Q'TY	DESCRIPTION	REMARKS
1	U11409001	1	KB SWITCH ASSY	
2	002020305	2	SCREW, PAN M2X3	

MODEL DP-525CJ,LW800ic,LW-800icPLUS 53T-400-100

5. AC ADAPTER

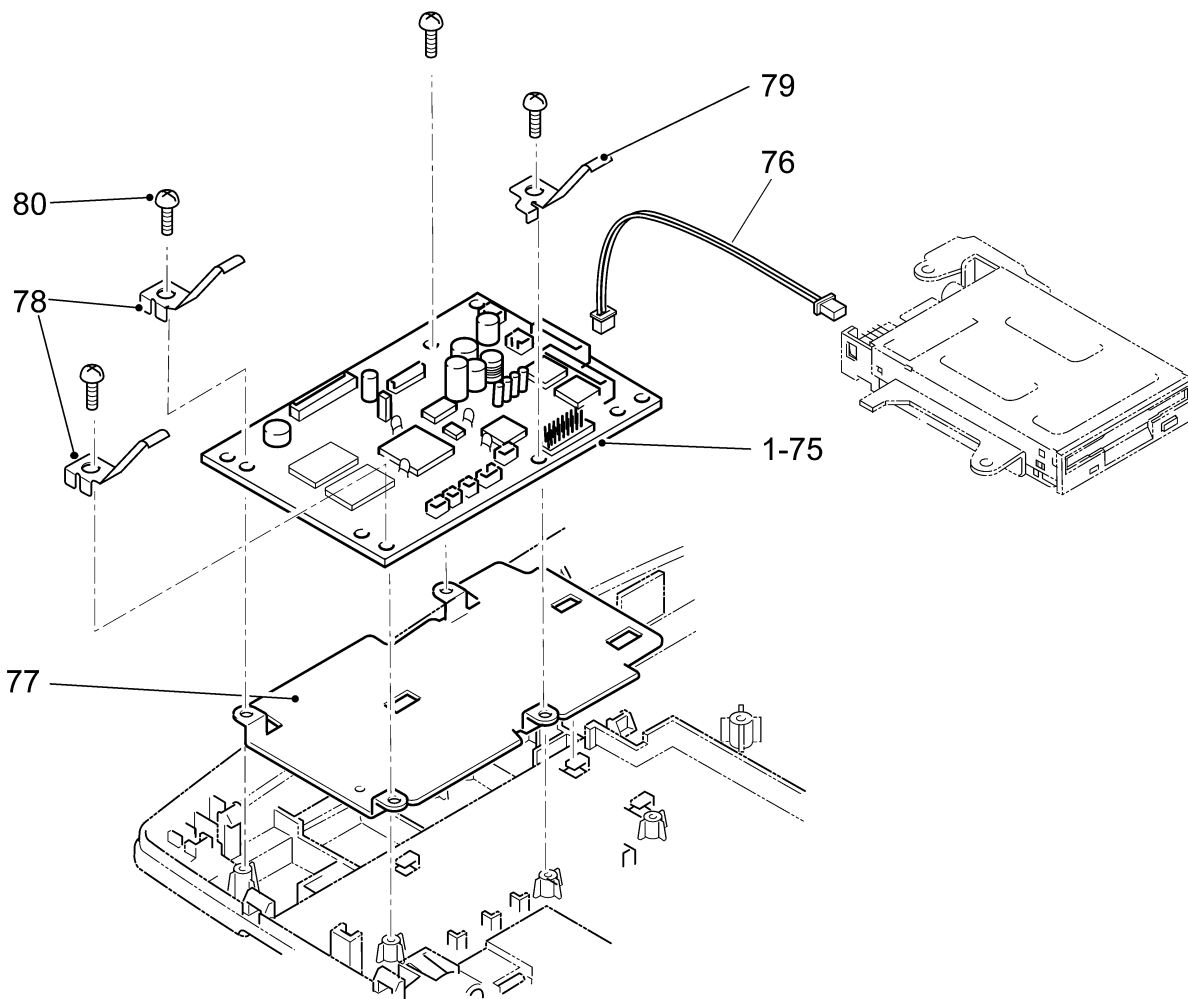


5 . AC ADAPTER

REF.NO.	CODE	Q'TY	DESCRIPTION	REMARKS
1	US3593001	1	AC ADAPTOR ASSY AXIS-120 (SP)	
1	US3594001	1	AC ADAPTOR ASSY AXIS-230 (SP)	
1	US3595001	1	AC ADAPTOR ASSY AXIS-UK (SP)	
1	US3610001	1	AC ADAPTER ASSY AXIS-SAA(SP)	
1	US3611001	1	AC ADAPTER ASSY AXIS-MEX(SP)	
1	US3681001	1	AC ADAPTER ASSY AXIS-230S(SP)	

MODEL DP-525CJ,LW800ic,LW-800icPLUS 53T-400-101

6 . MAIN PCB



SPEC. NO. TABLE

SPEC. NO.	DESIGN CHANGE SYMBOL	SPEC. NAME	PARTS CODE	PARTS NAME	Q'TY	U17534000: CONNECTORB3B-PH	SP1	SP2	SP3	SP4	SP5	SP6	SP7	SP8
REV. NO.			#11(ROM)			CN15(KBSW)	SOLDER POINT NO.							
					DIFFERENCE									
15		DUTCH	US3435085	MROM : 16 DP525-5	1	X	X	X	X	X	X	X	X	X
04		CANADA	US3425085	MROM : 16 DP525-4	1	○	X	X	X	X	X	X	X	X
13		FRENCH	US3424085	MROM : 16 DP525-3	1	X	X	X	X	X	X	X	X	X
12		GERMAN	US3423085	MROM : 16 DP525-2	1	X	X	X	X	X	X	X	X	X
11	A	GBR. ENGLISH	US3739085	MROM : 16 DP525-1A	1	X	X	X	X	○	X	X	X	X
02	A	AUS. ENGLISH	US3739085	MROM : 16 DP525-1A	1	X	X	X	X	X	X	○	X	X
01	A	USA. ENGLISH	US3739085	MROM : 16 DP525-1A	1	X	X	X	X	X	X	X	X	X

○...SOLDER POINT:SOLDER
X...SOLDER POINT:DO NOT SOLDER

6 . MAIN PCB

TW99011

REF.NO.	SYMBOL	CODE	Q'TY	DESCRIPTION	REMARKS
1-74	B48J300-201A	US3588001	1	PCB B48J300 ASSY 7 (SP) USA.ENG	CHNG#A
1-74	B48J300-202A	US3588002	1	PCB B48J300 ASSY 7 (SP) AUS.ENG	CHNG#A
1-74	B48J300-204	US3588004	1	PCB B48J300 ASSY 7 (SP) CAN.ENG	CHNG#A
1-74	B48J300-211A	US3588011	1	PCB B48J300 ASSY 7 (SP) GBR.ENG	CHNG#A
1-74	B48J300-212	US3588012	1	PCB B48J300 ASSY 7 (SP) GER	CHNG#A
1-74	B48J300-213	US3588013	1	PCB B48J300 ASSY 7 (SP) FRA	CHNG#A
1-74	B48J300-215	US3588015	1	PCB B48J300 ASSY 7 (SP) NLD	CHNG#A
1	#8	UC9201000	1	MPU:HG71C207FD	
2	#11	US3739085	1	MASK ROM 16M-12 DP525-1A	
2	#11	US3425085	1	MASK ROM 16M-12 DP525-4	
2	#11	US3423085	1	MASK ROM 16M-12 DP525-2	
2	#11	US3424085	1	MASK ROM 16M-12 DP525-3	
2	#11	US3435085	1	MASK ROM 16M-12 DP525-5	
3	#10	US3096085	1	DRAM:NN514260-60	
4	#6	US3097085	1	SRAM:N341256SJ	
5	#5	UC9033085	1	LSI:GM82C765B	
6	#4	US3098085	1	IC:TL1453CNSLE	
7	#2,3	UC9543085	2	IC:A6817SEP	CHNG#A
8	#7	US3410085	1	IC:SN74HCU04 SOL	
9	Q8,13	US3099085	2	TR:2SA1036K	
10	Q12	UC8307085	1	TRANSISTOR, :2SA1952TL-Q	
11	Q19	US0609085	1	TR:2SB1198K	
12	Q7	US3100085	1	TR:2SC2411K	
13	Q14-16,18	US0608085	4	TR:2SC2412KLNRS-T146	
14	Q6	US3101085	1	TR:2SC4668	
15	Q1-4,23-26	US2168085	8	TR:2SD2170-T101	
16	D3,4,6,8	US0612085	4	DIODE:RLS71-TE-11	
17	D1,2	US1553085	2	DIODE:RB160L-40-TE-25	
18	ZD2	US1546085	1	ZENER DIODE:RLZJ3.9B-TE-11	
19	ZD7	US3307085	1	ZENER DIODE:RLZ6.2B-TE-11	
20	ZD5	US3102085	1	ZENER DIODE:HZM16NB3	
21	ZD3	US0745085	1	ZENER DIODE:RLZ18C-TE-11	
22	XT4	US3103085	1	CERAMIC OSCILLATOR CSA14.74MX	
23	XT2	UC9584085	1	CERAMIC OSCILLATOR, 16.00MHZ	
24	XT1	UB5030085	1	CERAMIC OSCILLATOR:CSA18.0MX	
25	XT3	UJ0735085	1	CERAMIC OSCILLATOR:CSA20MXZ04	
26	BZ1	US3467085	1	BUZZER:CD11PA-XZ	
27	R9,25	094112005	2	FIXED RESISTOR, G-C116F1101	
28	R22	094332005	1	FIXED RESISTOR, G-C116F332	
29	R8	094203005	1	FIXED RESISTOR, G-C116F203	
30	R19,21,23,26	094333005	4	FIXED RESISTOR, G-C116F333	
31	R34-37	Y02209509	4	FIXED RESISTOR, G-B1G220-1	
32	R24,27	Y01500519	2	FIXED RESISTOR, G-B1J151	
33	R3	090222327	1	FIXED RESISTOR, D-B12Y222	
34	R28	094222225	1	FIXED RESISTOR, G-C18J222T	
35	R16	094330025	1	FIXED RESISTOR, G-C116J330	
36	R56,62-64	094101025	4	FIXED RESISTOR, G-C116J101	
37	R38	094331025	1	FIXED RESISTOR, G-C116J331	
38	R30,33,41,48,50, 74,76,79,81	094102025	9	FIXED RESISTOR, G-C116J102	
39	R39	094122025	1	FIXED RESISTOR, G-C116J122	
40	R1,2,7,10,31,32,42, 54,58,59,72,73	094222025	12	FIXED RESISTOR, G-C116J222	
41	R29,40,46,53,65, 70,75,77,80	094103025	9	FIXED RESISTOR, G-C116J103	
42	R18	094153025	1	FIXED RESISTOR, G-C116J153	
43	R11,12	094333025	2	FIXED RESISTOR, G-C116J333	
44	R20	094473025	1	FIXED RESISTOR, G-C116J473	
45	R17	094124025	1	FIXED RESISTOR, G-C116J124	
46	R15	094564025	1	FIXED RESISTOR, G-C116J564	
47	R57,60	094105025	2	FIXED RESISTOR, G-C116J105	
48	RA10-13	YA1014055	4	RESISTOR ARRAY, 101X4C	
49	RA2,3	YA2214055	2	RESISTOR ARRAY, C221X4C	
50	RA1,4,5	YA2224055	3	RESISTOR ARRAY, 222X4C	
51	RA6,7	YA1044055	2	RESISTOR ARRAY, 104X4C	

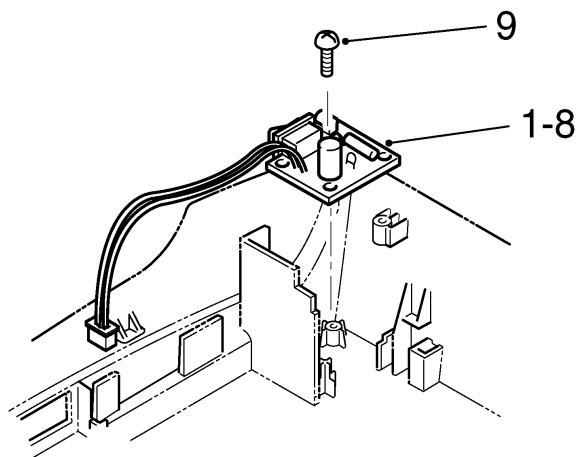
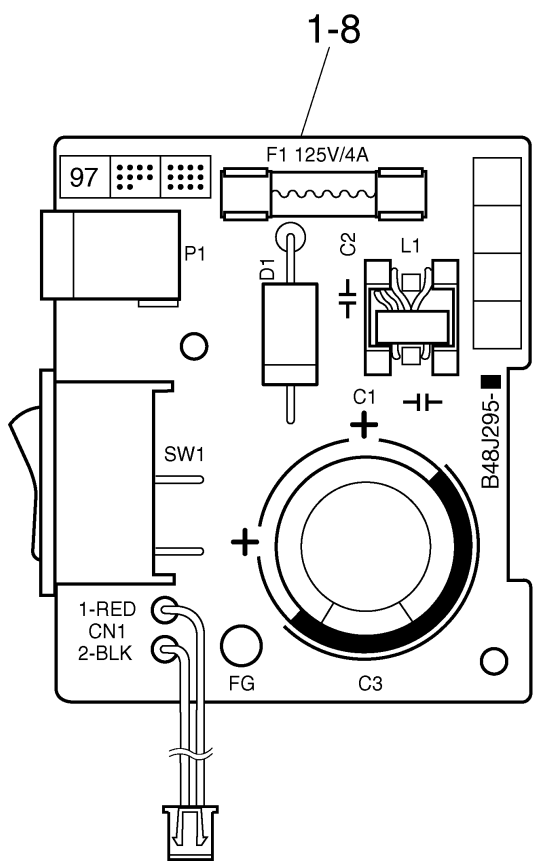
MODEL DP-525CJ,LW800ic,LW-800icPLUS 53T-400-102

6 . MAIN PCB

REF.NO.	SYMBOL	CODE	Q'TY	DESCRIPTION	REMARKS
52	C12,16,17,19,26, 28,29,32-36,39,46- 52,58	Y81042407	21	CAPACITOR, CERAMIC 25C104F	
53	C14	Y81030017	1	CAPACITOR, CERAMIC 50C103CH	
54	C20,22-25	Y81020017	5	CAPACITOR, CERAMIC 50C102B	
55	C13,15,18	Y74712117	3	CAPACITOR, CERAMIC 50C471CH	
56	C37,38,53,54	Y73002117	4	CAPACITOR, CERAMIC 50C300CH	
57	C44,45	Y71004117	2	CAPACITOR, CERAMIC 50C100CH	
58	C31	Y41021091	1	CAPACITOR, ALUM-ELEC 10B102	
59	C21	Y42202097	1	CAPACITOR, ALUM-ELEC 16B220	
60	C6	Y43313097	1	CAPACITOR, ALUM-ELEC 25B331	
61	C43	Y44704907	1	CAPACITOR, ALUM-ELEC 35B470	
62	C27	US3422085	1	CAPACITOR,ALUMI-ELEC 35B470KMF	
63	C10	US3421000	1	CAPACITOR,ALUMI-ELEC 35B471KMF	
64	L4	UG3128000	1	COIL:DL-6503C	
65	L5	US1539085	1	COIL: LHL06TB471K	
66	L1	US3104000	1	COIL:MCDR1511-151K	
67	L3	UC2514000	1	COIL:RCH-110-150	
68	CN9	US0206000	1	CONNECTOR, 34PIN	
69	CN4,5	US3309000	2	CONNECTOR:3-84387-0	
70	CN12	UA3044000	1	CONNECTOR:5229-17CPB	
71	CN7	U41750000	1	CONNECTOR:B12B-PHK	
72	CN13,14	U17118000	2	CONNECTOR:B2B-PH	
73	CN3,11	U17535000	2	CONNECTOR:B5B-PH	
74	CN2,10	U04254000	2	CONNECTOR:B2B-XH-A	
75		U17534000	1	CONNECTOR:B3B-PH (CANADA ONLY)	
76		US3466001	1	FDD POWER HARNESS ASSY AXIS	
77		US3021000	1	SHIELD PLATE	
78		US3023000	2	GROUND PLATE KB	
79		US3414000	1	GROUND PLATE KB2	
80		U06923001	4	TAPTITE, BIND B M3X10	

MODEL DP-525CJ,LW800ic,LW-800icPLUS 53T-400-102

7 . POWER SUPPLY PCB

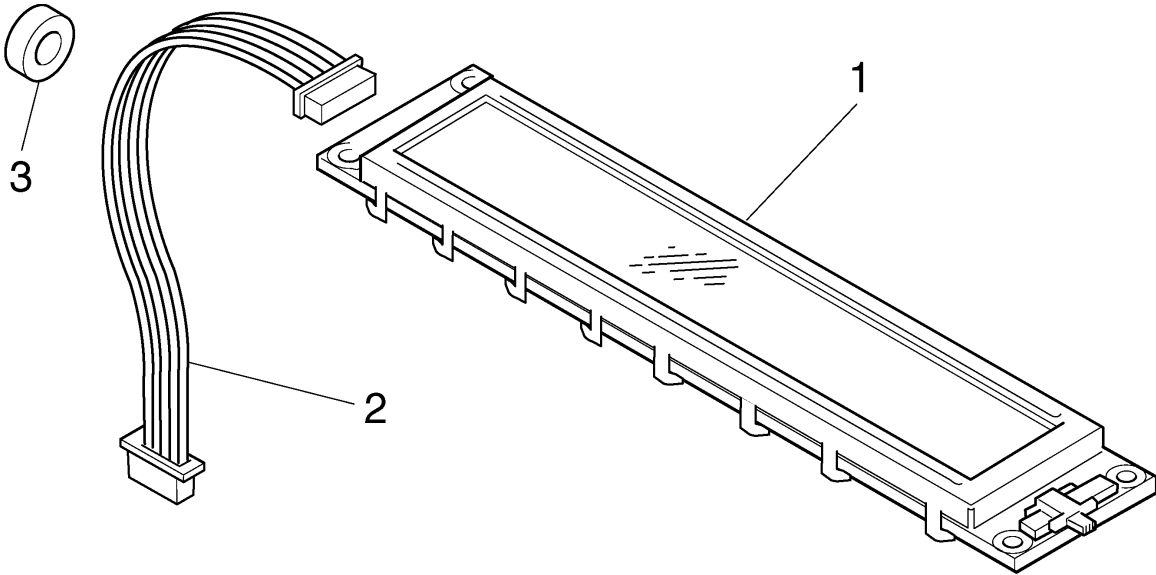


7 . POWER SUPPLY PCB

REF.NO.	SYMBOL	CODE	Q'TY	DESCRIPTION	REMARKS
1-8	B48J295-3	US3596001	1	SWITCH PCB ASSY AXIS (SP)	
1	D1	US0782000	1	DIODE, 1N5400	
2	C3	Y42223092	1	CAPACITOR, ALUM-ELEC 25B222	
3	SW1	U17200000	1	POWER SWITCH:WK-837	
4	P1	W00325001	1	JACK:HEC0470	
5	F1	US3413000	1	GLASS FUSE, 4A-235	
6	F1	US0589000	2	FUSE CLIP:HTC-200M	
7	CN1	US3108001	1	POWER HARNESS ASSY AXIS	
8	L1	UC7738000	1	COIL:BM1012LF	
9		U06923001	1	TAPTITE, BIND B M3X10	

MODEL DP-525CJ,LW800ic,LW-800icPLUS 53T-400-104

8 . LCD

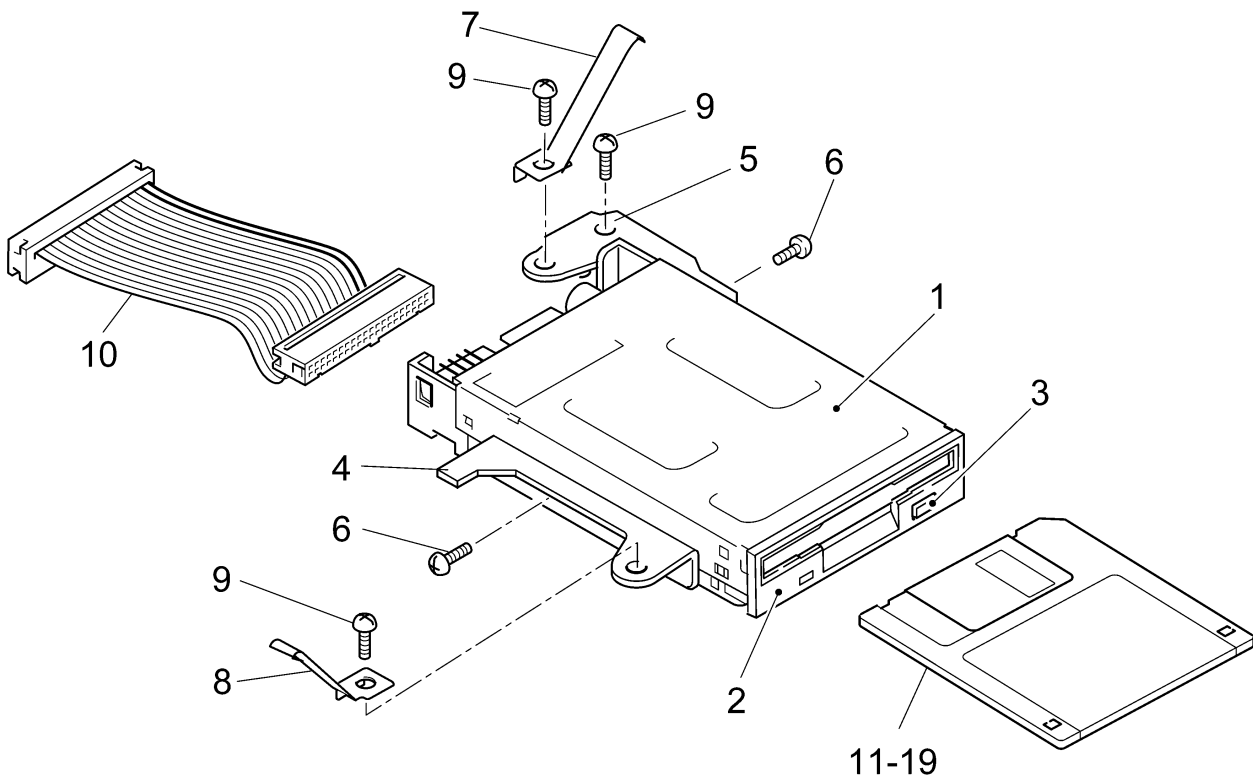


8 . LCD

REF.NO.	CODE	Q'TY	DESCRIPTION	REMARKS
1	US3597001	1	LCD:480X64 UG48B085NBR4-A (SP)	
2	US3114001	1	LCD HARNESS ASSY AXIS1	
3	UL8212000	1	FERRITE CORE:19X10X10	

MODEL DP-525CJ,LW800ic,LW-800icPLUS 53T-400-108

9 . FLOPPY DISK DRIVE



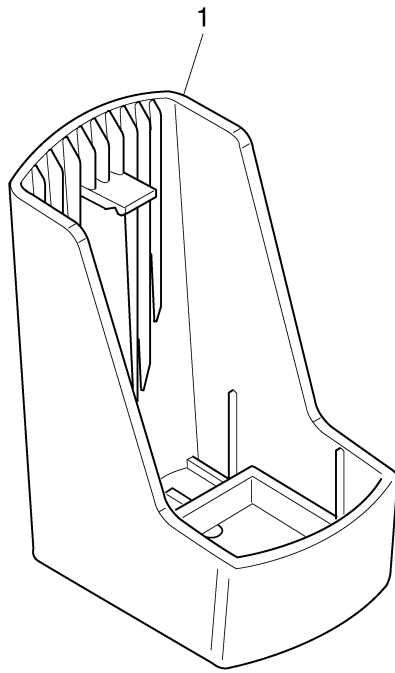
9 . FLOPPY DISK DRIVE

TW2000008

REF.NO.	CODE	Q'TY	DESCRIPTION	REMARKS
1-3	LC0132020	1	FDD STD ASSY (SP)	
1	US4792020	1	FDD BODY MI2HD M3STD	
2	UC9813020	1	FRONT BEZEL MIM3	
3	UC9814020	1	EJECT BUTTON MIM3	
4	US3024000	1	PLATE AL	
5	US3025000	1	PLATE AR	
6	000300515	3	SCREW, BIND M3X5	
7	US3026000	1	GROUND PLATE PR	
8	US3023000	1	GROUND PLATE KB	
9	U06923001	3	TAPTITE, BIND B M3X10	
10	UC8236001	1	FDD HARNESS ASSY	
11	US3028001	1	FD ASSY 001 (USA,AUS)	
12	US3030001	1	FD ASSY 006 (USA,AUS)	
13	US3239001	1	FD ASSY 008 (UK)	
14	US3241001	1	FD ASSY 013 (UK)	
15	US3261001	1	FD ASSY 014 (GER,AUT)	
16	US3271001	1	FD ASSY 019 (FRA)	
17	US3667001	1	FD ASSY 037 (NLD)	
18	US3291001	1	FD ASSY 029 (CAN)	
19	US3911001	1	FD ASSY 040 (CAN)	

MODEL DP-525CJ,LW800ic,LW-800icPLUS 53T-400-302

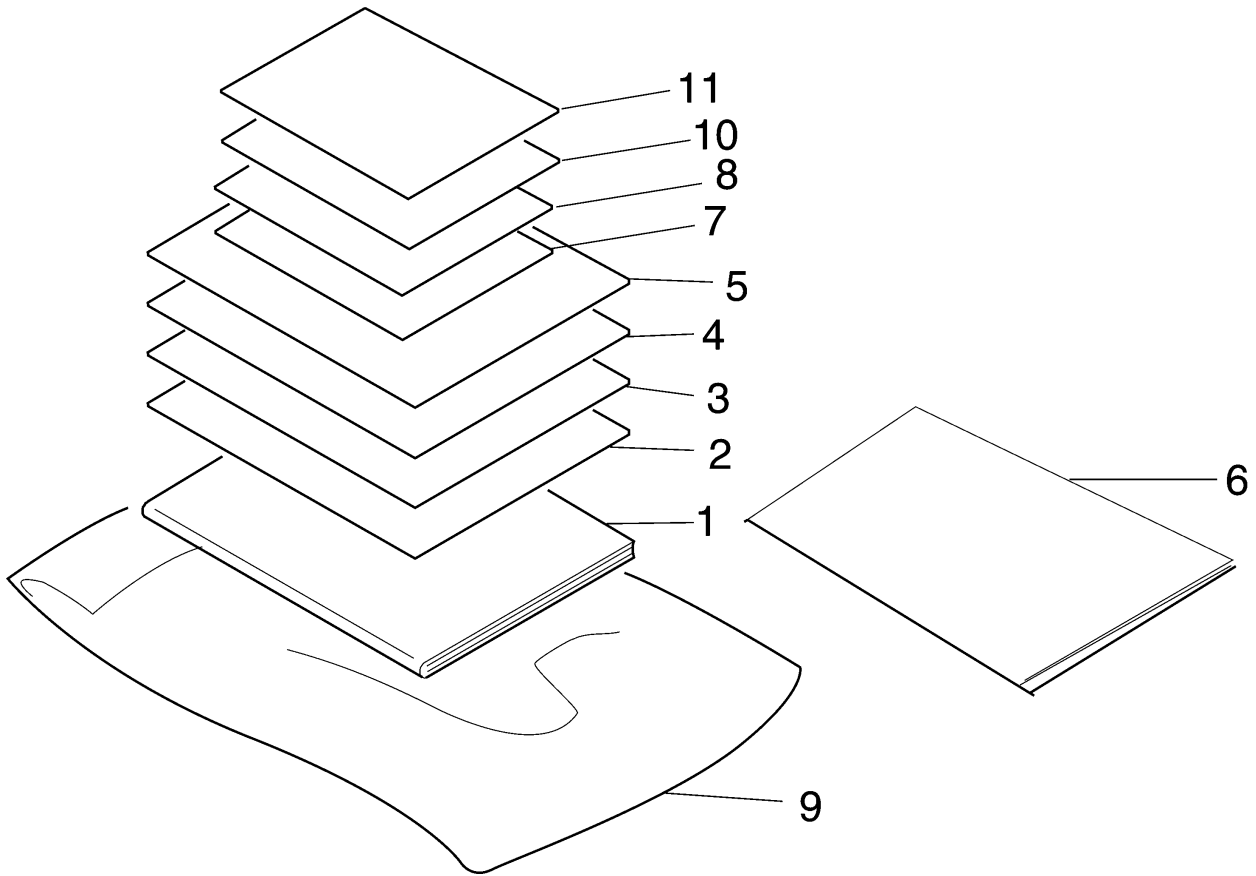
10 . ACCESSORIES



10 . ACCESSORY

REF.NO.	CODE	Q'TY	DESCRIPTION	REMARKS
1	US3056020	1	CARTRIDGE CASE ASSY, WHITE1250	

MODEL DP-525CJ,LW800ic,LW-800icPLUS 53T-400-910



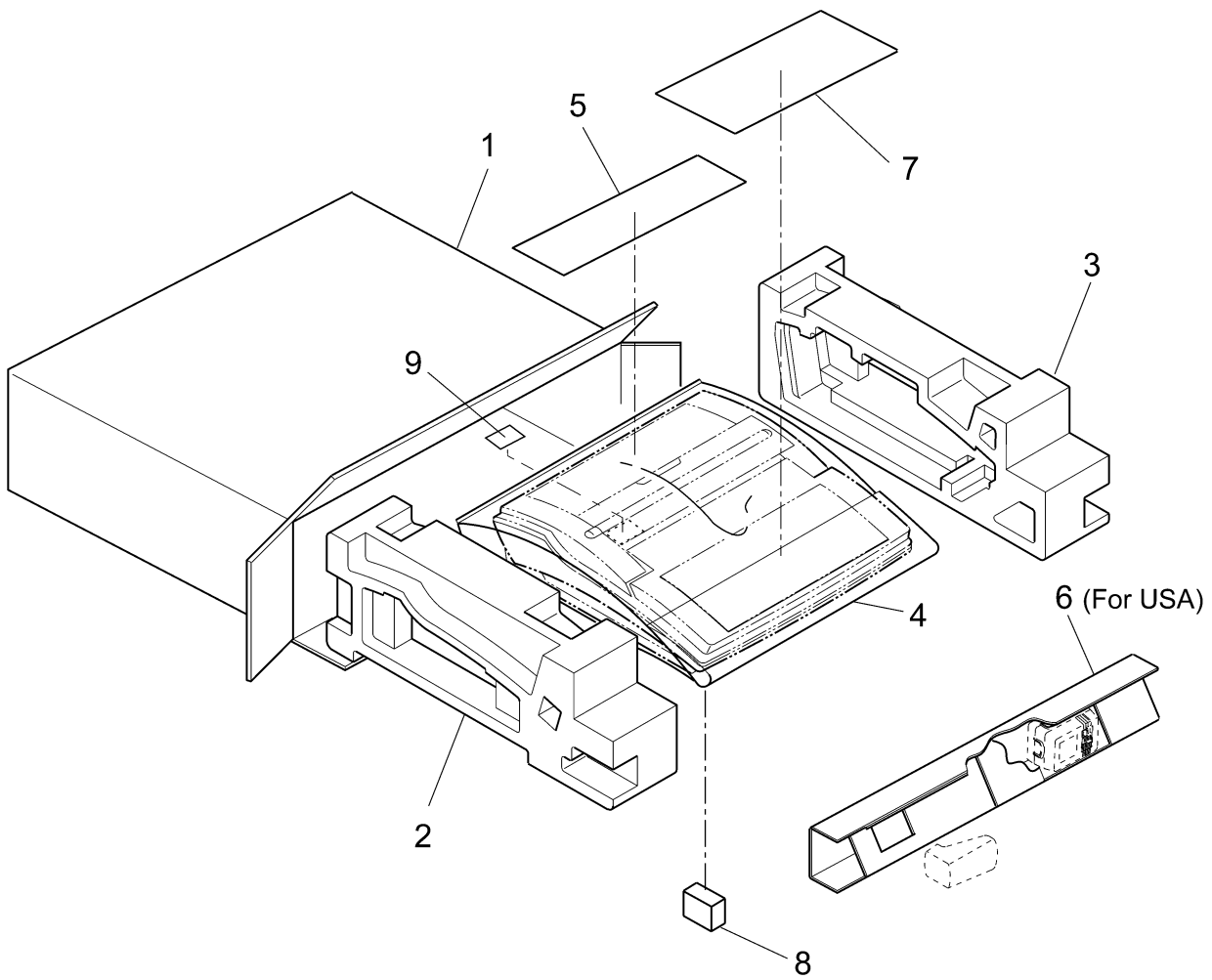
11 . PRINTED MATTERS

TW2000010

REF.NO.	CODE	QTY	DESCRIPTION	REMARKS
1	US3059001	1	USER'S MANUAL, US	
1	US3217001	1	USER'S MANUAL, UK	
1	US3219001	1	USER'S MANUAL, GERMAN	
1	US3403001	1	USER'S MANUAL, FRENCH	
1	US3710001	1	USER'S MANUAL, DUTCH	
1	US3226001	1	USER'S MANUAL, BILINGUAL-F2	
1	US3404001	1	USER'S MANUAL, BILINGUAL-E	
2	US1700001	1	ACCESSORY ORDER FORM	
3	595110080	1	WARRANTY CARD, ENGLISH	
3	UC9800001	1	WARRANTY EUROPE	
3	US0330181	1	WARRANTY CARD, CAN. ENGLISH	
4	US3471001	1	AUTHORIZED SERVICE DEPOTS	
5	UC9313001	1	WARRANTY INFORMATION	
6	US3770001	1	AXIS BOX TOPPER-LCD	
7	US3398001	1	CAUTION SHEET	
8	UC9715001	1	BUSINESS REPLY CARD	
9	US0739001	1	PERFORATED BAG	
9	UA7282001	1	PERFORATED BAG W/HOLL	
9	US1727001	1	PERFORATED BAG, EC 230X310	
9	US1728001	1	PERFORATED BAG, EC 320X420	
10	US3062001	1	POP LAMINATED	
11	US3923001	1	INSERTION SHEET FOR AXIS NZ	

MODEL DP-525CJ,LW800ic,LW-800icPLUS 53T-400-920

12 . PACKING MATERIALS



12 . PACKING MATERIALS

TW99007

REF.NO.	CODE	Q'TY	DESCRIPTION	REMARKS
1	US3070021	1	CARTON, NOBRO	
1	US3071022	1	CARTON 525CJ ASSY, USA	
1	US3234054	1	CARTON, LW-800IC	
1	LC0019054	1	CARTON, LW-800icPLUS	ADD
1	US3712054	1	CARTON ASSY, DP-525CJ (AUS)	
1	UC9795054	1	CARTON ASSY, 525CJ CANADA	
2	US3081000	1	STYROFOAM PAD L	
3	US3082000	1	STYROFOAM PAD R	
4	UA7283001	1	PERFORATED BAG	
4	US1726001	1	PERFORATED BAG, EC 660X800	
5	US3584000	1	PAPER SUPPORTER PAD	
6	US3084001	1	TUBE HOLDER	
7	US3822001	1	KEYBOARD PAD 2	
8	US3586001	1	PAPER TRAY PAD	
9	US3814000	1	CARRIAGE PAD	

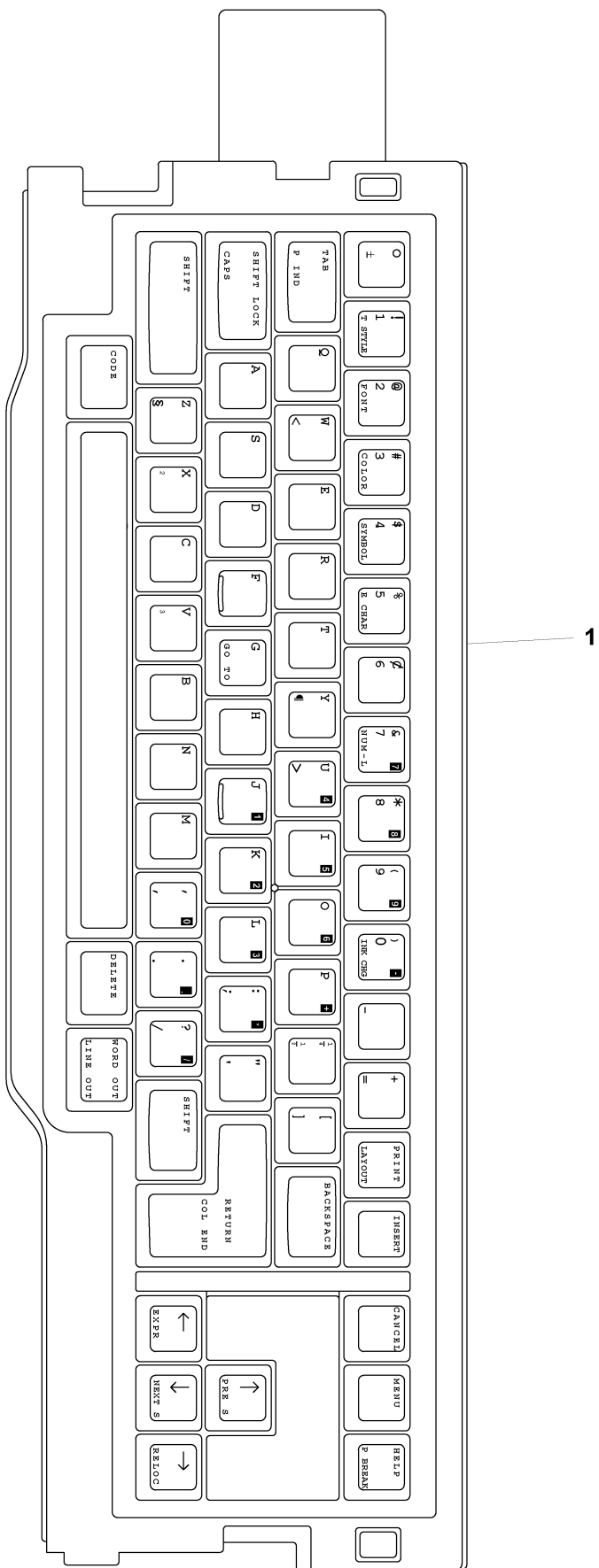
MODEL DP-525CJ,LW800ic,LW-800icPLUS 53T-400-930

13 . KEYBOARD UNIT

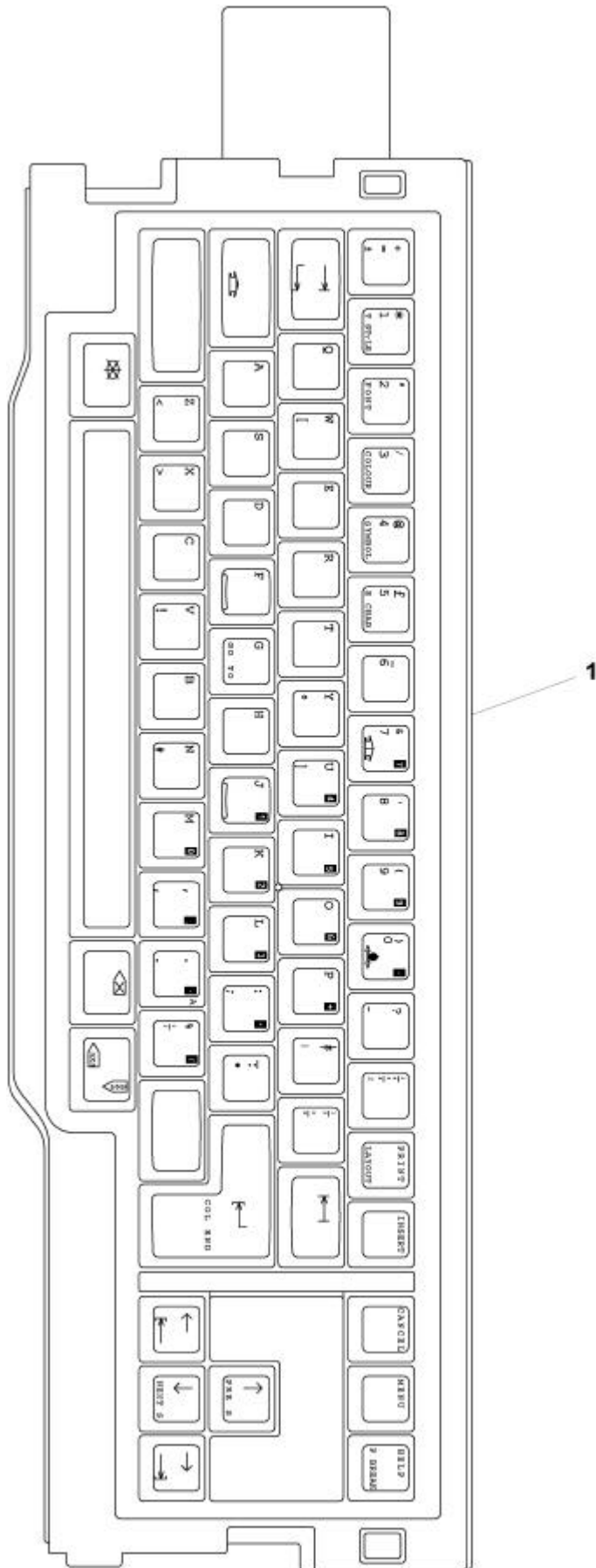
REF.NO.	CODE	Q'TY	DESCRIPTION	REMARKS
13-1	US3019020	1	KB ASSY 02	
13-2	US3149020	1	KB ASSY 08	
13-3	US3147020	1	KB ASSY 14	
13-4	US3519020	1	KB ASSY 16	
13-5	US3151020	1	KB ASSY 20	
13-6	US3711020	1	KB ASSY 32	

MODEL DP-525CJ,LW800ic,LW-800icPLUS 53T-400-4XX

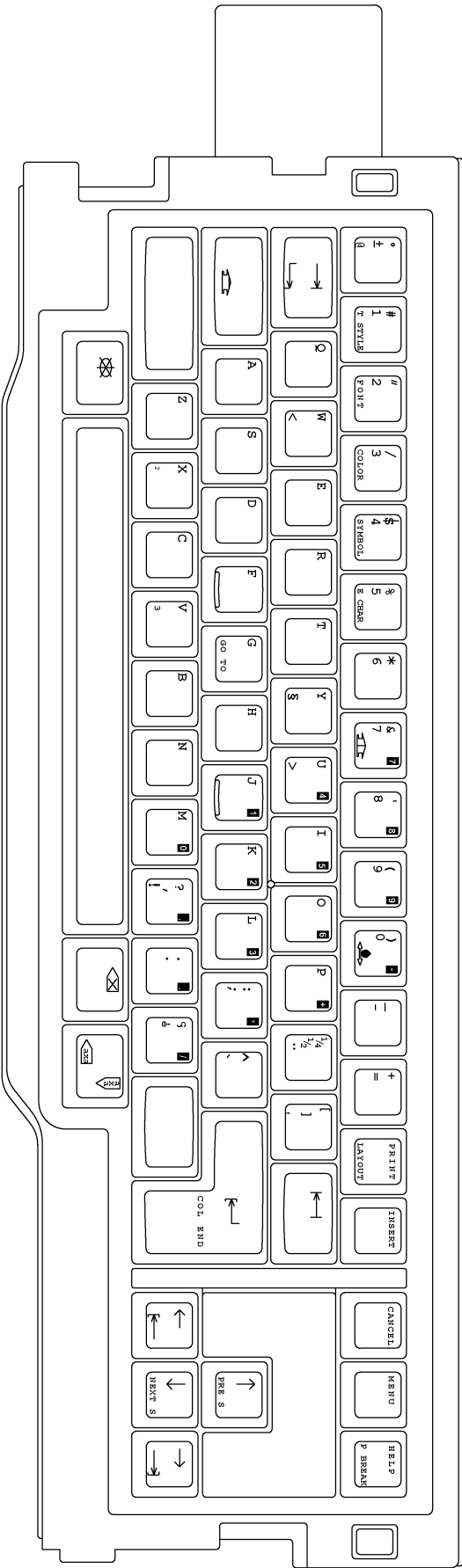
13-1 . KEYBOARD UNIT/USA



13-3 . KEYBOARD UNIT/UK

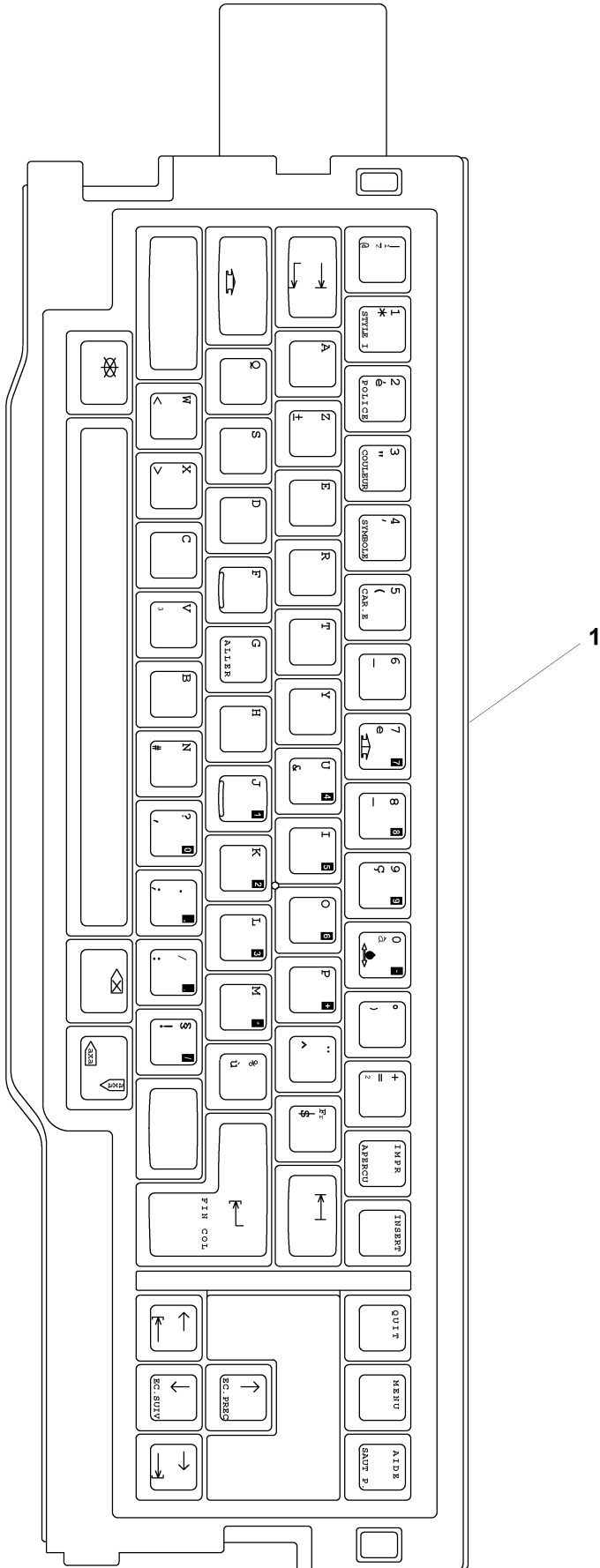


13-4 . KEYBOARD UNIT/CANADA

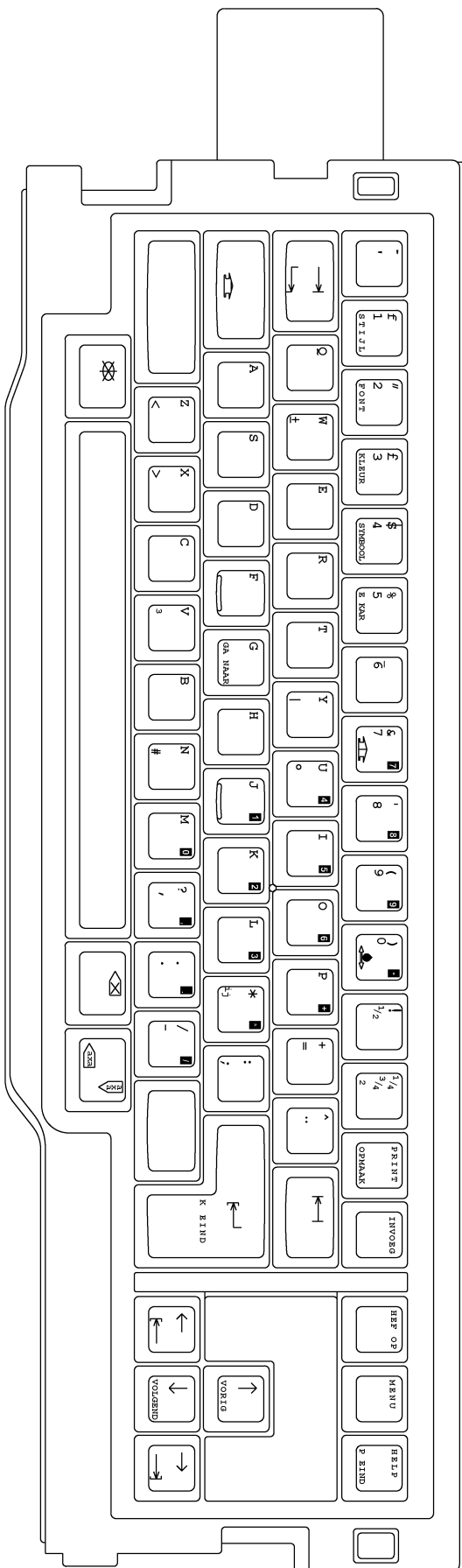


1

13-5 . KEYBOARD UNIT/FRENCH



13-6 . KEYBOARD UNIT/HOLLAND



1

brother®

Aug, '98
53T005BE1
Printed in Japan