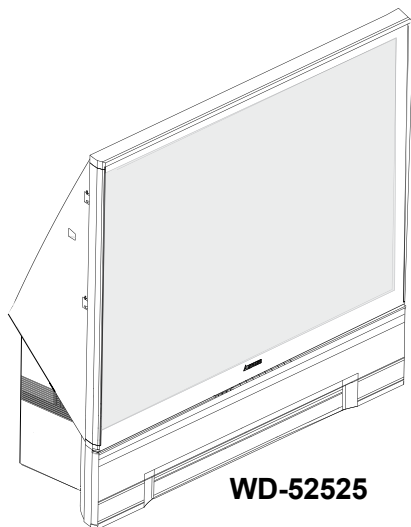




Service Manual

DIGITAL LIGHT PROCESSING™ PROJECTION TV
V26 CHASSIS



WD-52525

MODELS

<u>V26</u>	<u>V26+</u>	<u>V26++</u>
WD-52525	WD-52725	WD-52825
WD-62525	WD-62725	WD-62825

CAUTION:

Before servicing this chassis, it is important that the service person read the "SAFETY PRECAUTIONS" and "PRODUCT SAFETY NOTICE" contained in this manual.

SPECIFICATIONS

• Power Input	: AC 120V, 60Hz		: S-VIDEO IN JACK (Y/C separate type)
• Power Usage	: 275W		Y: 1.0 Vp-p C: 0.286Vp-p (BURST)
• Light Engine	: DLP 0.85" 1280 x 720p		75Ω unbalanced, 480i
• Lamp	: 120W VIP Type		: COMP / Y, Pr, Pb (RCA Type)
• Channel Frequencies	: Air - VHF 2 ~ 13 UHF 14 ~ 69		Y: 1.0 Vp-p Pr, Pb: 700mVp-p, 480i,
	Analog Cable - 1 ~ 125		480p, 720p, 1080i
	Digital Cable - 1 ~ 135		: DTV / Y(G), Pr(R), Pb(B), H, V (RCA
• Antenna Input	: 2 RF 75Ω unbalanced		Type) Y: 1.0 Vp-p Pr, Pb: 700mVp-p,
• Tuning	: 1 NTSC/ATSC/QAM64&256		75Ω, H, V: 3.0Vp-p, 480i, 480p,
	1 CableCARD™ Slot		720p, 1080i
	1 NTSC for PIP		: VGA / R,G,B,V,H (15 pin D) 640x480,
• Cabinet Dimensions	: [WD-52xxx] 37.2" x 49.6" x 17.4"		800x600, 1024x768, 720x1280,
	[WD-62xxx] 43.7" x 58.3" x 19.9"		60Hz
• Weight	: [WD-52xxx] 132.4 lbs	• Output Level	: VIDEO OUT JACK (RCA Type)
	[WD-62xxx] 165.5 lbs		1.0Vp-p 75Ω unbalanced
• Speakers (10Wx2)	: 5" Coaxial x 2		: AUDIO OUT JACK (RCA Type)
• Input Level	: VIDEO IN JACK (RCA Type)		500mV RMS (+/-200mV)
	1.0Vp-p 75Ω unbalanced		full scale into 4.7kΩ, unbalanced
	AUDIO IN JACK (RCA Type)	• Digital Interface	: IEEE-1394 I/O Jacks
	500mV RMS full scale into 43kΩ,		: AC-3 Digital Audio Output (RCA
	unbalanced		Type) 1.5V RMS
			: HDMI™
			: MonitorLink™ Control/RS-232C
			: 4 Memory Card Reader Inputs

• Design specifications are subject to change without notice.

MITSUBISHI DIGITAL ELECTRONICS AMERICA, INC.

9351 Jeronimo Road, Irvine, CA 92618-1904

Copyright © 2004 Mitsubishi Digital Electronics America, Inc.

All Rights Reserved

CONTENTS

INTRODUCTION	5
PRODUCT SAFETY NOTICE	5
SAFETY PRECAUTIONS	6
DISASSEMBLY PROCEDURES	7
Cabinet Front Disassembly	7
Cabinet Rear Disassembly	9
ELECTRICAL CHASSIS REPLACEMENT	10
OPTICAL ENGINE REPLACEMENT	13
DATA COPY PROCEDURE	16
DIAMONDSHIELD™ REPLACEMENT	17
SERVICING THE LENTICULAR SCREEN AND FRESNEL LENS	18
INITIAL SETUP	20
FRONT PANEL LED DIAGNOSTICS	22
SERVICE ADJUSTMENTS	24
Equipment	24
Circuit Adjustment Mode	24
Adjustment Items and Initial Data Settings	26
Electrical Adjustments	27
Mechanical Adjustments	27
REPLACEMENT PARTS	30
SCREEN ASSEMBLY PARTS	33
CIRCUITRY BLOCK DIAGRAMS	35
PCB INTERCONNECT DIAGRAM	

INTRODUCTION

This service manual provides service instructions for PTV Models and Chassis:

V26 Chassis
WD-52525
WD-62525

V26+ Chassis
WD-52725
WD-62725

V26++ Chassis
WD-52825
WD-62825

This service manual includes:

1. Assembly and disassembly instructions for the front and rear cabinet components.
2. Servicing of the Lenticular Screen and Fresnel Lens.
3. Servicing down to major components, chassis, Optical Engine, Lamp Ballast, etc..
4. Electrical adjustments.
5. Optical Adjustments.
6. Chip parts replacement procedures.
7. Simplified circuit path diagrams.
8. Overall PCB interconnect block diagram.

The parts list section of this service manual includes:

1. Cabinet and screen parts.
2. Electrical parts.

Block diagrams of the above listed models are included in this service manual for better understanding of the circuitry.

PRODUCT SAFETY NOTICE

Many electrical and mechanical parts in television receivers have special safety related characteristics. These characteristics are often not evident from visual inspection nor can the protection afforded by them necessarily be obtained by using replacement components rated for higher voltage, wattage, etc.

Replacement parts which have special safety characteristics are identified in this service manual.

Electrical components having such features are identified by shading on the schematic diagram and by bold type in the parts list of this service manual. **Therefore, the replacement for any safety part should be identical in value and characteristics.**

SAFETY PRECAUTIONS

NOTICE: Observe all cautions and safety related notes located inside the receiver cabinet and on the receiver chassis.

WARNING:

1. Operation of this receiver outside the cabinet or with the cover removed presents a shock hazard from the receiver's power supplies. Work on the receiver should not be attempted by anyone who is not thoroughly familiar with the precautions necessary when working on high voltage equipment.
2. When service is required, observe the original lead dress. Extra precaution should be taken to assure correct lead dress in the high voltage area. Where a short-circuit has occurred, replace those components that indicate evidence of overheating.

WARNING ... RISK OF EYE INJURY

Do not look into the light source, lens or mirror when operating the TV.

Leakage current check:

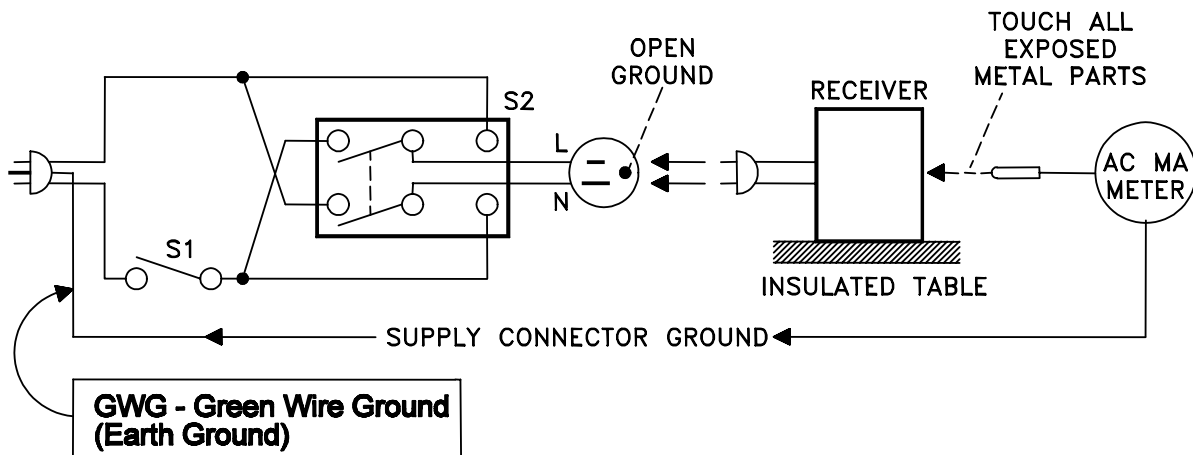
Before returning the receiver to the customer, it is recommended that leakage current be measured according to the following methods.

1. Cold Check

With the alternating current (AC) plug removed from the AC source, place a jumper across the two AC plug prongs. Connect one lead of an ohm meter to the AC plug and touch the other lead to each exposed metal part (i.e. antennas, handle bracket, metal cabinet, screw heads, metal overlay, control shafts, etc.), particularly any exposed metal part that has a return path to the chassis. The resistance of the exposed metal parts having a return path to the chassis **should be a minimum of 1Megohm**. Any resistance below this value indicates an abnormal condition and requires corrective action.

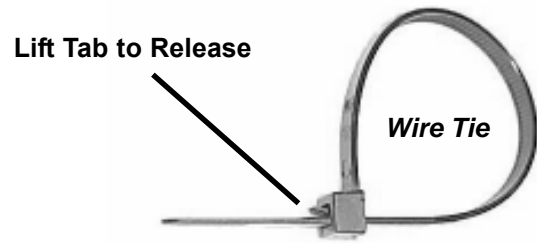
2. Hot Check ...Use the circuit shown below to perform the hot check test.

1. Keep switch S1 open and connect the receiver to the measuring circuit. Immediately after connection, and with the switching devices of the receiver in their operating positions, measure the leakage current for both positions of switch S2.
2. Close switch S1, energizing the receiver. Immediately after closing switch S1, and with the switching devices of the receiver in their operating positions, measure the leakage current for both positions of switch S2. Repeat the current measurements of items 1 and 2 after the receiver has reached thermal stabilization. **The leakage current must not exceed 0.5 milliampere (mA).**



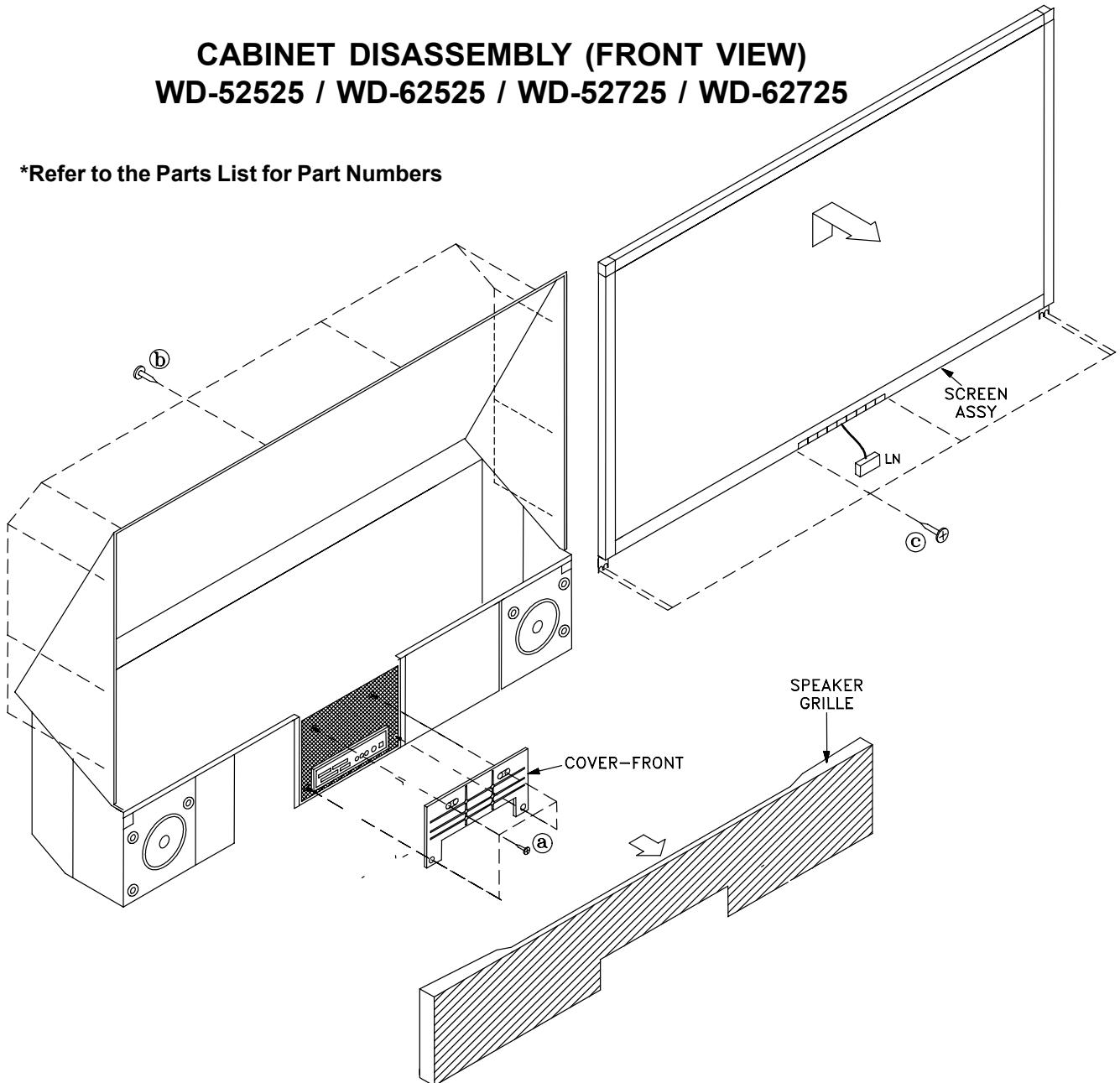
Reusable Wire Ties

Do not cut wire ties during disassembly, reusable wire ties are used in these models. Lift the tab to release the wire tie. During reassembly, re-use wire ties to ensure all wiring harnesses are properly bundled and dressed.



CABINET DISASSEMBLY (FRONT VIEW) WD-52525 / WD-62525 / WD-52725 / WD-62725

*Refer to the Parts List for Part Numbers

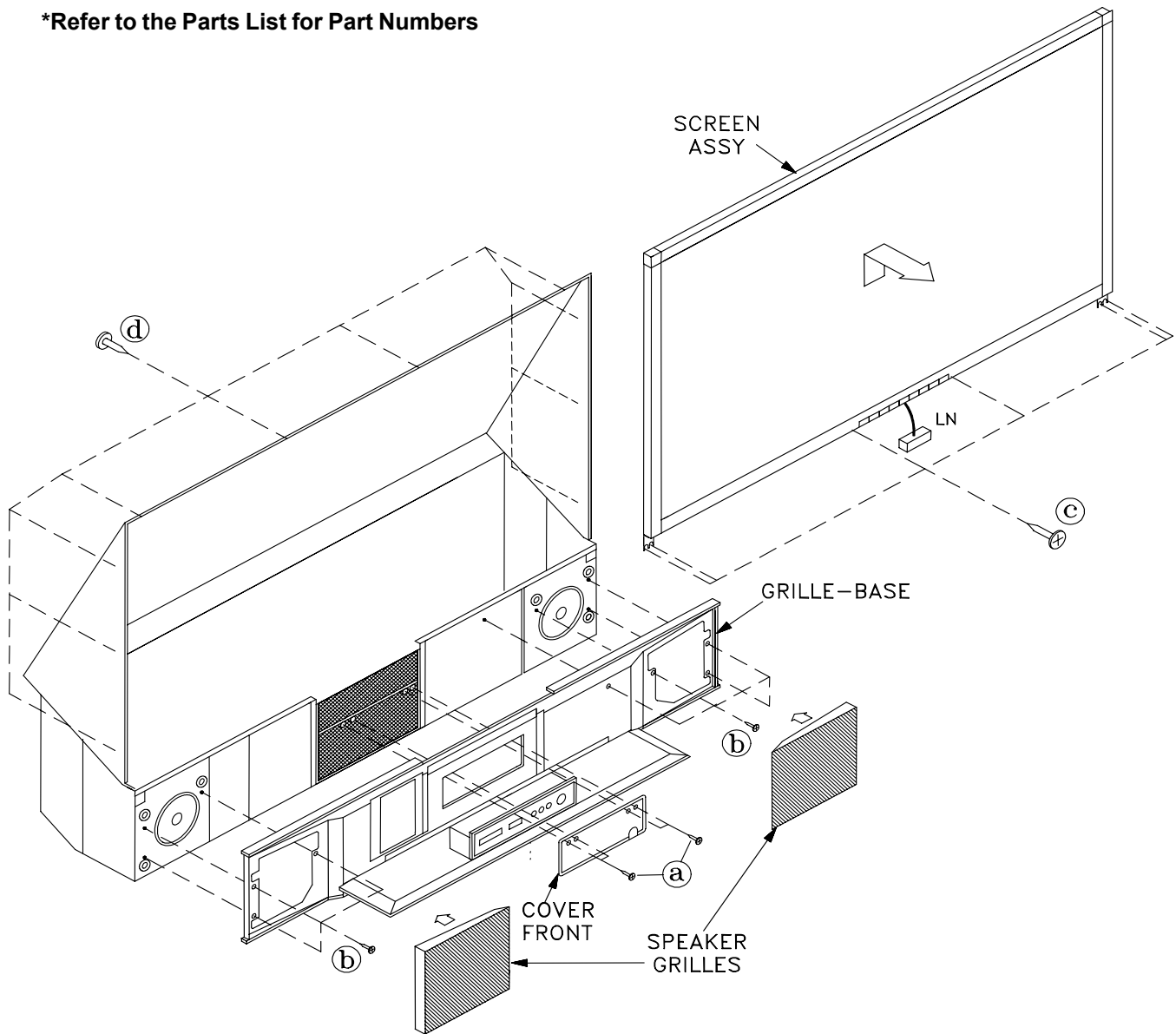


Front Cabinet Disassembly

1. Remove the SPEAKER-GRILLE by pulling forward.
2. Remove screws (a) to remove the COVER-FRONT.
3. Remove screws (b) on the rear of the upper back cover (4 across the top and 3 on each side).
4. Remove the 4 screws (c) holding the bottom of the Screen Assembly.
5. Unplug connector LN from the Control Panel.
6. Lift the Screen Assembly up slightly then pull towards the front to remove the assembly.

CABINET DISASSEMBLY (FRONT VIEW) WD-52825 /WD-62825

*Refer to the Parts List for Part Numbers



Front Cabinet Disassembly

1. Remove the SPEAKER-GRILLES by pulling forward.
2. Remove screws (a) to remove the COVER-FRONT.
3. Remove screws (b) to remove the GRILLE-BASE.
4. Remove screws (d) on the rear of the upper back cover (3 on each side and 4 across the top).
5. Remove the 4 screws (c) holding the bottom of the Screen Assembly.
6. Unplug connector LN from the Control Panel.
7. Lift the Screen Assembly up slightly then pull towards the front to remove the assembly
8. To disconnect the Card Reader and the Front Inputs:
 - Unplug the Card Reader USB connector from the PCB-DM.
 - Unplug the Front 1394 cable from the HDD Module (Hard Drive).
 - Unplug the CC connector from the Front Inputs.

CABINET DISASSEMBLY (REAR VIEW)

FILTER-COVER Removal

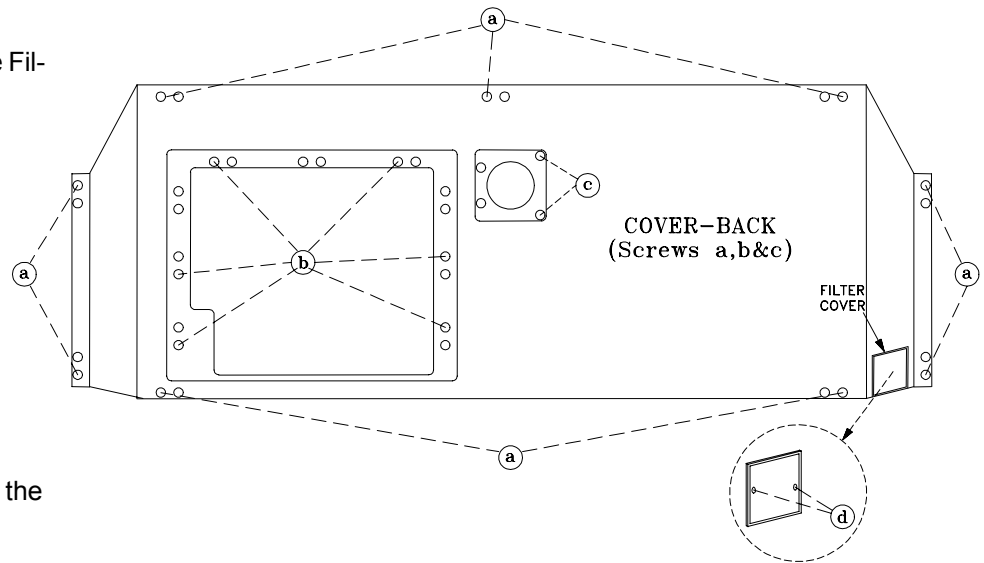
Remove 2 screws (d) to remove the Filter Cover.

COVER-BACK Removal

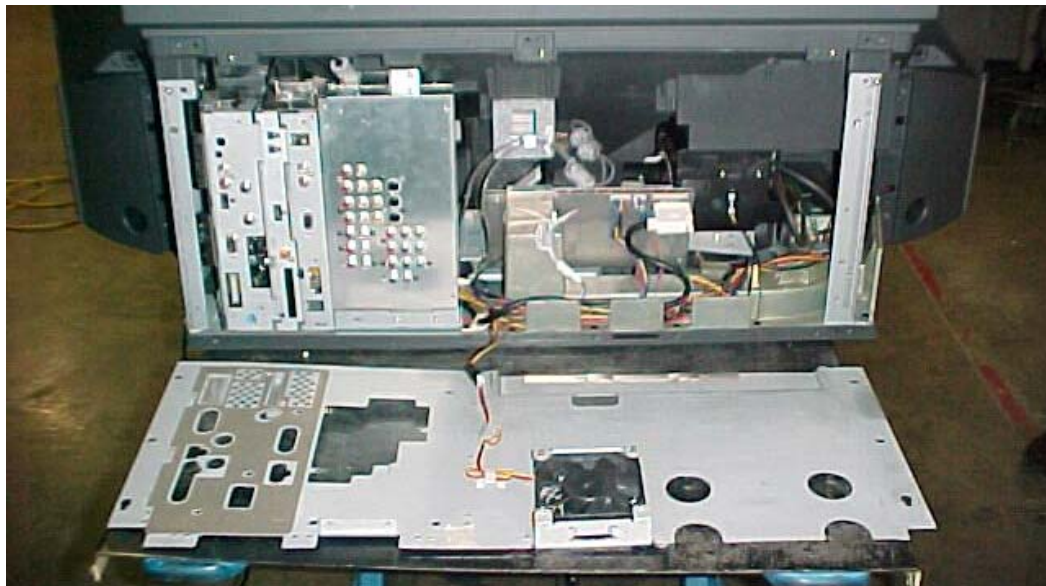
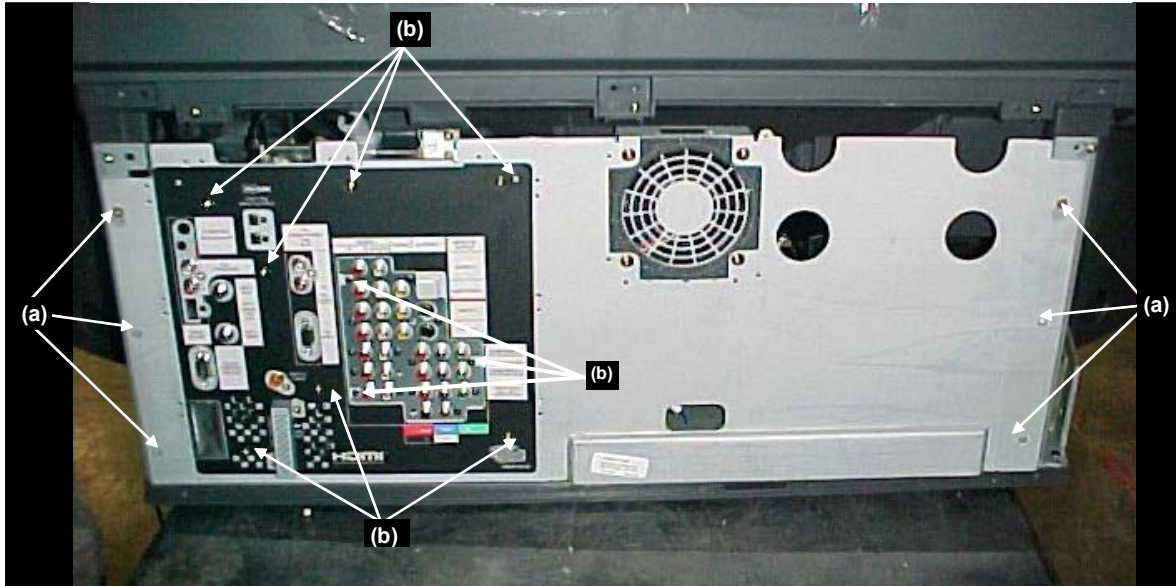
- 1) Remove 9 screws (a)
- 2) Remove 5 screws (b)
- 3) Remove 2 screws (c)
- 4) Pull the COVER-BACK from the cabinet.

Rear Plate Removal

- 1) Remove 6 screws (a)
- 2) Remove 10 screws (b)
- 3) Pull the Rear Plate from the cabinet.

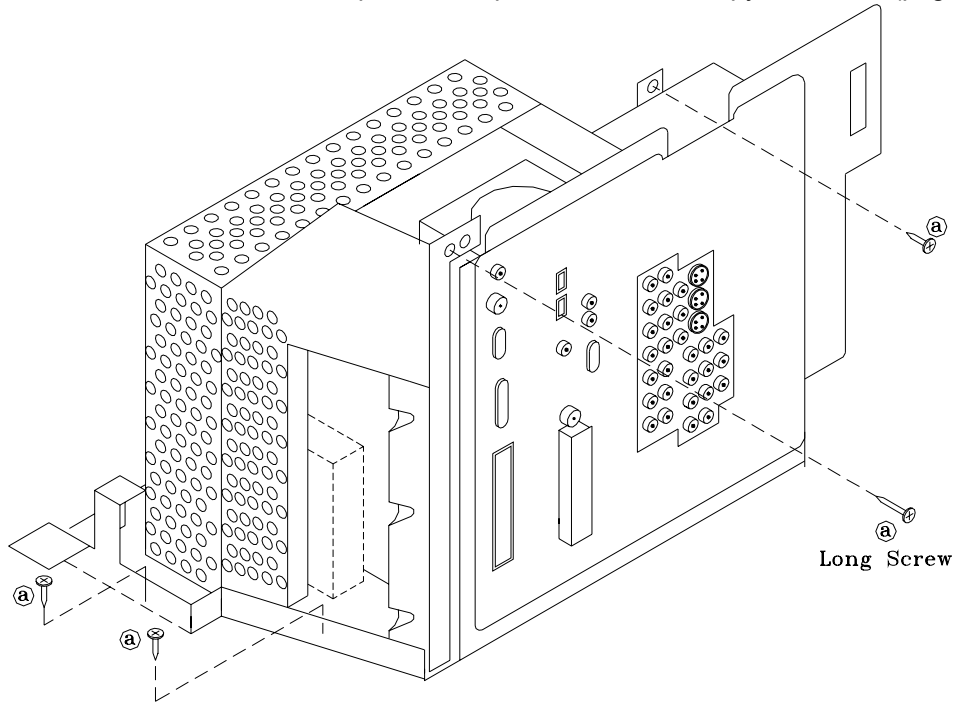


NOTE: To operate set with the Cover-Back and Rear Plate removed, re-install the Filter Cover and ensure the Exhaust Fan is connected.

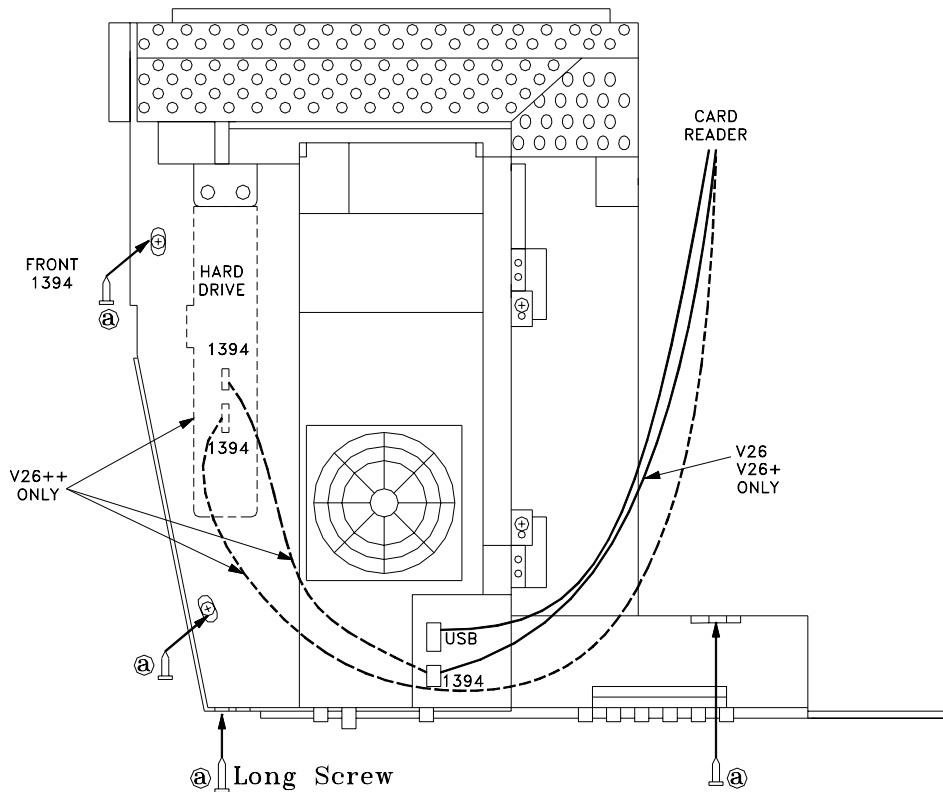


ELECTRICAL CHASSIS REPLACEMENT

- 1) Remove the 4 black screws (a) securing the chassis shown in the two diagrams below.
- 2) Unplug the USB and 1394 connectors from the Card Reader.
 - NOTE:** In the V26++ chassis the Card Reader 1394 connector plug into the Hard Drive Module.
- 3) Disconnect all cables to the front of the cabinet, the Optical Engine and the Lamp Ballast (see next page).
- 4) Carefully slide the chassis from the cabinet.
- 5) **IMPORTANT:** After Electrical Chassis replacement, perform the Data Copy Procedure (page 16).



(TOP VIEW)

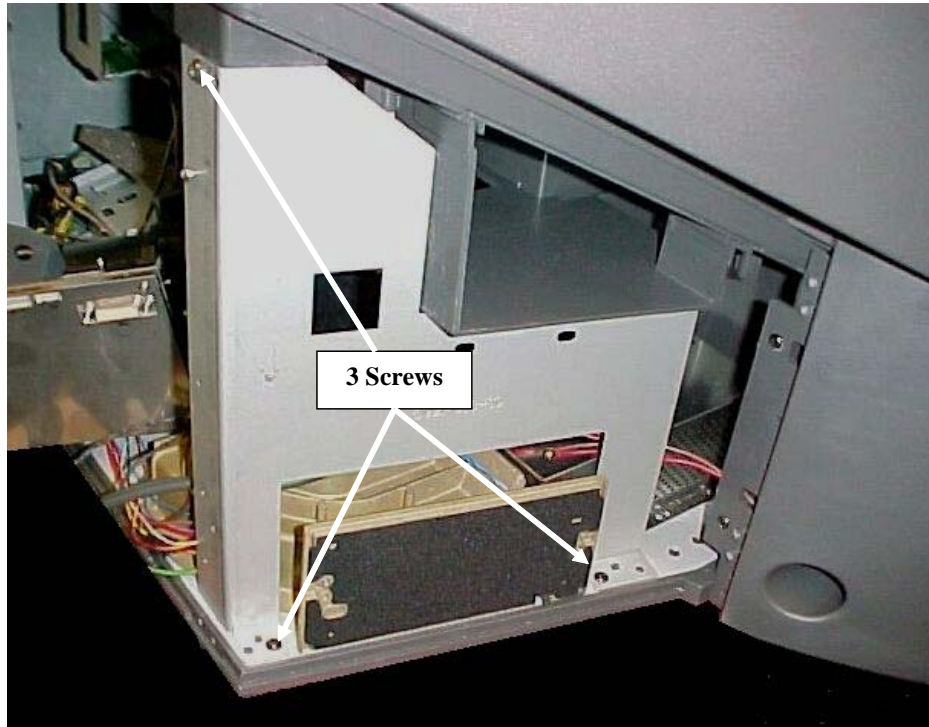


NOTE: To remove the chassis, the two connectors to the Lamp Ballast must be disconnected at the Lamp Ballast.

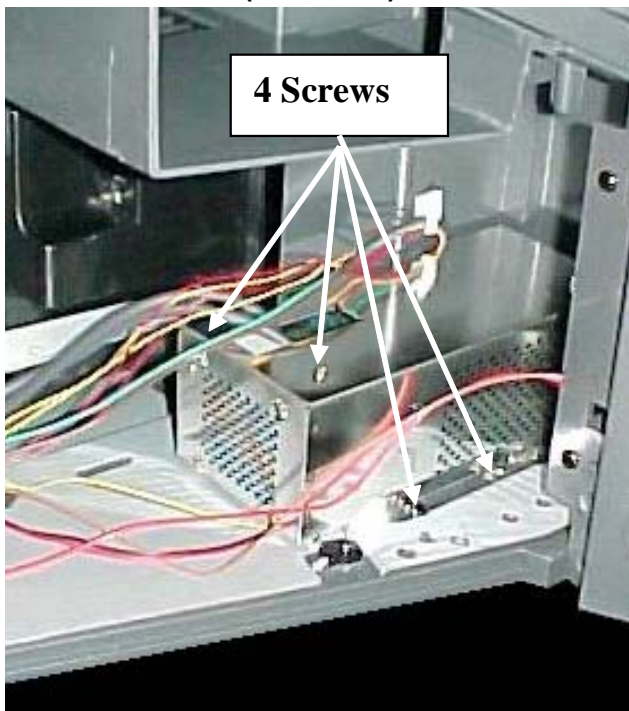
Accessing & Disconnecting The Lamp Ballast

Removing the Right Support

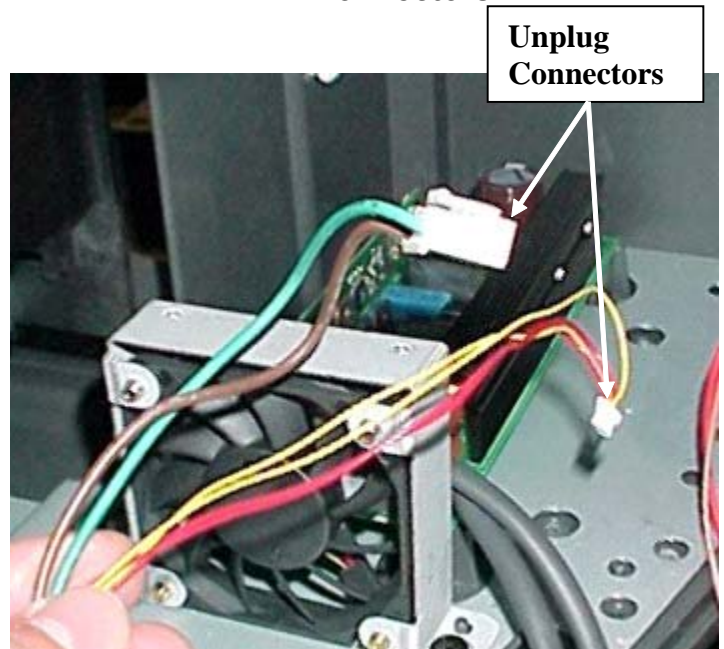
Remove the 3 screws shown below.



Removing the Lamp Ballast Shield (4 screws)

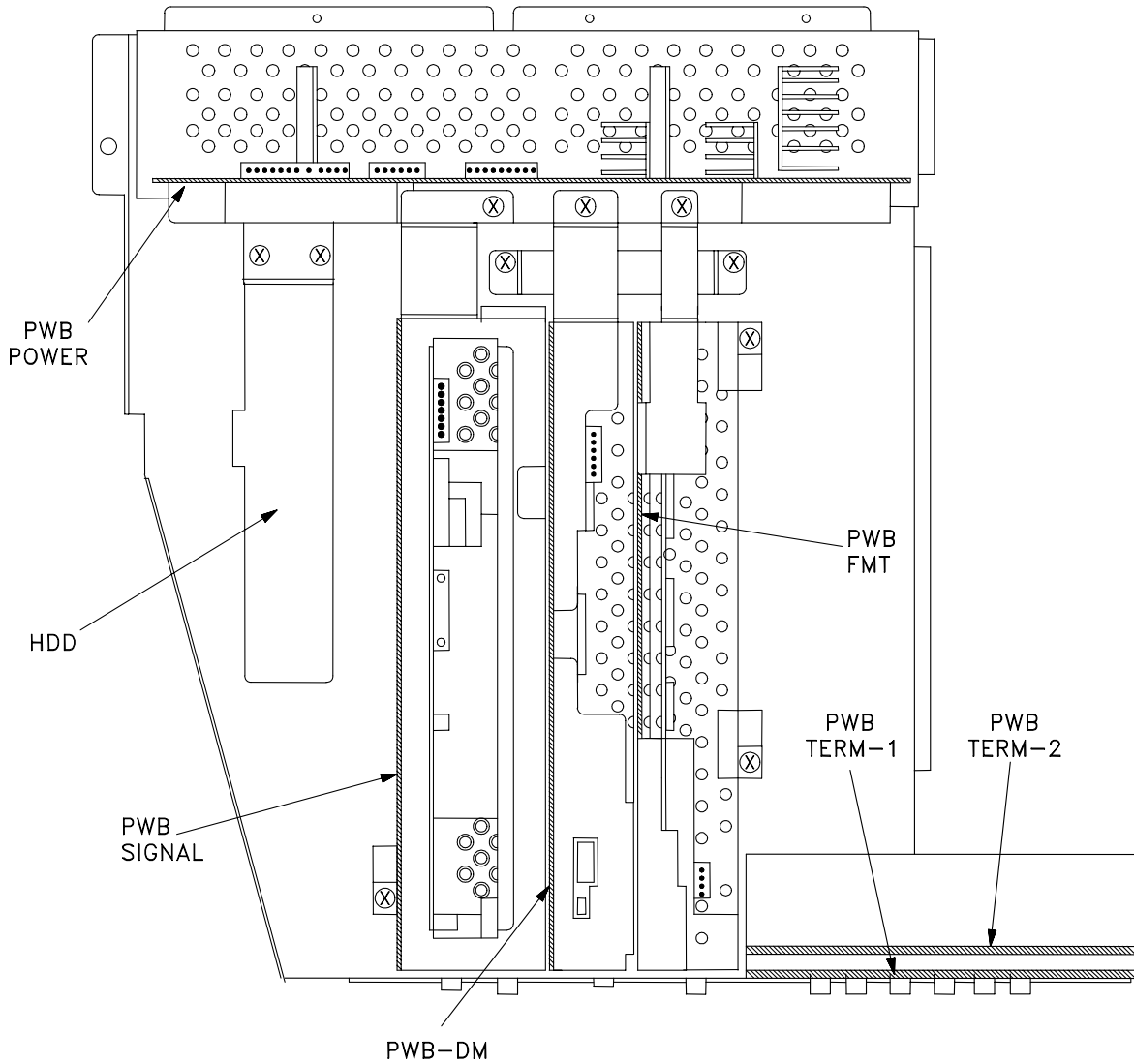


Unplug CN1 & CN2 Connectors



V26 Chassis PWB Locations

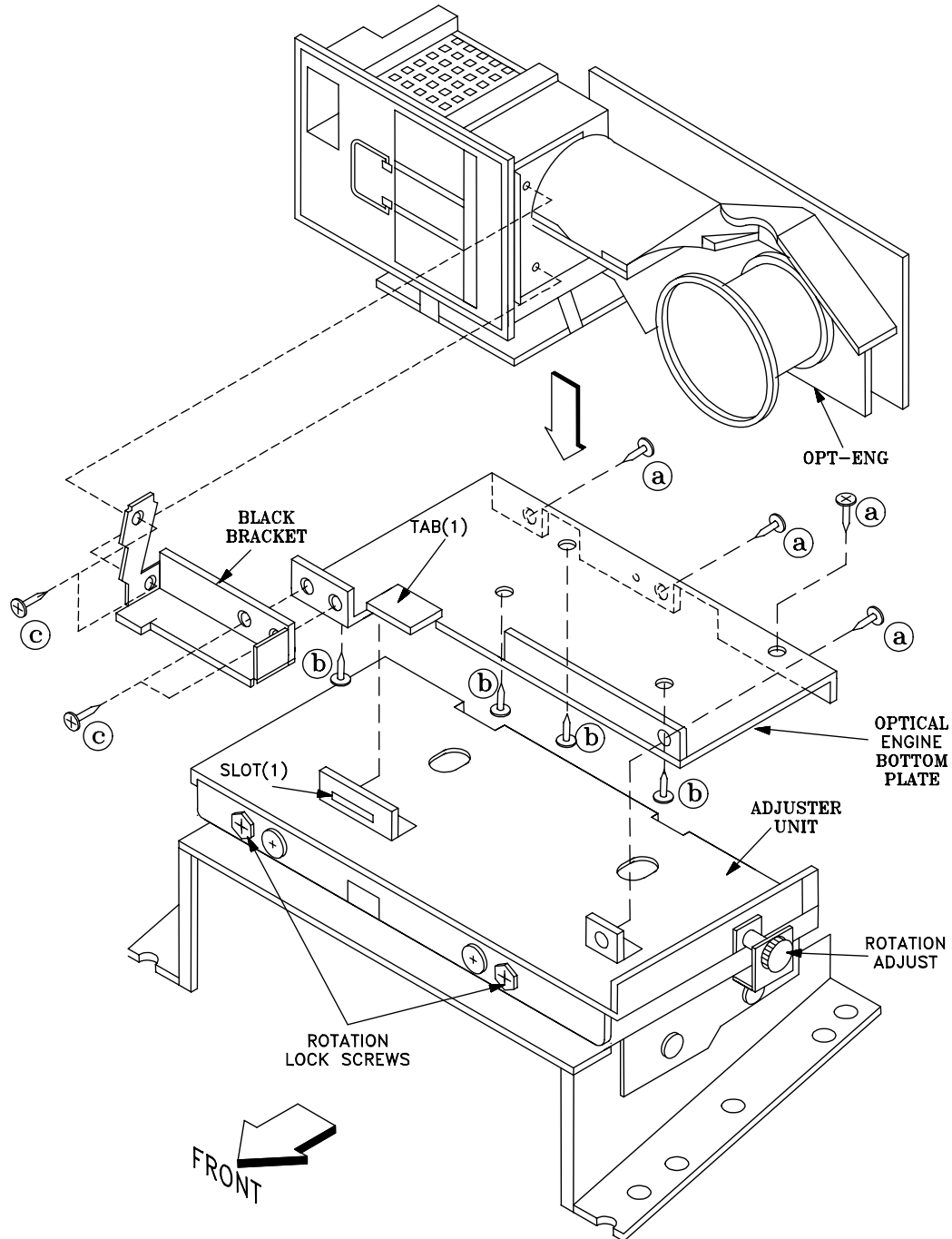
NOTE: The HDD is only in the V26++ models.



V26 Chassis PWB Location (Top View)

Optical Engine Replacement

Optical Engine Mounting

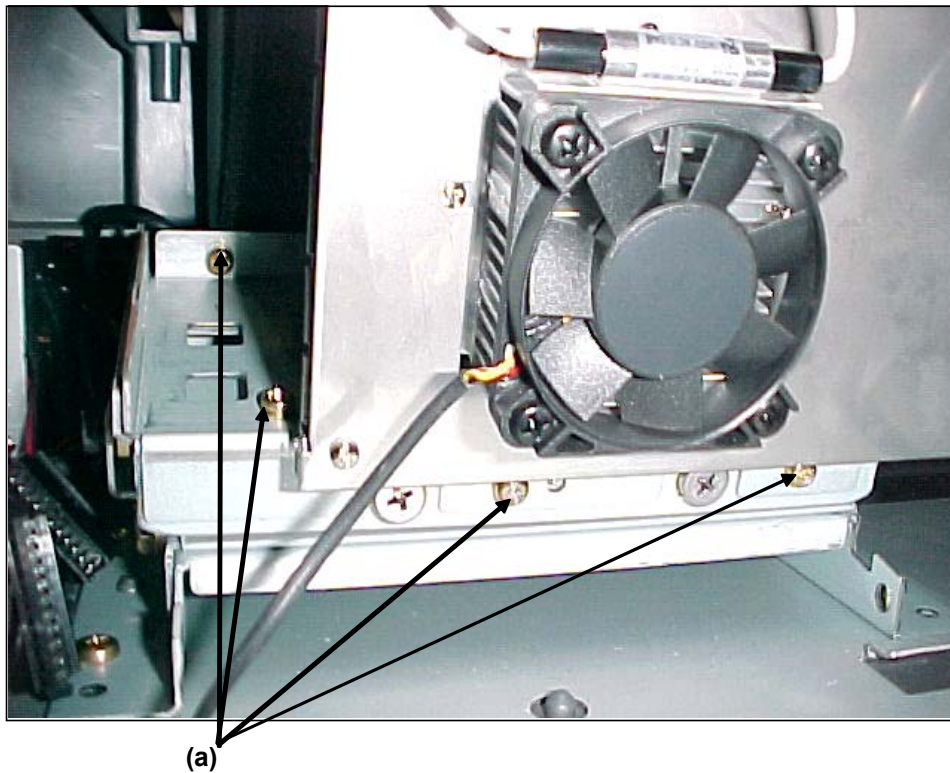
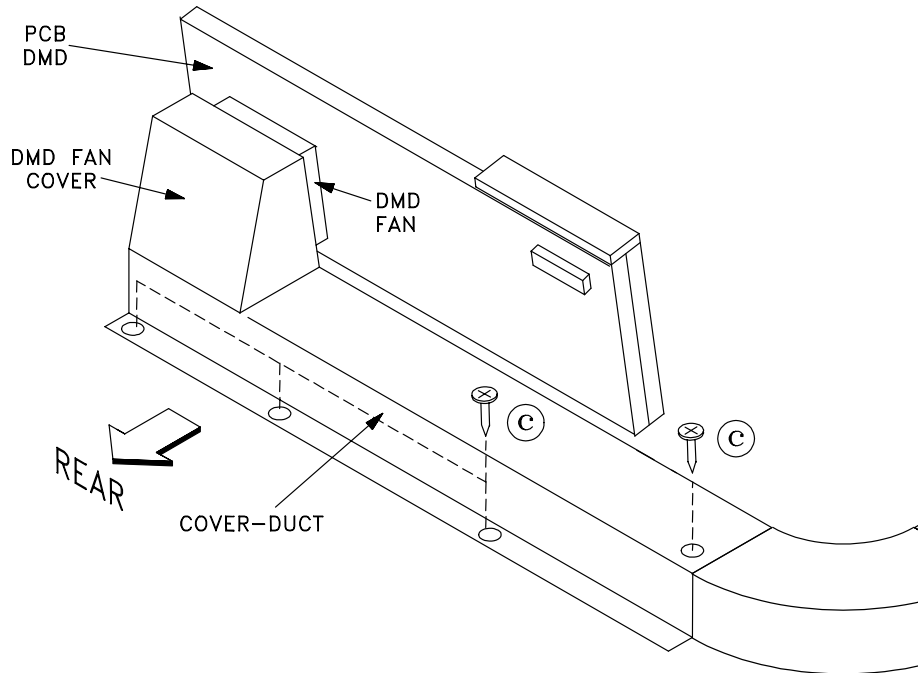


The Optical Engine is mounted on the Adjuster assembly as shown in the above diagram.

- 1) Four screws (a) secure the bottom plate and Optical Engine to the Adjuster assembly.
- 2) The bottom plate tab (1) slides into slot (1) on the Adjuster.
- 3) The Optical Engine is secured to the bottom plate by 4 screws (b).
- 4) The Black Bracket is secured to the bottom plate and the Lamp Box with 4 screws (c).
- 5) To replace the Optical Engine, the Optical Engine, bottom plate and black bracket need to be removed together as an assembly. Refer to the following pages for exact replacement instructions.

Removing the Optical Engine

- 1) Remove the Cabinet Back (refer to disassembly instructions).
- 2) Disconnect all connectors from the Optical Engine, Lamp Cartridge Housing and the PCB-DMD.
- 3) From the rear of the TV, remove the 4 screws (c), to remove the COVER-DUCT and DMD Fan cover.
- 4) From the rear of the TV, remove the 4 brass colored screws (a), shown below, securing the bottom plate to the Adjuster assembly.
- 5) Slide the Optical Engine/Lamp Cartridge Housing towards the rear to remove from the TV.



Optical Engine (Rear View / Airduct & DMD Fan Cover Removed)

Remove the following parts from the Optical Engine

- DMD Thermal Sensor
- The Optical Engine bottom plate and black bracket

DMD Thermal Sensor Removal (Figure 1)

- 1) Remove screw (a) on the top of the DMD Fan.
- 2) Set the Thermal Sensor aside to install on the replacement Optical Engine.

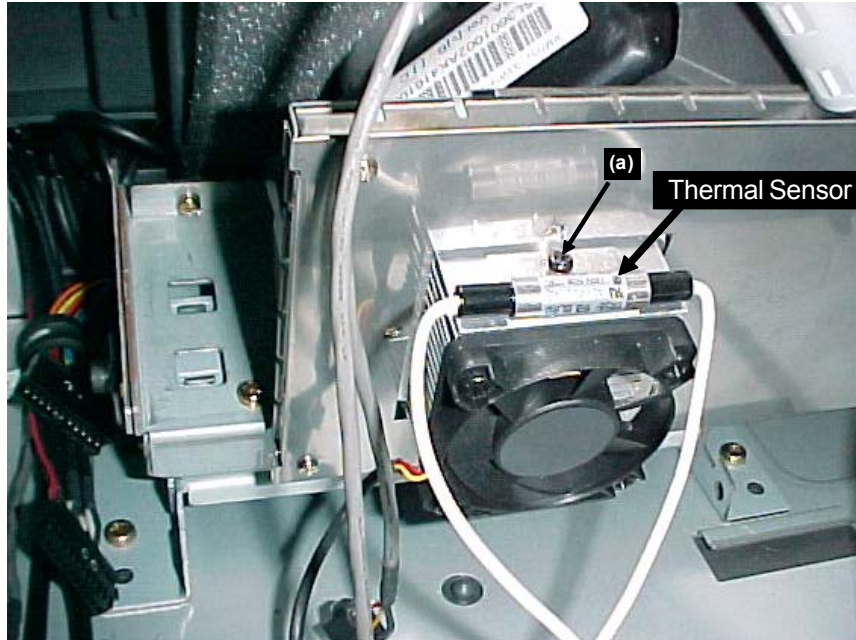


Figure 1: DMD Thermal Sensor

Bottom Plate & Black Bracket Removal

- 1) Remove the 4 screws (B) from the Bottom Plate (Figure 2)
- 2) Remove the two screws (C), holding the Black Bracket to the Lamp Box. (Figure 3)

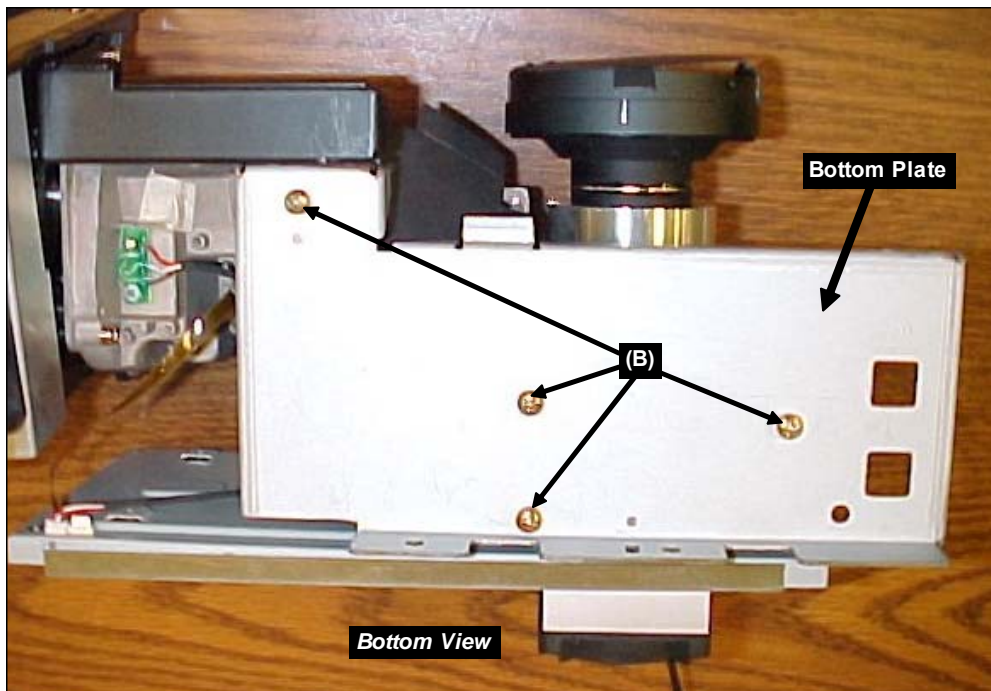


Figure 2: Bottom Plate

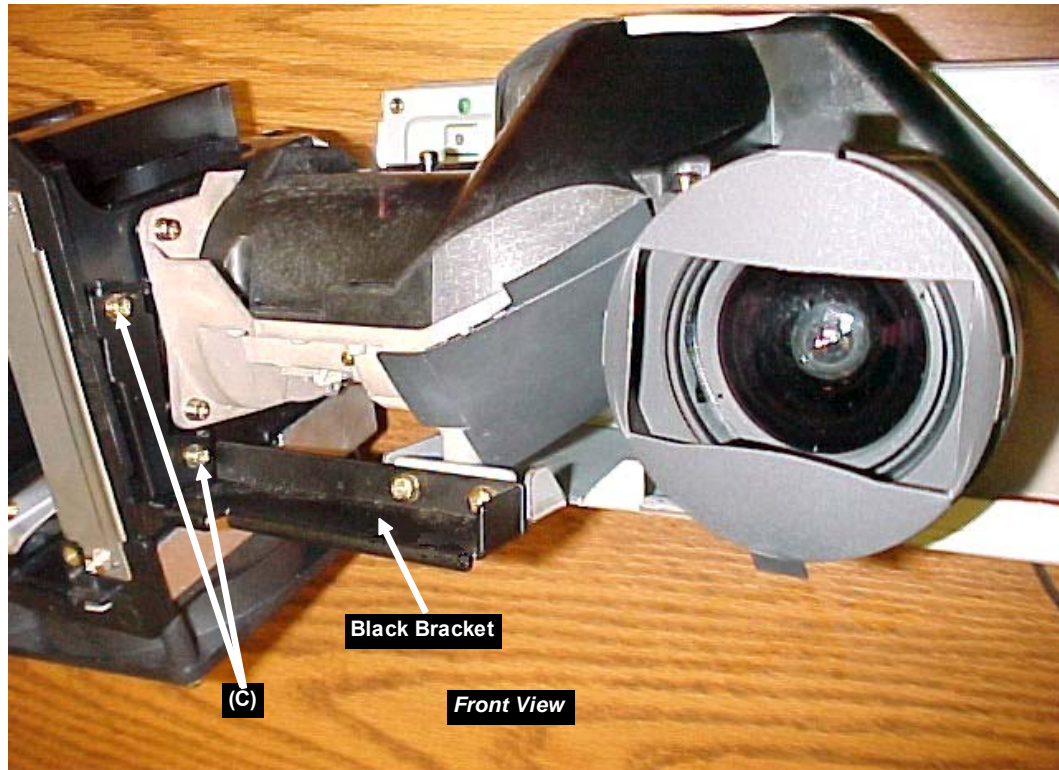


Figure 3: Black Support Bracket

Installing the Optical Engine

- 1) Install the Bottom Plate, Black Support Bracket and the Heat Sensor, removed from the original Optical Engine, on the replacement Engine
- 2) Reverse the removal procedure to install the replacement Optical Engine in the cabinet.
- 3) The following adjustments may have to be performed after the installation. (See Service Manual)
 - Horizontal and Vertical Electrical Centering Adjustment.
 - Optical Unit Rotation Adjustment
 - Optical Unit Keystone Distortion Adjustments.
- 4) **IMPORTANT:** After Optical Engine replacement, perform the Data Copy Procedure described below.

Data Copy Procedure

This procedure must be performed after replacing either the Electrical Chassis or Optical Engine.

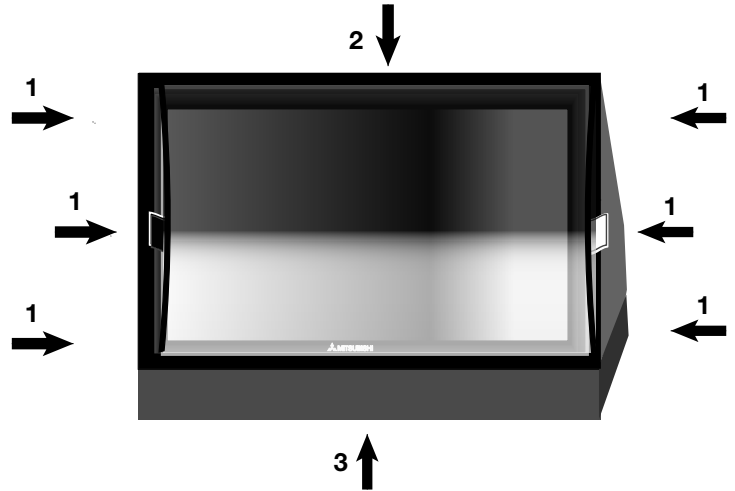
- 1) To display the data copy menu press <TV MENU> <2-4-5-7> <0>
- 2) Use the cursor keys to yellow highlight "Copy Light Engine EEPROM to DM"
- 3) Press <ENTER>
- 4) After the copy procedure has been completed, exit the menu by pressing <HOME>

Copy Light Engine EEPROM to DM
Restore backup
UPLOAD TERMINAL BOARD DATA

DIAMOND SHIELD REPLACEMENT

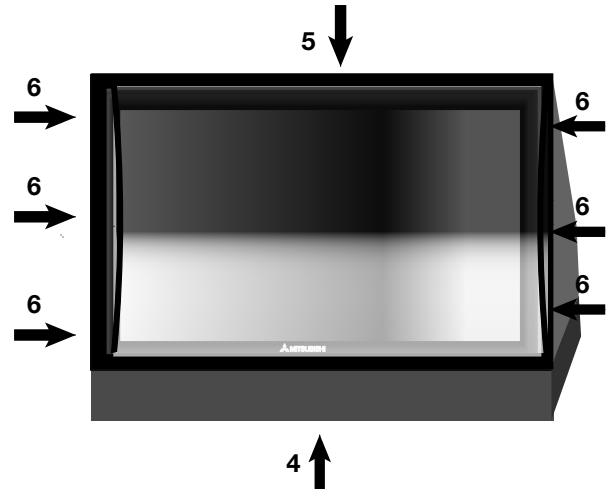
To Remove the Diamond Shield:

1. While wearing soft cotton gloves, loosen the sides of the Diamond Shield by pressing a small plastic card (the size of a standard credit card or a clean, plastic, putty knife) into the middle of the side slot. The Diamond Shield side will snap out of the top middle and bottom clips. Loosen both sides before proceeding to step 2.
2. After the sides are free, gently push down on the top of the Diamond Shield. It will slide out of the top channel.
- 3 Carefully pull the screen up to remove it from the bottom channel. Store the Diamond Shield in a clean, dust free area, where it will not be scratched.



To Install the Diamond Shield:

4. Slide the Diamond Shield into the bottom channel, making sure it fits securely.
5. Press gently on the top of the Diamond Shield to slightly bow the screen towards you. Insert the top of the Diamond Shield into the top channel. It should fit securely.
6. At each side, gently press the top, middle and bottom of the Diamond Shield to snap it back into place.



WARNING

Sharp edges! Always wear gloves to handle, lift, install and remove the Diamond Shield.

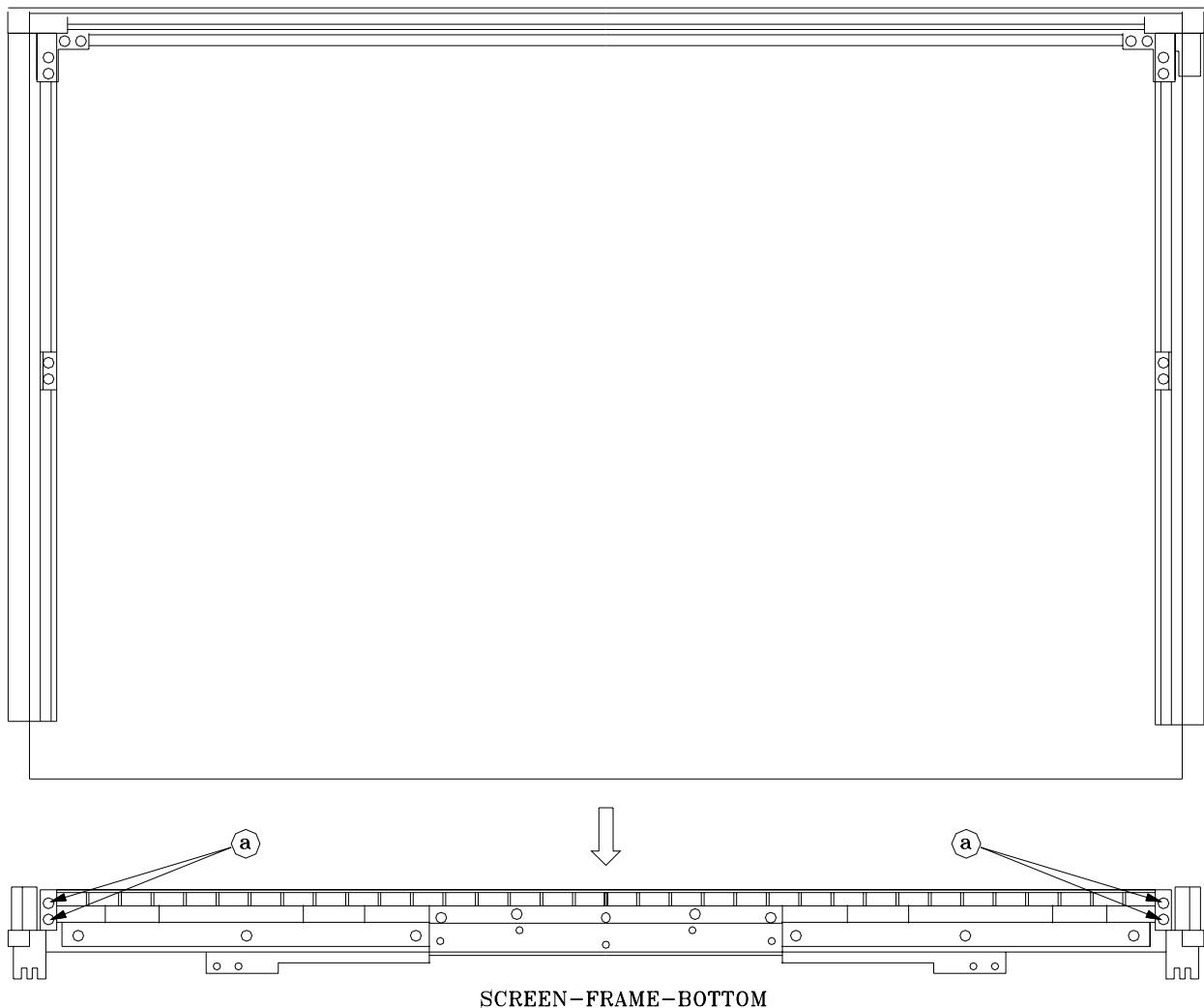


SERVICING THE LENTICULAR SCREEN AND FRESNEL LENS

CAUTION: **Wear gloves** when handling the Lenticular Screen and Fresnel Lens.
This prevents cuts and finger prints. **Do not place Fresnel Lens in the sun.**
This may cause fire and heat related injuries.

Lenticular Screen and Fresnel Lens Removal

1. Remove the screen assembly shown in the Cabinet Disassembly procedure.
2. Remove the four screws (a) to remove the bottom of the SCREEN-FRAME-BOTTOM .
3. Carefully slide the Lenticular Screen and Fresnel Lens combination from the Screen Frame assembly.
Note: When separating the Lenticular Screen from the Fresnel Lens, use caution while prying the Screen and Lens apart. Use a slot type screw driver, and remove the pressure sensitive double sided tape.

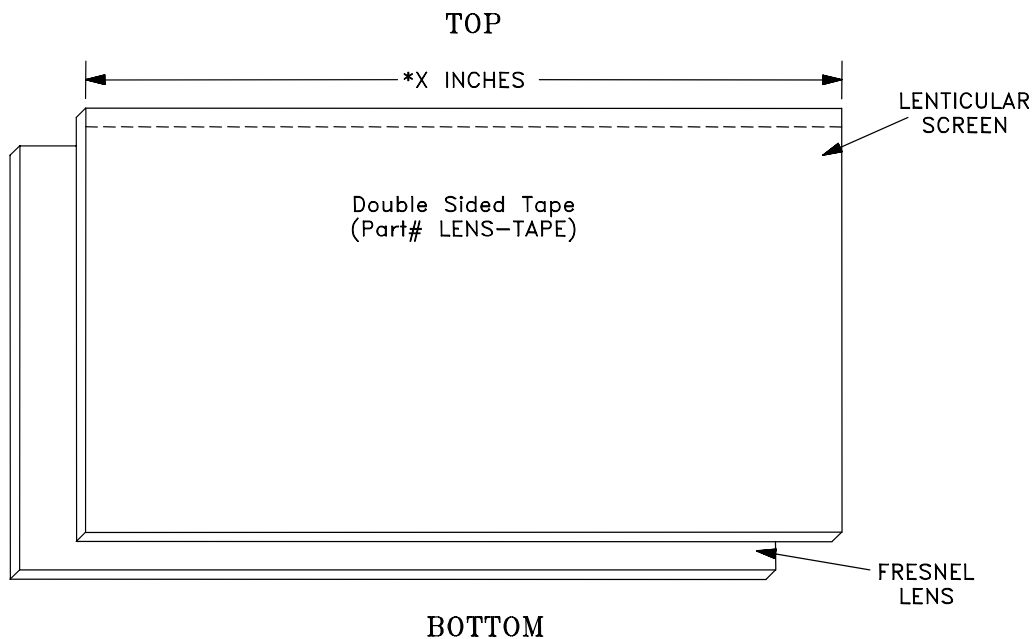


SERVICING THE LENTICULAR SCREEN AND FRESNEL LENS

Lenticular Screen and Fresnel Lens Installation

Note: Store the Lenticular Screen and Fresnel Lens in a cool dry place. High heat and humidity may deform the Lenticular Screen and Fresnel Lens.

1. Apply double coated tape (Part #LENS-TAPE) along the top rear edge of the Lenticular Screen, as shown below. Refer to the table below for the tape length.
2. Place the Fresnel Lens on top of the Lenticular Screen and apply pressure at the top edge to bond them together.
3. Reverse the Screen Removal procedure to insert the screens in the Screen Frame Assembly.



*X INCHES - Refer to the Tape Length in the table below

MODEL	SCREEN SIZE	TAPE LENGTH
WD-52525	52 Inches	46.3 Inches
WD-52725	"	"
WD-52825	"	"
WD-62525	62 Inches	55.1 Inches
WD-62725	"	"
WD-62825	"	"

INITIAL SETUP

OPTION MENU

1. Press the "MENU" button on the remote hand unit.
2. Press the buttons "2", "4", "7" and "0" in order. (The screen will change to the option menu.)
3. Select "Initialize" and press <ENTER> to restore all Initial Main Menu Defaults and A/V Reset Default settings to those listed in the following two tables.

OPTION MENU <TV MENU> <2-4-7-0>

Initialize	
Power Restore:	Off
DTV Port:	AUTO
Direct Key Mode:	Off
NetCommand Software:	V26 XXX.XX
Digital Signal Strength:	X
00000	00000
00000	00000
00000	00000
00000	00000
00000	00000
Total TV On Time	Current Lamp Time
	Previous Lamp Time
	Previous Lamp Time 2
	Previous Lamp Time 3

Initial Main Menu Defaults

Setup Menu	English	V-Violence	Enable
Language	English	Programs Not Rated	Enable
Combine Channel View	--	Movie Rating	PG
NetCommand Menu		V-Chip Time	
Edit	--	Start	12:00pm
Transport Menu	On	Stop	12:00pm
Default Digital Record Device	--	Lock by Time	
Icon Order	--	Lock by Time	On
Antenna Menu		Lock Time	12:00pm
Antenna	1	Unlock Time	12:00pm
Memorize	--	Front Button Lock	Off
Prefer Digital	--	Audio/Video	
Channel	3	A/V Memory Reset	Ant-1
Memory	Added	Settings	
Name	--	Audio	
SQV	--	Bass	50%
Time Menu		Treble	50%
Clock Setting	Manual	Balance	50%
Time	12:00pm	Surround	Off
Date	--	Listen to (Analog Only)	Stereo
Time Zone	--	Level Sound (Analog Only)	On
Daylight Savings Time	--	Language (Digital Only)	English
Timer	--	Video	
Captions Menu		Contrast	100%
Analog Captions	On if Mute	Brightness	50%
Background	Gray	Sharpness	50%
Digital Caption	On if Mute	Color	50%
Appearance	Default	Tint	50%
Digital Settings		Color Temp	High
Font	Font 3	Video Noise	Standard
Size	Large	Film Mode (Auto)	On
Color	White	Define Edge	On
Background	Black	Color Balance	
Opacity	Translucent	Video Mute	On
Background Opacity	Translucent	black Enhancement	On
V-Chip Lock Menu		TV Speakers	On
V-Chip	Off	TV Volume	30%
TV Rating	TV-PG	PIP Source	Ant 1 003
FV-Fantasy Violence	Enable	PIP Position	Lower Right
D-Sexual Dialog	Enable	POP Position	Right Half
L-Adult Language	Enable	PIP/POP Format	Double Window
S-Sexual Situations	Enable	Format	Stretch

A/V RESET DEFAULT SETTINGS (By Input)

A/V Memory	Ant 1/2	INPUTS 1/2/3	Component 1/2/DTV	1394 when connected	HDMI	Card 1~4
Contrast	Max.	Max.	Max.	Max.	Max.	N/A
Brightness	Center	Center	Center	Center	Center	N/A
Sharpness	Center	Center	Center	Center	Center	N/A
Color	Center	Center	Center	Center	Center	N/A
Tint	Center	Center	Center	Center	Center	N/A
Color Temp.	High	High	High	High	High	N/A
Video Noise	Standard	Standard	Standard	N/A	N/A	N/A
TV Film Mode (Auto)	On	On	On	N/A	On	N/A
TV DefinEdge VSM	On	On	On	On	On	On
Bass	Center	Center	Center	Center	Center	Center
Treble	Center	Center	Center	Center	Center	Center
Balance	Center	Center	Center	Center	Center	Center
Surround	OFF	OFF	OFF	OFF	OFF	N/A
Listen To	Stereo	N/A	N/A	N/A	N/A	Stereo
Level Sound	On	On	On	On	On	N/A

A. A/V Memory

Each of the external inputs has its own Audio/Video Memory. A change in an A/V setting at a specific input is stored in memory for that specific input.

B. A/V Reset

The AV Memory Reset in the user’s menu initializes the selected input’s A/V Memory.

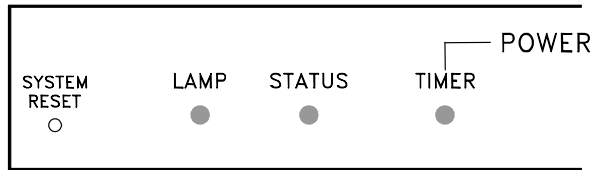
Remote Control Operational Modes

There are two Remote Hand Unit Operational Modes, “Standard” and “NetCommand™”. The Remote is initially in the “Standard” mode. The “NetCommand” mode is used when controlling Home Theater devices using NetCommand. To change the Remote Operational Mode:

- Set the Remote to the TV Layer
- Point the Remote away from the TV.
- To change to “Netcommand” ... Hold the “Power” button and press “9-3-5” in sequence.
- To change to “Standard” ... Hold the “Power” button and press “0-0-0” in sequence.

FRONT LED INDICATOR DIAGNOSTICS

The front panel LEDs provide an indication of the sets operation, and the possible cause of a malfunction. There are three front panel LEDs, "Power", "Status" and "Lamp". Which LED is lit, the color, and whether it is blinking or steady indicate the current status, or a possible malfunction.




Front Panel LEDs

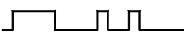
Normal LED Indications


POWER LED	STATUS LED	LAMP LED	Power Status	Condition
Off	Off	Off	Stby	Off
Green	Off	Off	P-ON	Power On
Off	Off	Blinks Green	After Turn Off	Lamp Fan On for 1 minute
Blinks Green	Off	Off	Stby	Booting after AC applied
Slow Blinks Green	Off	Off	Stby	On Timer is set

Abnormal LED Indications

POWER LED	STATUS LED	LAMP LED	Power Status	Condition
Off	Yellow	Off	Low Power	Excess Temperature
Off or On	Off	Yellow	No change	Usage time over 4000 Hrs.
Off	Off	Blinks Yellow	Low Power	Lamp Cover open
Off	Blinks Yellow	Off	"	Filter Cover Open
Off	Off	Red	Stby	Lamp did not turn On
Off	*Blinks Red	Off	Low Power	Chassis Fan Stopped
Off	**Blinks Red	Off	"	Ballast or Exhaust Fan Stopped
Off	***Blinks Red	Off	"	DMD or Lamp Fan Stopped
Off	Red	Off	"	Short or DVI Cable from FMT to DMD disconnected

*Blinks = (1 long/1 short) 

**Blinks = (1 long/2 short) 

***Blinks = (1 long/3 short) 

3. Error Code Operational Check

Note: The TV must be in “Shut Down” and not manually switched Off, to perform the Error Code Operational Check. When the TV is switched Off, the code automatically resets to “12” No Error.

Press the front panel “DEVICE” and “MENU” buttons at the same time, and hold for 5 seconds to activate the Error Code Operational Check. The LED will then flash denoting a two digit Code.

Note: The front panel buttons must be used, NOT those on the Remote Control.

- The number of flashes indicates the value of the MSD (tens digit) of the Error Code.
- The flashing then pauses for approximately 1/2 second.
- The LED then flashes indicating the value of the LSD (ones digit) of the Error Code.
Example: If the Error Code is “32”, the LED will flash three times, pause, and then flash two times.
- The Error Code is repeated a total of 5 times.

4. Error Codes

The Error Code designations are listed below:

ERROR CODES

Press and Hold "DEVICE" and "MENU" FOR 5 SECONDS

Error Code	Probable Cause
12	No error detected
22	Recovery from momentary Reset
32	Lamp Cover open
33	Air Filter Cover open
34	Lamp abnormality
35	Chassis Fan failure
36	Exhaust (Back Cover) or Lamp Ballast Fan failure
37	Engine (DMD or Lamp) Fan failure
38	Excess Lamp Temperature
39	Excess DMD Temperature
41	Short Detected
44	DVI Cable (between Chassis and Engine) disconnected

SERVICE ADJUSTMENTS

There are only 5 Service Adjustments required:

Two Electrical Adjustments

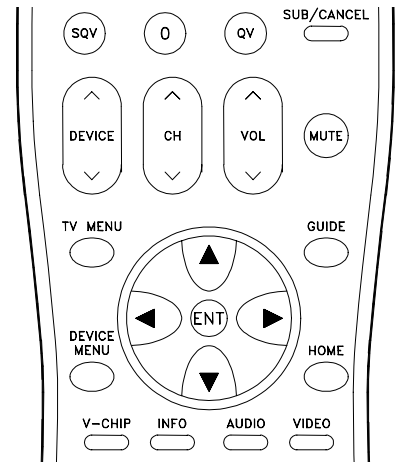
- Horizontal Centering
- Vertical Centering

Three Mechanical Adjustments

- Picture Rotation
- Horizontal Keystone Distortion
- Vertical Keystone Distortion

Tools, Test equipment and Test signals

- Conventional Hand Tools.
- No additional Test Equipment is required.
- Test Signals are internally generated, no external signals are required.



Circuit Adjustment Mode

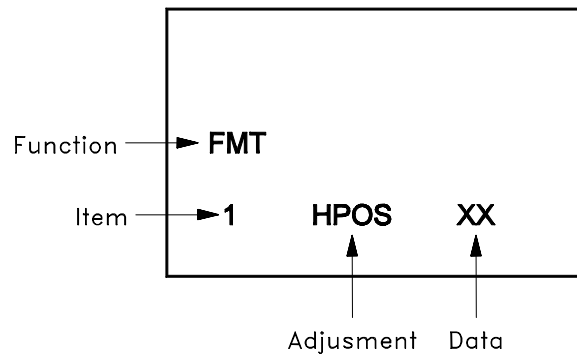
On these models, the Circuit Adjustment Mode is used only for:

- Test Signal activation
- Horizontal Centering
- Vertical Centering

1. Activating the Circuit Adjustment mode

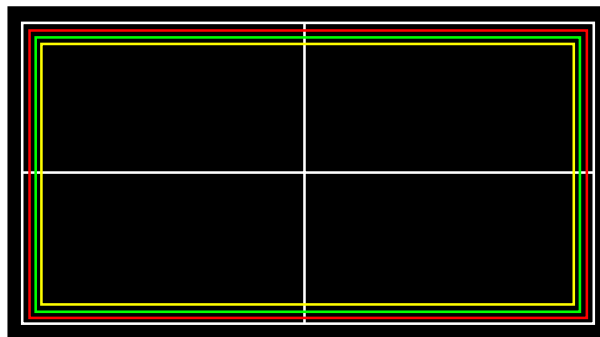
1. Press the "TV MENU" button on the remote control.
(The Customer Menu will appear.)
2. Press the buttons "2", "4", "5" and "7" in that order.
(The screen will change to the adjustment mode.)
If unsuccessful, repeat steps 1 and 2.

MENU-2-4-5-7



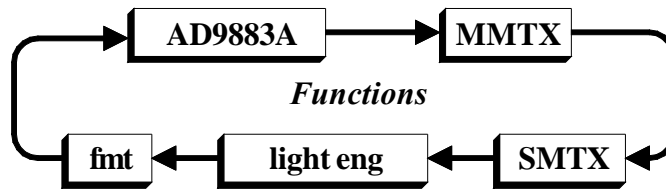
2. Test Signal Activation

When in the Circuit Adjustment mode, press "REWIND" once on the remote control to activate the test pattern. This pattern is used for both electrical and mechanical adjustments.



3. Adjustment Function Selection

Use the "AUDIO" button to select a specific Adjustment Function.



4. Adjusting Data

After selecting an adjustment item, use the UP and DOWN cursor buttons to change adjustment data.

- If the UP button is pressed, the adjustment data increases.
- If the DOWN button is pressed, the adjustment data decreases.

5. Saving data

Press "ENTER" to save the adjustment data in memory.

The display characters go red for about one second in this step.

Note: If the circuit adjustment mode is terminated without pressing "ENTER", changes in adjustment data are not saved.

6. Terminating the circuit adjustment mode

Press the "HOME" button or the "MENU" button twice on the remote to terminate the adjustment mode.

Note: The adjustment mode can be also terminated by turning the power off.

Resetting Data to Factory Values

- 1) Enter the Service Adjustment Mode ... Press "TV MENU" "2-4-5-7"
- 2) Press "0" when in the Service Mode ... Three choices appear at the top of the screen.

"TV MENU" "2-4-7-0" then "0"

Copy Light Engine EEPROM to DM
Restore backup
UPLOAD TERMINAL BOARD DATA

- 3) Use UP & DOWN keys to highlight the desired choice, then Press "ENTER"
 - **Copy Light Engine EEPROM to DM** ... required after replacing the Light Engine or Electrical Chassis.
 - **Restore Back Up** ... resets Service Mode data back to factory values. Use this feature if service adjustment data has been corrupted or improper adjustments have been performed.
 - **Up Load Terminal Board Data** ... uploads White Balance data from PWB-SIGNAL.
 (Do Not Select. This option is for depot level service only.)

SERVICE MODE - Adjustment Items and Initial Data Values

AD9883A

Item #	Abbrev.	Description	Data Range
12	ROFF	Red Offset	0~127
14	BOFF	Blue Offset	0~127

Main Matrix (MMTX)

Item #	Abbrev.	Description	Data Range	Initial Data
1	TNTM	Hue Control	0~63	31
4	COLM	Color Gain Control	0~63	19
15	YDRM	Y Drive Gain Control	0~31	5
19	VPDM	V Signal Pedestal Control	0~15	2
20	UPDM	U Signal Pedestal Control	0~15	2

Sub Matrix (SMTX)

Item #	Abbrev.	Description	Data Range	Initial Data
1	TNTS	Hue Control	0~63	31
4	COLS	Color Gain Control	0~63	16
15	YDRS	Y Drive Gain Control	0~31	5
19	VPDS	V Signal Pedestal Control	0~15	2
20	UPDS	U Signal Pedestal Control	0~15	2

Light Engine (light eng)

Item #	Abbrev.	Description
120	GGH	Temp. H Green Gain
121	GRH	Temp. H Red Gain
122	GBH	Temp. H Blue Gain
123	GGM	Temp. M Green Gain
124	GRM	Temp. M Red Gain
125	GBM	Temp. M Blue Gain
126	GGL	Temp. L Green Gain
127	GRL	Temp. L Red Gain
128	GBL	Temp. L Blue Gain

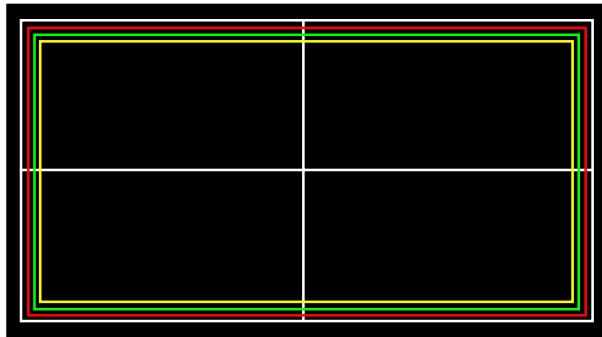
Format (fmt)

Item #	Abbrev.	Description	Data Range
1	HPOS	Horizontal Position	0~255
2	VPOS	Vertical Position	*0~255

* **Do Not** set VPOS Data to 0 or 255 and press Enter.
 (Video will be muted and On Screen Menus will no longer be visible.)

Electrical Adjustments

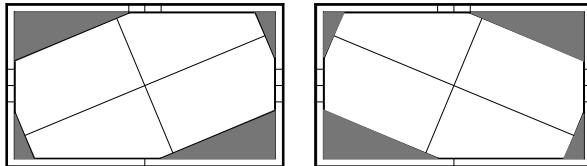
[PICTURE POSITION]		Purpose: To center picture on the screen.
1. Horizontal/Vertical Position		Symptom: Picture is off center. NOTE: The TV should be placed on a flat level surface. Improper installation can affect raster geometry.
Measuring Instrument	----	<ol style="list-style-type: none"> 1. Select the ANT-DTV Input, no signal. 2. Press "TV MENU-2-4-5-7" in sequence 3. Press "REWIND" to activate the Test Pattern shown above. 4. Press "AUDIO" to select "FMT" function. 5. Use the "VIDEO" button to select "1 HPOS". 6. Use the "ADJUST" buttons to center the picture Horizontally. 7. Press "ENTER" to save the adjustment. 8. Use the "VIDEO" button to select "2 VPOS". 9. Use the "ADJUST" buttons to center the picture Vertically. 10. Press "ENTER" to save the adjustment. CAUTION: DO NOT set VPOS data to "0" or "255" and press ENTER. Video will be muted and On Screen Menus will no longer be visible. 11. Press "HOME" or "TV MENU" twice to terminate the Adjustment Mode.
Test Point	----	
Ext. Trigger	-----	
Measuring Range	-----	
Input Signal	None	
Input	ANT-DTV	



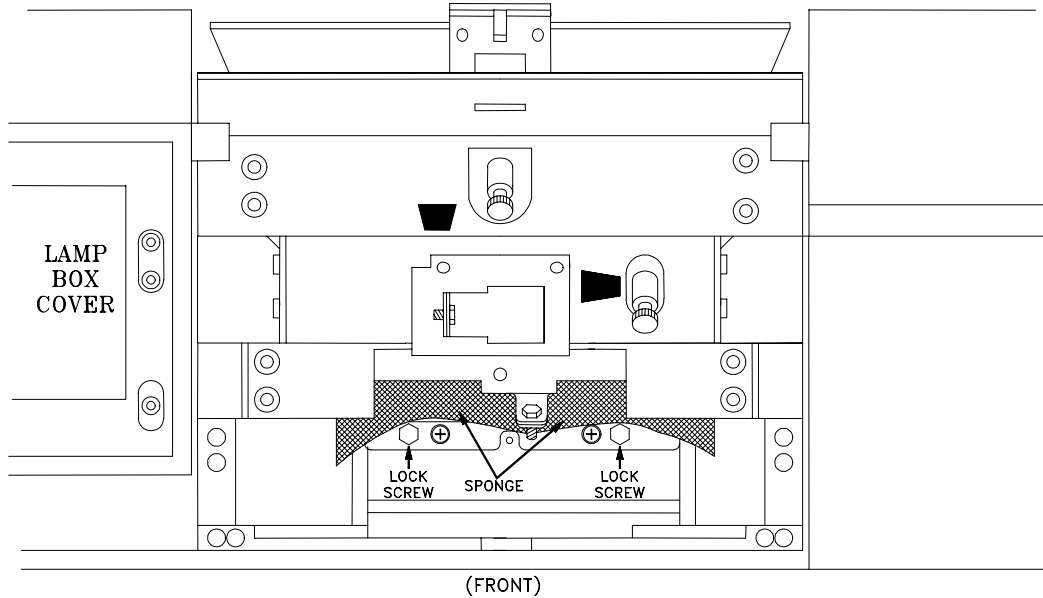
Mechanical Adjustments

Picture Rotation Adjustment

NOTE: The TV should be placed on a flat level surface. Improper installation can affect raster geometry.



1. Refer to the Disassembly Procedures on Pages 7, 8, and 9 to remove the Speaker Grille, Front Cover, Back Cover and Inner Cover.
2. From the front of the TV, lift the sponge to access and slightly loosen the brass Rotation Locking Screws on the Adjuster Assembly, *Figure 4A*. (Use a 10mm wrench.)
3. From the rear of the TV, access the black Rotation Adjustment screw (4mm allen wrench) and adjust so the test pattern center lines are parallel to the sides, top and bottom of the screen frame, *Figure 4B*. (Use a mirror to view the picture from the rear of the set.)
4. Tighten the two Locking Screws. Use Loctite to secure the Adjustment Screw. (If necessary, use the electrical adjustments to center the picture)



(FRONT)
Figure 4A: Rotation Adjustment Lock Screws

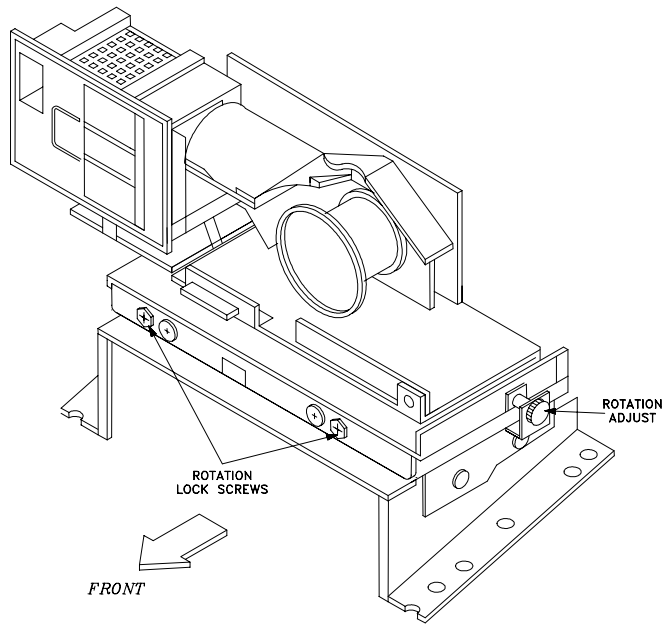
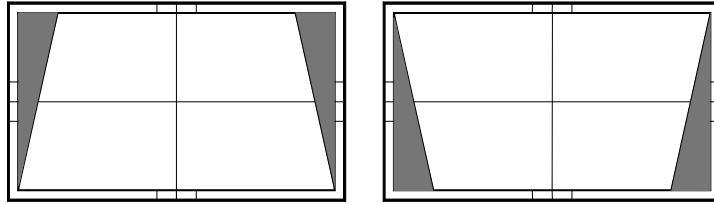


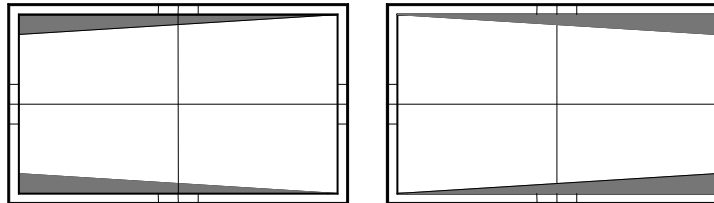
Figure 4B: Rotation Adjustment Location

Keystone Adjustment

NOTE: The TV should be placed on a flat level surface.
Improper installation can affect raster geometry.

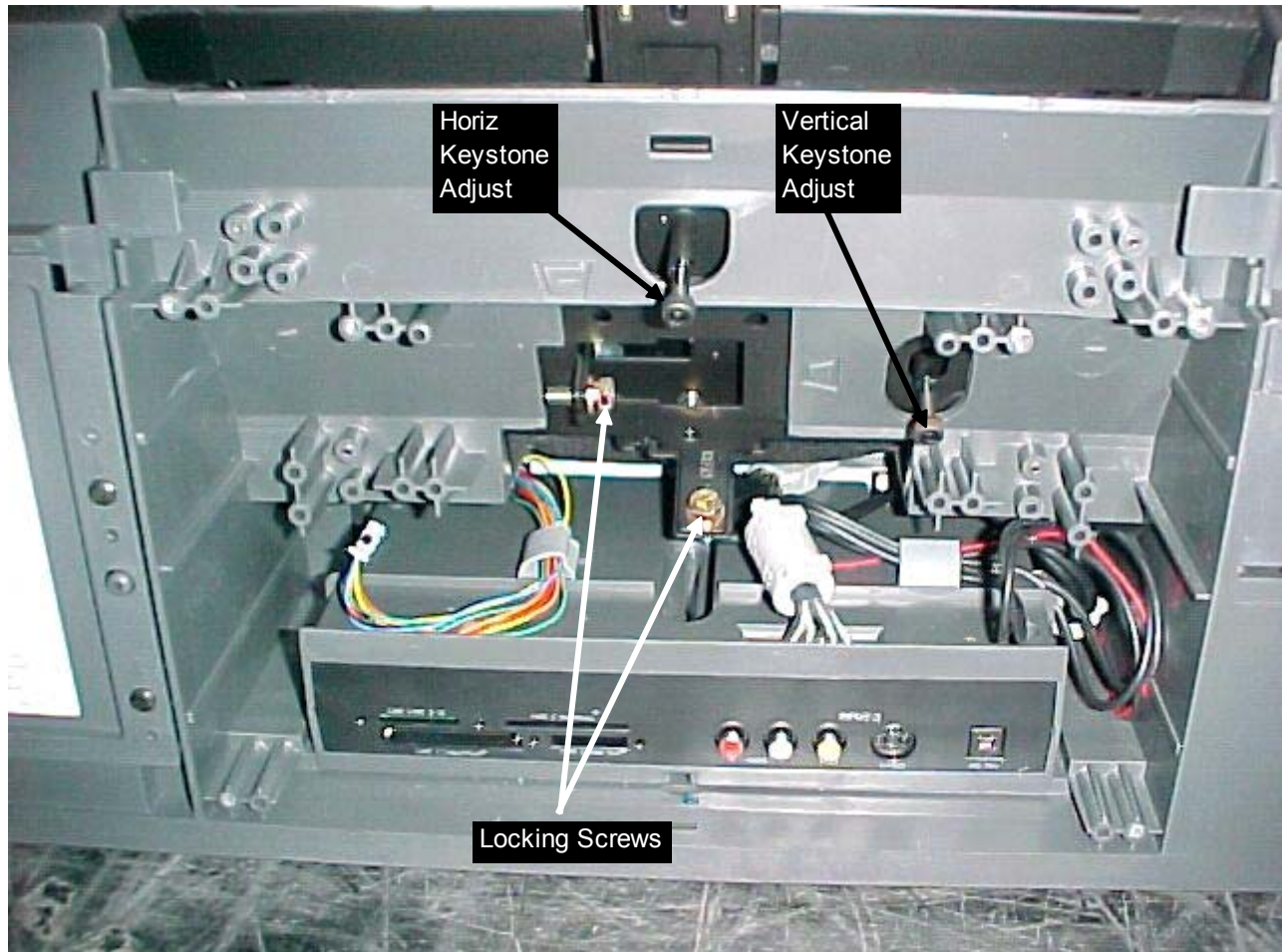


Horizontal Keystone Distortion



Vertical Keystone Distortion

1. From the front of the TV, loosen the two Keystone Locking Screws in the small mirror assembly. (10mm box wrench)
2. From the front of the TV, adjust the Horizontal Keystone Adjustment for minimum distortion. (4mm allen wrench)
3. From the front of the TV, adjust the Vertical Keystone Adjustment for minimum distortion.
Note: There may be some inter-action between the Keystone and Rotation Adjustments.
4. Tighten the Keystone Lock Screws. and secure the adjustment screws with Locktite.



Small Mirror Assembly (Front View)

REPLACEMENT PARTS

Critical Electrical Components are indicated by **Bold Type** in the Parts List.

QUICK REFERENCE FOR COMMON REPLACEMENT PARTS

Customer Replaceable Parts

Part Name	Description	WD-52525	WD-62525	WD-52725	WD-62725	WD-52825	WD-62825
Lamp Cartridge	LAMP - CARTRIDGE	915P020010	915P020010	915P020010	915P020010	915P020010	915P020010
Dust Filter	FILTER - DUST	620D144010	620D144010	620D144010	620D144010	620D144010	620D144010
Remote Control	REMOTE	290P123010	290P123010	290P123020	290P123020	290P123020	290P123020

Service Parts

Part Name	Description	WD-52525	WD-62525	WD-52725	WD-62725	WD-52825	WD-62825
Optical Engine	OPTICAL-ENGINE	939P977010	939P977020	939P977010	939P977020	939P977010	939P977020
Electrical Chassis (Complete)	ASSY-CHASSIS	955B298001	955B298001	955B298002	955B298002	955B298003	955B298003
Lamp Ballast PCB	UNIT-POWER-LAMP	939P978010	939P978010	939P978010	939P978010	939P978010	939P978010
Memory Card PCB	MEMORY-CARD-READER-PWB	299P271010	299P271010	299P271010	299P271010	299P271010	299P271010
Preamp PCB	ASSY-PWB-PREAMP	935D774001	935D774001	935D774001	935D774001	935D774001	935D774001
Front PCB	ASSY-PWB-FRONT	935D775001	935D775001	935D775001	935D775001	935D779001	935D779001
Control PCB	ASSY-PWB-CONTROL	935D776001	935D776001	935D776001	935D776001	935D776001	935D776001
Right Speaker PCB	ASSY-PWB-SPEAKER-R	935D806001	935D806001	935D806001	935D806001	935D806001	935D806001
Left Speaker PCB	ASSY-PWB-SPEAKER-L	935D807001	935D807001	935D807001	935D807001	935D807001	935D807001
Hard Disk Drive	ASSY-HDD-UNIT	-	-	-	-	939P989010	939P989010
Lamp Ballast Fan	FAN-BALLAST	299P278020	299P278020	299P278020	299P278020	299P278020	299P278020
Lamp Fan	FAN-LAMP	299P282010	299P282010	299P282010	299P282010	299P282010	299P282010
DMD Fan	FAN-DMD	299P283010	299P283010	299P283010	299P283010	299P283010	299P283010
Chassis Fan	FAN-COOLING	299P103050	299P103050	299P103050	299P103050	299P103050	299P103050
Exhaust Fan	FAN-COOLING	299P103050	299P103050	299P103050	299P103050	299P103050	299P103050
Lamp Cover Detect Switch	SW-MICRO	436P021010	436P021010	436P021010	436P021010	436P021010	436P021010
Filter Cover Detect Switch	SW-MICRO	436P021010	436P021010	436P021010	436P021010	436P021010	436P021010
DMD Thermal Sensor	SENSOR - THERMAL	299P280010	299P280010	299P280010	299P280010	299P280010	299P280010
Lamp Thermal Sensor	SENSOR-THERMAL (LAMP)	299P285010	299P285010	299P285010	299P285010	299P285010	299P285010

Bold Type = Safety Critical

Screen Parts

Part Name	Description	WD-52525	WD-62525	WD-52725	WD-62725	WD-52825	WD-62825
DiamondShield	DIAMOND - SHIELD	KIT-WD52525 DS	KIT-WD62525 DS	KIT-WD52725 DS	KIT-WD62725 DS	KIT-WD52825 DS	KIT-WD62825 DS
Lenticular Screen	LENS - LENTICULAR	491P178020	491P174020	491P178020	491P176020	491P178020	491P176020
Fresnel Lens	LENS - FRESNEL	491P177020	491P173020	491P177020	491P175020	491P177020	491P175020

Chassis PWBs

PWB Name	Description	WD-52525	WD-62525	WD-52725	WD-62725	WD-52825	WD-62825
Power	PWB-POWER	930B921002	930B921002	930B921002	930B921002	930B921001	930B921001
Signal	PWB-SIGNAL	930B923002	930B923002	930B923001	930B923001	930B923003	930B923003
Format	PWB-FMT	930B924002	930B924002	930B924003	930B924003	930B924001	930B924001
DM	PWB-DM	934C116002	934C116002	934C116003	934C116003	934C116001	934C116001
Terminal-1	PWB-TERMINAL 1	934C117001	934C117001	934C117001	934C117001	934C117002	934C117002
Terminal-2	PWB-TERMINAL-2	934C118001	934C118001	934C118001	934C118001	934C118001	934C118001

Note: The DiamondShield includes the Shield, Logo, Side and Bottom Clips.

[#] Model Legend: [a] WD-52525, [b] WD-52725, [c] WD-52825, [d] WD-62525, [e] WD-62725, [f] WD-62825

Ref #	Part #	Part Name & Description	[#]	Ref #	Part #	Part Name & Description	[#]
INTEGRATED CIRCUITS							
IC2000	276P090010	IC-C-MOS - Sil9993		IC8211	276P029020	IC-C-MOS - NT5DS16M16BT-5T	
IC2010	261P829010	TR-CHIP - NDC7002N		IC8212	276P029020	IC-C-MOS - NT5DS16M16BT-5T	
IC2020	275P981010	IC-C-MOS - 24LCS22AT/SN		IC8280	275P955010	IC-C-MOS - RTC-8564JE	
IC2030	271P069010	IC-C-MOS - CM1210-08MS		IC8301	275P677010	IC-C-MOS - SN74LVC573APWR	
IC2040	271P071010	IC - BA033SFP		IC8302	275P677010	IC-C-MOS - SN74LVC573APWR	
IC2C00	275P989010	IC-C-MOS - MAX3223ECAP		IC8303	275P677010	IC-C-MOS - SN74LVC573APWR	
IC2C01	276P020010	IC-C-MOS - SN74LVC2G14DBVR		IC8305	275P956010	IC-C-MOS - MD2811-D16-V3	
IC2C02	276P064010	IC-C-MOS - SN74LVC1G125DBV		IC8305	275P956020	IC-C-MOS - MD2811-D32-V3	
IC2C03	276P064010	IC-C-MOS - SN74LVC1G125DBV		IC8307	275P983010	IC-C-MOS - XR16L2750CM	
IC2K01	271P061010	IC - CXA2189Q		IC8308	276P077010	IC-C-MOS - ST013T	
IC2L00	271P078010	IC - MM1566AJBE		IC8309	275P660020	IC-C-MOS - CS4341-KSR	
IC2M01	275P947010	IC-C-MOS - UPD64083		IC8310	275P270010	IC-C-MOS - M66010GP	
IC2M02	272P379020	IC - LM1881MX (NSC)		IC8311	275P769010	IC-C-MOS - TC74AC157FT	
IC3E00	271P080010	IC - TDA8922J		IC8312	270P938010	IC - MC33202D	
IC3J01	271P060010	IC - CXA2188Q		IC8313	275P731020	IC-C-MOS - MSP3445G-QI-B8-V3	
IC7A00 276P017020 IC-C-MOS - M306V7MG				IC8314	275P677010	IC-C-MOS - SN74LVC573APWR	
IC7A01	275P533010	IC-C-MOS - M24C64WM6T		IC8315	275P464010	IC-C-MOS - TC7WH14FK	
IC7A02	270P706020	IC - MAX823REUK		IC8316	276P064010	IC-C-MOS - SN74LVC1G125DBV	
IC7A03	275P786010	IC-C-MOS - TC7SA08FU		IC8401	275P624010	IC-C-MOS - TSB42AA4	
IC7A05	271P023010	IC - SN74CBTD1G125DBVR		IC8402	275P686010	IC-C-MOS - TSB41AB3PFP	
IC7A06	271P023010	IC - SN74CBTD1G125DBVR		IC8501	275P679010	IC-C-MOS - TC74LCX74FT	
IC7D00	275P278010	IC-C-MOS - TC74LVX14FT		IC8502	275P124040	IC-C-MOS - SN74LVC245APWR	
IC7D01	270P818020	IC - CXA3506R		IC8503	275P677010	IC-C-MOS - SN74LVC573APWR	
IC7DA1	267P176010	HIC - AF-9412		IC8504	271P036020	IC - TPS2221PWPR	
IC7DB0	270P677010	IC - BA033FP		IC8505	275P677010	IC-C-MOS - SN74LVC573APWR	
IC7DC0	270P992010	IC - BA18BC0FP		IC8506	276P065020	IC-C-MOS - CIMAX(103563)	
IC7E01	275P894010	IC-C-MOS - AD9883AKST-110		IC8507	275P680010	IC-C-MOS - TC74VCX257FT	
IC7E02	275P663030	IC-C-MOS - M4A3-32/32-5VC-48		IC8508	275P675010	IC-C-MOS - SN74LV125APWR	
IC7H00 276P106010 IC-C-MOS - MB87M1823PFV-ES-BND				IC8509	271P036020	IC - TPS2221PWPR	
IC7K21	270P831010	IC-C-MOS - OPA2350PA		IC8600	275P983010	IC-C-MOS - XR16L2750CM	
IC7M00	276P091010	IC-C-MOS - M12L64322A-6T		IC8601	275P122020	IC-C-MOS - SN74LV32APWR	
IC7N01	275P682010	IC-C-MOS - TC74VCX16244FT		IC8602	275P676010	IC-C-MOS - SN74LVC139APWR	
IC7N02	275P682010	IC-C-MOS - TC74VCX16244FT		IC8705	275P769010	IC-C-MOS - TC74AC157FT	
IC7P01	275P943030	IC-C-MOS - PIC18F252T-I/SO030		IC8706	275P731020	IC-C-MOS - MSP3445G-QI-B8-V3	
IC7P03	263P154010	IC-C-MOS - SN74HC132DB		IC8707	276P089010	IC-C-MOS - TC7W66FU	
IC7P04	271P023010	IC - SN74CBTD1G125DBVR		IC8708	270P037020	IC - MIC29301-5.0BU	
IC8001 276P030020 IC-C-MOS - 215H31AGA12			be	IC8709	271P082010	IC - LD1117DT12	
IC8001 276P030030 IC-C-MOS - 215H31AGA12H				IC8710	271P072010	IC - LD29150DT25	
IC8002	270P706020	IC - MAX823REUK		IC8711	295P527010	TUNER-NTSC DEMODULATOR	
IC8003	276P064010	IC-C-MOS - SN74LVC1G125DBV		IC8712	276P109010	IC-C-MOS - CS4334-KS	
IC8003	276P064010	IC-C-MOS - SN74LVC1G125DBV		IC8713	270P938010	IC - MC33202D	
IC80E1	275P657050	IC-C-MOS - 24LC256T-I/SN		IC8719	271P023010	IC - SN74CBTD1G125DBVR	
IC80E2	276P174010	IC-C-MOS - AT24C512N-10S1-2.7		IC8720	271P023010	IC - SN74CBTD1G125DBVR	
IC80E3	270P880010	IC - 24LC64I/SN		IC8722	271P064010	IC - TA75S01F	
IC8101	271P033010	IC - LP2996MRX		IC8723	275P278010	IC-C-MOS - TC74LVX14FT	
IC8102	276P029020	IC-C-MOS - NT5DS16M16BT-5T		IC8800	270P877010	IC - UPC3217GV	
IC8103	276P029020	IC-C-MOS - NT5DS16M16BT-5T		IC8801	270P877010	IC - UPC3217GV	
IC8104	276P029020	IC-C-MOS - NT5DS16M16BT-5T		IC8802	275P464010	IC-C-MOS - TC7WH14FK	
IC8105	276P029020	IC-C-MOS - NT5DS16M16BT-5T		IC8805	270P988010	IC-OP AMP - LM358M	
IC81A1	270P991010	IC - IRU3037CS		IC8806	271P039010	IC-C-MOS - NXT2003 100C	
IC81A2	261P135010	FET-HEX - IRF7313		IC8A00	275P980010	IC-C-MOS - SAA7115HL	cf
IC81A3	270P879030	IC - SC156615M-2.5TR		IC8A01	275P982020	IC-C-MOS - MT48LC2M32B2P-7	cf
IC81A4	270P992010	IC - BA18BC0FP		IC8A02	276P111010	IC-C-MOS - AK5353VT	cf
IC81A5	270P879030	IC - SC156615M-2.5TR		IC8A03	276P112010	IC-C-MOS - BCM7040 KQL	cf
IC81A6	270P037020	IC - MIC29301-5.0BU		IC8B01	275P278010	IC-C-MOS - TC74LVX14FT	
IC81A7	270P999010	IC - NJM2370R09		IC8B02	270P818020	IC - CXA3506R	
IC81A8	271P081010	IC - BA00CC0WFP		IC8B03	270P915020	IC - RT9161A-33CG	
IC8205	276P042010	IC-C-MOS - MIC2544-1BM		IC8B04	270P537010	IC - M52347FP	cf
				IC8B04	270P537010	IC - M52347FP	abde
				IC8B05	275P981010	IC-C-MOS - 24LCS22AT/SN	

[#] Model Legend: [a] WD-52525, [b] WD-52725, [c] WD-52825, [d] WD-62525, [e] WD-62725, [f] WD-62825

Ref #	Part #	Part Name & Description	[#]
IC8C01	275P994010	IC-C-MOS - S1L52502B24S000	
IC8C03	275P689010	IC-C-MOS - ICS551MT	
IC8C04	275P680010	IC-C-MOS - TC74VCX257FT	
IC8D01	275P997010	IC-C-MOS - IP00C720	
IC8D02	275P982020	IC-C-MOS - MT48LC2M32B2P-7	
IC8D03	276P113040	IC-C-MOS - XC9572XL-8D03	
IC8E00	276P107010	IC-C-MOS - SII164	
IC8E01	276P113030	IC-C-MOS - XC9572XL-10TQ100C-8E0102	
IC8E02	276P113030	IC-C-MOS - XC9572XL-10TQ100C-8E0102	
IC8F01	276P156010	IC-C-MOS - M30826MH-092GP	
IC8F02	275P657050	IC-C-MOS - 24LC256T-I/SN	
IC8F03	274P503020	IC-C-MOS - 74ACT245MTC	
IC8F04	271P010010	IC - RT9172-18CG	cf
IC8F05	271P009010	IC - RT9172-25CG	
IC8F06	270P677020	IC - BA05FP	
IC8F07	261P135010	FET-HEX - IRF7313	
IC8F08	270P991010	IC - IRU3037CS	
IC8F09	270P915020	IC - RT9161A-33CG	
IC8F10	275P786010	IC-C-MOS - TC7SA08FU	
IC8F11	275P124040	IC-C-MOS - SN74LVC245APWR	
IC8F12	275P124040	IC-C-MOS - SN74LVC245APWR	
IC8F13	275P124040	IC-C-MOS - SN74LVC245APWR	
IC8F14	275P124040	IC-C-MOS - SN74LVC245APWR	
IC8F15	275P124040	IC-C-MOS - SN74LVC245APWR	
IC8F16	260P846030	TR-CHIP - DTC143ZKAT146	
IC8F17	270P696010	IC - BA05SFP	bcef
IC8G00	276P108020	IC-C-MOS - M306H2MC-517FP	be
IC8G00	276P108030	IC-C-MOS - M306H2FCFP-V261	cf
IC8G01	270P706010	IC - MAX823	bcef
IC8G02	271P023010	IC - SN74CBTD1G125DBVR	bcef
IC8G03	276P020010	IC-C-MOS - SN74LVC2G14DBVR	bcef
IC8G04	271P023010	IC - SN74CBTD1G125DBVR	bcef
IC8G05	275P443010	IC-C-MOS - TC7SET08H	bcef
IC8G06	271P023010	IC - SN74CBTD1G125DBVR	bcef
IC8H01	270P658030	IC - CXA2019AQ/T4	
IC8H02	271P079010	IC - CXA2181Q	
IC8H10	271P071020	IC - BA09SFP	
IC8H20	270P696010	IC - BA05SFP	bcef
IC8T01	270P658030	IC - CXA2019AQ/T4	
IC8T02	271P079010	IC - CXA2181Q	
IC8T10	271P023010	IC - SN74CBTD1G125DBVR	
IC8T11	271P023010	IC - SN74CBTD1G125DBVR	
IC9A10	267P175010	HIC - STR-W6735	
IC9A11	270P696010	IC - BA05SFP	
IC9A12	271P081010	IC - BA00CC0WFP	
IC9A20	270P816010	IC - NJM431L	
IC9A21	270P991010	IC - IRU3037CS	
IC9C01	271P071020	IC - BA09SFP	
IC9C21	271P072020	IC - LD29150DT33	
IC9C41	271P072030	IC - LD29150DT50	
IC9M01	270P677010	IC - BA033FP	
IC9M02	270P992020	IC - BA25BC0FP	
IC9M03	271P071020	IC - BA09SFP	
IC9M04	270P696010	IC - BA05SFP	

Ref #	Part #	Part Name & Description	[#]
TRANSISTORS			
CHIP Type Transistors (Listed by Part No.)			
Part No.	Description		
260P806010	DTA124EK/UN2112		
260P809010	DTC114YK		
260P817030	2SA1037K-S		
260P817050	2SA1037K-R,S/2SB709AI-R,S		
260P817080	2SA1037K-R,S		
260P818030	2SC2412K-S		
260P818050	2SC2412K-R,S/2SD601AI-R,S		
260P818080	2SC2412K-R,S		
260P836090	2SC3326-A,B		
260P846030	DTC143ZKAT146		
261P005010	2SC3123		
TRANSISTORS			
Conventional Transistors (By Ref #)			
Ref #	Part #	Part Name & Description	[#]
Q7E03	261P114010	TR - 2SA1585STPR	
Q8800	261P026010	TR - 2SC3356	
Q9A20	261P135010	FET-HEX - IRF7313	
Q9A70	261P101010	TR - PHP21N06T	
Q9F01	260C004010	TR - 2SC1740S-R,S/2SC3311A-R,S	
Q9F02	260P741010	TR - 2SA1020-0,Y	
Q9F03	260C604010	TR - DTC124ES/UN4212	
Q9F04	260C604010	TR - DTC124ES/UN4212	
Q9F05	260C604010	TR - DTC124ES/UN4212	
Q9F06	260C604010	TR - DTC124ES/UN4212	
DIODES			
D2760	264P828010	D-CHIP - DAN202U/MA142WK	
D2761	264P828010	D-CHIP - DAN202U/MA142WK	
D2770	262P805050	D-CHIP - UDZS5.1B	
D2771	264P828010	D-CHIP - DAN202U/MA142WK	
D2J00	264P458050	DIODE - RD3.9EB1	
D2J01	264P458050	DIODE - RD3.9EB1	
D2J91	262P075010	DIODE - RSB6.8S	abde
D2J92	262P075010	DIODE - RSB6.8S	cf
D2L80	262P075010	DIODE - RSB6.8S	
D2L81	262P075010	DIODE - RSB6.8S	
D7A00	264P828010	D-CHIP - DAN202U/MA142WK	
D7A01	264P828010	D-CHIP - DAN202U/MA142WK	
D7E00	262P075010	DIODE - RSB6.8S	
D7E01	262P075010	DIODE - RSB6.8S	
D7K21	268P100010	DIODE-PHOTO - SFH235FA	
D7K22	264P045080	DIODE - 1S2076A/1S24710M	
D7L20	262P075010	DIODE - RSB6.8S	
D7L21	264P212020	D-LED - LN31GPH	
D7L22	264P584020	DIODE-LE - SML1216W-C,D	
D7L23	264P584020	DIODE-LE - SML1216W-C,D	
D7L24	262P075010	DIODE - RSB6.8S	
D7L25	262P075010	DIODE - RSB6.8S	
D7L26	262P075010	DIODE - RSB6.8S	

MODEL: WD-52525 / WD-52725 / WD-52825 / WD-62525 / WD-62725 / WD-62825

[#] Model Legend: [a] WD-52525, [b] WD-52725, [c] WD-52825, [d] WD-62525, [e] WD-62725, [f] WD-62825

Ref #	Part #	Part Name & Description	[#]	Ref #	Part #	Part Name & Description	[#]
D7L27	262P075010	DIODE - RSB6.8S		D9A61 264P669030	DIODE - S3L20U		
D81A2	264P828010	D-CHIP - DAN202U/MA142WK		D9A80	264P828010	D-CHIP - DAN202U/MA142WK	
D81A3	264P828010	D-CHIP - DAN202U/MA142WK		D9A81	264P828010	D-CHIP - DAN202U/MA142WK	
D81A4	262P090010	DIODE - M1FP3		D9A82	264P828010	D-CHIP - DAN202U/MA142WK	
D81A5	264P458050	DIODE - RD3.9EB1		D9C40	262P090010	DIODE - M1FP3	
D8201	264P846010	DIODE-CHIP - MA732		D9F01	264P212020	D-LED - LN31GPH	
D8202	264P846010	DIODE-CHIP - MA732				COILS	
D8203	264P846010	DIODE-CHIP - MA732		L1H01	321C114010	COIL-RF - 2200MH-J	
D8204	264P846010	DIODE-CHIP - MA732		L1H02	325C461030	COIL-PEAKING - 10MH-K	
D8280	264P808010	DIODE-CHIP - DAN202K		L1H51	321C114010	COIL-RF - 2200MH-J	
D8701	262P132010	DIODE - MA2Z077		L1H52	325C461030	COIL-PEAKING - 10MH-K	
D8702	262P132010	DIODE - MA2Z077		L2011	409P777080	EMI-F-CHIP - BLM21P221S	
D8703	262P132010	DIODE - MA2Z077		L2012	409P777080	EMI-F-CHIP - BLM21P221S	
D8704	262P132010	DIODE - MA2Z077		L2061	409P777080	EMI-F-CHIP - BLM21P221S	
D8800	262P089010	DIODE - MA2S728		L2071	409P777080	EMI-F-CHIP - BLM21P221S	
D8801	262P071070	DIODE-LE - SML-210FT		L2111	409P777080	EMI-F-CHIP - BLM21P221S	
D8802	262P071070	DIODE-LE - SML-210FT		L2121	409P777080	EMI-F-CHIP - BLM21P221S	
D8803	262P071070	DIODE-LE - SML-210FT		L2141	409P777080	EMI-F-CHIP - BLM21P221S	
D8B00	264P882010	D-CHIP - HSB123		L2151	409P777080	EMI-F-CHIP - BLM21P221S	
D8B01	264P882010	D-CHIP - HSB123		L2231	409P777080	EMI-F-CHIP - BLM21P221S	
D8B02	264P882010	D-CHIP - HSB123		L2272	409P955020	EMI-F-CHIP - BLM18BB220SN1	
D8B03	264P878020	D-CHIP - HZM6.2ZWA		L2301	409P955020	EMI-F-CHIP - BLM18BB220SN1	
D8B04	264P828010	D-CHIP - DAN202U/MA142WK	bcef	L2311	409P955020	EMI-F-CHIP - BLM18BB220SN1	
D8B04	264P828010	D-CHIP - DAN202U/MA142WK		L2321	409P955020	EMI-F-CHIP - BLM18BB220SN1	
D8B09	264P878020	D-CHIP - HZM6.2ZWA		L2331	409P955020	EMI-F-CHIP - BLM18BB220SN1	
D8F00	264P828010	D-CHIP - DAN202U/MA142WK	bcef	L2341	409P955020	EMI-F-CHIP - BLM18BB220SN1	
D8F00	264P828010	D-CHIP - DAN202U/MA142WK		L2761	409P777080	EMI-F-CHIP - BLM21P221S	
D8F01	264P828010	D-CHIP - DAN202U/MA142WK	bcef	L2801	409P777080	EMI-F-CHIP - BLM21P221S	
D8F01	264P828010	D-CHIP - DAN202U/MA142WK		L2821	409P777080	EMI-F-CHIP - BLM21P221S	
D8F03	262P090010	DIODE - M1FP3		L2C03	325C146090	COIL-CHIP - 33MH-J	
D8F04	264P458050	DIODE - RD3.9EB1		L2K01	325C461030	COIL-PEAKING - 10MH-K	
D8F05	264P828010	D-CHIP - DAN202U/MA142WK		L2K09	325C461030	COIL-PEAKING - 10MH-K	
D9A00	262P031010	DIODE - D6SB80		L2K25	321C141090	COIL-RF - 33MH-K	
D9A01 262P031010	DIODE - D6SB80			L2K58	325C461030	COIL-PEAKING - 10MH-K	
D9A02	264P045080	DIODE - 1S2076A/1S2471OM		L2K67	325C461030	COIL-PEAKING - 10MH-K	
D9A03	264P461050	DIODE - EQA02-06B/RD5.6EB3		L2K71	325C461030	COIL-PEAKING - 10MH-K	
D9A04	264P045080	DIODE - 1S2076A/1S2471OM		L2K80	409P777080	EMI-F-CHIP - BLM21P221S	
D9A05	264P899010	DIODE - BYV26E		L2K81	409P777080	EMI-F-CHIP - BLM21P221S	
D9A18	264P045080	DIODE - 1S2076A/1S2471OM		L2K90	325C461030	COIL-PEAKING - 10MH-K	
D9A19	264P045080	DIODE - 1S2076A/1S2471OM		L2K91	325C461030	COIL-PEAKING - 10MH-K	
D9A20	264P045080	DIODE - 1S2076A/1S2471OM		L2K99	409P777080	EMI-F-CHIP - BLM21P221S	
D9A23	264P045080	DIODE - 1S2076A/1S2471OM		L2L12	409P777080	EMI-F-CHIP - BLM21P221S	
D9A24	264P045080	DIODE - 1S2076A/1S2471OM		L2L13	409P777080	EMI-F-CHIP - BLM21P221S	
D9A25	264P045080	DIODE - 1S2076A/1S2471OM		L2L80	409P923060	EMI-F-CHIP - BLM21B272S	
D9A26 262P066010	DIODE - RU4A			L2L81	409P923060	EMI-F-CHIP - BLM21B272S	
D9A27 262P066010	DIODE - RU4A			L2L82	409P923060	EMI-F-CHIP - BLM21B272S	
D9A28	264P045080	DIODE - 1S2076A/1S2471OM		L2L83	409P923060	EMI-F-CHIP - BLM21B272S	
D9A29	264P045080	DIODE - 1S2076A/1S2471OM		L2L84	409P923060	EMI-F-CHIP - BLM21B272S	
D9A30	264P470070	DIODE - EQA02-32B/RD33EB3		L2L85	409P923060	EMI-F-CHIP - BLM21B272S	
D9A31	264P828010	D-CHIP - DAN202U/MA142WK		L2M21	325C461030	COIL-PEAKING - 10MH-K	
D9A32	264P828010	D-CHIP - DAN202U/MA142WK		L2M30	409P777080	EMI-F-CHIP - BLM21P221S	
D9A33	264P458050	DIODE - RD3.9EB1		L2M31	409P777080	EMI-F-CHIP - BLM21P221S	
D9A34	262P090010	DIODE - M1FP3		L2M35	325C461050	COIL-PEAKING - 15MH-K	
D9A41	264P828010	D-CHIP - DAN202U/MA142WK		L2M36	325C461030	COIL-PEAKING - 10MH-K	
D9A42	264P828010	D-CHIP - DAN202U/MA142WK		L2M38	409P777080	EMI-F-CHIP - BLM21P221S	
D9A43	264P828010	D-CHIP - DAN202U/MA142WK		L2M40	325C461030	COIL-PEAKING - 10MH-K	
D9A44	264P828010	D-CHIP - DAN202U/MA142WK		L2M41	325C461080	COIL-PEAKING - 27MH-K	
D9A45	264P828010	D-CHIP - DAN202U/MA142WK					
D9A60 264P669030	DIODE - S3L20U						

MODEL: WD-52525 / WD-52725 / WD-52825 / WD-62525 / WD-62725 / WD-62825

[#] Model Legend: [a] WD-52525, [b] WD-52725, [c] WD-52825, [d] WD-62525, [e] WD-62725, [f] WD-62825

Ref #	Part #	Part Name & Description	[#]	Ref #	Part #	Part Name & Description	[#]
L2M42	325C461030	COIL-PEAKING - 10MH-K		L7A67	409P865060	EMI-F-CHIP - BLM11B141S	bcef
L2M45	409P777080	EMI-F-CHIP - BLM21P221S		L7A67	409P865060	EMI-F-CHIP - BLM11B141S	
L2M46	409P777080	EMI-F-CHIP - BLM21P221S		L7A88	409P777050	EMI-F-CHIP - BLM21B201S	bcef
L2M50	325C461000	COIL-PEAKING - 5.6MH-K		L7A90	409P865060	EMI-F-CHIP - BLM11B141S	bcef
L2M53	325C461030	COIL-PEAKING - 10MH-K		L7A90	409P865060	EMI-F-CHIP - BLM11B141S	
L2M70	325C461030	COIL-PEAKING - 10MH-K		L7A91	409P865060	EMI-F-CHIP - BLM11B141S	bcef
L2M71	325C461080	COIL-PEAKING - 27MH-K		L7A91	409P865060	EMI-F-CHIP - BLM11B141S	
L2M77	325C461030	COIL-PEAKING - 10MH-K		L7A92	409P865060	EMI-F-CHIP - BLM11B141S	bcef
L2M81	409P777080	EMI-F-CHIP - BLM21P221S		L7A92	409P865060	EMI-F-CHIP - BLM11B141S	
L3E25	325C502010	COIL-CHIP - SLF12575T-330M3R2-H		L7A99	409P777050	EMI-F-CHIP - BLM21B201S	bcef
L3E26	325C502010	COIL-CHIP - SLF12575T-330M3R2-H		L7D16	325C420070	COIL-CHIP - 10MH-K	
L3E51	411D009020	CORE-FERRITE - ZBF503D-01		L7DA7	325C420070	COIL-CHIP - 10MH-K	
L3E52	411D009020	CORE-FERRITE - ZBF503D-01		L7DF4	409P777080	EMI-F-CHIP - BLM21P221S	
L3J00	409P777080	EMI-F-CHIP - BLM21P221S		L7DF8	325C420070	COIL-CHIP - 10MH-K	
L7A16	409P777050	EMI-F-CHIP - BLM21B201S	bcef	L7E00	409P876040	EMI-F-CHIP - CNF20C221S/CKD510JB1H221S	
L7A19	409P865060	EMI-F-CHIP - BLM11B141S	bcef	L7E01	409P777080	EMI-F-CHIP - BLM21P221S	
L7A19	409P865060	EMI-F-CHIP - BLM11B141S		L7E01	409P876040	EMI-F-CHIP - CNF20C221S/CKD510JB1H221S	
L7A39	409P865060	EMI-F-CHIP - BLM11B141S	bcef	L7E34	409P777080	EMI-F-CHIP - BLM21P221S	
L7A39	409P865060	EMI-F-CHIP - BLM11B141S		L7E42	409P777080	EMI-F-CHIP - BLM21P221S	
L7A42	409P865060	EMI-F-CHIP - BLM11B141S	bcef	L7E69	409P777080	EMI-F-CHIP - BLM21P221S	
L7A42	409P865060	EMI-F-CHIP - BLM11B141S		L7H01	409P777080	EMI-F-CHIP - BLM21P221S	
L7A43	409P865060	EMI-F-CHIP - BLM11B141S	bcef	L7H04	409P777080	EMI-F-CHIP - BLM21P221S	
L7A43	409P865060	EMI-F-CHIP - BLM11B141S		L7H29	409P777080	EMI-F-CHIP - BLM21P221S	
L7A47	409P865060	EMI-F-CHIP - BLM11B141S	bcef	L7H49	409P777080	EMI-F-CHIP - BLM21P221S	
L7A47	409P865060	EMI-F-CHIP - BLM11B141S		L7H66	409P777080	EMI-F-CHIP - BLM21P221S	
L7A49	409P865060	EMI-F-CHIP - BLM11B141S	bcef	L7H73	409P777080	EMI-F-CHIP - BLM21P221S	
L7A49	409P865060	EMI-F-CHIP - BLM11B141S		L7H76	409P777080	EMI-F-CHIP - BLM21P221S	
L7A50	409P865060	EMI-F-CHIP - BLM11B141S	bcef	L7J13	409P777080	EMI-F-CHIP - BLM21P221S	
L7A50	409P865060	EMI-F-CHIP - BLM11B141S		L7J38	409P777080	EMI-F-CHIP - BLM21P221S	
L7A51	409P865060	EMI-F-CHIP - BLM11B141S	bcef	L7J44	409P777080	EMI-F-CHIP - BLM21P221S	
L7A51	409P865060	EMI-F-CHIP - BLM11B141S		L7K01	409P777080	EMI-F-CHIP - BLM21P221S	
L7A52	409P865060	EMI-F-CHIP - BLM11B141S	bcef	L7M90	409P777080	EMI-F-CHIP - BLM21P221S	
L7A52	409P865060	EMI-F-CHIP - BLM11B141S		L7N01	409P777080	EMI-F-CHIP - BLM21P221S	
L7A53	409P865060	EMI-F-CHIP - BLM11B141S	bcef	L7N41	409P955020	EMI-F-CHIP - BLM18BB220SN1	
L7A53	409P865060	EMI-F-CHIP - BLM11B141S		L7N42	409P955020	EMI-F-CHIP - BLM18BB220SN1	
L7A54	409P865060	EMI-F-CHIP - BLM11B141S	bcef	L7N43	409P955020	EMI-F-CHIP - BLM18BB220SN1	
L7A54	409P865060	EMI-F-CHIP - BLM11B141S		L7N44	409P955020	EMI-F-CHIP - BLM18BB220SN1	
L7A55	409P865060	EMI-F-CHIP - BLM11B141S	bcef	L7N45	409P955020	EMI-F-CHIP - BLM18BB220SN1	
L7A55	409P865060	EMI-F-CHIP - BLM11B141S		L7N46	409P955020	EMI-F-CHIP - BLM18BB220SN1	
L7A56	409P865060	EMI-F-CHIP - BLM11B141S	bcef	L7N47	409P955020	EMI-F-CHIP - BLM18BB220SN1	
L7A56	409P865060	EMI-F-CHIP - BLM11B141S		L7N48	409P955020	EMI-F-CHIP - BLM18BB220SN1	
L7A57	409P865060	EMI-F-CHIP - BLM11B141S	bcef	L7N49	409P955020	EMI-F-CHIP - BLM18BB220SN1	
L7A57	409P865060	EMI-F-CHIP - BLM11B141S		L7N50	409P955020	EMI-F-CHIP - BLM18BB220SN1	
L7A58	409P865060	EMI-F-CHIP - BLM11B141S	bcef	L7N51	409P955020	EMI-F-CHIP - BLM18BB220SN1	
L7A58	409P865060	EMI-F-CHIP - BLM11B141S		L7N52	409P955020	EMI-F-CHIP - BLM18BB220SN1	
L7A59	409P865060	EMI-F-CHIP - BLM11B141S	bcef	L7N53	409P955020	EMI-F-CHIP - BLM18BB220SN1	
L7A59	409P865060	EMI-F-CHIP - BLM11B141S		L7N54	409P955020	EMI-F-CHIP - BLM18BB220SN1	
L7A60	409P865060	EMI-F-CHIP - BLM11B141S	cf	L7N55	409P955020	EMI-F-CHIP - BLM18BB220SN1	
L7A61	409P865060	EMI-F-CHIP - BLM11B141S	bcef	L7N56	409P955020	EMI-F-CHIP - BLM18BB220SN1	
L7A61	409P865060	EMI-F-CHIP - BLM11B141S		L7N57	409P955020	EMI-F-CHIP - BLM18BB220SN1	
L7A62	409P865060	EMI-F-CHIP - BLM11B141S	bcef	L7N58	409P955020	EMI-F-CHIP - BLM18BB220SN1	
L7A62	409P865060	EMI-F-CHIP - BLM11B141S		L7N59	409P955020	EMI-F-CHIP - BLM18BB220SN1	
L7A63	409P865060	EMI-F-CHIP - BLM11B141S	bcef	L7N60	409P955020	EMI-F-CHIP - BLM18BB220SN1	
L7A63	409P865060	EMI-F-CHIP - BLM11B141S		L7N61	409P955020	EMI-F-CHIP - BLM18BB220SN1	
L7A64	409P865060	EMI-F-CHIP - BLM11B141S	bcef	L7N62	409P955020	EMI-F-CHIP - BLM18BB220SN1	
L7A64	409P865060	EMI-F-CHIP - BLM11B141S		L7N63	409P955020	EMI-F-CHIP - BLM18BB220SN1	
L7A65	409P865060	EMI-F-CHIP - BLM11B141S	bcef	L7N64	409P955020	EMI-F-CHIP - BLM18BB220SN1	
L7A65	409P865060	EMI-F-CHIP - BLM11B141S		L7N65	409P955020	EMI-F-CHIP - BLM18BB220SN1	
L7A66	409P865060	EMI-F-CHIP - BLM11B141S	bcef	L7N66	409P936090	EMI-F-CHIP - BK1608 HS102	
L7A66	409P865060	EMI-F-CHIP - BLM11B141S		L7N67	409P955020	EMI-F-CHIP - BLM18BB220SN1	

MODEL: WD-52525 / WD-52725 / WD-52825 / WD-62525 / WD-62725 / WD-62825

[#] Model Legend: [a] WD-52525, [b] WD-52725, [c] WD-52825, [d] WD-62525, [e] WD-62725, [f] WD-62825

Ref #	Part #	Part Name & Description	[#]	Ref #	Part #	Part Name & Description	[#]
L7N68	409P955020	EMI-F-CHIP - BLM18BB220SN1		L8323	409P865080	EMI-F-CHIP - BLM18PG6	
L7N70	409P955020	EMI-F-CHIP - BLM18BB220SN1		L8323	409P865080	EMI-F-CHIP - BLM18PG6	be
L7N71	409P955020	EMI-F-CHIP - BLM18BB220SN1		L8324	409P865080	EMI-F-CHIP - BLM18PG6	
L7P00	409P923060	EMI-F-CHIP - BLM21B272S		L8324	409P865080	EMI-F-CHIP - BLM18PG6	be
L7P14	409P777050	EMI-F-CHIP - BLM21B201S		L8326	409P865080	EMI-F-CHIP - BLM18PG6	
L7P20	409P777050	EMI-F-CHIP - BLM21B201S		L8326	409P865080	EMI-F-CHIP - BLM18PG6	be
L8001	409P865080	EMI-F-CHIP - BLM18PG6		L8329	409P865080	EMI-F-CHIP - BLM18PG6	
L8002	409P865080	EMI-F-CHIP - BLM18PG6		L8329	409P865080	EMI-F-CHIP - BLM18PG6	be
L8003	409P865080	EMI-F-CHIP - BLM18PG6		L8331	409P865080	EMI-F-CHIP - BLM18PG6	
L8004	409P865080	EMI-F-CHIP - BLM18PG6		L8331	409P865080	EMI-F-CHIP - BLM18PG6	be
L8005	409P865080	EMI-F-CHIP - BLM18PG6		L8332	409P865080	EMI-F-CHIP - BLM18PG6	
L8006	409P865080	EMI-F-CHIP - BLM18PG6		L8332	409P865080	EMI-F-CHIP - BLM18PG6	be
L8007	409P865080	EMI-F-CHIP - BLM18PG6		L8333	409P865080	EMI-F-CHIP - BLM18PG6	
L8008	409P865080	EMI-F-CHIP - BLM18PG6		L8401	409P865080	EMI-F-CHIP - BLM18PG6	
L8009	409P777080	EMI-F-CHIP - BLM21P221S		L8403	409P777080	EMI-F-CHIP - BLM21P221S	
L8012	409P865080	EMI-F-CHIP - BLM18PG6		L8404	409P777080	EMI-F-CHIP - BLM21P221S	
L8013	409P865080	EMI-F-CHIP - BLM18PG6		L8411	351P265020	COIL-CHIP - ACM2012-201-2P	
L8017	409P865020	EMI-F-CHIP - BLM11A601S		L8412	351P265020	COIL-CHIP - ACM2012-201-2P	
L8018	409P865020	EMI-F-CHIP - BLM11A601S		L8413	351P265020	COIL-CHIP - ACM2012-201-2P	
L81A1	321C140060	COIL-RF - 2.7MH-M		L8414	351P265020	COIL-CHIP - ACM2012-201-2P	
L81A2	351P250010	COIL-CHOKE - GSTC6018-100M		L8415	351P265020	COIL-CHIP - ACM2012-201-2P	
L81A3	409P777080	EMI-F-CHIP - BLM21P221S		L8416	351P265020	COIL-CHIP - ACM2012-201-2P	
L81A4	321C140060	COIL-RF - 2.7MH-M		L8501	409P865080	EMI-F-CHIP - BLM18PG6	
L81A5	321C140060	COIL-RF - 2.7MH-M		L8502	409P777080	EMI-F-CHIP - BLM21P221S	
L81A6	409P777080	EMI-F-CHIP - BLM21P221S		L8503	409P865080	EMI-F-CHIP - BLM18PG6	
L81A7	409P865080	EMI-F-CHIP - BLM18PG6		L8504	409P777080	EMI-F-CHIP - BLM21P221S	
L81A8	409P777080	EMI-F-CHIP - BLM21P221S		L8505	409P865080	EMI-F-CHIP - BLM18PG6	
L81A9	409P777080	EMI-F-CHIP - BLM21P221S		L8506	409P777080	EMI-F-CHIP - BLM21P221S	
L8202	409P777080	EMI-F-CHIP - BLM21P221S		L8507	409P865080	EMI-F-CHIP - BLM18PG6	
L8203	409P777080	EMI-F-CHIP - BLM21P221S		L8508	409P865080	EMI-F-CHIP - BLM18PG6	
L8204	409P777080	EMI-F-CHIP - BLM21P221S		L8509	409P865080	EMI-F-CHIP - BLM18PG6	
L8205	409P777080	EMI-F-CHIP - BLM21P221S		L8510	409P865080	EMI-F-CHIP - BLM18PG6	
L8206	351P265010	COIL-CHOKE-CHIP - ACM2012		L8510	409P865080	EMI-F-CHIP - BLM18PG6	be
L8207	351P265010	COIL-CHOKE-CHIP - ACM2012		L8700	325C412050	COIL-CHIP - 100MH-J	
L8280	409P865080	EMI-F-CHIP - BLM18PG6		L8701	325C420030	COIL-CHIP - 2.2MH-M	
L8301	409P865080	EMI-F-CHIP - BLM18PG6		L8702	325C420030	COIL-CHIP - 2.2MH-M	
L8304	325C501010	COIL-CHIP - ALQM21NNR47K10		L8703	325C420030	COIL-CHIP - 2.2MH-M	
L8305	325C501010	COIL-CHIP - ALQM21NNR47K10		L8704	325C420030	COIL-CHIP - 2.2MH-M	
L8307	409P865080	EMI-F-CHIP - BLM18PG6		L8705	325C412050	COIL-CHIP - 100MH-J	
L8307	409P865080	EMI-F-CHIP - BLM18PG6	be	L8706	409P923060	EMI-F-CHIP - BLM21B272S	
L8309	409P865080	EMI-F-CHIP - BLM18PG6		L8707	409P923060	EMI-F-CHIP - BLM21B272S	
L8309	409P865080	EMI-F-CHIP - BLM18PG6	be	L8717	325C420030	COIL-CHIP - 2.2MH-M	
L8310	409P865080	EMI-F-CHIP - BLM18PG6		L8718	325C420030	COIL-CHIP - 2.2MH-M	
L8310	409P865080	EMI-F-CHIP - BLM18PG6	be	L8719	409P777080	EMI-F-CHIP - BLM21P221S	
L8311	409P865080	EMI-F-CHIP - BLM18PG6		L8722	325C420030	COIL-CHIP - 2.2MH-M	
L8311	409P865080	EMI-F-CHIP - BLM18PG6	be	L8723	409P923060	EMI-F-CHIP - BLM21B272S	
L8312	409P865080	EMI-F-CHIP - BLM18PG6		L8725	409P923060	EMI-F-CHIP - BLM21B272S	
L8312	409P865080	EMI-F-CHIP - BLM18PG6	be	L8726	409P923060	EMI-F-CHIP - BLM21B272S	
L8313	409P865080	EMI-F-CHIP - BLM18PG6		L8727	409P923060	EMI-F-CHIP - BLM21B272S	
L8313	409P865080	EMI-F-CHIP - BLM18PG6	be	L8729	409P923060	EMI-F-CHIP - BLM21B272S	
L8314	409P865080	EMI-F-CHIP - BLM18PG6		L8730	409P923060	EMI-F-CHIP - BLM21B272S	
L8314	409P865080	EMI-F-CHIP - BLM18PG6	be	L8736	409P923060	EMI-F-CHIP - BLM21B272S	
L8315	409P865080	EMI-F-CHIP - BLM18PG6		L8737	409P865080	EMI-F-CHIP - BLM18PG6	
L8315	409P865080	EMI-F-CHIP - BLM18PG6	be	L8738	409P923060	EMI-F-CHIP - BLM21B272S	
L8320	409P865080	EMI-F-CHIP - BLM18PG6		L8739	409P923060	EMI-F-CHIP - BLM21B272S	
L8320	409P865080	EMI-F-CHIP - BLM18PG6	be	L8800	409P936050	EMI-F-CHIP - HS800	
L8321	409P865080	EMI-F-CHIP - BLM18PG6		L8801	409P936050	EMI-F-CHIP - HS800	
L8321	409P865080	EMI-F-CHIP - BLM18PG6	be	L8802	409P936050	EMI-F-CHIP - HS800	
L8322	409P865080	EMI-F-CHIP - BLM18PG6		L8803	409P936050	EMI-F-CHIP - HS800	
L8322	409P865080	EMI-F-CHIP - BLM18PG6	be	L8804	409P936050	EMI-F-CHIP - HS800	

MODEL: WD-52525 / WD-52725 / WD-52825 / WD-62525 / WD-62725 / WD-62825

[#] Model Legend: [a] WD-52525, [b] WD-52725, [c] WD-52825, [d] WD-62525, [e] WD-62725, [f] WD-62825

Ref #	Part #	Part Name & Description	[#]	Ref #	Part #	Part Name & Description	[#]
L8807	325C414090	COIL-CHIP - 0.68MH-J		L8F02	321C140060	COIL-RF - 2.7MH-M	
L8809	325C410040	COIL-CHIP - 1.8MH-J		L8F03	321C140060	COIL-RF - 2.7MH-M	
L8834	409P865060	EMI-F-CHIP - BLM11B141S		L8F04	351P250010	COIL-CHOKE - GSTC6018-100M	
L8835	409P865060	EMI-F-CHIP - BLM11B141S		L8F05	321C140060	COIL-RF - 2.7MH-M	
L8863	409P865060	EMI-F-CHIP - BLM11B141S		L8F06	409P777080	EMI-F-CHIP - BLM21P221S	
L8A00	409P777080	EMI-F-CHIP - BLM21P221S	cf	L8F07	409P777080	EMI-F-CHIP - BLM21P221S	
L8A01	409P777080	EMI-F-CHIP - BLM21P221S	cf	L8F08	409P777080	EMI-F-CHIP - BLM21P221S	
L8A02	409P777080	EMI-F-CHIP - BLM21P221S	cf	L8F09	409P777080	EMI-F-CHIP - BLM21P221S	
L8A03	409P777080	EMI-F-CHIP - BLM21P221S	cf	L8F10	409P777080	EMI-F-CHIP - BLM21P221S	
L8A04	409P777080	EMI-F-CHIP - BLM21P221S	cf	L8F12	409P777080	EMI-F-CHIP - BLM21P221S	
L8A05	409P777080	EMI-F-CHIP - BLM21P221S	cf	L8F13	409P777080	EMI-F-CHIP - BLM21P221S	
L8A06	409P777080	EMI-F-CHIP - BLM21P221S	cf	L8F14	409P777080	EMI-F-CHIP - BLM21P221S	
L8A07	409P777080	EMI-F-CHIP - BLM21P221S	cf	L8F15	409P777080	EMI-F-CHIP - BLM21P221S	
L8A08	409P777080	EMI-F-CHIP - BLM21P221S	cf	L8F16	409P777080	EMI-F-CHIP - BLM21P221S	
L8A11	325C241030	COIL-CHIP - 10MH-K	cf	L8F17	409P777080	EMI-F-CHIP - BLM21P221S	
L8B00	409P865040	EMI-F-CHIP - BLM11B050SA		L8F18	409P777080	EMI-F-CHIP - BLM21P221S	
L8B01	409P865040	EMI-F-CHIP - BLM11B050SA		L8F19	409P777080	EMI-F-CHIP - BLM21P221S	
L8B02	409P865040	EMI-F-CHIP - BLM11B050SA		L8F20	409P777080	EMI-F-CHIP - BLM21P221S	
L8B03	409P865060	EMI-F-CHIP - BLM11B141S		L8G00	409P777080	EMI-F-CHIP - BLM21P221S	bcef
L8B04	409P865060	EMI-F-CHIP - BLM11B141S		L8G01	409P777080	EMI-F-CHIP - BLM21P221S	bcef
L8B05	409P865020	EMI-F-CHIP - BLM11A601S		L8H00	409P777080	EMI-F-CHIP - BLM21P221S	bcef
L8B08	409P865020	EMI-F-CHIP - BLM11A601S		L8H00	409P777080	EMI-F-CHIP - BLM21P221S	
L8B09	325C241030	COIL-CHIP - 10MH-K		L8H01	409P777080	EMI-F-CHIP - BLM21P221S	
L8B10	409P865020	EMI-F-CHIP - BLM11A601S		L8H03	409P777080	EMI-F-CHIP - BLM21P221S	
L8B13	325C241030	COIL-CHIP - 10MH-K		L8H05	409P777080	EMI-F-CHIP - BLM21P221S	
L8B14	409P865060	EMI-F-CHIP - BLM11B141S		L8H10	409P777080	EMI-F-CHIP - BLM21P221S	bcef
L8B15	409P865060	EMI-F-CHIP - BLM11B141S		L8H11	409P777080	EMI-F-CHIP - BLM21P221S	
L8C01	409P964010	EMI-F-CHIP - BK2125HS102		L8H13	409P777080	EMI-F-CHIP - BLM21P221S	
L8C02	409P964010	EMI-F-CHIP - BK2125HS102		L8H24	409P777080	EMI-F-CHIP - BLM21P221S	
L8C04	409P964010	EMI-F-CHIP - BK2125HS102		L8H25	409P777080	EMI-F-CHIP - BLM21P221S	
L8C05	409P964010	EMI-F-CHIP - BK2125HS102		L8H32	409P777080	EMI-F-CHIP - BLM21P221S	
L8C06	409P938020	EMI-F-CHIP - BK1608 LL121	bcef	L8H82	409P777080	EMI-F-CHIP - BLM21P221S	
L8C06	409P938020	EMI-F-CHIP - BK1608 LL121		L8H83	409P777080	EMI-F-CHIP - BLM21P221S	
L8C07	409P938020	EMI-F-CHIP - BK1608 LL121	bcef	L8H84	409P777080	EMI-F-CHIP - BLM21P221S	
L8C07	409P938020	EMI-F-CHIP - BK1608 LL121		L8H85	409P777080	EMI-F-CHIP - BLM21P221S	
L8C08	409P956040	EMI-F-CHIP - BLM18PG330SN1	bcef	L8H87	409P777080	EMI-F-CHIP - BLM21P221S	
L8C08	409P956040	EMI-F-CHIP - BLM18PG330SN1		L8H88	409P777080	EMI-F-CHIP - BLM21P221S	
L8C09	409P956040	EMI-F-CHIP - BLM18PG330SN1		L8H90	409P777080	EMI-F-CHIP - BLM21P221S	
L8C10	409P938020	EMI-F-CHIP - BK1608 LL121		L8H91	409P777080	EMI-F-CHIP - BLM21P221S	
L8C11	409P956040	EMI-F-CHIP - BLM18PG330SN1		L8T03	409P777080	EMI-F-CHIP - BLM21P221S	
L8C12	409P938020	EMI-F-CHIP - BK1608 LL121		L8T05	409P777080	EMI-F-CHIP - BLM21P221S	
L8C13	409P938020	EMI-F-CHIP - BK1608 LL121		L8T13	409P777080	EMI-F-CHIP - BLM21P221S	
L8D01	409P777080	EMI-F-CHIP - BLM21P221S		L8T24	409P777080	EMI-F-CHIP - BLM21P221S	
L8D02	409P777080	EMI-F-CHIP - BLM21P221S		L8T25	409P777080	EMI-F-CHIP - BLM21P221S	
L8D03	409P777080	EMI-F-CHIP - BLM21P221S	bcef	L8T32	409P777080	EMI-F-CHIP - BLM21P221S	
L8D03	409P777080	EMI-F-CHIP - BLM21P221S		L9A10	321C151070	COIL-RF - 22MH-K	
L8D04	409P964010	EMI-F-CHIP - BK2125HS102		L9A19	321C141010	COIL-RF - 6.8MH-M	
L8D05	409P777080	EMI-F-CHIP - BLM21P221S		L9A20	321C141010	COIL-RF - 6.8MH-M	
L8E00	409P777080	EMI-F-CHIP - BLM21P221S		L9A21	321C141010	COIL-RF - 6.8MH-M	
L8E01	409P777080	EMI-F-CHIP - BLM21P221S		L9A22	321C141030	COIL-RF - 10MH-K	
L8E03	409P777080	EMI-F-CHIP - BLM21P221S	bcef	L9A23	321C141030	COIL-RF - 10MH-K	
L8E04	409P777080	EMI-F-CHIP - BLM21P221S		L9A30	321C140060	COIL-RF - 2.7MH-M	
L8E05	409P777080	EMI-F-CHIP - BLM21P221S		L9A31	321C140060	COIL-RF - 2.7MH-M	
L8E06	409P777080	EMI-F-CHIP - BLM21P221S		L9A32	321C140060	COIL-RF - 2.7MH-M	
L8E07	409P777080	EMI-F-CHIP - BLM21P221S		L9A33	351P250010	COIL-CHOKE - GSTC6018-100M	
L8E08	409P777080	EMI-F-CHIP - BLM21P221S		L9A62	321C141010	COIL-RF - 6.8MH-M	
L8E09	409P777080	EMI-F-CHIP - BLM21P221S		L9A63	321C141090	COIL-RF - 33MH-K	
L8E10	409P777080	EMI-F-CHIP - BLM21P221S		L9A64	321C141090	COIL-RF - 33MH-K	
L8F01	409P777080	EMI-F-CHIP - BLM21P221S		L9A70	321C141090	COIL-RF - 33MH-K	
				L9A71	321C141090	COIL-RF - 33MH-K	

[#] Model Legend: [a] WD-52525, [b] WD-52725, [c] WD-52825, [d] WD-62525, [e] WD-62725, [f] WD-62825

Ref #	Part #	Part Name & Description	[#]	Ref #	Part #	Part Name & Description	[#]
L9D00	351P268010	LINE-FILTER - HF3545-502Y5R0-TXXBH		LC8605	409P945010	EMI-F-CHIP - NFL21SP506X13CD	
L9D01	351P268010	LINE-FILTER - HF3545-502Y5R0-TXXBH		LC8606	409P945010	EMI-F-CHIP - NFL21SP506X13CD	
L9D02	351P268010	LINE-FILTER - HF3545-502Y5R0-TXXBH		LC8607	409P945010	EMI-F-CHIP - NFL21SP506X13CD	
LC2C02	409P876020	EMI-F-CHIP - CNF20C470S/CKD510JB1H470S		LC8608	409P945010	EMI-F-CHIP - NFL21SP506X13CD	
LC2C03	409P876020	EMI-F-CHIP - CNF20C470S/CKD510JB1H470S		LC8609	409P945010	EMI-F-CHIP - NFL21SP506X13CD	
LC2C07	409P876020	EMI-F-CHIP - CNF20C470S/CKD510JB1H470S		LC8610	409P945010	EMI-F-CHIP - NFL21SP506X13CD	
LC8001	409P945010	EMI-F-CHIP - NFL21SP506X13CD		LC8611	409P945010	EMI-F-CHIP - NFL21SP506X13CD	
LC8002	409P945010	EMI-F-CHIP - NFL21SP506X13CD		LC8612	409P945010	EMI-F-CHIP - NFL21SP506X13CD	
LC81A1	409P945010	EMI-F-CHIP - NFL21SP506X13CD		LC8613	409P945010	EMI-F-CHIP - NFL21SP506X13CD	
LC8300	409P945010	EMI-F-CHIP - NFL21SP506X13CD		LC8614	409P945010	EMI-F-CHIP - NFL21SP506X13CD	
LC8301	409P945010	EMI-F-CHIP - NFL21SP506X13CD		LC8615	409P945010	EMI-F-CHIP - NFL21SP506X13CD	
LC8302	409P945010	EMI-F-CHIP - NFL21SP506X13CD		LC8616	409P945010	EMI-F-CHIP - NFL21SP506X13CD	
LC8303	409P945010	EMI-F-CHIP - NFL21SP506X13CD		LC8617	409P945010	EMI-F-CHIP - NFL21SP506X13CD	
LC8304	409P945010	EMI-F-CHIP - NFL21SP506X13CD		LC8618	409P945010	EMI-F-CHIP - NFL21SP506X13CD	
LC8305	409P945010	EMI-F-CHIP - NFL21SP506X13CD		LC8619	409P945010	EMI-F-CHIP - NFL21SP506X13CD	
LC8306	409P945010	EMI-F-CHIP - NFL21SP506X13CD		LC8620	409P945010	EMI-F-CHIP - NFL21SP506X13CD	
LC8307	409P945010	EMI-F-CHIP - NFL21SP506X13CD		LF7D02	409P944010	EMI-F-CHIP - NFL21SP107X1	
LC8308	409P945010	EMI-F-CHIP - NFL21SP506X13CD		LF7D04	409P944010	EMI-F-CHIP - NFL21SP107X1	
LC8309	409P945010	EMI-F-CHIP - NFL21SP506X13CD		LF7D06	409P944010	EMI-F-CHIP - NFL21SP107X1	
LC8310	409P945010	EMI-F-CHIP - NFL21SP506X13CD		LF7D08	409P944010	EMI-F-CHIP - NFL21SP107X1	
LC8312	409P945010	EMI-F-CHIP - NFL21SP506X13CD		LF7D10	409P944010	EMI-F-CHIP - NFL21SP107X1	
LC8313	409P945010	EMI-F-CHIP - NFL21SP506X13CD		LF7D12	409P944010	EMI-F-CHIP - NFL21SP107X1	
LC8314	409P945010	EMI-F-CHIP - NFL21SP506X13CD		LF7D14	409P944010	EMI-F-CHIP - NFL21SP107X1	
LC8315	409P945010	EMI-F-CHIP - NFL21SP506X13CD		LF7D16	409P944010	EMI-F-CHIP - NFL21SP107X1	
LC8316	409P945010	EMI-F-CHIP - NFL21SP506X13CD		LF7D18	409P944010	EMI-F-CHIP - NFL21SP107X1	
LC8317	409P945010	EMI-F-CHIP - NFL21SP506X13CD		LF7D20	409P944010	EMI-F-CHIP - NFL21SP107X1	
LC8318	409P945010	EMI-F-CHIP - NFL21SP506X13CD		LF7D22	409P944010	EMI-F-CHIP - NFL21SP107X1	
LC8319	409P945010	EMI-F-CHIP - NFL21SP506X13CD		LF7D24	409P944010	EMI-F-CHIP - NFL21SP107X1	
LC8501	409P945010	EMI-F-CHIP - NFL21SP506X13CD		LF7H13	409P865020	EMI-F-CHIP - BLM11A601S	
LC8502	409P945010	EMI-F-CHIP - NFL21SP506X13CD		LF7H14	409P865020	EMI-F-CHIP - BLM11A601S	
LC8503	409P945010	EMI-F-CHIP - NFL21SP506X13CD		LF7H18	409P865020	EMI-F-CHIP - BLM11A601S	
LC8504	409P945010	EMI-F-CHIP - NFL21SP506X13CD		LF7H20	409P865020	EMI-F-CHIP - BLM11A601S	
LC8505	409P945010	EMI-F-CHIP - NFL21SP506X13CD		LF7H22	409P865020	EMI-F-CHIP - BLM11A601S	
LC8506	409P945010	EMI-F-CHIP - NFL21SP506X13CD		LF7H24	409P865020	EMI-F-CHIP - BLM11A601S	
LC8507	409P945010	EMI-F-CHIP - NFL21SP506X13CD		T2830	409P961010	CHIP-FILTER - ACM2012D-9002P	
LC8508	409P945010	EMI-F-CHIP - NFL21SP506X13CD		T2860	409P961010	CHIP-FILTER - ACM2012D-9002P	
LC8509	409P945010	EMI-F-CHIP - NFL21SP506X13CD		T2910	409P961010	CHIP-FILTER - ACM2012D-9002P	
LC8511	409P945010	EMI-F-CHIP - NFL21SP506X13CD		T2961	409P961010	CHIP-FILTER - ACM2012D-9002P	
LC8512	409P945010	EMI-F-CHIP - NFL21SP506X13CD					
LC8514	409P945010	EMI-F-CHIP - NFL21SP506X13CD					
LC8515	409P945010	EMI-F-CHIP - NFL21SP506X13CD					
LC8516	409P945010	EMI-F-CHIP - NFL21SP506X13CD					
LC8517	409P945010	EMI-F-CHIP - NFL21SP506X13CD					
LC8518	409P945010	EMI-F-CHIP - NFL21SP506X13CD					
LC8519	409P945010	EMI-F-CHIP - NFL21SP506X13CD					
LC8520	409P945010	EMI-F-CHIP - NFL21SP506X13CD					
LC8521	409P945010	EMI-F-CHIP - NFL21SP506X13CD					
LC8522	409P945010	EMI-F-CHIP - NFL21SP506X13CD					
LC8523	409P945010	EMI-F-CHIP - NFL21SP506X13CD					
LC8524	409P945010	EMI-F-CHIP - NFL21SP506X13CD					
LC8525	409P945010	EMI-F-CHIP - NFL21SP506X13CD					
LC8526	409P945010	EMI-F-CHIP - NFL21SP506X13CD					
LC8527	409P945010	EMI-F-CHIP - NFL21SP506X13CD					
LC8528	409P945010	EMI-F-CHIP - NFL21SP506X13CD					
LC8529	409P945010	EMI-F-CHIP - NFL21SP506X13CD					
LC8530	409P945010	EMI-F-CHIP - NFL21SP506X13CD					
LC8531	409P945010	EMI-F-CHIP - NFL21SP506X13CD					
LC8601	409P945010	EMI-F-CHIP - NFL21SP506X13CD					
LC8602	409P945010	EMI-F-CHIP - NFL21SP506X13CD					
LC8603	409P945010	EMI-F-CHIP - NFL21SP506X13CD					

TRANSFORMERS

T9A10 350P820010 TRANS-POWER - SRW39LEC

VARISTORS

RV9D00 265P100020 VAR - ERZV10D271CS

RV9D01 265P100020 VAR - ERZV10D271CS

[#] Model Legend: [a] WD-52525, [b] WD-52725, [c] WD-52825, [d] WD-62525, [e] WD-62725, [f] WD-62825

Ref #	Part #	Part Name & Description	[#]
RESISTORS			
CHIP Type Resistors (Listed by Value)			
Part No.	Value	Part No.	Value
103P509050	1/16W 00HM	103P493070	1/16W 3.3K-F
103P508040	1/16W 2.2-J	103P503010	1/16W 3.3K-J
103P509000	1/16W 6.8-J	103P503020	1/16W 3.9K-J
103P500010	1/16W 10-J	103P494010	1/16W 4.7K-F
103P910040	1/16W 18-J	103P503030	1/16W 4.7K-J
103P500050	1/16W 22-J	103P913030	1/16W 4.7K-Jx4
103P500060	1/16W 27-J	103P494020	1/16W 5.1K-F
103P500070	1/16W 33-J	103P494030	1/16W 5.6K-F
103P910070	1/16W 33-J	103P503040	1/16W 5.6K-J
103P793080	1/16W 36F	103P814040	1/16W 6.2K-D
103P500080	1/16W 39-J	103P503050	1/16W 6.8K-J
103P794010	1/16W 47-F	103P494070	1/16W 8.2K-F
103P500090	1/16W 47-J	103P503060	1/16W 8.2K-J
103P844030	1/16W 56-D	103P494080	1/16W 9.1K-F
103P501000	1/16W 56-J	103P494090	1/16W 10K-F
103P911000	1/16W 56-Jx4	103P503070	1/16W 10K-J
103P501010	1/16W 68-J	103P913070	1/16W 10K-Jx4
103P794060	1/16W 75-F	103P495010	1/16W 12K-F
103P509090	1/16W 75-J	103P503080	1/16W 12K-J
103P501020	1/16W 82-J	103P495020	1/16W 13K-F
103P794080	1/16W 91F	103P495030	1/16W 15K-F
103P501030	1/16W 100-J	103P503090	1/16W 15K-J
103P501040	1/16W 120-J	103P495050	1/16W 18K-F
103P810050	1/16W 150-D	103P504000	1/16W 18K-J
103P490050	1/16W 150-F	103P504010	1/16W 22K-J
103P501050	1/16W 150-J	103P495090	1/16W 27K-F
103P490080	1/16W 200-F	103P496000	1/16W 30K-F
103P490090	1/16W 220-F	103P496010	1/16W 33K-F
103P501070	1/16W 220-J	103P504030	1/16W 33K-J
103P491000	1/16W 240-F	103P504040	1/16W 39K-J
103P491010	1/16W 270-F	103P496040	1/16W 43K-F
103P501080	1/16W 270-J	103P504050	1/16W 47K-J
103P491020	1/16W 300-F	103P914050	1/16W 47K-Jx4
103P501090	1/16W 330-J	103P496070	1/16W 56K-F
103P491040	1/16W 360-F	103P504060	1/16W 56K-J
103P491050	1/16W 390-F	103P504070	1/16W 68K-J
103P502000	1/16W 390-J	103P504080	1/16W 82K-J
103P491060	1/16W 430-F	103P497030	1/16W 100K-F
103P491070	1/16W 470-F	103P504090	1/16W 100K-J
103P502010	1/16W 470-J	103P497050	1/16W 120K-F
103P491080	1/16W 510-F	103P505000	1/16W 120K-J
103P502020	1/16W 560-J	103P505010	1/16W 150K-J
103P492010	1/16W 680-F	103P505030	1/16W 220K-J
103P502030	1/16W 680-J	103P498020	1/16W 240K-F
103P502040	1/16W 820-J	103P505050	1/16W 330K-J
103P492050	1/16W 1K-F	103P505090	1/16W 680K-J
103P502050	1/16W 1K-J	103P506000	1/16W 820K-J
103P492060	1/16W 1.1K-F	103P506010	1/16W 1M-J
103P492070	1/16W 1.2K-F	103P400050	1/10W 22-J
103P502060	1/16W 1.2K-J	103P400090	1/10W 47-J
103P492080	1/16W 1.3K-F	103P401000	1/10W 56-J
103P492090	1/16W 1.5K-F	103P401030	1/10W 100-J
103P502070	1/16W 1.5K-J	103P401050	1/10W 150-J
103P493010	1/16W 1.8K-F	103P409050	1/8W 00HM
103P502080	1/16W 1.8K-J	103P470090	1/8W 220-F
103P493020	1/16W 2K-F	103P471010	1/8W 270-F
103P493030	1/16W 2.2K-F	103P472090	1/8W 1.5K-F
103P502090	1/16W 2.2K-J	103P402090	1/8W 2.2K-J
103P493050	1/16W 2.7K-F	103P481070	1/4W 220-J
103P503000	1/16W 2.7K-J	103P489090	1/4W 75-J
103P493060	1/16W 3K-F		

Ref #	Part #	Part Name & Description	[#]
RESISTORS			
Conventional Resistors (By Ref #)			
Ref #	Part #	Part Name & Description	[#]
R2814	103C399000	R-METAL-P - 3W 6.8K	
R2817	103C399000	R-METAL-P - 3W 6.8K	
R2818	103P910050	R-NET - 1/16W 22-J	
R2819	103P910050	R-NET - 1/16W 22-J	
R2820	103P910050	R-NET - 1/16W 22-J	
R2821	103P910050	R-NET - 1/16W 22-J	
R2822	103P910050	R-NET - 1/16W 22-J	
R3E27	109D151030	R-CARBON - 1/4W 4.7-J	
R3E28	103C170050	R-METAL - 1W 22-J	
R3E29	109D151030	R-CARBON - 1/4W 4.7-J	
R3E30	109D151030	R-CARBON - 1/4W 4.7-J	
R3E31	109D151030	R-CARBON - 1/4W 4.7-J	
R3E32	103C170050	R-METAL - 1W 22-J	
R7E12	103C178010	R-METAL - 1W 1.2-J	
R7K36	103P710090	R-CARBON - 1/4W 47-J	
R8700	103C398000	R-METAL-P - 3W 1-K	
R8H10	103C398050	R-METAL-P - 3W 2.7-K	
R8H20	103C398020	R-METAL-P - 3W 1.5-K	
R9A01	109P179010	R-CEMENT-PLATE - 6.8-J	
R9A02	109P179010	R-CEMENT-PLATE - 6.8-J	
R9A03	109C010010R-COMP	- 1/2W 1M-K	
R9A05	109C010010R-COMP	- 1/2W 1M-K	
R9A06	109C010010R-COMP	- 1/2W 1M-K	
R9A09	103P145030	R-CARBON - 1/2W 220K-J	
R9A11	103P145030	R-CARBON - 1/2W 220K-J	
R9A13	103C194090	R-METAL - 3W 100K-J	
R9A14	103C194090	R-METAL - 3W 100K-J	
R9A15	103C394020	R-METAL-P - 3W 27K	
R9A16	103P145020	R-CARBON - 1/2W 180K-J	
R9A17	103P145020	R-CARBON - 1/2W 180K-J	
R9A18	103P145020	R-CARBON - 1/2W 180K-J	
R9A19	103P144020	R-CARBON - 1/2W 27K-J	
R9A20	103P144020	R-CARBON - 1/2W 27K-J	
R9A21	103C177040	R-METAL - 1W 0.33-J	
R9A22	103C177040	R-METAL - 1W 0.33-J	
R9A25	103P142050	R-CARBON - 1/2W 1K-J	
R9A26	109D151060	R-CARBON - 1/4W 68-J	
R9A27	109D151050	R-CARBON - 1/4W 75-J	
R9A62	103C398020	R-METAL-P - 3W 1.5-K	
R9A66	103P712000	R-CARBON - 1/4W 390-J	
R9A67	103P712000	R-CARBON - 1/4W 390-J	
R9A68	103P712000	R-CARBON - 1/4W 390-J	
R9A69	103P712000	R-CARBON - 1/4W 390-J	
R9A76	103C392010	R-METAL-P - 3W 470-J	
R9A77	103C392010	R-METAL-P - 3W 470-J	
R9A89	103P141090	R-CARBON - 1/2W 330-J	
R9A90	103C394020	R-METAL-P - 3W 27K	
R9A91	103C394020	R-METAL-P - 3W 27K	
R9A92	103C288040	R-METAL-CP - 2W 2.2-J	
R9C01	103C288070	R-METAL-CP - 2W 3.9-J	

[#] Model Legend: [a] WD-52525, [b] WD-52725, [c] WD-52825, [d] WD-62525, [e] WD-62725, [f] WD-62825

Ref #	Part #	Part Name & Description	[#]
R9D00	109D036020	R-COMP - 1/2W 4.7M-K	
R9F01	103P713030	R-CARBON - 1/4W 4.7K-J	
R9F02	103P713030	R-CARBON - 1/4W 4.7K-J	
R9F03	103P713070	R-CARBON - 1/4W 10K-J	
R9F04	103P713070	R-CARBON - 1/4W 10K-J	
R9F05	103P712030	R-CARBON - 1/4W 680-J	
R9F06	103P711030	R-CARBON - 1/4W 100-J	
R9F07	103P713070	R-CARBON - 1/4W 10K-J	
R9F08	103P713070	R-CARBON - 1/4W 10K-J	
R9F09	103P713040	R-CARBON - 1/4W 5.6K-J	
R9F10	103P713030	R-CARBON - 1/4W 4.7K-J	
R9M00	103C288030	R-METAL-CP - 2W 1.8-J	
CAPACITORS			
CHIP Type Capacitors (Listed by Value)			
Part No.	Value	Part No.	Value
181P528000	4V100M105C	181P526010	50V1M-M
181P528010	4V220M105C	154P340040	50V3P-C
181P522060	6V47M-M	141P133080	B50V0.01M-Z
181P520010	6.3V22M-M105C	141P142010	B50V0.01M-K
181P530030	6.3V47M-M105C	141P132030	B50V0.015M-K
181P520030	6.3V47M-M	141P140010	B50V220P-K
181P520040	6.3V100M-M	141P140050	B50V470P-K
181P500060	6.3V220M-M	141P140090	B50V1000P-K
181P520050	6.3V220M-M105C	141P141010	B50V1500P-K
141P146080	B10V0.47M-K	141P141030	B50V2200P-K
141P133010	B10V3.3M-M	141P141050	B50V3300P-K
141P147020	B10V6.3V1M-K	141P141070	B50V4700P-K
181P532020	16V4.7M-M105C	141P142000	B50V8200P-K
181P508080	16V10M-M	154P340010	CK50V1P-C
181P522030	16V10M-M105C	154P340030	CK50V2P-C
181P532030	B16V10M-M105C	154P340060	CK50V5P-C
181P522040	16V22M-M105C	154P340090	CH50V8P-C
181P502060	16V47M-M	154P341010	CH50V10P-C
181P502070	16V100M-M	154P341030	CH50V12P-J
141P143020	B16V0.082M-K	154P341050	CH50V15P-J
141P143030	B16V0.1M-K	154P341070	CH50V18P-J
141P139090	B16V0.47M-K	154P341090	CH50V22P-J
141P134070	B16V1M-K	154P342010	CH50V27P-J
141P144050	F16V0.47M-Z	154P342030	CH50V33P-J
141P136020	F16V0.68M-Z	154P342050	CH50V39P-J
141P135070	F16V1M-Z	154P342070	CH50V47P-J
141P142090	B25V0.047M-K	154P342090	CH50V56P-J
141P143010	B25V0.068M-K	154P343050	CH50V100P-J
141P139030	B25V0.1M-K	154P343070	CH50V120P-J
141P138080	B25V0.33M-K	154P344030	CH50V220P-J
141P148000	B25V1M-K	154P344050	CH50V270P-J
141P144020	F25V0.1M-Z	154P344070	CH50V330P-J
141P135000	F25V0.22M-Z	154P345010	CH50V470P-J
141P135010	F25V0.33M-Z	141P143080	F50V0.01M-Z
141P135020	F25V0.47M-Z	141P144010	F50V0.047M-Z
141P144060	F25V1M-Z	141P134090	F50V0.1M-Z
154P345030	CH25V560P-J	141P135080	F50V25V0.1M-Z
154P345050	CH25V680P-J	141P143050	F50V1000P-Z
154P345070	CH25V820P-J	154P352020	SL50V27P-J
154P345090	CH25V1000P-J	154P352040	SL50V33P-J
181P524090	35V4.7M-M105C	154P354040	SL50V220P-J
181P525000	35V10M-M105C	154P325040	SL50V560P-J

Ref #	Part #	Part Name & Description	[#]
CAPACITORS AND TRIMMERS			
Conventional Capacitors (By Ref #)			
Ref #	Part #	Part Name & Description	[#]
C1H03	181P352040	C-ELEC - 16V 100M-M	
C1H05	172P262010	C-M-POLY - 50V 0.047M-J	
C1H53	181P352040	C-ELEC - 16V 100M-M	
C1H55	172P262010	C-M-POLY - 50V 0.047M-J	
C2014	181P355060	C-ELEC - 50V 22M-M	
C2016	181P352040	C-ELEC - 16V 100M-M	
C2019	181P351070	C-ELEC - 10V 470M-M	
C2064	181P355060	C-ELEC - 50V 22M-M	
C2081	181P355050	C-ELEC - 50V 10M-M	
C2114	181P355060	C-ELEC - 50V 22M-M	
C2144	181P355060	C-ELEC - 50V 22M-M	
C2173	181P355060	C-ELEC - 50V 22M-M	
C2213	181P355060	C-ELEC - 50V 22M-M	
C2233	181P355050	C-ELEC - 50V 10M-M	
C2242	181P355050	C-ELEC - 50V 10M-M	
C2762	181P355050	C-ELEC - 50V 10M-M	
C2803	181P355050	C-ELEC - 50V 10M-M	
C2824	181P355060	C-ELEC - 50V 22M-M	
C2C20	181P352030	C-ELEC - 16V 47M-M	
C2K06	181P355050	C-ELEC - 50V 10M-M	
C2K10	181P355050	C-ELEC - 50V 10M-M	
C2K52	181P352030	C-ELEC - 16V 47M-M	
C2K59	181P352030	C-ELEC - 16V 47M-M	
C2K62	181P352030	C-ELEC - 16V 47M-M	
C2K68	181P352030	C-ELEC - 16V 47M-M	
C2K72	181P352030	C-ELEC - 16V 47M-M	
C2K73	181P352030	C-ELEC - 16V 47M-M	
C2K77	181P352030	C-ELEC - 16V 47M-M	
C2K81	181P352030	C-ELEC - 16V 47M-M	
C2K83	181P352030	C-ELEC - 16V 47M-M	
C2L03	181P351080	C-ELEC - 10V 1000M-M	
C2L16	181P355050	C-ELEC - 50V 10M-M	
C2L22	181P352010	C-ELEC - 16V 22M-M	
C2L31	181P355050	C-ELEC - 50V 10M-M	
C2L32	181P122070	C-ELEC-NP - 25V 10M-M	
C2L33	181P355050	C-ELEC - 50V 10M-M	
C2L34	181P122070	C-ELEC-NP - 25V 10M-M	
C2L51	181P355050	C-ELEC - 50V 10M-M	
C2L52	181P122070	C-ELEC-NP - 25V 10M-M	
C2L53	181P355050	C-ELEC - 50V 10M-M	
C2L54	181P122070	C-ELEC-NP - 25V 10M-M	
C2L61	181P352030	C-ELEC - 16V 47M-M	
C2M26	181P352040	C-ELEC - 16V 100M-M	
C2M28	181P351080	C-ELEC - 10V 1000M-M	
C2M29	181P351080	C-ELEC - 10V 1000M-M	
C2M31	181P352030	C-ELEC - 16V 47M-M	
C2M33	181P352030	C-ELEC - 16V 47M-M	
C2M36	181P352040	C-ELEC - 16V 100M-M	
C2M38	181P352030	C-ELEC - 16V 47M-M	
C2M39	181P352030	C-ELEC - 16V 47M-M	
C2M43	181P352030	C-ELEC - 16V 47M-M	
C2M44	181P352030	C-ELEC - 16V 47M-M	
C2M54	181P355050	C-ELEC - 50V 10M-M	
C2M56	181P352030	C-ELEC - 16V 47M-M	
C2M59	181P352030	C-ELEC - 16V 47M-M	

MODEL: WD-52525 / WD-52725 / WD-52825 / WD-62525 / WD-62725 / WD-62825

[#] Model Legend: [a] WD-52525, [b] WD-52725, [c] WD-52825, [d] WD-62525, [e] WD-62725, [f] WD-62825

Ref #	Part #	Part Name & Description	[#]
C2M64	181P352030	C-ELEC - 16V 47M-M	
C2M73	181P352030	C-ELEC - 16V 47M-M	
C2M75	181P352030	C-ELEC - 16V 47M-M	
C2M76	181P352040	C-ELEC - 16V 100M-M	
C2M77	181P352040	C-ELEC - 16V 100M-M	
C2M80	181P352030	C-ELEC - 16V 47M-M	
C2M88	181P355010	C-ELEC - 50V 1M-M	
C2M89	181P352030	C-ELEC - 16V 47M-M	
C2M98	181P355050	C-ELEC - 50V 10M-M	
C3E50	181P358070	C-ELEC - 63V 22M-M	
C3E51	181P354090	C-ELEC - 35V 470M-M	
C3E52	181P354090	C-ELEC - 35V 470M-M	
C3E53	181P354090	C-ELEC - 35V 470M-M	
C3E54	181P354090	C-ELEC - 35V 470M-M	
C3E91	181P375050	C-ELE-BP-AUDIO - 25V 1000M-M	
C3E92	181P375050	C-ELE-BP-AUDIO - 25V 1000M-M	
C3J08	181P352030	C-ELEC - 16V 47M-M	
C3J26	181P352030	C-ELEC - 16V 47M-M	
C3J38	181P355050	C-ELEC - 50V 10M-M	
C7A00	154P345050	C-CER-CHIP - CH25V 680P-J	
C7B02	181P355020	C-ELEC - 50V 2.2M-M	
C7B16	181P352030	C-ELEC - 16V 47M-M	
C7B88	181P355050	C-ELEC - 50V 10M-M	
C7B91	181P355050	C-ELEC - 50V 10M-M	
C7B96	181P355020	C-ELEC - 50V 2.2M-M	
C7B99	181P352030	C-ELEC - 16V 47M-M	
C7E03	181P352050	C-ELEC - 16V 220M-M	
C7K01	181P352030	C-ELEC - 16V 47M-M	
C7K21	181P355050	C-ELEC - 50V 10M-M	
C7K23	181P352030	C-ELEC - 16V 47M-M	
C7K28	181P355050	C-ELEC - 50V 10M-M	
C7P15	181P352030	C-ELEC - 16V 47M-M	
C7P19	181P352030	C-ELEC - 16V 47M-M	
C7Q02	181P352040	C-ELEC - 16V 100M-M	
C7Q52	181P352040	C-ELEC - 16V 100M-M	
C81A2	181P182030	C-ELEC - 16V 1000M-M 105C	
C81A3	181P182030	C-ELEC - 16V 1000M-M 105C	
C81B3	181P182030	C-ELEC - 16V 1000M-M 105C	
C81B4	181P182030	C-ELEC - 16V 1000M-M 105C	
C8281	189P197020	C-ELE-DBL-LA - FM0H473Z/EECS5R5T473Z	
C8702	181P355090	C-ELEC - 50V 100M-M	
C8703	181P185060	C-ELEC - 50V 10M-M 105C	
C8705	181P184020	C-ELEC - 35V 100M-M	
C8708	181P185090	C-ELEC - 50V 47M-M 105C	
C8710	181P181000	C-ELEC - 10V 330M-M 105C	
C8717	181P352060	C-ELEC - 16V 330M-M	
C8719	181P732000	C-ELEC - 10V 680M-M 105C	
C8720	181P185060	C-ELEC - 50V 10M-M 105C	
C8725	181P732000	C-ELEC - 10V 680M-M 105C	
C8727	181P181000	C-ELEC - 10V 330M-M 105C	
C8729	181P732000	C-ELEC - 10V 680M-M 105C	
C8733	181P732000	C-ELEC - 10V 680M-M 105C	
C8736	181P185060	C-ELEC - 50V 10M-M 105C	
C8738	181P352060	C-ELEC - 16V 330M-M	
C8742	181P185060	C-ELEC - 50V 10M-M 105C	
C8748	181P185060	C-ELEC - 50V 10M-M 105C	
C8749	181P184020	C-ELEC - 35V 100M-M	
C8751	181P185060	C-ELEC - 50V 10M-M 105C	
C8754	181P184020	C-ELEC - 35V 100M-M	

Ref #	Part #	Part Name & Description	[#]
C8760	181P352030	C-ELEC - 16V 47M-M	
C8761	181P352060	C-ELEC - 16V 330M-M	
C8765	181P352030	C-ELEC - 16V 47M-M	
C8772	181P732000	C-ELEC - 10V 680M-M 105C	
C8773	181P353020	C-ELEC - 25V 10M-M	
C8780	181P182010	C-ELEC - 16V 330M-M 105C	
C8786	181P352030	C-ELEC - 16V 47M-M	
C8788	181P352060	C-ELEC - 16V 330M-M	
C8790	181P355030	C-ELEC - 50V 3.3M-M	
C8792	181P353020	C-ELEC - 25V 10M-M	
C8795	181P352030	C-ELEC - 16V 47M-M	
C8797	181P353060	C-ELEC - 25V 330M-M	
C8798	181P181000	C-ELEC - 10V 330M-M 105C	
C87A0	181P181000	C-ELEC - 10V 330M-M 105C	
C87A3	181P181000	C-ELEC - 10V 330M-M 105C	
C87A7	181P181000	C-ELEC - 10V 330M-M 105C	
C8839	181P185060	C-ELEC - 50V 10M-M 105C	
C8840	181P185060	C-ELEC - 50V 10M-M 105C	
C8844	181P185060	C-ELEC - 50V 10M-M 105C	
C8845	181P185060	C-ELEC - 50V 10M-M 105C	
C8847	181P185060	C-ELEC - 50V 10M-M 105C	
C8848	181P185060	C-ELEC - 50V 10M-M 105C	
C8852	181P185060	C-ELEC - 50V 10M-M 105C	
C8853	181P185060	C-ELEC - 50V 10M-M 105C	
C8C01	141P143030	C-CER-CHIP - B16V 0.1M-K	bcef
C8C01	141P143030C	C-CER-CHIP - B16V 0.1M-K	
C8C02	141P143030	C-CER-CHIP - B16V 0.1M-K	bcef
C8C02	141P143030C	C-CER-CHIP - B16V 0.1M-K	
C8F19	181P182030	C-ELEC - 16V 1000M-M 105C	
C8F21	181P182030	C-ELEC - 16V 1000M-M 105C	
C8F22	181P182030	C-ELEC - 16V 1000M-M 105C	
C8F27	181P182030	C-ELEC - 16V 1000M-M 105C	
C9A00	189P185090	C-CER - AC250V E2200P-M	
C9A01	189P185090	C-CER - AC250V E2200P-M	
C9A02	185D122050	C-ELEC - H200V 1000M-M	
C9A03	185D122050	C-ELEC - H200V 1000M-M	
C9A04	185D127040	C-ELEC - H450V 150M-M 105C	
C9A05	189P185090	C-CER - AC250V E2200P-M	
C9A06	189P185090	C-CER - AC250V E2200P-M	
C9A08	189P185090	C-CER - AC250V E2200P-M	
C9A09	189P185090	C-CER - AC250V E2200P-M	
C9A10	189P185090	C-CER - AC250V E2200P-M	
C9A11	189P185090	C-CER - AC250V E2200P-M	
C9A12	189P153010	C-M-POLY - AC125/250V 0.33M-M	
C9A13	189P152080	C-M-POLY - AC125/250V 0.015M-M	abde
C9A14	189P152080	C-M-POLY - AC125/250V 0.015M-M	abde
C9A15	189P185070	C-CER - AC250V E1000P-M	
C9A16	189P185070	C-CER - AC250V E1000P-M	
C9A20	154P232020	C-CER - B1KV 1000P-K	
C9A21	181P185060	C-ELEC - 50V 10M-M 105C	
C9A25	172P138010	C-POLY - 50V 4700P-J	
C9A26	185D122050	C-ELEC - H200V 1000M-M	
C9A27	185D122050	C-ELEC - H200V 1000M-M	
C9A29	181P185060	C-ELEC - 50V 10M-M 105C	
C9A30	181P185060	C-ELEC - 50V 10M-M 105C	
C9A32	181P735040	C-ELEC - 25V 1500M-M	
C9A33	181P735040	C-ELEC - 25V 1500M-M	
C9A35	181P735010	C-ELEC - 25V 470M-M	
C9A37	181P732040	C-ELEC - 10V 3300M-M 105C	
C9A38	181P732040	C-ELEC - 10V 3300M-M 105C	

MODEL: WD-52525 / WD-52725 / WD-52825 / WD-62525 / WD-62725 / WD-62825

[#] Model Legend: [a] WD-52525, [b] WD-52725, [c] WD-52825, [d] WD-62525, [e] WD-62725, [f] WD-62825

Ref #	Part #	Part Name & Description	[#]	Ref #	Part #	Part Name & Description	[#]
C9A40	181P184070	C-ELEC - 35V 2200M-M		242D535060	CABLE - 1394 - 1000mm		abde
C9A41	181P732010	C-ELEC - 10V 1000M-M 105C		242D535070	CABLE - 1394 - 1300mm		cf
C9A43	172P262050	C-M-POLY - 50V 0.1M-J		242D536030	CABLE MEMORY		
C9A45	181P182030	C-ELEC - 16V 1000M-M 105C		242D540010	CABLE-IF - F-CONN 250mm		
C9A46	142P010090	C-CER - B500V 470P-K		242D543010	CABLE - 1394 - 500mm L		cf
C9A47	142P010090	C-CER - B500V 470P-K		242D546020	IF-CABLE - PIN-PLUG 70mm		be
C9A50	141P134090C	CER-CHIP - F50V 0.1M-Z		242D546030	IF-CABLE - PIN-PLUG 200mm		be
C9A51	181P182030	C-ELEC - 16V 1000M-M 105C		246C501010	CABLE - DVI TO DVI		
C9A52	181P182030	C-ELEC - 16V 1000M-M 105C		299P103050	FAN - MMF-04B12-DL-RB1		be
C9A61	181P182030	C-ELEC - 16V 1000M-M 105C		299P254020	IR-EMITTER, 4-HEAD - T-IR-02 W/FERRITE CO		
C9A62	181P182030	C-ELEC - 16V 1000M-M 105C		299P278020	FAN - EFB06121A-R00		
C9A64	181P181000	C-ELEC - 10V 330M-M 105C		299P280010	SENSR-THERMAL - 060BLRU32		
C9A66	181P183010	C-ELEC - 25V 100M-M		299P280020	SENSR-THERMAL - 045BLRU34		
C9A68	181P183010	C-ELEC - 25V 100M-M		305P703010	2RF-SWITCH		
C9A71	181P183010	C-ELEC - 25V 100M-M		411D044020	CORE-FERRITE - ZCAT2032-0930		
C9A73	181P735020	C-ELEC - 25V 1000M-M 105C		411D062010	CORE-FERRITE - ZCAT1518-0730		
C9A77	181P183010	C-ELEC - 25V 100M-M		411D063020	CORE-FERRITE - CAT3035		
C9A79	181P183010	C-ELEC - 25V 100M-M		411P026010	CORE-FERRITE - ZCAT2017		
C9A82	181P183010	C-ELEC - 25V 100M-M		411P026020	CORE-FERRITE - ZCAT2436		be
C9C02	181P352040	C-ELEC - 16V 100M-M		411P027010	CORE-FERRITE - ZCAT4625		
C9C03	181P352030	C-ELEC - 16V 47M-M		411P028010	CORE-FERRITE - HF57S427X1		
C9C13	181P351090	C-ELEC - 10V 2200M-M		436P021010	SW-MICRO		
C9C22	181P352030	C-ELEC - 16V 47M-M		480P077010	SPEAKER - COAXIAL		
C9C42	181P351090	C-ELEC - 10V 2200M-M		526C008010	DOOR-LINK - STRAP		cf
C9D00	189P153040	C-M-POLY - 250VAC 0.1M-M		592A032010	PLATE-REAR		
C9D01	189P153040	C-M-POLY - 250VAC 0.1M-M		598D417020	PLATE - RF-SWITCH		
C9D02	189P153040	C-M-POLY - 250VAC 0.1M-M		620D144010	FILTER - DUST		be
C9D03	189P153040	C-M-POLY - 250VAC 0.1M-M		622C208010	MIRROR - HOLDER - TOP		abc
C9D06	189P153040	C-M-POLY - 250VAC 0.1M-M		622C208020	MIRROR - HOLDER - TOP		def
C9F01	142P023080	C-CER - BF50V 0.01M-Z		622C209010	MIRROR - HOLDER - BOTTOM		abc
C9M01	181P352030	C-ELEC - 16V 47M-M		622C220010	COVER - LAMP - VENT		
C9M04	181P352030	C-ELEC - 16V 47M-M		622C247010	COVER-SW		
C9M05	181P352030	C-ELEC - 16V 47M-M		635B114010	MIRROR - BRACKET - TOP		abc
C9M08	181P352030	C-ELEC - 16V 47M-M		635B114020	MIRROR - BRACKET - TOP		def
C9M10	181P352040	C-ELEC - 16V 100M-M		641B991010	MIRROR - HOLDER - SIDE		abc
C9M12	181P352030	C-ELEC - 16V 47M-M		641B993010	COVER - FRONT		abde
C9M14	181P352040	C-ELEC - 16V 100M-M		641B999010	MIRROR - HOLDER - SIDE		def
C9M16	181P352030	C-ELEC - 16V 47M-M		704B205010	KNOB CONTROL		abc
				704B205020	KNOB CONTROL		def
				704B207010	BUTTON - RESET		
				752B142010	COVER - FILTER		
				752B143010	COVER - LAMP		abde
				752B149010	COVER - LAMP		cf
				752C297010	COVER - FRONT		cf
				754D025010	BUTTON - STOPPER		cf
				760A013010	INLAY TERMINAL		
				761B413010	MEMORY-CONT-PANEL		cf
				761B414010	MEMORY-CONT-BOTTOM		cf
				761B415010	MEMORY-CONT-TOP		cf
				767D075010	MIRROR (52")		abc
				767D075020	MIRROR (BIG)		def
				767D076010	MIRROR (SMALL)		
				915P020010	LAMP - CARTRIDGE		
				939P977010	OPTICAL-ENGINE		abc
				939P977020	OPTICAL-ENGINE		def
				939P978010	UNIT-POWER-LAMP		
				939P989010	ASSY-HDD-UNIT		cf
				AG9D00	299P220020	SURGE-SUPPRESSOR	
				F8F01	283P128050	FUSE-CHIP - AC125/100V 4A	
				F8F02	283P128040	FUSE-CHIP - AC125/100V 3.15A	

SWITCHES

S7L20	432P109010	SW-KEY BOARD - KSHS611BT	
S7L21	432P109010	SW-KEY BOARD - KSHS611BT	
S7L22	432P109010	SW-KEY BOARD - KSHS611BT	
S7L23	432P109010	SW-KEY BOARD - KSHS611BT	
S7L24	432P109010	SW-KEY BOARD - KSHS611BT	
S7L25	432P109010	SW-KEY BOARD - KSHS611BT	
S7L26	432P109010	SW-KEY BOARD - KSHS611BT	
S7L27	432P109010	SW-KEY BOARD - KSHS611BT	
S7L28	432P109010	SW-KEY BOARD - KSHS611BT	
S7L29	432P109010	SW-KEY BOARD - KSHS611BT	
S9F01	432P109010	SW-KEY BOARD - KSHS611BT	

MISCELLANEOUS

096Z465030	TAPE-LENS		abcef
096Z465080	TAPE-LENS		
242D527010	CABLE - IR		

[#] Model Legend: [a] WD-52525, [b] WD-52725, [c] WD-52825, [d] WD-62525, [e] WD-62725, [f] WD-62825

Ref #	Part #	Part Name & Description	[#]
F8F03	283P128050	FUSE-CHIP - AC125/100V 4A	
F9A01	283P144080	FUSE - 125V 5A	
F9A02	283P144040	FUSE - 32V 15A	
F9A03	283P144040	FUSE - 32V 15A	
F9A04	283P144080	FUSE - 125V 5A	
F9A05	283P144080	FUSE - 125V 5A	
F9A06	283P128050	FUSE-CHIP - AC125/100V 4A	
F9A07	283P128050	FUSE-CHIP - AC125/100V 4A	
F9A08	283P144070	FUSE - 125V 3A	
F9A09	283P127060	FUSE-CHIP - AC125/100V 630MA	
F9D00	283D131040	FUSE - S10A 125A	
SF8800	296P171010	SAW-FILTER - X6892D	
SF8801	296P172010	SAW-FILTER - X7303P	
CF8H01	299P128010	OSC-CERAMIC - CSB500F2	
CF8T01	299P128010	OSC-CERAMIC - CSB500F2	
J2000	452C410010	CONNECTOR-HDMI	
J2C01	452C388010	CONNECTOR-DSUB	
J8201	452C401010	CONNECTOR-USB	
J8202	452C401010	CONNECTOR-USB	
J8301	440C393030	PIN-JACK-BOARD-1P	
J8401	451P246010	JACK-1394 - MINI	
J8402	451P246010	JACK-1394 - MINI	
J8403	451P246010	JACK-1394 - MINI	
J8B00	452C300010	CONNECTOR-DSUB-15P	
J8E00	452C385010	CONNECTOR-DVI	
K9A10	287P111030	RELAY-POWER - LKS1AF-12V	
K9A20	287P111030	RELAY-POWER - LKS1AF-12V	
K9A21	287P111030	RELAY-POWER - LKS1AF-12V	
PC9A10	268P058020	PHOTO-COUPLER - ON3131-R/ON3161-R	
PC9A21	268P058020	PHOTO-COUPLER - ON3131-R/ON3161-R	
PJ2000	440C440010	PIN-JACK-BOARD	abde
PJ2000	440C449010	PIN-JACK-BOARD	cf
PJ2J01	440C431030	PIN-JACK-BOARD	abde
PJ2J01	440C434040	PIN-JACK-BOARD	cf
PJ2J02	440C430010	PIN-JACK-BOARD	abde
PJ2J02	440C434020	PIN-JACK-BOARD	cf
PJ2J03	440C430040	PIN-JACK-BOARD	abde
PJ2J03	440C433020	PIN-JACK-BOARD	cf
PJ2J04	440C430040	PIN-JACK-BOARD	abde
PJ2J04	440C433020	PIN-JACK-BOARD	cf
PJ2J05	440C430060	PIN-JACK-BOARD	abde
PJ2J05	440C433010	PIN JACK BOARD	cf
PJ2J06	440C430040	PIN-JACK-BOARD	abde
PJ2J06	440C433020	PIN-JACK-BOARD	cf
PJ2J07	440C430030	PIN-JACK-BOARD	abde
PJ2J07	440C433040	PIN-JACK-BOARD	cf
PJ2J11	440C231010	PIN-JACK-BOARD-3P	abde
PJ2J11	440C436050	PIN-JACK-BOARD-3P-1S	cf
PJ2L08	440C430050	PIN-JACK-BOARD	abde
PJ2L08	440C433030	PIN-JACK-BOARD	cf
PJ7C01	451C129010	JACK-MINI - AV NET/IR BLAST	
PJ7C02	451C268010	JACK MICROPHONE 1P	
PJ8H00	440C440010	PIN-JACK-BOARD	abde
PJ8H00	440C449010	PIN-JACK-BOARD	cf
TU8700	295P490040	TUNER-TV - ENA46914P4A	
TU8701	295P523020	TUNER-NTSC/ATSC	
TU8702	295P524010	TUNER-OOB	
X2K51	285P426020	QTZ-CRYST - 4.000000MHZ	
X2M47	285P426040	QTZ-CRYST - 20.000MHZ	
X7A13	285P434020	QTZ-CRYST - 16.000MHZ	

Ref #	Part #	Part Name & Description	[#]
X7J10	285P335050	QTZ-CRYST - 80.000MHZ	
X7P09	285P434010	QTZ-CRYST - 8.000MHZ	
X8001	285P441040	QTZ-CRYST - 26.1621MHZ	
X8301	285P434020	QTZ-CRYST - 16.000MHZ	
X8302	285P441030	QTZ-CRYST - 14.31818MHZ	ad
X8302	285P441030	QTZ-CRYST - 14.31818MHZ	abde
X8303	285P413010	QTZ-CRYST - 18.432MHZ	
X8401	285P431020	QTZ-CRYST - 54.000MHZ	
X8402	285P410020	QTZ-CRYST - 24.576MHZ	
X8613	285P434020	QTZ-CRYST - 16.000MHZ	
X8701	285P413010	QTZ-CRYST - 18.432MHZ	
X8800	285P453010	QTZ-CRYST - 25.140MHZ	
X8A00	285P387010	QTZ-CRYST - 24.576MHZ	cf
X8A01	285P446010	QTZ-CRYST - 83.33MHZ	cf
X8C01	285P391030	OSC - 74.175824MHZ	
X8C02	285P391030	OSC - 74.175824MHZ	
X8F01	285P436010	QTZ-CRYST - 20.000MHZ	
X8G00	285P426030	QTZ-CRYST - 10.000MHZ	bcef
X8G01	285P426010	QTZ-CRYST - 3.579545MHZ	bcef
X8H12	299P259010	OSC-CERAMIC - CSALA2M6964ZF01-B0	
X8H14	285P426020	QTZ-CRYST - 4.000000MHZ	bcef
X8H14	285P426020	QTZ-CRYST - 4.000000MHZ	
X8H26	285P426010	QTZ-CRYST - 3.579545MHZ	bcef
X8H26	285P426010	QTZ-CRYST - 3.579545MHZ	
X8T12	299P259010	OSC-CERAMIC - CSALA2M6964ZF01-B0	
X8T14	285P426020	QTZ-CRYST - 4.000000MHZ	bcef
X8T14	285P426020	QTZ-CRYST - 4.000000MHZ	
X8T26	285P426010	QTZ-CRYST - 3.579545MHZ	bcef
X8T26	285P426010	QTZ-CRYST - 3.579545MHZ	
Z7K01	938P005010	UNIT-PREAMP	
Z81A1	283P128050	FUSE-CHIP - AC125/100V 4A	
Z81A2	283P128050	FUSE-CHIP - AC125/100V 4A	
Z81A3	283P128050	FUSE-CHIP - AC125/100V 4A	
Z81A4	283P128050	FUSE-CHIP - AC125/100V 4A	
PRINTED CIRCUIT BOARDS			
299P271010	MEMORY-CARD-READER-PWB		
930B921001	ASSY-PWB-POWER		cf
930B921002	ASSY-PWB-POWER		abde
930B923002	ASSY-PWB-SIGNAL		abde
930B923003	ASSY-PWB-SIGNAL		cf
930B924001	ASSY-PWB-FMT		cf
930B924002	ASSY-PWB-FMT		abde
934C116001	ASSY-PWB-DM		cf
934C116002	ASSY-PWB-DM		abde
934C117001	ASSY-PWB-TERMINAL-1		abde
934C117002	ASSY-PWB-TERMINAL-1		cf
934C118001	ASSY-PWB-TERMINAL-2		
934C121001	ASSY-PWB-E2P		
935D774001	ASSY-PWB-PREAMP		
935D775001	ASSY-PWB-FRONT		abde
935D776001	ASSY-PWB-CONTROL		
935D779001	ASSY-PWB-FRONT2		cf
935D806001	ASSY-PWB-SPEAKER-R		
935D807001	ASSY-PWB-SPEAKER-L		
955B298001	ASSY-CHASSIS		abde
955B298003	ASSY-CHASSIS		cf
955C278001	ASSY-PWB-FAN-CONT		

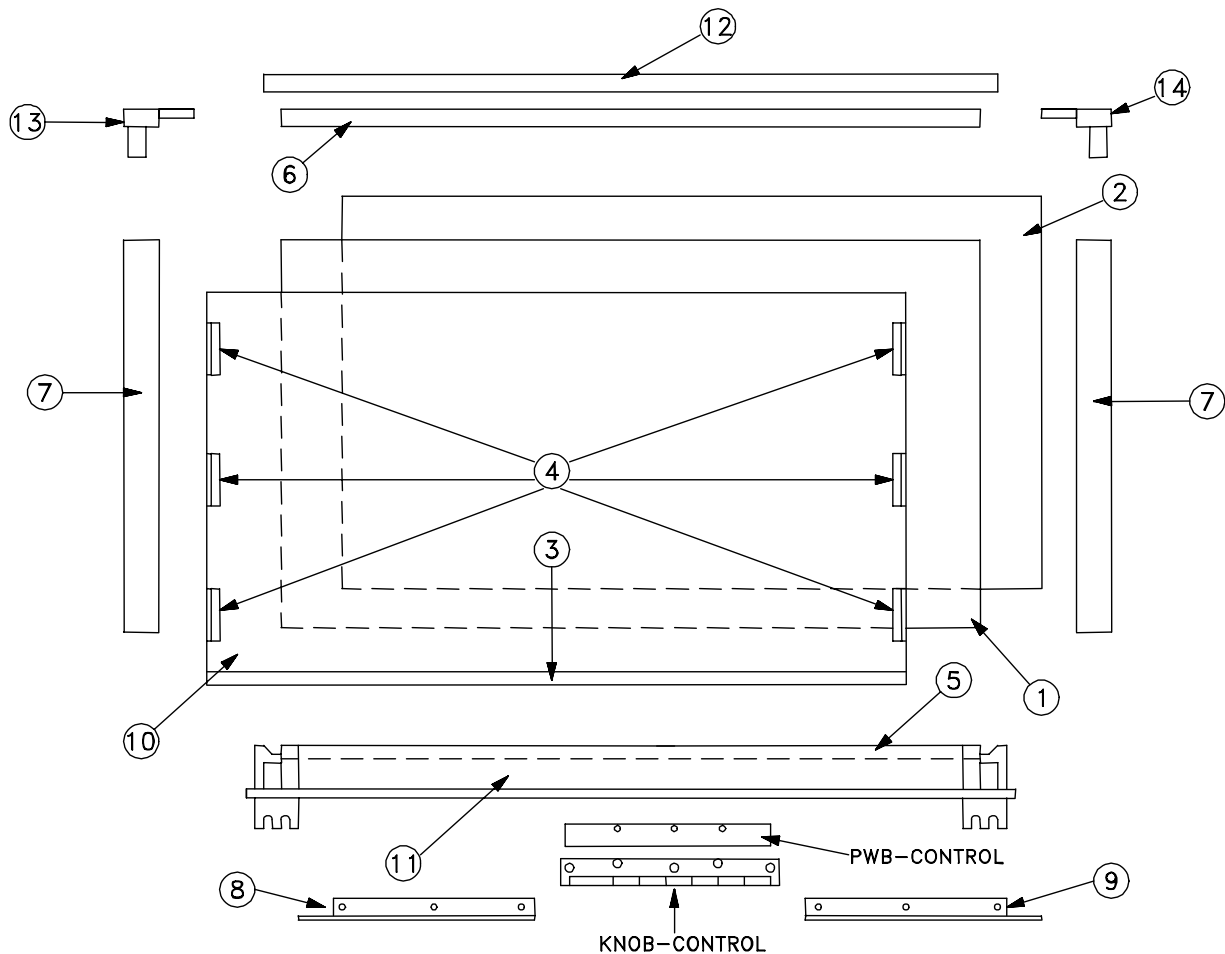
[#] Model Legend: [a] WD-52525, [b] WD-52725, [c] WD-52825, [d] WD-62525, [e] WD-62725, [f] WD-62825

Ref #	Part #	Part Name & Description	[#]	Ref #	Part #	Part Name & Description	[#]
COSMETIC PARTS							
	706C032010	BADGE - BRAND	cf				
	716C044010	BADGE - BRAND					
	760A014010	DOOR - FRONT	c				
	760A015010	DOOR - FRONT	f				
	761A233010	GRILLE - SPEAKER	a				
	761A234010	GRILLE - SPEAKER	b				
	761A239010	GRILLE - SPEAKER	d				
	761A240010	GRILLE - SPEAKER	e				
	761A247010	GRILLE - BASE	c				
	761A248010	GRILLE - BASE	f				
	761A250010	DOOR - REAR	c				
	761A251010	DOOR - REAR	f				
	761B411010	GRILLE - SPEAKER - RIGHT	c				
	761B411020	GRILLE - SPEAKER - LEFT	c				
	761B412010	GRILLE - SPEAKER - RIGHT	f				
	761B412020	GRILLE - SPEAKER - LEFT	f				
	775B141040	NAME-PLATE - WD-52525	a				
	775B141050	NAME-PLATE - WD-62725	d				
	775B141060	NAME-PLATE - WD-52725	b				
	775B141070	NAME-PLATE - WD-62725	e				
	775B141080	NAME-PLATE - WD-52825	c				
	775B141090	NAME-PLATE - WD-62825	f				
ACCESSORIES							
	242D525010	CABLE - AUDIO					
	246C351050	CORD-AC - POWER					
	290P123010	REMOTE-CONTROL - V25++/V26					
	852C327010	GUIDE - QR - V26	abde				
	852C329010	GUIDE - QR - V26++	cf				
	871D407010	GUIDE - OWNER - V26	abde				
	871D409010	GUIDE - OWNER - V26++	cf				

[#] Model Legend: [a] WD-52525, [b] WD-52725, [c] WD-52825, [d] WD-62525, [e] WD-62725, [f] WD-62825

Ref #	Part #	Part Name & Description	[#]	Ref #	Part #	Part Name & Description	[#]
SCREEN ASSEMBLY PARTS							
WD-52525				WD-52725			
(1)	491P178020	SCREEN - LENTICULAR	abc	(1)	491P178020	SCREEN - LENTICULAR	abc
(2)	491P177020	LENS - FRESNEL	abc	(2)	491P177020	LENS - FRESNEL	abc
(3)	622C211010	CLIP DS - BOTTOM	abc	(3)	622C211010	CLIP DS - BOTTOM	abc
(4)	622C137010	CLIP DS - SIDE	abcdef	(4)	622C137010	CLIP DS - SIDE	abcdef
(5)	623D174030	SCREEN - HOLDER	abc	(5)	623D174030	SCREEN - HOLDER	abc
(6)	701B499030	SCREEN - FRAME - TOP	abc	(6)	701B499030	SCREEN - FRAME - TOP	abc
(7)	701B500030	SCREEN - FRAME - SIDE	ab	(7)	701B500030	SCREEN - FRAME - SIDE	ab
(8)	704B206010	SCREEN - TRIM - LEFT	abc	(8)	704B206010	SCREEN - TRIM - LEFT	abc
(9)	704B206020	SCREEN - TRIM - RIGHT	abc	(9)	704B206020	SCREEN - TRIM - RIGHT	abc
(10)	KIT-WD52525 DS	DIAMOND - SHIELD	a	(10)	KIT-WD52725 DS	DIAMOND - SHIELD - AR	
(11)	761A232010	SCREEN - FRAME - BOTTOM	ab	(11)	761A232010	SCREEN - FRAME - BOTTOM	ab
(12)	761A238010	SCREEN - COVER-FRAME - TOP	ab	(12)	761A238010	SCREEN - COVER-FRAME - TOP	ab
(13)	768C082010	SCREEN-CAP-CORNER - LEFT	abcdef	(13)	768C082010	SCREEN-CAP-CORNER - LEFT	abcdef
(14)	768C082020	SCREEN-CAP-CORNER - RIGHT	abcdef	(14)	768C082020	SCREEN-CAP-CORNER - RIGHT	abcdef

Note: Item 10, DiamondShield, includes the Logo, Side and Bottom Clips (Items 3 & 4)



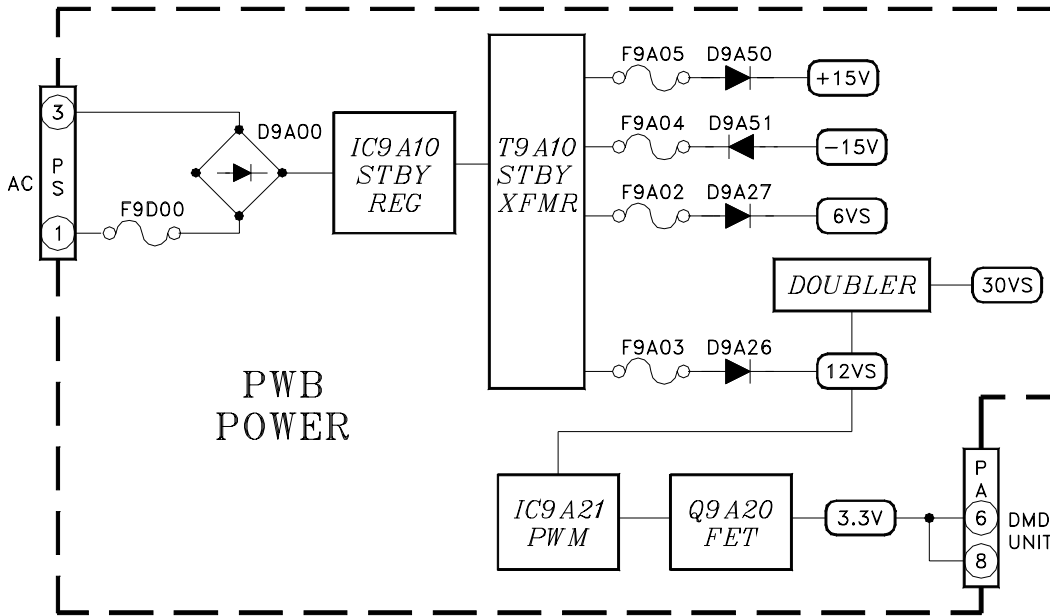
MODEL: WD-52525 / WD-52725 / WD-52825 / WD-62525 / WD-62725 / WD-62825

[#] Model Legend: [a] WD-52525, [b] WD-52725, [c] WD-52825, [d] WD-62525, [e] WD-62725, [f] WD-62825

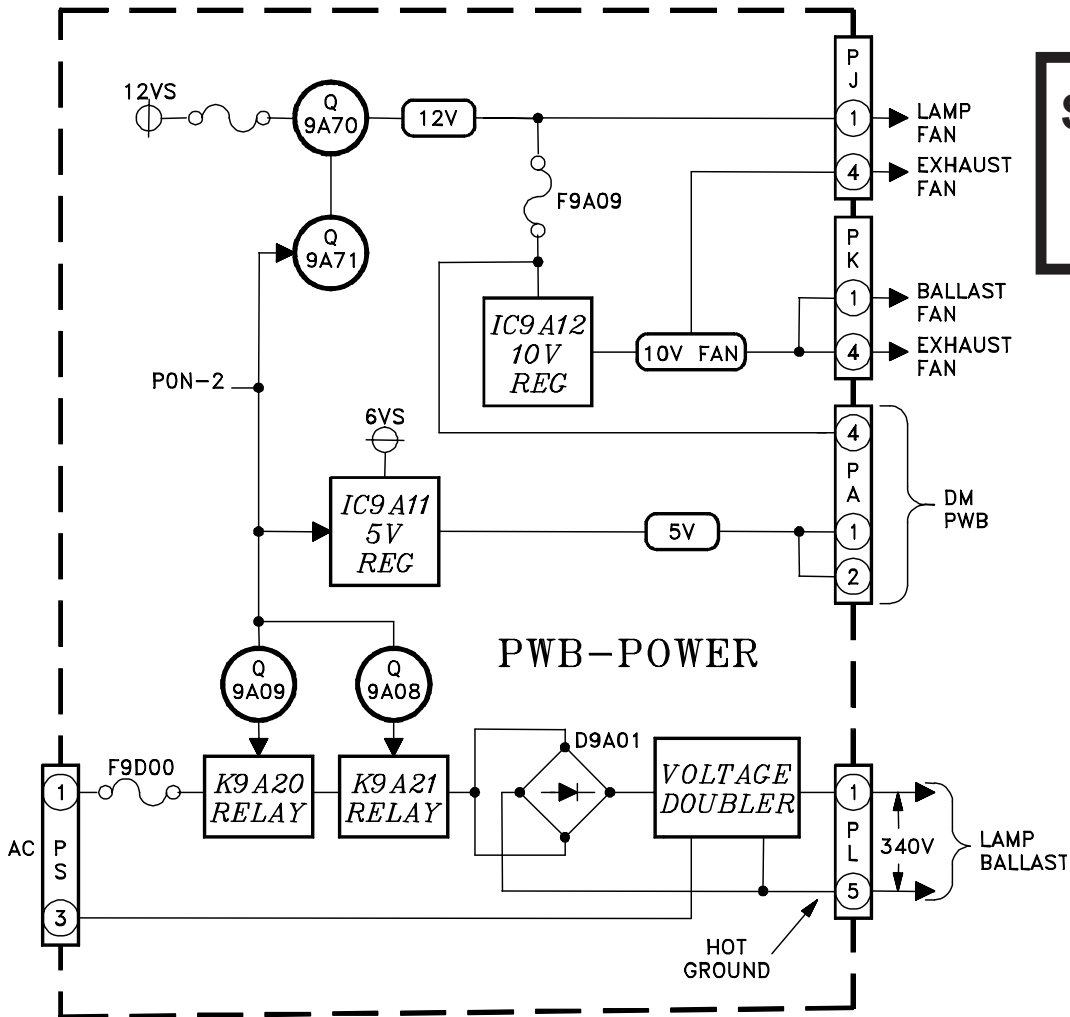
Ref #	Part #	Part Name & Description	[#]	Ref #	Part #	Part Name & Description	[#]
WD-52825				WD-62725			
(1)	491P178020	SCREEN - LENTICULAR	abc	(1)	491P176020	SCREEN - LENTICULAR	def
(2)	491P177020	LENS - FRESNEL	abc	(2)	491P175020	LENS - FRESNEL	def
(3)	622C211010	CLIP DS - BOTTOM	abc	(3)	622C211020	CLIP DS - BOTTOM	def
(4)	622C137010	CLIP DS - SIDE	abcdef	(4)	622C137010	CLIP DS - SIDE	abcdef
(5)	623D174030	SCREEN - HOLDER	abc	(5)	623D174040	SCREEN - HOLDER	def
(6)	701B499030	SCREEN - FRAME - TOP	abc	(6)	701B499040	SCREEN - FRAME - TOP	def
(7)	701B500070	SCREEN - FRAME - SIDE	c	(7)	701B500040	SCREEN - FRAME - SIDE	de
(8)	704B206010	SCREEN - TRIM - LEFT	abc	(8)	704B208010	SCREEN - TRIM - LEFT	def
(9)	704B206020	SCREEN - TRIM - RIGHT	abc	(9)	704B208020	SCREEN - TRIM - RIGHT	def
(10)	KIT-WD52825 DS	DIAMOND - SHIELD - AR	c	(10)	KIT-WD62725 DS	DIAMOND - SHIELD - AR	e
(11)	761A232020	SCREEN - FRAME - BOTTOM	c	(11)	761A242010	SCREEN - FRAME - BOTTOM	de
(12)	761A238020	SCREEN-COVER-FRAME - TOP	c	(12)	761A244010	SCREEN-COVER-FRAME - TOP	de
(13)	768C082010	SCREEN-CAP-CORNER - LEFT	abcdef	(13)	768C082010	SCREEN-CAP-CORNER - LEFT	abcdef
(14)	768C082020	SCREEN-CAP-CORNER - RIGHT	abcdef	(14)	768C082020	SCREEN-CAP-CORNER - RIGHT	abcdef
WD-62525				WD-62825			
(1)	491P174020	SCREEN - LENTICULAR	def	(1)	491P176020	SCREEN - LENTICULAR	def
(2)	491P173020	LENS - FRESNEL	def	(2)	491P175020	LENS - FRESNEL	def
(3)	622C211020	CLIP DS - BOTTOM	def	(3)	622C211020	CLIP DS - BOTTOM	def
(4)	622C137010	CLIP DS - SIDE	abcdef	(4)	622C137010	CLIP DS - SIDE	abcdef
(5)	623D174040	SCREEN - HOLDER	def	(5)	623D174040	SCREEN - HOLDER	def
(6)	701B499060	SCREEN - FRAME - TOP	d	(6)	701B499040	SCREEN - FRAME - TOP	def
(7)	701B499060	SCREEN - FRAME - SIDE	d	(7)	701B500080	SCREEN - FRAME - SIDE	f
(8)	704B208010	SCREEN - TRIM - LEFT	def	(8)	704B208010	SCREEN - TRIM - LEFT	def
(9)	704B208020	SCREEN - TRIM - RIGHT	def	(9)	704B208020	SCREEN - TRIM - RIGHT	def
(10)	KIT-WD62525 DS	DIAMOND - SHIELD	d	(10)	KIT-WD62825 DS	DIAMOND - SHIELD - AR	f
(11)	761A242010	SCREEN - FRAME - BOTTOM	de	(11)	761A242020	SCREEN - FRAME - BOTTOM	f
(12)	761A244010	SCREEN-COVER-FRAME - TOP	de	(12)	761A244020	SCREEN-COVER-FRAME - TOP	f
(13)	768C082010	SCREEN-CAP-CORNER - LEFT	abcdef	(13)	768C082010	SCREEN-CAP-CORNER - LEFT	abcdef
(14)	768C082020	SCREEN-CAP-CORNER - RIGHT	abcdef	(14)	768C082020	SCREEN-CAP-CORNER - RIGHT	abcdef

Note: Item 10, DiamondShield, includes the Logo, Side and Bottom DS Clips (Items 3 & 4)

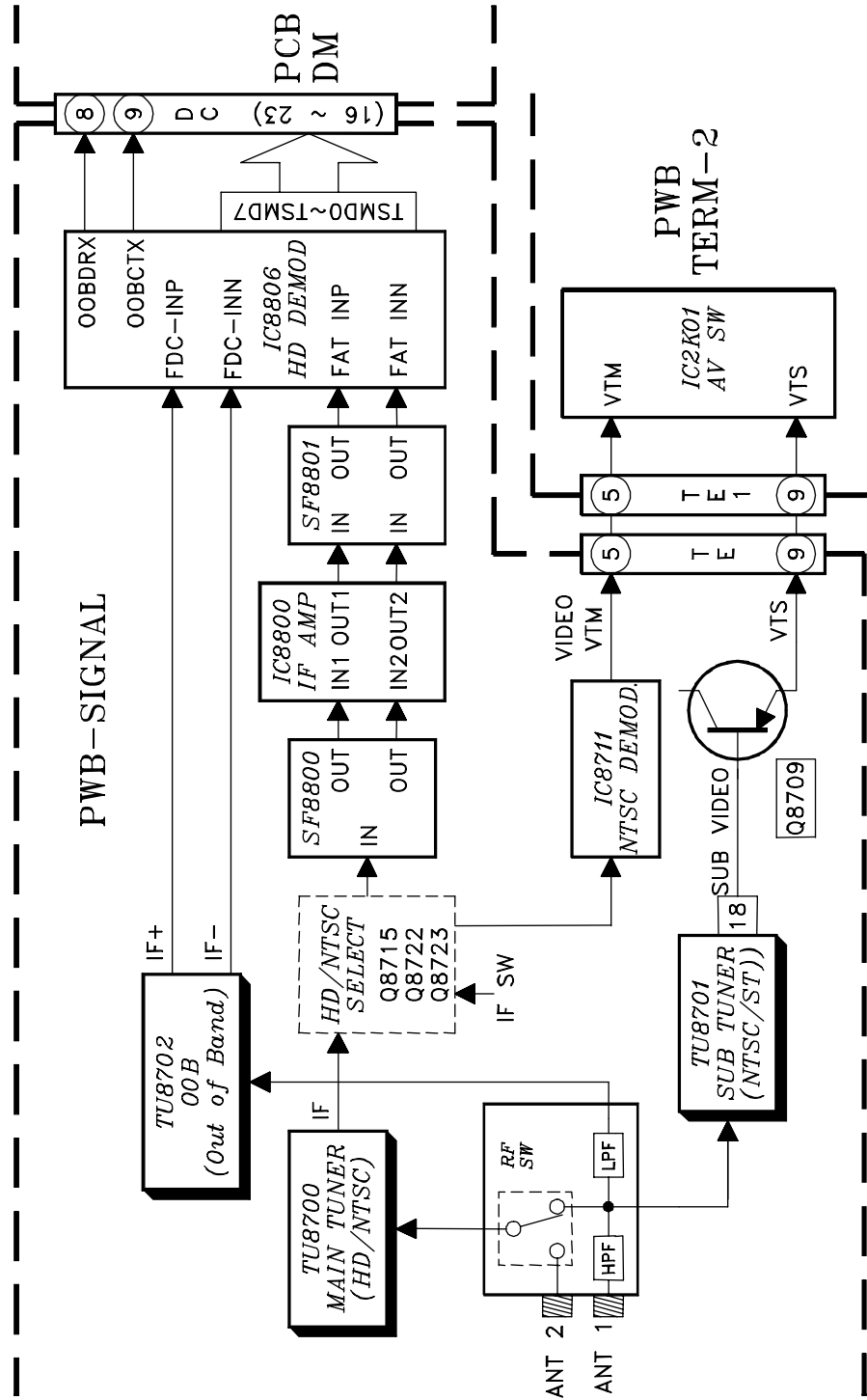
STANDBY POWER SUPPLIES



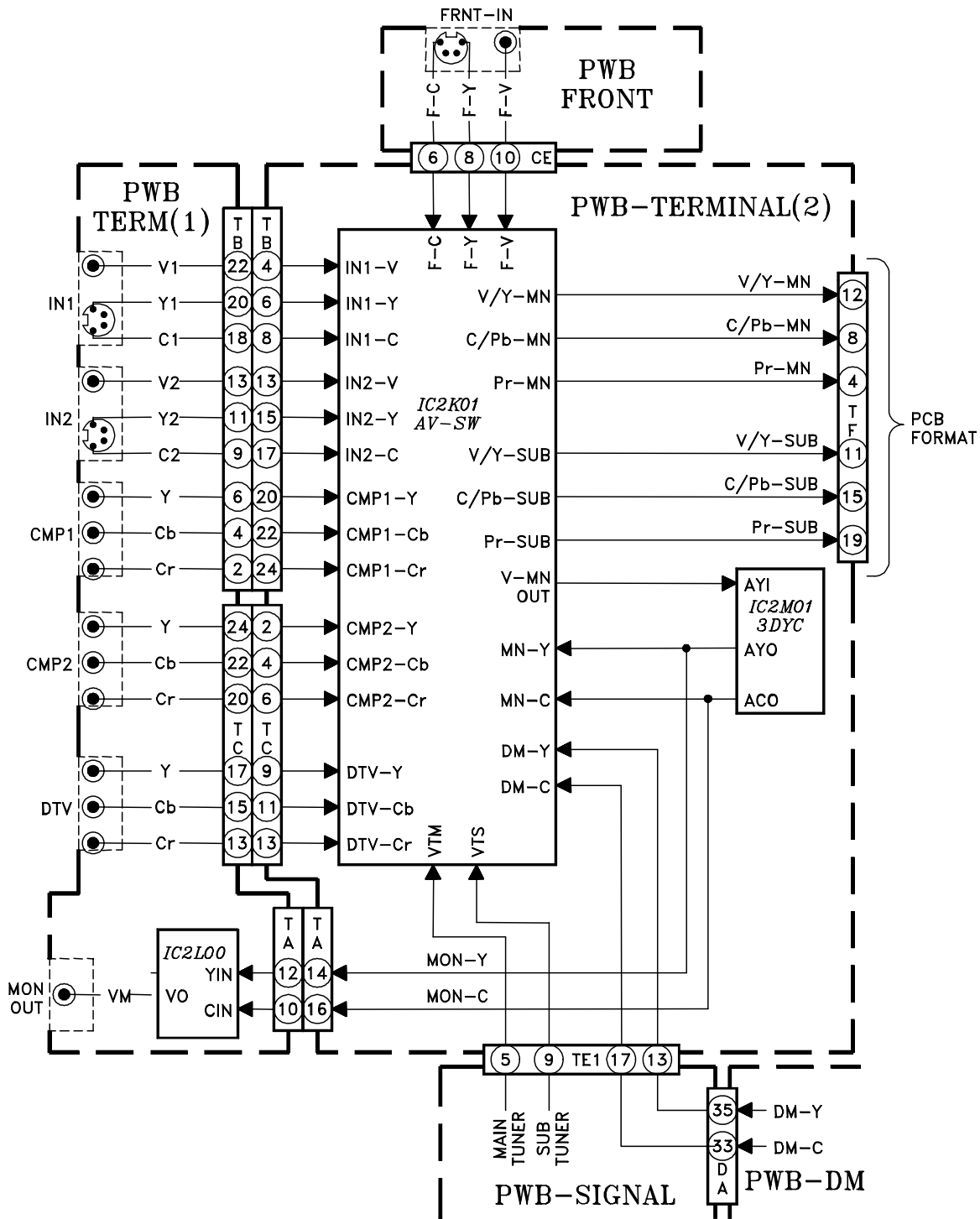
SWITCHED POWER SUPPLIES

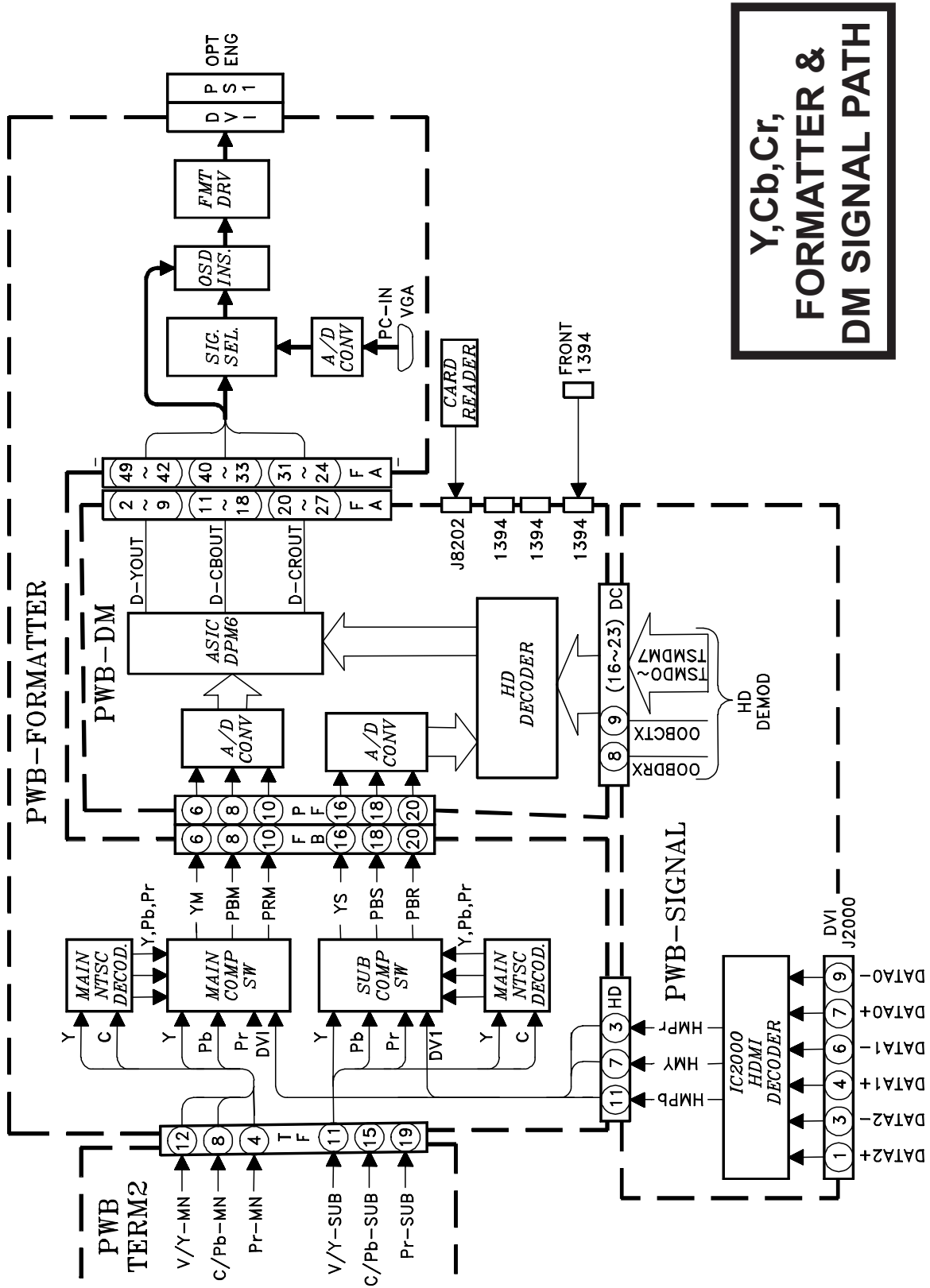


TUNING CIRCUITRY SIGNAL PATH



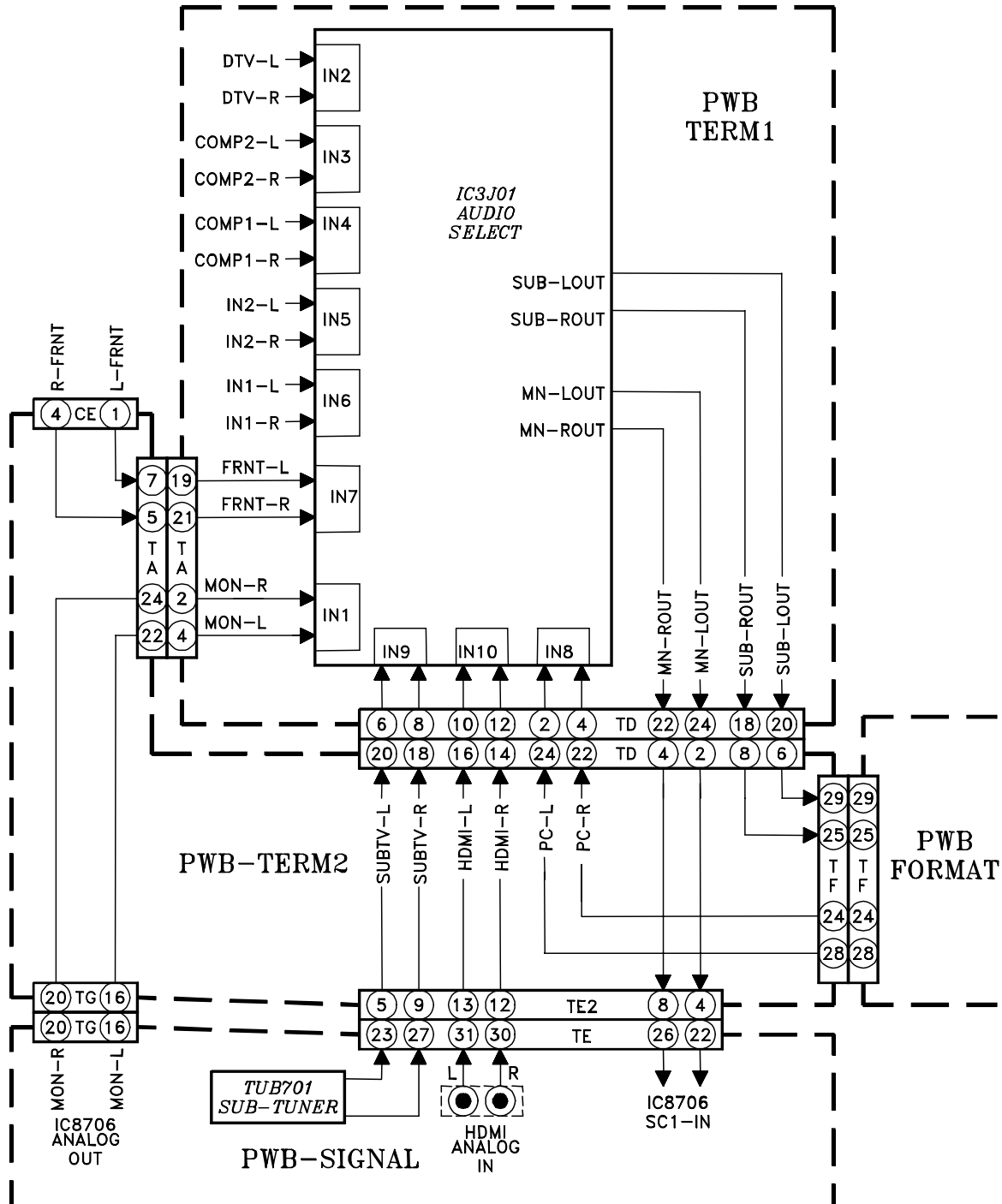
A/V VIDEO SELECT



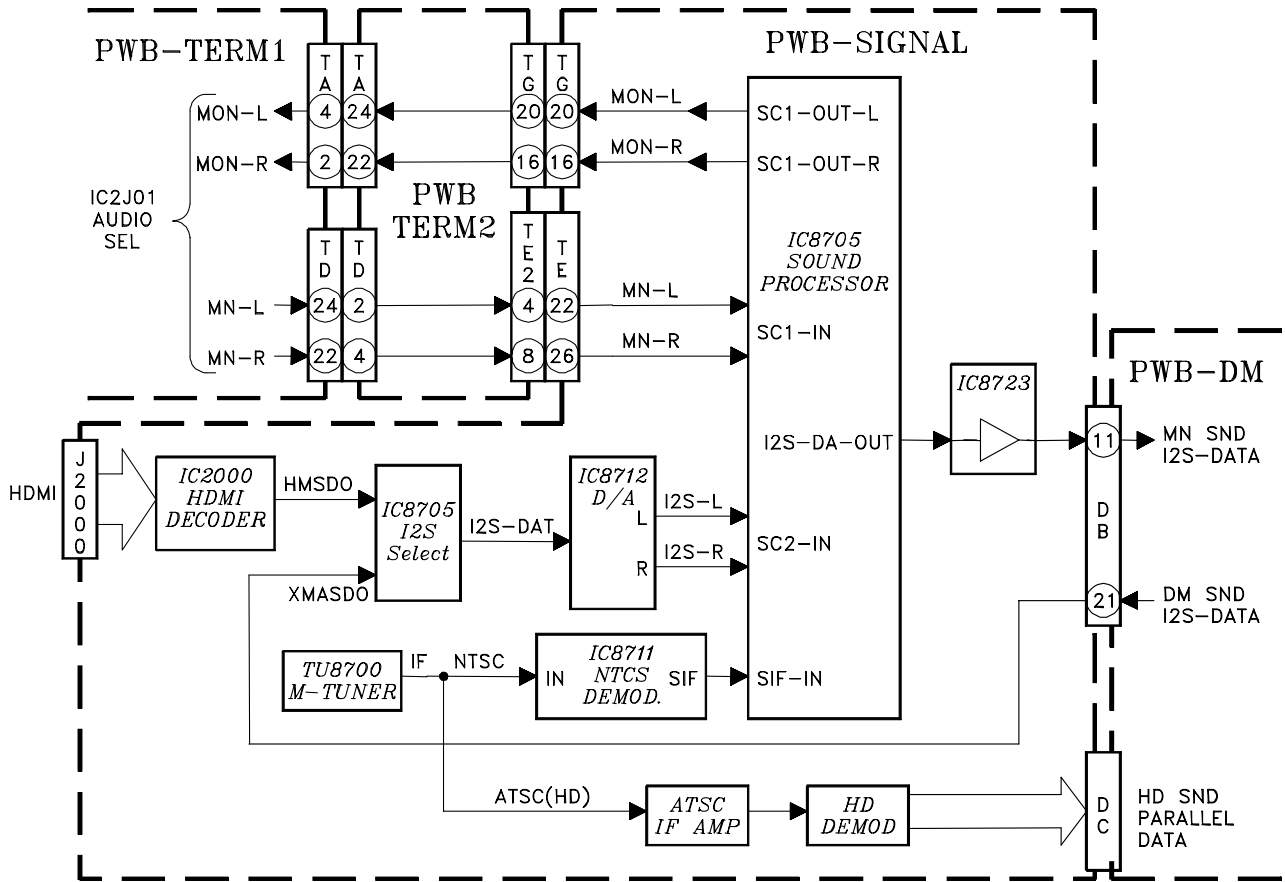


**Y,Cb,Cr,
FORMATTER &
DM SIGNAL PATH**

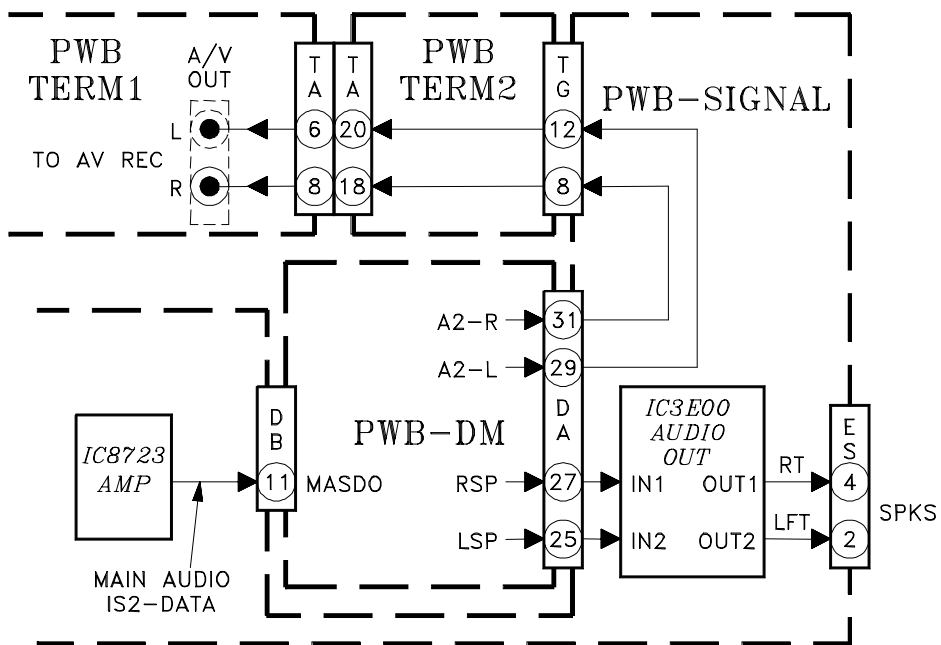
A/V SOUND SELECT



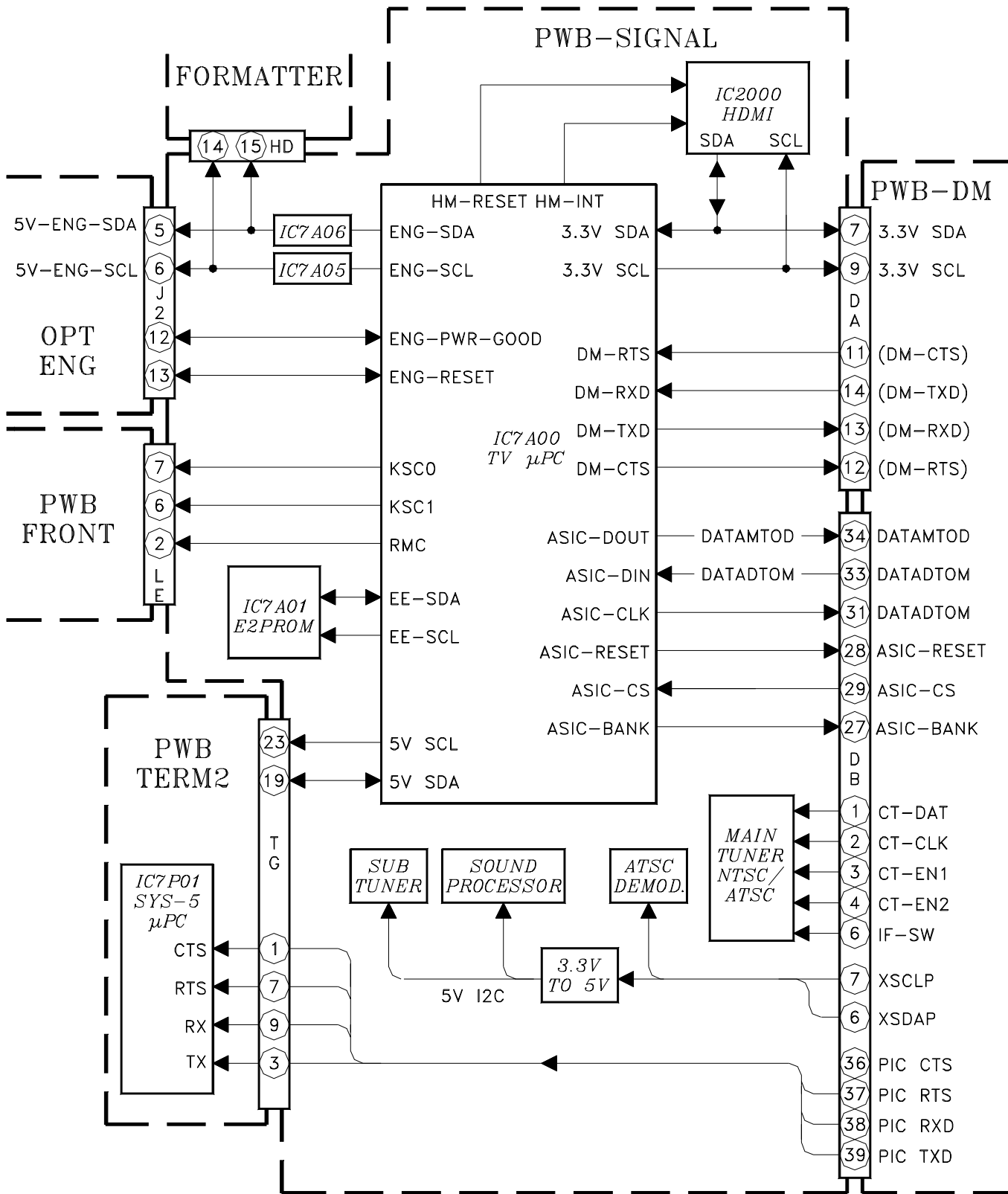
PWB-SIGNAL SOUND SELECT

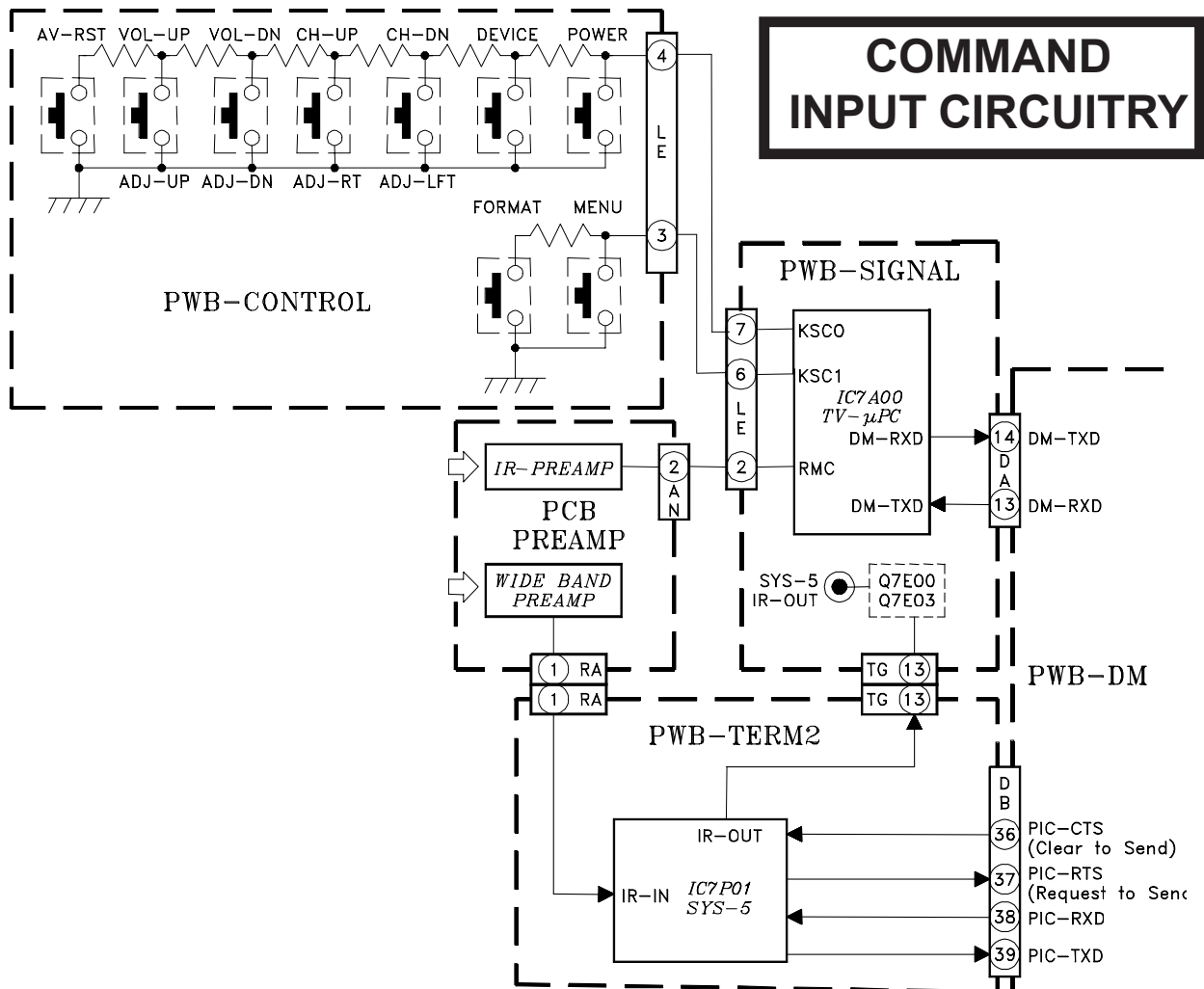
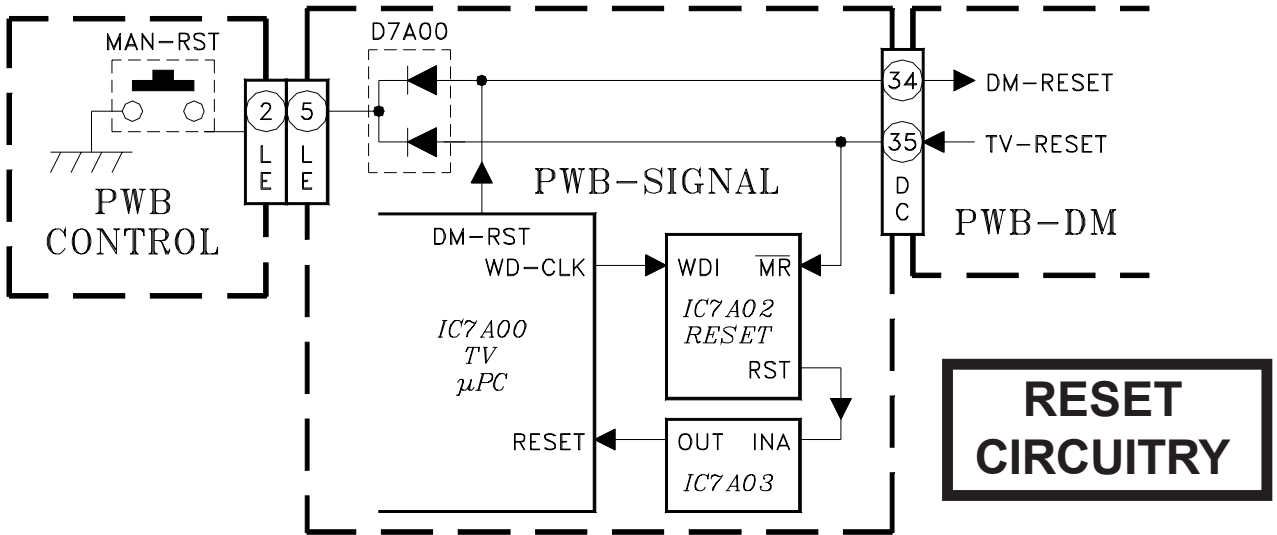


SOUND OUTPUT CIRCUIT

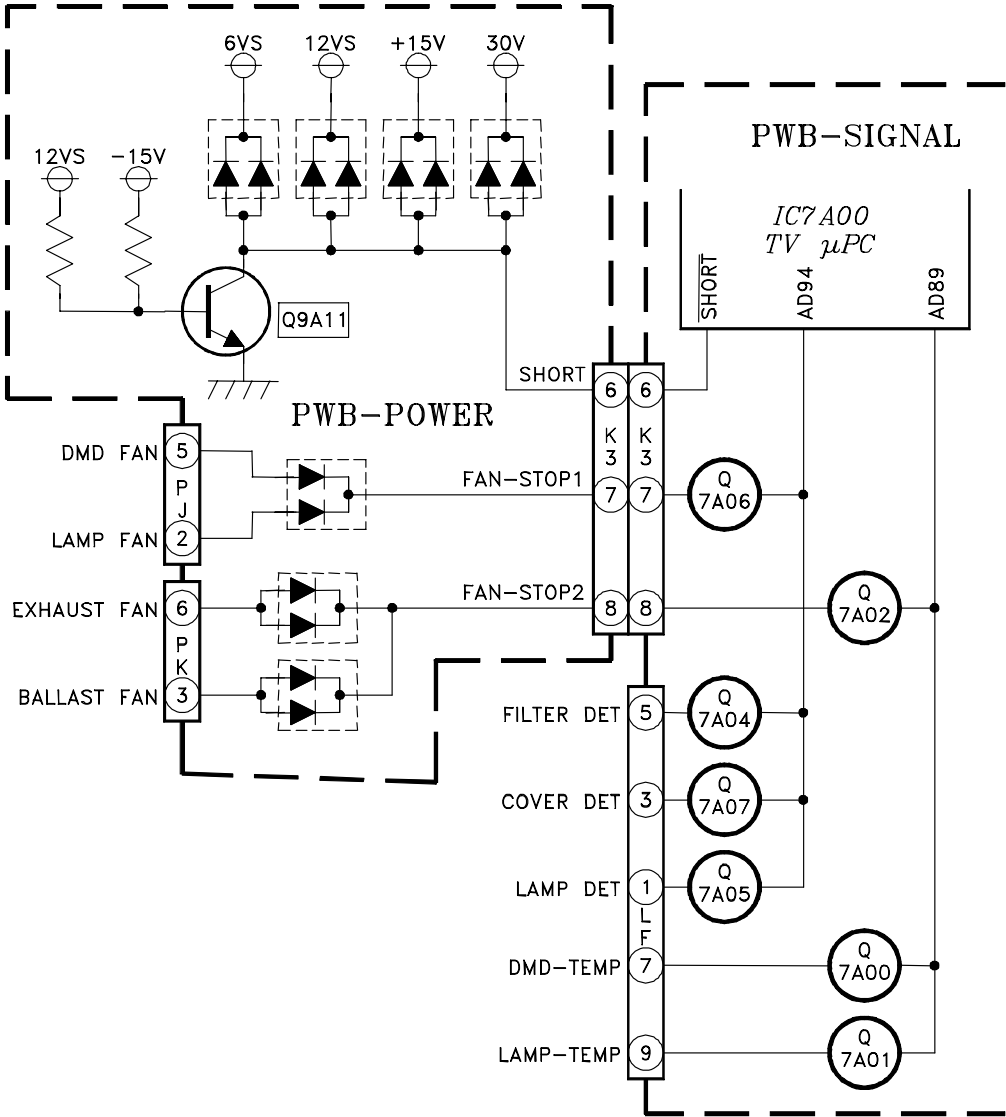


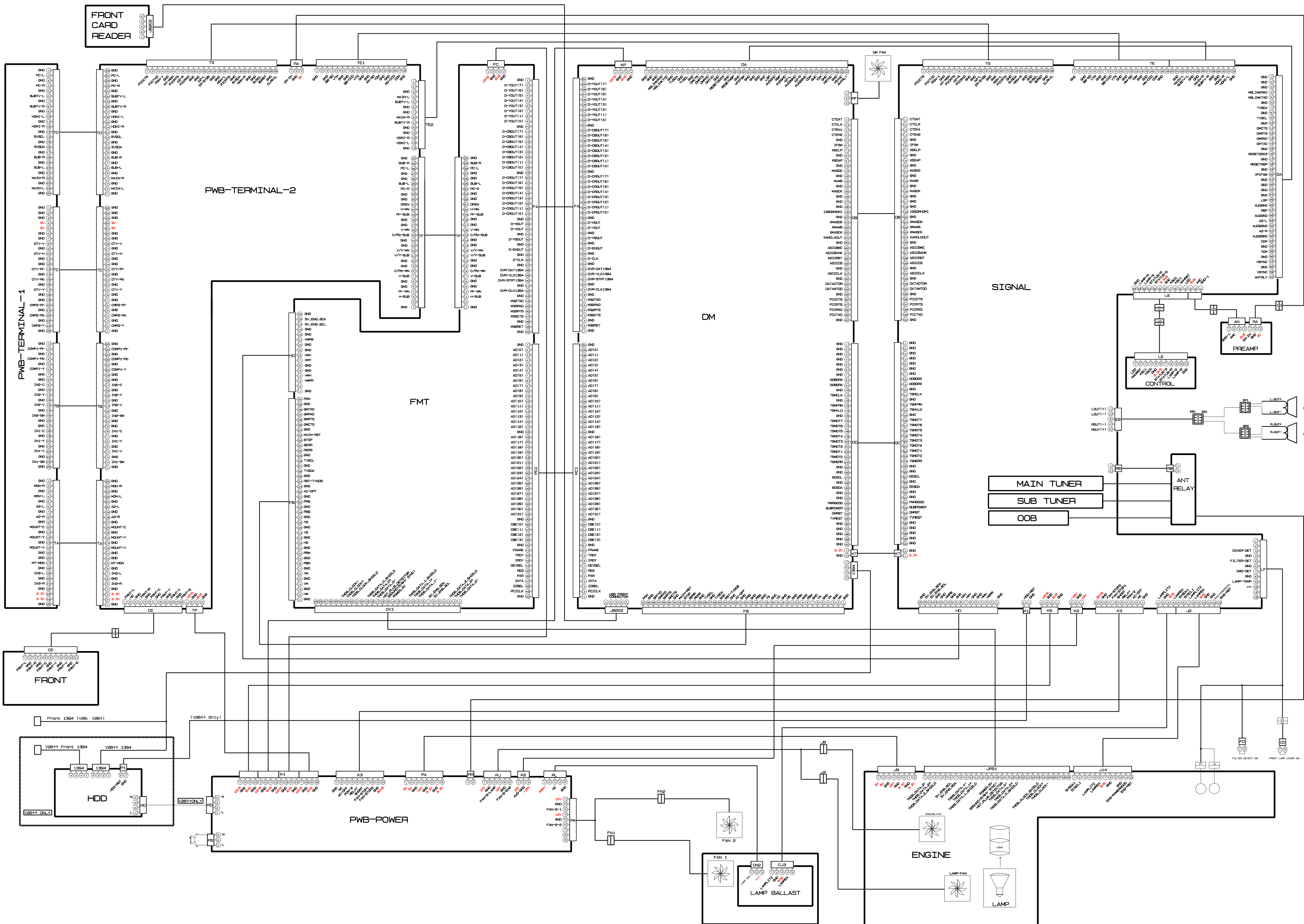
SERIAL CONTROL LINES





STATUS MONITORING CIRCUITRY





- * NOTES**
- DC voltages were measured from points indicated to the circuit ground with a high-Z voltmeter.
 - Wave forms were taken with standard color bar signal.
 - TR13 etc. show test points.
 - CAPACITOR

Value	Not indicated	RF for numbers more than 1	LF for numbers less than 1
Distortion strength	Not indicated	100V	100V
Tolerance	Not indicated	+/- 10% for electrolytic capacitor and 1/2 200	NO tolerance is indicated for electrolytic capacitor and 1/2 200
Type	Parts except for chips	Not indicated	Capacitor
II chips	Not indicated	Not indicated	Capacitor

Value	Not indicated	Ohm	1 000 Ohm	1 000 000 Ohm
Resistor	Not indicated	1/4W or 1/8W	1/4W or 1/8W	1/4W or 1/8W
Type	Parts except for chips	Not indicated	Carbon resistor	Fixed composition resistor
II chips	Not indicated	Not indicated	Carbon resistor	Fixed composition resistor

6. This is a basic schematic diagram. Some parts may be subject to modification according to engineering improvement.

SHADE COMPONENTS HAVE SPECIAL CHARACTERISTICS IMPORTANT TO SAFETY. BEFORE REPLACING ANY OF THESE COMPONENTS, READ CAREFULLY THE PRODUCT SAFETY NOTICE IN THE SERVICE MANUAL. DON'T DEGRADE THE SAFETY OF THE RECEIVERS THROUGH IMPROPER SERVICING.

SERVICE TECHNICIAN WARNING:

X-RADIATION PRECAUTION
 THIS PRODUCT INCLUDES CRITICAL ELECTRICAL AND MECHANICAL PARTS ESSENTIAL FOR X-RADIATION PROTECTION.
 TO AVOID POSSIBLE TO X-RADIATION TAKE RADIATION PROTECTIVE MEASURES FOR REMOVAL, OILING, SERVICING.
 SEE SERVICE INSTRUCTION FOR SPECIFIED REPLACEMENT PARTS AND SERVICE ADJUSTMENTS.