



Philips Domestic Appliances and Personal Care

Service Manual

PRODUCT INFORMATION

- Maximum air displacement : 34 l/sec.
- Maximum vacuum water column : 275 cm
- Power consumption (IEC) 225V : 1200W
- Dust storage capacity : 4 litres
- Cord length (depends on version) : 6 or 8.5 metres
- Filter system (depends on version) : Paper dustbag
: Exhaust air filter
: Motor inlet filter
: or carbon filter
- Dimensions cleaner : 48 x 30 x 25 cm
- Weight without accessories : 6.4 kg
- Noise : 75 dB

OPTIONAL

Cotton dustbag	HR 6935	(4822 480 10072)	
Paper dustbag set	HR 6938	(4822 015 70049)	economy
Paper dustbag set	HR 6938	(4822 015 70057)	hygiene
Hard floor nozzle	HR 6943	(4822 479 20222)	
Carbon inlet filter	HR 6949	(4822 480 20145)	
Active carbon filter set	HR 6968	(items 41 + 42)	
Dust sensor	HR 6953	(4822 452 80167)	
Turbo brush	HR 6988	(4822 479 20196)	
S-class filter	HR 6992	(4822 480 10084)	
S-class filter set	HR 6993	(items 48 + 49)	

ADJUSTING THE PCB ON THE MOTOR TO 220V, 60Hz

1. Make sure that the potentiometer (item 58) is set at **min. position**.
2. Adjust the potentiometer on the PCB (item 44) on the motor to 220V/60Hz. to allow the motor to run smoothly.

Please note: * that the standard setting of the PCB is 230V, 50Hz.
* that there are open-circuit voltages on all wires.

MSH coding :

8838 901 00000 (pearl blue)	8838 907 00000 (pearl blue)
8838 903 00000 (ceram white)	8838 909 00000 (faded blue)
8838 905 00000 (ceram white)	

SERVICE INFORMATION

- To open the appliance, first remove the panel (item 13) with a big screw driver (V) to disconnect the 4 snap locks (the 4 screws of button panel item 39 can be loosed) and then remove the two pedals (items 1 and 14) with a pin (W), max. diameter 2.5 mm.
- Power meter (8838 000 60300) is a commercial item with a fixed air displacement which measures the vacuum of the appliance.
- Component configuration on exploded view may differ in case of specific versions. However, the actual components are distinguished by means of code numbers.
- If a repair has been made, make sure that all functions of the appliance are working correctly.
- The spare parts have been standardized as much as possible.
(x) = standardized spare part in appliance concerned.
x = original spare part in appliance concerned.
- Item 16 Cotton dustbag is used in those countries where paper dustbags are not available.
- Item 17 suction hose must be 460 mm in the x versions and must be shortened to 420 mm in the (x) versions.
- Item 19 wire beam is provided with 4 connecting wires (brown and blue to function in the version HR 8909).
- Item 120 up to and including 137. The assembly of accessories depends on the national version.
- Item 21 is provided with the long cord-winder spring; both long and short cords can be used in combination with this spring.
- To disassemble the cordwinder use TORX screw driver no T15, which is one of a set consisting of T20, T15, T10, T9, T8, T7 and T6 = 4822 395 50145.
- Depending on the original cord, the spare cord must be shortened from 8.5 into 6 metres.
- Item 37 is provided with a control button to activate the microswitch.
- Item 34. Remove the control lever in the versions without microswitch.
- Item 43 air valve opens to cool the motor if the air displacement is too low or if the air flow is blocked.
- All vacuum cleaners can switched on with or without (remote control) hose.

Low voltage version.

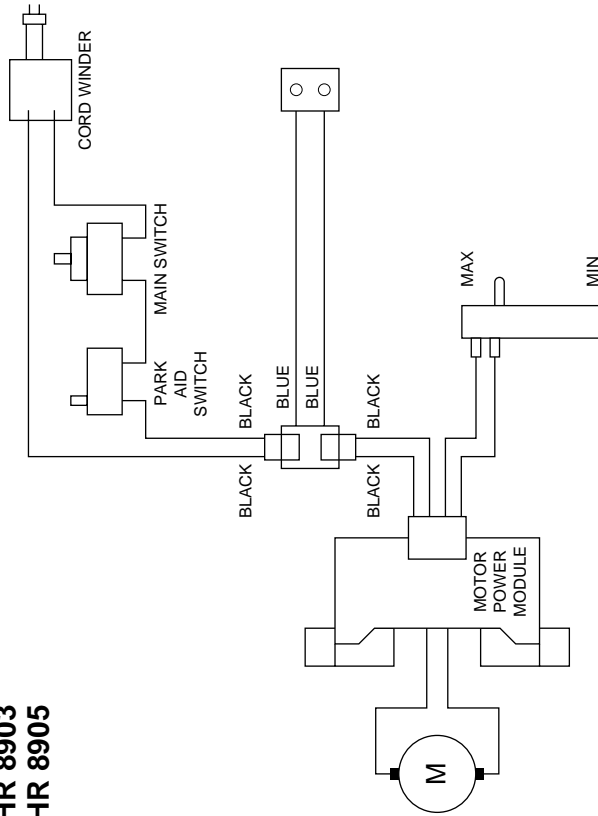
- Item 20 In the dust chamber a hole with a diam. of 6 mm must be drilled, to cool the cord winder via the cord winder cooling hose, (position the hole as is in the dust chamber to be replaced).
- Item 21 In the reel half spring unit a rib must be removed to connect the cooling hose, just as in the replaced unit.

- 4822 530 21034 Cord winder cooling hose (The correct length of the tube without connectors is 84 mm).

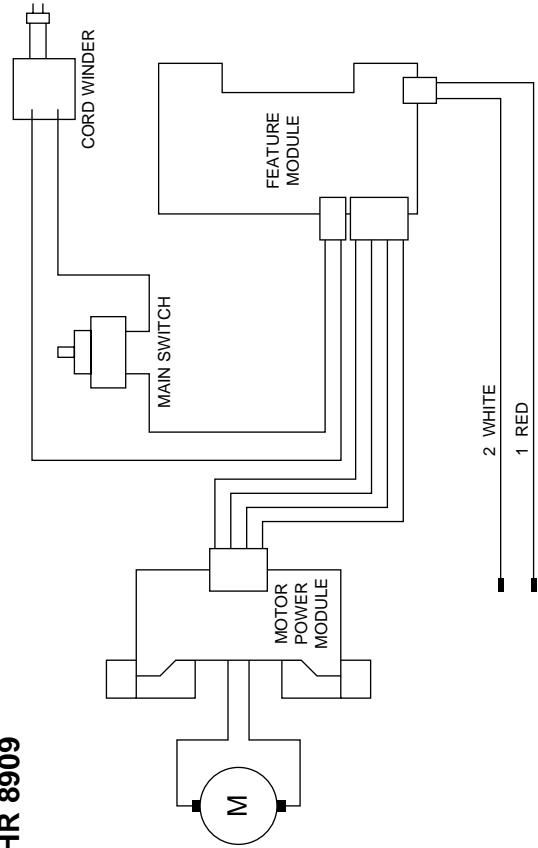
- Item 55 4822 361 10913 Motor 100 - 110 V with warning sign. (Motor metal parts are under live if switched on).



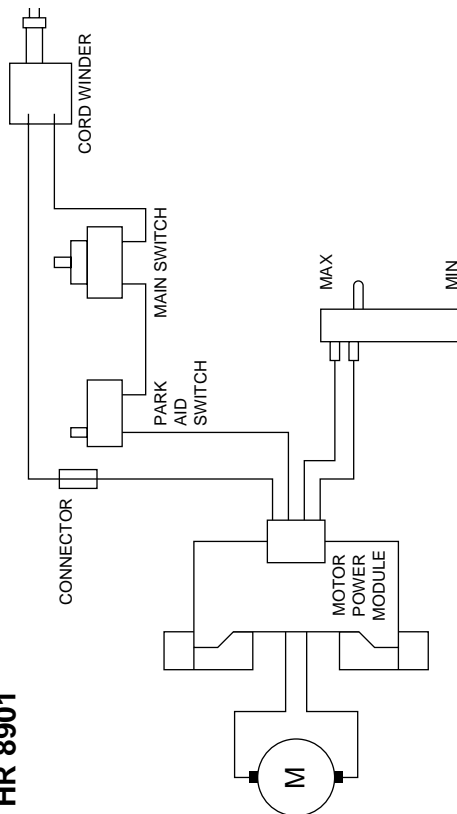
**HR 8903
HR 8905**



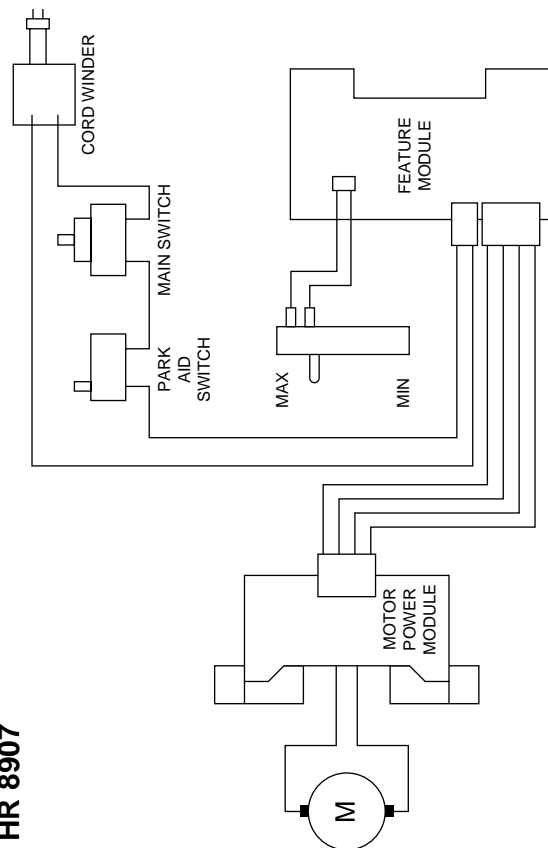
HR 8909



HR 8901



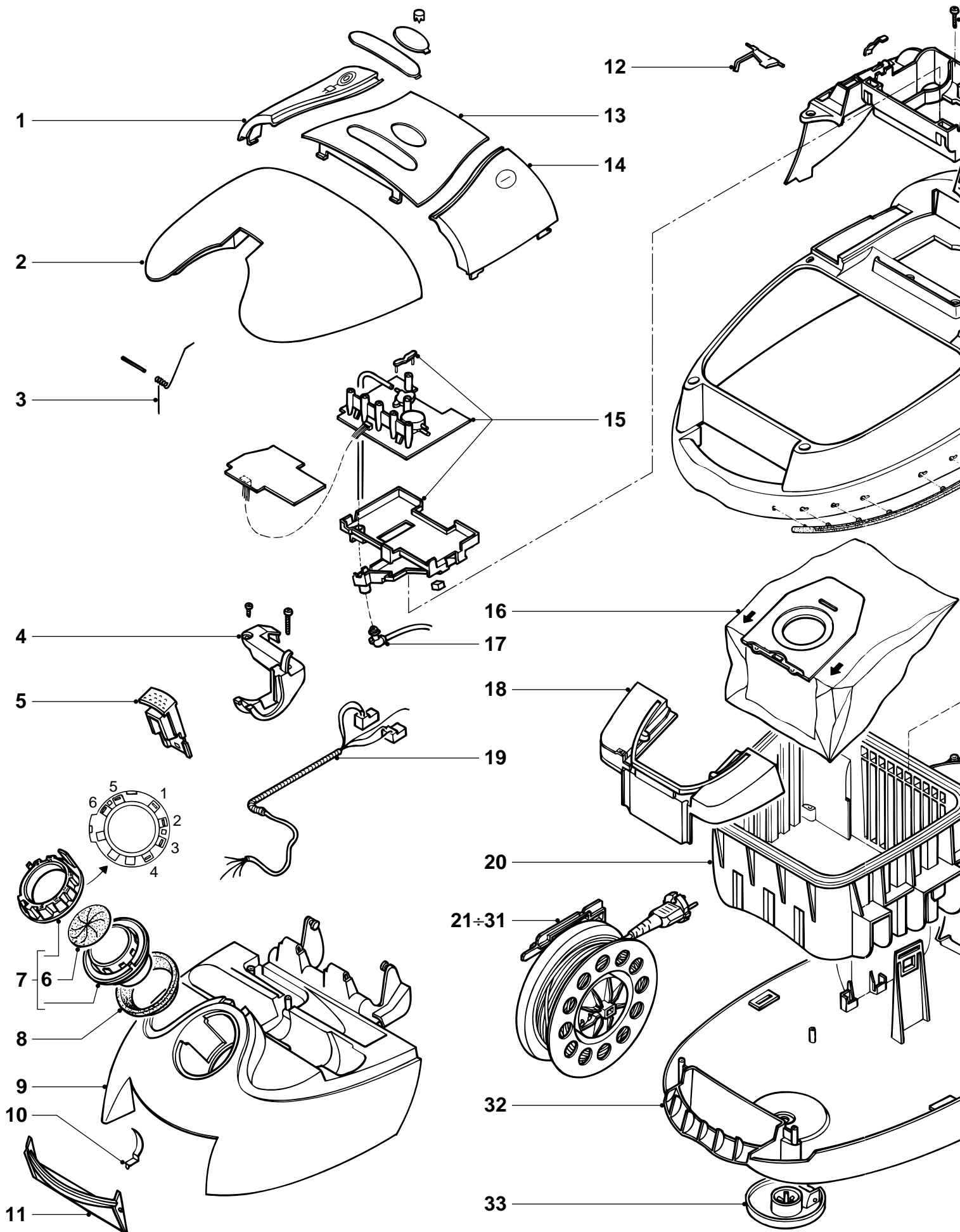
HR 8907

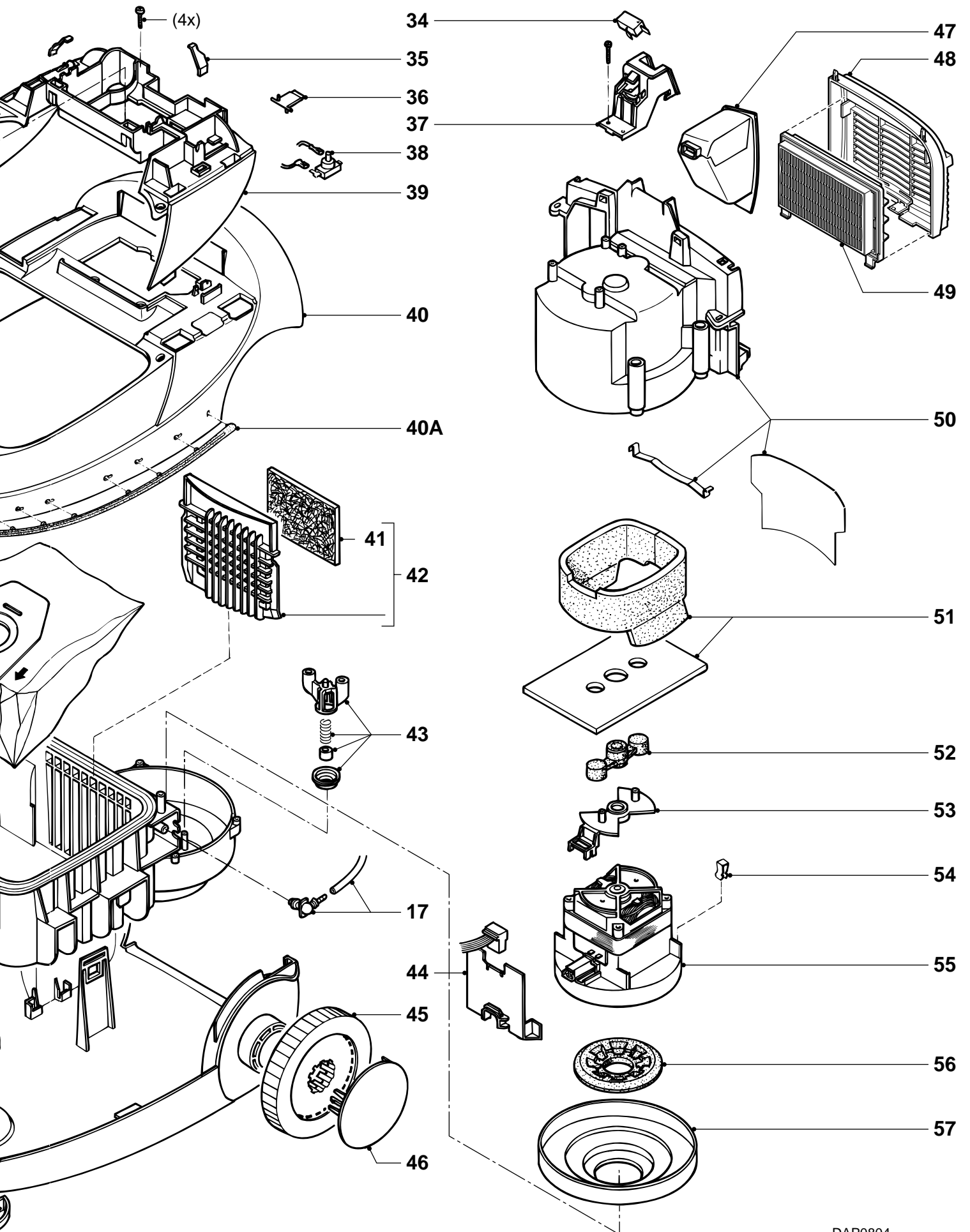


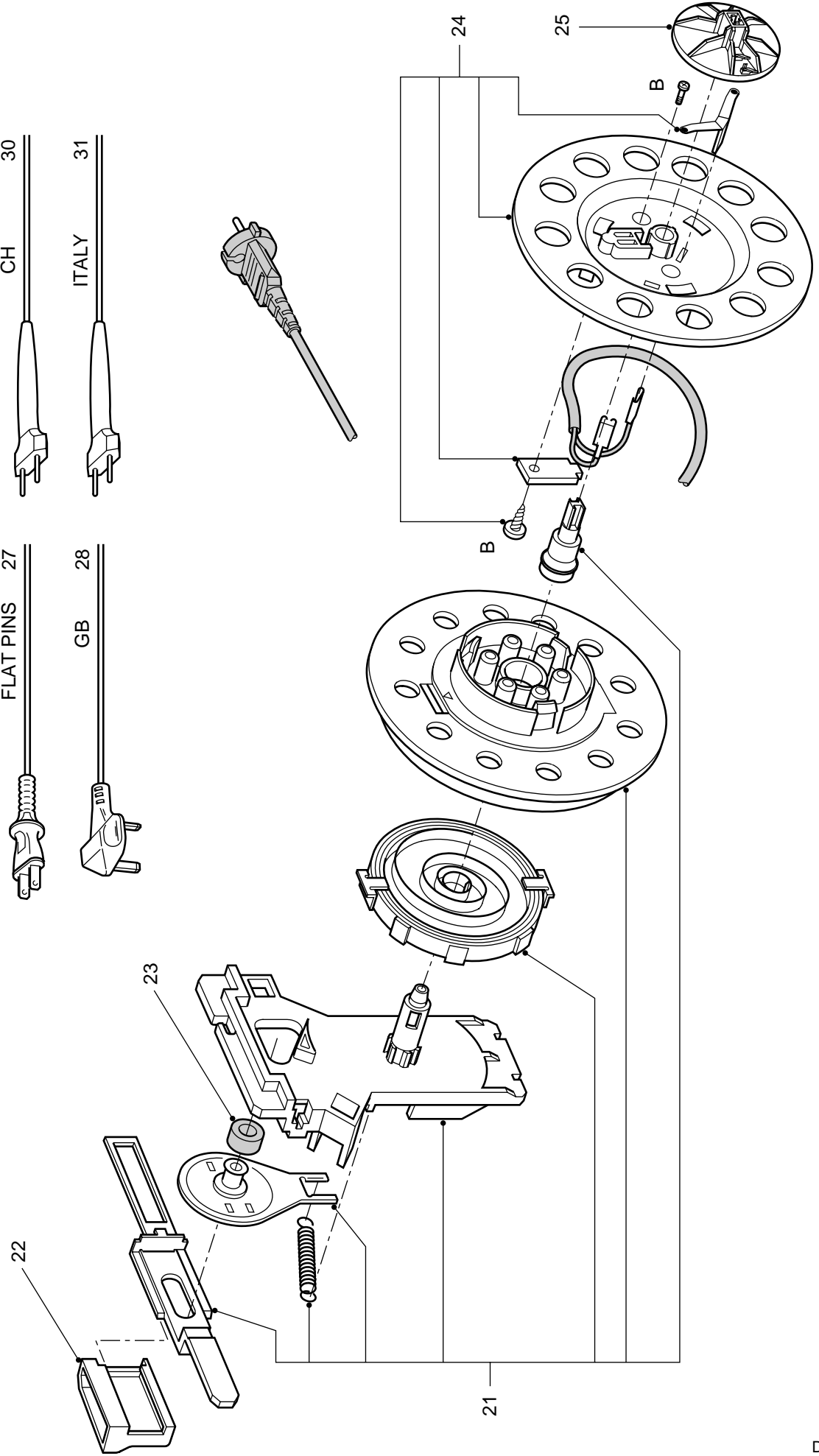
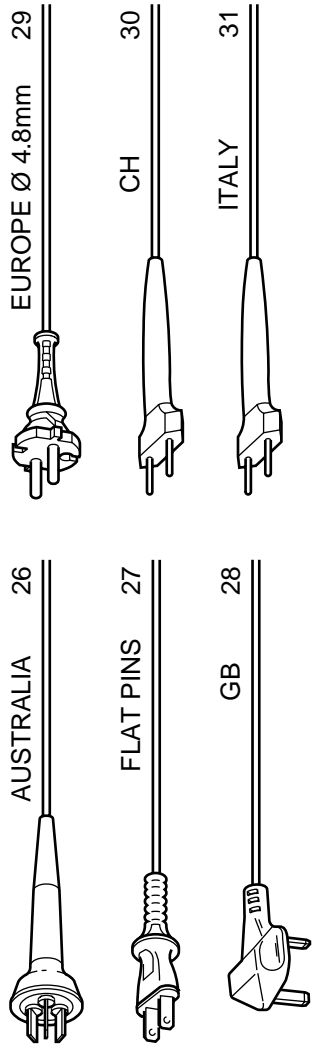
HR 8...		.901	.903	.905	.907	.909	Description
Pos							
1	4822 466 12261	-	-	-	-	X	cord-winder pedal
	4822 466 12258	-	X	X	-	-	cord-winder pedal
	4822 466 12256	X	-	-	X	-	cord-winder pedal
2	4822 442 01914	-	-	-	-	X	accessory cover
	4822 442 01911	-	X	X	-	-	accessory cover
	4822 442 01906	X	-	-	X	-	accessory cover
3	4822 492 11044	X	X	X	X	X	acc. cover spring
4	4822 442 01915	-	-	-	-	X	lead lid
	4822 442 01912	-	X	X	-	-	lead lid
	4822 442 01907	X	-	-	X	-	lead lid
5	4822 417 11264	X	X	X	X	X	acc. cover lock
6	4822 532 12374	X	X	X	X	X	diaphragm valve
7	4822 528 10943	X	X	X	X	X	swivel connector
8	4822 532 70286	X	X	X	X	X	sealing rubber
9	4822 442 01916	-	-	-	-	X	dust cover
	4822 442 01908	X	-	-	X	-	dust cover
	4822 442 01913	-	X	X	-	-	dust cover
10	4822 492 11045	X	X	X	X	X	dust-cover spring
11	4822 460 11148	-	-	-	-	X	dust-cover snaplock
	4822 460 11146	X	-	-	X	-	dust-cover snaplock
	4822 460 11147	-	X	X	-	-	dust-cover snaplock
12	4822 402 10108	X	X	X	X	X	cord-winder lever
13	4322 009 07200	X	-	-	-	-	version panel
	4322 009 07210	-	X	X	-	-	version panel
	4322 009 07220	-	-	-	X	-	version panel
	4822 466 12262	-	-	-	-	X	version panel
	4822 466 12263	-	-	-	-	X	switch pedal
	4822 466 12257	X	-	-	X	-	switch pedal
	4822 466 12259	-	X	X	-	-	switch pedal
15	4822 214 11309	-	-	-	-	X	PCB
	4822 214 11308	-	-	-	X	-	PCB 230V/50Hz
	4822 214 11407	-	-	-	X	-	PCB 220V/60Hz
	4822 214 11913	-	-	-	-	X	PCB rem. control 100-127V
	4822 214 11912	-	-	-	X	-	PCB eco/auco 100-127V
16	4822 015 70057	X	X	X	X	X	paper dustbag hyg.
	4822 480 10072	(X)	(X)	(X)	(X)	(X)	cotton dustbag
	4822 530 10246	X	X	X	(X)	(X)	suction hose (460)
18	4822 256 10155	X	X	X	X	X	dustbag holder
19	4822 320 11181	-	-	-	-	(X)	connecting cable
20	4822 441 11625	X	X	X	X	X	dust chamber
21	4822 492 71489	X	X	X	X	X	reel half spring unit
22	4822 466 10776	X	X	X	X	X	connection piece
23	4822 532 52554	X	X	X	X	X	brake tyre
24	4822 528 10836	X	X	X	X	X	reel half contact unit
25	4822 290 81474	X	X	X	X	X	contact-ring plate
26	4822 321 10816	X	X	X	X	X	cordset Australia / Argentina
27	4822 321 10822	X	X	X	X	X	cordset Japan (2 x 1.25 mm ²)
	4822 321 11348	X	X	X	X	X	cordset (2 x 0.75 mm ²)
28	4822 321 10818	X	X	X	X	X	cordset UK
29	4822 321 10783	X	X	X	X	X	cordset L = 8.3 m 4.8 mm pins
30	4822 321 10806	X	X	X	X	X	cordset
31	4822 321 10815	X	X	X	X	X	cordset
32	4822 441 12375	X	X	X	X	X	lower housing
33	4822 528 10925	X	X	X	X	X	caster assy
34	4822 271 30856	X	X	X	X	-	micro-switch
35	4822 492 11009	X	X	X	X	X	button spring
36	4822 404 40703	X	X	X	X	X	switch lever
37	4822 402 10111	X	X	X	X	(X)	parking hook
38	4822 276 13205	X	X	X	X	X	main switch
39	4822 441 12379	-	-	-	-	X	button panel
	4822 441 12376	X	-	-	X	-	button panel
	4822 441 12378	-	X	X	-	-	button panel
40	4822 441 12377	X	X	X	X	X	upper housing with buffer
40A	4822 460 11097	X	X	X	X	X	buffer
41	4822 480 10228	-	-	-	-	-	safety trio filter (opt.)

HR 8...		.901	.903	.905	.907	.909	Description
Pos							
42	4822 480 20145	X	X	X	X	X	carbon filter
	4822 458 10458	-	-	-	-	-	safety filter grille + trio filter (opt.)
43	4822 458 10461	X	X	X	X	X	carbon filter grille
	4822 360 10157	X	X	X	X	X	air inlet valve 220-240V
	4822 360 10233	X	X	X	X	X	air inlet valve 100-127V
44	4822 214 11359	X	X	X	X	-	power module dt 230V
	4822 214 11361	-	-	-	-	X	power module 230V
	4822 214 11911	X	X	X	X	X	power module 100-110V
45	4822 528 11366	X	X	X	X	X	rear wheel soft
46	4822 462 11196	-	X	X	-	-	rear wheel cap
	4822 462 11197	X	-	-	X	-	rear wheel cap
	4822 462 11198	-	-	-	-	X	rear wheel cap
47	4822 462 11195	X	X	X	X	X	cord outlet
48	4822 256 10587	X	-	-	X	-	S-filter holder
	4822 256 10588	X	X	-	-	-	S-filter holder
49	4822 256 10589	-	-	-	-	X	S-filter holder
	4822 480 10084	X	X	X	X	X	S-filter
50	4322 009 07190	X	X	X	X	X	motor housing
51	4822 532 12375	X	X	X	X	X	silencers
52	4822 466 10765	X	X	X	X	X	back motor buffer
52	4822 402 10109	X	X	X	X	X	suspension bracket
53	4822 492 11011	X	X	X	X	X	PCB mounting spring
54	4822 361 10768	X	X	X	X	X	motor 1241 - 230V
55	4822 361 10913	X	X	X	X	X	motor 100-110V
56	4822 466 62655	X	X	X	X	X	front motor buffer
57	4822 466 10766	X	X	X	X	X	motor disc 1241
58	4822 101 11361	X	X	X	X	-	potentiometer 220-240V
	4822 101 11689	X	X	X	X	-	potentiometer 100-127V
59	4822 450 10067	X	X	X	-	-	suct. power indicator 220-240V
	4822 450 10209	X	X	X	-	-	suct. power indicator 100-127V
120	4822 492 71622	X	-	-	-	-	metal-tube clip
121	4822 530 10229	X	-	-	-	-	metal-tube
122	4822 492 71623	-	X	X	X	X	telesc. -tube clip
123	4822 530 10233	-	X	X	X	X	telescopic tube
124	4822 452 80167	(X)	(X)	(X)	(X)	(X)	dust indicator (opt.)
125	4822 530 10247	X	X	X	X	-	eco bend + hose
126	4822 530 10235	X	X	X	X	-	eco bend
127	4822 479 70072	X	X	X	X	X	nozzle
128	4822 479 20123	X	X	X	X	X	nozzle strips
129	4822 479 50062	X	X	X	X	X	crevice nozzle
130	4822 479 60118	X	X	X	X	X	small nozzle
131	4822 479 30176	X	X	X	X	X	brush nozzle
132	4822 530 10248	-	-	-	-	X	rmc hose
137	4822 479 20222	-	-	X	-	-	hard floor nozzle
DFU	4822 736 17101	X	X	X	-	-	W - total
DFU	4822 736 17102	-	-	-	X	-	W - total
DFU	4822 736 17103	-	-	-	-	X	W - total

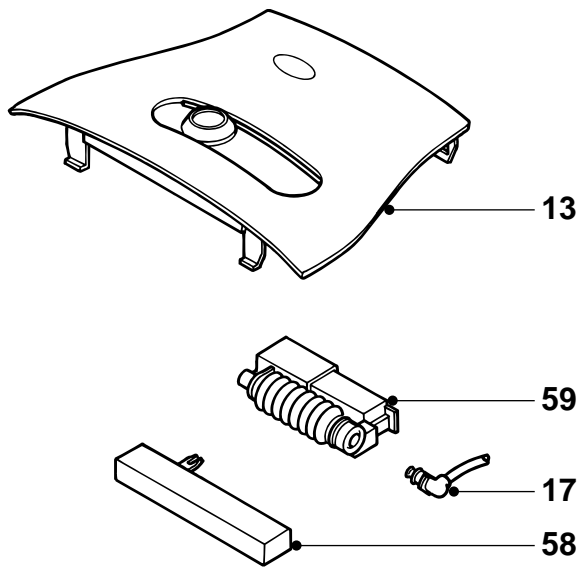
W - total
English Norwegian
German Danish
French Swedish
Dutch Finnish
Portuguese Turkey
Spanish Greec
Italian



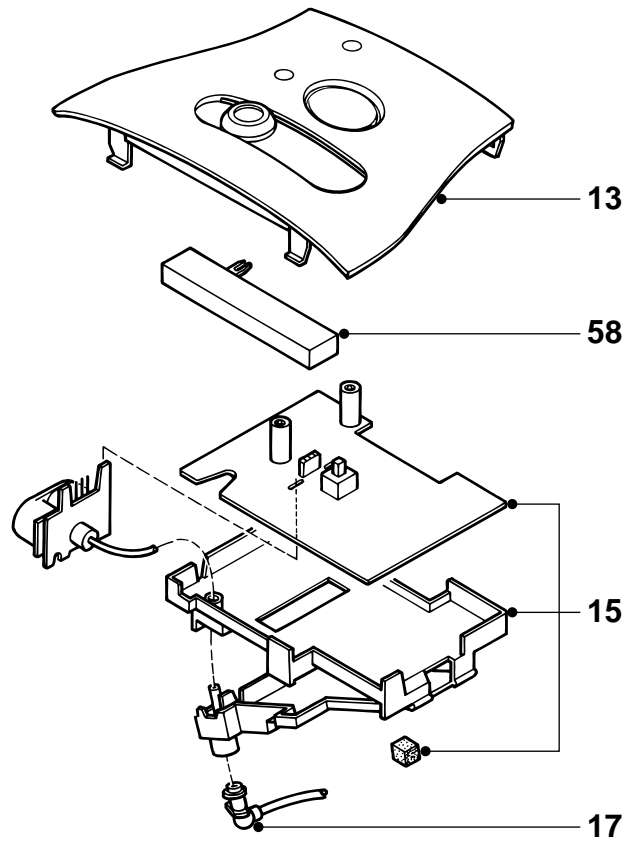




HR 8901
HR 8903
HR 8905



HR 8907



HR 8909

