



**SAMSUNG**

# COLOR TELEVISION RECEIVER

Chassis : K15A  
Model: CT331HBZX CT501EBZX  
CT331EBZX CT501HX  
CT331HBX CT5066BZX  
CT331HX CT5038ZX  
CT3366BZX  
CT3338ZX

# **SERVICE** *Manual*

## COLOR TELEVISION RECEIVER



## CONTENTS

1. Precautions
2. Specifications
3. Disassembly and Reassembly
4. Alignment and Adjustments
5. Troubleshooting
6. Exploded Views and Parts List
7. Electric Parts List
8. Block Diagram
9. PCB Layout
10. Wiring Diagrams
11. Schematic Diagrams



**ELECTRONICS**

## 1. Precautions

Follow these safety, servicing and ESD precautions to prevent damage and protect against potential hazards such as electrical shock and X-rays.

### 1-1 Safety Precautions

1. Be sure that all of the built-in protective devices are replaced. Restore any missing protective shields.
2. When reinstalling the chassis and its assemblies, be sure to restore all protective devices, including: nonmetallic control knobs and compartment covers.
3. Make sure that there are no cabinet openings through which people—particularly children—might insert fingers and contact dangerous voltages. Such openings include the spacing between the picture tube and the cabinet mask, excessively wide cabinet ventilation slots, and improperly fitted back covers.

If the measured resistance is less than 1.0 megohm or greater than 5.2 megohms, an abnormality exists that must be corrected before the unit is returned to the customer.

4. Leakage Current Hot Check (Figure 1-1):  
Warning: Do not use an isolation transformer during this test. Use a leakage-current tester or a metering system that complies with American National Standards Institute (ANIS C101.1, Leakage Current for Appliances), and Underwriters Laboratories (UL Publication UL1410, 59.7).
5. With the unit completely reassembled, plug the AC line cord directly into the power outlet. With the unit's AC switch first in the ON position and then OFF, measure the current between a known earth ground (metal water pipe, conduit, etc.) and all exposed metal parts, including: antennas, handle brackets, metal cabinets, screwheads and control shafts. The current measured should not exceed 0.5 milliamp. Reverse the power-plug prongs in the AC outlet and repeat the test.

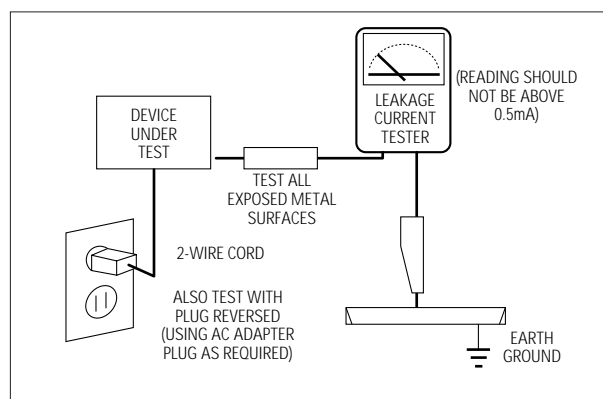


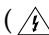

Fig. 1-1 AC Leakage Test

6. Antenna Cold Check:  
With the unit's AC plug disconnected from the AC source, connect an electrical jumper across the two AC prongs. Connect one lead of the ohmmeter to an AC prong. Connect the other lead to the coaxial connector.
7. X-ray Limits:  
The picture tube is especially designed to prohibit X-ray emissions. To ensure continued X-ray protection, replace the picture tube only with one that is the same type as the original. Carefully reinstall the picture tube shields and mounting hardware; these also provide X-ray protection.
8. High Voltage Limits:  
High voltage must be measured each time servicing is done on the B+, horizontal deflection or high voltage circuits. Correct operation of the X-ray protection circuits must be reconfirmed whenever they are serviced.  
(X-ray protection circuits also may be called "horizontal disable" or "hold-down".)

Heed the high voltage limits. These include the X-ray Protection Specifications Label, and the Product Safety and X-ray Warning Note on the service data schematic.

## 1-1 Safety Precautions (Continued)

---

9. High voltage is maintained within specified limits by close-tolerance, safety-related components and adjustments. If the high voltage exceeds the specified limits, check each of the special components.
10. Design Alteration Warning:  
Never alter or add to the mechanical or electrical design of this unit. Example: Do not add auxiliary audio or video connectors. Such alterations might create a safety hazard. Also, any design changes or additions will void the manufacturer's warranty.
11. Hot Chassis Warning:  
Some TV receiver chassis are electrically connected directly to one conductor of the AC power cord. If an isolation transformer is not used, these units may be safely serviced only if the AC power plug is inserted so that the chassis is connected to the ground side of the AC source.  
  
To confirm that the AC power plug is inserted correctly, do the following: Using an AC voltmeter, measure the voltage between the chassis and a known earth ground. If the reading is greater than 1.0V, remove the AC power plug, reverse its polarity and reinsert. Re-measure the voltage between the chassis and ground.
12. Some TV chassis are designed to operate with 85 volts AC between chassis and ground, regardless of the AC plug polarity. These units can be safely serviced only if an isolation transformer inserted between the receiver and the power source.
13. Some TV chassis have a secondary ground system in addition to the main chassis ground. This secondary ground system is not isolated from the AC power line. The two ground systems are electrically separated by insulating material that must not be defeated or altered.
14. Components, parts and wiring that appear to have overheated or that are otherwise damaged should be replaced with parts that meet the original specifications. Always determine the cause of damage or overheating, and correct any potential hazards.
15. Observe the original lead dress, especially near the following areas: Antenna wiring, sharp edges, and especially the AC and high voltage power supplies. Always inspect for pinched, out-of-place, or frayed wiring. Do not change the spacing between components and the printed circuit board. Check the AC power cord for damage. Make sure that leads and components do not touch thermally hot parts.
16. Picture Tube Implosion Warning:  
The picture tube in this receiver employs "integral implosion" protection. To ensure continued implosion protection, make sure that the replacement picture tube is the same as the original.
17. Do not remove, install or handle the picture tube without first putting on shatterproof goggles equipped with side shields. Never handle the picture tube by its neck. Some "in-line" picture tubes are equipped with a permanently attached deflection yoke; do not try to remove such "permanently attached" yokes from the picture tube.
18. Product Safety Notice:  
Some electrical and mechanical parts have special safety-related characteristics which might not be obvious from visual inspection. These safety features and the protection they give might be lost if the replacement component differs from the original—even if the replacement is rated for higher voltage, wattage, etc.  
  
Components that are critical for safety are indicated in the circuit diagram by shading, () or ().  
Use replacement components that have the same ratings, especially for flame resistance and dielectric strength specifications. A replacement part that does not have the same safety characteristics as the original might create shock, fire or other hazards.

## 1-2 Servicing Precautions

---

Warning1: First read the "Safety Precautions" section of this manual. If some unforeseen circumstance creates a conflict between the servicing and safety precautions, always follow the safety precautions.

Warning2: An electrolytic capacitor installed with the wrong polarity might explode.

1. Servicing precautions are printed on the cabinet. Follow them.
2. Always unplug the unit's AC power cord from the AC power source before attempting to: (a) Remove or reinstall any component or assembly, (b) Disconnect an electrical plug or connector, (c) Connect a test component in parallel with an electrolytic capacitor.
3. Some components are raised above the printed circuit board for safety. An insulation tube or tape is sometimes used. The internal wiring is sometimes clamped to prevent contact with thermally hot components. Reinstall all such elements to their original position.
4. After servicing, always check that the screws, components and wiring have been correctly reinstalled. Make sure that the portion around the serviced part has not been damaged.
5. Check the insulation between the blades of the AC plug and accessible conductive parts (examples: metal panels, input terminals and earphone jacks).
6. Insulation Checking Procedure: Disconnect the power cord from the AC source and turn the power switch ON. Connect an insulation resistance meter (500V) to the blades of the AC plug.  
  
The insulation resistance between each blade of the AC plug and accessible conductive parts (see above) should be greater than 1 megohm.
7. Never defeat any of the B+ voltage interlocks. Do not apply AC power to the unit (or any of its assemblies) unless all solid-state heat sinks are correctly installed.
8. Always connect a test instrument's ground lead to the instrument chassis ground before connecting the positive lead; always remove the instrument's ground lead last.

## 1-3 Precautions for Electrostatically Sensitive Devices (ESDs)

---

1. Some semiconductor (“solid state”) devices are easily damaged by static electricity. Such components are called Electrostatically Sensitive Devices (ESDs); examples include integrated circuits and some field-effect transistors. The following techniques will reduce the occurrence of component damage caused by static electricity.
2. Immediately before handling any semiconductor components or assemblies, drain the electrostatic charge from your body by touching a known earth ground. Alternatively, wear a discharging wrist-strap device. (Be sure to remove it prior to applying power—this is an electric shock precaution.)
3. After removing an ESD-equipped assembly, place it on a conductive surface such as aluminum foil to prevent accumulation of electrostatic charge.
4. Do not use freon-propelled chemicals. These can generate electrical charges that damage ESDs.
5. Use only a grounded-tip soldering iron when soldering or unsoldering ESDs.
6. Use only an anti-static solder removal device. Many solder removal devices are not rated as “anti-static”; these can accumulate sufficient electrical charge to damage ESDs.
7. Do not remove a replacement ESD from its protective package until you are ready to install it. Most replacement ESDs are packaged with leads that are electrically shorted together by conductive foam, aluminum foil or other conductive materials.
8. Immediately before removing the protective material from the leads of a replacement ESD, touch the protective material to the chassis or circuit assembly into which the device will be installed.
9. Minimize body motions when handling unpackaged replacement ESDs. Motions such as brushing clothes together, or lifting a foot from a carpeted floor can generate enough static electricity to damage an ESD.

## 2. Specifications

### 2-1 Specifications

Television System	14"/20"/21" NTSC COLOR TV SIGNAL
Power Consumption	14" : 57 WATTS NOMINAL, 20" : 70 WATTS NOMINAL 21" : 75 WATTS NOMINAL,
Picture Tube	14" : A34KQV42X 20" : A48KRD82X (H) 21": : A51KQJ63X (H)
Power Requirement	AC 120V, 60Hz /AC 100 ~ 240, 50Hz, 60Hz
Operating System	REMOCON SYSTEM (SZM354ET)
Tuning Ranges	VHF CH : 2-13, UHF CH : 14-69, CABLE CH : 1,14-125
Antenna Input Impedance	75 ohm UNBALANCED TYPE FOR VHF/UHF
Intermediate Frequency	PICTURE 45.75MHz, SOUND 41.25MHz, COLOR SUB CARRIER 42.17MHz
Speaker Impedance	Single: 8 ohm 3W Dual : 8 ohm 3W x 2 Dual : 16 ohm , 3W x 2 (CT-33H1, CT-50H1)

---

## 3. Disassembly and Reassembly

---

### 3-1 Back Cover Removal

---

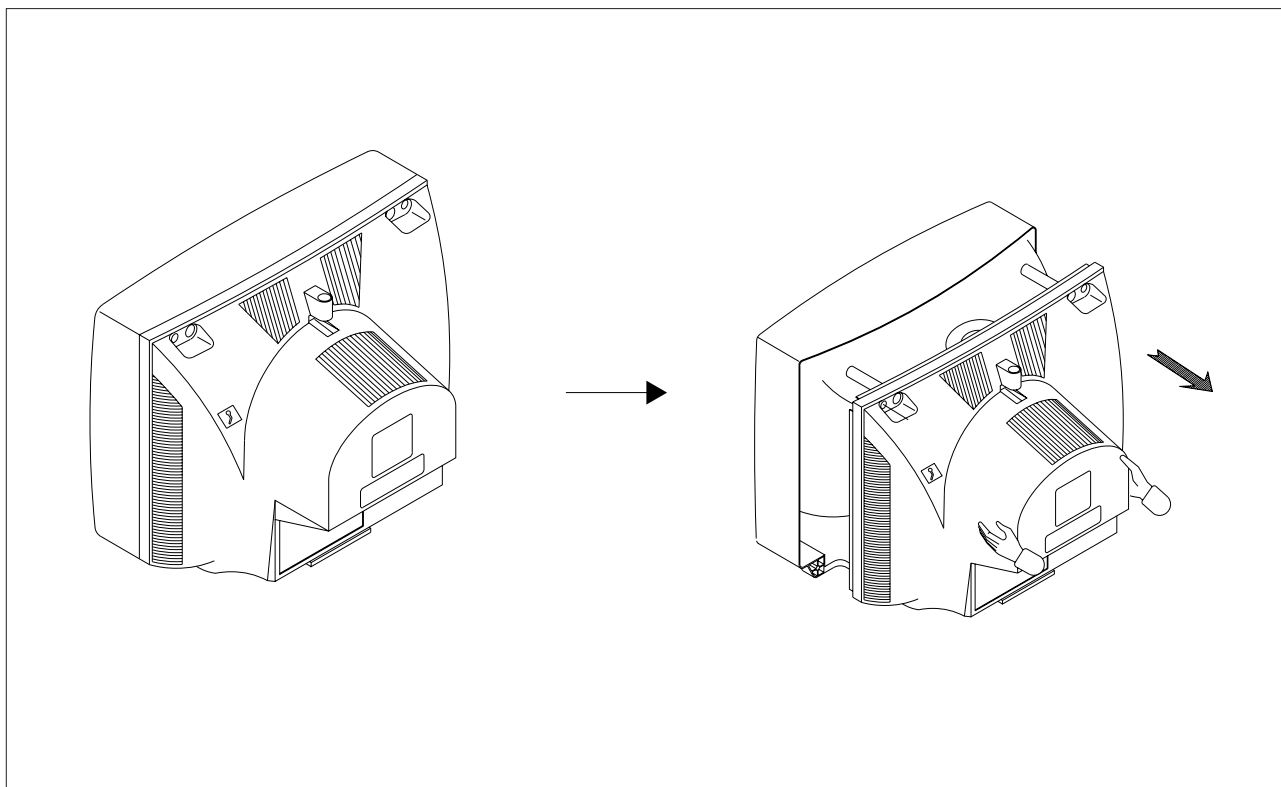


Fig. 3-1

1. After removing the screws, pull the cabinet backwards.



## 3-2 Main Board Removal

---

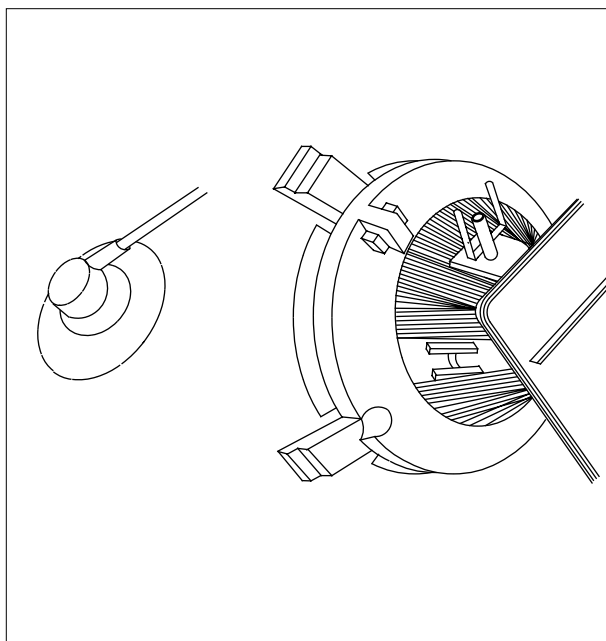


Fig. 3-2

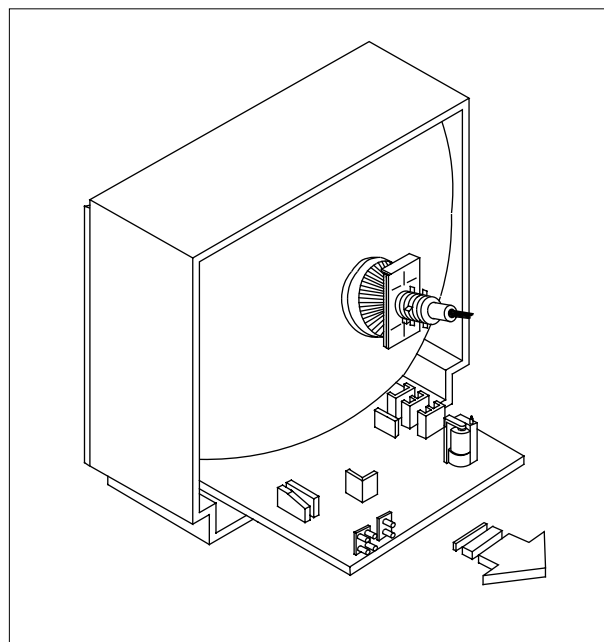


Fig. 3-3

1. Separate the socket board from the CRT neck.
2. Remove the Anode Cap from the CRT.
3. Remove the main board by pulling it with both hands.

Warning: The FBT is charged with high voltage.  
Before removing the Anode Cap, discharge the voltage  
through one of the heat sinks on the main board.

### 3-3 Speaker Removal

---

1. Loosen the screws and remove the speakers.

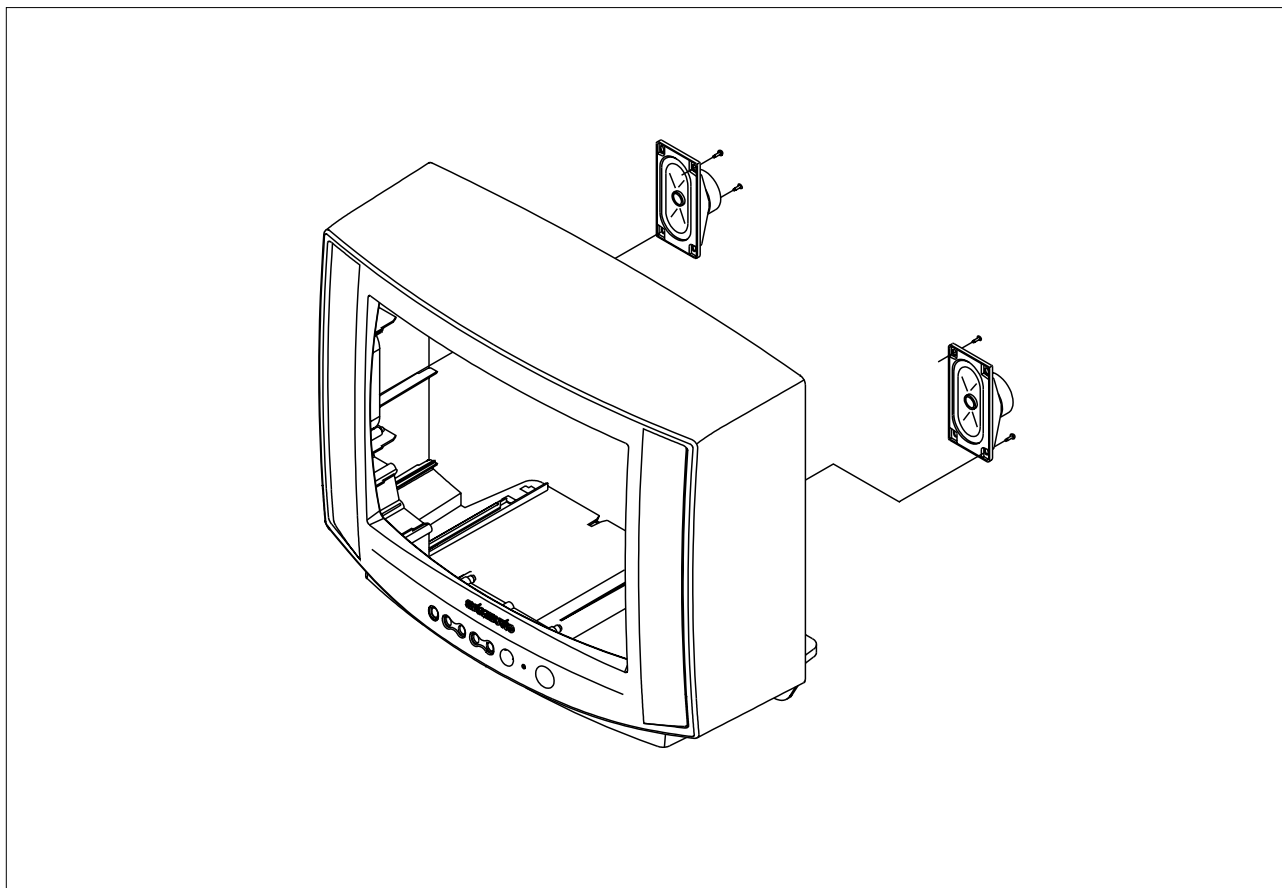


Fig. 3-4

## 3-4 CRT Removal

---

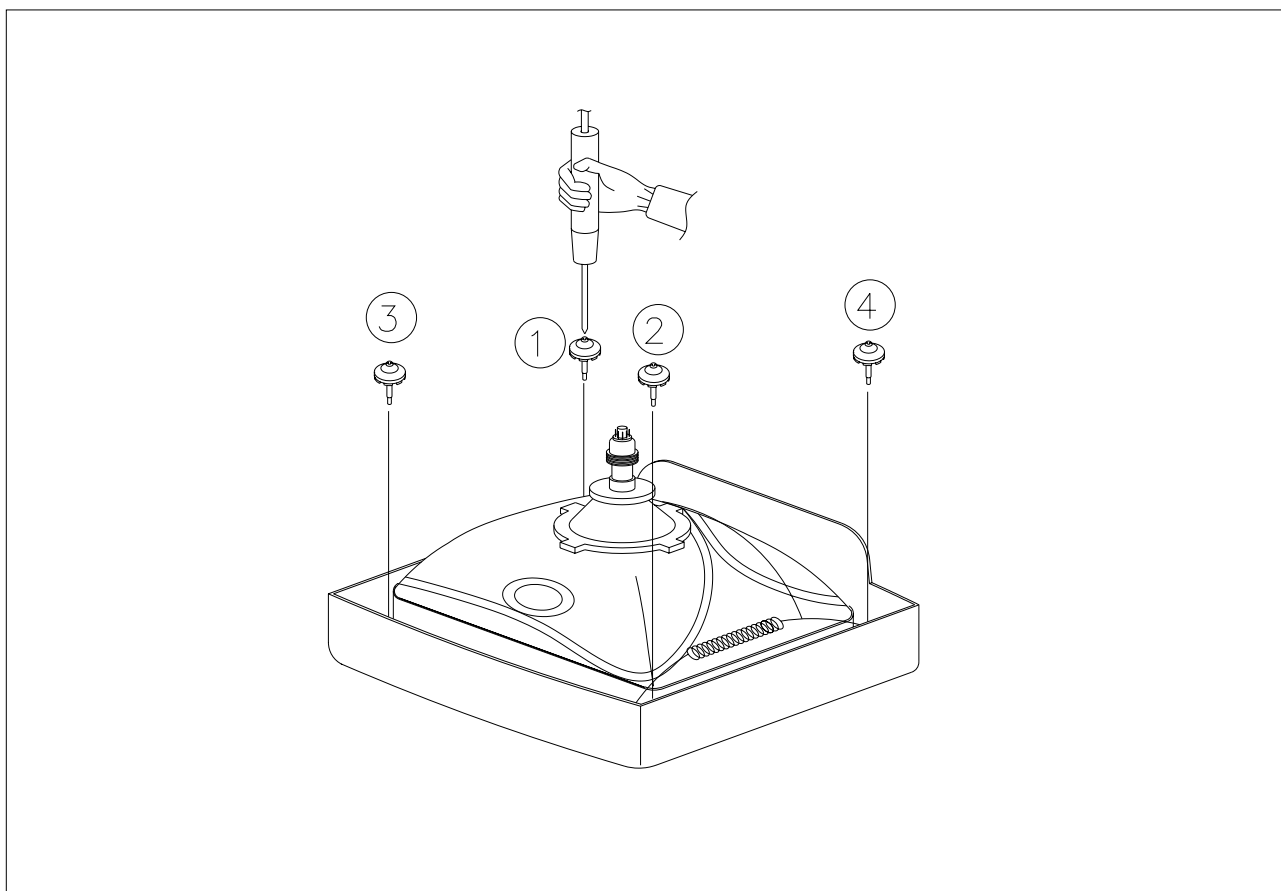


Fig. 3-5

1. Spread a soft mat on the floor. Place the TV set face down.
2. Remove the 4 nuts mounting the CRT to the front cabinet.
3. Lift the CRT.
4. Caution: Because of the high vacuum and large surface area of the picture tube, be careful while handling it:  
(1) Always lift the picture tube by grasping it firmly around the face-plate, (2) Never lift the tube by its neck. (3) Do not scratch the picture tube or apply excessive pressure. Fractures of the glass may cause an implosion.

## 4. Alignment and Adjustments

### 4-1 Service Mode Adjustments

#### 4-1-1 Service Mode Menus

Since there are no VRs in the K15A chassis, all adjustments after parts replacement must be done in the Service Mode. Service Mode adjustments are necessary when either the EEPROM (IC902) or the CRT is replaced.

#### 4-1-2 Entering the Service Mode

Press the following transmitter keys while in STAND-BY mode:

MUTE—>1—>8—>2—>POWER  
 “Factory Mode Menu” is displayed

ADJUSTMENT	<---selected (violet)
PATTERN	
OPTION	
RESET	

Enter Service Mode using the Volume +,- keys. Service Mode Menu:

AGC	XX	RC	XXX
VCO	XX	GC	XXX
SBT	XX	BC	XX
SCT	XX	VA	XX
SCR	XX	VS	XX
STT	XXX	HS	XX
GG	XXX	SS	XX
BG	XXX	SVC : MUTE	

Select a mode to be adjusted, using the channel down key. Example: VCO.

AGC	XX	RC	XXX
VCO	XX	GC	XXX
SBT	XX	BC	XX
SCT	XX	VA	XX
SCR	XX	VS	XX
STT	XXX	HS	XX
GG	XXX	SS	XX
BG	XXX	SVC : MUTE	

Change the data with “Volume +, - “ keys.

VCO	71
-----	----

Return to the Service mode by pressing MENU.

AGC	XX	RC	XXX
VCO	XX	GC	XXX
SBT	XX	BC	XX
SCT	XX	VA	XX
SCR	XX	VS	XX
STT	XXX	HS	XX
GG	XXX	SS	XX
BG	XXX	SVC : MUTE	

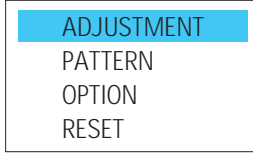
Return to the Factory mode via the MENU key.

ADJUSTMENT
PATTERN
OPTION
RESET

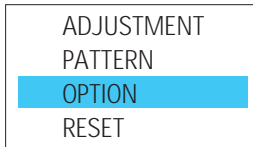
Press POWER to enter the Stand-by mode.

### 4-1-3 Adjustment in Option Mode

This adjustment is necessary whenever the EEPROM is replaced. Input data (as marked on the back cabinet).



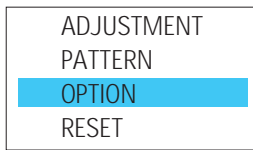
Select "SET OPTION" by pressing the Channel ▼ key twice.



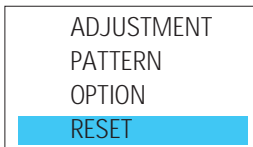
Press the Volume +, - keys to enter the set Option mode.



Press MENU to go back to the factory mode.



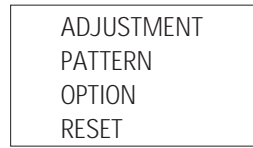
Select RESET with channel ▼ key.



Press volume + key.



### 4-1-4 Service Mode Adjustments



1. The Pattern Adjustment is done only in the factory. Do not attempt to readjust it.
2. Refer to 4-2 for other adjustments.
3. Set OPTION data.

### 4-1-5 Service Mode Adjustment Ratings

No	Item	Function	Range	Initialized MICOM Data
1	AGC	RF AGC Adjustment	0-63	50
2	VCO	PIF VCO Adjustment	0-127	63
3	SCT	SUB-CONTRAST Adjustment	0-63	48
4	SCR	SUB-COLOR Adjustment	0-27	13
5	STT	SUB-TINT Adjustment	0-27	7
6	RC	RED-CUT OFF Adjustment	0-255	0
7	GC	GREEN-CUT OFF Adjustment	0-255	0
8	BC	BLUE-CUT OFF Adjustment	0-255	0
9	SVC	Input a Horiz line pattern		
10	GG	GREEN-GAIN Adjustment	0-255	127
11	BG	BLUE-GAIN Adjustment	0-255	127
12	SBT	SUB-BRIGHTNESS Adjustment	0-63	31
13	VA	VERTICAL SIZE Adjustment	0-63	39
14	VS	VERTICAL CENTER Adjustment	0	0
15	HS	HORIZONTAL Phase Adjustment	0-31	15
16	SS	SUB-SHARPNESS Adjustment	0-31	4

Note : The initial MICOM data values take effect when IC902 is replaced.

## 4-2 Alignment and Adjustment


---

### 4-2-1 General Alignment Instructions

1. Usually, a color TV needs only slight touch-up adjustment upon installation. Check the basic characteristics such as picture height, focus and a horizontal and vertical sync.
2. Observe the picture and check for good black and white details. There should be no objectionable color shading; If color shading is present, demagnetize the receiver. If color shading persists, perform purity and convergence adjustments described below.
3. To protect against shock hazard, use an isolation transformer.

### 4-2-2 Power Supply Check

Check the following:

- A: Power plug is connected; "Stand-by" mode  
 B: Power On when "Power ON" button is pressed  
 C: Power On by FBT Each supply is marked on its lead-in wire. (  )

### 4-2-3 Focus Adjustment

Adjust the focus control on the FBT for well defined scanning lines.

### 4-2-4 Fail Safe Circuit Check (FS) (OPTION)

1. The failsafe check must be the final step in servicing.
2. Turn the power switch ON and adjust customer controls for normal operation.
3. Temporarily short pin X to pin R on the main board (RX06, RX04) with a jumper wire. Raster will disappear.
4. The TV must remain in this state even after removing the jumper wire. This shows that the failsafe circuit is working properly.
5. To recover picture and sound, temporarily turn off the TV and allow the failsafe circuit more than 30 seconds to reset. Then switch power ON to produce normal picture and sound.

### 4-2-5 IC902 Replacement

1. When IC902 is replaced, all values are reset to "Initialized MICOM Data" and readjustment is necessary.
2. Press the POWER button 10 seconds after plug-in.
3. To enter the Service Mode, refer to Fig. 4-1 (Service Mode Adjustment).

### 4-2-6 PIF VCO Adjustment

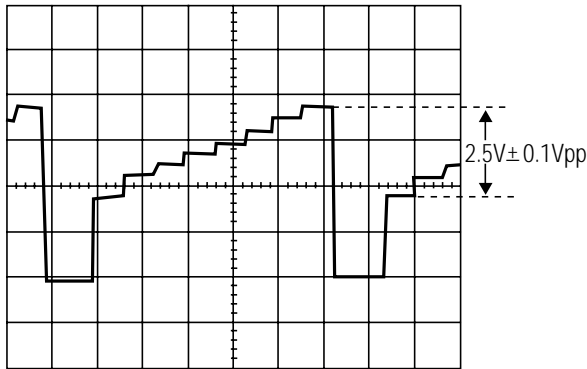
1. Use a Pattern Generator or an off-air signal.
2. Open pin 11 of Micom (IC901) or one side of lead pin for R237.
3. Adjust VCO in the service mode to set IC101 Pin 44 (AFT) to  $2.5V \pm 0.4V$ .
4. Connect the opened site.

### 4-2-7 RF-AGC Adjustment

1. Input a PHILLIPS pattern.
2. Set the input signal to 60 dB.
3. Enter into the AGC in the service mode.
4. Adjust AGC until color bar noise disappears.

### 4-2-8 Sub-Contrast Adjustment

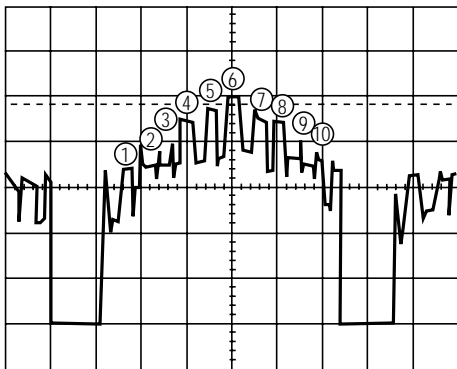
1. Input a gray scale pattern. Use a pattern generator (PM5518).
2. Short D208 to switch off the ABL feed-back.
3. Check CN201 R-OUT with an oscilloscope.
4. Set RC, BC, GC data to 0 in the Service Mode.
5. Adjust SCT to  $2.40 \pm 0.1V_{p-p}$



6. Remove the short across D208 and restore ABL.

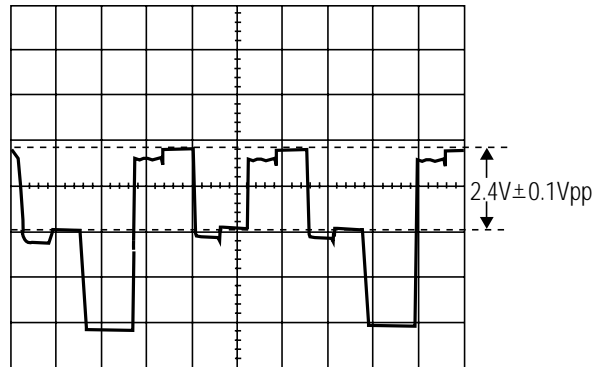
### 4-2-9 Sub-Tint Adjustment

1. Input a rainbow pattern.
2. Check CN201 B-OUT with an oscilloscope.
3. Adjust STT in the service mode until the 6th peak is the highest and the 5th and 7th peaks have equal heights.



### 4-2-10 Sub-Color Adjustment

1. Do sub-color adjustment after the Sub-Contrast and Sub-Tint adjustments.
2. D208 should still be shorted. The ABL should still be switched OFF.
3. Input a color bar pattern. Use a pattern generator (PM5518).
4. Check CN201 R-OUT (use an oscilloscope).
5. Ensure that the RC, GC and BC data are 0. BG are 140 and GG should be 90.
6. Adjust SCR to  $2.4 \pm 0.1V_{p-p}$  (black and red levels).
7. Remove the short across D208 and restore ABL.



### 4-2-11 White Balance Adjustment

#### 4-2-11 (A) LOW-LIGHT ADJUSTMENTS

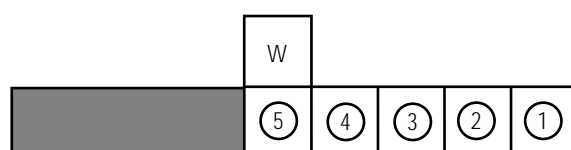
1. Input either a lion head or “pure white” color pattern.
2. Operate the receiver for 30 minutes.
3. Check the data in the service mode:  
RC, GC, BC are 0 and SB is 16;  
Steps BG are 90 and GG are 140.
4. Enter the horizontal line mode by pressing the MUTE key.
5. Adjust the screen VR on the FBT until a dim colored line (red, green or blue) appears on the screen.
6. After pressing the MUTE key, go to RC, BC or GC with channel ▲, ▼ keys. After putting a dim colored line (red, green or blue) in the horizontal line with MUTE key, adjust color with volume ▲, ▼ keys.
7. Exit the horizontal line via the MUTE key.

#### 4-2-11 (B) HIGH-LIGHT ADJUSTMENTS

1. Input a high-light pattern
2. Adjust GG, BG in the Service Mode.
3. Recheck in low light.

### 4-2-12 Sub-Brightness Adjustment

1. Input a Toshiba pattern.
2. Warm up the receiver for 10 minutes.
3. Enter the Service Mode and set SB to the point where the 5th point is brighter in the gray scale.



### 4-2-13 Vertical Size Adjustment

1. Input a lion head pattern.
2. After the vertical center adjustment, enter into the service mode.
3. Adjust VA so that the each top and bottom of the screen is 4.0. If the top and bottom values are different, adjust VA so that the sum of the two values is 8.0.

### 4-2-14 Horizontal Size Adjustment

1. Receive a lion head pattern.
2. Enter into the service mode.
3. Adjust HS to symmetrized right and left.

### 4-2-15 When CRT Is Replaced

Do the following adjustments after the basic purity and convergence adjustments.

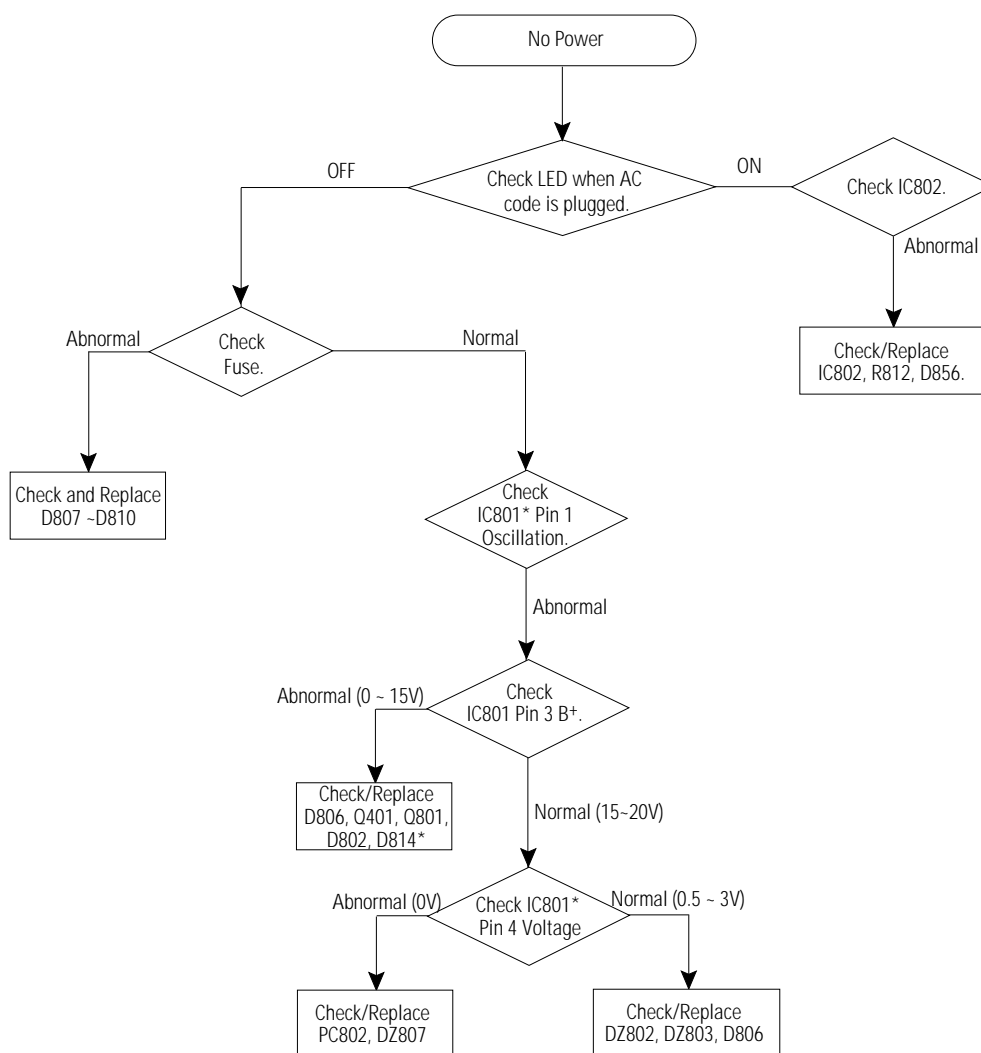
1. White Balance
2. Sub-brightness
3. Vertical Size
4. Horizontal Size
5. Fail safe (should be the final step).



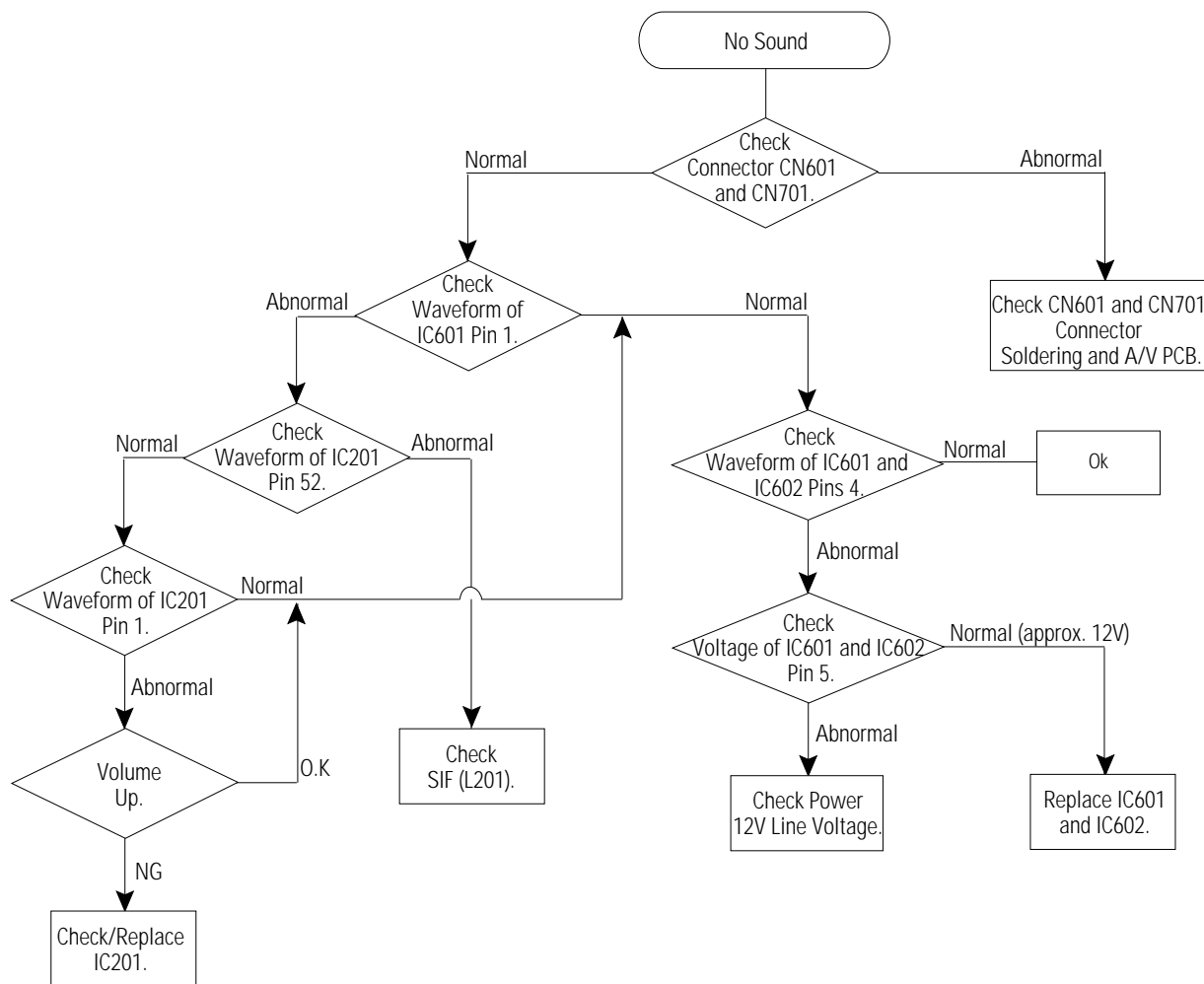
# MEMO

## 5. Troubleshooting

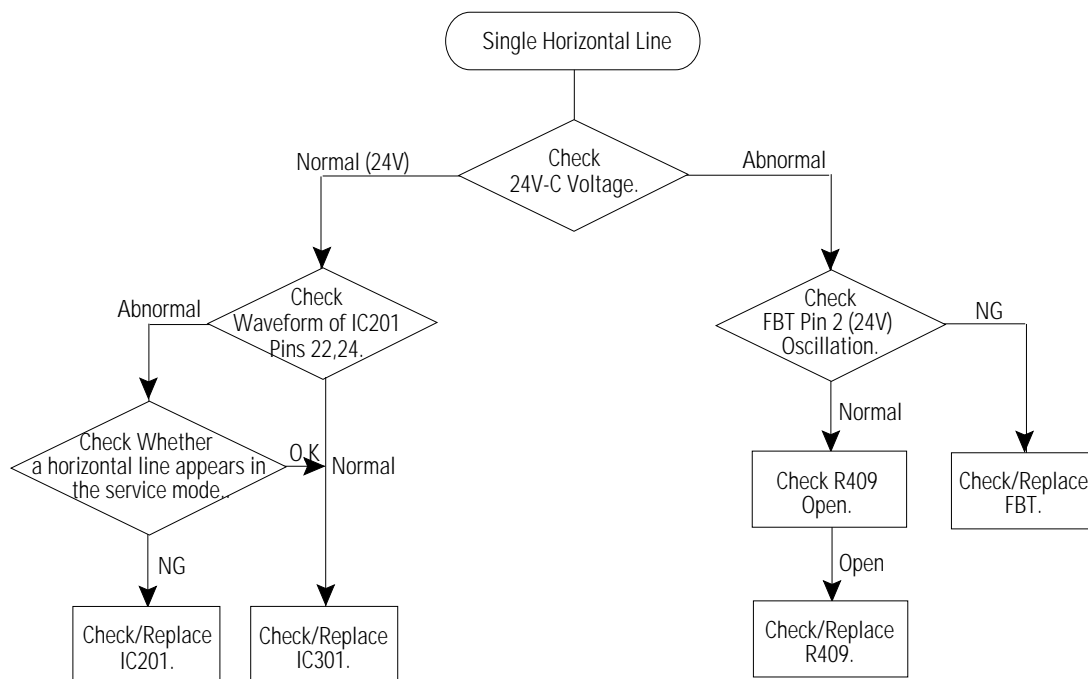
### 5-1 No Power



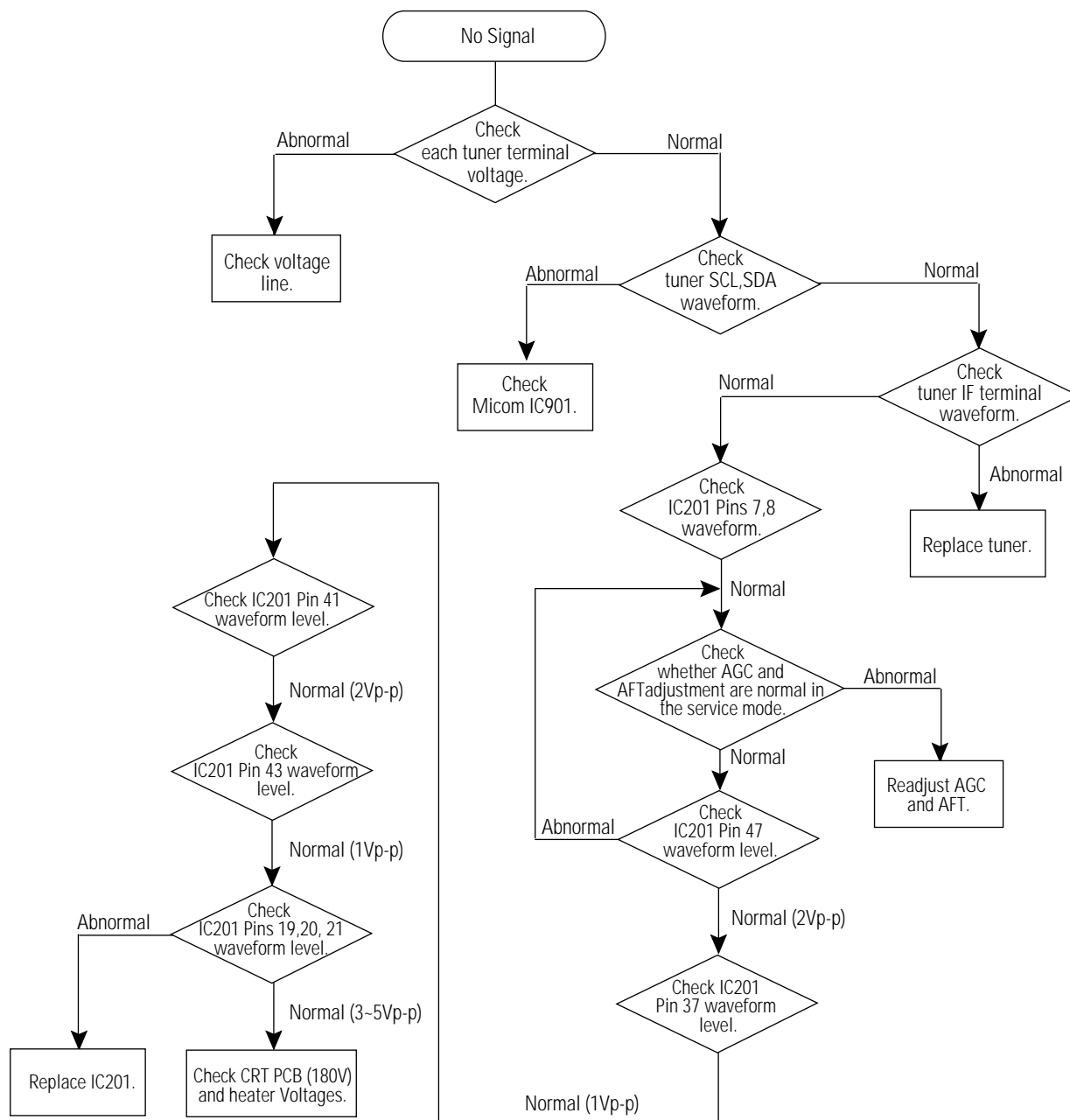
## 5-2 No Sound



### 5-3 Horizontal Line Appears

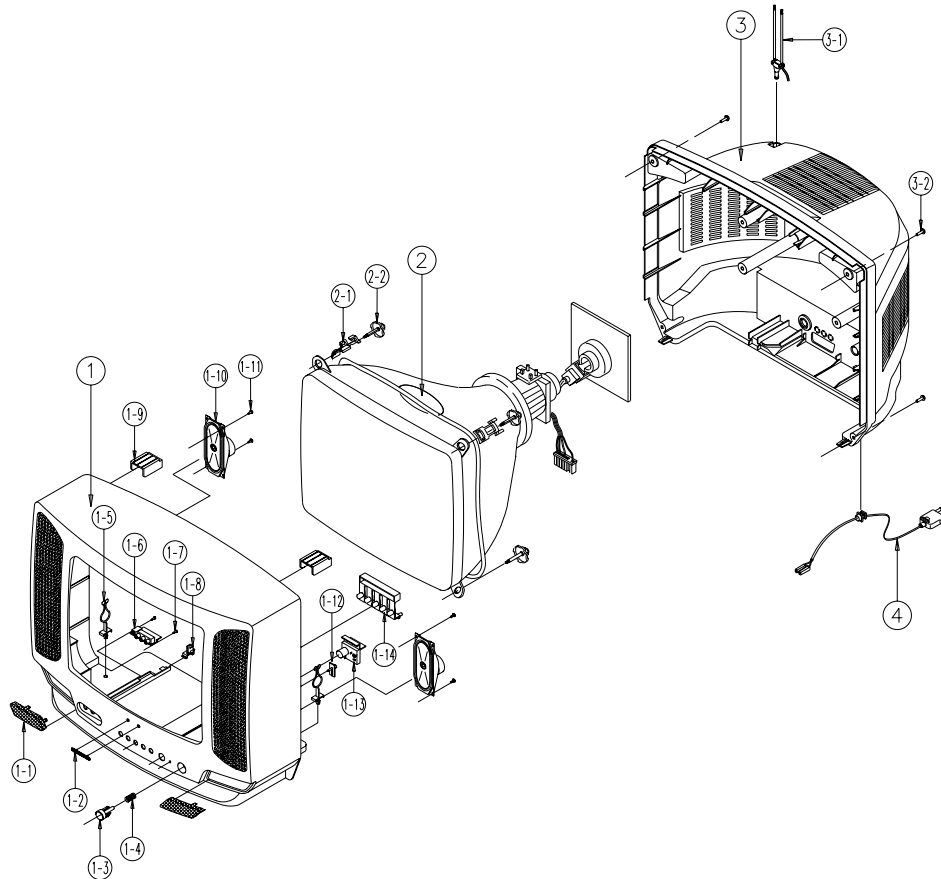


## 5-4 No Signal



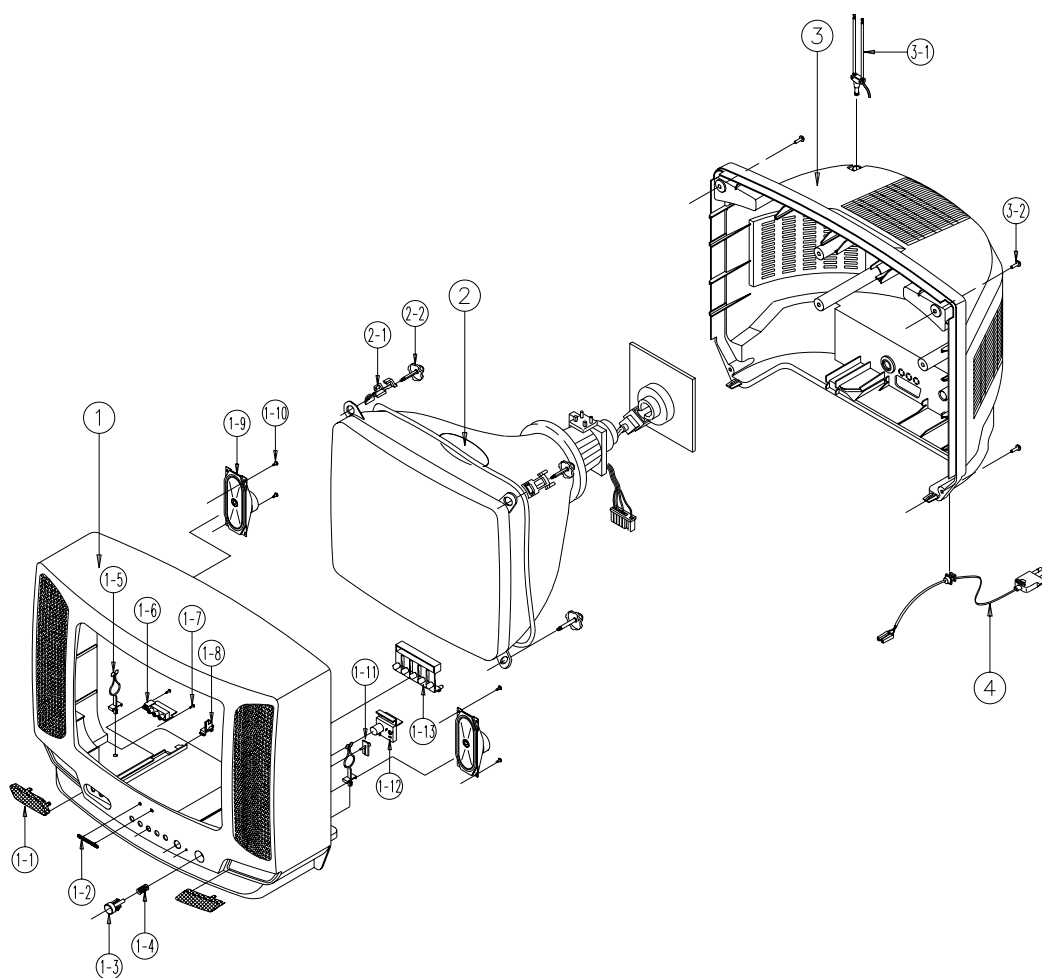
## 6. Exploded Views & Parts List

### 6-1 CT331E



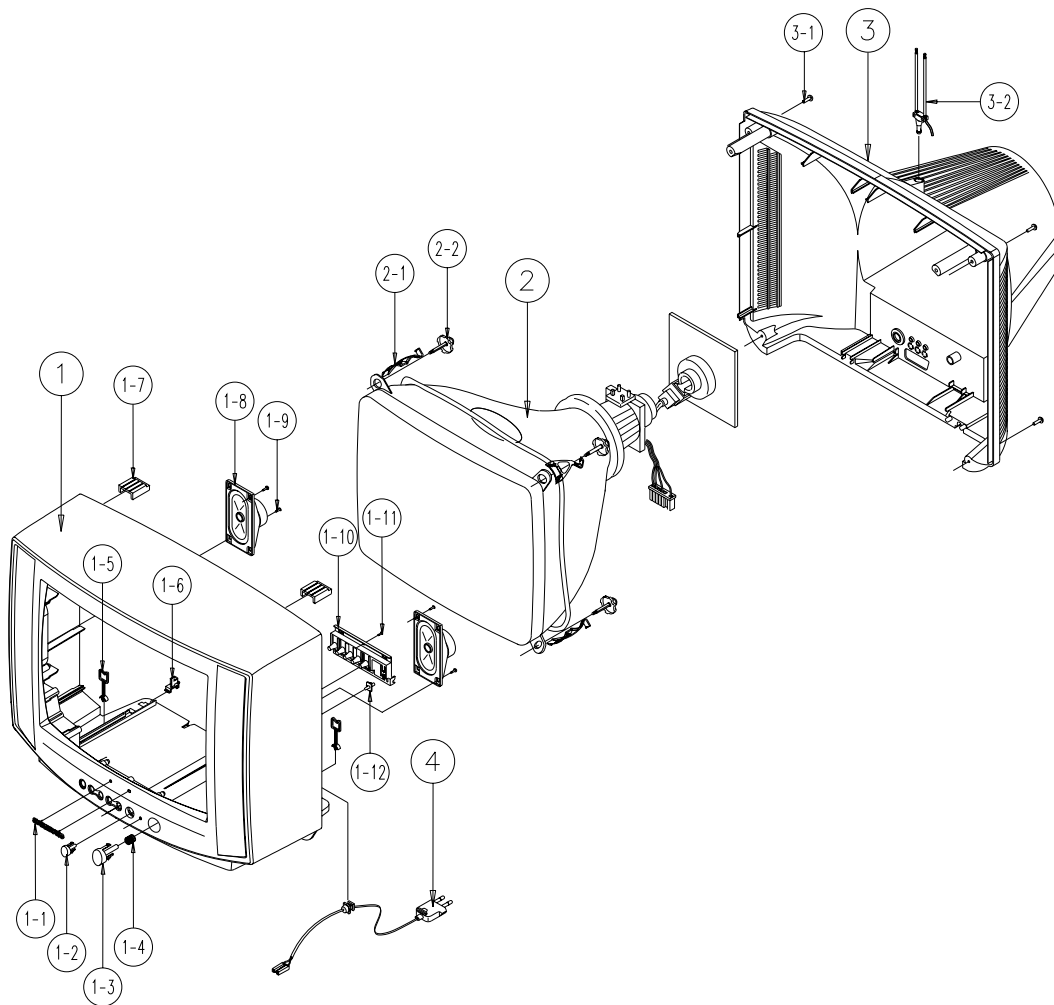
No	Code No	Description	Specification	Q'ty	Remark
1	AA64-30981P	CABINET-FRONT	-,CT331EBZ,BK708P EGB,HIPS	1	
1-1	AA63-50311A	GRILLE-WOOFER,L	;- ,331E,PA110 3R,SECC,TO.	1	
	AA63-50306A	GRILLE-WOOFER,R	-,331E,PA110 3R,SECC,TO.	1	
1-2	AA64-70009G	BADGE-BRAND	AL,SS R800 22,GOLD,L40,-,-,-	1	
1-3	AA64-10638A	KNOB-POWER,T	-,331E,TACT,ABS,HB,BLK	1	
1-4	AA61-60005S	SPRING-CS	-,SUS304,0.6,OD10,H12.5,N4,-,-	1	
1-5	AA65-30105A	CLAMP-WIRE	NYLON 66,V2,NTR,15MM,ALL MODE	1	
1-6	AA95-90030M	ASSY-PCB,A/V FRONT	-,CT-2139H,KCT15A,NTS	1	
1-7	AA60-10002A	SCREW-TAPPING	RH,+ ,M4,L12,ZPC(YEL),-,OD1	2	
1-8	AA61-40053A	STOPPER-PCB	ALL MODEL,HIPS HB,WHT,HB,-,-	1	
1-9	AA61-40015A	BOSS-CABINET	-,HIPS,HB,NTR,-,-	2	
1-10	3001-001034	SPEAKER	6W,8ohm,90dB,140Hz	1	
1-11	6002-000514	SCREW-TAPPING	RH,+ ,2,M4,L15,ZPC(BLK),SWR	4	
1-12	AA64-40408A	INDICATOR-LED	-,501E,-,ACRYL,HB,CLR,-	1	
1-13	AA64-40407A	WINDOW-REMOCON	-,501E,-,PC,-,-,VIOLET	1	
1-14	AA64-10637A	KNOB-CONTROL	-,501E,-,ABS,HB,BLK	1	
2	AA03-10003K	CRT-COLOR	-,A34KQV42X(B),-300MG,14,90DE	1	CT331EBZX/GSU
	AA03-10003J	CRT-COLOR	-,A34KQV42X(B),0MG,14,90DEG,5	1	CT331EBZX/STR
2-1	AA60-10050R	SCREW-ASSY	WC,HH,+ ,M5,L31.5,SWRCH18A,ZPC	4	
2-2	AA65-30016A	CLAMP-D,COIL	NYLON-66,V0,NTR,DADH-360 14	4	
3	AA64-30983B	CABINET-BACK	-,331E,-,HIPS,HB,BLK,-,-	1	
3-1	AA42-10001V	ANT-ROD	-,3S,620mm,BRN,UL/CSA	1	
3-2	6002-000514	SCREW-TAPPING	RH,+ ,2,M4,L15,ZPC(BLK),SWR	4	
4	AA39-10006X	POWER-CORD	-,KKP419C,KLCE-2F,2.286MT,3P,	1	

## 6-2 CT501E



No	Code No	Description	Specification	Q'ty	Remark
1	AA64-30978X	CABINET-FRONT	,CT501EBZ,BK708P EGB,HIPS,HB,	1	GSU,STR,XAP
1-1	AA63-50305A	GRILLE-WOOFER,R	-.501E,PA110 3R,SECC,T0.5,-,-	1	
	AA63-50310A	GRILLE-WOOFER,L	-.501E,PA110 3R,SECC,T0.5,-,-	1	
1-2	AA64-70010D	BADGE-BRAND	AL,SS R2000 25,GOLD,L50,-,-,-	1	
1-3	AA64-10635A	KNOB-POWER,T	-.5084,TACT,ABS,HB,BLK	1	
1-4	AA61-60003J	SPRING-CS	-.SUS304,0.5,0D6,H12,N7,-,-,-	1	
1-5	AA65-30105A	CLAMP-WIRE	NYLON 66,V2,NTR,15MM,ALL MODE	1	
1-6	AA95-90030M	ASSY-PCB,A/V FRONT	-.CT-2139H,KCT15A,NTS	1	
1-7	AA60-10002A	SCREW-TAPPING	RH,+ ,M4,L12,ZPC(YEL)-,OD1	2	
1-8	AA61-40053A	STOPPER-PCB	ALL MODEL,HIPS HB, WHT,HB,-,-	1	
1-9	3001-001034	SPEAKER	6W,8ohm,90dB,140Hz	1	
1-10	6002-000514	SCREW-TAPPING	RH,+ ,2,M4,L15,ZPC(BLK),SWR	4	
1-11	AA64-40408A	INDICATOR-LED	-.501E,- ,ACRYL,HB,CLR,-	1	
1-12	AA64-40407A	WINDOW-REMOCON	-.501E,- ,PC,-,- ,VIOLET	1	
1-13	AA64-10637A	KNOB-CONTROL	-.501E,- ,ABS,HB,BLK	1	
2	AA03-10029Z	CRT-COLOR	-.A48KRD82X(HB),+380mG,20,90d	1	CT501EBZX/XAP
	AA03-10030A	CRT-COLOR	-.A48KRD82X(HB),-300mG,20,90d	1	CT501EBZX/GSU
	AA03-10030L	CRT-COLOR	-.A48KRD82X(HB),0mG,20,90deg	1	CT501EBZX/STR
2-1	AA60-10050R	SCREW-ASSY	WC,HH,+ ,M5,L31.5,SWRCH18A,ZPC	4	
2-2	AA65-30019A	CLAMP-D.COIL	NYLON-66,V0,NTR,DADH-460 20	4	
	AA65-30107A	CLAMP-D.COIL	NYLON 66,V2,NTR,- ,20-22 INCH,-	4	CT501EBZX/STR
3	AA64-30979B	CABINET-BACK	-.501E,- ,HIPS,HB,BLK,-,-	1	XAP,STR,GSU
3-1	AA42-10001V	ANT-ROD	-.3S,620mm,BRN,UL/CSA	1	
3-2	6002-000514	SCREW-TAPPING	RH,+ ,2,M4,L15,ZPC(BLK),SWR	4	
4	AA39-10006X	POWER-CORD	-.KKP419C,KLCE-2F,2.286MT,3P,	1	

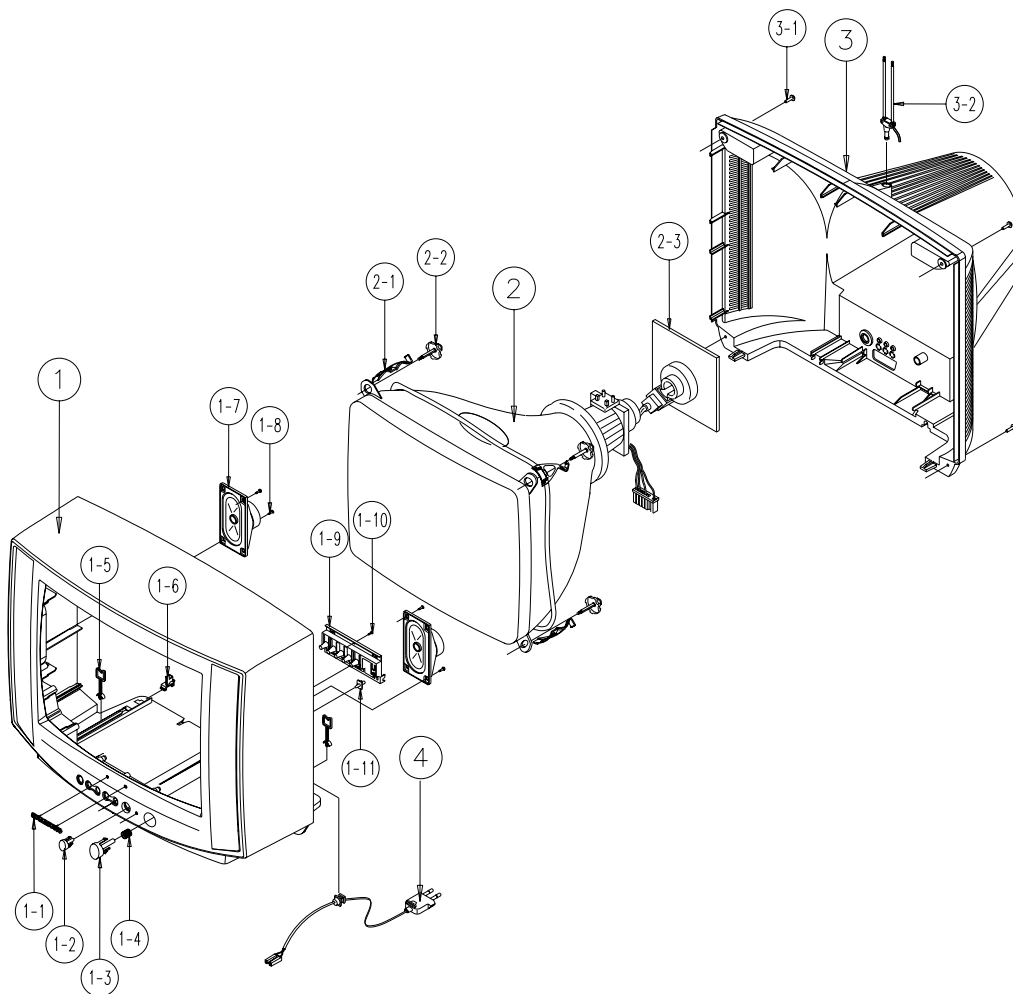
## 6-3 CT331H



No	Code No	Description	Specification	Q'ty	Remark
1	AA64-31232B	CABINET-FRONT	;-,CT-331HB,BK708P HITRON,HIPS,	1	
	AA64-31232E	CABINET-FRONT	;-,CT-331HBZ,BK708P EGB,HIPS,HB	1	CT331HBX/DIS
1-1	AA64-70009G	BADGE-BRAND	AL,SS R800 22,GOLD,L40,-,-,-	1	
1-2	AA64-40495A	WINDOW-REM	OCON;- ,331,501H,-,PC,-,VIOLET,-	1	
1-3	AA64-10768B	KNOB-POWER:-	,331H,TACT,ABS,HB,BLK	1	
1-4	AA61-60003T	SPRING-CS:-,SU	S304,0.5,OD7,H13.5,N5,-,-,-	1	
1-5	AA65-30105A	CLAMP-WIRE	NYLON 66,V2,NTR,15MM,ALL MODE	1	
1-6	AA61-40113A	STOPPER-PCB	501H,HIPS,NTR,HB,-,-	1	
1-7	AA61-40010A	BOSS-WING	- ,HIPS,HB,NTR,-,-	2	
1-8	3001-000003	SPEAKER	3W,16ohm,88+-2dB,180+-36Hz	2	
1-9	6002-000514	SCREW-TAPPING	RH,+ ,2,M4,L15,ZPC(BLK),SWR	4	
1-10	AA64-10767A	KNOB-CONTROL	;-,-,-,ABS,HB,BLK	1	
1-11	6002-000514	SCREW-TAPPING	RH,+ ,2,M4,L15,ZPC(BLK),SWRCH18	1	
1-12	AA64-40496A	INDICATOR-LED	;-,-,-,ACRYL,-,-,-	1	
2	AA03-10003J	CRT-COLOR	;- ,A34KQV42X(B),0MG,14"" ,90DEG,5	1	
2-1	AA60-10050R	SCREW-ASSY	WC,HH,+ ,M5,L31.5,SWRCH18A,ZPC	4	
2-2	AA65-30016A	CLAMP-D,COIL	NYLON-66,V0,NTR,DADH-360 14	4	
3	AA64-31233A	CABINET-BACK	;- ,331H,-,HIPS,HB,BLK,-,-	1	
3-1	AA42-10001V	ANT-ROD	;- ,3S,620mm,BRN,UL/CSA	1	
3-2	6002-000514	SCREW-TAPPING	RH,+ ,2,M4,L15,ZPC(BLK),SWR	4	
4	AA39-10006X	POWER-CORD	;- ,KKP419C,KLCE-2F,2.286MT,3P,	1	

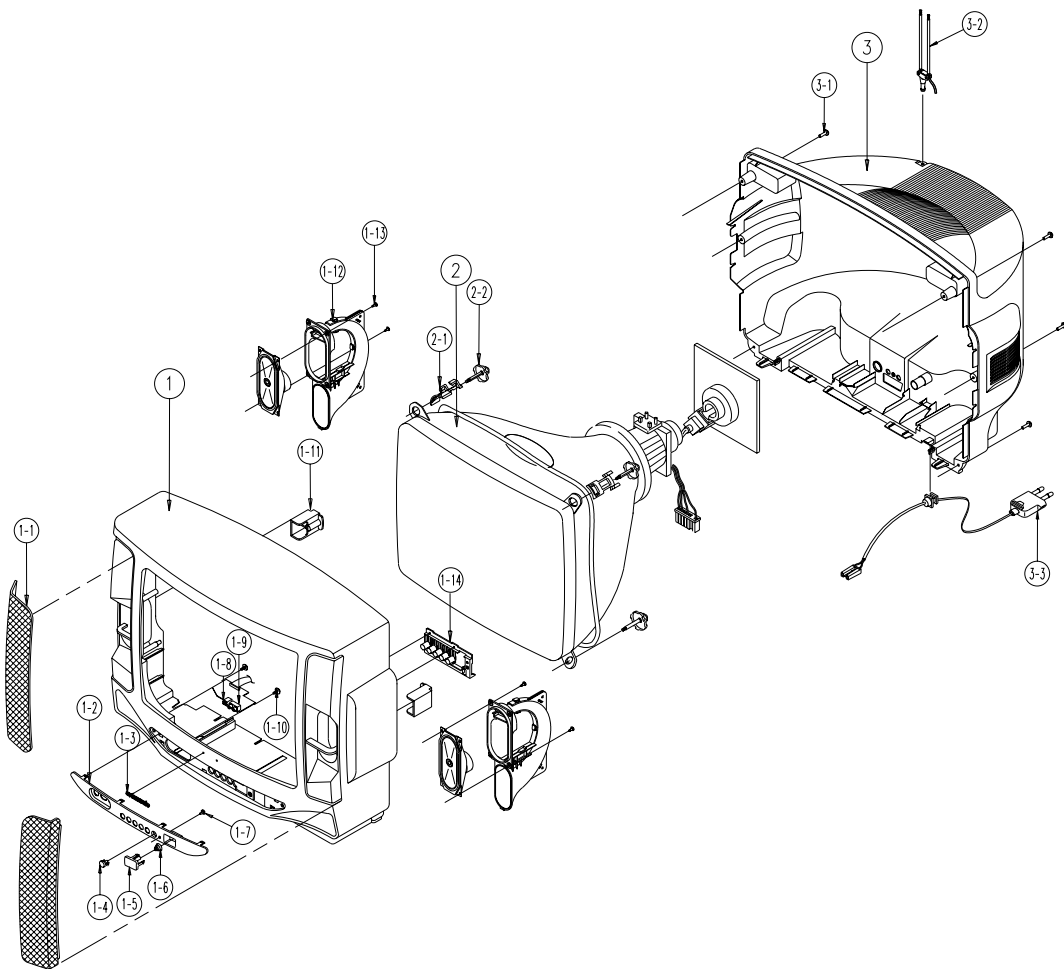


## 6-4 CT501H



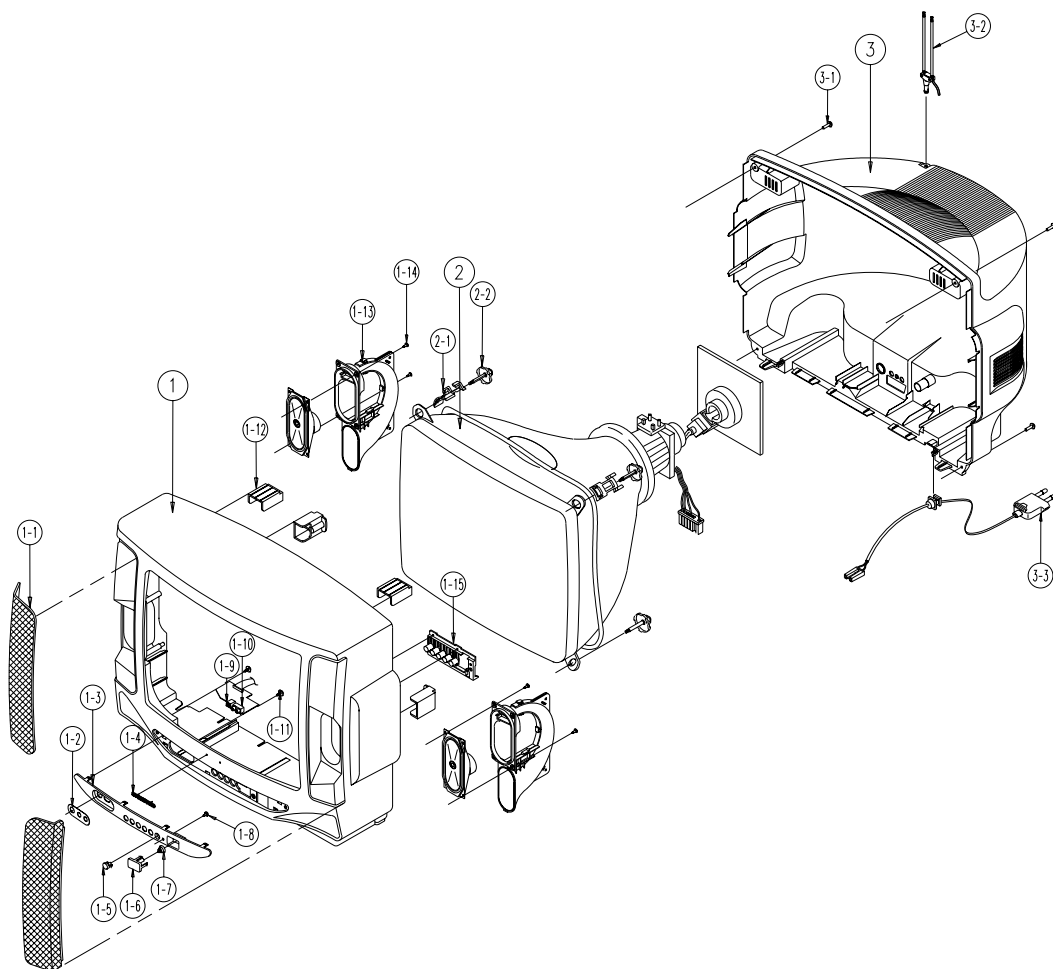
No	Code No	Description	Specification	Q'ty	Remark
1	AA64-31232B	CABINET-FRONT	-.CT-331HB,BK708P HITRON,HIPS,	1	
	AA64-31232E	CABINET-FRONT	-.CT-331HBZ,BK708P EGB,HIPS,HB	1	
1-1	AA64-70009G	BADGE-BRAND	AL,SS R800 22,GOLD,L40,-,-,-	1	
1-2	AA64-40495A	WINDOW-REMOCON	-.331,501H,-,PC,-,VIOLET,-	1	
1-3	AA64-10768B	KNOB-POWER	-.331H,TACT,ABS,HB,BLK	1	
1-4	AA61-60003T	SPRING-CS	-.SUS304,0.5,OD7,H13.5,N5,-,-,	1	
1-5	AA65-30105A	CLAMP-WIRE	NYLON 66,V2,NTR,15MM,ALL MODE	1	
1-6	AA61-40113A	STOPPER-PCB	501H,HIPS,NTR,HB,-,-	1	
1-7	3001-000003	SPEAKER	3W,16ohm,88+-2dB,180+-36Hz	2	
1-8	6002-000514	SCREW-TAPPING	RH,+ ,2,M4,L15,ZPC(BLK),SWR	4	
1-9	AA64-10767A	KNOB-CONTROL	-,-,-,ABS,HB,BLK	1	
1-10	6002-000514	SCREW-TAPPING	RH,+ ,2,M4,L15,ZPC(BLK),SWRCH18	1	
1-11	AA64-40496A	INDICATOR-LED	-,-,-,ACRYL,-,-,-	1	
2	AA03-10003J	CRT-COLOR	-.A34KQV42X(B),0MG,14" , 90DEG,5	1	
2-1	AA60-10050R	SCREW-ASSY	WC,HH,+ ,M5,L31.5,SWRCH18A,ZPC	4	
2-2	AA65-30016A	CLAMP-D,COIL	NYLON-66,V0,NTR,DADH-360 14	4	
3	AA64-31233A	CABINET-BACK	-.331H,-,HIPS,HB,BLK,-,-	1	
3-1	AA42-10001V	ANT-ROD	-.3S,620mm,BRN,UL/CSA	1	
3-2	6002-000514	SCREW-TAPPING	RH,+ ,2,M4,L15,ZPC(BLK),SWR	4	
4	AA39-10006X	POWER-CORD	-.KKP419C,KLCE-2F,2.286MT,3P,	1	

## 6-5 CT3366



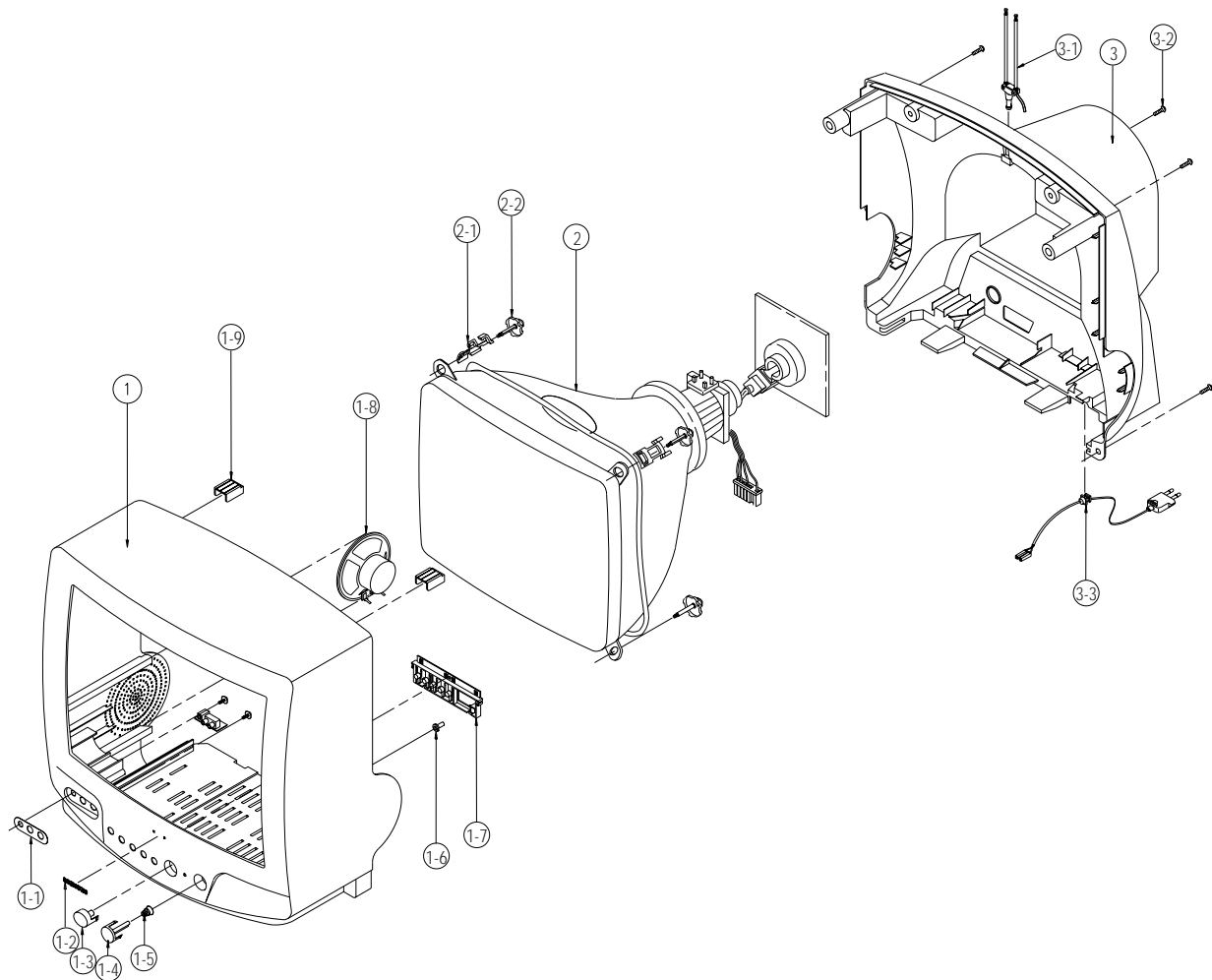
No	Code No	Description	Specification	Q'ty	Remark
1	AA64-30850F	CABINET-FRONT	-,3366,PA100 HITRON BIO,HI	1	
1-1	AA63-50274A	GRILLE-WOOFER	-,3366,PA110,SECC-1,TO.5,-	2	
1-2	AA63-30120N	COVER-CONTROL,A	-,CT-3366BZ,KSP213 EG TV	1	
1-3	AA64-70009G	BADGE-BRAND	AL,SS R800 22,GOLD,L40,-,-,-	1	
1-4	AA64-40360A	WINDOW-REMOCON	-,66,LG41338,ABS,HB,CLR,-	1	
1-5	AA64-10582E	KNOB-POWER	-,3366,TACT,ABS,HB,M/B	1	
1-6	AA61-60003T	SPRING-C	;-SUS304,0.5,OD7,H13.5,N5,-,-,	1	
1-7	AA64-40184A	INDICATOR-LED	-,3373,-,ACRYL,-,-,-	1	
1-8	AA95-90030M	ASSY-PCB,A/V FRONT	-,CT-2139H,KCT15A,NTS	1	
1-9	3722-000506	JACK-RCA	2P,3.6MM,-,AG	1	
1-10	AA60-10002A	SCREW-TAPPING	RH,+M4,L12,ZPC(YEL),-,OD1	2	
1-11	AA61-40010A	BOSS-WING	-,HIPS,HB,NTR,-,-	2	
1-12	AA91-60301A	ASSY-HOLDER,SPK	-,8ohm6W,R550L350,4P/RBY	1	
1-13	6002-000522	SCREW-TAPPING;TH	+,2,M4,L15,ZPC(BLK),SWR	4	
1-14	AA64-10559B	KNOB-CONTROL	-,66,-,ABS,HB,M/B	1	
2	AA03-10001Z	CRT-COLOR	-,A34KQV42X(B),+380MG,14,90DE	1	
2-1	AA60-10050R	SCREW-ASSY	WC,HH,+M5,L31.5,SWRCH18A,ZPC	4	
2-2	AA65-30106A	CLAMP-D,COIL	NYLON 66,V2,NTR,-,14 INCH,-	2	
3	AA64-30851A	CABINET-BACK	-,HIPS,HB,-,-,BLK,-,3366	1	
3-1	6002-000514	SCREW-TAPPING	RH,+2,M4,L15,ZPC(BLK),SWR	6	
3-2	AA42-10001V	ANT-ROD	-,3S,620mm,BRN,UL/CSA	1	
3-3	AA39-10006X	POWER-CORD	-,KKP419C,KLCE-2F,2.286MT,3P,	1	

## 6-6 CT5066



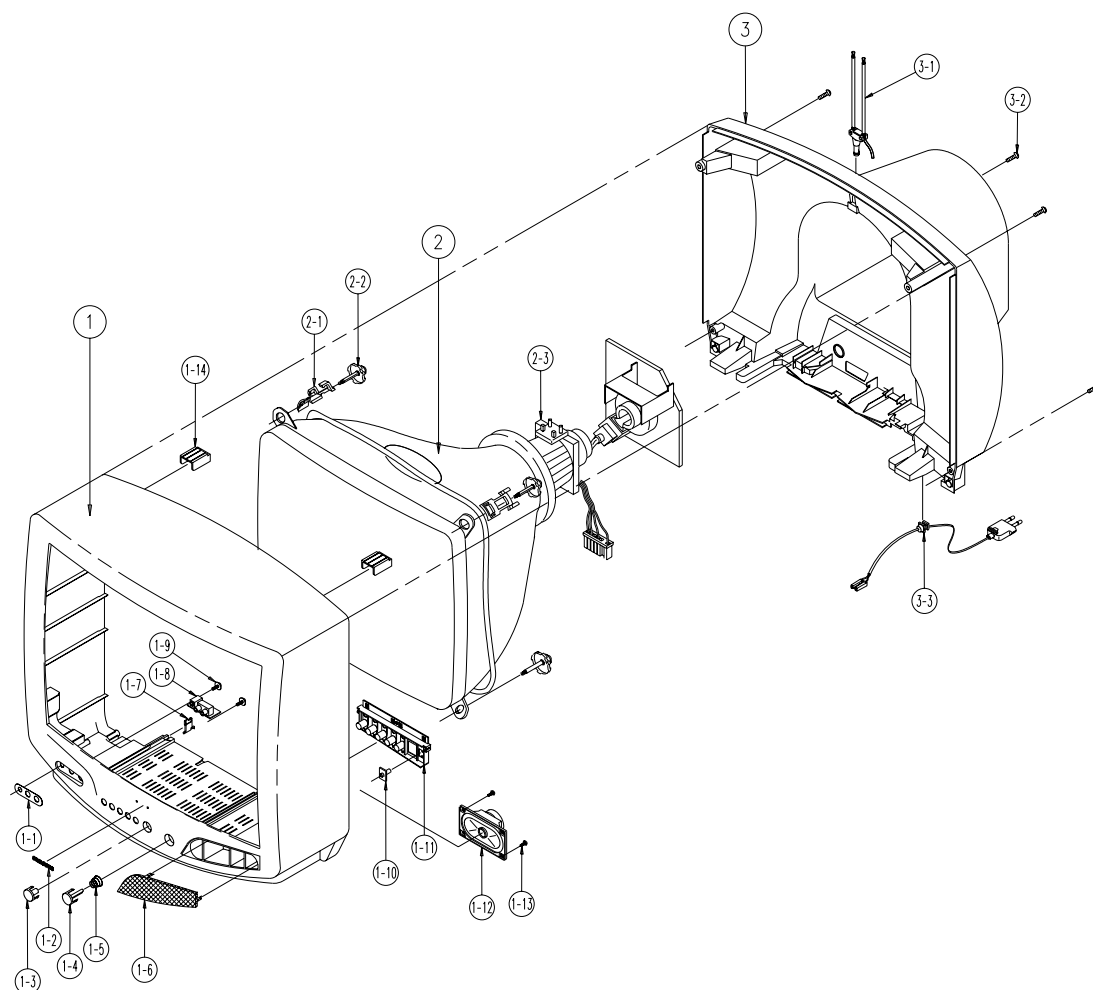
No	Code No	Description	Specification	Q'ty	Remark
1	AA64-30678K	CABINET-FRONT	-.5066,BK-708P AMER B TVI,HIPS	1	
1-1	AA63-50196A	GRILLE-WOOFER	-.5066,PA110,SECC,T0.5,-,-	2	
1-2	AA64-60284F	INLAY-AV	50.5366.KSP213 TVI NT EG,PS,T0	1	
1-3	AA63-30072Z	COVER-CONTROL,A	-.CT-5066BZ,KSP213 EG,HIPS,VO,	1	
1-4	AA64-70010D	BADGE-BRAND	AL,SS R2000 25,GOLD,L50,-,-,-	1	
1-5	AA64-40360A	WINDOW-REMOCON	-.66.LG41338,ABS,HB,CLR,-	1	
1-6	AA64-10560E	KNOB-POWER	-.38.5066,TACT,ABS,HB,M/B	1	
1-7	AA61-60003T	SPRING-CS	,SUS304,0.5,OD7,H13.5,N5,-,-,	1	
1-8	AA64-40184A	INDICATOR-LED	-.3373,-,ACRYL,-,-,-	1	
1-9	3722-000506	JACK-RCA	;2P,3.6MM,-,AG	1	
1-10	AA95-90032S	ASSY-PCB,A/V FRONT	-.5066,K15A,NTSC,-,-	1	
1-11	AA60-10002A	SCREW-TAPPING	RH,+ ,M4,L12,ZPC(YEL),-,OD1	2	
1-12	AA61-40015A	BOSS-CABINET	-,HIPS,HB,NTR,-,-	4	
1-13	AA91-60302A	ASSY-HOLDER,SPK	-.8ohm6W,R700L350,4P/RBYB,5066	1	
1-14	6002-000522	SCREW-TAPPING	TH,+ ,2,M4,L15,ZPC(BLK),SWR	4	
1-15	AA64-10559B	KNOB-CONTROL	-.66,-,ABS,HB,M/B	1	
2	AA03-10029Z	CRT-COLOR	-.A48KR82X(HB),+380mG,20,90d	1	XAP
	AA03-10030L	CRT-COLOR	-.A48KR82X(HB),0mG,20,90deg,	1	STR
2-1	AA60-10050R	SCREW-ASSY	WC,HH,+ ,M5,L31.5,SWRCH18A,ZPC	4	
2-2	AA65-30107A	CLAMP-D,COIL	NYLON 66,V2,NTR,-,20-22 INCH,-	4	
2-3	3704-001090	SOCKET-CRT	9P,15.24PI,26.5PI,SN,-	1	
3	AA64-30680B	CABINET-BACK	-.5066,-,HIPS,HB,BLK,-,-	1	
3-1	6002-000514	SCREW-TAPPING	RH,+ ,2,M4,L15,ZPC(BLK),SWR	6	
3-2	AA42-10001V	ANT-ROD	;-,3S,620mm,BRN,UL/CSA	1	
3-3	AA39-10006X	POWER-CORD	-.KKP419C,KLCE-2F,2.286MT,3P,	1	

## 6-7 CT3338



No	Code No	Description	Specification	Q'ty	Remark
1	AA64-30151W	CABINET-FRONT	-,CT3338Z,PA100 HITRON EG,	1	
1-1	AA64-60161Q	INLAY-AV	V-MODEL,NTSC TVI EG,PS,T0.3,BL	1	
1-2	AA64-70009G	BADGE-BRAND	AL,SS R800 22,GOLD,L40,-,-,-	1	
1-3	AA64-40057A	WINDOW-REMOCON	-,3338,-,PC,V0,VIOLET,-	1	
1-4	AA64-10153B	KNOB-POWER,T	-,3338,SILK,ABS,HB,BLK	1	
1-5	AA61-60003J	SPRING-CS	-,SUS304,0.5,OD6,H12,N7,-,-,-	1	
1-6	AA64-40189A	INDICATOR-LED	-,3338,-,ACRYL,-,-,-	1	
1-7	AA64-10052A	KNOB-CONTROL	-,3338,-,ABS,HB,BLK	1	
1-8	3001-000281	SPEAKER	2.5W,8ohm,90dB,140Hz	1	
1-9	AA61-40010A	BOSS-WING	-,HIPS,HB,NTR,-,-	2	
2	AA03-10001D	CRT-COLOR	-,A34KQV42X,+380MG,14,90DEG,5	1	
2-1	AA65-30106A	CLAMP-D.COIL	NYLON 66,V2,NTR,-,14 INCH,-	2	
2-2	AA60-10050Q	SCREW-ASSY	WC,HH,+M5,L26.5,SWRCH18A,ZPC	4	
2-3	3704-001089	SOCKET-CRT	7P,22.5PI,12PI,SN,-	1	
3	AA64-30381B	CABINET-BACK	-,3338,73,-,HIPS,HB,BLK,-,-	1	
3-1	AA42-10001V	ANT-ROD	-,3S,620mm,BRN,UL/CSA	1	
3-2	6002-000514	SCREW-TAPPING	RH,+2.M4,L15,ZPC(BLK),SWR	4	
3-3	AA39-10006X	POWER-CORD	-,KKP419C,KLCE-2F,2.286MT,3P,	1	

## 6-8 CT5038



No	Code No	Description	Specification	Q'ty	Remark
1	AA64-31263B	CABINET-FRONT	-.CT5038Z,PA100 HITRON,HIPS,HB	1	
1-1	AA64-60161Q	INLAY-AV	V-MODEL,NTSC TV1 EG,PS,TO.3,BL	1	
1-2	AA64-70015B	BADGE-BRAND	AL,SS R2000 22,GOLD,L45,-,-,-	1	
1-3	AA64-40085A	WINDOW-REMOCON	-.5038,-,PC,V0,VIOLET,-	1	
1-4	AA64-10187B	KNOB-POWER,T	-.5038,SILK,ABS,HB,BLK	1	
1-5	AA61-60003J	SPRING-CS	-.SUS304,0.5,OD6,H12,N7,-,-,-	1	
1-6	AA63-50056A	GRILLE-WOOFER	-.5038,PA110,SECC,TO.5,-,-	1	
1-7	AA61-40007A	STOPPER-PCB	5038.5368,ABS HB,NTR,-,-,-	1	
1-8	AA95-90030M	ASSY-PCB,A/V FRONT	-.CT-2139H,KCT15A,NTS	1	
1-9	AA60-10002A	SCREW-TAPPING	RH,+M4,L12,ZPC(YEL),-,OD1	2	
1-10	AA64-40188A	INDICATOR-LED	-.5038,-,ACRYL,-,-,-	1	
1-11	AA64-10050A	KNOB-CONTROL	-.5038,-,ABS,HB,BLK	1	
1-12	3001-000191	SPEAKER	3W,8ohm,90dB,180Hz	1	
1-13	6002-000514	SCREW-TAPPING	RH,+2,M4,L15,ZPC(BLK),SWRCH18	2	
1-14	AA61-40010A	BOSS-WING	-.HIPS,HB,NTR,-,-	2	
2	AA03-10029Y	CRT-COLOR	-.A48KRD82X(H),-380mG,20,90de	1	
2-1	AA65-30107A	CLAMP-D,COIL	NYLON 66,V2,NTR,-,20-22 INCH,-	4	
2-2	AA60-10050R	SCREW-ASSY	WC,HH,+M5,L31.5,SWRCH18A,ZPC	4	
2-3	AA27-50004W	DEFLECTION-YOKE	-.DSE-1992LL(1H),20/A48KRD82X	1	
3	AA64-30375B	CABINET-BACK	-.5073,38,-,HIPS,HB,BLK,-,-	1	
3-1	AA42-10001V	ANT-ROD	-.3S,620mm,BRN,UL/CSA	1	
3-2	6002-000514	SCREW-TAPPING	RH,+2,M4,L15,ZPC(BLK),SWR	4	
3-3	AA39-10006X	POWER-CORD	-.KKP419C,KLCE-2F,2.286MT,3P,	1	

---

## 7. Electric Parts List

---

7-1	Part Differences (by screen size) .....	7-1
7-2	CT331EBZX/STR (CT331EBZX/GSU AND CT331EBZX/STR Dissimilar Parts).....	7-9
7-3	CT331HX/SPL (CT331EBZX/GSU AND CT331HX/SPL Dissimilar Parts) .....	7-9
7-4	CT331HBX/DIS (CT331EBZX/GSU AND CT331HBX/DIS Dissimilar Parts) .....	7-10
7-5	CT331HBZX/DIS (CT331EBZX/GSU AND CT331HBZX/DIS Dissimilar Parts) .....	7-10
7-6	CT501EBZX/GSU (CT331EBZX/GSU AND CT501EBZX/GSU Dissimilar Parts).....	7-11
7-7	CT501EBZX/STR (CT331EBZX/GSU AND CT501EBZX/STR Dissimilar Parts).....	7-11
7-8	CT501EBZX/XAP (CT331EBZX/GSU AND CT501EBZX/XAP Dissimilar Parts) .....	7-12
7-9	CT501HX/SPL (CT331EBZX/GSU AND CT501HX/SPL Dissimilar Parts) .....	7-13
7-10	CT331EBZX/GSU .....	7-14
7-11	CT5066BZX/STR (CT3366BZX/XAP AND CT5066BZX/STR Dissimilar Parts) .....	7-18
7-12	CT5066BZX/XAP (CT3366BZX/XAP AND CT5066BZX/XAP Dissimilar Parts) .....	7-19
7-13	CT3366BZX/STR (CT3366BZX/XAP AND CT3366BZX/STR Dissimilar Parts) .....	7-19
7-14	CT3366BZX/XAP .....	7-20
7-15	CT5038ZX/GSU (CT3338ZX/XAP AND CT5038ZX/GSU Dissimilar Parts) .....	7-25
7-16	CT5038ZX/XAP (CT3338ZX/XAP AND CT5038ZX/XAP Dissimilar Parts) .....	7-25
7-17	CT3338ZX/XAP .....	7-26

## 7-1 Part Differences (by screen size)

No.	Loc. No.	INC H	U.S.A		LATIN		REMARK
			SPECIFICATION	CODE No.	SPECIFICATION	CODE No.	
1	CRT	14"	A34KQV42X,+380mG,14"	AA03-10001D			
		20"	A48KRD82X(H),+380mG,21"	AA03-10029W			
2	DY	14"	DSE-1422FL,14"	AA27-50001K	←		
		20"	DSE -1992LL1(H),20"	AA27-50004W	←		
3	CY	14"	22.5MM	AA27-60001E	←		
		20"	-,JH-291-(JH-8210)	AA27-60001D	←		
4	V999	14"	7P,22.5PI,12PI,S,N	3704-001089	←		
		20"	9P,15.24PI,26.5PI,S,N,-	3704-001090	←		CRT SOCKET
5	T444	14"	-,FSV-14A001,14",125V	AA26-30004H	←		B/R
		20"	-,FSV-20A001,20",125V	AA26-30001Y	←		B/R
6	CN802	14"	14",16.4ohm,75T	AA27-20003U	←		D-COIL
		20"	20" JAPAN 6.2Ω	AA27-20003F	20",14.4ohm,48T	AA27-20003X	
7	TBC- WIRE	14"	14" 1P	AA98-70014A	←		
		20"	20" 1P	AA98-70014B	←		
8	ASSY- CRT	14"	A34KQV42X,+380mG,14",BARE	AA94-50014P			
		20"	A48KRD82X(H),+380MG,20",BARE	AA94-50019X			

7-1-1 Inch Option

No.	Loc. No.	INC H	U.S.A		LATIN		REMARK
			SPECIFICATION	CODE No.	SPECIFICATION	CODE No.	
1	C402	14"	C-C 722 1.6KV	2306-000253	←	←	HORIZONTAL CT CAPACITOR
		20"	C-C 742 1.6KV	2306-000355	←	←	HORIZONTAL CT CAPACITOR
2	C403	14"	C-C 331 2KV	2201-000467	←	←	HORIZONTAL CT CAPACITOR
		20"	C-C 271 2KV	2201-000406	←	←	HORIZONTAL CT CAPACITOR
3	C404	14"	C-MPP 334 250V	2306-000004	←	←	HORIZONTAL CS CAPACITOR
		20"	C-MPP 364 200V	2306-000193	←	←	HORIZONTAL CS CAPACITOR
4	L401	14"	195uH	AA27-30001B	←	←	LINEARITY COIL
		20"	195uH	AA27-30001B	←	←	LINEARITY COIL
5	R404	14"	R-C 22-J 1/2T	2001-000020	←	←	HDT B+ RESISTOR
		20"	R-C 36-J 1/2T	2001-001136	←	←	HDT B+ RESISTOR
6	R411	14"	R-M 120K-F 1/2T	2004-001377	←	←	ABL RESISTOR
		20"	R-M 100K-F 1/2T	2004-001373	←	←	ABL RESISTOR
7	R412	14"	R-M 120K-F 1/2T	2004-001377	←	←	ABL RESISTOR
		20"	R-M 100K-F 1/2T	2004-001373	←	←	ABL RESISTOR
8	R413	14"	R-C 0.39-K 1/2T	2001-003019	←	←	KSD5386 OPTION
		20"	JUMPER	3812-000219	←	←	KSD5386 OPTION
9	C301	14"	C-P 273 100V	2301-000226	←		
		20"	C-P 223 100V	2301-000223	←		
10	C302	14"	C-C 471 50V	2201-000556	C-C 561 50V	2201-000599	
		20"	C-C 471 50V	2201-000556	←		
11	C304	14"	C-E 1uF 50V HR	2401-000553	←		
		20"	C-E 1uF 50V HR	2401-000553	←		
12	C305	14"	C-P 473 100V	2305-000427	←		
		20"	C-P 683-J 50V	2301-000310	C-P 104 100V	2305-000149	



No.	Loc. No.	INC H	U.S.A		LATIN		REMARK
			SPECIFICATION	CODE No.	SPECIFICATION	CODE No.	
13	C311	14"	C-E 0.47uF 50V	2401-001333	←		
		20"	C-E 0.47uF 50V	2401-001333	←		
14	R303	14"	R-C 56K-J 1/8T	2001-000864	←		
		20"	R-C 62K-J 1/8T	2004-001990	←		
15	R304	14"	R-M.O 2W 3.3-J	2003-001036	←		
		20"	R-M.O 1W 1.5-J	2003-000436	←		
16	CN501	14"	8P 300MM	AA39-20109D	←		
		20"	8P 400MM	AA39-20109A	←		
17	R305	14"	R-C 33K-J 1/8T	2001-000660	←		
		20"	R-M 7.5K-J 1/8T	2004-001213	←		
18	R306	14"	R-M 82K-J 1/8T	2004-001301	←		
		20"	R-C 43K-J 1/8T	2001-000766	←		
19	R307	14"	R-C 36K-J 1/8T	2001-000679	←		
		20"	R-C 56K-J 1/8T	2001-000864	←		
20	R308	14"	R-C 30K-J 1/8T	2001-000633	←		
		20"	R-M 62K-J 1/8T	2004-001990	←		
21	R309	14"	R-M.O 330-J 1W	2003-000649	←		
		20"	R-M.O 510-J 1W	2003-001043	←		
22	R518	14"	R-F 2W 1.0	2008-000266	R-F 2W 1.5	2008-001015	
		20"	"	"	R-F 2W 1.0	2008-000266	
23	R518A	14"	R-F 2W 1.5	2008-000257	X	X	
		20"	"	"	X	X	
24	J504	14"	X	X	JUMPER	3812-000219	
		20"	X	X	JUMPER	3812-000219	

No.	Loc. No.	INC H	U.S.A		LATIN		REMARK
			SPECIFICATION	CODE No.	SPECIFICATION	CODE No.	
25	C216	14"	C-C 20pF(CH)	2201-000354	←		
		20"	C-C 20pF(CH)	2201-000354	X	X	
26	R204	14"	R-C 820-J 1/8T	2004-000995	←		
		20"	R-C 1.2K-J 1/8T	2001-000221	←		
27	R205	14"	R-C 820-J 1/8T	2004-000995	←		
		20"	R-C 1.2K-J 1/8T	2001-000221	←		
28	R206	14"	R-C 820-J 1/8T	2004-000995	←		
		20"	R-C 1.2K-J 1/8T	2001-000221	←		
29	R214	14"	R-C 10K-J 1/8T	2001-000290	←		
		20"	R-C 12K-J 1/8T	2001-000331	←		
30	R222	14"	R-C 470K-J 1/8T	2001-000773	←		DELETE (INCH DOES NOT MATTER : CHANGED TO 4570K)
		20"	R-C 470K-J 1/8T	2001-000773	←		
31	R226	14"	R-C 180K-J 1/8T	2001-000397	←		
		20"	R-C 220K-J 1/8T	2001-000508	←		
32	R257	14"	R-F 1/2W 0.47	2008-000252	R-F 2W 1.0	2008-000266	
		20"	"	"	"	"	
33	RH01	14"	X	X	X	X	
		20"	R-COMP 4.7K1/2T	2002-001006	←	←	
34	RH02	14"	X	X	X	X	
		20"	R-COMP 4.7K1/2T	2002-001006	←	←	
35	RM01	14"	R-COMP 4.7K1/2T	2002-001006	←	←	
		20"	X	X	X	X	
36	RM02	14"	R-COMP 4.7K1/2T	2002-001006	←	←	
		20"	X	X	X	X	
37	T444	14"	FSV-14A001,14",125V	AA26-30004H	←	←	
		20"	FSV-20A001,14",125V	AA26-30001Y	←	←	

## 7-1-2 AC Input Option

No.	Loc. No.	AC 110V ONLY		FREE VOLT		REMARK
		SPECIFICATION	CODE No.	SPECIFICATION	CODE No.	
1	C801	C-E:220uF 200V	2401-000822	C-E:220uF 400V	2401-002298	110V/FREE VOLT
2	C804	C-C 400V 222	2201-000987	C-C 400V 332	2201-000446	COUNTERMEASURE ON SMPS NOISE
3	C819	C-C 400V 102	2201-000963	X	X	COUNTERMEASURE ON SMPS NOISE
4	IC801	STR S0765	AA96-50395A	STR S0680	AA96-50298D	VOLTAGE DIFFERENCE (110V/220)
5	R802	R-M,OXIDE 36K1W	2003-002119	R-M,OXIDE 2W33K	2003-000994	VOLTAGE DIFFERENCE (SINGLE VOLT/FREE VOLT)
6	R803	R-M,OXIDE 36K1W	2003-002119	R-M,OXIDE 2W33K	2003-000994	VOLTAGE DIFFERENCE (SINGLE VOLT/FREE VOLT)
7	T801	EER2834	AA27-20007L	EER354311	AA27-20006U	TRANS

## 7-1-3 Relay Option

No.	Loc. No.	RELAY USED		RELAY DELETE		REMARK
		SPECIFICATION	CODE No.	SPECIFICATION	CODE No.	
1	CU10	C-E 220uF 25V	2401-000832	X	X	RELAY OPTION
2	J153	X	X	JUMPER	3812-000219	APPLIED WHEN DELETING RELAY
3	JU14	JUMPER	3812-000219	X	X	RELAY OPTION
4	JWU02	X	X	JUMPER	3812-000219	ADDED WHEN DELETING RELAY
5	L910	FERRIE BEAD	2901-000299	X	X	RELAY
6	QU10	TR C2331-Y	0501-000369	X	X	RELAY OPTION
7	P801	X	X	POSISTOR 7BÝ 3P	1404-001048	POSISTOR FREE VOLT
8	P801A	POSISTOR 7BÝ 2P	1404-000208	X	X	POSISTOR SINGLE VOLT (110V)
9	RLU01	RELAY:HR-CR13	3501-001040	X	X	RELAY OPTION
10	RU11	R-C 4.7K-J 1/8T	2001-000734	X	X	RELAY OPTION
11	RU12	R-C 10K-J 1/8T	2001-000290	X	X	RELAY OPTION
12	RU13	R-C 33-J 1/2T	2001-000022	X	X	RELAY OPTION
13	DU01	DIODE 1N4004	0402-000132	X	X	RELAY OPTION

## 7-1-4 X-Ray Option

No.	Loc. No.	X-RAY USED		X-RAY DELETE		REMARK
		SPECIFICATION	CODE No.	SPECIFICATION	CODE No.	
1	CX01	C-C 103 25V	2202-000127	X	X	X-RAY
2	CX02	10uF 50V	2401-000480	X	X	X-RAY
3	CX03	10uF 50V	2401-000480	X	X	X-RAY
4	CX04	471 500V	2201-000556	X	X	X-RAY
5	DX01	MTZ6.2B	0403-000297	X	X	X-RAY
6	DX02	1N4004 400V	0402-000132	X	X	X-RAY
7	JX01	JUMPER	3812-000219	X	X	X-RAY
8	QX01	KSA539-Y	0501-000283	X	X	X-RAY
9	RX01	R-C 180K 1/8T	2001-000397	X	X	X-RAY
10	RX02	R-C 18K 1/8T	2001-000411	X	X	X-RAY
12	RX03	R-M 4.3K-F 1/2T	2004-001987	X	X	X-RAY
13	RX04	R-M 11K-F 1/2T	2004-001376	X	X	X-RAY
14	RX05	R-C 22K 1/8T	2001-000522	X	X	X-RAY
15	RX07	JUMPER	3812-000219	X	X	X-RAY
16	RX08	R-C 51K 1/8T	2001-000837	X	X	X-RAY
17	JWX01	X	X	JUMPER	3812-000219	ADDED WHEN DELETING X-RAY

## 7-1-5 Sound Option (MONO/DUAL)

No.	Loc. No.	-73, -38, -1F SYSTEM (1 SPK / 1 AMP)		-1H SYSTEM (2 SPKS / 1 AMP)		-39,-85,-66,-1E,-3E SYSTEM ( 2 SPKS / 2 AMPS)		REMARK
		SPECIFICATION	CODE No.	SPECIFICATION	CODE No.	SPECIFICATION	CODE No.	
1	IC602	X	X	X	X	ASSY-H/S LA4425	AA96-50392A	WHEN USING 2 AMPS
2	C652	X	X	X	X	2.2uF 50V	2401-000660	WHEN USING 2 AMPS
3	C655	X	X	X	X	470uF 16V	2401-001363	WHEN USING 2 AMPS
4	JDW1	X	X	X	X	JUMPER	3812-000219	SOUND L OUT
5	JAW04	X	X	X	X	JUMPER	3812-000219	SOUND L OUT
6	CN603	POST HEADER 3P	3711-002642	X	X	X	X	3P WHEN USING 1 SPEAKER
7	CN601	X	X	POST HEADER 4P	3711-002643	POST HEADER 4P	3711-002643	4P WHEN USING 2 SPEAKERS
<b>7-1-6 Front A/V Option</b>							X	SOUND R/L CONNECTED
9	D814	RG10V 400V	0402-000534	RG10V 400V	0402-000534	RK16	0404-001056	RK16 WHEN USING 2 AMPS
10	R604	R-C 2.2K 1/8T	2001-000449	←	←	R-C 3.3K 1/8T	2001-000591	3.3K 1/8T WHEN USING 2 AMPS

No.	Loc. No.	SPECIFICATION	CODE No.	F-A/V DELETE		F-A/V USED		REMARK
				-1F SYSTEM	-1H SYSTEM	OTHER CABINET		
1	F-A/V	DELETE EARPHONE A/V	AA95-90030M	X		0		DELETE EARPHONE (FROM THE EXISTING F/A/V)
2	CN701	POST HEADER 7P	3711-002646	X		0		ADDED WHEN USING F-A/V
3	JAW01	JUMPER	3812-000219	0		X		ADDED WHEN DELETING F/A/V
4	JAW02	JUMPER	3812-000219	0		X		ADDED WHEN DELETING F/A/V


## 7-2 CT331EBZX/STR (CT331EBZX/GSU AND CT331EBZX/STR Dissimilar Parts)

Loc. No.	Code No.	Description ; Specification	Remark	Loc. No.	Code No.	Description ; Specification	Remark
<b>ASSY-PCB,MAIN</b>				<b>ASSY-CABINET</b>			
*	AA94-10139Z	ASSY-PCB,MAIN(OPT);CT331EBZX/STR,K15A,PERU,-		*	AA90-70044N	ASSY-CABINET;331E,CT331EBZX/STR	
<b>ASSY-CRT</b>				<b>ASSY-ACCESSORY</b>			
*	AA94-50013W	ASSY-CRT;A34KQV42X(B),0mG,14,BARE,CN33		*	AA94-30077Z	ASSY-ACCESSORY;CT3366BZX/STR,K15A,PERU	
	AA03-10003J	CRT-COLOR;-;A34KQV42X(B),0MG,14,90DEG,5					


## 7-3 CT331HX/SPL (CT331EBZX/GSU AND CT331HX/SPL Dissimilar Parts)

Loc. No.	Code No.	Description ; Specification	Remark	Loc. No.	Code No.	Description ; Specification	Remark
<b>ASSY-PCB,MAIN</b>				<b>ASSY-CABINET</b>			
*	AA94-10134X	ASSY-PCB,MAIN(OPT);CT331HX/SPL,KCT15A,JUNGNAMMI			AA90-70110B	ASSY-CABINET;331H,CT331HBZX/DIS	
C409	2401-000832	C-AL;220uF,20%,25V,GP,TP,8x11.5,5mm			AA63-60124A	SPACER-FBT;RUBBER,T1.5,BLK,P111*10,331H,-	
C810	2305-000665	C-FILM,MPEF;100nF,5%,63V,TP,7.5x4.0x5.0mm,			AA64-31233A	CABINET-BACK;-;331H,-;HIPS,HB,BLK,-,-	
CLAMP/F	AA65-30109A	CLAMP-FBT;NYLON-66,V2,BLK,-,-,-			AA65-30106A	CLAMP-D,COIL;NYLON 66,V2,NTR,-,14 INCH,-	
CLAMP/W	AA65-30104C	CLAMP-WIRE;NYLON 66,V2,NTR,W1 Z4,ALL MODE		<b>ASSY-CABINET,FRONT</b>			
D814	0402-000534	DIODE-RECTIFIER;RG10V,400V,1.2A,DO-201,TP			AA91-10371B	ASSY-CABINET,FRONT;-;CT-331HB,BK708P HITRON,HB,BL	
IC901	AA13-30019MIC	MCU;-;Z8933412PSC-R3716,16BIT,SDIP					
JA701	3722-000162	JACK-PIN;2P,3.4mm,SN,BLACK,-		KNOPOW	AA61-60003T	SPRING-CS;-;SUS304,0.5,OD7,H13.5,N5,-,-,	
△ Q401	0502-001115	TR-POWER;KSC5386,NPN,50W,TO-3PF,ST,8-			AA64-10767A	KNOB-CONTROL;-,-,-,ABS,HB,BLK	
R604	2001-000449	R-CARBON;2.2Kohm,5%,1/8W,AA,TP,1.8x3.2mm			AA64-10768B	KNOB-POWER;-;331H,TACT,ABS,HB,BLK	
R936	2001-000429	R-CARBON;1Kohm,5%,1/8W,AA,TP,1.8x3.2mm			AA64-31232B	CABINET-FRONT;-;CT-331HB,BK708P HITRON,HIPS,	
<b>ASSY-CRT</b>				<b>ASSY-SPEAKER</b>			
*	AA94-50013W	ASSY-CRT;A34KQV42X(B),0mG,14,BARE,CN33		*	AA96-10138A	ASSY-SPEAKER;-;16ohm,3W,00003,AA3920505N,L3	
△ CRT	AA03-10003J	CRT-COLOR;-;A34KQV42X(B),0MG,14,90DEG,5		SPK	3001-000003	SPEAKER;3W,16ohm,88+-2dB,180+-36Hz	

## 7-4 CT331HBX/DIS (CT331EBZX/GSU AND CT331HBX/DIS Dissimilar Parts)

Loc. No.	Code No.	Description ; Specification	Remark	Loc. No.	Code No.	Description ; Specification	Remark
<b>ASSY-PCB,MAIN</b>				<b>ASSY-CABINET,FRONT</b>			
	AA94-10133E	ASSY-PCB,MAIN(OPT);CT331HBX/DIS,KCT15A,BOLIVIA,-			AA91-10371B	ASSY-CABINET,FRONT;- ,CT-331HB,BK708P HITRON,HB,BL	
D814	0402-000534	DIODE-RECTIFIER;RG10V,400V,1.2A,DO-201,TP			AA61-40113A	STOPPER-PCB;501H,HIPS,NTR,HB,-,-	
R604	2001-000449	R-CARBON;2.2Kohm,5%,1/8W,AA,TP,1.8x3.2m		KNOPOW	AA61-60003T	SPRING-CS;- ,SUS304,0.5,OD7,H13.5,N5,-,-,-	
C409	2401-001998	C-AL;1000uF,20%,25V,GP,TP,10x20,5mm			AA64-10767A	KNOB-CONTROL;-,-,-,ABS,HB,BLK	
J601	3812-000219	WIRE-NO SHEATH CU;TCWA,300V,52mm(TAPING),1/0.6mm			AA64-10768B	KNOB-POWER;- ,331H,TACT,ABS,HB,BLK	
NT0561	AA68-50067A	LABEL-RATING;T/P 90(G),T0.2,-,-,-,-,ALL			AA64-31232B	CABINET-FRONT;- ,CT-331HB,BK708P HITRON,HIPS,	
<b>ASSY-CRT</b>				<b>ASSY-SPEAKER</b>			
*	AA94-50013W	ASSY-CRT;A34KQV42X(B),0mG,14,BARE,CN33		*	AA96-10138A	ASSY-SPEAKER;- ,16ohm,3W,00003,AA3920505N,L3	
	AA03-10003J	CRT-COLOR;- ,A34KQV42X(B),0MG,14,90DEG,5			3001-000003	SPEAKER;3W,16ohm,88+-2dB,180+-36Hz	
<b>ASSY-CABINET</b>							
	AA90-70110B	ASSY-CABINET;331H,CT331HBZX/DIS					
	AA63-60124A	SPACER-FBT;RUBBER,T1.5,BLK,PI11*10,331H,-					
	AA64-31233A	CABINET-BACK;- ,331H,-,HIPS,HB,BLK,-,-					
	AA65-30106A	CLAMP-D,COIL;NYLON 66,V2,NTR,-,14 INCH,-					
KC+CF	6002-000514	SCREW-TAPPING;RH,+ ,2,M4,L15,ZPC(BLK),SWRCH18					

## 7-5 CT331HBZX/DIS (CT331EBZX/GSU AND CT331HBZX/DIS Dissimilar Parts)

Loc. No.	Code No.	Description ; Specification	Remark	Loc. No.	Code No.	Description ; Specification	Remark
<b>ASSY-PCB,MAIN</b>				<b>ASSY-CABINET,FRONT</b>			
	AA94-10133E	ASSY-PCB,MAIN(OPT);CT331HBX/DIS,KCT15A,BOLIVIA,-			AA91-10371E	ASSY-CABINET,FRONT;- ,CT-331HBX,BK708P EGB,HB,BLK	
D814	0402-000534	DIODE-RECTIFIER;RG10V,400V,1.2A,DO-201,TP			AA61-40113A	STOPPER-PCB;501H,HIPS,NTR,HB,-,-	
R604	2001-000449	R-CARBON;2.2Kohm,5%,1/8W,AA,TP,1.8x3.2m		KNOPOW	AA61-60003T	SPRING-CS;- ,SUS304,0.5,OD7,H13.5,N5,-,-,-	
<b>ASSY-CRT</b>				<b>ASSY-SPEAKER</b>			
*	AA94-50013W	ASSY-CRT;A34KQV42X(B),0mG,14,BARE,CN33		*	AA96-10138A	ASSY-SPEAKER;- ,16ohm,3W,00003,AA3920505N,L3	
	AA03-10003J	CRT-COLOR;- ,A34KQV42X(B),0MG,14,90DEG,5			3001-000003	SPEAKER;3W,16ohm,88+-2dB,180+-36Hz	
<b>ASSY-CABINET</b>							
	AA90-70110B	ASSY-CABINET;331H,CT331HBZX/DIS					
	AA63-60124A	SPACER-FBT;RUBBER,T1.5,BLK,PI11*10,331H,-					
	AA64-31233A	CABINET-BACK;- ,331H,-,HIPS,HB,BLK,-,-					
	AA65-30106A	CLAMP-D,COIL;NYLON 66,V2,NTR,-,14 INCH,-					

## 7-6 CT501EBZX/GSU (CT331EBZX/GSU AND CT501EBZX/GSU Dissimilar Parts)

Loc. No.	Code No.	Description ; Specification	Remark	Loc. No.	Code No.	Description ; Specification	Remark
		<b>ASSY-PCB,MAIN</b>				<b>ASSY-CRT</b>	
*	AA94-10140A	ASSY-PCB,MAIN(OPT);CT501EBZX/GSU,K15A,BOLIVIA,-		*	AA94-50020K	ASSY-CRT:A48KRD82X(HB),-300MG,20,BARE,	
C301	2301-000223	C-FILM,PEF:22nF,5%,100V,TP,7.2x4.5x9.0mm,		△	AA03-10030A	CRT-COLOR,-,A48KRD82X(HB),-300mG,20,90d	
C302	2201-000556	C-CERAMIC,DISC:470pF,10%,500V,Y5P,TP,7x4,5		△	AA27-50004W	DEFLECTION-YOKE,-,DSE-1992LL(1H),20/A48KRD82X	
C305	2305-000149	C-FILM,MPEF:100nF,5%,100V,TP,12x12.5x6.5,5			AA27-60001D	MAGNET-CONVERGENCE,-,JH-291-(JH-8210),29.1mm	
C402	2306-000355	C-FILM,MPPF:7.4nF,5%,1.6KV,TP,28.5x18.5x12					
△ C403	2201-000406	C-CERAMIC,DISC:270pF,10%,2KV,Y5P,TP,8x6,7.5					
C404	2306-000193	C-FILM,MPPF:360nF,5%,200V,TP,21x18.5x13,7.					
CN501	AA39-20109A	LEAD-CONNECTOR,ASSY,-,YBNH025-08,S,8P,400,1007#26		*	AA90-70046V	ASSY-CABINET;501E,CT501EBZX/GSU	
△ CN802	AA27-20003X	COIL-DEGAUSSING,-,20,14.4ohm,48TL2170,E			AA64-30979B	CABINET-BACK,-,501E,-,HIPS,HB,BLK,-,-	
R204	2001-000221	R-CARBON:1.2Kohm,5%,1/8W,AA,TP,1.8x3.2m			AA65-30019A	CLAMP-D,COIL;NYLON-66,V0,NTR,DADH-460 20,-	
R205	2001-000221	R-CARBON:1.2Kohm,5%,1/8W,AA,TP,1.8x3.2m					
R206	2001-000221	R-CARBON:1.2Kohm,5%,1/8W,AA,TP,1.8x3.2m					
R214	2001-000331	R-CARBON:12Kohm,5%,1/8W,AA,TP,1.8x3.2mm					
R226	2001-000508	R-CARBON:220Kohm,5%,1/8W,AA,TP,1.8x3.2mm					
R303	2004-001990	R-METAL:62Kohm,5%,1/8W,AA,TP,1.8x3.2mm		*	AA91-10297V	ASSY-CABINET,FRONT,-,CT501EBZ,BK708P EGB,HB,BLK	
R304	2003-000436	R-METAL OXIDE(S):1.5ohm,5%,1W,AF,TP,3.3x9mm		SPK+CF	6002-000514	SCREW-TAPPING;RH,+2,M4,L15,ZPC(BLK),SWRCH18	
R305	2001-000947	R-CARBON:7.5Kohm,5%,1/8W,AA,TP,1.8x3.2m		KNOPOW	AA61-60003J	SPRING-CS,-,SUS304,0.5,OD6,H12,N7,-,-,-	
R306	2001-000766	R-CARBON:43Kohm,5%,1/8W,AA,TP,1.8x3.2mm			AA63-50305A	GRILLE-WOOFER,R,-,501E,PA110 3R,SECC,T0.5,-,-	
R307	2001-000864	R-CARBON:56Kohm,5%,1/8W,AA,TP,1.8x3.2mm			AA63-50310A	GRILLE-WOOFER,L,-,501E,PA110 3R,SECC,T0.5,-,-	
R308	2004-001990	R-METAL:62Kohm,5%,1/8W,AA,TP,1.8x3.2mm			AA64-10635A	KNOB-POWER,T,-,5084,TACT,ABS,HB,BLK	
R309	2003-001043	R-METAL OXIDE(S):510ohm,5%,1W,AF,TP,2.5x6.5mm			AA64-30978X	CABINET-FRONT,-,CT501EBZ,BK708P EGB,HIPS,HB,	
R404	2001-001136	R-CARBON(S):36ohm,5%,1/2W,AA,TP,2.4x6.4mm			AA64-70010D	BADGE-BRAND;AL,SS R2000 25,GOLD,L50,-,-,-	
R411	2004-001373	R-METAL(S):100Kohm,1%,1/2W,AA,TP,2.4x6.4m					
R412	2004-001373	R-METAL(S):100Kohm,1%,1/2W,AA,TP,2.4x6.4m					
△ R518	2008-000266	R-FUSIBLE(S):1ohm,5%,2W,AF,TP,3.9x10mm					
RH01	2002-001006	R-COMPOSITION:4.7Kohm,10%,1/2W,AA,TP,3.7x9mm					
RH02	2002-001006	R-COMPOSITION:4.7Kohm,10%,1/2W,AA,TP,3.7x9mm		*	AA96-10143A	ASSY-SPEAKER,-,8ohm,6W,001034,20505M,R700L3	
△ T444	AA26-30001Y	TRANS-FLYBACK,-,FSV-20A001,20,125V					
△ V999	3704-001090	SOCKET-CRT;9P,15.24PI,26.5PI,SN,-			AA39-20505M	LEAD CONNECTOR-ASSY,-,YSH025-04,REC,4P,350,700mm	

## 7-7 CT501EBZX/STR (CT331EBZX/GSU AND CT501EBZX/STR Dissimilar Parts)

Loc. No.	Code No.	Description ; Specification	Remark	Loc. No.	Code No.	Description ; Specification	Remark
		<b>ASSY-PCB,MAIN</b>					
*	AA94-10140C	ASSY-PCB,MAIN(OPT);CT501EBZX/STR,K15A,PERU,-		R309	2003-001043	R-METAL OXIDE(S):510ohm,5%,1W,AF,TP,2.5x6.5mm	
C301	2301-000223	C-FILM,PEF:22nF,5%,100V,TP,7.2x4.5x9.0mm,		R404	2001-001136	R-CARBON(S):36ohm,5%,1/2W,AA,TP,2.4x6.4mm	
C302	2201-000556	C-CERAMIC,DISC:470pF,10%,500V,Y5P,TP,7x4,5		R411	2004-001373	R-METAL(S):100Kohm,1%,1/2W,AA,TP,2.4x6.4m	
C305	2305-000149	C-FILM,MPEF:100nF,5%,100V,TP,12x12.5x6.5,5		R412	2004-001373	R-METAL(S):100Kohm,1%,1/2W,AA,TP,2.4x6.4m	
C402	2306-000355	C-FILM,MPPF:7.4nF,5%,1.6KV,TP,28.5x18.5x12		R413	3812-000219	WIRE-NO SHEATH CU;TCWA,300V,52mm(TAPING),1/0.6mm	
△ C403	2201-000406	C-CERAMIC,DISC:270pF,10%,2KV,Y5P,TP,8x6,7.5		△ R518	2008-000266	R-FUSIBLE(S):1ohm,5%,2W,AF,TP,3.9x10mm	
C404	2306-000193	C-FILM,MPPF:360nF,5%,200V,TP,21x18.5x13,7.		RH01	2002-001006	R-COMPOSITION:4.7Kohm,10%,1/2W,AA,TP,3.7x9mm	
CN501	AA39-20109A	LEAD-CONNECTOR,ASSY,-,YBNH025-08,S,8P,400,1007#26		RH02	2002-001006	R-COMPOSITION:4.7Kohm,10%,1/2W,AA,TP,3.7x9mm	
△ CN802	AA27-20003X	COIL-DEGAUSSING,-,20,14.4ohm,48TL2170,E		RU10	2004-001193	R-METAL:680ohm,5%,1/8W,AA,TP,1.8x3.2mm	
R204	2001-000221	R-CARBON:1.2Kohm,5%,1/8W,AA,TP,1.8x3.2m		△ T444	AA26-30001Y	TRANS-FLYBACK,-,FSV-20A001,20,125V	
R205	2001-000221	R-CARBON:1.2Kohm,5%,1/8W,AA,TP,1.8x3.2m		△ V999	3704-001090	SOCKET-CRT;9P,15.24PI,26.5PI,SN,-	
R206	2001-000221	R-CARBON:1.2Kohm,5%,1/8W,AA,TP,1.8x3.2m					
R214	2001-000331	R-CARBON:12Kohm,5%,1/8W,AA,TP,1.8x3.2mm					
R226	2001-000508	R-CARBON:220Kohm,5%,1/8W,AA,TP,1.8x3.2mm					
R303	2004-001990	R-METAL:62Kohm,5%,1/8W,AA,TP,1.8x3.2mm					
R304	2003-000436	R-METAL OXIDE(S):1.5ohm,5%,1W,AF,TP,3.3x9mm					
R305	2001-000947	R-CARBON:7.5Kohm,5%,1/8W,AA,TP,1.8x3.2m					
R306	2001-000766	R-CARBON:43Kohm,5%,1/8W,AA,TP,1.8x3.2mm					
R307	2001-000864	R-CARBON:56Kohm,5%,1/8W,AA,TP,1.8x3.2mm					
R308	2004-001990	R-METAL:62Kohm,5%,1/8W,AA,TP,1.8x3.2mm					
		<b>ASSY-CABINET</b>					
				*	AA90-70046X	ASSY-CABINET;501E,CT501EBZX/STR	
					AA64-30979B	CABINET-BACK,-,501E,-,HIPS,HB,BLK,-,-	
					AA65-30107A	CLAMP-D,COIL;NYLON 66,V2,NTR,-,20-22 INCH,-	



Loc. No.	Code No.	Description ; Specification	Remark	Loc. No.	Code No.	Description ; Specification	Remark
<b>ASSY-CABINET,FRONT</b>				<b>ASSY-ACCESSORY</b>			
*	AA91-10297V	ASSY-CABINET,FRONT;-;CT501EBZ,BK708P EGB,HB,BLK		*	AA94-30077Z	ASSY-ACCESSORY;CT3366BZX/STR,K15A,PERU	
KNOPOW	AA61-60003J	SPRING-CS;-;SUS304,0.5,OD6,H12,N7,-,-,-		<b>ASSY-CRT</b>			
	AA63-50305A	GRILLE-WOOFER,R;-;501E,PA110 3R,SECC,T0.5,-,-		*	AA94-50020M	MASSY-CRT;A48KRD82X(HB),0MG,20,BARE,CT5	
	AA63-50310A	GRILLE-WOOFER,L;-;501E,PA110 3R,SECC,T0.5,-,-			AA03-10030L	CRT-COLOR;-;A48KRD82X(HB),0mG,20,90deg,	
	AA64-10635A	KNOB-POWER,T;-;5084,TACT,ABS,HB,BLK			AA27-50004W	DEFLECTION-YOKE;-;DSE-1992LL(1H),20/A48KRD82X	
	AA64-30978X	CABINET-FRONT;-;CT501EBZ,BK708P EGB,HIPS,HB,			AA27-60001D	MAGNET-CONVERGENCE;-;JH-291-(JH-8210),29.1mm	
	AA64-70010D	BADGE-BRAND;AL,SS R2000 25,GOLD,L50,-,-,-					
	AA96-10143A	ASSY-SPEAKER;-;8ohm,6W,001034,20505M,R700L3					
	AA39-20505M	LEAD CONNECTOR-ASSY;-;YSH025-04,REC,4P,350,700mm					

### 7-8 CT501EBZX/XAP (CT331EBZX/GSU AND CT501EBZX/XAP Dissimilar Parts)

Loc. No.	Code No.	Description ; Specification	Remark	Loc. No.	Code No.	Description ; Specification	Remark
<b>ASSY-PCB,MAIN</b>				<b>ASSY-CABINET</b>			
*	AA94-10140B	ASSY-PCB,MAIN(OPT);CT501EBZX/XAP,K15A,PANAMA,-		*	AA90-70046U	ASSY-CABINET;501E,CT501EBZX/XAP	
C301	2301-000223	C-FILM,PEF;22nF,5%,100V,TP,7.2x4.5x9.0mm,			AA64-30979B	CABINET-BACK;-;501E,-;HIPS,HB,BLK,-,-	
C302	2201-000556	C-CERAMIC,DISC;470pF,10%,500V,Y5P,TP,7x4.5			AA65-30107A	CLAMP-D,COIL;NYLON 66,V2,NTR,-;20-22 INCH,-	
C305	2305-000149	C-FILM,MPEF;100nF,5%,100V,TP,12x12.5x6.5,5		<b>ASSY-CABINET,FRONT</b>			
C402	2306-000355	C-FILM,MPPF;7.4nF,5%,1.6KV,TP,28.5x18.5x12		*	AA91-10297V	ASSY-CABINET,FRONT;-;CT501EBZ,BK708P EGB,HB,BLK	
△ C403	2201-000406	C-CERAMIC,DISC;270pF,10%,2KV,Y5P,TP,8x6.7,5		KNOPOW	AA61-60003J	SPRING-CS;-;SUS304,0.5,OD6,H12,N7,-,-,-	
C404	2306-000193	C-FILM,MPPF;360nF,5%,200V,TP,21x18.5x13,7			AA63-50305A	GRILLE-WOOFER,R;-;501E,PA110 3R,SECC,T0.5,-,-	
CN501	AA39-20109A	LEAD-CONNECTOR,ASSY;-;YBNH025-08,S,8P,400,1007#26			AA63-50310A	GRILLE-WOOFER,L;-;501E,PA110 3R,SECC,T0.5,-,-	
△ CN802	AA27-20003X	COIL-DEGAUSSING;-;20,14.4ohm,48T,L2170,E			AA64-10635A	KNOB-POWER,T;-;5084,TACT,ABS,HB,BLK	
R204	2001-000221	R-CARBON;1.2Kohm,5%,1/8W,AA,TP,1.8x3.2m			AA64-30978X	CABINET-FRONT;-;CT501EBZ,BK708P EGB,HIPS,HB,	
R205	2001-000221	R-CARBON;1.2Kohm,5%,1/8W,AA,TP,1.8x3.2m			AA64-70010D	BADGE-BRAND;AL,SS R2000 25,GOLD,L50,-,-,-	
R206	2001-000221	R-CARBON;1.2Kohm,5%,1/8W,AA,TP,1.8x3.2m			AA96-10143A	ASSY-SPEAKER;-;8ohm,6W,001034,20505M,R700L3	
R214	2001-000331	R-CARBON;12Kohm,5%,1/8W,AA,TP,1.8x3.2mm			AA39-20505M	LEAD CONNECTOR-ASSY;-;YSH025-04,REC,4P,350,700mm	
R226	2001-000508	R-CARBON;220Kohm,5%,1/8W,AA,TP,1.8x3.2m		<b>ASSY-ACCESSORY</b>			
R303	2004-001990	R-METAL;62Kohm,5%,1/8W,AA,TP,1.8x3.2mm		*	AA94-30077Y	ASSY-ACCESSORY;CT3366BZX/XAP,K15A,PANAMA	
R304	2003-000436	R-METAL OXIDE(S);1.5ohm,5%,1W,AF,TP,3.3x9mm			AA68-30004A	MANUAL-BOOK;-;WW/P120(G),-;SEPA,-,-	
R305	2001-000947	R-CARBON;7.5Kohm,5%,1/8W,AA,TP,1.8x3.2m		<b>ASSY-CRT</b>			
R306	2001-000766	R-CARBON;43Kohm,5%,1/8W,AA,TP,1.8x3.2mm		*	AA94-50019L	ASSY-CRT;A48KRD82X(HB),+380MG,20,BARE,	
R307	2001-000864	R-CARBON;56Kohm,5%,1/8W,AA,TP,1.8x3.2mm			AA03-10029Z	CRT-COLOR;-;A48KRD82X(HB),+380mG,20,90d	
R308	2004-001990	R-METAL;62Kohm,5%,1/8W,AA,TP,1.8x3.2mm			AA27-50004W	DEFLECTION-YOKE;-;DSE-1992LL(1H),20/A48KRD82X	
R309	2003-001043	R-METAL OXIDE(S);510ohm,5%,1W,AF,TP,2.5x6.5mm			AA27-60001D	MAGNET-CONVERGENCE;-;JH-291-(JH-8210),29.1mm	
R404	2001-001136	R-CARBON(S);36ohm,5%,1/2W,AA,TP,2.4x6.4mm					
R411	2004-001373	R-METAL(S);100Kohm,1%,1/2W,AA,TP,2.4x6.4m					
R412	2004-001373	R-METAL(S);100Kohm,1%,1/2W,AA,TP,2.4x6.4m					
R413	3812-000219	WIRE-NO SHEATH CU;TCWA,300V,52mm(TAPING),1/0.6mm					
△ R518	2008-000266	R-FUSIBLE(S);1ohm,5%,2W,AF,TP,3.9x10mm					
RH01	2002-001006	R-COMPOSITION;4.7Kohm,10%,1/2W,AA,TP,3.7x9mm					
RH02	2002-001006	R-COMPOSITION;4.7Kohm,10%,1/2W,AA,TP,3.7x9mm					
RU10	2004-001193	R-METAL;680ohm,5%,1/8W,AA,TP,1.8x3.2mm					
△ T444	AA26-30001Y	TRANS-FLYBACK;-;FSV-20A001,20,125V					
△ V999	3704-001090	SOCKET-CRT;9P,15.24PI,26.5PI,SN,-					

## 7-9 CT501HX/SPL (CT331EBZX/GSU AND CT501HX/SPL Dissimilar Parts)

Loc. No.	Code No.	Description ; Specification	Remark	Loc. No.	Code No.	Description ; Specification	Remark
<b>ASSY-PCB,MAIN</b>				<b>ASSY-CABINET</b>			
*	AA94-10134V	ASSY-PCB,MAIN(OPT);CT501HX/SPL,KCT15A,JUNGNAMMI		*	AA90-70109C	ASSY-CABINET;501H,CT501HX/SPL	
C301	2301-000223	C-FILM,PEF;22nF,5%,100V,TP,7.2x4.5x9.0mm,		AA64-31231C	CABINET-BACK;-;501H,-;HIPS,HB,BLK,-,-		
C302	2201-000556	C-CERAMIC,DISC;47OpF,10%,500V,Y5P,TP,7x4.5		AA65-30107A	CLAMP-D,COIL;NYLON 66,V2,NTR,-,-,20-22 INCH,-		
C305	2305-000149	C-FILM,MPEF;100nF,5%,100V,TP,12x12.5x6.5,5		<b>ASSY-CABINET,FRONT</b>			
C402	2306-000355	C-FILM,MPPF;7.4nF,5%,1.6KV,TP,28.5x18.5x12		*	AA91-10370C	ASSY-CABINET,FRONT;-;CT501HX,BK708P EGN NT,HB,BLK	
△ C403	2201-000406	C-CERAMIC,DISC;27OpF,10%,2KV,Y5P,TP,8x6.7,5		KNOPOW	AA61-60003T	SPRING-CS;-;SUS304,0.5,OD7,H13.5,N5,-,-,	
C404	2306-000193	C-FILM,MPPF;360nF,5%,200V,TP,21x18.5x13.7,		AA61-40113A	STOPPER-PCB;501H,HIPS,NTR,HB,-,-		
C409	2401-000832	C-AL;220uF,20%,25V,GP,TP,8x11.5,5mm		AA64-10767A	KNOB-CONTROL;-,-,-;ABS,HB,BLK		
C808	2301-000223	C-FILM,PEF;22nF,5%,100V,TP,7.2x4.5x9.0mm,		AA64-10768B	KNOB-POWER;-;331H,TACT,ABS,HB,BLK		
C810	2305-000665	C-FILM,MPEF;100nF,5%,63V,TP,7.5x4.0x5.0mm,		AA64-31230C	CABINET-FRONT;-;CT-501HX,BK708P EGB NT,HIPS,		
C910	2201-000292	C-CERAMIC,DISC;1nF,10%,50V,Y5P,TP,5x4.5mm		AA64-40495A	WINDOW-REMOCON;-;331,501H,-;PC,-,-;VIOLET,-		
CLAMP/F	AA65-30109A	CLAMP-FBT;NYLON-66,V2,BLK,-,-,-		AA64-40496A	INDICATOR-LED;-,-,-;ACRYL,-,-,-		
CLAMP/W	AA65-30104C	CLAMP-WIRE;NYLON 66,V2,NTR,W1 Z4,ALL MODE		AA64-70010D	BADGE-BRAND;AL,SS R2000 25,GOLD,L50,-,-,-		
CN501	AA39-20109A	LEAD-CONNECTOR,ASSY;-;YBNH025-08,S,8P,400,1007#26		<b>ASSY-SPEAKER</b>			
△ CN802	AA27-20003X	COIL-DEGAUSSING;-;20,14.4ohm,4BT,L2170.E		*	AA96-10139A	ASSY-SPEAKER;-;16ohm,3W,00003,AA3920505M,L3	
D814	0402-000534	DIODE-RECTIFIER;RG10V,400V,1.2A,DO-201,TP		3001-000003	SPEAKER;3W,16ohm,88+2dB,180+36Hz		
IC901	AA13-30019MIC	MCU;-;Z8933412PSC-R3716,16BIT,SDIP		AA39-20505M	LEAD CONNECTOR-ASSY;-;YSH025-04,REC,4P,350,700mm,		
R204	2001-000221	R-CARBON;1.2Kohm,5%,1/8W,AA,TP,1.8x3.2mm		<b>ASSY-ACCESSORY</b>			
R205	2001-000221	R-CARBON;1.2Kohm,5%,1/8W,AA,TP,1.8x3.2mm		*	AA94-30076E	ASSY-ACCESSORY;CT331HX/SPL,KCT15A,JUNMNAMMI	
R206	2001-000221	R-CARBON;1.2Kohm,5%,1/8W,AA,TP,1.8x3.2mm		<b>ASSY-CRT</b>			
R214	2001-000331	R-CARBON;12Kohm,5%,1/8W,AA,TP,1.8x3.2mm		*	AA94-50015D	ASSY-CRT;A48KRD2X(B),+380mG,20,BARE,CT	
R226	2001-000508	R-CARBON;220Kohm,5%,1/8W,AA,TP,1.8x3.2mm		△	AA03-10003P	CRT-COLOR;-;A48KRD82X(BU),+380MG,20,90D	
R303	2004-001990	R-METAL;62Kohm,5%,1/8W,AA,TP,1.8x3.2mm		△	AA27-50001S	DEFLECTION-YOKE;-;DSE-1992LL(1),20/A48KRD82X,	
R304	2003-000436	R-METAL OXIDE(S);1.5ohm,5%,1W,AF,TP,3.3x9mm			AA27-60001K	MAGNET-CONVERGENCE;-;NY-291,29.1mm	
R305	2001-000947	R-CARBON;7.5Kohm,5%,1/8W,AA,TP,1.8x3.2mm		<b>ASSY-POWER,CORD</b>			
R306	2001-000766	R-CARBON;43Kohm,5%,1/8W,AA,TP,1.8x3.2mm		*	AA96-20125A	ASSY-POWER,CORD;-;CP2/NO(4.8),H/C300,DW003,KS(	
R307	2001-000864	R-CARBON;56Kohm,5%,1/8W,AA,TP,1.8x3.2mm			AA39-10006Z	POWER-CORD;-;DW003,VCTEK 2x0.75mm,2.4,3P,	
R308	2004-001990	R-METAL;62Kohm,5%,1/8W,AA,TP,1.8x3.2mm					
R309	2003-001043	R-METAL OXIDE(S);510ohm,5%,1W,AF,TP,2.5x6.5mm					
R404	2001-001136	R-CARBON(S);36ohm,5%,1/2W,AA,TP,2.4x6.4mm					
R411	2004-001373	R-METAL(S);100Kohm,1%,1/2W,AA,TP,2.4x6.4mm					
R412	2004-001373	R-METAL(S);100Kohm,1%,1/2W,AA,TP,2.4x6.4mm					
△ R518	2008-000266	R-FUSIBLE(S);1ohm,5%,2W,AF,TP,3.9x10mm					
R604	2001-000449	R-CARBON;2.2Kohm,5%,1/8W,AA,TP,1.8x3.2mm					
R908	2001-000252	R-CARBON;1.6Kohm,5%,1/8W,AA,TP,1.8x3.2mm					
R934	2001-000003	R-CARBON;330ohm,5%,1/8W,AA,TP,1.8x3.2mm					
R936	2001-000429	R-CARBON;1Kohm,5%,1/8W,AA,TP,1.8x3.2mm					
RH01	2002-001006	R-COMPOSITION;4.7Kohm,10%,1/2W,AA,TP,3.7x9mm					
RH02	2002-001006	R-COMPOSITION;4.7Kohm,10%,1/2W,AA,TP,3.7x9mm					
△ T444	AA26-30001Y	TRANS-FLYBACK;-;FSV-20A001,20,125V					
△ V999	3704-001090	SOCKET-CRT;9P,15.24PI,26.5PI,SN,-					

## 7-10 CT331EBZX/GSU

Loc. No.	Code No.	Description ; Specification	Remark	Loc. No.	Code No.	Description ; Specification	Remark
<b>ASSY-PCB,MAIN</b>							
*	AA94-10139Y	ASSY-PCB,MAIN(OPT);CT331EBZX/GSU,K15A,BO		C406	2201-000556	C-CERAMIC,DISC:470pF,10%,500V,Y5P,TP,7x4	
C101	2202-000127	C-CERAMIC,MLC-AXIAL:10nF,+80-20%,25V,Y5V		C407	2401-001429	C-AL:470uF,20%,50V,GP,TP,13x20,5	
C102	2401-000660	C-AL:2.2uF,20%,50V,GP,TP,5x11mm,5mm		C408	2201-000556	C-CERAMIC,DISC:470pF,10%,500V,Y5P,TP,7x4	
C104	2202-000127	C-CERAMIC,MLC-AXIAL:10nF,+80-20%,25V,Y5V		C409	2401-001998	C-AL:1000uF,20%,25V,GP,TP,10x20,5mm	
C108	2401-000480	C-AL:10uF,20%,50V,GP,TP,5x11,5		C410	2301-000224	C-FILM,PEF:22nF,5%,50V,TP,7.4x3.9x13mm	
C110	2401-000808	C-AL:220uF,20%,16V,GP,8x11mm,5mm,TP		C411	2201-000556	C-CERAMIC,DISC:470pF,10%,500V,Y5P,TP,7x4	
C151	2202-000127	C-CERAMIC,MLC-AXIAL:10nF,+80-20%,25V,Y5V		C412	2401-000927	C-AL:22UF,20%,250V,GP,TP,13x20MM,5M	
C153	2202-000127	C-CERAMIC,MLC-AXIAL:10nF,+80-20%,25V,Y5V		C413	2401-000560	C-AL:1uF,20%,160V,GP,TP,6.3*11,5mm	
C201	2201-000292	C-CERAMIC,DISC:1nF,10%,50V,Y5P,TP,5x4,5m		C444	2201-000441	C-CERAMIC,DISC:3.3nF,10%,500V,Y5P,TP,10x	
C202	2401-001333	C-AL:470nF,20%,50V,GP,TP,5x11,5		C445	2201-000441	C-CERAMIC,DISC:3.3nF,10%,500V,Y5P,TP,10x	
C203	2401-001495	C-AL:47uF,20%,16V,GP,5x11mm,5mm,TP		C501	2202-000821	C-CERAMIC,MLC-AXIAL:560pF,10%,50V,Y5P,TP	
C204	2301-000188	C-FILM,PEF:1nF,5%,100V,TP,10.5x12.5x6.5,		C502	2202-000862	C-CERAMIC,MLC-AXIAL:390pF,10%,50V,Y5P,TP	
C205	2401-001333	C-AL:470nF,20%,50V,GP,TP,5x11,5		C503	2202-000825	C-CERAMIC,MLC-AXIAL:680pF,10%,50V,Y5P,TP	
C206	2305-001011	C-FILM,MPEF:22nF,5%,100V,TP,3.5x12.5x7.5		C505	2201-002063	C-CERAMIC,DISC:10nF,+80-20%,3KV,Y5V,TP,1	
C207	2401-001333	C-AL:470nF,20%,50V,GP,TP,5x11,5		C601	2401-000962	C-AL:22uF,20%,50V,GP,TP,5x11,5	
C209	2305-000665	C-FILM,MPEF:100nF,5%,63V,TP,7.5x4.0x5.0m		C603	2301-000289	C-FILM,PEF:5.6nF,5%,50V,TP,7x6x3,5	
C210	2305-000665	C-FILM,MPEF:100nF,5%,63V,TP,7.5x4.0x5.0m		C604	2401-000660	C-AL:2.2uF,20%,50V,GP,TP,5x11mm,5mm	
C211	2305-000665	C-FILM,MPEF:100nF,5%,63V,TP,7.5x4.0x5.0m		C605	2305-000665	C-FILM,MPEF:100nF,5%,63V,TP,7.5x4.0x5.0m	
C212	2201-000982	C-CERAMIC,DISC:10nF,+80-20%,50V,Y5V,TP,6		C609	2401-000133	C-AL:1000uF,20%,16V,GP,TP,10x20mm,5	
C213	2201-000193	C-CERAMIC,DISC:10pF,0.3pF,50V,CH,TP,5x3,		C611	2202-000279	C-CERAMIC,MLC-AXIAL:47PF,5%,50V,SL,3.5X1	
C214	2401-000660	C-AL:2.2uF,20%,50V,GP,TP,5x11mm,5mm		C612	2202-000279	C-CERAMIC,MLC-AXIAL:47PF,5%,50V,SL,3.5X1	
C215	2401-001840	C-AL:100uF,20%,16V,GP,TP,6.3x11,5mm		C651	2401-000660	C-AL:2.2uF,20%,50V,GP,TP,5x11mm,5mm	
C216	2201-000354	C-CERAMIC,DISC:20pF,5%,50V,NPO,TP,5.0x3.		C652	2401-000660	C-AL:2.2uF,20%,50V,GP,TP,5x11mm,5mm	
C218	2301-000181	C-FILM,PEF:18nF,5%,50V,TP,7.1x3.5x13mm,5		C654	2401-001363	C-AL:470uF,20%,16V,GP,TP,10x12.5mm,	
C219	2401-000603	C-AL:1UF,20%,50V,GP,TP,5X11MM,5MM		C655	2401-001363	C-AL:470uF,20%,16V,GP,TP,10x12.5mm,	
C220	2401-000480	C-AL:10uF,20%,50V,GP,TP,5x11,5		C701	2305-000665	C-FILM,MPEF:100nF,5%,63V,TP,7.5x4.0x5.0m	
C221	2401-002462	C-AL:33uF,20%,16V,GP,TP,5x11,5		C702	2401-000471	C-AL:10uF,20%,50V,BP,TP,5x11,5mm	
C222	2305-000665	C-FILM,MPEF:100nF,5%,63V,TP,7.5x4.0x5.0m		C703	2202-000183	C-CERAMIC,MLC-AXIAL:2.2nF,20%,16V,Y5R,TP	
C225	2401-000480	C-AL:10uF,20%,50V,GP,TP,5x11,5		C705	2202-000183	C-CERAMIC,MLC-AXIAL:2.2nF,20%,16V,Y5R,TP	
C226	2401-000603	C-AL:1UF,20%,50V,GP,TP,5X11MM,5MM		C801	2401-002219	C-AL:220uF,20%,400V,GP,ST,25x40,10	
C227	2305-000665	C-FILM,MPEF:100nF,5%,63V,TP,7.5x4.0x5.0m		C802	2201-000119	C-CERAMIC,DISC:100nF,+80-20%,50V,Y5V,TP,	
C229	2202-000127	C-CERAMIC,MLC-AXIAL:10nF,+80-20%,25V,Y5V		C803	2303-000163	C-FILM,PPF:2.2nF,5%,800V,TP,15x13x8.5,7.	
C230	2305-000665	C-FILM,MPEF:100nF,5%,63V,TP,7.5x4.0x5.0m		C804	2201-000446	C-CERAMIC,DISC:3.3nF,20%,400V,Y5U,TP,18x	
C231	2401-001495	C-AL:47uF,20%,16V,GP,5x11mm,5mm,TP		C805	2201-000991	C-CERAMIC,DISC:560pF,10%,2KV,Y5P,TP,13x7	
C232	2401-001495	C-AL:47uF,20%,16V,GP,5x11mm,5mm,TP		C806	2401-000262	C-AL:100uF,20%,160V,HR,TP,16x25,7.5	
C233	2401-000480	C-AL:10uF,20%,50V,GP,TP,5x11,5		C807	2201-000599	C-CERAMIC,DISC:560pF,10%,500V,Y5P,TP,7x4	
C234	2301-000264	C-FILM,PEF:4.7nF,5%,50V,TP,6.5X5.5X3.0X5		C808	2301-000223	C-FILM,PEF:22nF,5%,100V,TP,7.2x4.5x9.0mm	
C235	2202-000279	C-CERAMIC,MLC-AXIAL:47PF,5%,50V,SL,3.5X1		C809	2401-001998	C-AL:1000uF,20%,25V,GP,TP,10x20,5mm	
C236	2202-000127	C-CERAMIC,MLC-AXIAL:10nF,+80-20%,25V,Y5V		C810	2305-000412	C-FILM,MPEF:470nF,5%,63V,TP,-,5mm	
C237	2202-000154	C-CERAMIC,MLC-AXIAL:150pF,10%,50V,Y5P,TP		C812	2401-001840	C-AL:100uF,20%,16V,GP,TP,6.3x11,5mm	
C301	2301-000226	C-FILM,PEF:27nF,5%,100V,TP,7.3x4x12.5mm,		C813	2401-001495	C-AL:47uF,20%,16V,GP,5x11mm,5mm,TP	
C302	2201-000599	C-CERAMIC,DISC:560pF,10%,500V,Y5P,TP,7x4		C814	2306-000318	C-FILM,MPPF:220nF,20%,250V,TP,-,22.5MM	
C303	2202-000127	C-CERAMIC,MLC-AXIAL:10nF,+80-20%,25V,Y5V		C816	2401-000480	C-AL:10uF,20%,50V,GP,TP,5x11,5	
C304	2401-000553	C-AL:1uF,10%,50V,HR,TP,5x11mm,5mm		C817	2401-001840	C-AL:100uF,20%,16V,GP,TP,6.3x11,5mm	
C305	2305-000427	C-FILM,MPEF:47nF,5%,100V,TP,7.5x12.5x3.5		C820	2401-001998	C-AL:1000uF,20%,25V,GP,TP,10x20,5mm	
C306	2401-002458	C-AL:1000UF,20%,35V,GP,TP,16X25MM,7		C821	2401-001486	C-AL:47uF,20%,160V,HR,TP,13x20mm,5m	
C308	2301-000310	C-FILM,PEF:68nF,5%,50V,TP,8.0X8.5X4.0X		C822	2301-000192	C-FILM,PEF:1nF,5%,50V,TP,5.3x10mm,5mm	
C309	2401-000360	C-AL:100uF,20%,50V,GP,TP,8x11mm,5mm		C823	2201-000370	C-CERAMIC,DISC:220pF,10%,50V,Y5P,TP,4.0X	
C310	2401-000480	C-AL:10uF,20%,50V,GP,TP,5x11,5		C851	2401-001571	C-AL:47uF,+20%-0%,50V,GP,TP,8x12,5	
C311	2401-001333	C-AL:470nF,20%,50V,GP,TP,5x11,5		C852	2301-000310	C-FILM,PEF:68nF,5%,50V,TP,8.0X8.5X4.0X	
C312	2401-000553	C-AL:1uF,10%,50V,HR,TP,5x11mm,5mm		C901	2401-001495	C-AL:47uF,20%,16V,GP,5x11mm,5mm,TP	
C313	2305-000470	C-FILM,MPEF:68nF,5%,100V,TP,-,5mm		C902	2202-000796	C-CERAMIC,MLC-AXIAL:UP050 B102KB INF,10%	
C401	2301-000224	C-FILM,PEF:22nF,5%,50V,TP,7.4x3.9x13mm		C903	2401-000480	C-AL:10uF,20%,50V,GP,TP,5x11,5	
C402	2306-000253	C-FILM,MPPF:7.2nF,5%,1.6KV,TP,28.5x18.5x		C904	2202-000796	C-CERAMIC,MLC-AXIAL:UP050 B102KB INF,10%	
C403	2201-000467	C-CERAMIC,DISC:330pF,10%,2KV,Y5P,TP,8x6,		C905	2401-001333	C-AL:470nF,20%,50V,GP,TP,5x11,5	
C404	2306-000004	C-FILM,MPPF:330nF,5%,250V,TP,20x18.5x10.		C907	2401-001271	C-AL:4.7uF,20%,50V,GP,TP,4x7mm,5mm	
C405	2305-000704	C-FILM,MPEF:100nF,5%,250V,TP,16.5x10.3x5		C908	2201-000193	C-CERAMIC,DISC:10pF,0.3pF,50V,CH,TP,5x3,	
				C909	2201-000573	C-CERAMIC,DISC:47pF,5%,50V,CH,TP,6.5x3.0	
				C910	2201-000292	C-CERAMIC,DISC:1nF,10%,50V,Y5P,TP,5x4,5m	
				C911	2401-000480	C-AL:10uF,20%,50V,GP,TP,5x11,5	
				C912	2301-000310	C-FILM,PEF:68nF,5%,50V,TP,8.0X8.5X4.0X	

Loc. No.	Code No.	Description ; Specification	Remark	Loc. No.	Code No.	Description ; Specification	Remark
C914A	2401-000947	C-AL:22uF,20%,35V,GP,TP;5x11mm,-		△ IC801	1203-001494	IC-PWM CONTROLLER;3S0680RF,TO3PF-5L,5,21	
C915	2202-000127	C-CERAMIC,MLC-AXIAL:10nF,+80-20%,25V,Y5V		IC802	1203-001532	IC-POS.FIXED REG.;7631,SIP,10P,-,PLASTI	
CN501	AA39-20109D	LEAD-CONNECTOR,ASSY;-YBNH025-08,S,8P,30		IC901	AA13-30020A	IC-MCU;-Z8933412PSC-R3757,16BIT,SDIP	
CN601	3711-002643	CONNECTOR-HEADER;BOX,4P,1R,2.5MM,STRAIGH		IC902	1103-001107	IC-EEPROM;24C020,256x8BIT,DIP,8P,300MIL,	
CN701	3711-002646	CONNECTOR-HEADER;BOX,7P,1R,2.5mm,STRAIGH		JA701	3722-000162	JACK-PIN-2P,3.4MM,SN,BLACK,-	
△ CN802	AA27-20003U	COIL-DEGAUSSING;-14,16.4ohm,75T,890mm,		L102	2701-000207	INDUCTOR-AXIAL:56uH,5%,2.5x3.4mm	
CU02	2305-000665	C-FILM,MPEF;100nF,5%,63V,TP;7.5x4.0x5.0m		L152	2701-000326	INDUCTOR-AXIAL:560nH,10%,2.3x3.4mm	
D101	0403-000700	DIODE-ZENER:TZP33A,33V,31-35V,1W,DO-41,T		L201	AA26-10004K	TRANS-IF;-7MG,SIF,11.5uH,7mm,100pF,4.8	
D102	0403-000296	DIODE-ZENER:MTZ5.6B,5.6V,5.45-5.73V,500m		L202	2701-000207	INDUCTOR-AXIAL:56uH,5%,2.5x3.4mm	
D201	0403-000663	DIODE-ZENER:MTZ3.3B,3.3V,3.32-3.53V,500m		L203	2701-000158	INDUCTOR-AXIAL:22uH,10%,2.5x3.4mm	
D202	0401-000005	DIODE-SWITCHING;1N4148,75V,300mA,DO-35,T		L204	2701-000207	INDUCTOR-AXIAL:100uH,10%,2.5x3.4mm	
D203	0401-000005	DIODE-SWITCHING;1N4148,75V,300mA,DO-35,T		L205	AA26-10004C	TRANS-IF;-7MG,VIF,0.37uH,7mm,27pF,52.3	
D204	0401-000005	DIODE-SWITCHING;1N4148,75V,300mA,DO-35,T		L206	2701-000111	INDUCTOR-AXIAL:100uH,10%,2.5x3.4mm	
D205	0403-000295	DIODE-ZENER:MTZ5.1B,5.1V,4.94-5.20V,500m		L208	2701-000114	INDUCTOR-AXIAL:10uH,10%,2.5x3.4mm	
D206	0401-000005	DIODE-SWITCHING;1N4148,75V,300mA,DO-35,T		L301	2701-000116	INDUCTOR-AXIAL:10uH,10%,4.2x9.8mm	
D207	0401-000005	DIODE-SWITCHING;1N4148,75V,300mA,DO-35,T		△ L401	AA27-30001B	COIL-LINEARITY;-195UH,QIC1010,PIO,4,4.5	
D208	0402-000132	DIODE-RECTIFIER;1N4004,400V,1A,DO-41,TP		△ L402	2701-001032	INDUCTOR-AXIAL:100uH,10%,5x14mm	
D210	0403-000563	DIODE-ZENER:MTZ9.1B,9.1V,8.57-9.01V,500m		L501	2701-000184	INDUCTOR-AXIAL:4.7uH,10%,2.5x3.4mm	
D299	0403-000654	DIODE-ZENER:MTZ12B,12V,11.44-12.03V,500m		L502	2701-000184	INDUCTOR-AXIAL:4.7uH,10%,2.5x3.4mm	
D301	0402-001105	DIODE-RECTIFIER;ERB43-04SV1,400V,1.0A,-		L503	2701-000184	INDUCTOR-AXIAL:4.7uH,10%,2.5x3.4mm	
D302	0403-000654	DIODE-ZENER:MTZ12B,12V,11.44-12.03V,500m		L601	2901-000297	FILTER-EMI ON BOARD;-3A,-,3.5x5,TP,-	
D401	0402-000132	DIODE-RECTIFIER;1N4004,400V,1A,DO-41,TP		L602	2701-000158	INDUCTOR-AXIAL:22uH,10%,2.5x3.4mm	
D402	0402-000132	DIODE-RECTIFIER;1N4004,400V,1A,DO-41,TP		L801	AA29-30001D	FILTER-LINE;-6.0mH,2A,-,SQ1913	
D403	0402-001105	DIODE-RECTIFIER;ERB43-04SV1,400V,1.0A,-		L802	3301-000287	CORE-FERRITE BEAD;AA,3.5x1x6mm,1500,2400	
D404	0402-001105	DIODE-RECTIFIER;ERB43-04SV1,400V,1.0A,-		L803	2901-000297	FILTER-EMI ON BOARD;-3A,-,3.5x5,TP,-	
D405	0402-001105	DIODE-RECTIFIER;ERB43-04SV1,400V,1.0A,-		L804	3301-000287	CORE-FERRITE BEAD;AA,3.5x1x6mm,1500,2400	
D407	0402-001105	DIODE-RECTIFIER;ERB43-04SV1,400V,1.0A,-		L805	2901-000299	FILTER-EMI ON BOARD;-6A,UL/CSA,-,9x7.5,	
D601	0401-000005	DIODE-SWITCHING;1N4148,75V,300mA,DO-35,T		L809	2901-000299	FILTER-EMI ON BOARD;-6A,UL/CSA,-,9x7.5,	
D701	0403-000563	DIODE-ZENER:MTZ9.1B,9.1V,8.57-9.01V,500m		L810	AA27-10002Y	COIL-CHOKE;-100UH,K,10,700MA,T,100UH-K(	
D704	0403-000563	DIODE-ZENER:MTZ9.1B,9.1V,8.57-9.01V,500m		L811	2901-000299	FILTER-EMI ON BOARD;-6A,UL/CSA,-,9x7.5,	
D802	0402-000540	DIODE-RECTIFIER;RU20A,600V,1.5A,-		L901	2701-000197	INDUCTOR-AXIAL:5.6uH,10%,2.5x3.4mm	
D803	0402-001105	DIODE-RECTIFIER;ERB43-04SV1,400V,1.0A,-		L902	2701-000114	INDUCTOR-AXIAL:10uH,10%,2.5x3.4mm	
D805	0402-000213	DIODE-RECTIFIER;ERB12-06,600V,1.0A,DO-41		L999	2701-000115	INDUCTOR-AXIAL:10uH,10%,2.8x7mm	
D806	0401-000005	DIODE-SWITCHING;1N4148,75V,300mA,DO-35,T		LD901	AA96-30007A	ASSY-LED,GUIDE;-AA61-50055A,DL-G7GA,GRE	
△ D807	0402-000213	DIODE-RECTIFIER;ERB12-06,600V,1.0A,DO-41		△ NT801	1404-000187	THERMISTOR-NTC;4.7ohm,15%,2800K,27.2mW/C	
△ D808	0402-000213	DIODE-RECTIFIER;ERB12-06,600V,1.0A,DO-41		△ P801	1404-001048	THERMISTOR-PTC;7ohm,30%,200/220V,270V,19	
△ D809	0402-000213	DIODE-RECTIFIER;ERB12-06,600V,1.0A,DO-41		△ PC802	0604-001038	PHOTO-COUPLER;TR,130-260%,200mW,DIP-4,ST	
△ D810	0402-000213	DIODE-RECTIFIER;ERB12-06,600V,1.0A,DO-41		Q151	0501-000436	TR-SMALL SIGNAL;KTC3197,NPN,625mW,TO-92,	
D814	0404-001056	DIODE-SCHOTTKY;RK16,60V,1.5A,DO-204AC,TP		Q201	0501-002183	TR-SMALL SIGNAL;KTC9014,NPN,625mW,TO-92,	
D855	0403-000296	DIODE-ZENER:MTZ5.6B,5.6V,5.45-5.73V,500m		Q202	0501-002183	TR-SMALL SIGNAL;KTC9014,NPN,625mW,TO-92,	
D856	0403-000296	DIODE-ZENER:MTZ5.6B,5.6V,5.45-5.73V,500m		Q203	0501-002183	TR-SMALL SIGNAL;KTC9014,NPN,625mW,TO-92,	
D902	0403-000296	DIODE-ZENER:MTZ5.6B,5.6V,5.45-5.73V,500m		△ Q401	0502-001115	TR-POWER;KSC5386,NPN,50W,TO-3PF,ST,8-	
D903	0401-000005	DIODE-SWITCHING;1N4148,75V,300mA,DO-35,T		Q402	0501-000369	TR-SMALL SIGNAL;KSC2331-Y,NPN,1W,TO-92L,	
D904	0401-000005	DIODE-SWITCHING;1N4148,75V,300mA,DO-35,T		Q501	0501-002014	TR-SMALL SIGNAL;KSC2330-R,NPN,1W,TO-92L,	
D905	0403-000296	DIODE-ZENER:MTZ5.6B,5.6V,5.45-5.73V,500m		Q502	0501-002014	TR-SMALL SIGNAL;KSC2330-R,NPN,1W,TO-92L,	
D906	0403-000296	DIODE-ZENER:MTZ5.6B,5.6V,5.45-5.73V,500m		Q503	0501-002014	TR-SMALL SIGNAL;KSC2330-R,NPN,1W,TO-92L,	
DZ801	1405-000152	VARISTOR;560V,2500A,14x8.5mm,TP		Q601	0502-000242	TR-POWER;KSA614,PNP,25W,TO-220,TP,40-24	
DZ802	0403-000300	DIODE-ZENER:MTZ8.2B,7.78-8.19V,500mW,DO-		Q602	0501-002183	TR-SMALL SIGNAL;KTC9014,NPN,625mW,TO-92,	
DZ803	0403-000296	DIODE-ZENER:MTZ5.6B,5.6V,5.45-5.73V,500m		Q801	1203-001217	IC-POS.ADJUST REG.;431,TO-92,3P,4.58MIL	
DZ806	0403-000294	DIODE-ZENER:MTZ4.7B,4.45-4.80V,500mW,DO-		Q902	0501-002183	TR-SMALL SIGNAL;KTC9014,NPN,625mW,TO-92,	
DZ807	0403-000297	DIODE-ZENER:MTZ6.2B,6.2V,5.96-6.27V,500m		Q903	0501-002183	TR-SMALL SIGNAL;KTC9014,NPN,625mW,TO-92,	
DZ901	0403-000296	DIODE-ZENER:MTZ5.6B,5.6V,5.45-5.73V,500m		QU01	0504-000123	TR-DIGITAL;KSR1010,NPN,300mW,10K,TO-92,T	
DZ902	0403-000296	DIODE-ZENER:MTZ5.6B,5.6V,5.45-5.73V,500m		R101	2001-000290	R-CARBON;10Kohm,5%,1/8W,AA,TP,1.8x3.2mm	
DZ903	0403-000295	DIODE-ZENER:MTZ5.1B,5.1V,4.94-5.20V,500m		R102	2004-001301	R-METAL;82Kohm,5%,1/8W,AA,TP,1.8x3.2mm	
EL301-802	AA60-40011B	EYELET;ID2.2,OD3.2,-,BSP,-		R104	2003-000578	R-METAL OXIDE(S);220ohm,5%,2W,AA,TP,4x12	
EY401-830	AA60-40011A	EYELET;ID2.0,OD2.8,-,BST,-		R105	2003-000578	R-METAL OXIDE(S);220ohm,5%,2W,AA,TP,4x12	
F801	3601-001012	FUSE-FERRULE;250V,4A,SLOW-BLOW,GLASS,5.2		R152	2001-000221	R-CARBON;1.2Kohm,5%,1/8W,AA,TP,1.8x3.2m	
△ F801A	3602-000114	FUSE-HOLDER;-,-,30mohm		R153	2001-000734	R-CARBON;4.7Kohm,5%,1/8W,AA,TP,1.8x3.2m	
△ F801B	3602-000114	FUSE-HOLDER;-,-,30mohm		R154	2001-000780	R-CARBON;470ohm,5%,1/8W,AA,TP,1.8x3.2mm	
GT101-806	AA60-40014A	APIN-GT,ASSY;1P,-,AUTO		R155	2001-000281	R-CARBON;100ohm,5%,1/8W,AA,TP,1.8x3.2mm	
GT101A	AA39-20010D	LEAD-CONNECTOR,ASSY;-YFH800-01,S,1P,400		R156	2001-000793	R-CARBON;47ohm,5%,1/8W,AA,TP,1.8x3.2mm	
IC201	1204-001296	IC-CHROMA;KA2163B,DIP,56P,-,PLASTIC,12V,		R157	2001-000568	R-CARBON;270HM,5%,1/8W,AA,TP,1.8x3.2MM	
IC301	1204-000475	IC-VIDEO SYSTEM;KA2131,SIP,10P,-,PLASTIC		R158	2001-000007	R-CARBON;3Kohm,5%,1/8W,AA,TP,1.8x3.2mm	
IC601	1201-001298	IC-POWER AMP;4425,SIP,5P,9.5MIL,MONO,45d		R159	2001-000007	R-CARBON;3Kohm,5%,1/8W,AA,TP,1.8x3.2mm	
IC602	1201-001298	IC-POWER AMP;4425,SIP,5P,9.5MIL,MONO,45d		R201	2001-000429	R-CARBON;1Kohm,5%,1/8W,AA,TP,1.8x3.2mm	

Electric Parts List

Loc. No.	Code No.	Description ; Specification	Remark	Loc. No.	Code No.	Description ; Specification	Remark
R202	2001-000734	R-CARBON:4.7Kohm,5%,1/8W,AA,TP,1.8x3.2mm		R503	2001-000007	R-CARBON:3Kohm,5%,1/8W,AA,TP,1.8x3.2mm	
R203	2001-000734	R-CARBON:4.7Kohm,5%,1/8W,AA,TP,1.8x3.2mm		R504	2003-000510	R-METAL OXIDE(S):15Kohm,5%,2W,AA,TP,4x12	
R204	2001-000995	R-CARBON :820 OHM,5%,1/8W,AA,T		R505	2003-000510	R-METAL OXIDE(S):15Kohm,5%,2W,AA,TP,4x12	
R205	2001-000995	R-CARBON :820 OHM,5%,1/8W,AA,T		R506	2003-000510	R-METAL OXIDE(S):15Kohm,5%,2W,AA,TP,4x12	
R206	2001-000995	R-CARBON :820 OHM,5%,1/8W,AA,T		R507	2001-000281	R-CARBON:100ohm,5%,1/8W,AA,TP,1.8x3.2mm	
R207	2001-001111	R-CARBON(S):240ohm,5%,1/2W,AA,TP,2.4x6.4		R508	2001-000281	R-CARBON:100ohm,5%,1/8W,AA,TP,1.8x3.2mm	
R208	2001-000515	R-CARBON:220ohm,5%,1/8W,AA,TP,1.8x3.2mm		R509	2001-000281	R-CARBON:100ohm,5%,1/8W,AA,TP,1.8x3.2mm	
R209	2001-000515	R-CARBON:220ohm,5%,1/8W,AA,TP,1.8x3.2mm		R510	2001-000628	R-CARBON:300OHM,5%,1/8W,AA,TP,1.8X3.2MM	
R210	2001-000515	R-CARBON:220ohm,5%,1/8W,AA,TP,1.8x3.2mm		R511	2001-000628	R-CARBON:300OHM,5%,1/8W,AA,TP,1.8X3.2MM	
R211	2001-000281	R-CARBON:100ohm,5%,1/8W,AA,TP,1.8x3.2mm		R512	2001-000628	R-CARBON:300OHM,5%,1/8W,AA,TP,1.8X3.2MM	
R212	2001-000281	R-CARBON:100ohm,5%,1/8W,AA,TP,1.8x3.2mm		R513	2001-000666	R-CARBON:33ohm,5%,1/8W,AA,TP,1.8x3.2mm	
R213	2001-000837	R-CARBON:51Kohm,5%,1/8W,AA,TP,1.8x3.2mm		R514	2001-000666	R-CARBON:33ohm,5%,1/8W,AA,TP,1.8x3.2mm	
R214	2001-000290	R-CARBON:10Kohm,5%,1/8W,AA,TP,1.8x3.2mm		R515	2002-001006	R-COMPOSITION:4.7KOHM,10%,1/2W,AA,TP,3.7	
R215	2001-000331	R-CARBON:12Kohm,5%,1/8W,AA,TP,1.8x3.2mm		R517	2001-000666	R-CARBON:33ohm,5%,1/8W,AA,TP,1.8x3.2mm	
R218	2001-000591	R-CARBON:3.3Kohm,5%,1/8W,AA,TP,1.8x3.2m		△R518	2008-001015	R-FUSIBLE(S):1.5ohm,5%,2W,AF,TP,3.9x10mm	
R219	2001-000674	R-CARBON:360ohm,5%,1/8W,AA,TP,1.8x3.2mm		R599	2008-000226	R-FUSIBLE:22ohm,5%,1/2W,AA,TP,4.7x11mm	
R222	2001-000773	R-CARBON:470Kohm,5%,1/8W,AA,TP,1.8x3.2m		R602	2001-000786	R-CARBON:47Kohm,5%,1/8W,AA,TP,1.8x3.2mm	
R223	2001-000780	R-CARBON:470ohm,5%,1/8W,AA,TP,1.8x3.2mm		R603	2001-000786	R-CARBON:47Kohm,5%,1/8W,AA,TP,1.8x3.2mm	
R226	2001-000397	R-CARBON:180Kohm,5%,1/8W,AA,TP,1.8x3.2m		R604	2001-000591	R-CARBON:3.3Kohm,5%,1/8W,AA,TP,1.8x3.2m	
R227	2001-000508	R-CARBON:220Kohm,5%,1/8W,AA,TP,1.8x3.2m		R605	2001-000290	R-CARBON:10Kohm,5%,1/8W,AA,TP,1.8x3.2mm	
R228	2001-000258	R-CARBON:1.8Kohm,5%,1/8W,AA,TP,1.8x3.2m		R610	2001-000577	R-CARBON :2KOHM,5%,1/8W,AA,TP,	
R229	2001-000258	R-CARBON:1.8Kohm,5%,1/8W,AA,TP,1.8x3.2m		R611	2001-000429	R-CARBON:1Kohm,5%,1/8W,AA,TP,1.8x3.2mm	
R230	2001-000591	R-CARBON:3.3Kohm,5%,1/8W,AA,TP,1.8x3.2m		R614	2001-001152	R-CARBON(S):47Kohm,5%,1/2W,AA,TP,2.4x6.4	
R231	2001-000660	R-CARBON:33Kohm,5%,1/8W,AA,TP,1.8x3.2mm		R615	2001-001088	R-CARBON(S):1Kohm,5%,1/2W,AA,TP,2.4x6.4m	
R233	2004-001234	R-METAL:75Kohm,5%,1/8W,AA,TP,1.8x3.2mm		R701	2001-001187	R-CARBON(S):75ohm,5%,1/2W,AA,TP,2.4x6.4m	
R234	2001-000405	R-CARBON :180 OHM,5%,1/8W,AA,T		R702	2001-000085	R-CARBON(S):100kohm,5%,1/2W,AA,TP,2.4x6.	
R235	2001-000273	R-CARBON:100Kohm,5%,1/8W,AA,TP,1.8x3.2m		R703	2001-000734	R-CARBON:4.7Kohm,5%,1/8W,AA,TP,1.8x3.2m	
R236	2001-000548	R-CARBON:270Kohm,5%,1/8W,AA,TP,1.8x3.2m		R801	2001-001150	R-CARBON(S):470Kohm,5%,1/2W,AA,TP,2.4x6.	
R237	2001-000290	R-CARBON:10Kohm,5%,1/8W,AA,TP,1.8x3.2mm		R802	2003-000994	R-METAL OXIDE(S):33Kohm,5%,2W,AF,TP,3.9x	
R239	2001-000947	R-CARBON:7.5KOHM,5%,1/8W,AA,TP,1.8X3.2M		R803	2003-000994	R-METAL OXIDE(S):33Kohm,5%,2W,AF,TP,3.9x	
R240	2001-000577	R-CARBON :2KOHM,5%,1/8W,AA,TP,		R805	2002-001013	R-COMPOSITION:4.7Mohm,10%,1/2W,AA,TP,3.7	
R241	2001-000429	R-CARBON:1Kohm,5%,1/8W,AA,TP,1.8x3.2mm		R806	2001-001071	R-CARBON(S):12Kohm,5%,1/2W,AA,TP,2.4x6.4	
R242	2001-000221	R-CARBON:1.2Kohm,5%,1/8W,AA,TP,1.8x3.2m		R807	2001-001071	R-CARBON(S):12Kohm,5%,1/2W,AA,TP,2.4x6.4	
R251	2001-000591	R-CARBON:3.3Kohm,5%,1/8W,AA,TP,1.8x3.2m		R808	2001-001150	R-CARBON(S):470Kohm,5%,1/2W,AA,TP,2.4x6.	
R252	2001-000591	R-CARBON:3.3Kohm,5%,1/8W,AA,TP,1.8x3.2m		R809	2008-000205	R-FUSIBLE(S):10ohm,5%,1/2W,AF,TP,2.5x6.5	
R253	2001-000591	R-CARBON:3.3Kohm,5%,1/8W,AA,TP,1.8x3.2m		R811	2001-001170	R-CARBON(S):6.8OHM,5%,1/2W,AA,TP,2.4X6.4	
R257	2008-000266	R-FUSIBLE(S):1ohm,5%,2W,AF,TP,3.9x10mm		R812	2008-000252	R-FUSIBLE(S):0.47ohm,10%,1/2W,AF,TP,2.5x	
R301	2001-000429	R-CARBON:1Kohm,5%,1/8W,AA,TP,1.8x3.2mm		R817	2001-001111	R-CARBON(S):240ohm,5%,1/2W,AA,TP,2.4x6.4	
R302	2001-000003	R-CARBON:330ohm,5%,1/8W,AA,TP,1.8x3.2mm		R818	2001-001111	R-CARBON(S):240ohm,5%,1/2W,AA,TP,2.4x6.4	
R303	2001-000864	R-CARBON:56Kohm,5%,1/8W,AA,TP,1.8x3.2mm		R819	2008-001011	R-FUSIBLE(S):0.18ohm,10%,2W,AF,TP,3.9x10	
R304	2003-001036	R-METAL OXIDE(S):3.3ohm,5%,2W,AF,TP,3.9x		R821	2004-004089	R-METAL:123Kohm,1%,1/2W,AA,TP,2.5x6.5m	
R305	2001-000660	R-CARBON:33Kohm,5%,1/8W,AA,TP,1.8x3.2mm		R822	2001-000022	R-CARBON(S):33ohm,5%,1/2W,AA,TP,2.4x6.4m	
R306	2004-001301	R-METAL:82Kohm,5%,1/8W,AA,TP,1.8x3.2mm		R823	2001-001178	R-CARBON(S):680ohm,5%,1/2W,AA,TP,2.4x6.4	
R307	2001-000679	R-CARBON:36KOHM,5%,1/8W,AA,TP,1.8X3.2MM		R824	2001-001125	R-CARBON(S):300kohm,5%,1/2W,AA,TP,2.4x6.	
R308	2001-000633	R-CARBON:30Kohm,5%,1/8W,AA,TP,1.8x3.2mm		R852	2001-001088	R-CARBON(S):1Kohm,5%,1/2W,AA,TP,2.4x6.4m	
R309	2003-000649	R-METAL OXIDE(S):330ohm,5%,1W,AF,TP,3.3x		R853	2001-001054	R-CARBON(S):1.6kohm,5%,1/2W,AA,TP,2.4x6.	
R401	2001-000780	R-CARBON:470ohm,5%,1/8W,AA,TP,1.8x3.2mm		R854	2004-001983	R-METAL:2.49Kohm,1%,1/2W,AA,TP,2.4x6.4	
R402	2001-000515	R-CARBON:220ohm,5%,1/8W,AA,TP,1.8x3.2mm		R901	2001-000793	R-CARBON:47ohm,5%,1/8W,AA,TP,1.8x3.2mm	
R403	2001-001114	R-CARBON(S) :270ohm,5%,1/2W,AA,TP,2.4x		R902	2001-000429	R-CARBON:1Kohm,5%,1/8W,AA,TP,1.8x3.2mm	
R404	2001-000020	R-CARBON(S):22ohm,5%,1/2W,AA,TP,2.4x6.4m		R903	2001-000281	R-CARBON:100ohm,5%,1/8W,AA,TP,1.8x3.2mm	
R405	2003-000540	R-METAL OXIDE(S):1Kohm,5%,2W,AF,TP,4x12		R904	2001-000281	R-CARBON:100ohm,5%,1/8W,AA,TP,1.8x3.2mm	
R406	2008-001069	R-FUSIBLE(S):300ohm,5%,2W,AA,TP,3.9x10mm		R906	2001-000472	R-CARBON:2.7Kohm,5%,1/8W,AA,TP,1.8x3.2m	
R407	2003-000994	R-METAL OXIDE(S):33Kohm,5%,2W,AF,TP,3.9x		R907	2001-000995	R-CARBON :820 OHM,5%,1/8W,AA,T	
R408	2004-001390	R-METAL(S):1Kohm,2%,1/2W,AA,TP,2.4x6.4mm		R908	2001-000252	R-CARBON:1.6Kohm,5%,1/8W,AA,TP,1.8x3.2m	
R409	2008-000253	R-FUSIBLE(S):0.47ohm,5%,1W,AF,TP,3.9x10m		R910	2001-000995	R-CARBON :820 OHM,5%,1/8W,AA,T	
R410	2008-000206	R-FUSIBLE(S):1ohm,5%,1/2W,AF,TP,2.5x6.5m		R911	2001-000290	R-CARBON:10Kohm,5%,1/8W,AA,TP,1.8x3.2mm	
R411	2004-001377	R-METAL(S):120Kohm,1%,1/2W,AA,TP,2.4x6.4		R914	2001-000577	R-CARBON :2KOHM,5%,1/8W,AA,TP,	
R412	2004-001377	R-METAL(S):120Kohm,1%,1/2W,AA,TP,2.4x6.4		R915	2001-000734	R-CARBON:4.7Kohm,5%,1/8W,AA,TP,1.8x3.2m	
R413	2001-001037	R-CARBON(S):0.39ohm,5%,1/2W,AA,TP,2.4x6.		R916	2001-000947	R-CARBON:7.5KOHM,5%,1/8W,AA,TP,1.8X3.2M	
R415	2003-000784	R-METAL OXIDE(S):7.5Kohm,5%,2W,AF,TP,4x1		R917	2001-000947	R-CARBON:7.5KOHM,5%,1/8W,AA,TP,1.8X3.2M	
R416	2001-000022	R-CARBON(S):33ohm,5%,1/2W,AA,TP,2.4x6.4m		R918	2001-000947	R-CARBON:7.5KOHM,5%,1/8W,AA,TP,1.8X3.2M	
R417	2001-001410	R-CARBON(S):43ohm,5%,1/2W,AA,TP,2.4x6.4m		R919	2001-000977	R-CARBON:8.2Kohm,5%,1/8W,AA,TP,1.8x3.2m	
R444	2001-001099	R-CARBON(S):2.7Kohm,5%,1/2W,AA,TP,2.4x6.		R920	2001-000522	R-CARBON:22Kohm,5%,1/8W,AA,TP,1.8x3.2mm	
R501	2001-000007	R-CARBON:3Kohm,5%,1/8W,AA,TP,1.8x3.2mm		R921	2001-000290	R-CARBON:10Kohm,5%,1/8W,AA,TP,1.8x3.2mm	
R502	2001-000007	R-CARBON:3Kohm,5%,1/8W,AA,TP,1.8x3.2mm		R922	2001-000281	R-CARBON:100ohm,5%,1/8W,AA,TP,1.8x3.2mm	



## 7-11 CT5066BZX/STR (CT3366BZX/XAP AND CT5066BZX/STR Dissimilar Parts)

Loc. No.	Code No.	Description ; Specification	Remark	Loc. No.	Code No.	Description ; Specification	Remark
<b>ASSY-PCB,MAIN</b>							
*	AA94-10140H	ASSY-PCB,MAIN(OPT);CT5066BZX/STR,K15A,PERU,-		*	AA90-70100P	ASSY-CABINET;5066,CT5066BZX/STR	
C301	2301-000223	C-FILM,PEF;22nF,5%,100V,TP,7.2x4.5x9.0mm,			AA64-30680B	CABINET-BACK;-;5066,-;HIPS,HB,BLK,-;-	
C302	2201-000556	C-CERAMIC,DISC;470pF,10%,500V,Y5P,TP,7x4.5			AA65-30107A	CLAMP-D,COIL;NYLON 66,V2,NTR,-;20-22 INCH,-	
C305	2305-000149	C-FILM,MPEF;100nF,5%,100V,TP,12x12.5x6.5		<b>ASSY-CABINET,FRONT</b>			
C402	2306-000355	C-FILM,MPPF;7.4nF,5%,1.6KV,TP,28.5x18.5x12		*	AA91-10360C	ASSY-CABINET,FRONT;-;CT-5066BZ,BK-708P EGB TVI,HB	
△ C403	2201-000406	C-CERAMIC,DISC;270pF,10%,2KV,Y5P,TP,8x6.7.5			AA63-30072Z	COVER-CONTROL,A;-;CT-5066BZ,KSP213 EG,HIPS,VO,	
C404	2306-000193	C-FILM,MPPF;360nF,5%,200V,TP,21x18.5x13.7			AA63-50196A	GRILLE-WOOFER;-;5066,PA110,SECC,T0.5,-;-	
R204	2001-000221	R-CARBON;1.2Kohm,5%,1/8W,AA,TP,1.8x3.2m			AA64-10560E	KNOB-POWER;-;38.5066,TACT,ABS,HB,M/B	
R205	2001-000221	R-CARBON;1.2Kohm,5%,1/8W,AA,TP,1.8x3.2m			AA64-30678K	CABINET-FRONT;-;5066,BK-708P AMER B TVI,HIPS	
R206	2001-000221	R-CARBON;1.2Kohm,5%,1/8W,AA,TP,1.8x3.2m			AA64-60284F	INLAY-AV;50.5366,KSP213 TVI NT EG,PS,T0	
R214	2001-000331	R-CARBON;12Kohm,5%,1/8W,AA,TP,1.8x3.2mm			AA64-70010D	BADGE-BRAND;AL,SS R2000 25,GOLD,L50,-;-;-	
R226	2001-000508	R-CARBON;220Kohm,5%,1/8W,AA,TP,1.8x3.2m		<b>ASSY-CRT</b>			
R304	2003-000436	R-METAL OXIDE(S);1.5ohm,5%,1W,AF,TP,3.3x9mm			AA94-50020M	ASSY-CRT;A48KRD82X(HB),0MG,20,BARE,CT5	
R305	2001-000947	R-CARBON;7.5Kohm,5%,1/8W,AA,TP,1.8x3.2m			AA03-10030L	CRT-COLOR;-;A48KRD82X(HB),0mG,20,90deg,	
R306	2001-000766	R-CARBON;43Kohm,5%,1/8W,AA,TP,1.8x3.2mm		△	AA27-50004W	DEFLECTION-YOKE;-;DSE-1992LL(1H),20/A48KRD82X	
R307	2001-000864	R-CARBON;56Kohm,5%,1/8W,AA,TP,1.8x3.2mm		△	AA27-60001D	MAGNET-CONVERGENCE;-;JH-291-(JH-8210),29.1mm	
R404	2001-001136	R-CARBON(S);36ohm,5%,1/2W,AA,TP,2.4x6.4mm		<b>ASSY-PCB,A/V FRONT</b>			
RH01	2002-001006	R-COMPOSITION;4.7Kohm,10%,1/2W,AA,TP,3.7x9mm		*	AA95-90032S	ASSY-PCB,A/V FRONT;-;5066,K15A,NTSC,-;-	
RH02	2002-001006	R-COMPOSITION;4.7Kohm,10%,1/2W,AA,TP,3.7x9mm		CN702	AA39-20098A	LEAD-CONNECTOR,ASSY;-;YBNH025-09,67096-009,9P,200,	
R309	2003-001043	R-METAL OXIDE(S);510ohm,5%,1W,AF,TP,2.5x6.5mm		<b>ASSY-HOLDER,SPK</b>			
RU10	2004-001193	R-METAL;680ohm,5%,1/8W,AA,TP,1.8x3.2mm		*	AA91-60302A	ASSY-HOLDER,SPK;-;8ohm6W,R700L350,4P/RBYB,5066	
R411	2004-001373	R-METAL(S);100Kohm,1%,1/2W,AA,TP,2.4x6.4m					
R412	2004-001373	R-METAL(S);100Kohm,1%,1/2W,AA,TP,2.4x6.4m					
R303	2004-001990	R-METAL;62Kohm,5%,1/8W,AA,TP,1.8x3.2mm					
R308	2004-001990	R-METAL;62Kohm,5%,1/8W,AA,TP,1.8x3.2mm					
△ R518	2008-000266	R-FUSIBLE(S);1ohm,5%,2W,AF,TP,3.9x10mm					
△ V999	3704-001090	SOCKET-CRT;9P,15.24PI,26.5PI,SN,-					
△ T444	AA26-30001Y	TRANS-FLYBACK;-;FSV-20A001,20,125V					
△ CN802	AA27-20003X	COIL-DEGAUSSING;-;20,14.4ohm,48T,L2170,E					
CN501	AA39-20109A	LEAD-CONNECTOR,ASSY;-;YBNH025-08,S,8P,400,1007#26					
<b>ASSY-CABINET</b>							

## 7-12 CT5066BZX/XAP (CT3366BZX/XAP AND CT5066BZX/XAP Dissimilar Parts)

Loc. No.	Code No.	Description ; Specification	Remark	Loc. No.	Code No.	Description ; Specification	Remark
<b>ASSY-PCB,MAIN</b>				<b>ASSY-CABINET</b>			
*	AA94-10140J	ASSY-PCB,MAIN(OPT);CT5066BZX/XAP;K15A,PANAMA,-		*	AA90-70100N	ASSY-CABINET;5066,CT5066BZX/XAP	
C301	2301-000223	C-FILM,PEF;22nF,5%,100V,TP,7.2x4.5x9.0mm,		AA64-30680B	CABINET-BACK;-;5066,-;HIPS,HB,BLK,-,-		
C302	2201-000556	C-CERAMIC,DISC;470pF,10%,500V,Y5P,TP,7x4.5		AA65-30107A	CLAMP-D,COIL;NYLON 66,V2,NTR,-;20-22 INCH,-		
C305	2305-000149	C-FILM,MPEF;100nF,5%,100V,TP,12x12.5x6.5,5		<b>ASSY-CABINET,FRONT</b>			
C402	2306-000355	C-FILM,MPPF;7.4nF,5%,1.6KV,TP,28.5x18.5x12		AA91-10360C	ASSY-CABINET,FRONT;-;CT-5066BZ,BK-708P EGB TVI,HB		
△ C403	2201-000406	C-CERAMIC,DISC;270pF,10%,2KV,Y5P,TP,8x6,7.5		AA63-30072Z	COVER-CONTROL,A;-;CT-5066BZ,KSP213 EG,HIPS,VO,		
C404	2306-000193	C-FILM,MPPF;360nF,5%,200V,TP,21x18.5x13,7.		AA63-50196A	GRILLE-WOOFER;-;5066,PA110,SECC,T0.5,-,-		
CN501	AA39-20109A	LEAD-CONNECTOR,ASSY;-;YBNH025-08,S,8P,400,1007#26		AA64-10560E	KNOB-POWER;-;38.5066,TACT,ABS,HB,M/B		
△ CN802	AA27-20003X	COIL-DEGAUSSING;-;20,14.4ohm,4BT,L2170,E		AA64-30678K	CABINET-FRONT;-;5066,BK-708P AMER B TVI,HIPS		
R204	2001-000221	R-CARBON;1.2Kohm,5%,1/8W,AA,TP,1.8x3.2m		AA64-60284F	INLAY-AV;50.5366,KSP213 TVI NT EG,PS,TO		
R205	2001-000221	R-CARBON;1.2Kohm,5%,1/8W,AA,TP,1.8x3.2m		AA64-70010D	BADGE-BRAND;AL,SS R2000 25,GOLD,L50,-,-,-		
R206	2001-000221	R-CARBON;1.2Kohm,5%,1/8W,AA,TP,1.8x3.2m		<b>ASSY-CRT</b>			
R214	2001-000331	R-CARBON;12Kohm,5%,1/8W,AA,TP,1.8x3.2mm		*	AA94-50019L	ASSY-CRT;A48KRD82X(HB);+380MG,20,BARE,	
R226	2001-000508	R-CARBON;220Kohm,5%,1/8W,AA,TP,1.8x3.2mm		△	AA03-10029Z	CRT-COLOR;-;A48KRD82X(HB);+380mG,20,90d	
R303	2004-001990	R-METAL;62Kohm,5%,1/8W,AA,TP,1.8x3.2mm		△	AA27-50004W	DEFLECTION-YOKE;-;DSE-1992LL(1H),20/A48KRD82X	
R304	2003-000436	R-METAL OXIDE(S);1.5ohm,5%,1W,AF,TP,3.3x9mm			AA27-60001D	MAGNET-CONVERGENCE;-;JH-291-(JH-8210),29.1mm	
R305	2001-000947	R-CARBON;7.5Kohm,5%,1/8W,AA,TP,1.8x3.2m		<b>ASSY-PCB,A/V FRONT</b>			
R306	2001-000766	R-CARBON;43Kohm,5%,1/8W,AA,TP,1.8x3.2mm		*	AA95-90032S	ASSY-PCB,A/V FRONT;-;5066,K15A,NTSC,-,-	
R307	2001-000864	R-CARBON;56Kohm,5%,1/8W,AA,TP,1.8x3.2mm		CN702	AA39-20098A	LEAD-CONNECTOR,ASSY;-;YBNH025-09,67096-009,9P,200,	
R308	2004-001990	R-METAL;62Kohm,5%,1/8W,AA,TP,1.8x3.2mm		PCB	AA41-10595A	PCB-A/V;K1,1L,FR-1,245x330x1.6T,6EA,10	
R309	2003-001043	R-METAL OXIDE(S);510ohm,5%,1W,AF,TP,2.5x6.5mm		<b>ASSY-HOLDER,SPK</b>			
R404	2001-001136	R-CARBON(S);36ohm,5%,1/2W,AA,TP,2.4x6.4mm		*	AA91-60302A	ASSY-HOLDER,SPK;-;8ohm6W,R700L350,4P/RBYB,5066	
R411	2004-001373	R-METAL(S);100Kohm,1%,1/2W,AA,TP,2.4x6.4m					
R412	2004-001373	R-METAL(S);100Kohm,1%,1/2W,AA,TP,2.4x6.4m					
R518	2008-000266	R-FUSIBLE(S);1ohm,5%,2W,AF,TP,3.9x10mm					
RH01	2002-001006	R-COMPOSITION;4.7Kohm,10%,1/2W,AA,TP,3.7x9mm					
RH02	2002-001006	R-COMPOSITION;4.7Kohm,10%,1/2W,AA,TP,3.7x9mm					
RU10	2004-001193	R-METAL;680ohm,5%,1/8W,AA,TP,1.8x3.2mm					
△ T444	AA26-30001Y	TRANS-FLYBACK;-;FSV-20A001,20,125V					
△ V999	3704-001090	SOCKET-CRT;9P,15.24PI,26.5PI,SN,-					

## 7-13 CT3366BZX/STR (CT3366BZX/XAP AND CT3366BZX/STR Dissimilar Parts)

Loc. No.	Code No.	Description ; Specification	Remark	Loc. No.	Code No.	Description ; Specification	Remark
<b>ASSY-PCB,MAIN</b>				<b>ASSY-ACCESSORY</b>			
*	AA94-10138B	ASSY-PCB,MAIN(OPT);CT3366BZX/STR,K15A,PERU,-		*	AA94-30077Z	ASSY-ACCESSORY;CT3366BZX/STR,K15A,PERU	
<b>ASSY-CABINET</b>				<b>ASSY-CRT</b>			
*	AA90-70107C	ASSY-CABINET;3366,CT3366BZX/STR		*	AA94-50013W	ASSY-CRT;A34KQV42X(B),0mG,14,BARE,CN33	
				△	AA03-10003J	CRT-COLOR;-;A34KQV42X(B),0MG,14,90DEG,5	





Loc. No.	Code No.	Description ; Specification	Remark	Loc. No.	Code No.	Description ; Specification	Remark
CN501	AA39-20109D	LEAD-CONNECTOR, ASSY;-, YBNH025-08, S, 8P, 30		IC802	1203-001532	IC-POSI.FIXED REG.;7631, SIP, 10P, -, PLASTI	
CN601	3711-002643	CONNECTOR-HEADER:BOX, 4P, 1R, 2.5MM, STRAIGH		IC901	AA13-30020A	IC-MCU;-, Z8933412PSC-R3757, 16BIT, SDIP	
CN701	3711-002646	CONNECTOR-HEADER:BOX, 7P, 1R, 2.5mm, STRAIGH		IC902	1103-001107	IC-EEPROM;24C020, 256x8BIT, DIP, 8P, 300MIL,	
△ CN802	AA27-20003U	COIL-DEGAUSSING;-, 14, 16.4ohm, 75T, 890mm,		JA701	3722-000162	JACK-PIN;2P, 3.4MM, SN, BLACK, -	
CU02	2305-000665	C-FILM, MPEF;100nf, 5%, 63V, TP, 7.5x4.0x5.0m		JU13	2001-000429	R-CARBON;1Kohm, 5%, 1/8W, AA, TP, 1.8x3.2mm	
D101	0403-000700	DIODE-ZENER;TZP33A, 33V, 31-35V, 1W, DO-41, T		L102	2701-000207	INDUCTOR-AXIAL;56uH, 5%, 2.5x3.4mm	
D102	0403-000296	DIODE-ZENER;MTZ5.6B, 5.6V, 5.45-5.73V, 500m		L152	2701-000326	INDUCTOR-AXIAL;560nH, 10%, 2.3x3.4mm	
D103	0402-000132	DIODE-RECTIFIER;1N4004, 400V, 1A, DO-41, TP		L201	AA26-10004K	TRANS-IF;-, 7MG, SIF, 11.5uH, 7mm, 100pF, 4.8	
D201	0403-000663	DIODE-ZENER;MTZ3.3B, 3.3V, 3.32-3.53V, 500m		L202	2701-000207	INDUCTOR-AXIAL;56uH, 5%, 2.5x3.4mm	
D202	0401-000005	DIODE-SWITCHING;1N4148, 75V, 300mA, DO-35, T		L203	2701-000158	INDUCTOR-AXIAL;22uH, 10%, 2.5x3.4mm	
D203	0403-000563	DIODE-SWITCHING;1N4148, 75V, 300mA, DO-35, T		L204	2701-000207	INDUCTOR-AXIAL;100uH, 5%, 2.5x3.4mm	
D204	0401-000005	DIODE-SWITCHING;1N4148, 75V, 300mA, DO-35, T		L205	AA26-10004C	TRANS-IF;-, 7MG, VIF, 0.37uH, 7mm, 27pF, 52.3	
D205	0403-000295	DIODE-ZENER;MTZ5.1B, 5.1V, 4.94-5.20V, 500m		L206	2701-000111	INDUCTOR-AXIAL;100uH, 10%, 2.5x3.4mm	
D206	0401-000005	DIODE-SWITCHING;1N4148, 75V, 300mA, DO-35, T		L208	2701-000114	INDUCTOR-AXIAL;10uH, 10%, 2.5x3.4mm	
D207	0401-000005	DIODE-SWITCHING;1N4148, 75V, 300mA, DO-35, T		L301	2701-000116	INDUCTOR-AXIAL;10uH, 10%, 4.2x9.8mm	
D208	0402-000132	DIODE-RECTIFIER;1N4004, 400V, 1A, DO-41, TP		△ L401	AA27-30001B	COIL-LINEARITY;-, 195UH, QIC1010, P10, 4, 4.5	
D210	0403-000563	DIODE-ZENER;MTZ9.1B, 9.1V, 8.57-9.01V, 500m		△ L402	2701-001032	INDUCTOR-AXIAL;100uH, 10%, 5x14mm	
D299	0403-000654	DIODE-ZENER;MTZ12B, 12V, 11.44-12.03V, 500m		L501	2701-000184	INDUCTOR-AXIAL;4.7uH, 10%, 2.5x3.4mm	
D301	0402-001105	DIODE-RECTIFIER;ERB43-04SV1, 400V, 1.0A, -		L502	2701-000184	INDUCTOR-AXIAL;4.7uH, 10%, 2.5x3.4mm	
D302	0403-000654	DIODE-ZENER;MTZ12B, 12V, 11.44-12.03V, 500m		L503	2701-000184	INDUCTOR-AXIAL;4.7uH, 10%, 2.5x3.4mm	
D401	0402-000132	DIODE-RECTIFIER;1N4004, 400V, 1A, DO-41, TP		L601	2901-000297	FILTER-EMI ON BOARD;-, 3A, -, 3.5x5, TP,-	
D402	0402-000132	DIODE-RECTIFIER;1N4004, 400V, 1A, DO-41, TP		L602	2701-000158	INDUCTOR-AXIAL;22uH, 10%, 2.5x3.4mm	
D403	0402-001105	DIODE-RECTIFIER;ERB43-04SV1, 400V, 1.0A, -		L801	AA29-30001D	FILTER-LINE;-, 6.0mH, 2A, -, SQ1913	
D404	0402-001105	DIODE-RECTIFIER;ERB43-04SV1, 400V, 1.0A, -		L802	3301-000287	CORE-FERRITE BEAD;AA, 3.5x1x6mm, 1500, 2400	
D405	0402-001105	DIODE-RECTIFIER;ERB43-04SV1, 400V, 1.0A, -		L803	2901-000297	FILTER-EMI ON BOARD;-, 3A, -, 3.5x5, TP,-	
D407	0402-001105	DIODE-RECTIFIER;ERB43-04SV1, 400V, 1.0A, -		L804	3301-000287	CORE-FERRITE BEAD;AA, 3.5x1x6mm, 1500, 2400	
D601	0401-000005	DIODE-SWITCHING;1N4148, 75V, 300mA, DO-35, T		L805	2901-000299	FILTER-EMI ON BOARD;-, 6A, UL/CSA, -, 9x7.5,	
D701	0403-000563	DIODE-ZENER;MTZ9.1B, 9.1V, 8.57-9.01V, 500m		L809	2901-000299	FILTER-EMI ON BOARD;-, 6A, UL/CSA, -, 9x7.5,	
D704	0403-000563	DIODE-ZENER;MTZ9.1B, 9.1V, 8.57-9.01V, 500m		L810	AA27-10002Y	COIL-CHOKE;-, 100UH, K, 10, 700MA, T, 100UH-K(	
D802	0402-000540	DIODE-RECTIFIER;RU20A, 600V, 1.5A, -		L811	2901-000299	FILTER-EMI ON BOARD;-, 6A, UL/CSA, -, 9x7.5,	
D803	0402-001105	DIODE-RECTIFIER;ERB43-04SV1, 400V, 1.0A, -		L901	2701-000197	INDUCTOR-AXIAL;5.6uH, 10%, 2.5x3.4mm	
D805	0402-000213	DIODE-RECTIFIER;ERB12-06, 600V, 1.0A, DO-41		L902	2701-000114	INDUCTOR-AXIAL;10uH, 10%, 2.5x3.4mm	
D806	0401-000005	DIODE-SWITCHING;1N4148, 75V, 300mA, DO-35, T		L999	2701-000115	INDUCTOR-AXIAL;10uH, 10%, 2.8x7mm	
△ D807	0402-000213	DIODE-RECTIFIER;ERB12-06, 600V, 1.0A, DO-41		LD901	AA96-30007A	ASSY-LED, GUIDE;-, AA61-50055A, DL-G7GA, GRE	
△ D808	0402-000213	DIODE-RECTIFIER;ERB12-06, 600V, 1.0A, DO-41		△ NT801	1404-000187	THERMISTOR-NTC;4.7ohm, 15%, 2800K, 27.2mW/C	
△ D809	0402-000213	DIODE-RECTIFIER;ERB12-06, 600V, 1.0A, DO-41		△ P801	1404-001048	THERMISTOR-PTC;7ohm, 30%, 200/220V, 270V, 19	
△ D810	0402-000213	DIODE-RECTIFIER;ERB12-06, 600V, 1.0A, DO-41		△ PC802	0604-001038	PHOTO-COUPLER;TR, 130-260%, 200mW, DIP-4, ST	
D814	0404-001056	DIODE-SCHOTTKY;RK16, 60V, 1.5A, DO-204AC, TP		Q151	0501-000436	TR-SMALL SIGNAL;KTC3197, NPN, 625mW, TO-92,	
D855	0403-000296	DIODE-ZENER;MTZ5.6B, 5.6V, 5.45-5.73V, 500m		Q201	0501-002183	TR-SMALL SIGNAL;KTC9014, NPN, 625mW, TO-92,	
D856	0403-000296	DIODE-ZENER;MTZ5.6B, 5.6V, 5.45-5.73V, 500m		Q202	0501-002183	TR-SMALL SIGNAL;KTC9014, NPN, 625mW, TO-92,	
D902	0403-000296	DIODE-ZENER;MTZ5.6B, 5.6V, 5.45-5.73V, 500m		Q203	0501-002183	TR-SMALL SIGNAL;KTC9014, NPN, 625mW, TO-92,	
D903	0401-000005	DIODE-SWITCHING;1N4148, 75V, 300mA, DO-35, T		△ Q401	0502-001115	TR-POWER;KSC5386, NPN, 50W, TO-3PF, ST, 8-	
D904	0401-000005	DIODE-SWITCHING;1N4148, 75V, 300mA, DO-35, T		Q402	0501-000369	TR-SMALL SIGNAL;KSC2331-Y, NPN, 1W, TO-92L,	
D905	0403-000296	DIODE-ZENER;MTZ5.6B, 5.6V, 5.45-5.73V, 500m		Q501	0501-002014	TR-SMALL SIGNAL;KSC2330-R, NPN, 1W, TO-92L,	
D906	0403-000296	DIODE-ZENER;MTZ5.6B, 5.6V, 5.45-5.73V, 500m		Q502	0501-002014	TR-SMALL SIGNAL;KSC2330-R, NPN, 1W, TO-92L,	
DZ801	1405-000152	VARIABLE;560V, 2500A, 14x8.5mm, TP		Q503	0501-002014	TR-SMALL SIGNAL;KSC2330-R, NPN, 1W, TO-92L,	
DZ802	0403-000300	DIODE-ZENER;MTZ8.2B, 7.78-8.19V, 500mW, DO-		Q601	0502-000242	TR-POWER;KSA614, PNP, 25W, TO-220, TP, 40-24	
DZ803	0403-000296	DIODE-ZENER;MTZ5.6B, 5.6V, 5.45-5.73V, 500m		Q602	0501-002183	TR-SMALL SIGNAL;KTC9014, NPN, 625mW, TO-92,	
DZ806	0403-000294	DIODE-ZENER;MTZ4.7B, 4.55-4.80V, 500mW, DO-		Q801	1203-001217	IC-POSI.ADJUST REG.;431, TO-92, 3P, 4.58MIL	
DZ807	0403-000297	DIODE-ZENER;MTZ6.2B, 6.2V, 5.96-6.27V, 500m		Q902	0501-002183	TR-SMALL SIGNAL;KTC9014, NPN, 625mW, TO-92,	
DZ901	0403-000296	DIODE-ZENER;MTZ5.6B, 5.6V, 5.45-5.73V, 500m		Q903	0501-002183	TR-SMALL SIGNAL;KTC9014, NPN, 625mW, TO-92,	
DZ902	0403-000296	DIODE-ZENER;MTZ5.6B, 5.6V, 5.45-5.73V, 500m		QU01	0504-000123	TR-DIGITAL;KSR1010, NPN, 300mW, 10K, TO-92, T	
DZ903	0403-000295	DIODE-ZENER;MTZ5.1B, 5.1V, 4.94-5.20V, 500m		R101	2001-000290	R-CARBON;10Kohm, 5%, 1/8W, AA, TP, 1.8x3.2mm	
EL301-802	AA60-40011B	EYELET;ID2.2, OD3.2, -, BSP,-		R102	2004-001301	R-METAL;82Kohm, 5%, 1/8W, AA, TP, 1.8x3.2mm	
EY401-803	AA60-40011A	EYELET;ID2.0, OD2.8, -, BST,-		R104	2003-000578	R-METAL OXIDE(S);220ohm, 5%, 2W, AA, TP, 4x12	
F801	3601-001012	FUSE-FERRULE;250V, 4A, SLOW-BLOW, GLASS, 5, 2		R105	2003-000578	R-METAL OXIDE(S);220ohm, 5%, 2W, AA, TP, 4x12	
△ F801A	3602-000114	FUSE-HOLDER;-, .30mohm		R152	2001-000221	R-CARBON;1.2Kohm, 5%, 1/8W, AA, TP, 1.8x3.2m	
△ F801B	3602-000114	FUSE-HOLDER;-, .30mohm		R153	2001-000734	R-CARBON;4.7Kohm, 5%, 1/8W, AA, TP, 1.8x3.2m	
GT101-806	AA60-40014A	APIN-GT, ASSY;1P, -, AUTO		R154	2001-000780	R-CARBON;470ohm, 5%, 1/8W, AA, TP, 1.8x3.2mm	
GT101A	AA39-20010D	LEAD-CONNECTOR, ASSY;-, YFH800-01, S, 1P, 400		R155	2001-000281	R-CARBON;100ohm, 5%, 1/8W, AA, TP, 1.8x3.2mm	
IC201	1204-001296	IC-CHROMA;KA2163B, DIP, 56P, -, PLASTIC, 12V,		R156	2001-000793	R-CARBON;47ohm, 5%, 1/8W, AA, TP, 1.8x3.2mm	
IC301	1204-000475	IC-VIDEO SYSTEM;KA2131, SIP, 10P, -, PLASTIC		R157	2001-000568	R-CARBON;270HM, 5%, 1/8W, AA, TP, 1.8X3.2MM	
IC601	1201-001298	IC-POWER AMP;4425, SIP, 5P, 9.5MIL, MONO, 45d		R158	2001-000007	R-CARBON;3Kohm, 5%, 1/8W, AA, TP, 1.8x3.2mm	
IC602	1201-001298	IC-POWER AMP;4425, SIP, 5P, 9.5MIL, MONO, 45d		R159	2001-000007	R-CARBON;3Kohm, 5%, 1/8W, AA, TP, 1.8x3.2mm	
△ IC801	1203-001494	IC-PWM CONTROLLER;3S0680RF, TO3PF-5L, 5, 21		R201	2001-000429	R-CARBON;1Kohm, 5%, 1/8W, AA, TP, 1.8x3.2mm	

Electric Parts List

Loc. No.	Code No.	Description ; Specification	Remark	Loc. No.	Code No.	Description ; Specification	Remark
R202	2001-000734	R-CARBON:4.7Kohm,5%,1/8W,AA,TP,1.8x3.2mm		R503	2001-000007	R-CARBON:3Kohm,5%,1/8W,AA,TP,1.8x3.2mm	
R203	2001-000734	R-CARBON:4.7Kohm,5%,1/8W,AA,TP,1.8x3.2mm		R504	2003-000510	R-METAL OXIDE(S):15Kohm,5%,2W,AA,TP,4x12	
R204	2001-000995	R-CARBON:820 OHM,5%,1/8W,AA,T		R505	2003-000510	R-METAL OXIDE(S):15Kohm,5%,2W,AA,TP,4x12	
R205	2001-000995	R-CARBON:820 OHM,5%,1/8W,AA,T		R506	2003-000510	R-METAL OXIDE(S):15Kohm,5%,2W,AA,TP,4x12	
R206	2001-000995	R-CARBON :820 OHM,5%,1/8W,AA,T		R507	2001-000281	R-CARBON:100ohm,5%,1/8W,AA,TP,1.8x3.2mm	
R207	2001-001111	R-CARBON(S):240ohm,5%,1/2W,AA,TP,2.4x6.4		R508	2001-000281	R-CARBON:100ohm,5%,1/8W,AA,TP,1.8x3.2mm	
R208	2001-000515	R-CARBON:220ohm,5%,1/8W,AA,TP,1.8x3.2mm		R509	2001-000281	R-CARBON:100ohm,5%,1/8W,AA,TP,1.8x3.2mm	
R209	2001-000515	R-CARBON:220ohm,5%,1/8W,AA,TP,1.8x3.2mm		R510	2001-000628	R-CARBON:300OHM,5%,1/8W,AA,TP,1.8X3.2MM	
R210	2001-000515	R-CARBON:220ohm,5%,1/8W,AA,TP,1.8x3.2mm		R511	2001-000628	R-CARBON:300OHM,5%,1/8W,AA,TP,1.8X3.2MM	
R211	2001-000281	R-CARBON:100ohm,5%,1/8W,AA,TP,1.8x3.2mm		R512	2001-000628	R-CARBON:300OHM,5%,1/8W,AA,TP,1.8X3.2MM	
R212	2001-000281	R-CARBON:100ohm,5%,1/8W,AA,TP,1.8x3.2mm		R513	2001-000666	R-CARBON:33ohm,5%,1/8W,AA,TP,1.8x3.2mm	
R213	2001-000837	R-CARBON:51Kohm,5%,1/8W,AA,TP,1.8x3.2mm		R514	2001-000666	R-CARBON:33ohm,5%,1/8W,AA,TP,1.8x3.2mm	
R214	2001-000290	R-CARBON:10Kohm,5%,1/8W,AA,TP,1.8x3.2mm		R515	2002-001006	R-COMPOSITION:4.7KOHM,10%,1/2W,AA,TP,3.7	
R215	2001-000331	R-CARBON:12Kohm,5%,1/8W,AA,TP,1.8x3.2mm		R517	2001-000666	R-CARBON:33ohm,5%,1/8W,AA,TP,1.8x3.2mm	
R218	2001-000591	R-CARBON:3.3Kohm,5%,1/8W,AA,TP,1.8x3.2m		△R518	2008-001015	R-FUSIBLE(S):1.5ohm,5%,2W,AF,TP,3.9x10mm	
R219	2001-000674	R-CARBON:360ohm,5%,1/8W,AA,TP,1.8x3.2mm		R599	2008-000226	R-FUSIBLE:22ohm,5%,1/2W,AA,TP,4.7x11mm	
R222	2001-000773	R-CARBON:470Kohm,5%,1/8W,AA,TP,1.8x3.2m		R602	2001-000786	R-CARBON:47Kohm,5%,1/8W,AA,TP,1.8x3.2mm	
R223	2001-000780	R-CARBON:470ohm,5%,1/8W,AA,TP,1.8x3.2mm		R603	2001-000786	R-CARBON:47Kohm,5%,1/8W,AA,TP,1.8x3.2mm	
R226	2001-000397	R-CARBON:180Kohm,5%,1/8W,AA,TP,1.8x3.2m		R604	2001-000591	R-CARBON:3.3Kohm,5%,1/8W,AA,TP,1.8x3.2m	
R227	2001-000508	R-CARBON:220Kohm,5%,1/8W,AA,TP,1.8x3.2m		R605	2001-000290	R-CARBON:10Kohm,5%,1/8W,AA,TP,1.8x3.2mm	
R228	2001-000258	R-CARBON:1.8Kohm,5%,1/8W,AA,TP,1.8x3.2m		R610	2001-000577	R-CARBON :2KOHM,5%,1/8W,AA,TP,	
R229	2001-000258	R-CARBON:1.8Kohm,5%,1/8W,AA,TP,1.8x3.2m		R611	2001-000429	R-CARBON:1Kohm,5%,1/8W,AA,TP,1.8x3.2mm	
R230	2001-000591	R-CARBON:3.3Kohm,5%,1/8W,AA,TP,1.8x3.2m		R614	2001-001152	R-CARBON(S):47Kohm,5%,1/2W,AA,TP,2.4x6.4	
R231	2001-000660	R-CARBON:33Kohm,5%,1/8W,AA,TP,1.8x3.2mm		R615	2001-001088	R-CARBON(S):1Kohm,5%,1/2W,AA,TP,2.4x6.4m	
R233	2004-001234	R-METAL:75Kohm,5%,1/8W,AA,TP,1.8x3.2mm		R701	2001-001187	R-CARBON(S):75ohm,5%,1/2W,AA,TP,2.4x6.4m	
R234	2001-000405	R-CARBON:180 OHM,5%,1/8W,AA,T		R702	2001-000085	R-CARBON(S):100kohm,5%,1/2W,AA,TP,2.4x6.	
R235	2001-000273	R-CARBON:100Kohm,5%,1/8W,AA,TP,1.8x3.2m		R703	2001-000734	R-CARBON:4.7Kohm,5%,1/8W,AA,TP,1.8x3.2m	
R236	2001-000548	R-CARBON:270Kohm,5%,1/8W,AA,TP,1.8x3.2m		R801	2001-001150	R-CARBON(S):470Kohm,5%,1/2W,AA,TP,2.4x6.	
R237	2001-000290	R-CARBON:10Kohm,5%,1/8W,AA,TP,1.8x3.2mm		R802	2003-000994	R-METAL OXIDE(S):33Kohm,5%,2W,AF,TP,3.9x	
R239	2001-000947	R-CARBON:7.5KOHM,5%,1/8W,AA,TP,1.8X3.2M		R803	2003-000994	R-METAL OXIDE(S):33Kohm,5%,2W,AF,TP,3.9x	
R240	2001-000577	R-CARBON:2KOHM,5%,1/8W,AA,TP,		R805	2002-001013	R-COMPOSITION:4.7Mohm,10%,1/2W,AA,TP,3.7	
R241	2001-000429	R-CARBON:1Kohm,5%,1/8W,AA,TP,1.8x3.2mm		R806	2001-001071	R-CARBON(S):12Kohm,5%,1/2W,AA,TP,2.4x6.4	
R242	2001-000221	R-CARBON:1.2Kohm,5%,1/8W,AA,TP,1.8x3.2m		R807	2001-001071	R-CARBON(S):12Kohm,5%,1/2W,AA,TP,2.4x6.4	
R251	2001-000591	R-CARBON:3.3Kohm,5%,1/8W,AA,TP,1.8x3.2m		R808	2001-001150	R-CARBON(S):470Kohm,5%,1/2W,AA,TP,2.4x6.	
R252	2001-000591	R-CARBON:3.3Kohm,5%,1/8W,AA,TP,1.8x3.2m		R809	2008-000205	R-FUSIBLE(S):10ohm,5%,1/2W,AF,TP,2.5x6.5	
R253	2001-000591	R-CARBON:3.3Kohm,5%,1/8W,AA,TP,1.8x3.2m		R811	2001-001170	R-CARBON(S):6.8OHM,5%,1/2W,AA,TP,2.4X6.4	
R257	2008-000266	R-FUSIBLE(S):1ohm,5%,2W,AF,TP,3.9x10mm		R812	2008-000252	R-FUSIBLE(S):0.47ohm,10%,1/2W,AF,TP,2.5x	
R301	2001-000429	R-CARBON:1Kohm,5%,1/8W,AA,TP,1.8x3.2mm		R817	2001-001111	R-CARBON(S):240ohm,5%,1/2W,AA,TP,2.4x6.4	
R302	2001-000003	R-CARBON:330ohm,5%,1/8W,AA,TP,1.8x3.2mm		R818	2001-001111	R-CARBON(S):240ohm,5%,1/2W,AA,TP,2.4x6.4	
R303	2001-000864	R-CARBON:56Kohm,5%,1/8W,AA,TP,1.8x3.2mm		R819	2008-001011	R-FUSIBLE(S):0.18ohm,10%,2W,AF,TP,3.9x	
R304	2003-001036	R-METAL OXIDE(S):3.3ohm,5%,2W,AF,TP,3.9x		R821	2004-004089	R-METAL:123Kohm,1%,1/2W,AA,TP,2.5x6.5m	
R305	2001-000660	R-CARBON:33Kohm,5%,1/8W,AA,TP,1.8x3.2mm		R822	2001-000022	R-CARBON(S):33ohm,5%,1/2W,AA,TP,2.4x6.4m	
R306	2004-001301	R-METAL:82Kohm,5%,1/8W,AA,TP,1.8x3.2mm		R823	2001-001178	R-CARBON(S):680ohm,5%,1/2W,AA,TP,2.4x6.4	
R307	2001-000679	R-CARBON:36KOHM,5%,1/8W,AA,TP,1.8X3.2MM		R824	2001-001125	R-CARBON(S):300kohm,5%,1/2W,AA,TP,2.4x6.	
R308	2001-000633	R-CARBON:30Kohm,5%,1/8W,AA,TP,1.8x3.2mm		R852	2001-001088	R-CARBON(S):1Kohm,5%,1/2W,AA,TP,2.4x6.4m	
R309	2003-000649	R-METAL OXIDE(S):330ohm,5%,1W,AF,TP,3.3x		R853	2001-001054	R-CARBON(S):1.6kohm,5%,1/2W,AA,TP,2.4x6.	
R401	2001-000780	R-CARBON:470ohm,5%,1/8W,AA,TP,1.8x3.2mm		R854	2004-001983	R-METAL:2.49Kohm,1%,1/2W,AA,TP,2.4x6.4	
R402	2001-000515	R-CARBON:220ohm,5%,1/8W,AA,TP,1.8x3.2mm		R901	2001-000793	R-CARBON:47ohm,5%,1/8W,AA,TP,1.8x3.2mm	
R403	2001-001114	R-CARBON(S) :270ohm,5%,1/2W,AA,TP,2.4x		R902	2001-000429	R-CARBON:1Kohm,5%,1/8W,AA,TP,1.8x3.2mm	
R404	2001-000020	R-CARBON(S):22ohm,5%,1/2W,AA,TP,2.4x6.4m		R903	2001-000281	R-CARBON:100ohm,5%,1/8W,AA,TP,1.8x3.2mm	
R405	2003-000540	R-METAL OXIDE(S):1Kohm,5%,2W,AF,TP,4x12		R904	2001-000281	R-CARBON:100ohm,5%,1/8W,AA,TP,1.8x3.2mm	
R406	2008-001069	R-FUSIBLE(S):300ohm,5%,2W,AA,TP,3.9x10mm		R905	2001-000429	R-CARBON:1Kohm,5%,1/8W,AA,TP,1.8x3.2mm	
R407	2003-000994	R-METAL OXIDE(S):33Kohm,5%,2W,AF,TP,3.9x		R906	2001-000472	R-CARBON:2.7Kohm,5%,1/8W,AA,TP,1.8x3.2m	
R408	2004-001390	R-METAL(S):1Kohm,2%,1/2W,AA,TP,2.4x6.4mm		R907	2001-000995	R-CARBON :820 OHM,5%,1/8W,AA,T	
R409	2008-000253	R-FUSIBLE(S):0.47ohm,5%,1W,AF,TP,3.9x10m		R908	2001-000232	R-CARBON:1.3Kohm,5%,1/8W,AA,TP,1.8x3.2m	
R410	2008-000206	R-FUSIBLE(S):1ohm,5%,1/2W,AF,TP,2.5x6.5m		R910	2001-000995	R-CARBON :820 OHM,5%,1/8W,AA,T	
R411	2004-001377	R-METAL(S):120Kohm,1%,1/2W,AA,TP,2.4x6.4		R911	2001-000290	R-CARBON:10Kohm,5%,1/8W,AA,TP,1.8x3.2mm	
R412	2004-001377	R-METAL(S):120Kohm,1%,1/2W,AA,TP,2.4x6.4		R914	2001-000577	R-CARBON :2KOHM,5%,1/8W,AA,TP,	
R413	2001-001037	R-CARBON(S):0.39ohm,5%,1/2W,AA,TP,2.4x6.		R915	2001-000734	R-CARBON:4.7Kohm,5%,1/8W,AA,TP,1.8x3.2m	
R415	2003-000784	R-METAL OXIDE(S):7.5Kohm,5%,2W,AF,TP,4x1		R916	2001-000947	R-CARBON:7.5KOHM,5%,1/8W,AA,TP,1.8X3.2M	
R416	2001-000022	R-CARBON(S):33ohm,5%,1/2W,AA,TP,2.4x6.4m		R917	2001-000947	R-CARBON:7.5KOHM,5%,1/8W,AA,TP,1.8X3.2M	
R417	2001-001410	R-CARBON(S):43ohm,5%,1/2W,AA,TP,2.4x6.4m		R918	2001-000947	R-CARBON:7.5KOHM,5%,1/8W,AA,TP,1.8X3.2M	
R444	2001-001099	R-CARBON(S):2.7Kohm,5%,1/2W,AA,TP,2.4x6.		R919	2001-000977	R-CARBON:8.2Kohm,5%,1/8W,AA,TP,1.8x3.2m	
R501	2001-000007	R-CARBON:3Kohm,5%,1/8W,AA,TP,1.8x3.2mm		R920	2001-000522	R-CARBON:22Kohm,5%,1/8W,AA,TP,1.8x3.2mm	
R502	2001-000007	R-CARBON:3Kohm,5%,1/8W,AA,TP,1.8x3.2mm		R921	2001-000290	R-CARBON:10Kohm,5%,1/8W,AA,TP,1.8x3.2mm	



## 7-15 CT5038ZX/GSU (CT3338ZX/XAP AND CT5038ZX/GSU Dissimilar Parts)

Loc. No.	Code No.	Description ; Specification	Remark	Loc. No.	Code No.	Description ; Specification	Remark
<b>ASSY-PCB,MAIN</b>				<b>ASSY-CABINET</b>			
*	AA94-10140D	ASSY-PCB,MAIN(OPT);CT5038ZX/GSU,K15A,BOLIVIA,-		*	AA90-70012P	ASSY-CABINET;5038,CT5038ZX/GSU	
C301	2301-000223	C-FILM,PEF;22nF,5%,100V,TP,7.2x4.5x9.0mm,			AA64-30375B	CABINET-BACK;-;5073,38,-;HIPS,HB,BLK,-;-	
C302	2201-000556	C-CERAMIC,DISC;470pF,10%,500V,Y5P,TP,7x4,5			AA65-30107A	CLAMP-D,COIL;NYLON 66,V2,NTR,-;20-22 INCH,-	
C305	2305-000149	C-FILM,MPEF;100nF,5%,100V,TP,12x12.5x6.5,5		CRT+CF	AA60-10050R	SCREW-ASSY;WC,HH,+;M5,L31.5,SWRCH18A,ZPC(	
C402	2306-000355	C-FILM,MPPF;7.4nF,5%,1.6KV,TP,28.5x18.5x12		<b>ASSY-CABINET,FRONT</b>			
△ C403	2201-000406	C-CERAMIC,DISC;270pF,10%,2KV,Y5P,TP,8x6,7.5		*	AA91-10382B	ASSY-CABINET,FRONT;-;CT5038Z,PA100 HITRON EG,HB,B	
C404	2306-000193	C-FILM,MPPF;360nF,5%,200V,TP,21x18.5x13,7.			AA61-40007A	STOPPER-PCB;5038.5368,ABS HB,NTR,-;-	
CN501	AA39-20109A	LEAD-CONNECTOR,ASSY;-;YBNH025-08,S,8P,400,1007#26			AA63-50056A	GRILLE-WOOFER;-;5038,PA110,SECC,T0.5,-;-	
△ CN802	AA27-20003X	COIL-DEGAUSSING;-;20,14.4ohm,48TL,2170,E			AA64-10050A	KNOB-CONTROL;-;5038,-;ABS,HB,BLK	
R204	2001-000221	R-CARBON:1.2Kohm,5%,1/8W,AA,TP,1.8x3.2mm			AA64-10187B	KNOB-POWER,T;-;5038,SILK,ABS,HB,BLK	
R205	2001-000221	R-CARBON:1.2Kohm,5%,1/8W,AA,TP,1.8x3.2mm			AA64-31263B	CABINET-FRONT;-;CT5038Z,PA100 HITRON,HIPS,HB	
R206	2001-000221	R-CARBON:1.2Kohm,5%,1/8W,AA,TP,1.8x3.2mm			AA64-40085A	WINDOW-REMOCON;-;5038,-;PC,V0,VIOLET,-	
R214	2001-000331	R-CARBON:12Kohm,5%,1/8W,AA,TP,1.8x3.2mm			AA64-40188A	INDICATOR-LED;-;5038,-;ACRYL,-;-	
R226	2001-000508	R-CARBON:220Kohm,5%,1/8W,AA,TP,1.8x3.2mm		SPK+CF	AA64-70015B	BADGE-BRAND;AL,SS R2000 22,GOLD,L45,-;-	
R303	2004-001990	R-METAL;62Kohm,5%,1/8W,AA,TP,1.8x3.2mm			6002-000514	SCREW-TAPPING;RH,+2,M4,L15,ZPC(BLK),SWRCH18	
R304	2003-000436	R-METAL OXIDE(S);1.5ohm,5%,1W,AF,TP,3.3x9mm		<b>ASSY-SPEAKER</b>			
R305	2001-000947	R-CARBON:7.5Kohm,5%,1/8W,AA,TP,1.8x3.2mm		*	AA96-10141A	ASSY-SPEAKER;-;8ohm3W,001020,A3920501C,700m	
R306	2001-000766	R-CARBON:43Kohm,5%,1/8W,AA,TP,1.8x3.2mm			3001-000191	SPEAKER;3W,8ohm,90dB,180Hz	
R307	2001-000864	R-CARBON:56Kohm,5%,1/8W,AA,TP,1.8x3.2mm			AA39-20501C	LEAD CONNECTOR-ASSY;-;67096-003,REC,3(2)P,700mm,10	
R308	2004-001990	R-METAL;62Kohm,5%,1/8W,AA,TP,1.8x3.2mm		<b>ASSY-CRT</b>			
R309	2003-001043	R-METAL OXIDE(S);510ohm,5%,1W,AF,TP,2.5x6.5mm		*	AA94-50020L	ASSY-CRT;A48KRD82X(H)-;300MG,20,BARE,C	
R404	2001-001136	R-CARBON(S);36ohm,5%,1/2W,AA,TP,2.4x6.4mm			AA03-10029Y	CRT-COLOR;-;A48KRD82X(H)-;380mG,20,90de	
R411	2004-001373	R-METAL(S);100Kohm,1%,1/2W,AA,TP,2.4x6.4mm			AA27-50004W	DEFLECTION-YOKE;-;DSE-1992LL(1H),20/A48KRD82X	
R412	2004-001373	R-METAL(S);100Kohm,1%,1/2W,AA,TP,2.4x6.4mm			AA27-60001D	MAGNET-CONVERGENCE;-;JH-291-(JH-8210),29.1mm	
R413	3812-000219	WIRE-NO SHEATH CU;TCWA,300V,52mm(TAPING),1/0.6mm					
R518	2008-000266	R-FUSIBLE(S);1ohm,5%,2W,AF,TP,3.9x10mm					
RH01	2002-001006	R-COMPOSITION;4.7Kohm,10%,1/2W,AA,TP,3.7x9mm					
RH02	2002-001006	R-COMPOSITION;4.7Kohm,10%,1/2W,AA,TP,3.7x9mm					
RU10	2004-001193	R-METAL;680ohm,5%,1/8W,AA,TP,1.8x3.2mm					
△ T444	AA26-30001Y	TRANS-FLYBACK;-;FSV-20A001,20,125V		△			
△ V999	3704-001090	SOCKET-CRT;9P,15.24PI,26.5PI,SN,-		△			

## 7-16 CT5038ZX/XAP (CT3338ZX/XAP AND CT5038ZX/XAP Dissimilar Parts)

Loc. No.	Code No.	Description ; Specification	Remark	Loc. No.	Code No.	Description ; Specification	Remark
<b>ASSY-PCB,MAIN</b>				<b>ASSY-CRT</b>			
*	AA94-10140E	ASSY-PCB,MAIN(OPT):CT5038ZX/XAP,K15A,PANAMA,-		*	AA94-50019X	ASSY-CRT:A48KRD82X(H),+380MG,20,BARE,-	
C301	2301-000223	C-FILM,PEF:22nF,5%,100V,TP,7.2x4.5x9.0mm,		△	AA03-10029WCRT-COLOR:-,A48KRD82X(H),+380mG,20,90de		
C302	2201-000556	C-CERAMIC,DISC:470pF,10%,500V,Y5P,TP,7x4.5		△	AA27-50004WDEFLECTION-YOKE:-,DSE- 1992LL(1H),20/A48KRD82X		
C305	2305-000149	C-FILM,MPEF:100nF,5%,100V,TP,12x12.5x6.5,5			AA27-60001DMAGNET-CONVERGENCE:-,JH-291-(JH-8210),29.1mm		
C402	2306-000355	C-FILM,MPPF:7.4nF,5%,1.6KV,TP,28.5x18.5x12		<b>ASSY-CABINET</b>			
△ C403	2201-000406	C-CERAMIC,DISC:270pF,10%,2KV,Y5P,TP,8x6.7,5		*	AA90-70012QASSY-CABINET:5038,CT5038ZX/XAP		
C404	2306-000193	C-FILM,MPPF:360nF,5%,200V,TP,21x18.5x13.7.					
CN501	AA39-20109ALEAD-CONNECTOR,ASSY:-,YBNH025-08,S,8P,400,1007#26			CRT+CF	AA60-10050R SCREW-ASSY:WC,HH,+ ,M5,L31.5,SWRCH18A,ZPC(		
△ CN802	AA27-20003X COIL-DEGAUSSING:-,20,14.4ohm,48TL,2170,E				AA64-30375B CABINET-BACK:-,5073,38,-,HIPS,HB,BLK,-,-		
NT0565	AA68-50067ALABEL-RATING:T/P 90(G),T0.2,-,-,-,-,ALL				AA65-30107ACLAMP-D,COIL:NYLON 66,V2,NTR,-,-,20-22 INCH,-		
R204	2001-000221	R-CARBON:1.2Kohm,5%,1/8W,AA,TP,1.8x3.2mm		<b>ASSY-CABINET,FRONT</b>			
R205	2001-000221	R-CARBON:1.2Kohm,5%,1/8W,AA,TP,1.8x3.2mm		*	AA91-10382B ASSY-CABINET,FRONT:-,CT5038Z,PA100 HITRON EG,HB,B		
R206	2001-000221	R-CARBON:1.2Kohm,5%,1/8W,AA,TP,1.8x3.2mm					
R214	2001-000331	R-CARBON:12Kohm,5%,1/8W,AA,TP,1.8x3.2mm		SPK+CF	6002-000514 SCREW-TAPPING:RH,+2,M4,L15,ZPC(BLK),SWRCH18		
R226	2001-000508	R-CARBON:220Kohm,5%,1/8W,AA,TP,1.8x3.2mm			AA61-40007A STOPPER-PCB:5038.5368,ABS HB,NTR,-,-,-		
R303	2004-001990	R-METAL:62Kohm,5%,1/8W,AA,TP,1.8x3.2mm			AA63-50056A GRILLE-WOOFER:-,5038,PA110,SECC,T0.5,-,-		
R304	2003-000436	R-METAL OXIDE(S):1.5ohm,5%,1W,AF,TP,3.3x9mm			AA64-10050A KNOB-CONTROL:-,5038,-,ABS,HB,BLK		
R305	2001-000947	R-CARBON:7.5Kohm,5%,1/8W,AA,TP,1.8x3.2mm			AA64-10187B KNOB-POWER,T:-,5038,SILK,ABS,HB,BLK		
R306	2001-000766	R-CARBON:43Kohm,5%,1/8W,AA,TP,1.8x3.2mm			AA64-31263B CABINET-FRONT:-,CT5038Z,PA100 HITRON,HIPS,HB		
R307	2001-000864	R-CARBON:56Kohm,5%,1/8W,AA,TP,1.8x3.2mm			AA64-40085A WINDOW-REMOCON:-,5038,-,PC,V0,VIOLET,-		
R308	2004-001990	R-METAL:62Kohm,5%,1/8W,AA,TP,1.8x3.2mm			AA64-40188A INDICATOR-LED:-,5038,-,ACRYL,-,-,-		
R309	2003-001043	R-METAL OXIDE(S):510ohm,5%,1W,AF,TP,2.5x6.5mm			AA64-70015B BADGE-BRAND:AL,SS R2000 22.GOLD,L45,-,-,-		
R404	2001-001136	R-CARBON(S):36ohm,5%,1/2W,AA,TP,2.4x6.4mm		<b>ASSY-SPEAKER</b>			
R411	2004-001373	R-METAL(S):100Kohm,1%,1/2W,AA,TP,2.4x6.4mm		*	AA96-10141A ASSY-SPEAKER:-,8ohm3W,001020,A3920501C,700m		
R412	2004-001373	R-METAL(S):100Kohm,1%,1/2W,AA,TP,2.4x6.4mm					
R413	3812-000219	WIRE-NO SHEATH CU:TCWA,300V,52mm(TAPING),1/0.6mm					
R518	2008-000266	R-FUSIBLE(S):1ohm,5%,2W,AF,TP,3.9x10mm					
RH01	2002-001006	R-COMPOSITION:4.7Kohm,10%,1/2W,AA,TP,3.7x9mm					
RH02	2002-001006	R-COMPOSITION:4.7Kohm,10%,1/2W,AA,TP,3.7x9mm					
RU10	2004-001193	R-METAL:680ohm,5%,1/8W,AA,TP,1.8x3.2mm					
△ T444	AA26-30001Y TRANS-FLYBACK:-,FSV-20A001,20,125V						
△ V999	3704-001090	SOCKET-CRT:9P,15.24PI,26.5PI,SN,-					

## 7-17 CT3338ZX/XAP

Loc. No.	Code No.	Description ; Specification	Remark	Loc. No.	Code No.	Description ; Specification	Remark
<b>ASSY-PCB,MAIN</b>				C407	2401-001429	C-AL:470uF,20%,50V,GP,TP,13x20.5	
				C408	2201-000556	C-CERAMIC,DISC:470pF,10%,500V,Y5P,TP,7x4	
				C409	2401-001998	C-AL:1000uF,20%,25V,GP,TP,10x20,5mm	
				C410	2301-000224	C-FILM,PEF:22nF,5%,50V,TP,7.4x3.9x13mm	
				C411	2201-000556	C-CERAMIC,DISC:470pF,10%,500V,Y5P,TP,7x4	
				C412	2401-000927	C-AL:22UF,20%,250V,GP,TP,13X20MM,5M	
				C413	2401-000560	C-AL:1uF,20%,160V,GP,TP,6.3*11,5mm	
				C444	2201-000441	C-CERAMIC,DISC:3.3nF,10%,500V,Y5P,TP,10x	
				C445	2201-000441	C-CERAMIC,DISC:3.3nF,10%,500V,Y5P,TP,10x	
				C501	2202-000821	C-CERAMIC,MLC-AXIAL:560pF,10%,50V,Y5P,TP	
				C502	2202-000862	C-CERAMIC,MLC-AXIAL:390pF,10%,50V,Y5P,TP	
				C503	2202-000825	C-CERAMIC,MLC-AXIAL:680pF,10%,50V,Y5P,TP	
				C505	2201-002063	C-CERAMIC,DISC:10nF,+80-20%,3KV,Y5V,TP,1	
				C601	2401-000962	C-AL:22uF,20%,50V,GP,TP,5x11,5	
				C603	2301-000289	C-FILM,PEF:5.6nF,5%,50V,TP,7x6x3,5	
				C604	2401-000660	C-AL:2.2uF,20%,50V,GP,TP,5x11mm,5mm	
				C605	2305-000665	C-FILM,MPEF:100nF,5%,63V,TP,7.5x4.0x5.0m	
				C609	2401-000133	C-AL:1000uF,20%,16V,GP,TP,10x20mm,5	
				C611	2202-000279	C-CERAMIC,MLC-AXIAL:47PF,5%,50V,SL,3.5X1	
				C612	2202-000279	C-CERAMIC,MLC-AXIAL:47PF,5%,50V,SL,3.5X1	
				C651	2401-000660	C-AL:2.2uF,20%,50V,GP,TP,5x11mm,5mm	
				C654	2401-001363	C-AL:470uF,20%,16V,GP,TP,10x12.5mm,	
				C701	2305-000665	C-FILM,MPEF:100nF,5%,63V,TP,7.5x4.0x5.0m	
				C702	2401-000471	C-AL:10uF,20%,50V,BP,TP,5x11,5mm	
				C703	2202-000183	C-CERAMIC,MLC-AXIAL:2.2nF,20%,16V,Y5R,TP	
				C705	2202-000183	C-CERAMIC,MLC-AXIAL:2.2nF,20%,16V,Y5R,TP	
				C801	2401-002219	C-AL:220uF,20%,400V,GP,ST,25x40,10	
				C802	2201-000119	C-CERAMIC,DISC:100nF,+80-20%,50V,Y5V,TP,	
				C803	2303-000163	C-FILM,PPF:2.2nF,5%,800V,TP,15x13x8.5,7.	
				C804	2201-000446	C-CERAMIC,DISC:3.3nF,20%,400V,Y5U,TP,18x	
				C805	2201-000991	C-CERAMIC,DISC:560pF,10%,2KV,Y5P,TP,13x7	
				C806	2401-000262	C-AL:100uF,20%,160V,HR,TP,16x25,7.5	
				C807	2201-000599	C-CERAMIC,DISC:560pF,10%,500V,Y5P,TP,7x4	
				C808	2301-000016	C-FILM,PEF:22nF,5%,100V,TP,7.2x4.5x9.0mm	
				C809	2401-001998	C-AL:1000uF,20%,25V,GP,TP,10x20,5mm	
				C810	2305-000412	C-FILM,MPEF:470nF,5%,63V,TP,-,5mm	
				C812	2401-001840	C-AL:100uF,20%,16V,GP,TP,6.3x11,5mm	
				C813	2401-001495	C-AL:47uF,20%,16V,GP,5x11mm,5mm,TP	
				C814	2306-000318	C-FILM,MPPF:220NF,20%,250V,TP,-,22.5MM	
				C816	2401-000480	C-AL:10uF,20%,50V,GP,TP,5x11,5	
				C817	2401-001840	C-AL:100uF,20%,16V,GP,TP,6.3x11,5mm	
				C820	2401-001998	C-AL:1000uF,20%,25V,GP,TP,10x20,5mm	
				C821	2401-001486	C-AL:47uF,20%,160V,HR,TP,13x20mm,5m	
				C822	2301-000192	C-FILM,PEF:1nF,5%,50V,TP,5.3x10mm,5mm	
				C823	2201-000370	C-CERAMIC,DISC:220pF,10%,50V,Y5P,TP,4.0X	
				C851	2401-001571	C-AL:47uF,+20%-0%,50V,GP,TP,8x12,5	
				C852	2301-000310	C-FILM,PEF:68nF,5%,50V,TP,8.0X8.5X4.0X	
				C901	2401-001495	C-AL:47uF,20%,16V,GP,5x11mm,5mm,TP	
				C902	2202-000796	C-CERAMIC,MLC-AXIAL:UP050 B102KB INF,10%	
				C903	2401-000480	C-AL:10uF,20%,50V,GP,TP,5x11,5	
				C904	2202-000796	C-CERAMIC,MLC-AXIAL:UP050 B102KB INF,10%	
				C905	2401-001333	C-AL:470nF,20%,50V,GP,TP,5x11,5	
				C907	2401-001271	C-AL:4.7uF,20%,50V,GP,TP,4x7mm,5mm	
				C908	2201-000193	C-CERAMIC,DISC:10pF,0.3pF,50V,CH,TP,5x3,	
				C909	2201-000573	C-CERAMIC,DISC:47pF,5%,50V,CH,TP,6.5x3.0	
				C911	2401-000480	C-AL:10uF,20%,50V,GP,TP,5x11,5	
				C912	2301-000310	C-FILM,PEF:68nF,5%,50V,TP,8.0X8.5X4.0X	
				C914A	2401-000947	C-AL:22uF,20%,35V,GP,TP,5x11mm,-	
				C915	2202-000127	C-CERAMIC,MLC-AXIAL:10nF,+80-20%,25V,Y5V	
				CN501	AA39-20109D	LEAD-CONNECTOR,ASSY;- ,YBNH025-08,S,8P,30	
				CN603	3711-002642	CONNECTOR-HEADER:BOX,3P,1R,2.5MM,STRAIGH	
* AA94-10138C	ASSY-PCB,MAIN(OPT);CT3338ZX/XAP,K15A,PAN						
C101	2202-000127	C-CERAMIC,MLC-AXIAL:10nF,+80-20%,25V,Y5V					
C102	2401-000660	C-AL:2.2uF,20%,50V,GP,TP,5x11mm,5mm					
C104	2202-000127	C-CERAMIC,MLC-AXIAL:10nF,+80-20%,25V,Y5V					
C108	2401-000480	C-AL:10uF,20%,50V,GP,TP,5x11,5					
C110	2401-000808	C-AL:220uF,20%,16V,GP,8x11mm,5mm,TP					
C151	2202-000127	C-CERAMIC,MLC-AXIAL:10nF,+80-20%,25V,Y5V					
C153	2202-000127	C-CERAMIC,MLC-AXIAL:10nF,+80-20%,25V,Y5V					
C201	2201-000292	C-CERAMIC,DISC:1nF,10%,50V,Y5P,TP,5x4,5m					
C202	2401-001333	C-AL:470nF,20%,50V,GP,TP,5x11,5					
C203	2401-001495	C-AL:47uF,20%,16V,GP,5x11mm,5mm,TP					
C204	2301-000188	C-FILM,PEF:1nF,5%,100V,TP,10.5x12.5x6.5,					
C205	2401-001333	C-AL:470nF,20%,50V,GP,TP,5x11,5					
C206	2305-001011	C-FILM,MPEF:22nF,5%,100V,TP,3.5x12.5x7.5					
C207	2401-001333	C-AL:470nF,20%,50V,GP,TP,5x11,5					
C209	2305-000665	C-FILM,MPEF:100nF,5%,63V,TP,7.5x4.0x5.0m					
C210	2305-000665	C-FILM,MPEF:100nF,5%,63V,TP,7.5x4.0x5.0m					
C211	2305-000665	C-FILM,MPEF:100nF,5%,63V,TP,7.5x4.0x5.0m					
C212	2201-000982	C-CERAMIC,DISC:10nF,+80-20%,50V,Y5V,TP,6					
C213	2201-000193	C-CERAMIC,DISC:10pF,0.3pF,50V,CH,TP,5x3,					
C214	2401-000660	C-AL:2.2uF,20%,50V,GP,TP,5x11mm,5mm					
C215	2401-001840	C-AL:100uF,20%,16V,GP,TP,6.3x11,5mm					
C216	2201-000354	C-CERAMIC,DISC:20pF,5%,50V,NPO,TP,5.0x3.					
C218	2301-000181	C-FILM,PEF:18nF,5%,50V,TP,7.1x3.5x13mm,5					
C219	2401-000603	C-AL:1UF,20%,50V,GP,TP,5X11MM,5MM					
C220	2401-000480	C-AL:10uF,20%,50V,GP,TP,5x11,5					
C221	2401-002462	C-AL:33uF,20%,16V,GP,TP,5x11,5					
C222	2305-000665	C-FILM,MPEF:100nF,5%,63V,TP,7.5x4.0x5.0m					
C225	2401-000480	C-AL:10uF,20%,50V,GP,TP,5x11,5					
C226	2401-000603	C-AL:1UF,20%,50V,GP,TP,5X11MM,5MM					
C227	2305-000665	C-FILM,MPEF:100nF,5%,63V,TP,7.5x4.0x5.0m					
C229	2202-000127	C-CERAMIC,MLC-AXIAL:10nF,+80-20%,25V,Y5V					
C230	2305-000665	C-FILM,MPEF:100nF,5%,63V,TP,7.5x4.0x5.0m					
C231	2401-001495	C-AL:47uF,20%,16V,GP,5x11mm,5mm,TP					
C232	2401-001495	C-AL:47uF,20%,16V,GP,5x11mm,5mm,TP					
C233	2401-000480	C-AL:10uF,20%,50V,GP,TP,5x11,5					
C234	2301-000264	C-FILM,PEF:4.7nF,5%,50V,TP,6.5X5.5X3.0X5					
C235	2202-000279	C-CERAMIC,MLC-AXIAL:47PF,5%,50V,SL,3.5X1					
C236	2202-000127	C-CERAMIC,MLC-AXIAL:10nF,+80-20%,25V,Y5V					
C237	2202-000154	C-CERAMIC,MLC-AXIAL:150pF,10%,50V,Y5P,TP					
C301	2301-000226	C-FILM,PEF:27nF,5%,100V,TP,7.3x4x12.5mm,					
C302	2201-000599	C-CERAMIC,DISC:560pF,10%,500V,Y5P,TP,7x4					
C303	2202-000127	C-CERAMIC,MLC-AXIAL:10nF,+80-20%,25V,Y5V					
C304	2401-000553	C-AL:1uF,10%,50V,HR,TP,5x11mm,5mm					
C305	2305-000427	C-FILM,MPEF:47nF,5%,100V,TP,7.5x12.5x3.5					
C306	2401-002458	C-AL:1000UF,20%,35V,GP,TP,16X25MM,7					
C308	2301-000310	C-FILM,PEF:68nF,5%,50V,TP,8.0X8.5X4.0X					
C309	2401-000360	C-AL:100uF,20%,50V,GP,TP,8x11mm,5mm					
C310	2401-000480	C-AL:10uF,20%,50V,GP,TP,5x11,5					
C311	2401-001333	C-AL:470nF,20%,50V,GP,TP,5x11,5					
C312	2401-000553	C-AL:1uF,10%,50V,HR,TP,5x11mm,5mm					
C313	2305-000470	C-FILM,MPEF:68nF,5%,100V,TP,-,5mm					
C401	2301-000224	C-FILM,PEF:22nF,5%,50V,TP,7.4x3.9x13mm					
C402	2306-000253	C-FILM,MPPF:7.2nF,5%,1.6KV,TP,28.5x18.5x					
△ C403	2201-000467	C-CERAMIC,DISC:330pF,10%,2KV,Y5P,TP,8x6,					
C404	2306-000004	C-FILM,MPPF:330nF,5%,250V,TP,20x18.5x10.					
C405	2305-000704	C-FILM,MPEF:100nF,5%,250V,TP,16.5x10.3x5					
C406	2201-000556	C-CERAMIC,DISC:470pF,10%,500V,Y5P,TP,7x4					

Loc. No.	Code No.	Description ; Specification	Remark	Loc. No.	Code No.	Description ; Specification	Remark
CN701	3711-002646	CONNECTOR-HEADER;BOX,7P,1R,2.5mm,STRAIGH		JA701	3722-000162	JACK-PIN;2P,3.4MM,SN,BLACK,-	
△ CN802	AA27-20003U	COIL-DEGAUSSING;-;14,16.4ohm,75T,890mm,		JU13	2001-000429	R-CARBON:1Kohm,5%,1/8W,AA,TP,1.8x3.2mm	
CU02	2305-000665	C-FILM,MPEF;100nF,5%,63V,TP,7.5x4.0x5.0m		L102	2701-000207	INDUCTOR-AXIAL:56uH,5%,2.5x3.4mm	
D101	0403-000700	DIODE-ZENER:TZP33A,33V,31-35V,1W,DO-41,T		L152	2701-000326	INDUCTOR-AXIAL:560nH,10%,2.3x3.4mm	
D102	0403-000296	DIODE-ZENER:MTZ5.6B,5.6V,5.45-5.73V,500m		L201	AA26-10004K	TRANS-IF;-;7MG,SIF,11.5uH,7mm,100pF,4.8	
D103	0402-000132	DIODE-RECTIFIER;1N4004,400V,1A,DO-41,TP		L202	2701-000207	INDUCTOR-AXIAL:56uH,5%,2.5x3.4mm	
D201	0403-000663	DIODE-ZENER:MTZ3.3B,3.3V,3.32-3.53V,500m		L203	2701-000158	INDUCTOR-AXIAL:22uH,10%,2.5x3.4mm	
D202	0401-000005	DIODE-SWITCHING;1N4148,75V,300mA,DO-35,T		L204	2701-000207	INDUCTOR-AXIAL:56uH,5%,2.5x3.4mm	
D203	0401-000005	DIODE-SWITCHING;1N4148,75V,300mA,DO-35,T		L205	AA26-10004C	TRANS-IF;-;7MG,VIF,0.37uH,7mm,27pF,52.3	
D204	0401-000005	DIODE-SWITCHING;1N4148,75V,300mA,DO-35,T		L206	2701-000111	INDUCTOR-AXIAL:100uH,10%,2.5x3.4mm	
D205	0403-000295	DIODE-ZENER:MTZ5.1B,5.1V,4.94-5.20V,500m		L208	2701-000114	INDUCTOR-AXIAL:10uH,10%,2.5x3.4mm	
D206	0401-000005	DIODE-SWITCHING;1N4148,75V,300mA,DO-35,T		L301	2701-000116	INDUCTOR-AXIAL:10uH,10%,4.2x9.8mm	
D207	0401-000005	DIODE-SWITCHING;1N4148,75V,300mA,DO-35,T		△ L401	AA27-30001B	COIL-LINEARITY;-;195UH,QIC1010,PIO,4,4.5	
D208	0402-000132	DIODE-RECTIFIER;1N4004,400V,1A,DO-41,TP		△ L402	2701-001032	INDUCTOR-AXIAL:100uH,10%,5x14mm	
D210	0403-000563	DIODE-ZENER:MTZ9.1B,9.1V,8.57-9.01V,500m		L501	2701-000184	INDUCTOR-AXIAL:4.7uH,10%,2.5x3.4mm	
D299	0403-000654	DIODE-ZENER:MTZ12B,12V,11.44-12.03V,500m		L502	2701-000184	INDUCTOR-AXIAL:4.7uH,10%,2.5x3.4mm	
D301	0402-001105	DIODE-RECTIFIER;ERB43-04SV1,400V,1.0A,-;		L503	2701-000184	INDUCTOR-AXIAL:4.7uH,10%,2.5x3.4mm	
D302	0403-000654	DIODE-ZENER:MTZ12B,12V,11.44-12.03V,500m		L601	2901-000297	FILTER-EMI ON BOARD;-;3A,-;3.5x5,TP,-	
D401	0402-000132	DIODE-RECTIFIER;1N4004,400V,1A,DO-41,TP		L602	2701-000158	INDUCTOR-AXIAL:22uH,10%,2.5x3.4mm	
D402	0402-000132	DIODE-RECTIFIER;1N4004,400V,1A,DO-41,TP		L801	AA29-30001D	FILTER-LINE;-;6.0mH,2A,-;SQ1913	
D403	0402-001105	DIODE-RECTIFIER;ERB43-04SV1,400V,1.0A,-;		L802	3301-000287	CORE-FERRITE BEAD;AA,3.5x1x6mm,1500,2400	
D404	0402-001105	DIODE-RECTIFIER;ERB43-04SV1,400V,1.0A,-;		L803	2901-000297	FILTER-EMI ON BOARD;-;3A,-;3.5x5,TP,-	
D405	0402-001105	DIODE-RECTIFIER;ERB43-04SV1,400V,1.0A,-;		L804	3301-000287	CORE-FERRITE BEAD;AA,3.5x1x6mm,1500,2400	
D407	0402-001105	DIODE-RECTIFIER;ERB43-04SV1,400V,1.0A,-;		L805	2901-000299	FILTER-EMI ON BOARD;-;6A,UL/CSA,-;9x7.5,	
D601	0401-000005	DIODE-SWITCHING;1N4148,75V,300mA,DO-35,T		L809	2901-000299	FILTER-EMI ON BOARD;-;6A,UL/CSA,-;9x7.5,	
D701	0403-000563	DIODE-ZENER:MTZ9.1B,9.1V,8.57-9.01V,500m		L810	AA27-10002Y	COIL-CHOKE;-;100UH,K,10,700MA,T,100UH-K(	
D704	0403-000563	DIODE-ZENER:MTZ9.1B,9.1V,8.57-9.01V,500m		L811	2901-000299	FILTER-EMI ON BOARD;-;6A,UL/CSA,-;9x7.5,	
D802	0402-000540	DIODE-RECTIFIER;RU20A,600V,1.5A,-		L901	2701-000197	INDUCTOR-AXIAL:5.6uH,10%,2.5x3.4mm	
D803	0402-001105	DIODE-RECTIFIER;ERB43-04SV1,400V,1.0A,-;		L902	2701-000114	INDUCTOR-AXIAL:10uH,10%,2.5x3.4mm	
D805	0402-000213	DIODE-RECTIFIER;ERB12-06,600V,1.0A,DO-41		L999	2701-000115	INDUCTOR-AXIAL:10uH,10%,2.8x7mm	
D806	0401-000005	DIODE-SWITCHING;1N4148,75V,300mA,DO-35,T		LD901	AA96-30007A	AASSY-LED,GUIDE;-;AA61-50055A,DL-G7GA,GRE	
△ D807	0402-000213	DIODE-RECTIFIER;ERB12-06,600V,1.0A,DO-41		△ NT801	1404-000187	THERMISTOR-NTC:4.7ohm,15%,2800K,27.2mW/C	
△ D808	0402-000213	DIODE-RECTIFIER;ERB12-06,600V,1.0A,DO-41		△ P801	1404-001048	THERMISTOR-PTC:7ohm,30%,200/220V,270V,19	
△ D809	0402-000213	DIODE-RECTIFIER;ERB12-06,600V,1.0A,DO-41		△ PC802	0604-001038	PHOTO-COUPLER;TR,130-260%,200mW,DIP-4,ST	
△ D810	0402-000213	DIODE-RECTIFIER;ERB12-06,600V,1.0A,DO-41		Q151	0501-000436	TR-SMALL SIGNAL:KTC3197,NPN,625mW,TO-92,	
D814	0402-000534	DIODE-RECTIFIER;RG10V,400V,1.2A,DO-201,T		Q201	0501-002183	TR-SMALL SIGNAL:KTC9014,NPN,625mW,TO-92,	
D855	0403-000296	DIODE-ZENER:MTZ5.6B,5.6V,5.45-5.73V,500m		Q202	0501-002183	TR-SMALL SIGNAL:KTC9014,NPN,625mW,TO-92,	
D856	0403-000296	DIODE-ZENER:MTZ5.6B,5.6V,5.45-5.73V,500m		Q203	0501-002183	TR-SMALL SIGNAL:KTC9014,NPN,625mW,TO-92,	
D902	0403-000296	DIODE-ZENER:MTZ5.6B,5.6V,5.45-5.73V,500m		△ Q401	0502-001115	TR-POWER;KSC5386,NPN,50W,TO-3PF,ST,8-	
D903	0401-000005	DIODE-SWITCHING;1N4148,75V,300mA,DO-35,T		Q402	0501-000369	TR-SMALL SIGNAL:KSC2331-Y,NPN,1W,TO-92L,	
D904	0401-000005	DIODE-SWITCHING;1N4148,75V,300mA,DO-35,T		Q501	0501-002014	TR-SMALL SIGNAL:KSC2330-R,NPN,1W,TO-92L,	
D905	0403-000296	DIODE-ZENER:MTZ5.6B,5.6V,5.45-5.73V,500m		Q502	0501-002014	TR-SMALL SIGNAL:KSC2330-R,NPN,1W,TO-92L,	
D906	0403-000296	DIODE-ZENER:MTZ5.6B,5.6V,5.45-5.73V,500m		Q503	0501-002014	TR-SMALL SIGNAL:KSC2330-R,NPN,1W,TO-92L,	
DZ801	1405-000152	VARISTOR;560V,2500A,14x8.5mm,TP		Q601	0502-000242	TR-POWER;KSA614,PNP,25W,TO-220,TP,40-24	
DZ802	0403-000300	DIODE-ZENER:MTZ8.2B,7.78-8.19V,500mW,DO-		Q602	0501-002183	TR-SMALL SIGNAL:KTC9014,NPN,625mW,TO-92,	
DZ803	0403-000296	DIODE-ZENER:MTZ5.6B,5.6V,5.45-5.73V,500m		Q801	1203-001217	IC-POSIAJUST REG.;431,TO-92,3P,4.58MIL	
DZ806	0403-000294	DIODE-ZENER:MTZ4.7B,4.45-4.80V,500mW,DO-		Q902	0501-002183	TR-SMALL SIGNAL:KTC9014,NPN,625mW,TO-92,	
DZ807	0403-000297	DIODE-ZENER:MTZ6.2B,6.2V,5.96-6.27V,500m		Q903	0501-002183	TR-SMALL SIGNAL:KTC9014,NPN,625mW,TO-92,	
DZ901	0403-000296	DIODE-ZENER:MTZ5.6B,5.6V,5.45-5.73V,500m		QU01	0504-000123	TR-DIGITAL;KSR1010,NPN,300mW,10K,TO-92,T	
DZ902	0403-000296	DIODE-ZENER:MTZ5.6B,5.6V,5.45-5.73V,500m		R101	2001-000290	R-CARBON:10Kohm,5%,1/8W,AA,TP,1.8x3.2mm	
DZ903	0403-000295	DIODE-ZENER:MTZ5.1B,5.1V,4.94-5.20V,500m		R102	2004-001301	R-METAL:82Kohm,5%,1/8W,AA,TP,1.8x3.2mm	
EL301-802	AA60-40011B	EYELET;ID2.2,OD3.2,-;BSP,-		R104	2003-000578	R-METAL OXIDE(S);220ohm,5%,2W,AA,TP,4x12	
EY401-830	AA60-40011A	EYELET;ID2.0,OD2.8,-;BSP,-		R105	2003-000578	R-METAL OXIDE(S);220ohm,5%,2W,AA,TP,4x12	
F801	3601-001012	FUSE-FERRULE;250V,4A,SLOW-BLOW,GLASS,5.2		R152	2001-000221	R-CARBON:1.2Kohm,5%,1/8W,AA,TP,1.8x3.2m	
△ F801A	3602-000114	FUSE-HOLDER;-;30mohm		R153	2001-000734	R-CARBON:4.7Kohm,5%,1/8W,AA,TP,1.8x3.2m	
△ F801B	3602-000114	FUSE-HOLDER;-;30mohm		R154	2001-000780	R-CARBON:470ohm,5%,1/8W,AA,TP,1.8x3.2mm	
GT101-806	AA60-40014A	PIN-GT,ASSY;1P,-;AUTO		R155	2001-000281	R-CARBON:100ohm,5%,1/8W,AA,TP,1.8x3.2mm	
GT101A	AA39-20010D	LEAD-CONNECTOR,ASSY;-;YFH800-01,S,1P,400		R156	2001-000793	R-CARBON:47ohm,5%,1/8W,AA,TP,1.8x3.2mm	
IC201	1204-001296	IC-CHROMA;KA2163B,DIP,56P,-;PLASTIC,12V,		R157	2001-000568	R-CARBON:270HM,5%,1/8W,AA,TP,1.8x3.2MM	
IC301	1204-000475	IC-VIDEO SYSTEM;KA2131,SIP,10P,-;PLASTIC		R158	2001-000007	R-CARBON:3Kohm,5%,1/8W,AA,TP,1.8x3.2mm	
IC601	1201-001298	IC-POWER AMP;4425,SIP,5P,9.5MIL,MONO,45d		R159	2001-000007	R-CARBON:3Kohm,5%,1/8W,AA,TP,1.8x3.2mm	
△ IC801	1203-001494	IC-PWM CONTROLLER;3S0680RF,TO3PF-5L,5,21		R201	2001-000429	R-CARBON:1Kohm,5%,1/8W,AA,TP,1.8x3.2mm	
IC802	1203-001532	IC-POSIFIXED REG.;7631,SIP,10P,-;PLASTI		R202	2001-000734	R-CARBON:4.7Kohm,5%,1/8W,AA,TP,1.8x3.2m	
IC901	AA13-30020A	IC-MCU;-;Z8933412PSC-R3757,16BIT,SDIP		R203	2001-000734	R-CARBON:4.7Kohm,5%,1/8W,AA,TP,1.8x3.2m	
IC902	1103-001107	IC-EEPROM;24C020,256x8BIT,DIP,8P,300MIL,		R204	2001-000995	R-CARBON:820 OHM,5%,1/8W,AA,T	



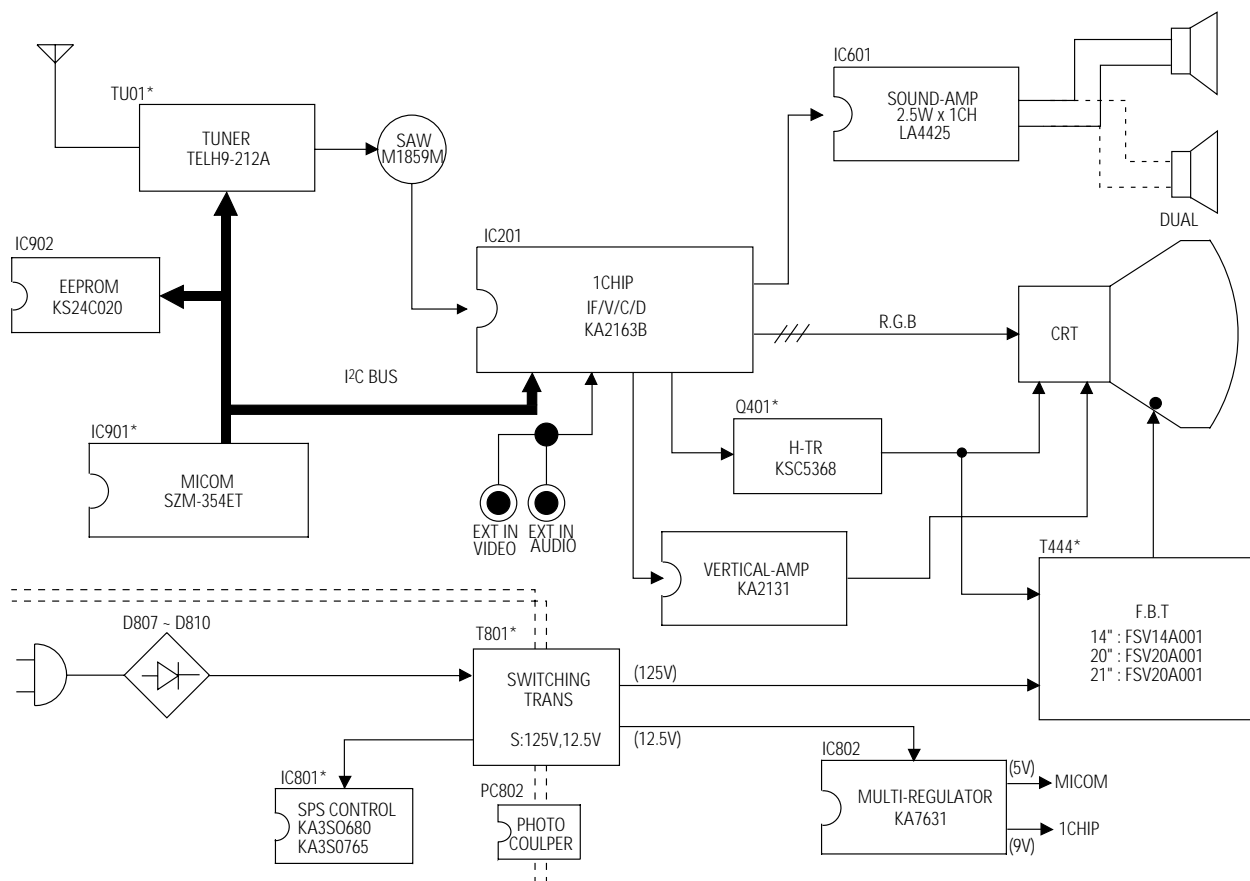
Electric Parts List

Loc. No.	Code No.	Description ; Specification	Remark	Loc. No.	Code No.	Description ; Specification	Remark
R205	2001-000995	R-CARBON:820 OHM,5%,1/8W,AA,T		R506	2003-000510	R-METAL OXIDE(S):15Kohm,5%,2W,AA,TP,4x12	
R206	2001-000995	R-CARBON:820 OHM,5%,1/8W,AA,T		R507	2001-000281	R-CARBON:100ohm,5%,1/8W,AA,TP,1.8x3.2mm	
R207	2001-001111	R-CARBON(S):240ohm,5%,1/2W,AA,TP,2.4x6.4		R508	2001-000281	R-CARBON:100ohm,5%,1/8W,AA,TP,1.8x3.2mm	
R208	2001-000515	R-CARBON:220ohm,5%,1/8W,AA,TP,1.8x3.2mm		R509	2001-000281	R-CARBON:100ohm,5%,1/8W,AA,TP,1.8x3.2mm	
R209	2001-000515	R-CARBON:220ohm,5%,1/8W,AA,TP,1.8x3.2mm		R510	2001-000628	R-CARBON:300OHM,5%,1/8W,AA,TP,1.8X3.2MM	
R210	2001-000515	R-CARBON:220ohm,5%,1/8W,AA,TP,1.8x3.2mm		R511	2001-000628	R-CARBON:300OHM,5%,1/8W,AA,TP,1.8X3.2MM	
R211	2001-000281	R-CARBON:100ohm,5%,1/8W,AA,TP,1.8x3.2mm		R512	2001-000628	R-CARBON:300OHM,5%,1/8W,AA,TP,1.8X3.2MM	
R212	2001-000281	R-CARBON:100ohm,5%,1/8W,AA,TP,1.8x3.2mm		R513	2001-000666	R-CARBON:33ohm,5%,1/8W,AA,TP,1.8x3.2mm	
R213	2001-000837	R-CARBON:51Kohm,5%,1/8W,AA,TP,1.8x3.2mm		R514	2001-000666	R-CARBON:33ohm,5%,1/8W,AA,TP,1.8x3.2mm	
R214	2001-000290	R-CARBON:10Kohm,5%,1/8W,AA,TP,1.8x3.2mm		R515	2002-001006	R-COMPOSITION:4.7KOHM,10%,1/2W,AA,TP,3.7	
R215	2001-000331	R-CARBON:12Kohm,5%,1/8W,AA,TP,1.8x3.2mm		R517	2001-000666	R-CARBON:10Kohm,5%,1/8W,AA,TP,1.8x3.2mm	
R218	2001-000591	R-CARBON:3.3Kohm,5%,1/8W,AA,TP,1.8x3.2m		R518	2008-001015	R-FUSIBLE(S):1.5ohm,5%,2W,AF,TP,3.9x10mm	
R219	2001-000674	R-CARBON:360ohm,5%,1/8W,AA,TP,1.8x3.2mm		R599	2008-000226	R-FUSIBLE:22ohm,5%,1/2W,AA,TP,4.7x11mm	
R222	2001-000773	R-CARBON:470Kohm,5%,1/8W,AA,TP,1.8x3.2m		R602	2001-000786	R-CARBON:47Kohm,5%,1/8W,AA,TP,1.8x3.2mm	
R223	2001-000780	R-CARBON:470ohm,5%,1/8W,AA,TP,1.8x3.2mm		R603	2001-000786	R-CARBON:47Kohm,5%,1/8W,AA,TP,1.8x3.2mm	
R226	2001-000397	R-CARBON:180Kohm,5%,1/8W,AA,TP,1.8x3.2m		R604	2001-000449	R-CARBON:2.2Kohm,5%,1/8W,AA,TP,1.8x3.2m	
R227	2001-000508	R-CARBON:220Kohm,5%,1/8W,AA,TP,1.8x3.2m		R605	2001-000290	R-CARBON:10Kohm,5%,1/8W,AA,TP,1.8x3.2mm	
R228	2001-000258	R-CARBON:1.8Kohm,5%,1/8W,AA,TP,1.8x3.2m		R610	2001-000577	R-CARBON:2KOHM,5%,1/8W,AA,TP,	
R229	2001-000258	R-CARBON:1.8Kohm,5%,1/8W,AA,TP,1.8x3.2m		R611	2001-000429	R-CARBON:1Kohm,5%,1/8W,AA,TP,1.8x3.2mm	
R230	2001-000591	R-CARBON:3.3Kohm,5%,1/8W,AA,TP,1.8x3.2m		R614	2001-001152	R-CARBON(S):47Kohm,5%,1/2W,AA,TP,2.4x6.4	
R231	2001-000660	R-CARBON:33Kohm,5%,1/8W,AA,TP,1.8x3.2mm		R615	2001-001088	R-CARBON(S):1Kohm,5%,1/2W,AA,TP,2.4x6.4m	
R233	2004-001234	R-METAL:75Kohm,5%,1/8W,AA,TP,1.8x3.2mm		R701	2001-001187	R-CARBON(S):75ohm,5%,1/2W,AA,TP,2.4x6.4m	
R234	2001-000405	R-CARBON :180 OHM,5%,1/8W,AA,T		R702	2001-000085	R-CARBON(S):100Kohm,5%,1/2W,AA,TP,2.4x6.4	
R235	2001-000273	R-CARBON:100Kohm,5%,1/8W,AA,TP,1.8x3.2m		R703	2001-000734	R-CARBON:4.7Kohm,5%,1/8W,AA,TP,1.8x3.2m	
R236	2001-000548	R-CARBON:270Kohm,5%,1/8W,AA,TP,1.8x3.2m		R801	2001-001150	R-CARBON(S):470Kohm,5%,1/2W,AA,TP,2.4x6.4	
R237	2001-000290	R-CARBON:10Kohm,5%,1/8W,AA,TP,1.8x3.2mm		R802	2003-000994	R-METAL OXIDE(S):33Kohm,5%,2W,AF,TP,3.9x	
R239	2001-000947	R-CARBON:7.5KOHM,5%,1/8W,AA,TP,1.8X3.2M		R803	2003-000994	R-METAL OXIDE(S):33Kohm,5%,2W,AF,TP,3.9x	
R240	2001-000577	R-CARBON:2KOHM,5%,1/8W,AA,TP,		R805	2002-001013	R-COMPOSITION:4.7Mohm,10%,1/2W,AA,TP,3.7	
R241	2001-000429	R-CARBON:1Kohm,5%,1/8W,AA,TP,1.8x3.2mm		R806	2001-001071	R-CARBON(S):12Kohm,5%,1/2W,AA,TP,2.4x6.4	
R242	2001-000221	R-CARBON:1.2Kohm,5%,1/8W,AA,TP,1.8x3.2m		R807	2001-001071	R-CARBON(S):12Kohm,5%,1/2W,AA,TP,2.4x6.4	
R251	2001-000591	R-CARBON:3.3Kohm,5%,1/8W,AA,TP,1.8x3.2m		R808	2001-001150	R-CARBON(S):470Kohm,5%,1/2W,AA,TP,2.4x6.4	
R252	2001-000591	R-CARBON:3.3Kohm,5%,1/8W,AA,TP,1.8x3.2m		R809	2008-000205	R-FUSIBLE(S):10ohm,5%,1/2W,AF,TP,2.5x6.5	
R253	2001-000591	R-CARBON:3.3Kohm,5%,1/8W,AA,TP,1.8x3.2m		R811	2001-001170	R-CARBON(S):6.8OHM,5%,1/2W,AA,TP,2.4X6.4	
R257	2008-000269	R-FUSIBLE(S):1ohm,5%,2W,AF,TP,3.9x10mm		R812	2008-000252	R-FUSIBLE(S):0.47ohm,10%,1/2W,AF,TP,2.5x	
R301	2001-000429	R-CARBON:1Kohm,5%,1/8W,AA,TP,1.8x3.2mm		R817	2001-001111	R-CARBON(S):240ohm,5%,1/2W,AA,TP,2.4x6.4	
R302	2001-000003	R-CARBON:330ohm,5%,1/8W,AA,TP,1.8x3.2mm		R818	2001-001111	R-CARBON(S):240ohm,5%,1/2W,AA,TP,2.4x6.4	
R303	2001-000864	R-CARBON:56Kohm,5%,1/8W,AA,TP,1.8x3.2mm		R819	2008-001011	R-FUSIBLE(S):0.18ohm,10%,2W,AF,TP,3.9x10	
R304	2003-001036	R-METAL OXIDE(S):3.3ohm,5%,2W,AF,TP,3.9x		R821	2004-004089	R-METAL:123Kohm,1%,1/2W,AA,TP,2.5x6.5m	
R305	2001-000660	R-CARBON:33Kohm,5%,1/8W,AA,TP,1.8x3.2mm		R822	2001-000022	R-CARBON(S):33ohm,5%,1/2W,AA,TP,2.4x6.4m	
R306	2004-001301	R-METAL:82Kohm,5%,1/8W,AA,TP,1.8x3.2mm		R823	2001-001178	R-CARBON(S):680ohm,5%,1/2W,AA,TP,2.4x6.4	
R307	2001-000679	R-CARBON:36KOHM,5%,1/8W,AA,TP,1.8X3.2MM		R824	2001-001125	R-CARBON(S):300Kohm,5%,1/2W,AA,TP,2.4x6.4	
R308	2001-000633	R-CARBON:30Kohm,5%,1/8W,AA,TP,1.8x3.2mm		R852	2001-001088	R-CARBON(S):1Kohm,5%,1/2W,AA,TP,2.4x6.4m	
R309	2003-000649	R-METAL OXIDE(S):330ohm,5%,1W,AF,TP,3.3x		R853	2001-001054	R-CARBON(S):1.6Kohm,5%,1/2W,AA,TP,2.4x6.4	
R401	2001-000780	R-CARBON:470ohm,5%,1/8W,AA,TP,1.8x3.2mm		R854	2004-001983	R-METAL:2.49Kohm,1%,1/2W,AA,TP,2.4x6.4	
R402	2001-000515	R-CARBON:220ohm,5%,1/8W,AA,TP,1.8x3.2mm		R901	2001-000793	R-CARBON:47ohm,5%,1/8W,AA,TP,1.8x3.2mm	
R403	2001-001114	R-CARBON(S) :270ohm,5%,1/2W,AA,TP,2.4x		R902	2001-000429	R-CARBON:1Kohm,5%,1/8W,AA,TP,1.8x3.2mm	
R404	2001-000020	R-CARBON(S):22ohm,5%,1/2W,AA,TP,2.4x6.4m		R903	2001-000281	R-CARBON:100ohm,5%,1/8W,AA,TP,1.8x3.2mm	
R405	2003-000540	R-METAL OXIDE(S):1Kohm,5%,2W,AF,TP,4x12m		R904	2001-000281	R-CARBON:100ohm,5%,1/8W,AA,TP,1.8x3.2mm	
R406	2008-001069	R-FUSIBLE(S):300ohm,5%,2W,AA,TP,3.9x10mm		R905	2001-000429	R-CARBON:1Kohm,5%,1/8W,AA,TP,1.8x3.2mm	
R407	2003-000994	R-METAL OXIDE(S):33Kohm,5%,2W,AF,TP,3.9x		R906	2001-000472	R-CARBON:2.7Kohm,5%,1/8W,AA,TP,1.8x3.2m	
R408	2004-001390	R-METAL(S):1Kohm,2%,1/2W,AA,TP,2.4x6.4mm		R907	2001-000995	R-CARBON:820 OHM,5%,1/8W,AA,T	
R409	2008-000253	R-FUSIBLE(S):0.47ohm,5%,1W,AF,TP,3.9x10m		R908	2001-000232	R-CARBON:1.3Kohm,5%,1/8W,AA,TP,1.8x3.2m	
R410	2008-000206	R-FUSIBLE(S):1ohm,5%,1/2W,AF,TP,2.5x6.5m		R910	2001-000995	R-CARBON:820 OHM,5%,1/8W,AA,T	
R411	2004-001377	R-METAL(S):120Kohm,1%,1/2W,AA,TP,2.4x6.4		R911	2001-000290	R-CARBON:10Kohm,5%,1/8W,AA,TP,1.8x3.2mm	
R412	2004-001377	R-METAL(S):120Kohm,1%,1/2W,AA,TP,2.4x6.4		R914	2001-000577	R-CARBON:2KOHM,5%,1/8W,AA,TP,	
R413	2001-001037	R-CARBON(S):0.39ohm,5%,1/2W,AA,TP,2.4x6.4		R915	2001-000734	R-CARBON:4.7Kohm,5%,1/8W,AA,TP,1.8x3.2m	
R415	2003-000784	R-METAL OXIDE(S):7.5Kohm,5%,2W,AF,TP,4x1		R916	2001-000947	R-CARBON:7.5KOHM,5%,1/8W,AA,TP,1.8X3.2M	
R416	2001-000022	R-CARBON(S):33ohm,5%,1/2W,AA,TP,2.4x6.4m		R917	2001-000947	R-CARBON:7.5KOHM,5%,1/8W,AA,TP,1.8X3.2M	
R417	2001-001410	R-CARBON(S):43ohm,5%,1/2W,AA,TP,2.4x6.4m		R918	2001-000947	R-CARBON:7.5KOHM,5%,1/8W,AA,TP,1.8X3.2M	
R444	2001-001099	R-CARBON(S):2.7Kohm,5%,1/2W,AA,TP,2.4x6.4		R919	2001-000977	R-CARBON:8.2Kohm,5%,1/8W,AA,TP,1.8x3.2m	
R501	2001-000007	R-CARBON:3Kohm,5%,1/8W,AA,TP,1.8x3.2mm		R920	2001-000522	R-CARBON:22Kohm,5%,1/8W,AA,TP,1.8x3.2mm	
R502	2001-000007	R-CARBON:3Kohm,5%,1/8W,AA,TP,1.8x3.2mm		R921	2001-000290	R-CARBON:10Kohm,5%,1/8W,AA,TP,1.8x3.2mm	
R503	2001-000007	R-CARBON:3Kohm,5%,1/8W,AA,TP,1.8x3.2mm		R922	2001-000281	R-CARBON:100ohm,5%,1/8W,AA,TP,1.8x3.2mm	
R504	2003-000510	R-METAL OXIDE(S):15Kohm,5%,2W,AA,TP,4x12		R923	2001-000281	R-CARBON:100ohm,5%,1/8W,AA,TP,1.8x3.2mm	
R505	2003-000510	R-METAL OXIDE(S):15Kohm,5%,2W,AA,TP,4x12		R924	2001-000449	R-CARBON:2.2Kohm,5%,1/8W,AA,TP,1.8x3.2m	

Loc. No.	Code No.	Description ; Specification	Remark	Loc. No.	Code No.	Description ; Specification	Remark
R925	2001-000449	R-CARBON:2.2Kohm,5%,1/8W,AA,TP,1.8x3.2mm					
R926	2001-000008	R-CARBON:15Kohm,5%,1/8W,AA,TP,1.8x3.2mm					
R927	2001-000290	R-CARBON:10Kohm,5%,1/8W,AA,TP,1.8x3.2mm					
R928	2001-000864	R-CARBON:56Kohm,5%,1/8W,AA,TP,1.8x3.2mm					
R929	2001-000232	R-CARBON:1.3Kohm,5%,1/8W,AA,TP,1.8x3.2mm					
R930	2001-000290	R-CARBON:10Kohm,5%,1/8W,AA,TP,1.8x3.2mm					
R931	2001-000429	R-CARBON:1Kohm,5%,1/8W,AA,TP,1.8x3.2mm					
R932	2001-000290	R-CARBON:10Kohm,5%,1/8W,AA,TP,1.8x3.2mm					
R933	2001-000290	R-CARBON:10Kohm,5%,1/8W,AA,TP,1.8x3.2mm					
R934	0401-000005	DIODE-SWITCHING:1N4148,75V,300mA,DO-35,T					
R936	0401-000005	DIODE-SWITCHING:1N4148,75V,300mA,DO-35,T					
R937	2001-000290	R-CARBON:10Kohm,5%,1/8W,AA,TP,1.8x3.2mm					
R940	2001-000708	R-CARBON:39ohm,5%,1/8W,AA,TP,1.8x3.2mm					
R951	2001-000734	R-CARBON:4.7Kohm,5%,1/8W,AA,TP,1.8x3.2mm					
R952	2001-000472	R-CARBON:2.7Kohm,5%,1/8W,AA,TP,1.8x3.2mm					
R988	2001-000508	R-CARBON:220Kohm,5%,1/8W,AA,TP,1.8x3.2mm					
RM01	2002-001006	R-COMPOSITION:4.7KOHM,10%,1/2W,AA,TP,3.7					
RM02	2002-001006	R-COMPOSITION:4.7KOHM,10%,1/2W,AA,TP,3.7					
RM901	AA59-60001U	MODULE-REMOCON:-,ORC-50VF/SR-12V,38KHZ,9					
RU02	2001-000780	R-CARBON:470ohm,5%,1/8W,AA,TP,1.8x3.2mm					
RU06	2001-000397	R-CARBON:180Kohm,5%,1/8W,AA,TP,1.8x3.2mm					
RU07	2001-001062	R-CARBON(S):10Mohm,5%,1/2W,AA,TP,2.4x6.4					
RU10	2001-000780	R-CARBON:470ohm,5%,1/8W,AA,TP,1.8x3.2mm					
SF101	2904-000304	FILTER-SAW AV:45.75MHz,-,ST,13.2dB,NTSC-					
SW901	3404-000244	SWITCH-TACT:15V,20mA,90-170gf,7.5x7mm,SP					
SW902	3404-000244	SWITCH-TACT:15V,20mA,90-170gf,7.5x7mm,SP					
SW903	3404-000244	SWITCH-TACT:15V,20mA,90-170gf,7.5x7mm,SP					
SW904	3404-000244	SWITCH-TACT:15V,20mA,90-170gf,7.5x7mm,SP					
SW905	3404-000244	SWITCH-TACT:15V,20mA,90-170gf,7.5x7mm,SP					
SW906	3404-000295	SWITCH-TACT:12VDC,50mA,160gf,8.4X22.7,SP					
T401	AA26-50001B	HORIZ.DRIVE:-,7.1MH,102UH,10-20UH,YL081,					
T444	AA26-30004H	TRANS-FLYBACK:-,FSV-14A001,14,125V					
T801	AA26-20006U	TRANS-SWITCHING:-,90-260V,125V/12.5V,EN,					
TU01	AA40-10006F	TUNER-F/S:TELH9-212A,NTSC/USA,TR,181CH					
V999	3704-001089	SOCKET-CRT:7P,22.5PI,12PI,SN,-					
WIRE1	AA65-30104C	CLAMP-WIRE-NYLON 66,V2,NTR,W1 Z4,ALL MOD					
WIRE2	AA65-30109A	CLAMP-FBT:NYLON-66,V2,BLK,-,-,-					
X201	2801-000226	CRYSTAL-UNIT:3.579545MHz,20ppm,28-AAM,15					
X202	2802-000172	RESONATOR-CERAMIC:503.5KHZ,0.5%,BK,7.0X3					
X901	2801-003224	CRYSTAL-UNIT:32.768KHZ,20PPM,28-AAY,12.5					
Z201	2903-001022	FILTER-CERAMIC:TR,4.5MHz,-,0.5dB,-,TP,-					
Z601	2903-000135	FILTER-CERAMIC:BP,4.5MHz,+60KHz,6dB,-,T					
<b>ASSY-ACCESSORY</b>							
*	AA94-30077Y	ASSY-ACCESSORY;CT3366BZX/XAP,K15A,PANAMA					
	AA42-10001V	ANT-ROD:-,3S,620mm,BRN,UJ/CSA					
	AA68-30004A	MANUAL-BOOK:-,W/P120(G)-,SEPA,-,-					
	AA68-11250A	MANUAL-USERS:KCT15A,ENG,TM59,205X150,A/P					
	AA68-11251A	MANUAL-USERS:KCT15A,SPA,TM59,205X150,A/P					
	3721-000136	PLUG-CONVERSION:2P,4.0mm,N,NI					
	AA26-90001F	TRANS-MATCHING:-,300ohm/75ohm,NTSC,40-89					
<b>ASSY-CRT</b>							
*	AA94-50017V	ASSY-CRT:A34KQV42X,+380MG,14,BARE,CT33					
	AA03-10001D	CRT-COLOR:-,A34KQV42X,+380MG,14,90DEG,5					
	AA27-50001K	DEFLECTION-YOKE:-,DSE-1422FL,14/A34KQV4					
	AA27-60001L	MAGNET-CONVERGENCE:-,NY-225,22.5MM					
	AA63-60028A	SPACER-DY:NEOPRENE,-,BLK,V0 W12,-,-					
				<b>ASSY-PCB,A/V FRONT</b>			
				*	AA95-90030M	ASSY-PCB,A/V FRONT:-,CT-2139H,KCT15A,NTS	
	JA703	3722-000506 JACK-RCA:2P,3.6MM,-,AG					
	CN704*	AA39-20070E LEAD-CONNECTOR,ASSY:-,YBNH025-07,67096-0					
	01LOT	AA41-10350A	PCB-A/V:K1,1,FR-1,51X23X1.6T				
				<b>ASSY-SPEAKER</b>			
	*	AA96-10014A	ASSY-SPEAKER:-,80HM,2W,77BR02N,-,L200				
		3001-000281	SPEAKER:2.5W,8ohm,90dB,140HZ				
		AA39-20015B	LEAD-CONNECTOR,ASSY:-,67096-003,-,3(2)P,				
				<b>ASSY-POWER,CORD</b>			
	*	AA96-20109C	ASSY-POWER,CORD:-,CP2/NO(4.0),H/C300,KKP				
		AA39-10006X	POWER-CORD:-,KKP419C,KLCE-2F,2.286MTP,3P,				
		AA61-20284A	HOLDER:-,P-CORD,PP,VO,BLK,KE-002				
				<b>REMOCON</b>			
		AA59-10095T	REMOCON:-,TM59,SS,SZM354EP,25,-,-,L/GR				
				<b>ASSY-CABINET</b>			
	*	AA90-70002G	ASSY-CABINET:3338,CT3338ZX/XAP				
		AA64-30381B	CABINET-BACK:-,3338,73,-,HIPS,HB,BLK,-,-				
		AA65-30008A	CLAMP-CORD-PE,HB,BLK,-,-,-				
		AA65-30106A	CLAMP-D,COIL:NYLON 66,V2,NTR,-,14 INCH,-				
	CRT+CF	AA60-10050Q	SCREW-ASSY:WC,HH,+ ,M5,L26.5,SWRCH18A,ZPC				
		6002-000514	SCREW-TAPPING:RH,+ ,2,M4,L15,ZPC(BLK),SWR				
	CB+CF	6002-000514	SCREW-TAPPING:RH,+ ,2,M4,L15,ZPC(BLK),SWR				
	CB+RCA	6002-000514	SCREW-TAPPING:RH,+ ,2,M4,L15,ZPC(BLK),SWR				
	PA+CF	AA60-10002A	SCREW-TAPPING:RH,+ ,M4,L12,ZPC(YEL)-,OD1				
				<b>ASSY-CABINET,FRONT</b>			
	*	AA91-10033X	ASSY-CABINET,FRONT:-,CT3338Z,PA100 HITRO				
		AA64-70009G	BADGE-BRAND:AL,SS R800 22,GOLD,L40,-,-,-				
		AA61-40010A	BOSS-WING:-,HIPS,HB,NTR,-,-				
		AA64-30151W	CABINET-FRONT:-,CT3338Z,PA100 HITRON EG,				
		AA65-30105A	CLAMP-WIRE:NYLON 66,V2,NTR,15MM,ALL MODE				
		AA64-40189A	INDICATOR-LED:-,3338,-,ACRYL,-,-,-				
		AA64-60161Q	INLAY-AV:V-MODEL,NTSC TVI EG,PS,T0.3,BL				
		AA64-10052A	KNOB-CONTROL:-,3338,-,ABS,HB,BLK				
		AA64-10153B	KNOB-POWER,T:-,3338,SILK,ABS,HB,BLK				
	KNOPOW	AA61-60003J	SPRING-CS:-,SUS304,0.5,OD6,H12,N7,-,-,-				
		AA64-40057A	WINDOW-REMOCON:-,3338,-,PC,VO,VIOLET,-				

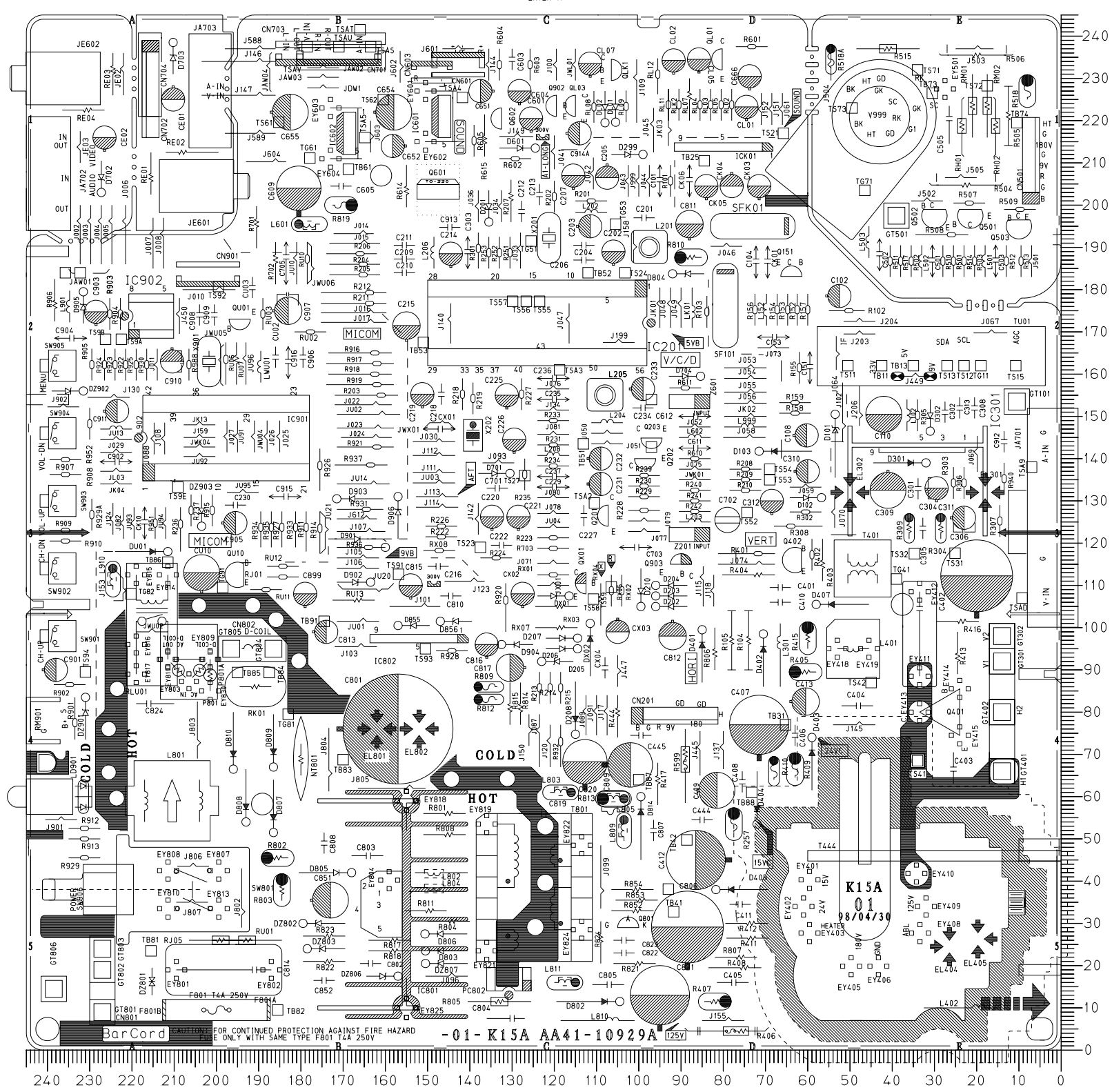
# MEMO

# 8. Block Diagram



# 9. PCB Layout

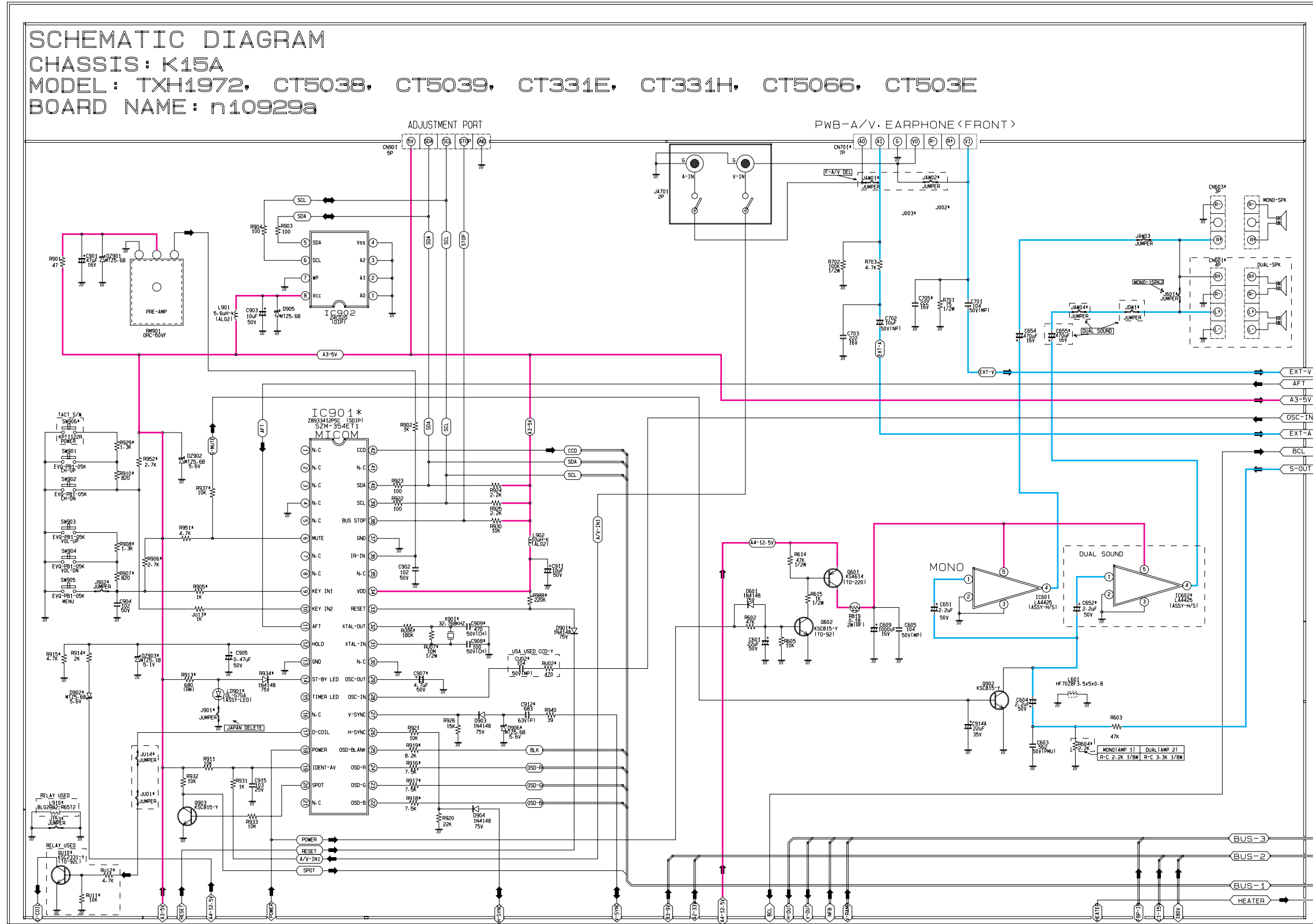
## 9-1 PCB-MAIN



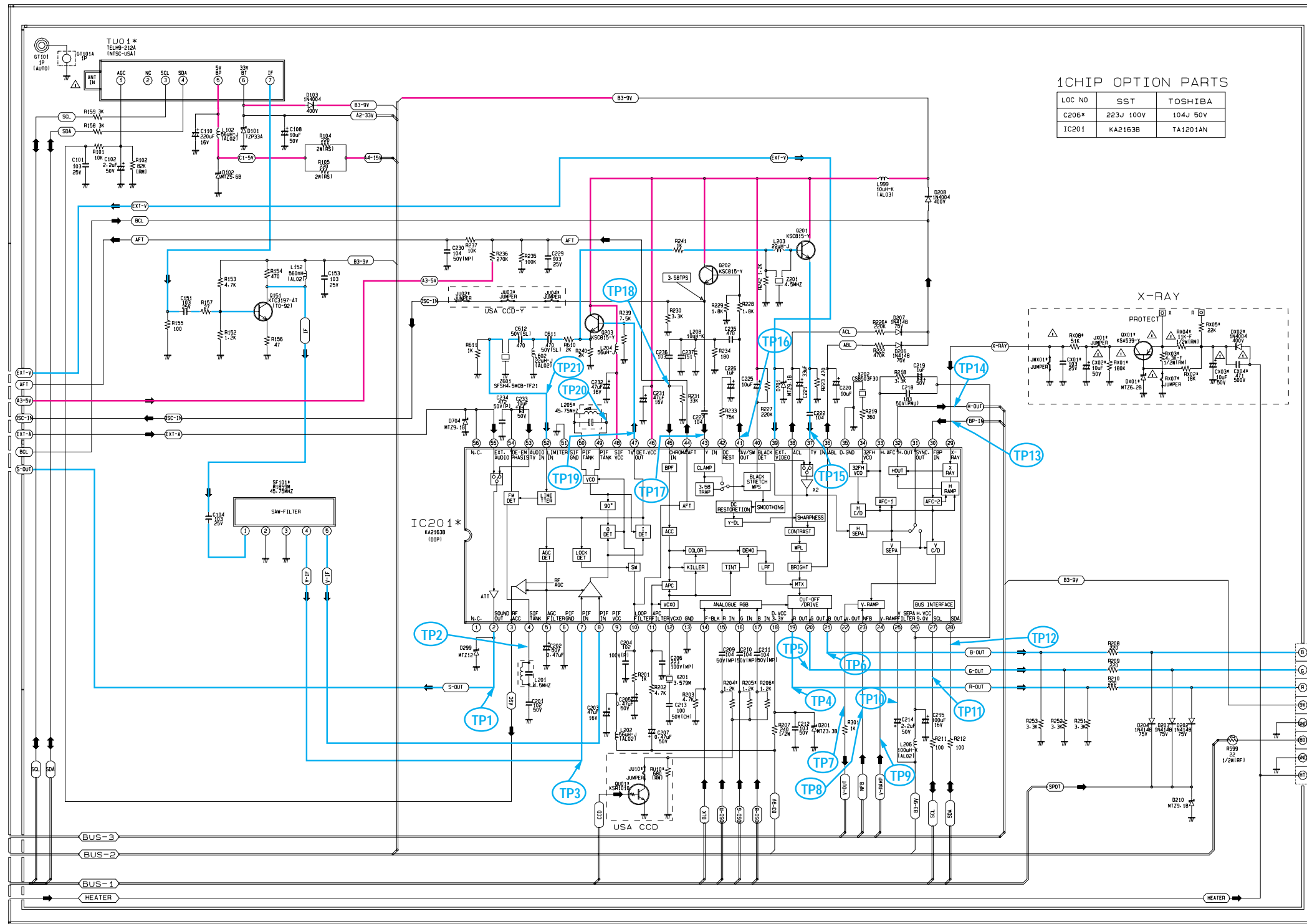
Loc. No.	X	Y	Loc. No.	X	Y
<b>DIODE</b>			<b>IC</b>		
D101	53	150	IC201	100	164
D102	56	130	IC301	50	132
D103	71	141	IC601	146	225
D201	135	196	IC602	168	221
D202	96	105	IC801	155	10
D203	96	107	IC802	141	97
D204	96	110	IC901	215	153
D205	123	92	IC902	219	178
D206	114	95	ICK01	69	213
D207	114	97	<b>TRANSISTOR</b>		
D208	115	74	Q151	61	183
D210	99	105	Q201	107	129
D299	99	212	Q202	101	140
D301	32	139	Q203	99	144
D302	31	146	Q401	24	85
D401	85	99	Q402	63	118
D402	70	98	Q501	24	197
D403	59	74	Q502	32	197
D404	72	53	Q503	12	195
D405	81	38	Q601	145	203
D407	58	105	Q602	132	223
D601	124	213	Q801	100	29
D701	130	136	Q902	119	226
D702	227	203	Q903	87	115
D703	210	238	QL01	80	237
D704	85	159	QL03	115	226
D802	104	11	QLK1	106	229
D803	150	23	QU01	197	173
D804	92	183	QU10	195	115
D805	168	42	QX01	112	113
D806	150	27			
D807	186	51			
D808	193	54			
D809	186	67			
D810	196	66			
D814	99	60			
D855	157	100			
D856	147	101			
D901	160	119			
D902	163	110			
D903	171	130			
D904	132	96			
D905	231	179			
D906	157	131			
DL01	105	219			
DL02	108	219			
DU01	211	118			
DX01	116	107			
DX02	111	101			
DZ801	215	20			
DZ802	179	30			
DZ803	178	24			
DZ806	157	17			
DZ807	150	20			
DZ901	231	83			
DZ902	231	156			
DZ903	203	124			

# 11. Schematic Diagrams

## 11-1 MAIN 1/4

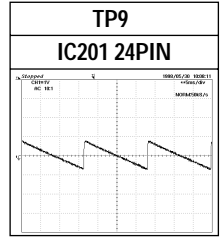
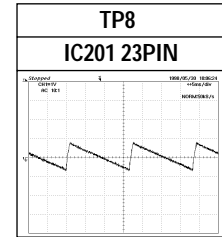
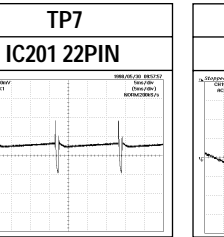
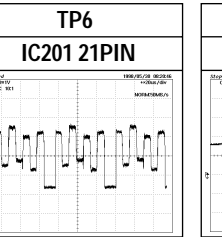
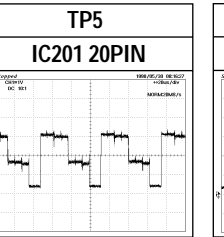
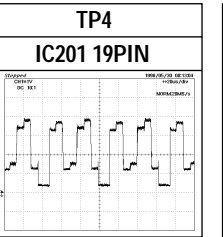
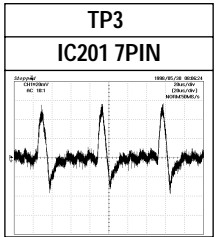
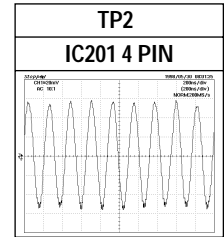
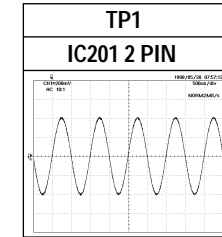
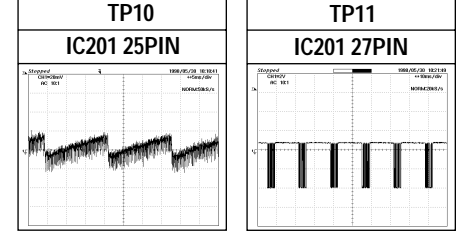
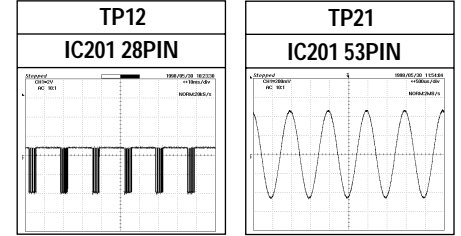
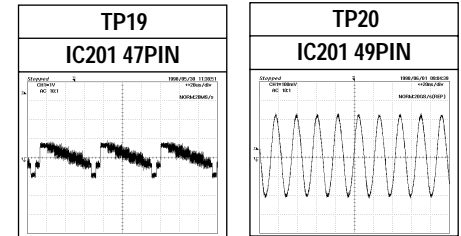
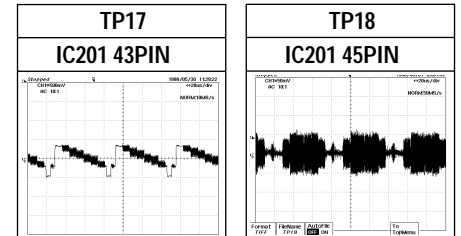
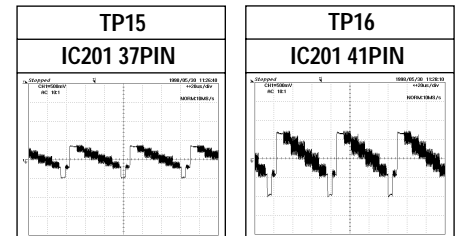
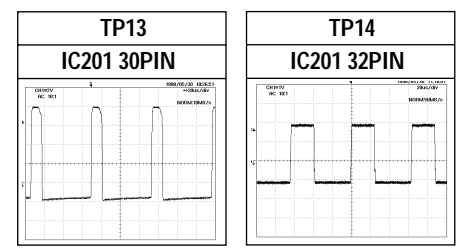


11-2 MAIN 2/4



1CHIP OPTION PARTS

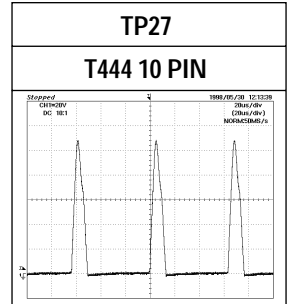
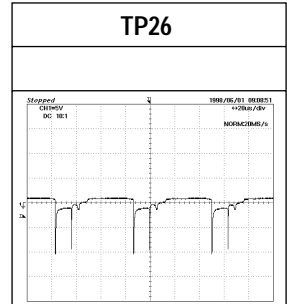
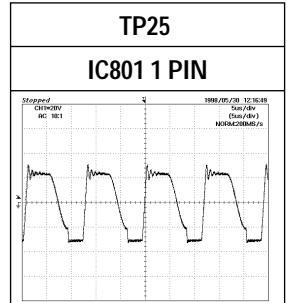
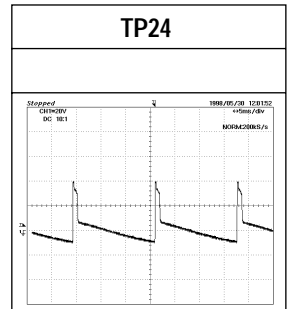
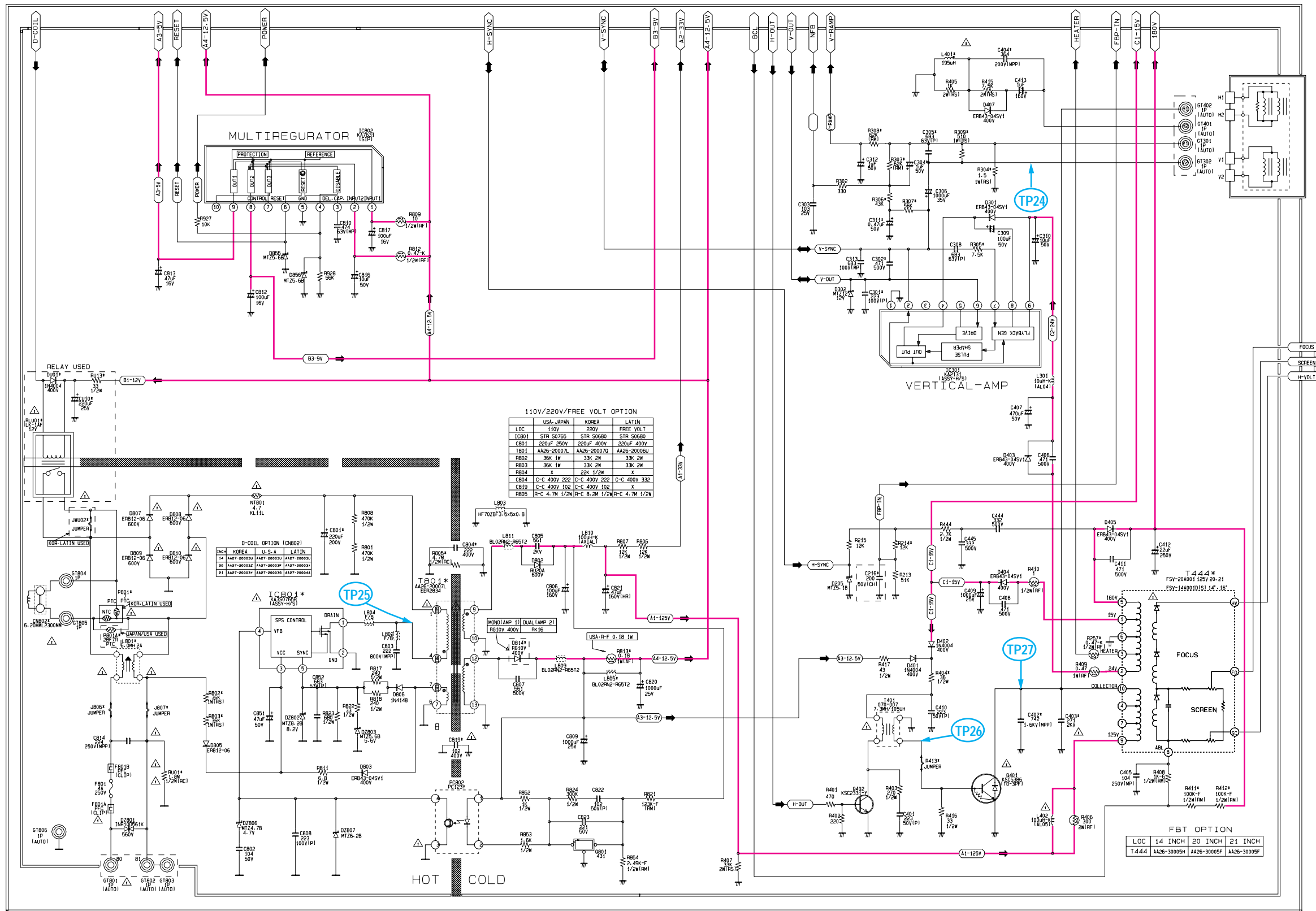
LOC NO	SST	TOSHIBA
C206*	223J 100V	104J 50V
IC201	KA2163B	TA1201AN



— : Power Line  
— : Signal Line



11-3 MAIN 3/4





11-4 MAIN 4/4

