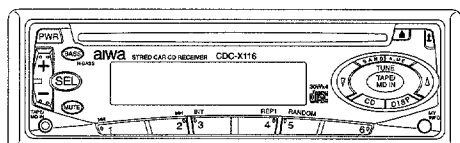


aiwa



CDC-X146M CDC-X1460M



STEREO CAR CD RECEIVER

- BASIC CD MECHANISM: CDC-01A

- TYPE: YU<146M>
YL<1460M>

REVISION PUBLISHING

- This Service Manual is the "Revision Publishing" and replaces "Simple Manual".
(S/M Code No. 09-991-400-6T1)

MANUAL
SERVICE

SPECIFICATIONS

RADIO SECTION

(FM)	
Frequency Range	87.5 MHz –108 MHz (100 kHz steps) 87.5 MHz –108 MHz (50 kHz steps)
Usable Sensitivity	12.7 dBf
50 dB Quieting Sensitivity	17.2 dBf
IF Rejection	80 dB
Frequency Response	30 Hz – 15,000 Hz
S/N Ratio	63 dB
Stereo Separation	35 dB at 1 kHz
Alternate Channel Selectivity	70 dB
Capture Ratio	3 dB

(AM)

Frequency Range	530 kHz – 1,710 kHz (10 kHz steps) 531 kHz – 1,620 kHz (9 kHz steps)
Usable Sensitivity	30 µV (30 dB)

CD SECTION

Frequency Response	17 Hz – 20 kHz +0/-3 dB
Dynamic Range	More than 80 dB
Channel Separation	More than 65 dB
S/N Ratio	More than 85 dB
Wow/Flutter	Unmeasurable

AUDIO SECTION

Max. Power Output 40 W x 4 channels

TAPE/MD IN input

Input Sensitivity (load impedance)
TAPE/MD IN 500 mV (10 kΩ)

GENERAL

Power Supply Voltage 14.4 V (11 to 16 V allowable),
DC, negative ground

Load Impedance 4 Ω

Tone Control Bass ±10 dB at 100 Hz
Treble ±10 dB at 10 kHz

Preamp Output Voltage (load impedance)

2.2 V (10 kΩ)

Installation Size

182 (W) x 53 (H) x 155 (D) mm
(7¹/₄ (W) x 2¹/₈ (H) x 6¹/₈ (D) inches)

* Design and specifications are subject to change without notice.

ACCESSORIES / PACKAGE LIST

If can't understand for Description please kindly refer to "REFERENCE NAME LIST".

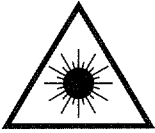
REF. NO.	PART NO.	KANRI NO.	DESCRIPTION
1	8Z-KCF-905-010	IB, INST YL(3L)1460M<1460MYL>	
1	8Z-KCF-902-010	IB, INST YU(3L)146M<146MYU>	
1	8Z-KCF-904-010	IB, YL(3L)1460M<1460MYL>	
1	8Z-KCF-901-010	IB, YU(3L)146M<146MYU>	
2	87-251-073-410	SCREW, U+2.6-6	
3	87-B10-141-010	NUT, 5 TYPE-2	
4	87-B10-143-010	UT1+5-15 W/O SLOT	
5	87-B10-144-010	W, 5.2-10-0.5	
6	87-B10-145-010	W-SPR, 5.3-8.5-1.5	
7	8Z-KC1-030-010	CASE, DFP -C	
8	8Z-KC1-231-010	HLDR, HALF -C	
9	8Z-KC1-232-010	KEY, REMOVE -C	
10	8Z-KC1-235-010	HLDR, REAR MTG	
11	8Z-KC1-244-010	S-SCREW, 5*6 TH+TAPPING ST	
12	8Z-KC1-250-010	S-SCREW, HEXAGON	
13	8Z-KT1-616-010	CONN ASSY, 16P B52	
14	8Z-KC7-691-010	RC UNIT, CD1<1460MYL>	

PROTECTION OF EYES FROM LASER BEAM DURING SERVICING

This set employs laser. Therefore, be sure to follow carefully the instructions below when servicing.

WARNING!!

WHEN SERVICING, DO NOT APPROACH THE LASER EXIT WITH THE EYE TOO CLOSELY. IN CASE IT IS NECESSARY TO CONFIRM LASER BEAM EMISSION. BE SURE TO OBSERVE FROM A DISTANCE OF MORE THAN 30cm FROM THE SURFACE OF THE OBJECTIVE LENS ON THE OPTICAL PICK-UP BLOCK.



- Caution: Invisible laser radiation when open and interlocks defeated avoid exposure to beam.
- Advarsel: Usynlig laserstråling ved åbning, når sikkerhedsafbrydere er ude af funktion. Undgå udsættelse for stråling.

VAROITUS!

Laiteen Käyttäminen muulla kuin tässä käyttöohjeessa mainitulla tavalla saattaa altistaa käyttäjän turvallisuusluokan 1 ylittävälle näkymättömälle lasersäteilylle.

WARNING!

Om apparaten används på annat sätt än vad som specificeras i denna bruksanvisning, kan användaren utsättas för osynlig laserstrålning, som överskrider gränsen för laserklass 1.

Precaution to replace Optical block (KSS-540A)

Body or clothes electrostatic potential could ruin laser diode in the optical block. Be sure ground body and workbench, and use care the clothes do not touch the diode.

- 1) After the connection, remove solder shown in the right figure.

CAUTION

Use of controls or adjustments or performance of procedures other than those specified herein may result in hazardous radiation exposure.

ATTENTION

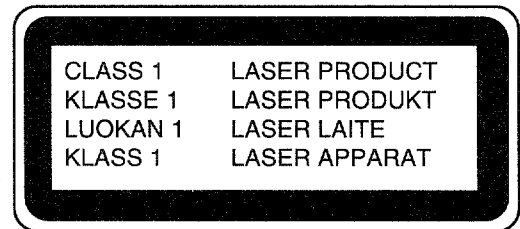
L'utilisation de commandes, réglages ou procédures autres que ceux spécifiés peut entraîner une dangereuse exposition aux radiations.

ADVARSEL

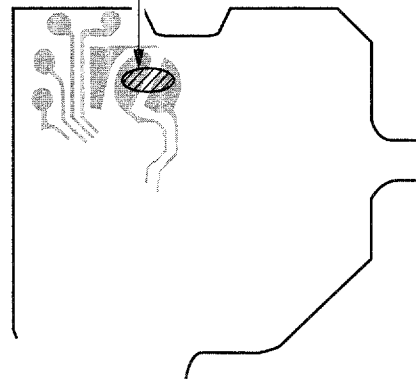
Usynlig laserstråling ved åbning, når sikkerhedsafbrydere er ude af funktion. Undgå udsættelse for stråling.

This Compact Disc player is classified as a CLASS 1 LASER product.

The CLASS 1 LASER PRODUCT label is located on the rear exterior.



PICK UP ASSY P.C.B
SOLDER



ELECTRICAL MAIN PARTS LIST

If can't understand for Description please kindly refer to " REFERENCE NAME LIST ".

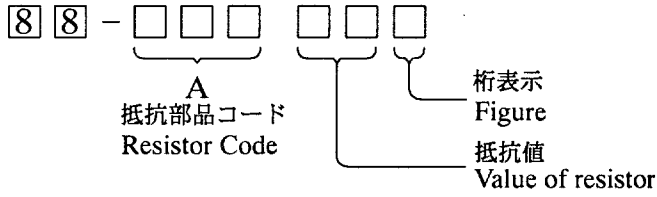
REF. NO.	PART NO.	KANRI NO.	DESCRIPTION	REF. NO.	PART NO.	KANRI NO.	DESCRIPTION
IC				C122	87-012-365-080		C-CAP,S 0.027-25 KB<146MYU>
	82-KT1-622-010	C-IC,LC75374E		C123	87-010-178-080		CHIP CAP,1000P
	87-A20-876-010	IC,HA13158		C124	87-010-178-080		CHIP CAP,1000P
	88-KT1-608-010	C-IC,LC75854W		C125	87-010-197-080		CAP,CHIP 0.01 DM
	87-A90-951-010	RCR UNIT,SBX1971-52		C301	87-010-182-080		C-CAP,S 2200P-50 KB
	87-A21-268-010	C-IC,UPD178016AGC-535-3B9		C302	87-010-182-080		C-CAP,S 2200P-50 KB
				C303	87-010-182-080		C-CAP,S 2200P-50 KB
	88-KT1-606-080	IC,PST994D		C304	87-010-178-080		C-CAP,S 1000P-50 KB
	87-020-784-080	IC,TC4053BF		C305	87-010-178-080		C-CAP,S 1000P-50 KB
	87-A20-258-040	IC,SM5877AM		C401	87-010-494-040		CAP,E 1-50 GAS
	87-A21-079-040	IC,BA6995FP		C402	87-010-494-040		CAP,E 1-50 GAS
	87-A20-031-080	IC,BA6195FP		C403	87-010-494-040		CAP,E 1-50 GAS
				C404	87-010-494-040		CAP,E 1-50 GAS
	87-017-745-010	IC,CXA1782BQ		C405	87-010-494-040		CAP,E 1-50 GAS
	87-070-130-010	IC,CXD2507AQ		C406	87-010-494-040		CAP,E 1-50 GAS
	88-KC4-615-010	IC,UPD78014FGC-622-AB8		C407	87-010-494-040		CAP,E 1-50 GAS
				C408	87-010-494-040		CAP,E 1-50 GAS
TRANSISTOR				C409	87-010-498-040		CAP,E 10-16 GAS
	87-026-235-080	C-TR,DTC114EK		C410	87-010-498-040		CAP,E 10-16 GAS
	87-A30-289-040	C-TR,2SA1037AK(R)		C411	87-010-494-040		CAP,E 1-50 GAS
	87-A30-287-040	C-TR,DTC114TKA		C412	87-010-494-040		CAP,E 1-50 GAS
	89-324-122-080	C-TR,2SC2412K		C413	87-010-498-040		CAP,E 10-16 GAS
	87-A30-279-040	C-TR,DTC314TK		C414	87-010-498-040		CAP,E 10-16 GAS
				C415	87-010-498-040		CAP,E 10-16 GAS
	87-A30-300-080	TR,2SB1277		C416	87-010-498-040		CAP,E 10-16 GAS
	87-A30-299-080	TR,2SB1326		C417	87-010-498-040		CAP,E 10-16 GAS
	87-A30-302-040	C-TR,2SD1758-F5		C418	87-010-498-040		CAP,E 10-16 GAS
	87-A30-298-080	TR,2SD2396		C419	87-010-498-040		CAP,E 10-16 GAS
	89-211-323-080	C-TR,2SB1132R		C420	87-010-555-040		CAP,E 100-10 GAS
				C421	87-010-494-040		CAP,E 1-50 GAS
	87-A30-301-080	TR,2SD1862		C422	87-010-494-040		CAP,E 1-50 GAS
	87-A30-011-080	C-TR,DTB113ZK		C423	87-010-494-040		CAP,E 1-50 GAS
	87-026-236-080	C-TR,DTC124EK		C424	87-010-494-040		CAP,E 1-50 GAS
	87-026-239-080	C-TR,DTC114TK		C425	87-012-140-080		CAP,470P
	87-A30-248-040	C-TR,2SB1197KQ		C426	87-012-140-080		CAP,470P
				C427	87-012-140-080		CAP,470P
DIODE				C428	87-012-140-080		CAP,470P
	87-020-585-080	C-ZENER,02CZ6.2Y		C429	87-010-498-040		CAP,E 10-16 GAS
	87-A40-654-010	DIODE,DSA17C		C430	87-010-498-040		CAP,E 10-16 GAS
	87-A40-523-080	ZENER,MTZJ9.1B		C431	87-010-184-080		CHIP CAPACITOR,3300P(K)
	87-A40-624-080	ZENER,MTZJ10A		C432	87-010-184-080		CHIP CAPACITOR,3300P(K)
	87-A40-189-080	DIODE,ISR139-400		C433	87-010-198-080		CAP,CHIP 0.022
				C434	87-010-198-080		CAP,CHIP 0.022
	87-020-465-080	DIODE,1SS133		C435	87-A11-177-080		C-CAP,S 0.15-16 K B
	87-070-136-080	ZENER,MTZJ5.1B		C436	87-A11-177-080		C-CAP,S 0.15-16 K B
	87-017-932-080	ZENER,MTZJ6.2B		C437	87-A11-177-080		C-CAP,S 0.15-16 K B
	87-017-931-080	ZENER,MTZJ5.6B		C438	87-A11-177-080		C-CAP,S 0.15-16 K B
	87-A40-509-080	ZENER,MTZJ6.8C		C439	87-010-196-080		CHIP CAPACITOR,0.1-25
				C440	87-010-491-040		CAP,E 0.22-50 GAS
	87-A40-650-080	ZENER,MTZJ6.8A		C441	87-010-491-040		CAP,E 0.22-50 GAS
	87-020-331-080	C-DIODE,DAN202K		C551	87-010-494-040		CAP,E 1-50 GAS
MAIN C.B				C552	87-010-494-040		CAP,E 1-50 GAS
ANT101	82-KT1-614-010	ANT,AW-002		C553	87-010-494-040		CAP,E 1-50 GAS
C101	87-010-197-080	CAP,CHIP 0.01 DM		C554	87-010-494-040		CAP,E 1-50 GAS
C102	87-010-197-080	CAP,CHIP 0.01 DM		C555	87-010-178-080		CHIP CAP,1000P
C103	87-010-322-080	C-CAP,S 100P-50 CH		C556	87-010-178-080		CHIP CAP,1000P
C104	87-010-498-040	CAP,E 10-16 GAS		C557	87-010-178-080		CHIP CAP,1000P
C105	87-010-498-040	CAP,E 10-16 GAS		C558	87-010-178-080		CHIP CAP,1000P
C106	87-010-322-080	C-CAP,S 100P-50 CH		C559	87-010-498-040		CAP,E 10-16 GAS
C107	87-010-322-080	C-CAP,S 100P-50 CH		C560	82-KC1-630-090		CAP,E 3300U-16 M 105 EX
C108	87-010-494-040	CAP,E 1-50 GAS		C563	87-010-497-040		CAP,E 4.7-35 M 5L SRE
C109	87-010-494-040	CAP,E 1-50 GAS		C609	87-010-197-080		CAP,CHIP 0.01 DM
C110	87-010-186-080	CAP,CHIP 4700P		C851	87-016-669-080		C-CAP,S 0.1-25 KB
C111	87-010-490-040	CAP,ELECT 0.1-50		C852	87-010-182-080		C-CAP,S 2200P-50 KB
C112	87-010-197-080	CAP,CHIP 0.01 DM		C853	87-010-178-080		C-CAP,S 1000P-50 KB
C113	87-010-072-040	CAP,E 2.2-50 M 5L SRE		C854	87-010-178-080		C-CAP,S 1000P-50 KB
C119	87-010-490-040	CAP,ELECT 0.1-50		C855	87-010-178-080		C-CAP,S 1000P-50 KB
C121	87-010-220-080	C-CAP,S 0.018-25 KB<146OMYL>		C856	87-010-178-080		C-CAP,S 1000P-50 KB
C122	87-010-220-080	C-CAP,S 0.018-25 KB<146OMYL>		C857	87-010-178-080		C-CAP,S 1000P-50 KB
				C858	87-010-178-080		C-CAP,S 1000P-50 KB

REF. NO.	PART NO.	KANRI NO.	DESCRIPTION	REF. NO.	PART NO.	KANRI NO.	DESCRIPTION
C859	87-010-178-080		C-CAP,S 1000P-50 KB	PL804	8Z-KT1-641-010		LAMP,T-3
C860	87-010-178-080		C-CAP,S 1000P-50 KB	PL805	8Z-KT1-641-010		LAMP,T-3
C861	87-010-198-080		CAP,CHIP 0.022	PL806	8Z-KT1-641-010		LAMP,T-3
C864	87-010-498-040		CAP,E 10-16 GAS	PL807	8Z-KT1-641-010		LAMP,T-3
C865	87-010-555-040		CAP,E 100-10 GAS	PL808	8Z-KT1-641-010		LAMP,T-3
C866	87-010-194-080		C-CAP,S 0.047-25 ZF	SW801	87-A90-001-080		C-SW,TACT SKQMAL
C867	87-010-237-080		CAP,E 1000-16 M 11L SME	SW802	87-A91-159-010		SW,TACT SKHLAD
C868	87-010-555-040		CAP,E 100-10 GAS	SW803	87-A91-159-010		SW,TACT SKHLAD
C869	87-010-555-040		CAP,E 100-10 GAS	SW804	87-A91-159-010		SW,TACT SKHLAD
C870	87-010-555-040		CAP,E 100-10 GAS	SW805	87-A91-159-010		SW,TACT SKHLAD
C871	87-010-182-080		C-CAP,S 2200P-50 KB	SW806	87-A91-159-010		SW,TACT SKHLAD
C880	87-010-182-080		C-CAP,S 2200P-50 KB	SW807	87-A91-159-010		SW,TACT SKHLAD
C901	87-010-198-080		CAP,CHIP 0.022	SW808	87-A91-159-010		SW,TACT SKHLAD
C902	87-010-198-080		CAP,CHIP 0.022	SW809	87-A91-159-010		SW,TACT SKHLAD
C903	87-010-194-080		CAP,CHIP 0.047	SW810	87-A91-159-010		SW,TACT SKHLAD
C904	87-010-198-080		CAP,CHIP 0.022	SW811	87-A90-001-080		C-SW,TACT SKQMAL
C905	87-010-498-040		CAP,E 10-16 GAS	SW812	87-A91-159-010		SW,TACT SKHLAD
C906	87-010-553-040		CAP,E 47-16 GAS	SW813	87-A91-159-010		SW,TACT SKHLAD
C907	87-010-497-040		CAP,E 4.7-35 GAS	SW814	87-A91-159-010		SW,TACT SKHLAD
C908	87-010-196-080		CHIP CAPACITOR,0.1-25	SW815	87-A91-159-010		SW,TACT SKHLAD
C909	87-010-315-080		C-CAP,S 27P-50 CH	SW816	87-A90-001-080		C-SW,TACT SKQMAL
C910	87-016-039-010		CAP,DL 0.022F-5.5 Z70	SW817	87-A91-159-010		SW,TACT SKHLAD
C911	87-010-315-080		C-CAP,S 27P-50 CH	SW818	87-A91-159-010		SW,TACT SKHLAD
C912	87-010-196-080		CHIP CAPACITOR,0.1-25	SW819	87-A90-001-080		C-SW,TACT SKQMAL
C913	87-010-198-080		CAP,CHIP 0.022	SW820	87-A90-001-080		C-SW,TACT SKQMAL
C914	87-010-198-080		CAP,CHIP 0.022	SW821	87-A90-001-080		C-SW,TACT SKQMAL
C915	87-010-198-080		CAP,CHIP 0.022	SW822	87-A91-159-010		SW,TACT SKHLAD
C916	87-010-322-080		C-CAP,S 100P-50 CH				
C917	87-010-322-080		C-CAP,S 100P-50 CH				
C920	87-010-198-080		CAP,CHIP 0.022				CD C.B
C926	87-010-555-040		CAP,E 100-10 GAS	C303	87-A10-259-080		MF4.7/16V
C927	87-010-196-080		CHIP CAPACITOR,0.1-25	C304	87-A10-259-080		MF4.7/16V
C928	87-010-178-080		C-CAP,S 1000P-50 KB	C307	87-A11-036-080		MF47MF/6.3V
C998	87-016-669-080		C-CAP,S 0.1-25 KB	C403	87-A10-473-080		MF47MF/10V
CON851	8Z-KT1-611-010		CONN,16P CAM-B51	C407	87-A11-036-080		MSVC1A476M
CON901	87-A60-861-080		C-CONN,20P 08-6224-020-001	C501	87-A10-019-080		MSVA0J106M
D101	88-KC4-607-080		PROTECTOR,DSP-301N-A21F	C507	87-A10-259-080		MF4.7/16V
D909	87-027-262-010		LED,TLR-124(RED)	C512	87-016-561-080		MF10MF/6.3V
F881	8Z-KC1-621-010		FUSE,15A 32V	C521	87-A11-037-080		MSVD21A107M
J751	88-KTA-604-010		JACK,PIN 4P V-TYPE	C529	87-A10-473-080		MF47MF/10V
J851	8Z-KT1-618-010		JACK,DIN 13P TCS5116	C536	87-A10-259-080		MF4.7/16V
L101	87-003-143-080		COIL,4.7UH	C538	87-A11-036-080		MF47MF/6.3V
L104	8Z-KT1-619-010		COIL,68MH K7-D	C609	87-A10-019-080		MSVA0J106M
L301	87-003-143-080		OILL,4.7UH K LAL02	C612	87-A10-019-080		MSVA0J106M
L302	87-005-849-080		COIL,10UH K CECS	C613	87-A10-019-080		MSVA0J106M
L303	87-A50-079-080		COIL,22UH(CECS)	C613	87-A10-019-080		MSVA0J106M
L801	8Z-KT1-615-010		FLTR,AMORPHOUS-CHOKE	CN1	87-A60-748-080		CONN,16P
L852	87-003-149-080		COIL,47UH	CN2	87-A60-749-080		CONN,20P
L902	87-003-149-080		COIL,47UH	FC2	8Z-KC1-611-010		FF-CABLE,20P 1.0 80MM
L903	87-003-149-080		COIL,47UH	L303	87-003-184-080		COIL,100K
SW901	87-A91-070-010		SW,TACT SKHHLV	L501	87-003-184-080		COIL,100K
SW904	87-A91-152-010		SW,SL 1-1-2 SSSS212-11-A	L502	87-003-184-080		COIL,100K
TU101	8Z-KT1-631-010		TU UNIT,FAE347-A02	L503	87-003-184-080		COIL,100K
X901	87-A70-175-010		VIB,XTAL 4.5MHZ AT-49	L504	87-003-184-080		COIL,100K
				L601	87-003-184-080		COIL,100K
FRONT C.B				SW4	S1-100-570-410		SW,MPU10372MLB
C801	87-010-176-080		C-CAP,S 680P-50 SL	X301	87-A70-163-080		X'TAL,CSTCV 16.93MXJ0C4
C802	87-010-196-080		CHIP CAPACITOR,0.1-25	X601	87-A70-092-080		X'TAL,CSTCC8.00MG
C803	87-010-194-080		CAP,CHIP 0.047				
C804	87-010-194-080		CAP,CHIP 0.047				AUX C.B
C807	87-010-178-080		CHIP CAP,1000P				
C808	87-010-154-080		CAP,CHIP 10P	J451	87-A60-249-010		JACK,MOJ-B32
LCD801	8Z-KC2-606-010		LCD,ZKC-2				
PL801	8Z-KT1-641-010		LAMP,T-3				SENSOR C.B
PL802	8Z-KT1-641-010		LAMP,T-3				
PL803	8Z-KT1-641-010		LAMP,T-3				

- Regarding connectors for the CD C.C, they are not stocked as they are not the initial order items. The connectors are available after they are supplied from connector manufacturers upon the order is received.

チップ抵抗部品コード/CHIP RESISTOR PART CODE

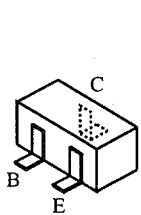
チップ抵抗部品コードの成り立ち
Chip Resistor Part Coding



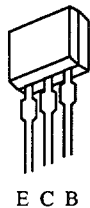
チップ抵抗
Chip resistor

容量 Wattage	種類 Type	許容誤差 Tolerance	記号 Symbol	寸法/Dimensions (mm)			抵抗コード : A Resistor Code : A	
				外形/Form	L	W		t
1/16W	1005	± 5%	CJ		1.0	0.5	0.35	104
1/16W	1608	± 5%	CJ		1.6	0.8	0.45	108
1/10W	2125	± 5%	CJ		2	1.25	0.45	118
1/8W	3216	± 5%	CJ		3.2	1.6	0.55	128

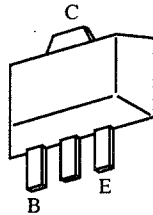
TRANSISTOR ILLUSTRATION



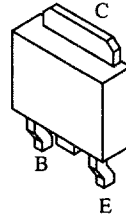
2SA1037
2SB1197
2SC2412
DTB113ZK
DTC114EK
DTC114TK
DTC114TKA
DTC124EK
DTC314TK



2SB1277
2SB1326
2SD1862



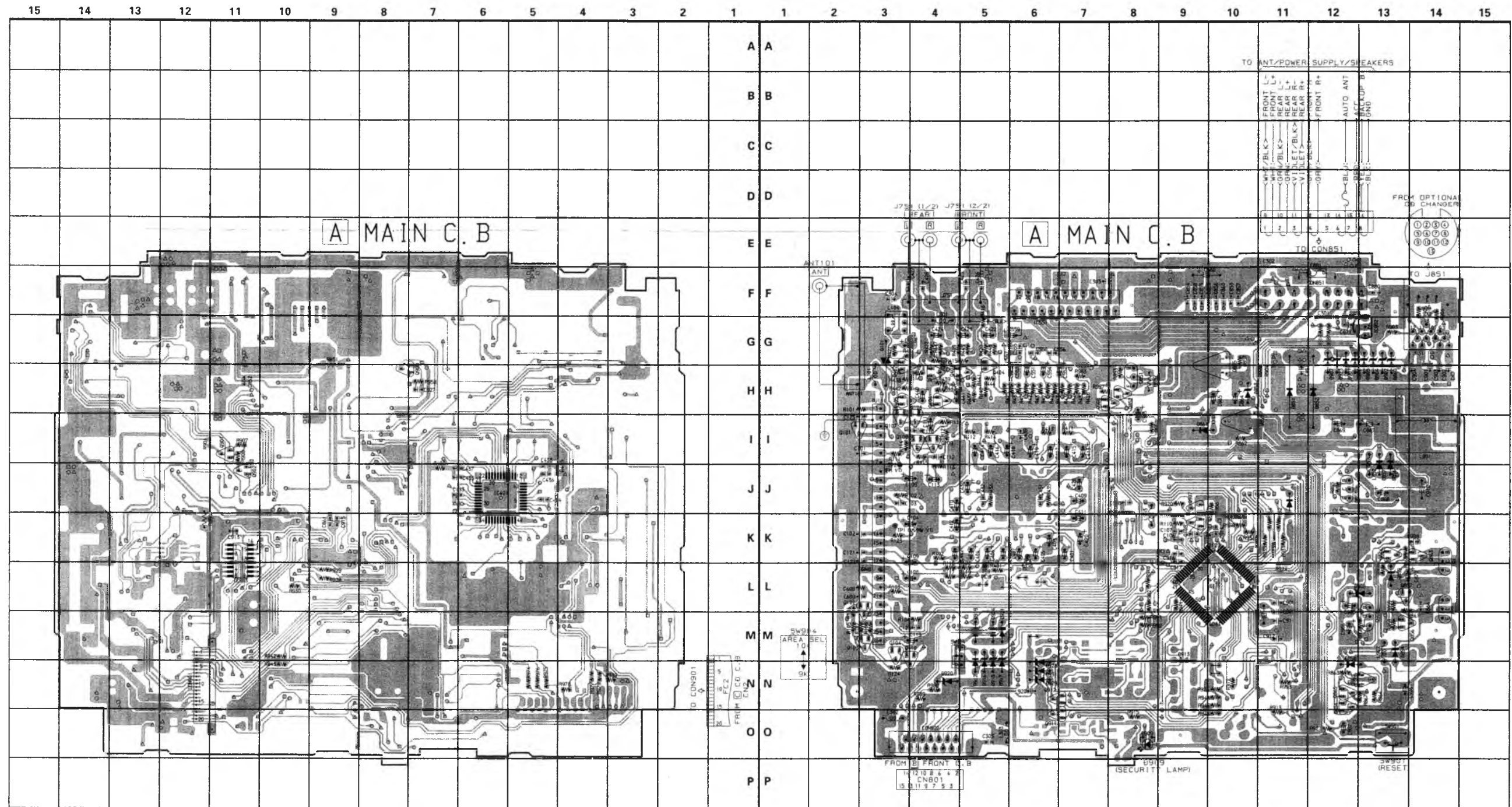
2SB1132

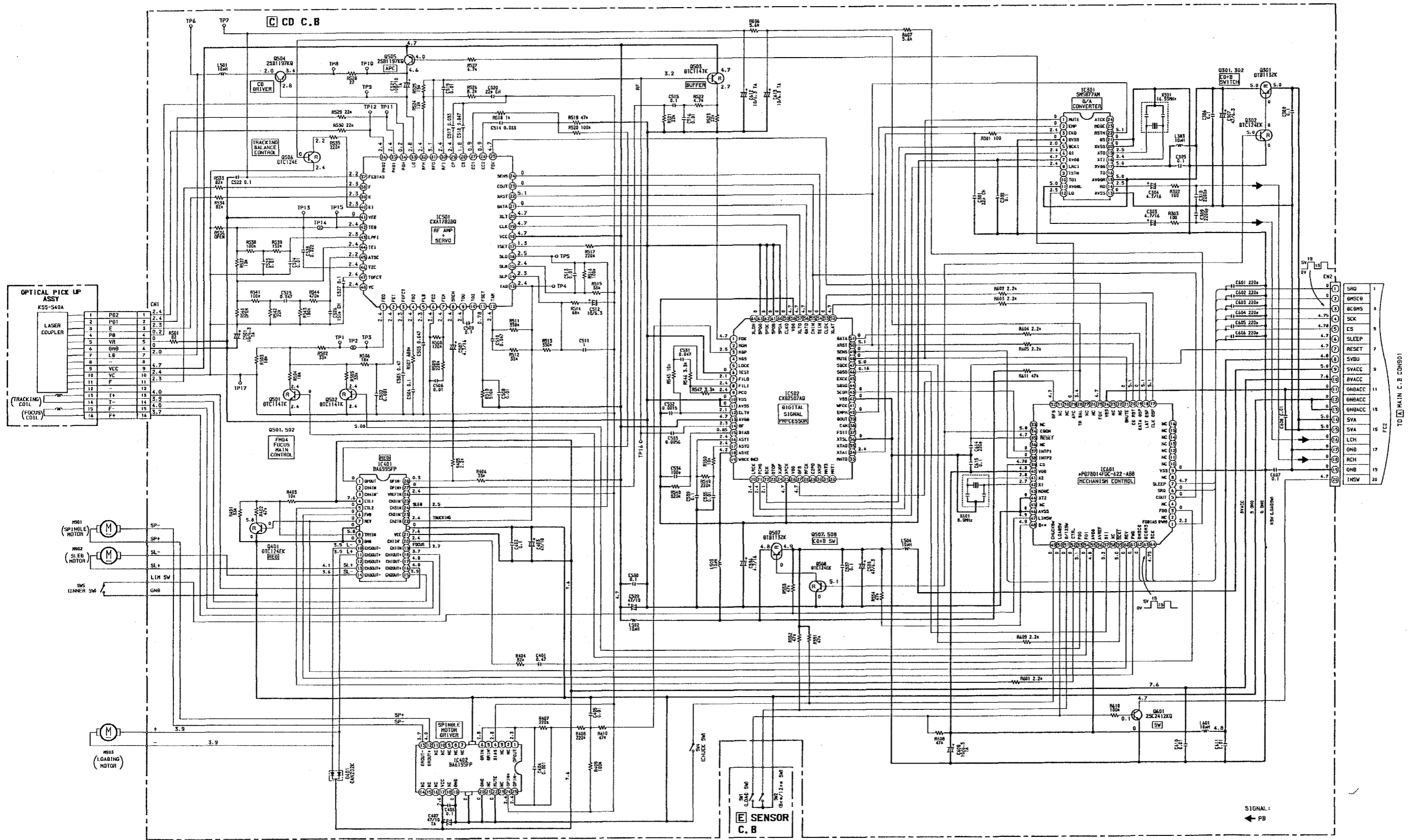


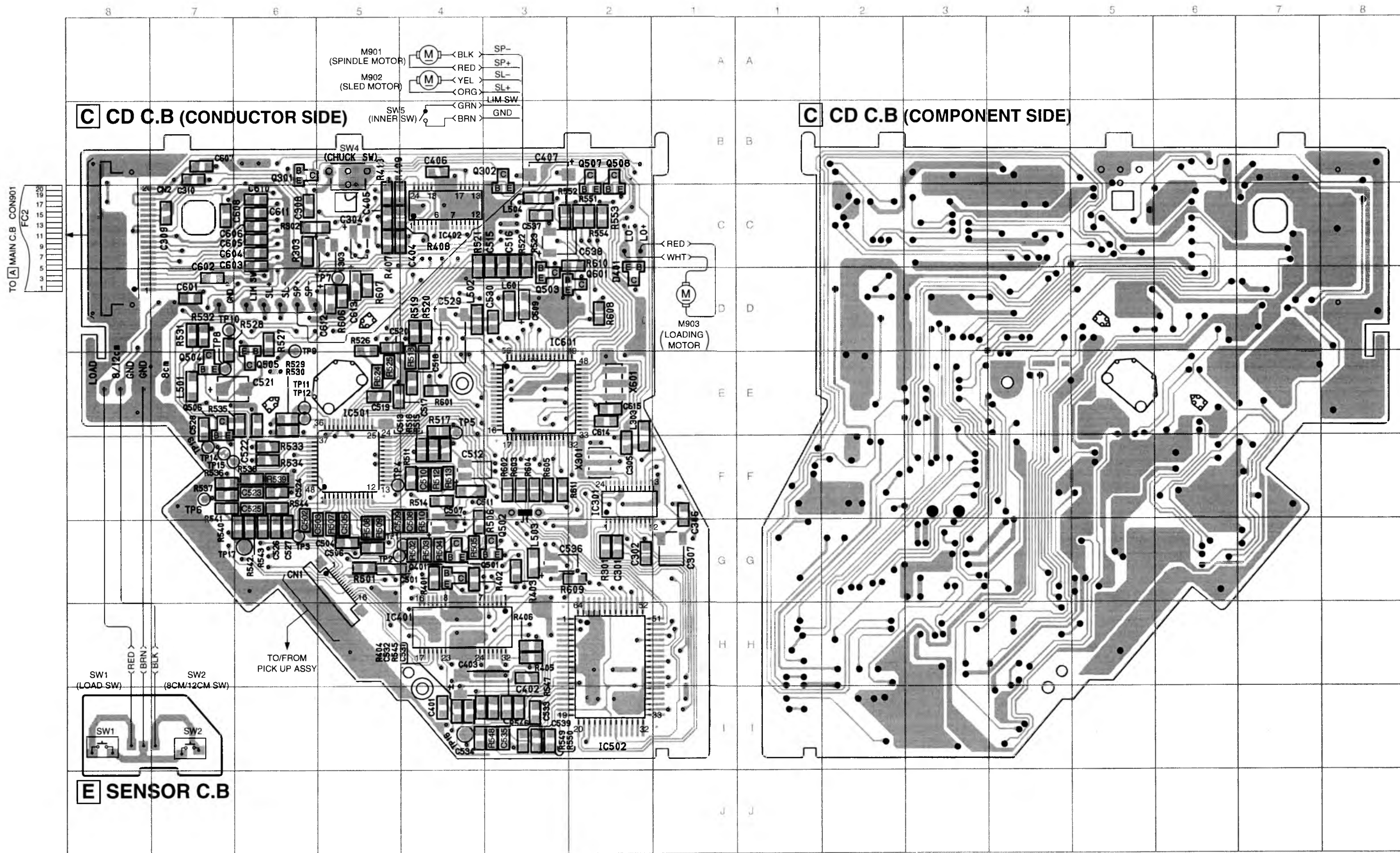
2SD1758

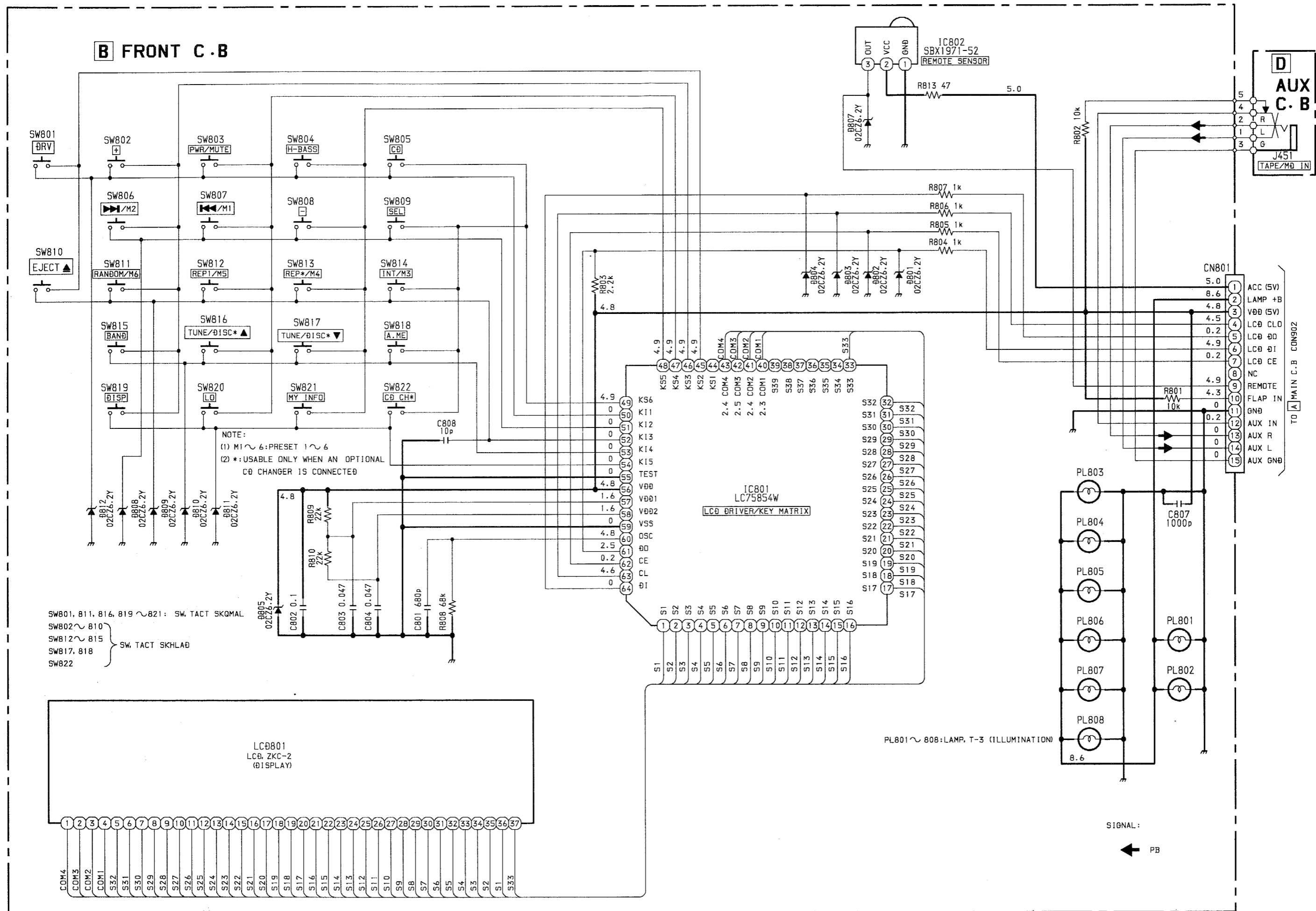


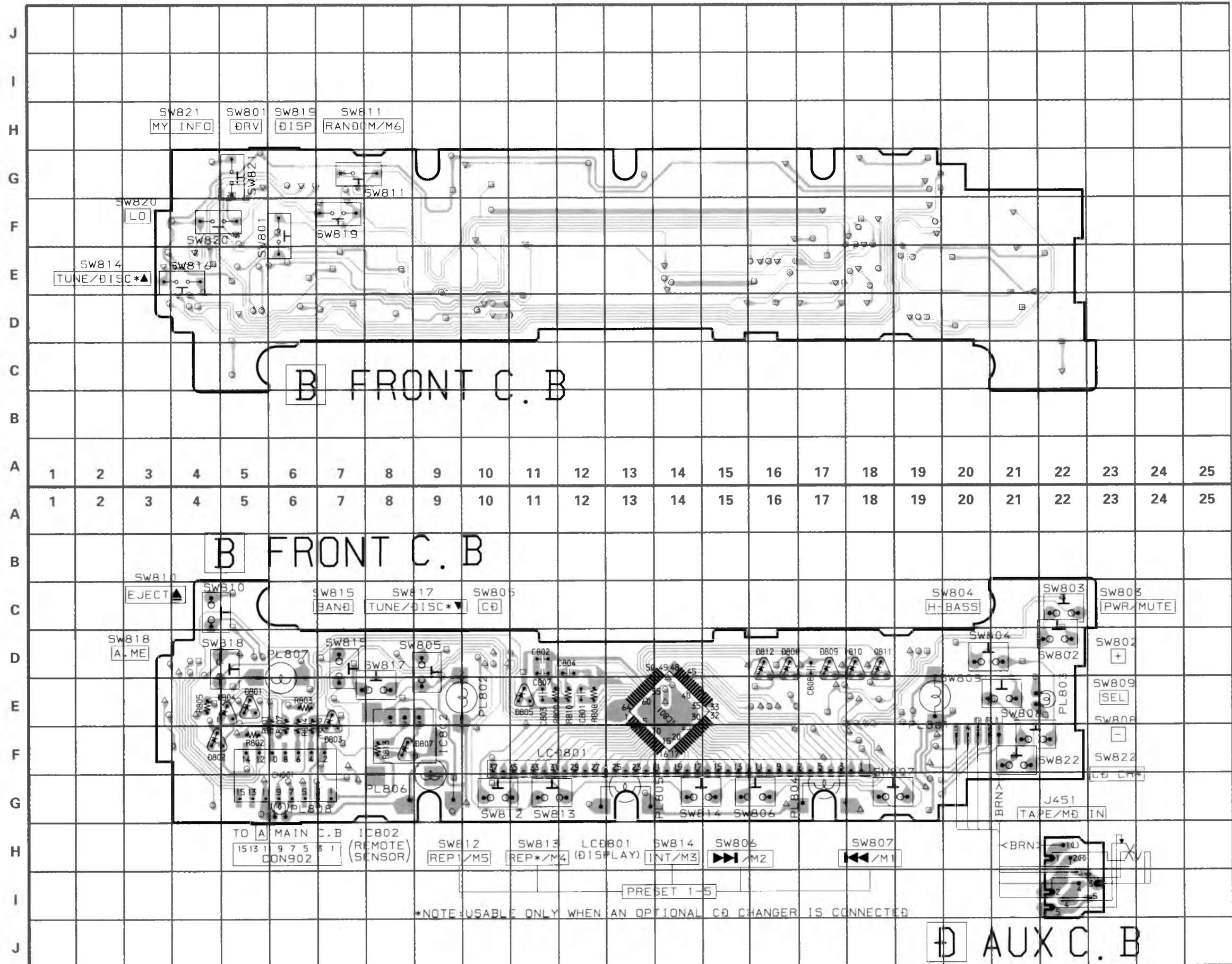
2SD2396



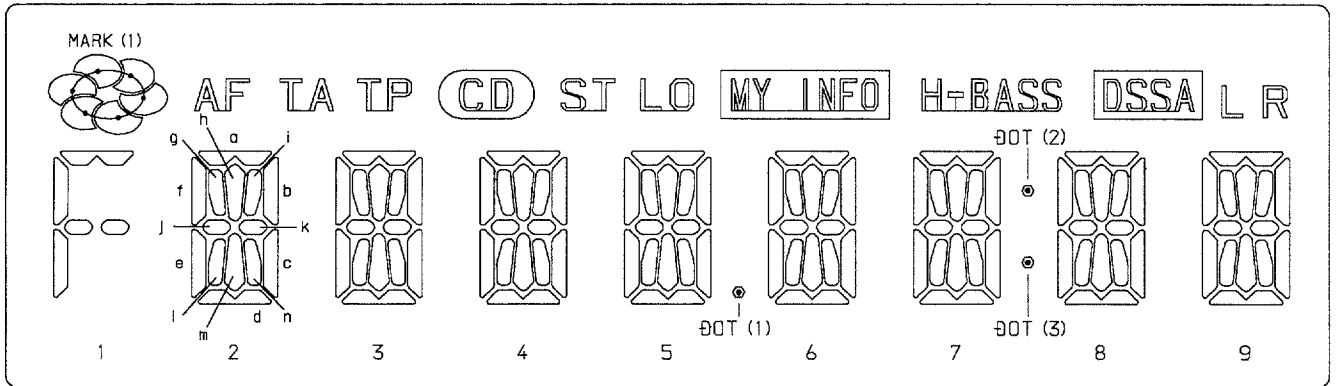








LCD DISPLAY

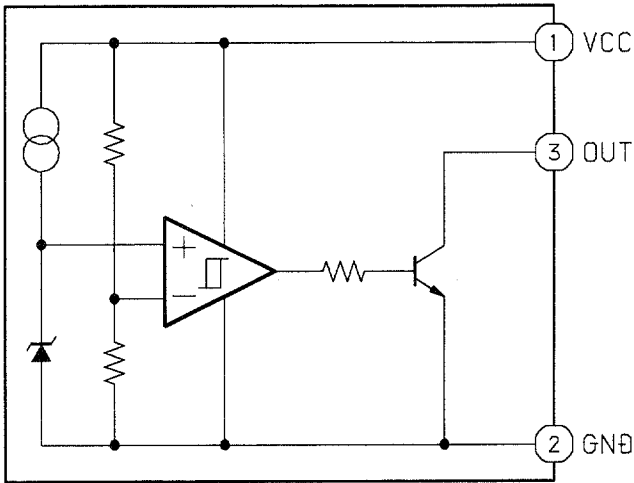


NO.	COM1	COM2	COM3	COM4
1	-	-	-	COM4
2	-	-	COM3	-
3	-	COM2	-	-
4	COM1	-	-	-
5	2d	2e	2f	1a, e, f, j, k
6	2m	2l	2j	2g
7	2n	2k	2i	2h
8	AF	2c	2b	2a
9	3d	3e	3f	TA
10	3m	3l	3j	3g
11	3n	3k	3i	3h
12	TP	3c	3b	3a
13	4d	4e	4f	R
14	4m	4l	4j	4g
15	4n	4k	4i	4h
16	L	4c	4b	4a
17	5d	5e	5f	-
18	5m	5l	5j	5g
19	5n	5k	5i	5h

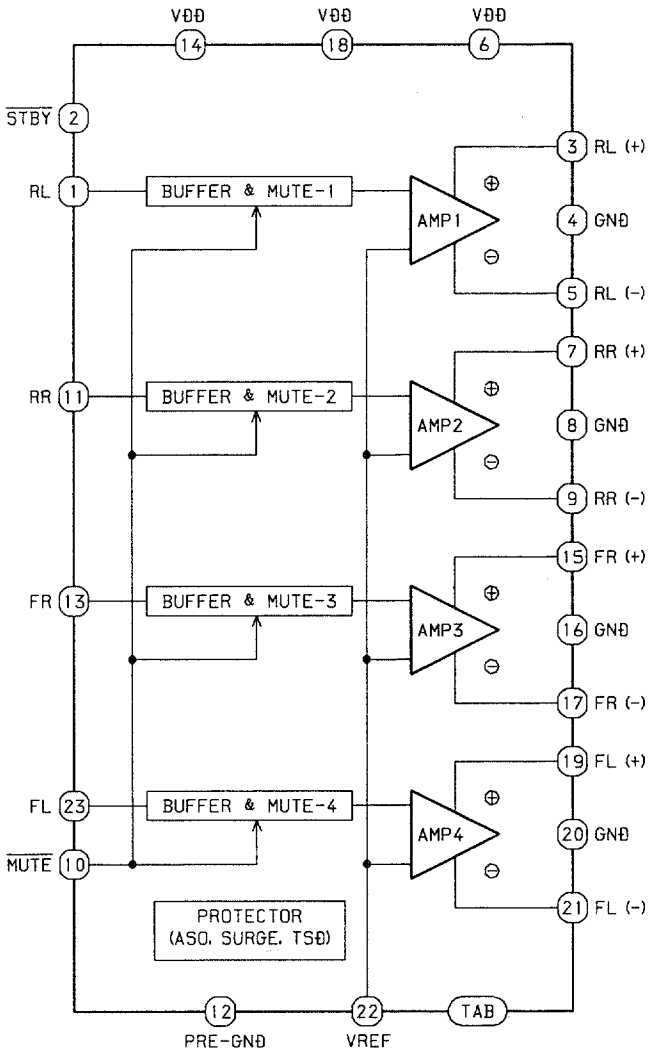
NO.	COM1	COM2	COM3	COM4
18	5m	5l	5j	5g
19	5n	5k	5i	5h
20	DOT (1)	5c	5b	5a
21	6d	6e	6f	-
22	6m	6l	6j	6g
23	6n	6k	6i	6h
24	DSSA	6c	6b	6a
25	7d	7e	7f	MY INFO
26	7m	7l	7j	7g
27	7n	7k	7i	7h
28	DOT (3)	7c	7b	7a
29	8d	8e	8f	DOT (2)
30	8m	8l	8j	8g
31	8n	8k	8i	8h
32	H+BASS	8c	8b	8a
33	9d	9e	9f	LO
34	9m	9l	9j	9g
35	9n	9k	9i	9h
36	ST	9c	9b	9a
37	MARK (1)	-	-	CD

IC BLOCK DIAGRAM

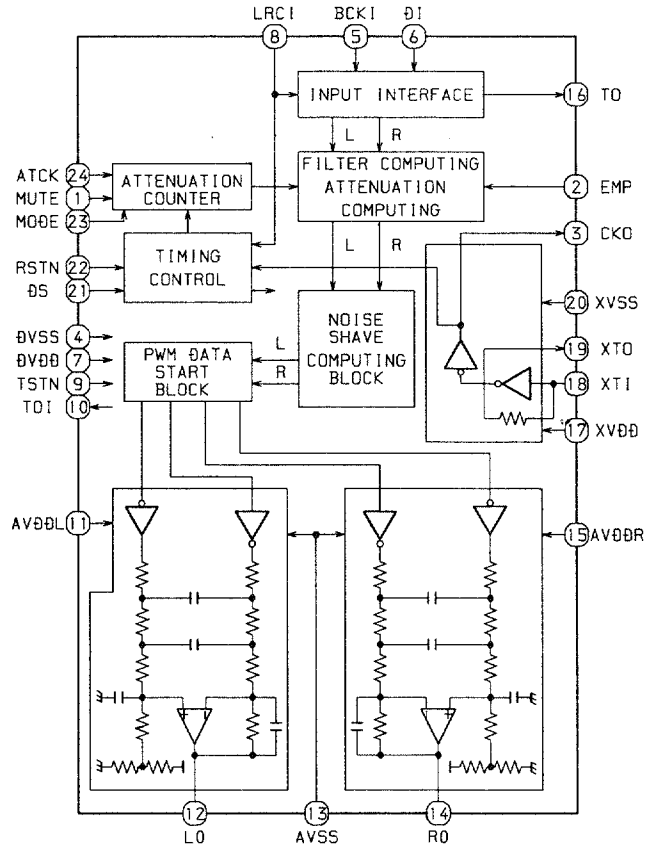
IC, PST994D



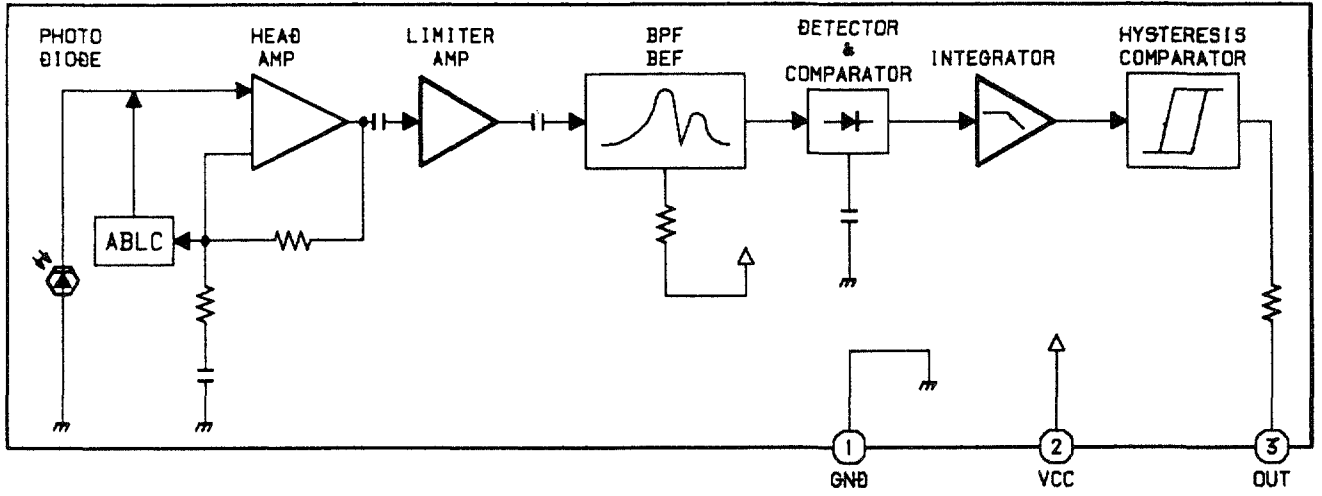
IC, HA13158



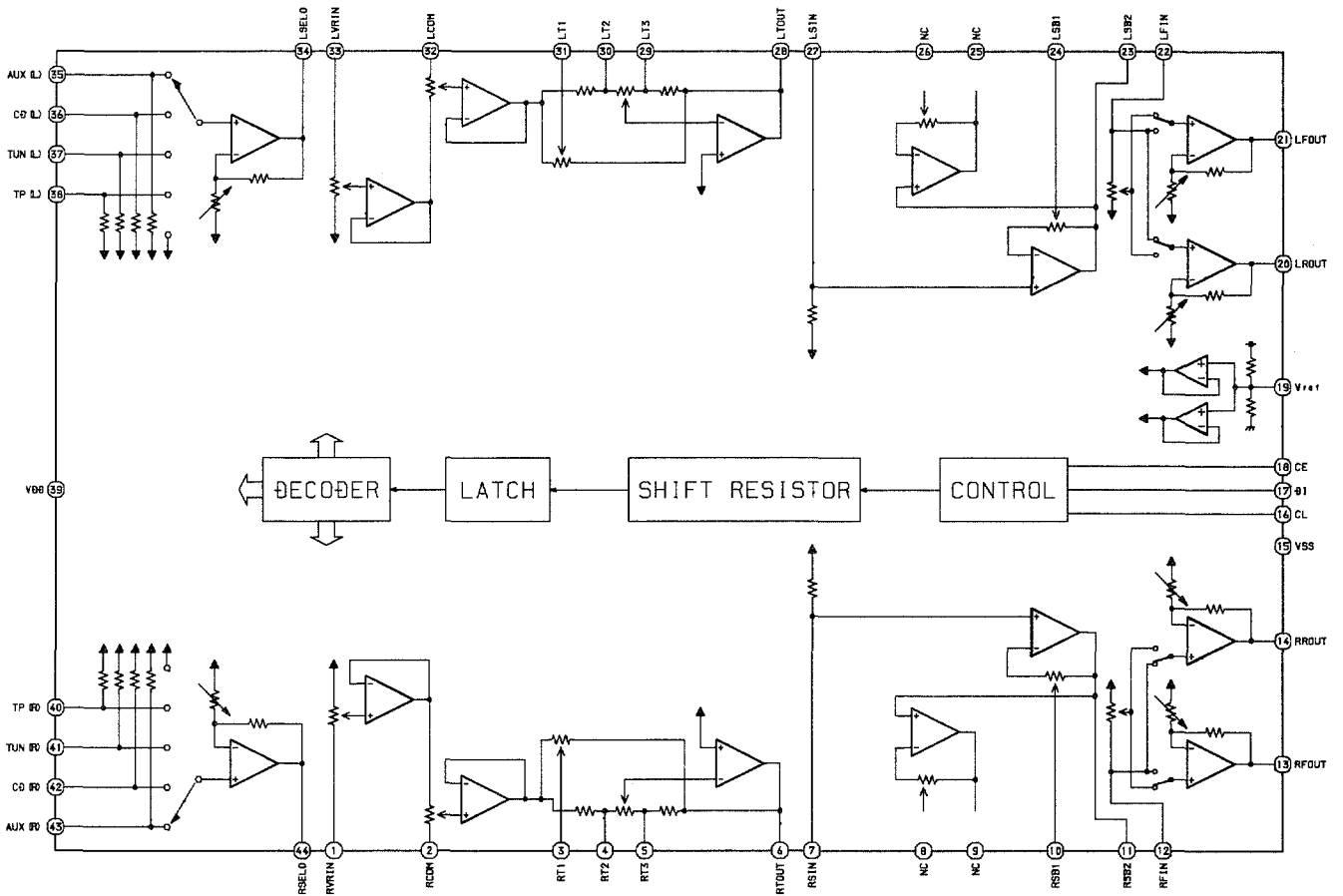
IC, SM5877AN

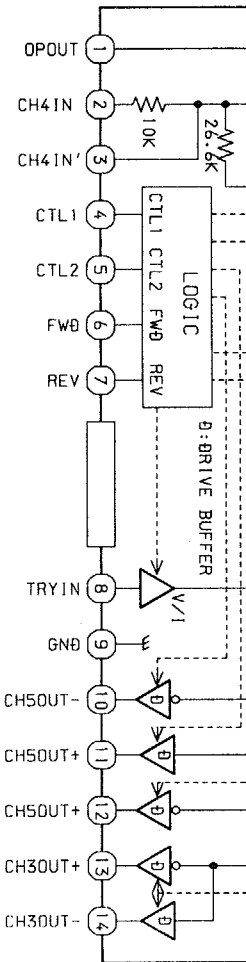


IC, SBX1971-52

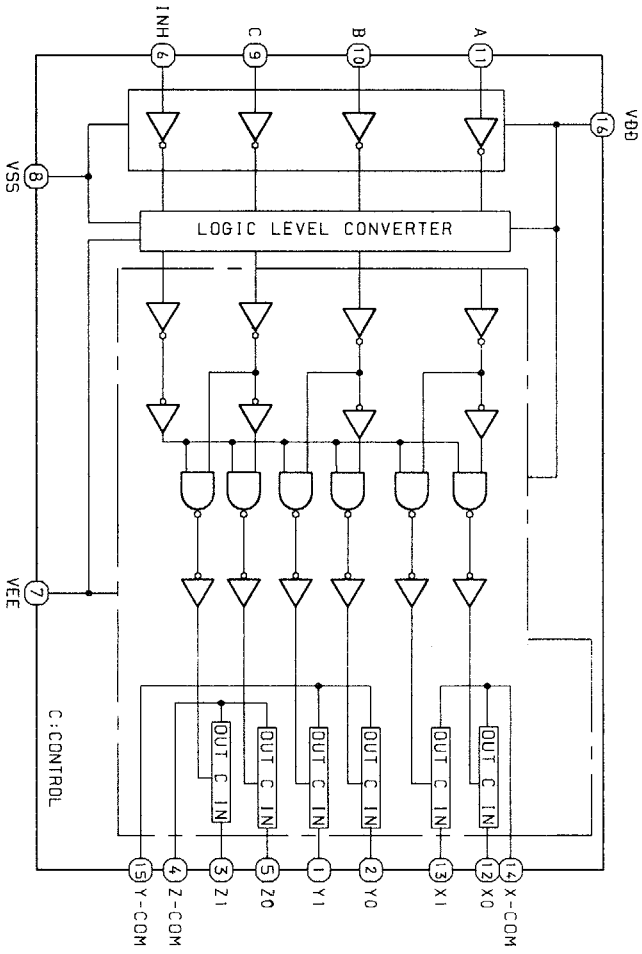


IC, LC75374E

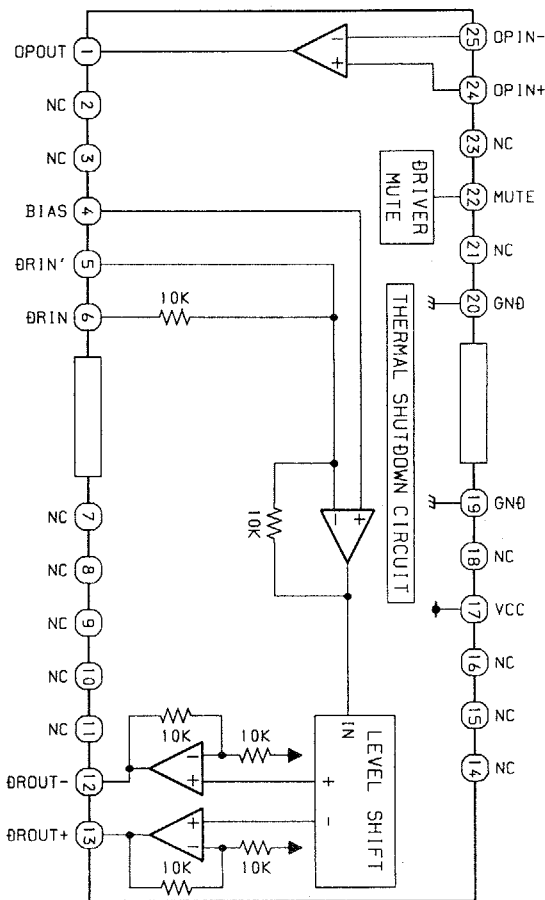




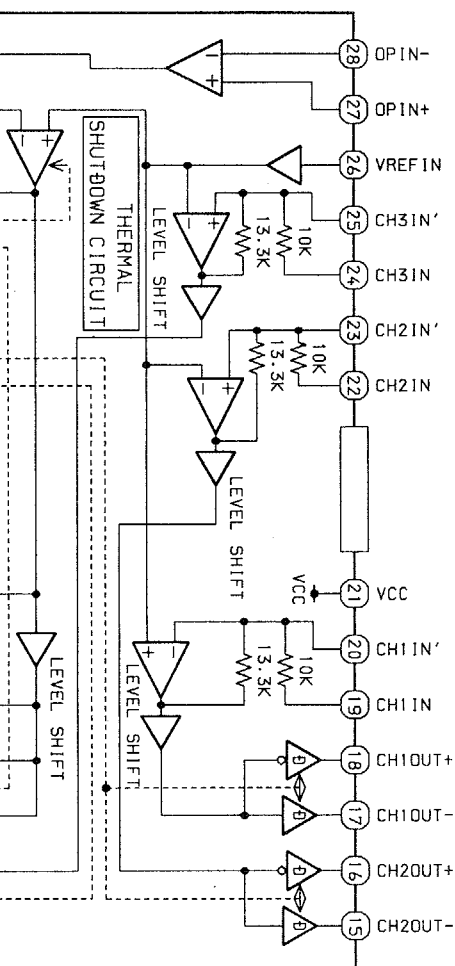
IC, TC4053BF



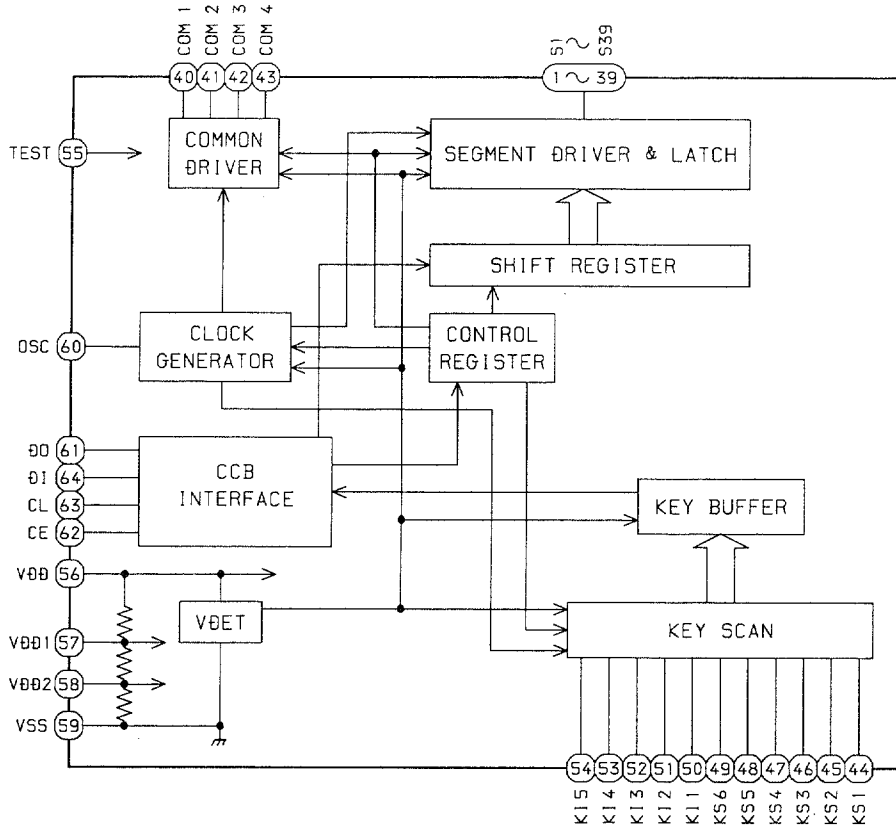
IC₁ BA6195FP



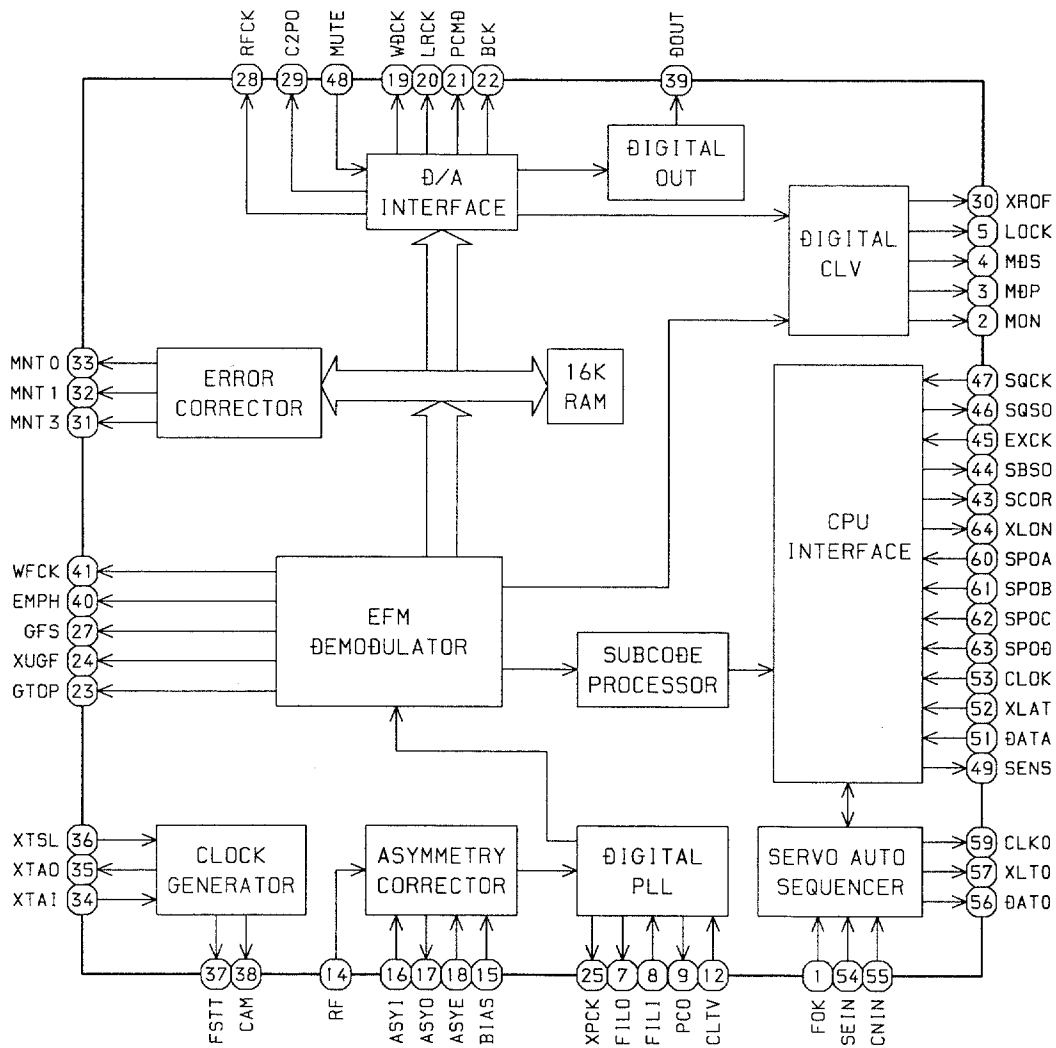
IC₂ BA6995FP



IC, LC75854W



IC, CXD2507AQ



IC DESCRIPTION

IC, CXA1782BQ

Pin No.	Pin Name	I/O	Description
1	FEO	O	Focus error amplifier output pin. This pin is connected to the FZC comparator input internally.
2	FEI	I	Focus error input pin.
3	FDFCT	I	Capacitor connection pin for time constant used when there is defect.
4	FGD	I	This pin is connected to GND via capacitor when high frequency gain of the focus servo is attenuated.
5	FLB	I	This is a pin where the time constant is externally connected to raise the low frequency gain of the focus servo.
6	FEO	O	Focus drive output.
7	FEM	I	Focus amplifier inverted input pin.
8	SRCH	I	This is a pin where the time constant is externally connected to generate the focus search waveform.
9	TGU	I	This is a pin where the selection time constant is externally connected to set the tracking servo the high frequency gain.
10	TG2	I	This is a pin where the selection time constant is externally connected to set the tracking high frequency gain.
11	FSET	I	Pin for setting peak of the phase compensator of the focus tracking.
12	TAM	I	Tracking amplifier inverted input pin.
13	TAO	O	Tracking drive output.
14	SLP	I	Sled amplifier non-inverted input pin.
15	SLM	I	Sled amplifier inverted input pin.
16	SLO	O	Sled drive output.
17	ISET	I	The current which determines height of the focus search, track jump and sled kick is input.
18	VCC	-	+5V power supply pin.
19	CLK	I	Serial data transfer clock input from CPU.
20	XLT	I	Latch input from CPU.
21	DATA	I	Serial data input from CPU.
22	XRST	I	Reset input pin. Reset at L.
23	COUT	O	Signal output to count the number of tracks.
24	SENS	O	FZC, DFCT, TZC, Gain or BAL is output depending on the command from CPU.
25	FOK	O	Output pin of the focus OK comparator.
26	CC2	O	Input pin where the DEFECT bottom hold output is capacitance coupled.
27	CC1	I	DEFECT bottom hold output pin.
28	CB	I	This is a pin where the DEFECT bottom hold capacitor is connected.
29	CP	I	This is a pin where the MIRR hold capacitor is connected and MIRR comparator non-inverted signal is input.
30	RFI	I	Input pin where the RF summing amplifier output is capacitance coupled.
31	RFO	O	RF summing amplifier output pin. (Eye pattern check point)
32	RFM	I	RF summing amplifier inverted input pin. Gain of RF amplifier is determined by the resistor connected between RFO and this pin.

Pin No.	Pin Name	I/O	Description
33	LD	O	APC amplifier output pin.
34	PD	I	APC amplifier input pin
35 ~ 36	PHD1 ~ 2	I	RFI-V amplifier inverted pins. These pins are connected to the A+C and B+D pins of the optical pickup.
37	FB	I	Bias adjustment pin of the focus error amplifier.
38 ~ 39	F ~ E	I	F and E I-V amplifier non-inverted input pins. These pins are connected to the F and E of the optical pickup.
40	EI	-	Gain adjustment pin of the I-V amplifier E.
41	VEE	-	GND connection pin.
42	TEO	O	Tracking error amplifier output pin. E-F signal is output.
43	LPFI	I	BAL adjustment comparator input pin. (Not used)
44	TEI	I	Tracking error input pin.
45	ATSC	I	Window comparator input pin for detecting ATSC.
46	TZC	I	Tracking zero-cross comparator input pin.
47	TDFCT	I	Capacitor connection pin for the time constant used when there is defect.
48	VC	O	DC voltage output pin of VREF. (VDD/2)

Pin No.	Pin Name	I/O	Description
1	FOK	I	Focus OK input pin. Used for SENS output and servo auto sequencer.
2	MON	O	Spindle motor ON/OFF control output. (Not used)
3	MDP	O	Spindle motor servo control output.
4	MDS	O	Spindle motor servo control output. (Not used)
5	LOCK	O	GFS is sampled at 460Hz. "H" output when GFS is "H". "L" output when "L" is continued eight times. (Not used)
6	TEST	I	Test input pin. (Connected to GND)
7	FILO	O	Filter output for master PLL (slave = digital PLL).
8	FILI	I	Filter input for master PLL.
9	PCO	O	Charge pump output for master PLL.
10	VSS	–	GND.
11	AVSS	–	Analog GND.
12	CLTV	I	VCO control voltage input for master PLL.
13	AVDD	–	Analog power supply (+5V).
14	RF	I	EFM signal input.
15	BIAS	I	Constant current input to asymmetry circuit.
16	ASYI	I	Voltage input for asymmetry compare.
17	ASYO	O	EFM full-swing output. ("L" = VSS, "H" = VDD)
18	ASYE	I	"L" : asymmetry circuit OFF, "H" : asymmetry circuit ON. (Connected to VDD)
19	WDCK	O	D/A interface. Word clock $f = 2 F_s$. (Not used)
20	LRCK	O	D/A interface. LR clock $f = F_s$.
21	PCMD	O	D/A interface. Serial data (2's complement, MSB first).
22	BCK	O	D/A interface. Bit clock.
23	GTOP	O	GTOP output. (Not used)
24	XYGF	O	XUGF output. (Not used)
25	XPCK	O	XPLCK output. (Connected to VDD)
26	VDD	–	Power supply (+5V). (Not used)
27	GFS	O	GFS output.
28	RFCK	O	RFCK output. (Not used)
29	C2PO	O	C2PO output. (Not used)
30	XROF	O	XRAOF output. (Not used)
31	MNT3	O	MNT3 output. (Not used)
32	MNT1	O	MNT1 output. (Not used)
33	MNT0	O	MNT0 output. (Not used)
34	XTAI	I	Input to the 16.9344MHz X'tal oscillator, or 33.8688MHz signal is inputted to this pin.
35	XTAO	O	16.9344 MHz X'tal oscillator output. (Not used)
36	XTSL	I	Input signal for X'tal selection. "L" when X'tal is 16.9344MHz. "H" when X'tal is 33.8688MHz. (Connected to GND)
37	FSTT	O	The signal outputs from pins 34 and 35 are divided-by-2/3 and is output from this pin. (Not used)
38	C4M	O	4.2336MHz output. (Not used)

Pin No.	Pin Name	I/O	Description
39	DOUT	O	Digital-out signal output pin. (Not used)
40	EMPH	O	"H" output when disc for playback has emphasis characteristics. "L" output when it does not have emphasis characteristics.
41	WFCK	O	WFCK output. (Not used)
42	VSS	-	GND.
43	SCOR	O	"H" output when sub-code sync S0 or S1 is detected.
44	SBSO	O	Serial output of sub-P to sub-W. (Not used)
45	EXCK	I	Clock input to read-out SBSO. (Not used)
46	SQSO	O	Serial output of Sub-Q 80 bits.
47	SQCK	I	Clock input to read-out SQSO.
48	MUTE	I	"H" input for MUTE. "L" input to cancel muting.
49	SENS	O	SENS output. It is output to CPU.
50	XRST	I	System reset input. "L" for reset.
51	DATA	I	Serial signal input from CPU.
52	XLAT	I	Latch input from CPU. Latching the serial data at fall-down edge.
53	CLOK	I	Serial data transfer clock output from CPU.
54	SEIN	I	SENS input from SSP.
55	CNIN	I	The counted output of the number of track jumps is input to this pin.
56	DATO	O	Serial data output to SSP.
57	XLTO	O	Serial data latch output to SSP. Latching the serial data at fall-down edge.
58	VDD	-	Power supply (+5V).
59	CLKO	O	Serial data transfer clock output to SSP.
60	SPOA	I	Microprocessor extension interface (input A).
61	SPOB	I	Microprocessor extension interface (input B).
62	SPOC	I	Microprocessor extension interface (input C).
63	SPOD	I	Microprocessor extension interface (input D).
64	XLON	O	Microprocessor extension interface (output).

Note: • PCMD is 2's complement output of MSB first.

- GTOP is to monitor the protecting state of frame sync. ("H": sync protecting window is opened).
- XUGF is frame sync obtained from EFM signal and is the negative pulse. This is the signal before applying sync protection.
- XPLCK is inverted clock of EFM PLL. PLL works so that the fall-down edge agrees with the changing point of EFM signal.
- GFS is the signal that goes "H" when the frame sync and internally inserted protection timing agree.
- The RFCK signal is obtained with the accuracy of X'tal signal. This is the signal of 136 μ repetition cycle.
- C2PO is the signal to indicate the error state of data.
- XRAOF is the signal that appears when 16K RAM exceeds jitter margin of ± 4 F.

Pin No.	Pin Name	I/O	Description
1	RVRIN	I	4dB volume control input. Must be driven at a low impedance.
2	RCOM	–	1dB volume control common pin.
3 ~ 5	RT1 ~ RT3	–	For the connection of capacitors that compensate for bass and treble in the tone control circuits. A high-frequency compensation capacitors must be connected between T1 and T2. A low-frequency compensation capacitors must be connected between T2 and T3.
6	RTOUT	O	Tone control output.
7	RSIN	I	Super bass input. Must be driven at a low impedance.
8	NC	–	Connected to VSS.
9	NC	–	Not used.
10 ~ 11	RSB1 ~ RSB2	–	For the connection of RCH super bass compensation capacitors.
12	RFIN	I	Fader input. Must be driven at a low impedance.
13	RFOUT	O	Fader outputs. The front and rear sides can be attenuated independently.
14	RROUT		
15	VSS	–	Ground.
16	CL	I	Serial data and clock inputs for control.
17	DI		
18	CE	–	Chip enable. Data is written in the internal latch when the chip enable signal goes "L" from "H", and each analog switch is activated. Data transfer is enabled at "H".
19	VREF	–	Generates a 1/2VDD power source. A capacitor must be connected between VREF and VSS as a troubleshooting against power ripples.
20	LROUT	O	Fader outputs. The front and rear sides can be attenuated independently.
21	LFOUT		
22	LFIN	I	Fader input. Must be driven at a low impedance.
23 ~ 24	LSB2 ~ LSB1	–	For the connection of LCH super bass compensation capacitors.
25	NC	–	Not used.
26	NC	–	Connected to VSS.
27	LSIN	I	Super bass input. Must be driven at a low impedance.
28	LTOUT	O	Tone control output.
29 ~ 31	LT3 ~ LT1	–	For the connection of capacitors that compensate for bass and treble in the tone control circuit. A high-frequency compensation capacitors must be connected between T1 and T2. A low-frequency compensation capacitors must be connected between T2 and T3.
32	LCOM	–	1dB volume control common pin.
33	LVRIN	I	4dB volume control input. Must be driven at a low impedance.
34	LSELO	O	Input selector output pin.
35	AUX(L)	I	Signal input pins.
36	CD(L)		
37	TUN(L)		
38	TP(L)		
39	VDD	–	Power supply.

Pin No.	Pin Name	I/O	Description
40	TP(R)	I	Signal input pins.
41	TUN(R)		
42	CD(R)		
43	AUX(R)		
44	RSELO	O	Input selector output pin.

IC, LC75854W

Pin No.	Pin Name	I/O	Description
1 ~ 33	S1 ~ S33	O	LCD segment outputs.
34 ~ 39	S34 ~ S39	O	LCD segment outputs. (Not used)
40 ~ 43	COM1 ~ COM4	O	LCD common driver outputs.
44	KS1	O	Key scan output. (Not used)
45 ~ 49	KS2 ~ KS6	O	Key scan outputs.
50 ~ 54	KI1 ~ KI5	I	Key scan inputs. These pins incorporate pull-down resistors.
55	TEST	-	Test pin. (Connected to GND)
56	VDD	-	Power supply.
57	VDD1	I	2/3 bias voltage is applied to the LCD drive externally. (Must be connected to VDD2 when a 1/2 bias drive scheme is used)
58	VDD2	I	1/3 bias voltage is applied to the LCD drive externally. (Must be connected to VDD1 when a 1/2 bias drive scheme is used)
59	VSS	-	GND.
60	OSC	I	Resistor and capacitor are attached externally form an oscillator circuit.
61	DO	O	Serial data interface pin; output data.
62	CE	O	Serial data interface pin; chip enable.
63	CL	O	Serial data interface pin; synchronization.
64	DI	I	Serial data interface pin; data transferred.

Pin No.	Pin Name	I/O	Description
1	FM/AM S-M	I	Input RDS AF IN signal and FM S meter signal.
2	LEVER IND	I	Input level indicator signal. (Not used)
3	E-VOL CONT	I	Detect mic input and operate auto volume. (Not used)
4	CD CONNECT	I	Connectivity check to CD changer.
5	CD DISP SEL	O	Communication timing signal output to CDC (TX = "H", RX = "L").
6	CD CLO	O	Output synchronous clock signal for sending.
7	CD DI	I	Input data signal for receiving.
8	CD DO	O	Output data signal for sending.
9	CD CLI	I	Input synchronous clock signal for receiving.
10	LCD CE	O	LC75854W : Output CE signal.
11	CLK SEL	O	CLock select for CDS and KEY/LCD ("H" : CDS, "L" : KEY/LCD).
12	LCD DI	I/O	LC75854W : Input data signal.
13	LCD DO	O	LC75854W : Output data signal.
14	LCD CLO	O	LC75854W : Output synchronous clock signal.
15	CD ACC CONT	O	Output CHANGER ACC signal.
16	POWER MUTE	O	Output POWER MUTE signal.
17	ST-BY MUTE	O	Output STANDBY MUTE signal.
18	POWER CONT	O	Output POWER CONTROL signal.
19	CONT1	O	LCD DRV contrast controller 1.
20	CONT2	O	LCD DRV contrast controller 2.
21	GND	-	GND.
22	VDD	-	Power supply.
23	MUTE	O	Output audio mute.
24	BAND CONT	O	Output AM/FM power supply switching (AM = "H", FM = "L").
25	LOC/DX	O	Output LOC/DX switching when seeking radio broadcast.
26	RDS MODE	O	Output "H" when RDS AF mode (Open when not used).
27	IF REQ	O	Output request for IF count signal.
28	AM IF	I	Input AM IF count signal.
29	FM IF	I	Input FM IF count signal.
30	VDD PLL	-	Power supply for PLL.
31	FM OSC	I	Input FM broadcast.
32	AM OSC	I	Input AM broadcast.
33	GND PLL	-	Connected to GND for PLL.
34	EO0	O	Output error from charge pump.
35	EO1	O	Output error from charge pump. (Not used)
36	GND	-	GND.
37	ST IND	I	Input stereo signal. Enable when receiving FM broadcast (ST = "L", MONO = "H").
38	SD IN	I	Input FM/AM broadcast detection signal when seeking.
39	AUX IN	I	Input AUX jack existence detection.
40	CDS CS	O	CDS : Output CS signal.
41	CDS RESET	O	CDS : Output reset signal.

Pin No.	Pin Name	I/O	Description
42	CDS SLEEP	O	CDS : Output sleep signal.
43	CDS STOP	I	CDS : Input stop signal.
44	NC	I	CDS: Not used.
45	TEST	I	CDS : Test point.
46	NC	I	CDS : Not used.
47	NC	I	CDS : Not used.
48	LED	O	Output security LED ON/OFF ("H" = 120 ~ 130ms, 1 cycle = 3sec).
49 ~ 51	MI-1 ~ MI-3	I	Input diode matrix for initial setting.
52 ~ 53	MO-1 ~ MO-2	O	Output diode matrix for initial setting. (Not used)
54 ~ 55	MO-3 ~ MO-4	O	Output diode matrix for initial setting. (Not used)
56	NC	O	CDS : Not used.
57	NC	O	Not used.
58	NC	O	CDS : Not used.
59	BEEP	O	Output beep (3kHz, 50ms).
60	RMT IN	I	Input remote controller (Pull up when not used).
61	E-VOL CE	O	Output CE to electric volume.
62	E-VOL DO	O	Output data to electric volume.
63	E-VOL CLO	O	Output clock to electric volume.
64	DRV CONT	O	Output "H" when DRV status is 1/2.
65	DFP IN	I	Detect DFP (front panel) existence.
66	RDS DI	I	Input RDS data (Pull down when not used).
67	FLAP IN	I	Detect OPEN/CLOSE of FLAP DFP.
68	RDS CLI	I	Input RDS clock (Pull down when not used).
69	EJECT IN		CDS : Input eject detection when FLAP IN (Pin 67) is "L".
70	ACC IN	I	Input ACC (power supply for accessory) ON/OFF.
71	KEY REQ	I	Input key request for LCD driver. (Not used)
72	CDS SREQ	I	Input S-REQ signal.
73	CDS IN	I	Input disc inserted status detection.
74	REG CPU	-	Regulator for CPU power supply.
75	GND	-	GND.
76	X-OUT	O	System clock oscillator input/output.
77	X-IN	I	
78	REG OSC	-	Regulator for oscillation circuit.
79	VDD	-	Power supply.
80	RESET	I	Input system reset.

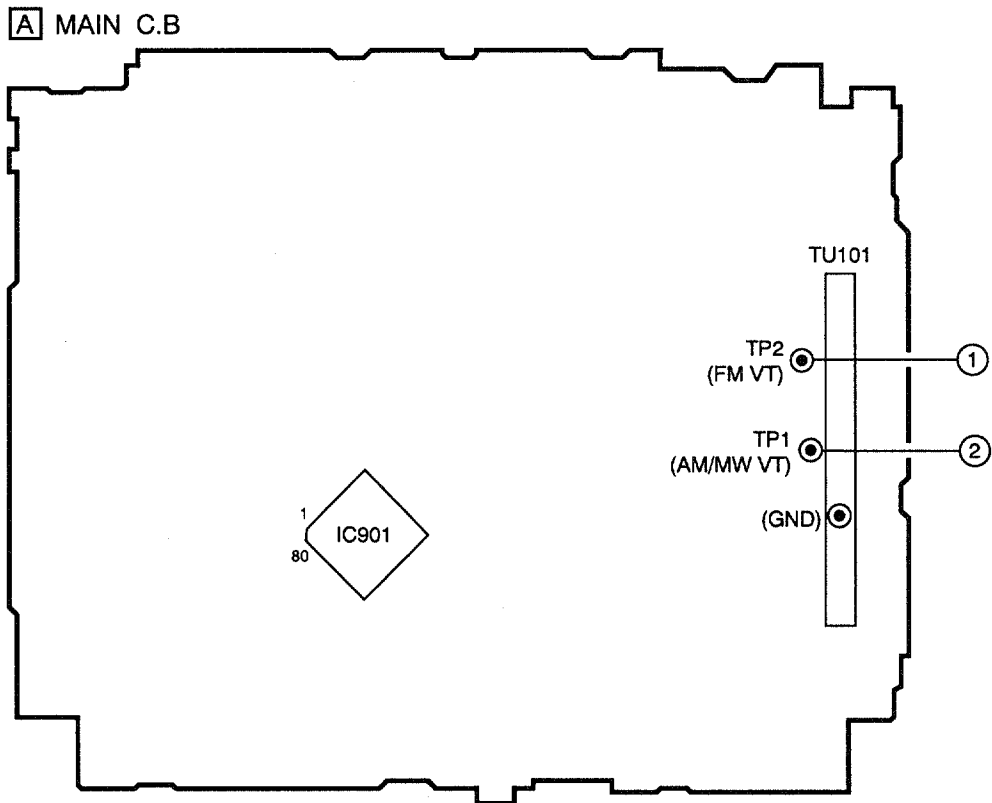
IC, μ PD78014FGC-622-AB8

NOTE: This IC description is only the *PRELIMINARY* issue.

Pin No.	Pin Name	I/O	Description
1	P30/TO0 (FOBIAS)	O	Port 3 / Output timer 0.
2	P31/TO1 (NC)	O	Port 3 / Output timer 1. (Not used)
3	P32/TO2 (FGG)	O	Port 3 / Output timer 2.
4	P33/TI1 (NC)	I	Port 3 / Input external count clock for timer 1. (Not used)
5	P34/TI2 (COUT)	I	Port 3 / Input external count clock for timer 2.
6	P35/PCL (SRQ)	O	Port 3 / Output clock for main system clock or sub-system clock timing.
7	P36/BUZ (SLEEP)	O	Port 3 / Output buzzer clock.
8	P37 (NC)	-	Port 3. (Not used)
9	VSS	-	Connected to ground.
10 ~ 16	P40 ~ P46/ AD0 ~ AD6 (NC)	I/O	Port 4 / Lower address/data bus when extending memory to external. (Not used)
17	P47/AD7 (CLK DSP)	I/O	Port 4 / Lower address/data bus when extending memory to external.
18	P50/A8 (LAT DSP)	O	Port 5 / Upper address bus when extending memory to external.
19	P51/A9 (DATA DSP)	O	Port 5 / Upper address bus when extending memory to external.
20	P52/A10 (CD RST)	O	Port 5 / Upper address bus when extending memory to external.
21	P53/A11 (DMUTE)	O	Port 5 / Upper address bus when extending memory to external.
22 ~ 23	P54 ~ P55/ A12 ~ A13 (NC)	O	Port 5 / Upper address bus when extending memory to external. (Not used)
24	VSS	-	Connected to ground.
25	P56/A14 (FOK)	O	Port 5 / Upper address bus when extending memory to external.
26	P57/A15 (NC)	O	Port 5 / Upper address bus when extending memory to external. (Not used)
27	P60 (NC)	-	Port 6. (Not used)
28	P61 (TR BAL)	-	Port 6.
29	P62 (APC)	-	Port 6.
30	P63 (NC)	-	Port 6. (Not used)
31	P64/ \overline{RD} (NC)	O	Port 6 / Output strobe signal for external memory read operation. (Not used)
32	P65/ \overline{WR} (GFS)	O	Port 6 / Output strobe signal for external memory write operation.
33	P66/ \overline{WAIT} (NC)	I	Port 6 / Input WAIT when accessing to external memory. (Not used)
34	P67/ASTB (CDON)	O	Port 6 / Output strobe latched address information output to port 4 in external for accessing to external memory.
35	\overline{RESET}	I	Input system reset.
36	P00/INTP0/TI0 (NC)	I	Port 0 / Input external interrupt 0 / Input external count clock for timer 0. (Not used)
37	P01/INTP1	I	Port 0 / Input external interrupt 1.
38	P02/INTP2	I	Port 0 / Input external interrupt 2.
39	P03/INTP3 (CS)	I	Port 0 / Input external interrupt 3 for falling down edge detection.
40	VDD	-	Power supply.
41	X2	-	Connected to crystal oscillator for main system clock.
42	X1	I	
43	MODE	I	Set ROMless mode. Set single chip mode or memory extend mode when inputting low level. Set ROMless mode when inputting high mode. (Not used)

Pin No.	Pin Name	I/O	Description
44	XT2	–	Connected to crystal oscillator for sub-system clock. (Connected to AVSS)
45	XT1 (NC)	I	Connected to crystal oscillator for sub-system clock. (Not used)
46	AVSS	–	Ground for A/D converter.
47	P10/ANI0 (LIMSW)	I	Port 1 / Input analog for A/D converter.
48	P11/ANI1 (8cm)	I	Port 1 / Input analog for A/D converter.
49	P12/ANI2 (CHUCK SW)	I	Port 1 / Input analog for A/D converter.
50	P13/ANI3 (LOAD SW)	I	Port 1 / Input analog for A/D converter.
51	P14/ANI4 (8/12 SW)	I	Port 1 / Input analog for A/D converter.
52	P15/ANI5 (CTRL)	I	Port 1 / Input analog for A/D converter.
53	P16/ANI6 (FGO)	I	Port 1 / Input analog for A/D converter.
54	P17/ANI7 (FGI)	I	Port 1 / Input analog for A/D converter.
55	AVDD	–	Analog power supply for A/D converter.
56	AVREF	I	Input reference voltage for A/D converter.
57	P20/SI1	I	Port 2 / Input serial data for serial interface.
58	P21/SO1 (NC)	O	Port 2 / Output serial data for serial interface. (Not used)
59	P22/SCK1	I/O	Port 2 / Input/output serial clock for serial interface.
60	P23/STB (REV)	O	Port 2 / Output strobe for serial interface automatic sending/receiving.
61	P24/BUSY (FWD)	I	Port 2 / Input BUSY for serial interface automatic sending/receiving.
62	P25/SI0/SB0 (DMSCD)	I/O	Port2 / Input serial data for serial interface / Input/output serial data for serial interface.
63	P26/SO0/SB1 (DCDMS)	I/O	Port 2 / Output serial data for serial interface / Input/output serial data for serial interface.
64	P27/SCKO (SCK)	I/O	Port 2 / Input/output serial clock for serial interface.

ADJUSTMENT <TUNER>



< TUNER SECTION >

1. FM VT Check

Settings : • Test point : TP2 (FM VT)
 Method : Set to FM 87.5MHz (108.0MHz) and check that the test point is more than 1.1V (87.5MHz) and less than 7.6V (108.0MHz).

2. AM VT Check

Settings : • Test point : TP1 (AM/MW VT)
 Method : Set to AM 1710kHz (530kHz) and check that the test point is less than 4.4V (1710kHz) and more than 2.3V (530kHz).

PRACTICAL SERVICE FIGURE

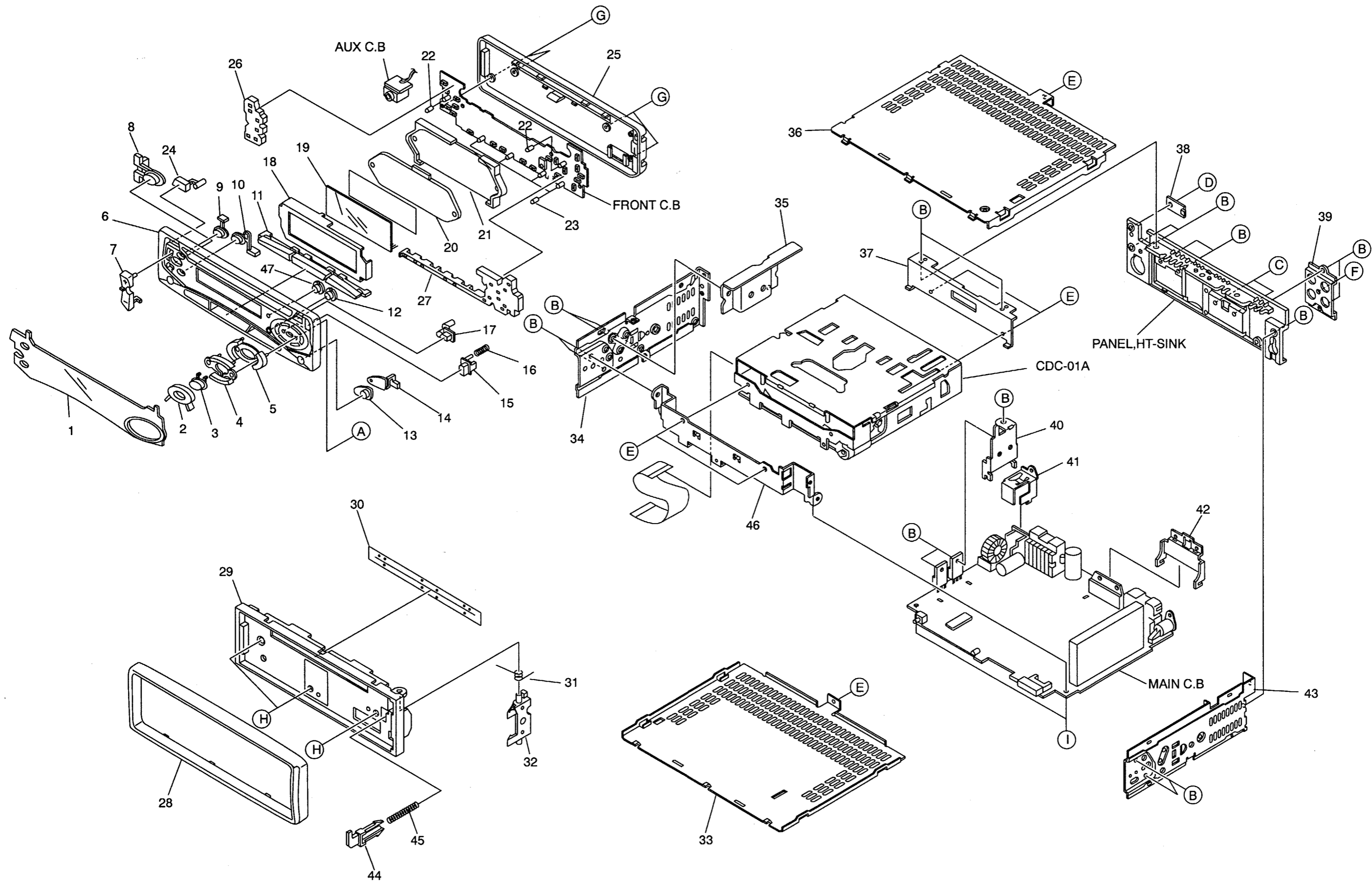
<TUNER SECTION>

<FM SECTION>

IHF Sensitivity : Less than 14dB μ
 [at 87.5 / 98.0 / 108.0MHz]
 (THD 3%)
 Signal to noise ratio : (MONO) More than 60dB
 (Input 60dB μ) (STEREO) More than 50dB
 [at 98.0MHz]
 Distortion : (MONO) Less than 2.0%
 (Input 60dB μ) (STEREO) Less than 3.0%
 [at 98.0MHz]
 Auto stop level : 22dB μ \pm 6dB
 [at 98.0MHz]
 Stereo separation : More than 25dB
 [at 98.0MHz]
 Intermediate frequency : 10.7MHz

<AM SECTION>

Sensitivity : Less than 38dB μ
 (S/N 20 dB) [at 600 / 1000 / 1400kHz]
 Signal to noise ratio : More than 45dB
 (Input 74dB μ) [at 1000kHz]
 Distortion : Less than 2.0%
 (Input 74dB μ) [at 1000kHz]
 Auto stop level : 35dB μ \pm 8dB
 [at 1000kHz]
 Intermediate frequency : 450kHz



MECHANICAL PARTS LIST 1 / 1

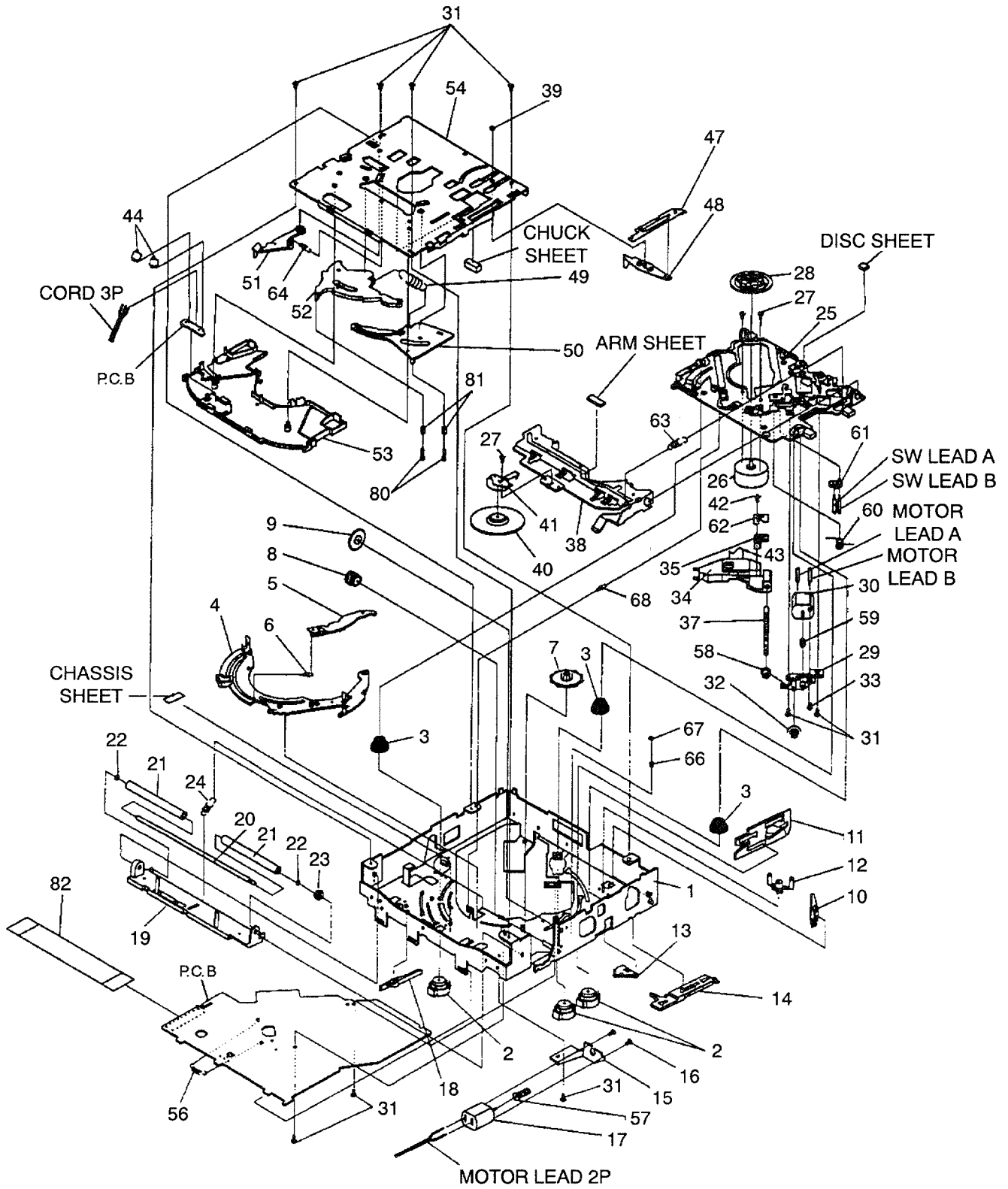
If can't understand for Description please kindly refer to "REFERENCE NAME LIST".

REF. NO.	PART NO.	KANRI NO.	DESCRIPTION	REF. NO.	PART NO.	KANRI NO.	DESCRIPTION
1	8Z-KCF-002-010		WINDOW,LCD X1460M<1460MYL>	29	8Z-KC2-011-010		CABI,BASE-C2
1	8Z-KCF-001-010		WINDOW,LCD X146M<146MYU>	30	8Z-KC1-249-010		COVER, DUST F-C
2	8Z-KC1-017-010		RING,OVAL-C	31	8Z-KC2-222-010		SPR-T,DETACH LOCK-C2
3	8Z-KC1-012-010		BTN,DRV-C	32	8Z-KC2-204-010		LEVER,DFP LOCK-C2
4	8Z-KC5-006-010		BTN,TETRA BALD-C	33	8Z-KC1-212-010		COVER, BOTTOM-C
5	8Z-KC1-011-010		BTN,U/D-C	34	8Z-KC1-213-010		CHAS,SIDE L-C
6	8Z-KCF-011-010		CABI,FRONT-C15	35	8Z-KC1-255-010		HLDR,TR-CA
7	8Z-KC1-007-010		BTN,+/- -C	36	8Z-KC1-211-010		COVER, TOP-C
8	8Z-KC1-008-010		BTN,SEL-C	37	8Z-KC1-216-010		HLDR,DECK CDC-01
9	8Z-KC1-010-010		BTN,H-BASS-C	38	8Z-KC7-201-010		COVER, ISO BLIND-C
10	8Z-KC2-007-010		BTN,CH-C	39	8Z-KC1-220-010		HLDR,JACK-C
11	8Z-KC1-006-010		BTN,P.SET-C	40	8Z-KC1-219-010		HLDR,TR-C
12	8Z-KC2-006-010		BTN,CD-C2	41	8Z-KC1-218-010		HLDR,CD-C
13	8Z-KC5-007-010		BTN,M.INF-C<146MYU>	42	8Z-KC1-215-010		HLDR,P-IC-C
13	8Z-KC5-019-010		BTN,M.INF-C<1460MYL>	43	8Z-KC1-214-010		CHAS,SIDE R-C
14	8Z-KC5-020-010		HLDR,M.INF-C	44	8Z-KC2-203-010		LEVER,DFP HOOK-C2
15	8Z-KC2-008-010		BTN,DETACH-C2	45	8Z-KC2-221-010		SPR-C,DETACH HOOK-C2
16	8Z-KC2-223-010		SPR-C DETACH BTN-C2	46	8Z-KC2-201-010		CHAS,FRONT-C2
17	8Z-KC2-005-010		BTN,EJ-C2	47	8Z-KC1-209-010		LENS,IR-C
18	8Z-KC2-202-010		HLDR,LCD-C2	A	8Z-KC1-254-010		S-SCREW,PT 2*5 BH+ BLK
19	8Z-KC2-606-010		LCD,ZKC-2	B	87-251-073-410		SCREW,U+2.6-6
20	8Z-KC2-212-010		LENS,LCD-C2	C	87-251-096-410		U+3-10
21	8Z-KC2-211-010		CASE,LCD LENS-C2	D	87-251-075-410		U+2.6-10
22	8Z-KT1-236-010		CAP,LAMP BLU	E	8Z-KC1-251-010		S-SCREW,TH2.6-4.0-0.8
23	8Z-KT1-237-010		CAP,LAMP GRN	F	8Z-B10-259-010		UT2+3-10
24	8Z-KC2-004-010		BTN,PWR-C2	G	8Z-KC2-220-010		S-SCREW,PT22-10 BH+BLK
25	8Z-KC2-002-010		CABI,REAR-C2	H	87-B10-216-010		U+2.6-4 ZINK BLK
26	8Z-KC2-213-010		LENS,L-C2	I	8Z-KC1-252-010		S-SCREW,2.6-6 BH+WTE
27	8Z-KC2-214-010		LENS,R-C2				
28	8Z-KC2-012-010		CABI,TRIM-C2				

COLOR NAME TABLE

Basic color symbol	Color	Basic color symbol	Color	Basic color symbol	Color
B	Black	C	Cream	D	Orange
G	Green	H	Gray	L	Blue
LT	Transparent Blue	N	Gold	P	Pink
R	Red	S	Silver	ST	Titan Silver
T	Brown	V	Violet	W	White
WT	Transparent White	Y	Yellow	YT	Transparent Yellow
LM	Metallic Blue	LL	Light Blue	GT	Transparent Green
LD	Dark Blue	DT	Transparent Orange		

CD MECHANISM EXPLODED VIEW 1 / 1



CD MECHANISM PARTS LIST 1 / 1

If can't understand for Description please kindly refer to "REFERENCE NAME LIST".

REF. NO.	PART NO.	KANRI NO.	DESCRIPTION	REF. NO.	PART NO.	KANRI NO.	DESCRIPTION
1	SX-100-510-040		CHASSIS ASSY	37	S1-100-530-020		SCREW,FEED
2	S1-100-560-010		DAMPER ASSY	38	S1-100-510-030		ARM CHUCK
3	S1-100-540-030		DAMPER SP	39	S2-171-200-501		E RING
4	S1-100-520-020		GEAR CAM	40	S1-100-520-040		CLAMPER
5	S1-100-520-030		GEAR SUB CAM	41	S1-100-510-070		PLATE CLAMPER
6	S1-100-540-090		SP GEAR SUB	42	87-263-533-310		SCREW,M1.7-6.0
7	S1-100-520-140		GEAR H CAM	43	S1-100-570-390		PICK FLEX(FPC)
8	S1-100-520-120		GEAR L H	44	S1-100-570-080		SW,LOAD
9	S1-100-520-130		GEAR LOAD	47	S1-100-510-090		LEVER RELEASE
10	S1-100-510-080		ARM,R	48	SX-100-510-030		SET START ARM ASSY
11	S1-100-520-170		LEVER,R	49	S1-100-540-040		SP ARM DISC
12	S1-100-520-180		LEVER,LOCK	50	S1-100-520-060		DISC ARM R
13	S1-100-520-270		LEVER,SUB KICK	51	S1-100-520-220		LEVER,SENSOR
14	S1-100-520-160		LEVER,KICK	52	S1-100-520-050		DISC ARM L
15	S1-100-510-060		BRACKET,L M	53	S1-100-520-230		GUIDE TOP
16	87-267-545-310		SCREW,M2.0-2.5	54	S1-100-510-130		COVER TOP
17	S1-100-570-480		MOTOR LOAD FF-030PA	56	S1-100-540-050		SP,LEAD
18	S1-100-520-250		LEVER,SW	57	S1-100-520-200		MOTOR WORM
19	S1-100-520-240		LEVER,UP	58	S1-100-520-090		GEAR,FEED A
20	S1-100-530-060		SHAFT ROLLER	59	S1-100-520-110		GEAR MOTOR FEED
21	S1-100-550-020		ROLLER LOADING	60	S1-100-540-010		SP FEED
22	87-067-798-010		PSW,1.6-5-0.25 CUT	61	S1-100-570-070		SW,LNNER
23	S1-100-520-210		GEAR,ROLLER	62	S1-100-510-110		GUIDE,SPG
24	S1-100-540-100		SP LEVER UP	63	S1-100-540-020		SP ARM CHUCK
25	SX-100-510-020		PICK BASE ASSY	64	S1-100-540-070		SP LEVER SENSOR
26	S1-100-570-020		MOTOR SPINDLE RF-3L0PA	66	S1-100-530-210		ROLLER SUB GEAR
27	87-267-525-310		SCREW,M1.7-2.2	67	87-078-033-010		PSW,1.2-3-0.25 CUT
28	S1-100-520-080		TABLE DISC	68	S1-100-540-080		SP SUB DAMPER
29	S1-100-520-190		CASE,MOTOR	80	S1-100-530-250		PIN ARM DISC
30	S1-100-270-030		MOTOR,MAIN FF-030PK	81	S1-100-530-260		ROLLER ARM DISC
31	S1-100-550-030		SCREW,XP	82	S1-100-573-270		FFC,20P
32	S1-100-520-100		GEAR,FEED B				
33	87-263-033-210		SCREW,M2.0-4.0				
34	87-A90-927-010		PICK,KSS540A				
35	S1-100-520-150		GUIDE				

REFERENCE NAME LIST

ELECTRICAL SECTION

DESCRIPTION	REFERENCE NAME
ANT	ANTENNAS
C-	CHIP
C-CAP	CAP, CHIP
C-CAP TN	CAP, CHIP TANTALUM
C-COIL	COIL, CHIP
C-DI	DIODE, CHIP
C-DIODE	DIODE, CHIP
C-FET	FET, CHIP
C-FOTR	FILTER, CHIP
C-JACK	JACK, CHIP
C-LED	LED, CHIP
C-RES	RES, CHIP
C-SFR	SFR, CHIP
C-SLIDE SW	SLIDE SWITCH, CHIP
C-SW	SWITCH, CHIP
C-TR	TRANSISTOR, CHIP
C-VR	VOLUME, CHIP
C-ZENER	ZENER, CHIP
CAP, CER	CAP, CERA-SOL
CAP, E	CAP, ELECT
CAP, M/F	CAP, FILM
CAP, TC	CAP, CERA-SOL
CAP, TC-U	CAP, CERA-SOL SS
CAP, TN	CAP, TANTALUM
CERA FIL	FILTER, CERAMIC
CF	FILTER, CERAMIC
DL	DELAY LINE
E/CAP	CAP, ELECT
FILT	FILTER
FLTR	FILTER
FUSE RES	RES, FUSE
MOT	MOTOR
P-DIODE	PHOTO DIODE
P-SNSR	PHOTO SENSER
P-TR	PHOTO TRANSISTOR
POLY VARI	VARIABLE CAPACITOR
PPCAP	CAP, PP
PT	POWER TRANSFORMER
PTR, RES	PTR, MELF
RC	REMOTE CONTROLLER
RES NF	RES, NON-FLAMMABLE
RESO	RESONATOR
SHLD	SHIELD
SOL	SOLENOID
SPKR	SPEAKER
SW, LVR	SWITCH, LEVER
SW, RTRY	SWITCH, ROTARY
SW, SL	SWITCH, SLIDE
TC CAP	CAP, CERA-SOL
THMS	THERMISTOR
TR	TRANSISTOR
TRIMER	CAP, TRIMMER
TUN-CAP	VARIABLE CAPACITOR
VIB, CER	RESONATOR, CERAMIC
VIB, XTAL	RESONATOR, CRYSTAL
VR	VOLUME
ZENER	DIODE, ZENER

MECHANICAL SECTION

DESCRIPTION	REFERENCE NAME
ADHESHIVE	SHEET ADHESHIVE
AZ	AZIMUTH
BAR-ANT	BAR-ANTENNA
BAT	BATTERY
BATT	BATTERY
BRG	BEARING
BTN	BUTTON
CAB	CABINET
CASS	CASSETTE
CHAS	CHASSIS
CLR	COLLAR
CONT	CONTROL
CRSR	CURSOR
CU	CUSHION
CUSH	CUSHION
DIR	DIRECTION
DUBB	DUBBING
FL	FRONT LOADING
FLY-WHL	FLYWHEEL
FR	FRONT
FUN	FUNCTION
G-CU	G-CUSHION
HDL	HANDOL
HIMERON	CLOTH
HINGE, BAT	HINGE, BATTERY
HLDR	HOLDER
HT-SINK	HEAT SINK
IB	INSTRUCTION BOOKLET
IDLE	IDLER
IND, L-R	INDICATOR, L-R
KEY, CONT	KEY, CONTROL
KEY, PRGM	KEY, PROGRAM
KNOB, SL	KNOB, SLIDE
LBL	LABEL
LID, BATT	LID, BATTERY
LID, CASS	LID, CASSETTE
LVR	LEVER
P-SP	P-SPRING
PANEL, CONT	PANEL, CONTROL
PANEL, FR	PANEL, FRONT
PRGM	PROGRAM
PULLY, LOAD MO	PULLY, LOAD MOTOR
RBN	RIBBON
S-	SPECIAL
SEG	SEGMENT
SH	SHEET
SHLD-SH	SHIELD-SHEET
SL	SLIDE
SP	SPRING
SP-SCREW	SPECIAL-SCREW
SPACER, BAT	SPACER, BATTERY
SPR	SPRING
SPR-P	P-SPRING
SPR-PC-PUSH	P-SPRING, C-PUSH
T-SP	T-SPRING
TERM	TERMINAL
TRIG	TRIGGER
TUN	TUNING
VOL	VOLUME
W	WASHER
WHL	WHEEL
WORM-WHL	WORM-WHEEL

サービス技術ニュース	
番号	連絡内容
G-	-
G-	-
G-	-

アイワ株式会社
AIWA CO.,LTD.

9420025, 931261

Tokyo Japan