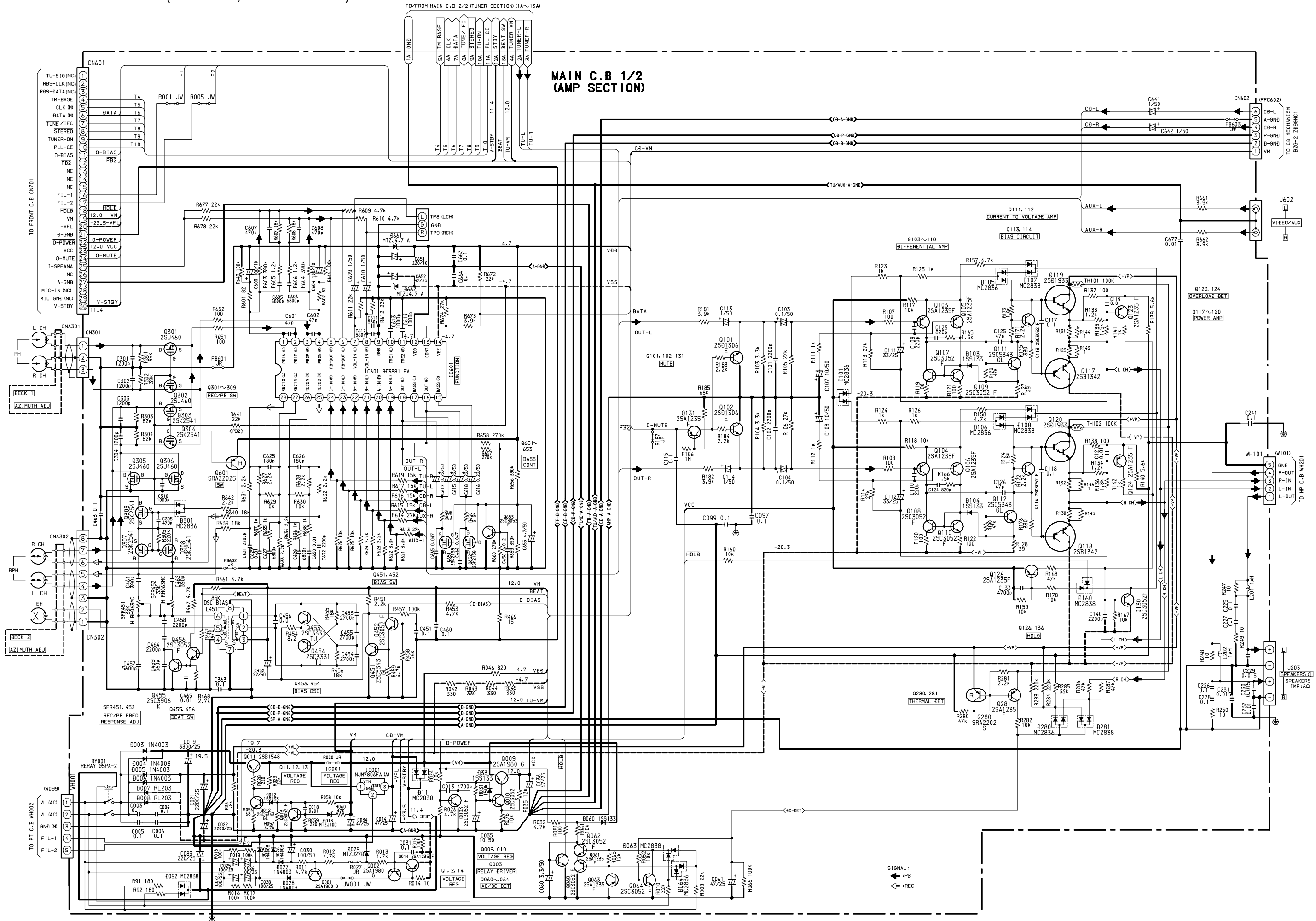
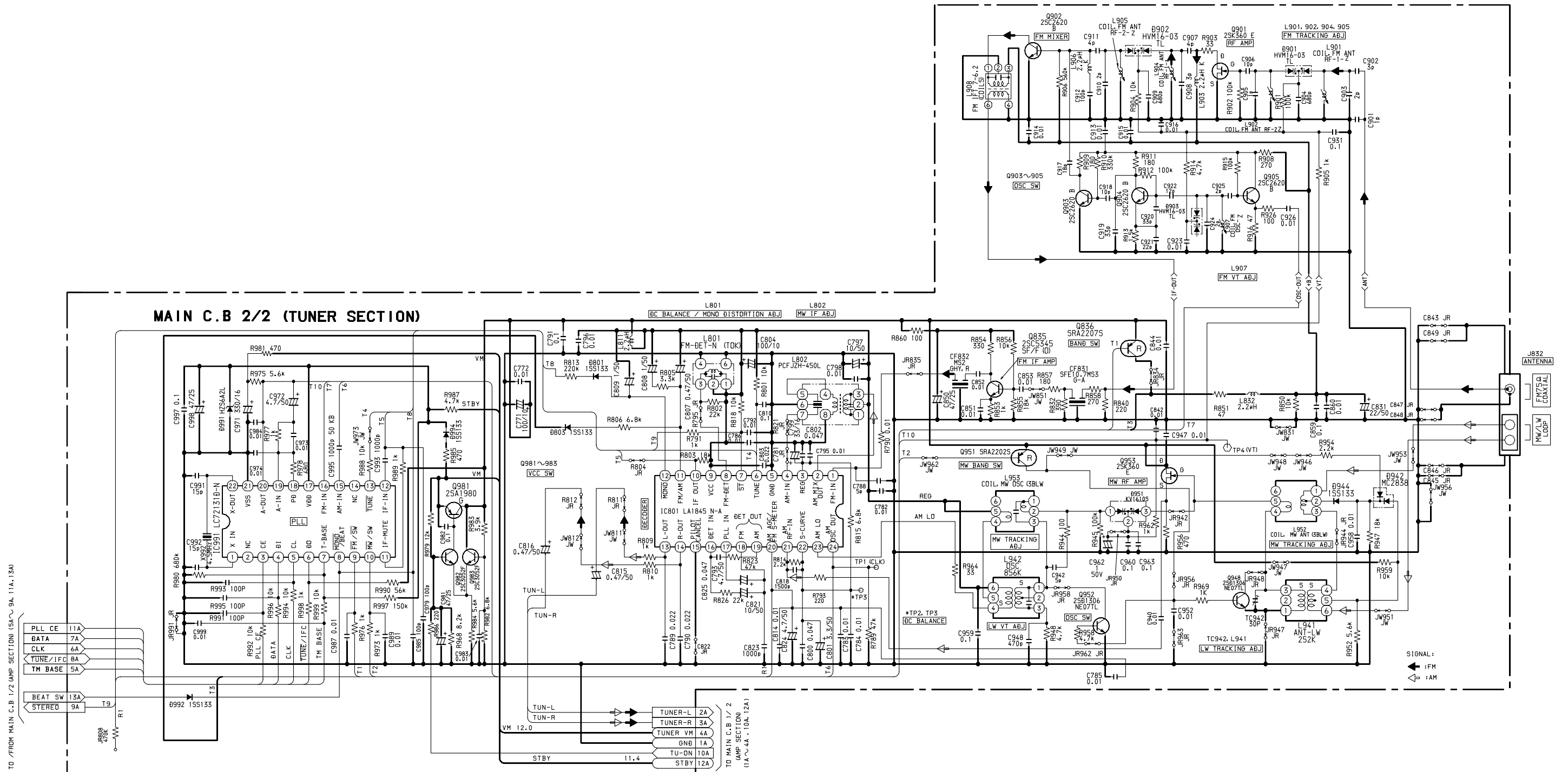


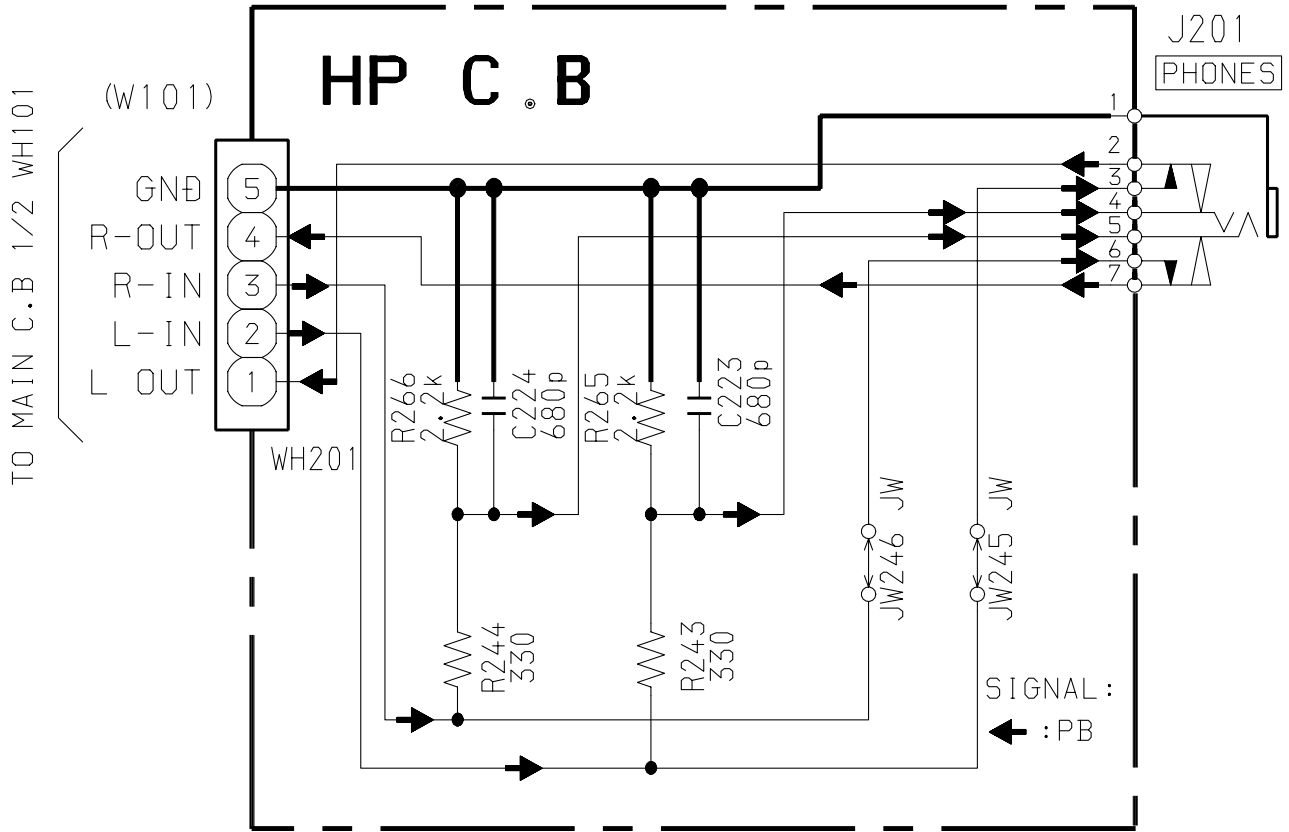
SCHEMATIC DIAGRAM - 1/5 (MAIN -1/2, AMP SECTION)



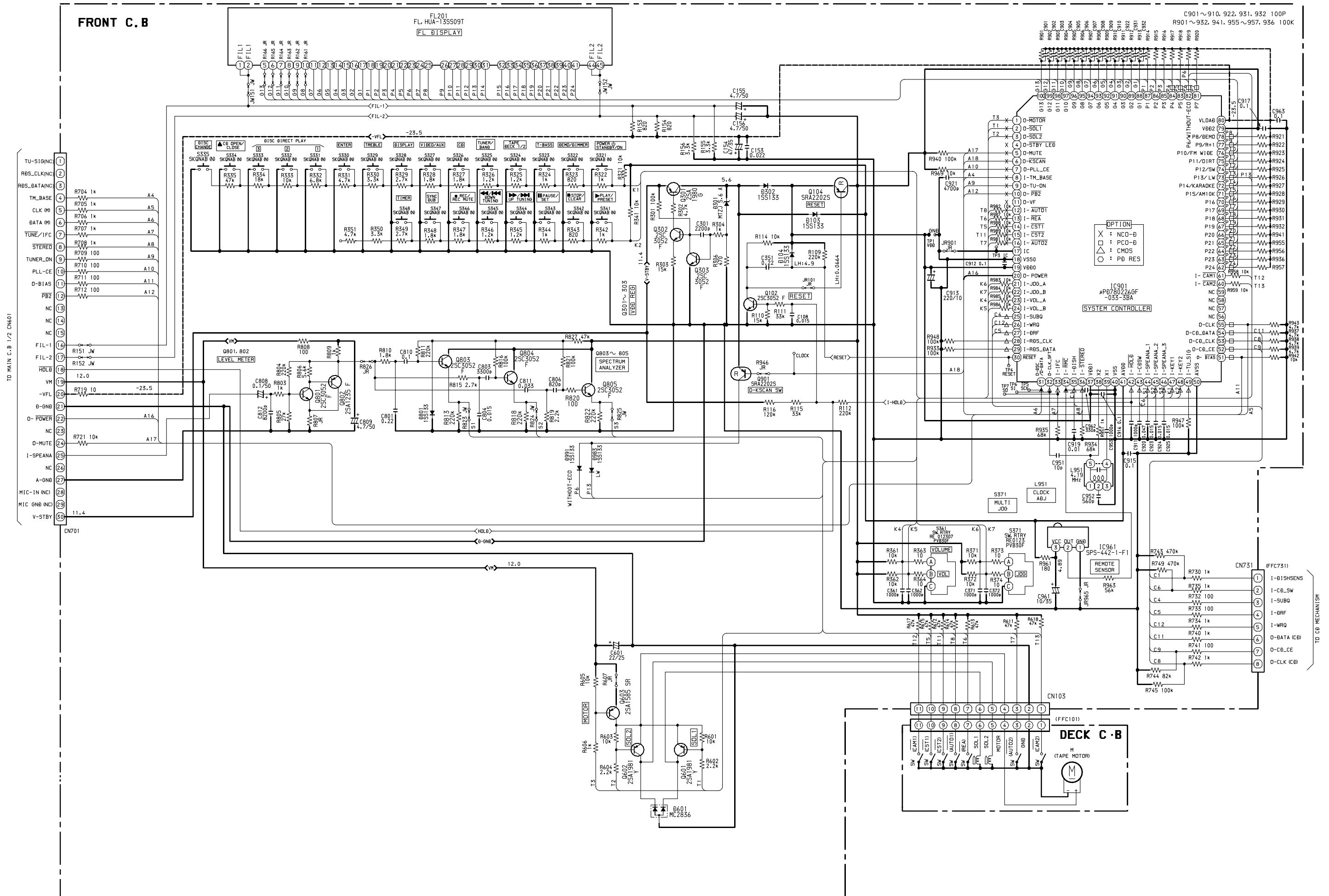
SCHEMATIC DIAGRAM - 2/5 (MAIN -2/2, TUNER SECTION)



SCHEMATIC DIAGRAM -3/5 (HP SECTION)



SCHEMATIC DIAGRAM - 4/5 (FRONT/DECK SECTION)



SCHEMATIC DIAGRAM -5/5 (POWER SECTION)

