

DJ-160T/E DJ-460T/E

Service Manual

● SPECIFICATIONS	1
● PARTS <DJ-160T/E><DJ-460T/E>	2
● CABINET PARTS LOCATION	8
● ADJUSTMENT <DJ-160T/E><DJ-460T/E>	9
● BLOCK DIAGRAM <DJ-160T/E><DJ-460T/E>	14
● SCHEMATIC DIAGRAM OF CPU UNIT <DJ-160T/E><DJ-460T/E>	16
● CPU PC BOARD <DJ-160T/E><DJ-460T/E>	17
● SCHEMATIC DIAGRAM OF VCO UNIT <DJ-160T/E>	19
● VCO PC BOARD <DJ-160T/E>	20
● SCHEMATIC DIAGRAM OF VCO UNIT <DJ-460T/E>	21
● VCO PC BOARD <DJ-460T/E>	22
● SCHEMATIC DIAGRAM OF RF UNIT <DJ-160T/E>	23
● RF PC BOARD <DJ-160T/E>	24
● SCHEMATIC DIAGRAM OF RF UNIT <DJ-460T/E>	26
● RF PC BOARD <DJ-460T/E>	27
● SCHEMATIC DIAGRAM OF IF UNIT <DJ-160T/E><DJ-460T/E>	29
● IF PC BOARD <DJ-160T/E>	30
● IF PC BOARD <DJ-460T/E>	32

ALINCO ELECTRONICS INC.

■ SPECIFICATIONS

■ General

Frequency Range.....	DJ-160T 144.00 — 148.00MHz DJ-160E 144.00 — 146.00MHz DJ-460T 440.00 — 450.00MHz DJ-460E 430.00 — 440.00MHz
Emission Type	16F3
Antenna Impedance.....	50 OHMS
Operating Voltage.....	Rated 7.2V
Operating Current	High (2W) : 1A Low (0.2W): 500mA
Dimensions.....	142(H) × 57(W) × 32(D)mm
Weight	Approx. 350g

■ Receiver

Type	Superheterodyne, Double Conversion 1st IF: 55.05MHz 2nd IF: 455kHz
Sensitivity.....	12dB SINAD less than -15dB μ
Selectivity.....	More than ± 7.5 kHz at -6dB Less than ± 15 kHz at -60dB
IF	1st IF: 55.05MHz 2nd IF: 455kHz
Audio Output.....	More than 250mW (10% THD), 8 ohms

■ Transmitter

Output Power	See table
Modulation.....	Variable reactance FM
Maximum Deviation.....	± 5 kHz
Harmonic Suppression	-60dB
Microphone	Built-in electret condenser

RF POWER OUTPUT TABLE		
Battery	Hi	Lo
EBP-10N	2W	Approx. $\times 0.2$ W
EBP-12N	5W	Approx. $\times 0.5$ W

Specifications subject to change without notice.

■ PARTS LIST (DJ-160T/E)

Ref. No.	Part Code	Part Name and Number	Ref. No.	Part Code	Part Name and Number	Ref. No.	Part Code	Part Name and Number
CPU Unit			R56	RK3102	Chip R, MCR03 20kΩ (T only)	R121	RK3062	Chip R, MCR03 100kΩ
IC1	XA0138	IC, μP D75116GF-690-38E	R57	RK3102	Chip R, MCR03 20kΩ (T only)	R122	RK3050	Chip R, MCR03 10kΩ
IC2	XA0107	IC, MT8880AP	R57	RK3038	Chip R, MCR03 1kΩ (E only)	R123	RK3046	Chip R, MCR03 4.7kΩ
IC3	XA0106	S-8054HN-TI	R58	RK3034	Chip R, MCR03 470Ω	R124	RK3050	Chip R, MCR03 10kΩ
Q1	XT0038	Transistor, 2SA1037KT146R	R59	RK3034	Chip R, MCR03 470Ω	R125	RK0107	Chip R, MCR10 0Ω (T only)
Q2	XT0077	Transistor, 2SC3326ATE85L	R60	RK3050	Chip R, MCR03 10kΩ (T only)	C112	CU3052	Chip C, CM105W5R103K
Q3	XT0038	Transistor, 2SA1037KT146R	R60	RK3001	Chip R, MCR03 0Ω (E only)	C113	CU3052	Chip C, CM105W5R103K
Q4	XT0077	Transistor, 2SC3326ATE85L	R61	RK3050	Chip R, MCR03 10kΩ (T only)	C114	CU3035	Chip C, CM105W5R102K
D1	XD0120	Diode MA704WKT X	R61	RK3001	Chip R, MCR03 0Ω (E only)	C115	CU3052	Chip C, CM105W5R103K
D2	XD0121	Diode RLZ9.1CTE-11	R62	RK3050	Chip R, MCR03 10kΩ (T only)	C116	CU3019	Chip C, CM105CH470K
FAR1	XB0001	FAR-C4CA-0358000K01	R62	RK3001	Chip R, MCR03 0Ω (E only)	C117	CU3003	Chip C, CM105CH020C
FAR2	XB0001	FAR-C4CA-0358000K01	R63	RK3102	Chip R, MCR03 20kΩ (T only)	C118	CU3035	Chip C, CM105W5R102K
CN1	UE0099	Connector 52103-1317	R64	RK3058	Chip R, MCR03 47kΩ	C119	CU3035	Chip C, CM105W5R102K
CN2	UE0101	Connector 52030-2810	R69	RK3034	Chip R, MCR03 470Ω	C121	CU3052	Chip C, CM105W5R103K
CN3	UE0102	BasewithPost 9P2mm	R70	RK3034	Chip R, MCR03 470Ω	C123	CU3035	Chip C, CM105W5R102K
L2	QC0016	Chip L, MLF3216A2R2M	R71	RK3038	Chip R, MCR03 1kΩ	C124	CU8003	Chip C, C2012Y1E104Z
L3	QC0016	Chip L, MLF3216A2R2M	R72	RK3058	Chip R, MCR03 47kΩ	C126	CS0063	ChipTantal C, TMC1V104TR
L4	QC0014	ChorkCoil LAL02"NA100K	R73	RK3058	Chip R, MCR03 47kΩ	C127	CS0058	ChipTantal C, TMCQJ685TR
R1	RK3058	Chip R, MCR03 47kΩ	R74	RK3034	Chip R, MCR03 470Ω	RF Unit		
R2	RK3038	Chip R, MCR03 1kΩ	R75	RK3058	Chip R, MCR03 47kΩ	IC301	XA0044	IC, M57796MA
R3	RK3052	Chip R, MCR03 15kΩ	R76	RK1107	Chip R, MCR18 0Ω	IC302	XA0103	IC, MB1501PF-G-BND-TF
R4	RK3058	Chip R, MCR03 47kΩ	R77	RK3062	Chip R, MCR03 100kΩ	Q302	XT0030	Transistor, 2SC3356-T1 (R24orR25)
R5	RK3026	Chip R, MCR03 100Ω	C1	CU3035	Chip C, CM105W5R102K	Q303	XT0030	Transistor, 2SC3356-T1 (R24orR25)
R6	RK3050	Chip R, MCR03 10kΩ	C2	CU3035	Chip C, CM105W5R102K	Q304	XT0081	Transistor, 2SC2714YTE85L
R7	RK3046	Chip R, MCR03 4.7kΩ	C3	CS0050	Chip Tantal C, TMC1A475TR	Q307	XT0030	Transistor, 2SC3356-T1 (R24orR25)
R8	RK3038	Chip R, MCR03 1kΩ	C4	CS0053	Chip Tantal C, TMCQJ476TR	Q308	XT0048	Transistor, 2SC3357-T1 (REorRF)
R9	RK3056	Chip R, MCR03 33kΩ	C5	CU3031	Chip C, CM105W5R471K	Q309	XT0030	Transistor, 2SC3356-T1 (R24orR25)
R10	RK3046	Chip R, MCR03 4.7kΩ	C6	CU3052	Chip C, CM105W5R103K	Q310	XU0017	Transistor, DTA144EKT146 (T only)
R11	RK3046	Chip R, MCR03 4.7kΩ	C7	CU3035	Chip C, CM105W5R102K	Q310	XU0017	Transistor, DTA144EKT196 (E only)
R12	RK3038	Chip R, MCR03 1kΩ	C8	CS0049	Chip Tantal C, TMC1C105TR	D302	XD0066	Diode, RLS135-TE11
R13	RK3026	Chip R, MCR03 100Ω (T only)	C9	CU3031	Chip C, CM105W5R471K	D303	XD0066	Diode, RLS135-TE11
R13	RK3038	Chip R, MCR03 1kΩ (E only)	C10	CU2012	Chip C, CM105Y5V473Z (T only)	D304	XD0066	Diode, RLS135-TE11
R14	RK3038	Chip R, MCR03 1kΩ	C10	CU2012	Chip C, C2012B1H103K (E only)	D305	XD0077	Varicap, 1SV161-TPH2
R15	RK3074	Chip R, MCR03 1MΩ	C11	CU3056	Chip C, CM105Y5V473Z (T only)	D306	XD0077	Varicap, 1SV161-TPH2
R16	RK3065	Chip R, MCR03 180kΩ	C11	CU2012	Chip C, C2012B1H103K (E only)	D307	XD0077	Varicap, 1SV161-TPH2
R17	RK3056	Chip R, MCR03 33kΩ	C12	CU3052	Chip C, CM105W5R103K	D308	XD0066	Diode, RLS135-TE11
R18	RK3052	Chip R, MCR03 15kΩ	C13	CU8003	Chip C, C2012Y1E104Z	VR301	RH0036	VRCVR-42A-102AW1D
R19	RK3049	Chip R, MCR03 8.2kΩ (E only)	C14	CU8002	Chip C, C2012B1H103K	VR302	RH0037	VRCVR-42A-471AW1D
R20	RK3050	Chip R, MCR03 10kΩ (T only)	C15	CU8003	Chip C, C2012Y1E104Z	TC304	CT0012	Trimmer C., CTZ-10AW
R21	RK3065	Chip R, MCR03 180kΩ	C16	CU8003	Chip C, C2012Y1E104Z	TC305	CT0012	Trimmer C., CTZ-10AW
R22	RK3056	Chip R, MCR03 33kΩ	C17	CU3035	Chip C, CM105W5R102K	QB0007	QB0007	Core V5F-TH2. 6×2. 8S14
R23	RK3052	Chip R, MCR03 15kΩ	C18	CU3023	Chip C, CM105CH101K	L301	QK0078	Air Core Coil, 0.4-1.5×1.5T
R24	RK3049	Chip R, MCR03 8.2kΩ (E only)	C19	CU3054	Chip C, CM105W5R223K	L302	QK0078	Air Core Coil, 0.4-1.5×1.5T
R25	RK3050	Chip R, MCR03 10kΩ	C20	CU3035	Chip C, CM105W5R102K	L303	QK0079	Air Core Coil, 0.4-2.6×6T
R26	RK3050	Chip R, MCR03 10kΩ	C21	CU3052	Chip C, CM105W5R103K	L304	QK0079	Air Core Coil, 0.4-2.6×6T
R27	RK3038	Chip R, MCR03 1kΩ	C22	CU3031	Chip C, CM105W5R471K	L305	QK0079	Air Core Coil, 0.4-2.6×6T
R28	RK3062	Chip R, MCR03 100kΩ	C24	CE0056	Electrolytic Capacitor, 100SW	L306	QA0065	Coil QA0065
R29	RK3059	Chip R, MCR03 56kΩ	C30	CU3056	Chip C, CM105Y5V473Z (E only)	L307	QC0003	Chip L, MLF32161ROM
R30	RK3066	Chip R, MCR03 220kΩ	J1	UJ0016	Jack, HSJ1423-01-050	L308	QA0065	Coil QA0065
R31	RK3018	Chip R, MCR03 22Ω		EL0010	LCD Unit, LU3X-188A	L309	QA0065	Coil QA0065
R32	RK3050	Chip R, MCR03 10kΩ		UP0170	CPU Board	L310	QC0039	Chip L, NL322522T1ROM
R33	RK3058	Chip R, MCR03 47kΩ		YZ0061	UL Tape, 10mm × 1mm	L311	QA0065	Coil QA0064
R34	RK3046	Chip R, MCR03 4.7kΩ		TT1001	Elastic Tube, Ø0.7 × 1mm	L312	QA0065	Coil QA0064
R35	RK3058	Chip R, MCR03 47kΩ	VCO Unit			L314	QK0012	Air Core Coil, 0.4-2.0 × 2.5T
R36	RK3058	Chip R, MCR03 47kΩ	Q104	XT0030	Transistor, 2SC3356-T1	L315	QC0003	Chip L, MLF32161ROM
R37	RK3058	Chip R, MCR03 47kΩ	Q106	XT0030	Transistor, 2SC3356-T1	L316	QK0079	Air Core Coil, 0.4-2.6 × 6T
R38	RK3034	Chip R, MCR03 470Ω	Q107	XT0090	Transistor, 2SC2411KT146Q	L317	QC0003	Chip L, MLF32161ROM
R39	RK3034	Chip R, MCR03 470Ω	D102	XD0077	Varicap, 1SV161-TPH2	L318	QC0009	Chip L, MLFR10M
R40	RK3038	Chip R, MCR03 1kΩ	D103	XD0077	Varicap, 1SV161-TPH2	L319	QC0003	Chip L, MLF32161ROM
R41	RK3038	Chip R, MCR03 1kΩ	L102	QC0010	Chip L, MLF3216E100M	L320	QC0009	Chip L, MLFR10M
R42	RK3034	Chip R, MCR03 470Ω	L103	QC0003	Chip L, MLF3216E100M	R302	RK3046	Chip R, MCR03 4.7kΩ
R43	RK3034	Chip R, MCR03 470Ω	L104	QC0010	Chip L, MLF3216E100M	R303	RK3046	Chip R, MCR03 4.7kΩ
R44	RK3034	Chip R, MCR03 470Ω	L105	QC0010	Chip L, MLF3216E100M	R304	RK3074	Chip R, MCR03 1MΩ
R45	RK3034	Chip R, MCR03 470Ω	L106	QA0063	Coil, QA0063	R305	RK3062	Chip R, MCR03 100kΩ
R46	RK3038	Chip R, MCR03 1kΩ	L107	QA0081	Air Core Coil, 0.4-1.5×4T	R306	RK3022	Chip R, MCR03 47Ω
R47	RK3038	Chip R, MCR03 1kΩ		UT0019	PC Board Terminal, CK-1-2	R307	RK3026	Chip R, MCR03 100Ω
R48	RK3038	Chip R, MCR03 1kΩ		TS0032A	VCO Case	R308	RK3074	Chip R, MCR03 1MΩ
R49	RK3038	Chip R, MCR03 1kΩ	R109	RK3030	Chip R, MCR03 220Ω	R309	RK3074	Chip R, MCR03 1MΩ
R50	RK3038	Chip R, MCR03 1kΩ	R110	RK3026	Chip R, MCR03 100Ω			
R51	RK3038	Chip R, MCR03 1kΩ	R111	RK3022	Chip R, MCR03 47Ω			
R52	RK3038	Chip R, MCR03 1kΩ	R112	RK3046	Chip R, MCR03 4.7kΩ			
R53	RK3038	Chip R, MCR03 1kΩ	R113	RK3054	Chip R, MCR03 22kΩ			
R54	RK3102	Chip R, MCR03 20kΩ (T only)	R114	RK3038	Chip R, MCR03 1kΩ			
R55	RK3102	Chip R, MCR03 20kΩ (T only)	R115	RK3026	Chip R, MCR03 100Ω			
			R116	RK3062	Chip R, MCR03 100kΩ			
			R117	RK3038	Chip R, MCR03 1kΩ			

Ref. No.	Part Code	Part Name and Number	Ref. No.	Part Code	Part Name and Number	Ref. No.	Part Code	Part Name and Number
R310	RK3050	Chip R, MCR03	C357	CU3052	Chip C, CM105W5R103K	R201	XU0039	X'tal, 54.595MHz UM-1
R311	RK3056	Chip R, MCR03	C359	CU3023	Chip C, CM105GH101K	R202	XU0026	Transistor, FMQ2T98
R312	RK3026	Chip R, MCR03	C360	CU3035	Chip C, CM105W5R102K	R203	XU0098	Transistor, 2SA1213TE85L
R313	RK3070	Chip R, MCR03	C362	CU3052	Chip C, CM105W5R103K	R204	XT0037	Transistor, 2SC242K1146R
R314	RK3030	Chip R, MCR03	C363	CU3011	Chip C, CM105GH100K	X'tal	X00039	
R315	RK3038	Chip R, MCR03	C364	CU3035	Chip C, CM105W5R102K	FILE	X00004	445K Filter, CFJMA445E
R316	RK3038	Chip R, MCR03	C365	CU3052	Chip C, CM105W5R103K	VR201	RV0014	VR, RK09722115R1211, 10KBx2
R317	RK3038	Chip R, MCR03	C366	CU3005	Chip C, CM105GH400C	VR202	RH0059	VR, MWR32HX8223
R327	RK3038	Chip R, MCR03	C367	CU3035	Chip C, CM105W5R102K	VR203	RH0060	VR, MWR32HX8473
R328	RK3038	Chip R, MCR03	C368	CU3052	Chip C, CM105W5R103K	VR204	RH0060	VR, MWR32HX8473
R329	RK3064	Chip R, MCR03	C369	CU3015	Chip C, CM105GH100K	VR205	RH0060	VR, MWR32HX8473
R330	RK3026	Chip R, MCR03	C370	CU3052	Chip C, CM105W5R103K	R EMC	UR0004	Rotary Encoder, SRBM1L
R331	RK3038	Chip R, MCR03	C371	CU3011	Chip C, CM105GH100K	L 201	OC0037	Chip L, N1322522T-868M
R332	RK0130	Chip R, MCR10	C372	CU3035	Chip C, CM105W5R102K	L 202	QA0044	Detection Coil, QA0044
R333	RK3034	Chip R, MCR03	C373	CU3035	Chip C, CM105W5R102K			
R334	RK3034	Chip R, MCR03	C374	CU3035	Chip C, CM105W5R102K			
R335	RK3022	Chip R, MCR03	C378	CU3035	Chip C, CM105W5R102K			
R336	RK3050	Chip R, MCR03	C390	CU3023	Chip C, CM105GH101K			
R337	RK3046	Chip R, MCR03	C381	CU3016	Chip C, CM105GH270K	J201	UJ0015	DC Jack, HEC1781-01-020
R338	RK3038	Chip R, MCR03	C382	CU3016	Chip C, CM105GH270K	J202	UJ0017	MIC Jack, HSJ2079-01-010
R341	RK3022	Chip R, MCR03	C383	CU3052	Chip C, CM105W5R103K	TH201	XS0007	Thermistor, TD5-C2300
R342	RK3026	Chip R, MCR03	C384	CU3052	Chip Tantal C, TMCJ0225TR	R205	RK3072	Chip R, MCR03
R343	RK3026	Chip R, MCR03	C385	CU3052	Chip C, CM105W5R103K	R206	RK3038	Chip R, MCR03
R344	RK3054	Chip R, MCR03	C386	CS0209	Chip Tantal C, TMCN0J106TR	R207	RK3050	Chip R, MCR03
R345	RK3054	Chip R, MCR03	C387	CS0209	Chip Tantal C, TMCJ0225TR	R208	RK3062	Chip R, MCR03
R346	RK3054	Chip R, MCR03	C388	CU3035	Chip C, CM105W5R102K	R209	RK3062	Chip R, MCR03
R347	RK3050	Chip R, MCR03	C389	CU3011	Chip C, CM105GH100K	R210	RK3042	Chip R, MCR03
R348	RK3050	Chip R, MCR03	C390	CU3056	Chip C, CM105Y5V473Z	R211	RK3042	Chip R, MCR03
R349	RK3050	Chip R, MCR03	C391	CS0209	Chip Tantal C, TMCN0J106TR	R212	RK3070	Chip R, MCR03
R350	RK3038	Chip R, MCR03	C392	CU3035	Chip C, CM105W5R102K	R212	RK3042	Chip R, MCR03
R351	RK3026	Chip R, MCR03	C394	CU3035	Chip C, CM105W5R102K	R213	RK3038	Chip R, MCR03
R352	RK3026	Chip R, MCR03	C397	CU3015	Chip C, CM105GH270K	R214	RK3054	Chip R, MCR03
R353	RK3014	Chip R, MCR03	C398	CU3052	Chip C, CM105W5R103K	R215	RK3050	Chip R, MCR03
R354	RK3054	Chip R, MCR03	C401	CU3052	Chip C, CM105W5R103K	R216	RK3022	Chip R, MCR03
R355	RK3026	Chip R, MCR03	C402	CU3052	Chip C, CM105W5R103K	R217	RK3050	Chip R, MCR03
R358	RK3026	Chip R, MCR03	C404	CU3035	Chip C, CM105W5R102K	R218	RK3071	Chip R, MCR03
R359	RK3030	Chip R, MCR03	X'tal	X00022	X'tal, 12.8MHzUM-1	R219	RK3054	Chip R, MCR03
R360	RK3038	Chip R, MCR03	X'F12	XF0003	X'tal Filter, 55.0MHz (55M15A)	R220	RK3022	Chip R, MCR03
R361	RK3026	Chip R, MCR03	UE0100	UE0100	Antenna Connector, (with Connector, Nut)	R221	RK3062	Chip R, MCR03
R362	RK3042	Chip R, MCR03	UE0039	UE0039	Connector, 52030-1610	R222	RK3042	Chip R, MCR03
R363	RK3074	Chip R, MCR03	US0015	US0015	Housing, T1L-P02P-C1	R223	RK3041	Chip R, MCR03
R365	RK3001	Chip R, MCR03	TZ0021	TZ0021	Slide Switch, HSW0890-01-210	R224	RK3062	Chip R, MCR03
					Insulating Paper	R225	RK3054	Chip R, MCR03
						R226	RK3058	Chip R, MCR03
						R227	RK3058	Chip R, MCR03
						R228	RK3058	Chip R, MCR03
						R229	RK3058	Chip R, MCR03
						R230	RK3050	Chip R, MCR03
						R231	RK3058	Chip R, MCR03
						R232	RK3050	Chip R, MCR03
						R233	RK3070	Chip R, MCR03
						R234	RK3058	Chip R, MCR03
						R235	RK3050	Chip R, MCR03
						R236	RK3046	Chip R, MCR03
						R237	RK3067	Chip R, MCR03
						R238	RK3042	Chip R, MCR03
						R239	RK3058	Chip R, MCR03
						R240	RK3050	Chip R, MCR03
						R241	RK3032	Chip R, MCR03
						R242	RK3046	Chip R, MCR03
						R243	RK3028	Chip R, MCR03
						R244	RK3062	Chip R, MCR03
						R245	RK3050	Chip R, MCR03
						R246	RK3050	Chip R, MCR03
						R247	RK3042	Chip R, MCR03
						R248	RK3050	Chip R, MCR03
						R249	RK3042	Chip R, MCR03
						R250	RK3046	Chip R, MCR03
						R251	RK3050	Chip R, MCR03
						R252	RK3050	Chip R, MCR03
						R253	RK3050	Chip R, MCR03
						R254	RK3066	Chip R, MCR03
						R255	RK3022	Chip R, MCR03
						R256	RK3062	Chip R, MCR03
						R257	RK3062	Chip R, MCR03
						R258	RK3059	Chip R, MCR03
						R259	RK3066	Chip R, MCR03
						R260	RK3059	Chip R, MCR03
						R261	RK3066	Chip R, MCR03
						R262	RK3050	Chip R, MCR03
						R263	RK3065	Chip R, MCR03
						R264	RK3067	Chip R, MCR03
						R265	RK3058	Chip R, MCR03
						R266	RK3050	Chip R, MCR03
						R267	RK3050	Chip R, MCR03
						R268	RK3046	Chip R, MCR03
						R269	RK3029	Chip R, MCR03
						R270	RK0105	Chip R, MCR10
								2.2Ω

IF Unit

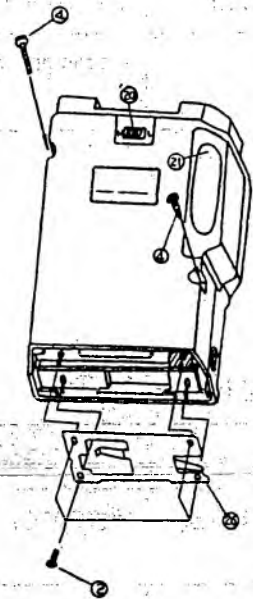
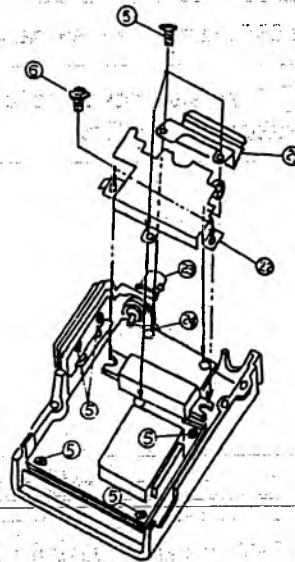
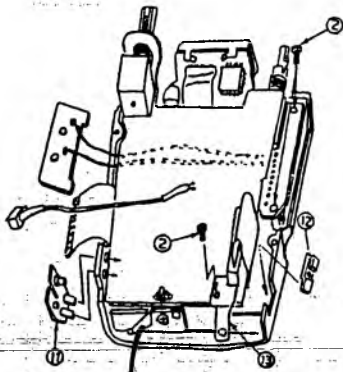
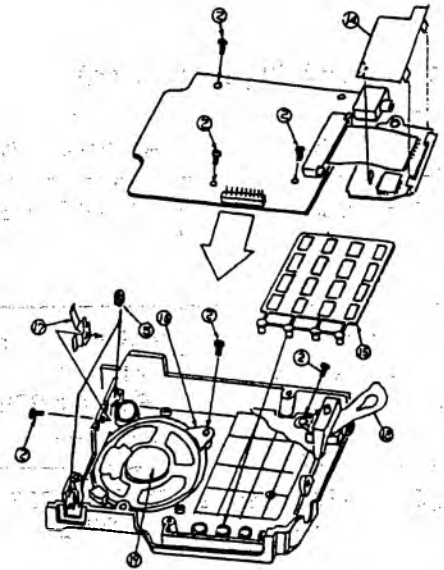
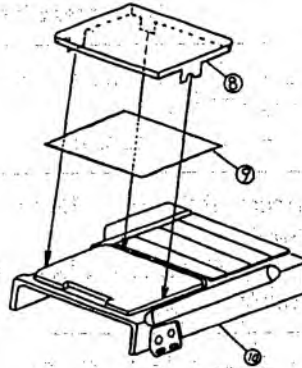
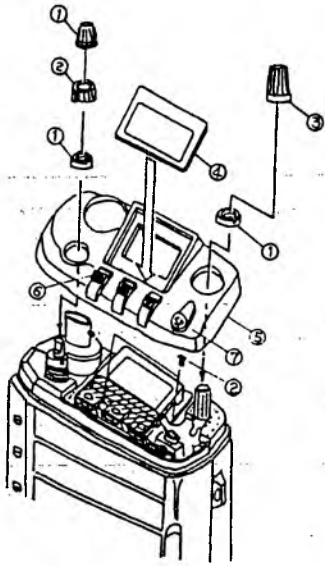
IC201	XA0070	IC, MC3361D
IC202	XA0061	IC, N1JM386M
IC203	XA0068	IC, M5218FP-101-1
IC204	XA0104	IC, M5236M-73A
D202	X00118	Diode, MA716TW
D203	X00119	Diode, MA718TX
D204	X00108	Diode, MA704TX
D205	X00040	Diode, DAN202K196
D206	X00040	Diode, DAN202K196
D207	X00104	Zener Diode, 02C26, 2YTE85L
D209	X00091	Diode, 1M110
D210	X00107	Diode, DAP202K196
D211	X00040	Diode, DAN202K196
X'tal	XU0081	Transistor, 2SC714YTE85L
X'F12	XU0037	Transistor, 2SC2413K1146R
UE0100	XU0036	Transistor, 2SC2413K1146R
UE0039	XU0036	Transistor, 2SC2413K1146R
US0015	XU0037	Transistor, 2SC2412K1146R
TZ0021	XU0021	Transistor, FMC3198
	XU0027	Transistor, 2SC412K1146R
	XU0026	Transistor, 2SC412K1146R
	XU0027	Transistor, 2SA1213TE85L
	XU0027	Transistor, FMA2T98
	XU0027	Transistor, FMA2T98
	XU0026	Transistor, FMA2T98
	XU0027	Transistor, FMA2T98
	XU0026	Transistor, FMA2T98

PARTS LIST (DJ-460T/E)

Ref. No.	Part Code	Part Name and Number	Ref. No.	Part Code	Part Name and Number	Ref. No.	Part Code	Part Name and Number
						CPU Unit		
R271	RK3062	Chip R, MCR03 100kΩ	C271	CS0049	Chip Tantal C, TMC1C105TR	IC1	XA0138	IC, μ PD75116GF-690-38E
R272	RK3058	Chip R, MCR03 47kΩ	C272	CU3035	Chip C, CM105W5R102K	IC2	XA0107	IC, MT8890AP
R273	RK3038	Chip R, MCR03 1kΩ	C273	CU3035	Chip C, CM105W5R102K	IC3	XA0106	IC, S-8054HN-T1
R274	RK3034	Chip R, MCR03 470Ω	C274	CU3035	Chip C, CM105W5R102K	Q1	XT0038	Transistor, 2SA1037KT146R
R275	RK3034	Chip R, MCR03 470Ω	C275	CE0315	Electrolytic Chip Capacitors, 16V 47μF	Q2	XT0077	Transistor, 2SC3326ATE85L
R276	RK0105	Chip R, MCR10 2.2Ω	C276	CU3035	Chip C, CM105W5R102K	Q3	XT0038	Transistor, 2SA1037KT146R
R277	RK3050	Chip R, MCR03 10kΩ	C277	CS0049	Chip Tantal C, TMC1C105TR	Q4	XT0077	Transistor, 2SC3326ATE85L
R278	RK3014	Chip R, MCR03 10Ω	C278	CS0209	Chip Tantal C, TCM0J106TR	D1	XD0120	Diode, MA704WKTW
R279	RK3029	Chip R, MCR03 180Ω	C279	CU3035	Chip C, CM105W5R102K	D2	XD0121	Diode, RLZ9.1CTE11
R280	RK3054	Chip R, MCR03 22kΩ	C280	CE0315	Electrolytic Chip Capacitors, 16V 47μF	FAR1	XB0001	FAR-C4CA-3580000K01
R289	RK1018	Chip R, MCR18 100Ω	C281	CU3035	Chip C, CM105W5R102K	FAR2	XB0001	FAR-C4CA-3580000K01
R290	RK3066	Chip R, MCR03 220kΩ	C282	CU3035	Chip C, CM105W5R102K	CN1	UE0099	Connector, 52103-1317
R291	RK3044	Chip R, MCR03 3.3kΩ	C283	CU3035	Chip C, CM105W5R102K	CN2	UE0101	Connector, 52030-2810
R292	RK3050	Chip R, MCR03 10kΩ	C285	CU3052	Chip C, CM105W5R103K	CN3	UE0102	Base with Post, 9P2mm
C203	CU3052	Chip C, CM105W5R103K	C286	CU3035	Chip C, CM105W5R102K	L2	QC0016	Chip L, MLF3216A2R2M
C204	CU3052	Chip C, CM105W5R103K	C287	CU3035	Chip C, CM105W5R102K	L3	QC0016	Chip L, MLF3216A2R2M
C205	CU3052	Chip C, CM105W5R103K	C288	CU3035	Chip C, CM105W5R102K	R1	RK3058	Chip R, MCR03 47kΩ
C206	CU8003	Chip C, C2012Y1E104Z	C289	CU3052	Chip C, CM105W5R103K	R2	RK3038	Chip R, MCR03 1kΩ
C207	CU8003	Chip C, C2012Y1E104Z	C290	CU3035	Chip C, CM105W5R102K	R3	RK3052	Chip R, MCR03 15kΩ
C208	CU8003	Chip C, C2012Y1E104Z	C292	CU8003	Chip C, C2012Y1E104Z	R5	RK3026	Chip R, MCR03 100Ω
C209	CU3052	Chip C, CM105W5R103K	C293	CU8003	Chip C, C2012Y1E104Z	R6	RK3050	Chip R, MCR03 10kΩ
C210	CU3017	Chip C, CM105CH330K	C294	CE0308	Electrolytic Chip Capacitors, 6.3V 100μF	R7	RK3046	Chip R, MCR03 4.7kΩ
C211	CU3035	Chip C, CM105W5R102K	C295	CU3023	Chip C, CM105CH101K	R8	RK3038	Chip R, MCR03 1kΩ
C212	CU3035	Chip C, CM105W5R102K	C296	CU3060	Chip C, CM105CH221K	R9	RK3056	Chip R, MCR03 33kΩ
C213	CU3035	Chip C, CM105W5R102K	C297	CU8003	Chip C, C2012Y1E104Z	R10	RK3046	Chip R, MCR03 4.7kΩ
C214	CU3035	Chip C, CM105W5R102K	C299	CU3053	Chip C, CM105Y5V333Z	R11	RK3046	Chip R, MCR03 4.7kΩ
C215	CU3052	Chip C, CM105W5R103K	CN201	UE0101	Connector, 52030-2810	R12	RK3038	Chip R, MCR03 1kΩ
C216	CU3019	Chip C, CM105CH470K	CN202	UE0100	Connector, 52030-1610	R13	RK3050	Chip R, MCR03 10kΩ (T only)
C217	CU3006	Chip C, CM105CH050C	CN203	UE0098	Connector, 52103-1017	R13	RK3038	Chip R, MCR03 1kΩ (E only)
C218	CU3013	Chip C, CM105CH150K				R14	RK3038	Chip R, MCR03 1kΩ
C219	CU3035	Chip C, CM105W5R102K				R15	RK3074	Chip R, MCR03 1MΩ
C220	CU3019	Chip C, CM105CH470K				R16	RK3065	Chip R, MCR03 180kΩ
C221	CS0059	Chip Tantal C, TMC0J226TR				R17	RK3056	Chip R, MCR03 33kΩ
C222	CU8003	Chip C, C2012Y1E104Z				R18	RK3052	Chip R, MCR03 15kΩ
C223	CU8003	Chip C, C2012Y1E104Z				R19	RK3049	Chip R, MCR03 8.2kΩ (E only)
C224	CU8003	Chip C, C2012Y1E104Z				R20	RK3050	Chip R, MCR03 10kΩ (T only)
C225	CU3035	Chip C, CM105W5R102K				R21	RK3065	Chip R, MCR03 180kΩ
C226	CU3061	Chip C, CM105CH271K				R22	RK3056	Chip R, MCR03 33kΩ
C227	CU8003	Chip C, C2012Y1E104Z				R24	RK3049	Chip R, MCR03 8.2kΩ (E only)
C228	CU3035	Chip C, CM105W5R102K				R25	RK3050	Chip R, MCR03 10kΩ
C229	CU3052	Chip C, CM105W5R103K				R26	RK3050	Chip R, MCR03 10kΩ
C233	CU3039	Chip C, CM105W5R222K				R27	RK3038	Chip R, MCR03 1kΩ
C234	CU3035	Chip C, CM105W5R102K				R28	RK3062	Chip R, MCR03 100kΩ
C236	CS0050	Chip Tantal C, TMC1A475TR				R29	RK3059	Chip R, MCR03 56kΩ
C237	CS0063	Chip Tantal C, TMC1V104TR				R30	RK3066	Chip R, MCR03 220kΩ
C238	CU3054	Chip C, CM105W5R223K				R31	RK3018	Chip R, MCR0 22Ω
C239	CU3056	Chip C, CM105Y5V473Z				R32	RK3050	Chip R, MCR03 10kΩ
C240	CU3056	Chip C, CM105Y5V473Z				R33	RK3058	Chip R, MCR03 47kΩ
C241	CU3054	Chip C, CM105W5R223K				R34	RK3046	Chip R, MCR03 4.7kΩ
C242	CU3052	Chip C, CM105W5R103K				R35	RK3058	Chip R, MCR03 47kΩ
C243	CS0049	Chip Tantal C, TMC1C105TR				R36	RK3058	Chip R, MCR03 47kΩ
C244	CE0308	Electrolytic Chip Capacitors, 6.3V 100μF				R37	RK3058	Chip R, MCR03 47kΩ
C245	CU3054	Chip C, CM105W5R223K				R38	RK3034	Chip R, MCR03 470Ω
C246	CU3054	Chip C, CM105W5R223K				R39	RK3034	Chip R, MCR03 470Ω
C247	CU3031	Chip C, CM105W5R471K				R4	RK3058	Chip R, MCR03 47kΩ
C248	CU3031	Chip C, CM105W5R471K				R40	RK3038	Chip R, MCR03 1kΩ
C249	CU3031	Chip C, CM105W5R471K				R41	RK3038	Chip R, MCR03 1kΩ
C250	CE0056	Electrolytic Condenser, 16MV100SW				R42	RK3034	Chip R, MCR03 470Ω
C251	CU3031	Chip C, CM105W5R471K				R43	RK3034	Chip R, MCR03 470Ω
C252	CU3031	Chip C, CM105W5R471K				R44	RK3034	Chip R, MCR03 470Ω
C253	CS0049	Chip Tantal C, TMC1C105TR				R45	RK3034	Chip R, MCR03 470Ω
C254	CU3052	Chip C, CM105W5R103K				R46	RK3038	Chip R, MCR03 1kΩ
C255	CU3023	Chip C, CM105CH101K				R47	RK3038	Chip R, MCR03 1kΩ
C257	CU3060	Chip C, CM105CH221K				R48	RK3038	Chip R, MCR03 1kΩ
C258	CU3035	Chip C, CM105W5R102K				R49	RK3038	Chip R, MCR03 1kΩ
C259	CU3035	Chip C, CM105W5R102K				R50	RK3038	Chip R, MCR03 1kΩ
C260	CU3031	Chip C, CM105W5R471K				R51	RK3038	Chip R, MCR03 1kΩ
C261	CU3031	Chip C, CM105W5R471K				R52	RK3038	Chip R, MCR03 1kΩ
C262	CS0209	Chip Tantal C, TCM0J106TR				R53	RK3038	Chip R, MCR03 1kΩ
C263	CS0069	Chip Tantal C, TMC1V154TR				R54	RK3102	Chip R, MCR03 20kΩ (T only)
C264	CS0209	Chip Tantal C, TCM0J106TR				R55	RK3102	Chip R, MCR03 20kΩ (T only)
C265	CU3043	Chip C, CM105W5R472K						
C266	CU3019	Chip C, CM105CH470K						
C267	CU3052	Chip C, CM105W5R103K						
C268	CE0307	Electrolytic Chip Capacitors, 6.3V 47μF						
C269	CU3035	Chip C, CM105W5R102K						
C270	CU3035	Chip C, CM105W5R102K						

Ref. No.	Part Code	Part Name and Number	Ref. No.	Part Code	Part Name and Number	Ref. No.	Part Code	Part Name and Number
C218	CU3013	Chip C, CM105CH150K	C297	CU8003	Chip C, C2012Y1E104Z			
C219	CU3035	Chip C, CM105W5R102K	C298	CS0059	Chip Tantal C, TMC0J226TR			
C220	CU3019	Chip C, CM105CH470K	C299	CU3053	Chip C, CM105Y5V333Z			
C221	CS0059	Chip Tantal C, TMC0J226TR						
C222	CU8003	Chip C, C2012Y1E104Z	CN201	UE0101	Connector, 52030-2810			
C223	CU8003	Chip C, C2012Y1E104Z	CN202	UE0100	Connector, 52030-1610			
C224	CU8003	Chip C, C2012Y1E104Z	CN203	UE0098	Connector, 52103-1017			
C225	CU3035	Chip C, CM105W5R102K						
C226	CU3061	Chip C, CM105CH271K						
C227	CU8003	Chip C, C2012Y1E104Z						
C228	CU3035	Chip C, CM105W5R102K						
C229	CU3052	Chip C, CM105W5R103K						
C233	CU3039	Chip C, CM105W5R222K						
C234	CU3035	Chip C, CM105W5R102K						
C236	CS0050	Chip Tantal C, TMC1A475TR						
C237	CS0063	Chip Tantal C, TMC1V104TR						
C238	CU3054	Chip C, CM105W5R223K						
C239	CU3056	Chip C, CM105Y5V473Z						
C240	CU3056	Chip C, CM105Y5V473Z						
C241	CU3054	Chip C, CM105W5R223K						
C242	CU3052	Chip C, CM105W5R103K						
C243	CS0049	Chip Tantal C, TMC1C105TR						
C244	CE0308	Electrolytic Chip Capacitors, 6.3V 100 μ F						
C245	CU3054	Chip C, CM105W5R223K						
C246	CU3054	Chip C, CM105W5R223K						
C247	CU3031	Chip C, CM105W5R471K						
C248	CU3031	Chip C, CM105W5R471K						
C249	CU3031	Chip C, CM105W5R471K						
C250	CE0056	Electrolytic Condenser, 16MV100SW						
C251	CU3031	Chip C, CM105W5R471K						
C252	CU3031	Chip C, CM105W5R471K						
C253	CS0049	Chip Tantal C, TMC1C105TR						
C254	CU3052	Chip C, CM105W5R103K						
C255	CU3023	Chip C, CM105CH101K						
C257	CU3060	Chip C, CM105CH221K						
C258	CU3035	Chip C, CM105W5R102K						
C259	CU3035	Chip C, CM105W5R102K						
C260	CU3031	Chip C, CM105W5R471K						
C261	CU3031	Chip C, CM105W5R471K						
C262	CS0209	Chip Tantal C, TMC0J106TR						
C263	CS0069	Chip Tantal C, TMC1V154TR						
C264	CS0209	Chip Tantal C, TMC0J106TR						
C265	CU3043	Chip C, CM105W5R472K						
C266	CU3019	Chip C, CM105CH470K						
C267	CU3052	Chip C, CM105W5R103K						
C268	CE0307	Electrolytic Chip Capacitors, 6.3V 47 μ F						
C269	CU3035	Chip C, CM105W5R102K						
C270	CU3035	Chip C, CM105W5R102K						
C271	CS0049	Chip Tantal C, TMC1C105TR						
C272	CU3035	Chip C, CM105W5R102K						
C273	CU3035	Chip C, CM105W5R102K						
C274	CU3035	Chip C, CM105W5R102K						
C275	CE0315	Electrolytic Chip Capacitors, 16V 47 μ F						
C276	CU3035	Chip C, CM105W5R102K						
C277	CS0049	Chip Tantal C, TMC1C105TR						
C278	CS0209	Chip Tantal C, TMC0J106TR						
C279	CU3035	Chip C, CM105W5R102K						
C280	CE0315	Electrolytic Chip Capacitors, 16V 47 μ F						
C281	CU3035	Chip C, CM105W5R102K						
C282	CU3035	Chip C, CM105W5R102K						
C283	CU3035	Chip C, CM105W5R102K						
C285	CU3052	Chip C, CM105W5R103K						
C286	CU3035	Chip C, CM105W5R102K						
C287	CU3035	Chip C, CM105W5R102K						
C288	CU3052	Chip C, CM105W5R103K						
C289	CU3052	Chip C, CM105W5R103K						
C290	CU3035	Chip C, CM105W5R102K						
C292	CU8003	Chip C, C2012Y1E104Z						
C293	CU8003	Chip C, C2012Y1E104Z						
C294	CE0308	Electrolytic Chip Capacitors, 6.3V 100 μ F						
C295	CU3023	Chip C, CM105CH101K						
C296	CU3060	Chip C, CM105CH221K						

■ CABINET PARTS LOCATION



UT0022

Ref. No.	Part Code		Part Name and Number.
Mechanical Parts			
	DJ-160T/E	DJ460T/E	
1	NK0019	NK0019	Volume Knob
2	NW0004	NW0004	Squelch Knob
3	NK0018	NK0018	Dial Knob
4	DP0040	DP0040	LCD Panel
5	KU0066	KU0067	Upper Panel
6	DD0007	DD0007	U/D Knob
7	FG0048	FG0048	EP Rubber
8	DV0003	DV0003	SP Metal Net
9	TG0005	TG0004	Speaker Sheet
10	KM0058	KM0058	Front Case
11	FG0047	FG0047	DC Rubber
12	NB0027	NB0027	Release Knob
13	FM0036	FM0036	IF Earth Board
14		FM0040A	LCD Earth Board
15	FG0046A	FG0046A	Silicon Key
16	ST0020	ST0020	Speaker Stabilizer
17	UT0021	UT0021	Terminal(+)
18	FM0037	FM0037	CPU Earth Board
19	ES0005	ES0005	Speaker
20	NS0002	NS0002	H/L Knob
21	DD0006	DD0006	PTT Cover
22	TS0036	TS0034	Module Shielding Wire
23	UE0029A	UE0029A	Antenna Connector
24	FM0033	FM0033	Antenna Earth Board
25	KB0030	KB0030	Rear Case
26	UT0022	UT0022	Terminal(-)
27	FM0038		LCD Earth Board

Screws		
DJ-160T/E, DJ460T/E		
1	AN0012	Dial Nut
2	AF0013	M2+4
3	AN0004	M2 Nut
4	AP0003	Self Tapping M2+16
5	AF0014	M2.6+3.5
6	AB0001	M2.6+6

■ ADJUSTMENT (DJ-160T/E)

1. Transmitting Unit (DJ-160T)

Item	Adjustment Point	Adjustment Method	Spec
1. Frequency adjustment	TC304 (RF PCB)	Set the unit in the transmission mode at 146.03MHz and adjustment TC304. (Transceiver tester, counter)	146.03MHz \pm 50Hz
2. TX Power adjustment	VR301 (RF PCB) (Hi Power) VR302 (RF PCB) (Lo Power)	Adjustment VR301 so that TX power becomes 3W at 146.03MHz. Adjustment VR302 so that TX power becomes 300mW at 146.03MHz.	3.0W \pm 0.1W 300mW \pm 50mW
3. Modulation degree adjustment	VR204 (IF PCB)	Input a signal of 1kHz/50mV into The Mic jack transmitting at 146.03MHz and adjust VR204 so that you obtain 4.7kHz/Dev in the transmission mode.	4.8kHz \pm 0.1kHz
4. Subaudible tone	VR203 (IF PCB)	Adjust 88.5kHz by VR203 so that you obtain 800Hz/Dev.	800Hz \pm 100Hz
5. DTMF.	VR205 (IF PCB)	Push [1] in the transmission mode and adjust VR203 so that you obtain 3.1kHz/Dev.	3.1kHz \pm 0.1kHz

2. Receiving Unit (DJ-160T)

Item	Adjustment Point	Adjustment Method	Spec
1. VCO P/D Voltage adjustment	L106 (VCO)	Adjust L106 so that P/D voltage is 2.0V at 146.03MHz (DC Voltmeter) in the transmission mode.	2.0V
2. Detection Coil adjustment	L202 (IF PCB)	Input 1kHz, 3.5kHz/Dev. +66dB μ at 146.05MHz and adjust L202 so that detection power becomes maximum.	
3. VHF FRONT END. adjustment	L306, L308, L309, TC305, L311, L312 (RF PCB)	At 146.03MHz and adjust L306, L308, L309, TC305, L311, and L312, so that 12dB SINAD sensitivity becomes maximum.	under -9dB μ
4. S-meter adjustment	VR202 (IF PCB)	Input a signal of 17dB μ from transceiver tester at 145.03MHz Turn VR202 so that Full-bar begins to tight.	17dB μ \pm 1dB μ

1. Transmitting Unit (DJ-160E)

Item	Adjustment Point	Adjustment Method	Spec
1. Frequency adjustment	TC304 (RF PCB)	Set the unit in the transmission mode at 145.03MHz and adjustment TC304. (Transceiver tester, counter)	145.03MHz \pm 50Hz
2. TX Power adjustment	VR301 (RF PCB) (Hi Power) VR302 (RF PCB) (Lo Power)	Adjustment VR301 so that TX power becomes 3W at 145.99MHz. Adjustment VR302 so that TX power becomes 300mW at 145.99MHz.	3.1W \pm 0.1W 300mW \pm 50mW
3. Modulation degree adjustment	VR204 (IF PCB)	Input a signal of 1kHz/50mV into The Mic jack transmitting at 145.03MHz and adjust VR204 so that you obtain 4.7kHz/Dev in the transmission mode.	4.7kHz \pm 0.1kHz
4. Subaudible tone	VR203 (IF PCB)	Transmit at 145.03MHz and adjust VR203 to obtain a frequency modulation of 3.0kHz, making sure that tone burst 1750Hz within a range of 1750Hz \pm 20Hz.	3.0kHz \pm 0.5kHz
5. DTMF	VR205 (IF PCB)	Push <input type="checkbox"/> in the transmission mode and adjust VR205 so that you obtain 3.1kHz/Dev.	3.1kHz \pm 0.1kHz

2. Receiving Unit (DJ-160E)

Item	Adjustment Point	Adjustment Method	Spec
1. VCO P/D Voltage adjustment	L106 (VCO)	Adjust L106 so that P/D Voltage is 2.0V at 145.03MHz (DC Voltmeter) in the transmission mode.	2.0V \pm 0.1V
2. Detection Coil adjustment	L202 (IF PCB)	Input 1kHz, 3.5kHz/Dev. +66dB μ at 145.03MHz and adjust L202 so that detection power becomes maximum.	
3. VHF FRONT END adjustment	L306, L308, L309, TC305, L311, L312 (RF PCB)	At 145.95MHz and adjust L306, L308, L309, TC305, L311, and L312, so that 12dB SINAD sensitivity becomes maximum.	under -9dB μ
4. S-meter adjustment	VR202 (IF PCB)	Input a signal of 17dB μ from transceiver tester at 145.95MHz Turn VR202 so that Full-bar begins to light.	17dB μ \pm 1dB μ

■ ADJUSTMENT (DJ-460T/E)

1. Transmitting Unit (DJ-460T)

Item	Adjustment Point	Adjustment Method	Spec
1. Frequency adjustment	TC307 (RF PCB)	Set the unit in the transmission mode at 445.03MHz and adjustment TC307. (Transceiver tester, counter)	445.03MHz \pm 50Hz
2. TX Power adjustment	VR301 (RF PCB) (Hi Power) VR302 (RF PCB) (Lo Power)	Adjustment VR301 so that TX power becomes 3.1W at 445.03MHz. Adjustment VR302 so that TX power becomes 300mW at 445.03MHz.	3.1W \pm 0.1W 300mW \pm 50mW
3. Modulation degree adjustment	VR204 (IF PCB)	Input a signal of 1kHz/50mV into The Mic jack transmitting at 445.03MHz and adjust VR204 so that you obtain 4.7kHz/Dev in the transmission mode.	4.7kHz \pm 0.1kHz
4. Subaudible tone	VR203 (IF PCB)	Adjust 88.5kHz by VR203 so that you obtain 800Hz/Dev.	800Hz \pm 100Hz
5. DTMF	VR205 (IF PCB)	Push [1] in the transmission mode and adjust VR205 so that you obtain 3.1kHz/Dev.	3.1kHz \pm 0.1kHz

2. Receiving Unit (DJ-460T)

Item	Adjustment Point	Adjustment Method	Spec
1. VCO P/D Voltage adjustment	TX—L105 RX—L103	Adjust L105 so that P/D Voltage is 1.2V at 440.00MHz (DC Voltmeter) in the transmission mode. Adjust L103 so that P/D Voltage is 1.9V at 440.00MHz (DC Voltmeter) in the reception mode.	1.2V \pm 0.3V 1.9V \pm 0.3V
2. Detection Coil adjustment	L202 (IF PCB)	Input 1kHz, 3.5kHz/Dev. +66dB μ at 445.03MHz and adjust L202 so that detection power becomes maximum.	
3. UHF FRONT END adjustment	TC301, TC302, TC303, L305, L306	At 445.03MHz and adjust TC301, TC302, TC303, L305 and L306, so that 12dB SINAD sensitivity becomes maximum.	under -9dB μ
4. S-meter adjustment	VR202 (IF PCB)	Input a signal of 6dB μ from transceiver tester at 445.03MHz Turn VR202 so that Full-bar begins to right.	6dB μ \pm 1dB μ

1. Transmitting Unit (DJ-460E)

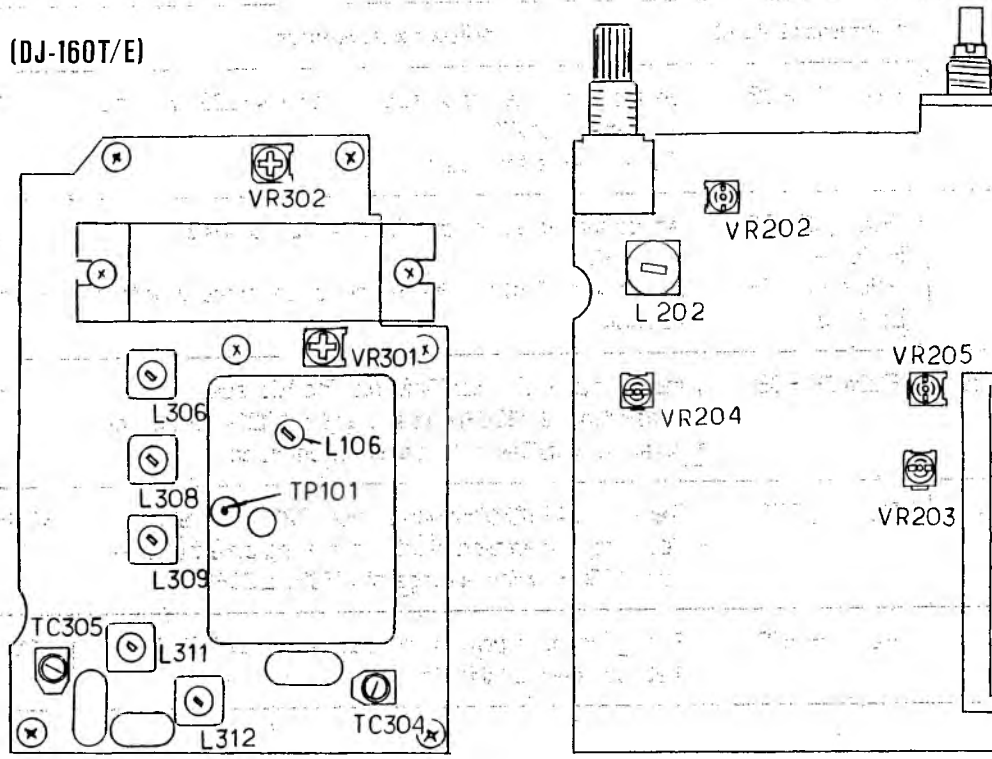
Item	Adjustment Point	Adjustment Method	Spec
1. Frequency adjustment	TC307 (RF PCB)	Set the unit in the transmission mode at 435.03MHz and adjustment TC307. (Transceiver tester, counter)	435.03MHz \pm 50Hz
2. TX Power adjustment	VR301 (RF PCB) (Hi Power) VR302 (RF PCB) (Lo Power)	Adjustment VR301 so that TX power becomes 3.1W at 435.03MHz. Adjustment VR302 so that RX power becomes 300mW at 435.03MHz.	3.1W \pm 0.1W 300mW \pm 50mW
3. Modulation degree adjustment	VR204 (IF PCB)	Input a signal of 1kHz/50mV into The Mic jack transmitting at 435.03MHz and adjust VR204 so that you obtain 4.7kHz/Dev in the transmission mode.	4.7kHz \pm 0.1kHz
4. Subaudible tone	VR203 (IF PCB)	Transmit at 435.03MHz and adjust VR203 to obtain a frequency modulation of 3.0kHz, making sure that tone burst 1750Hz within a range of 1750Hz \pm 20Hz.	3.0kHz \pm 0.5kHz
5. DTMF	VR205 (IF PCB)	Push [1] in the transmission mode and adjust VR205 so that you obtain 3.1kHz/Dev.	3.1kHz \pm 0.1kHz

2. Receiving Unit (DJ-460E)

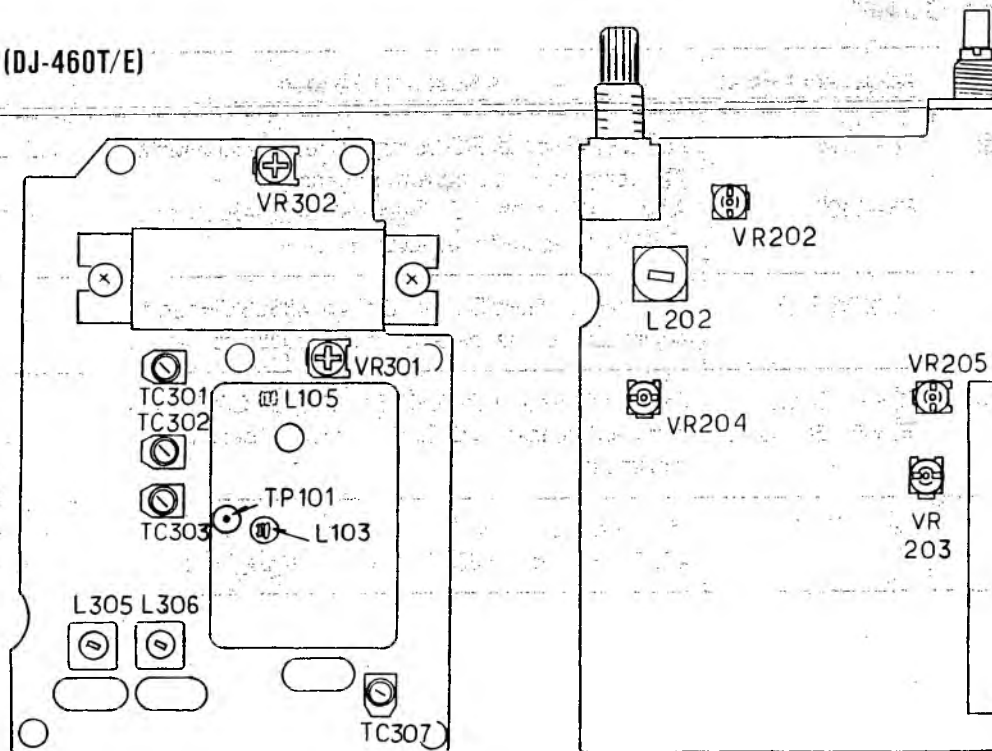
Item	Adjustment Point	Adjustment Method	Spec
1. VCO P/D Voltage adjustment	TX—L105 RX—L103	Adjust L105 so that P/D Voltage is 0.8V at 430.00MHz (DC Voltmeter) in the transmission mode. Adjust L103 so that P/D Voltage is 1.3V at 430.00MHz (DC Voltmeter) in the reception mode.	0.8V \pm 0.3V 1.3V \pm 0.1V
2. Detection Coil adjustment	L202 (IF PCB)	Input 1kHz, 3.5kHz/Dev. +66dB μ at 435.03MHz and adjust L202 so that detection power becomes maximum.	
3. UHF FRONT END adjustment	TC301, TC302, TC303, L305, L306	At 435.03MHz and adjust TC301, TC302, TC303, L305 and L306, so that 12dB SINAD sensitivity becomes maximum.	under -9dB μ
4. S-meter adjustment	VR202 (IF PCB)	Input a signal of +6dB μ from transceiver tester at 435.03MHz Turn VR202 so that Full-bar begins to right.	+6dB μ \pm 1dB μ

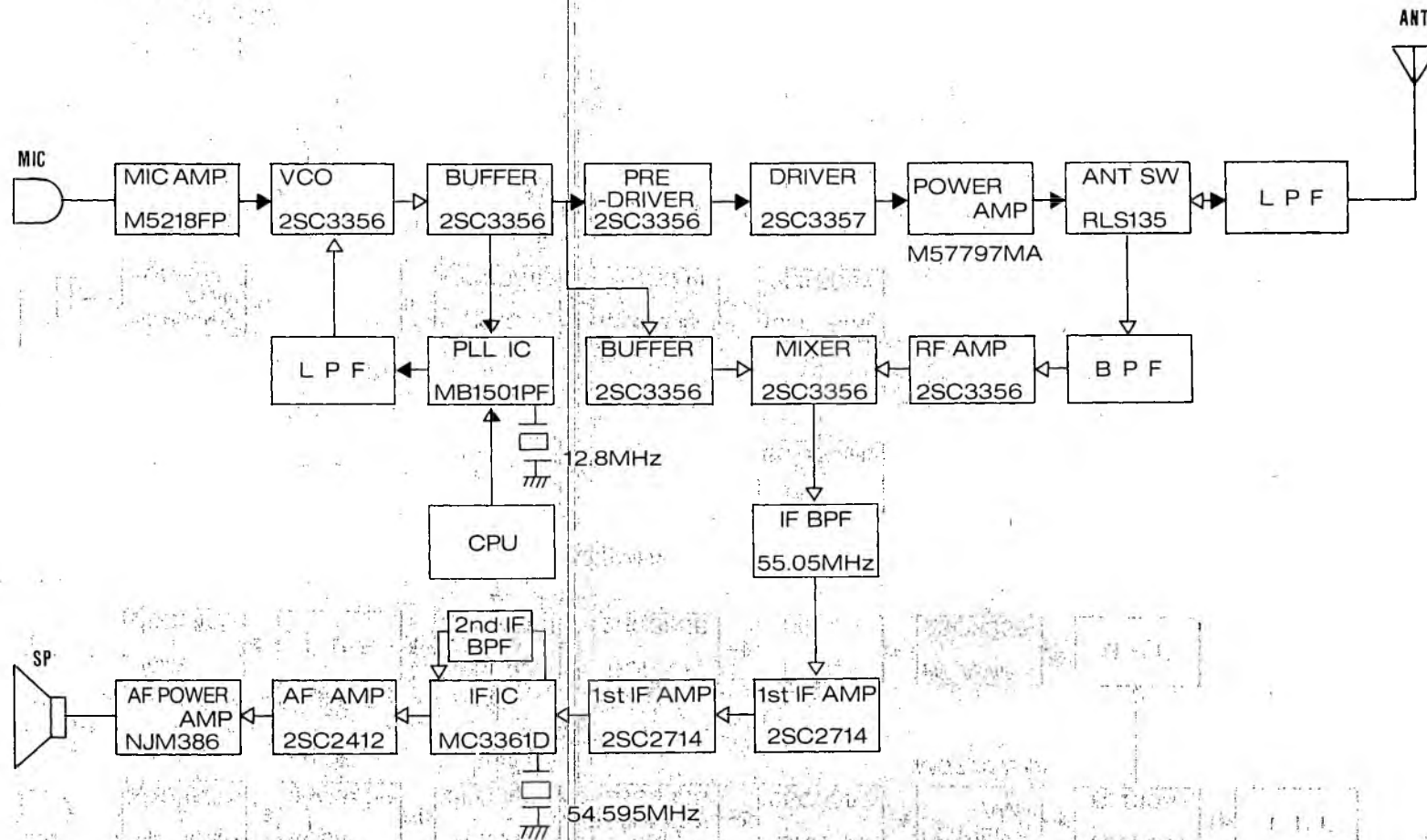
■ ADJUSTMENT

(DJ-160T/E)



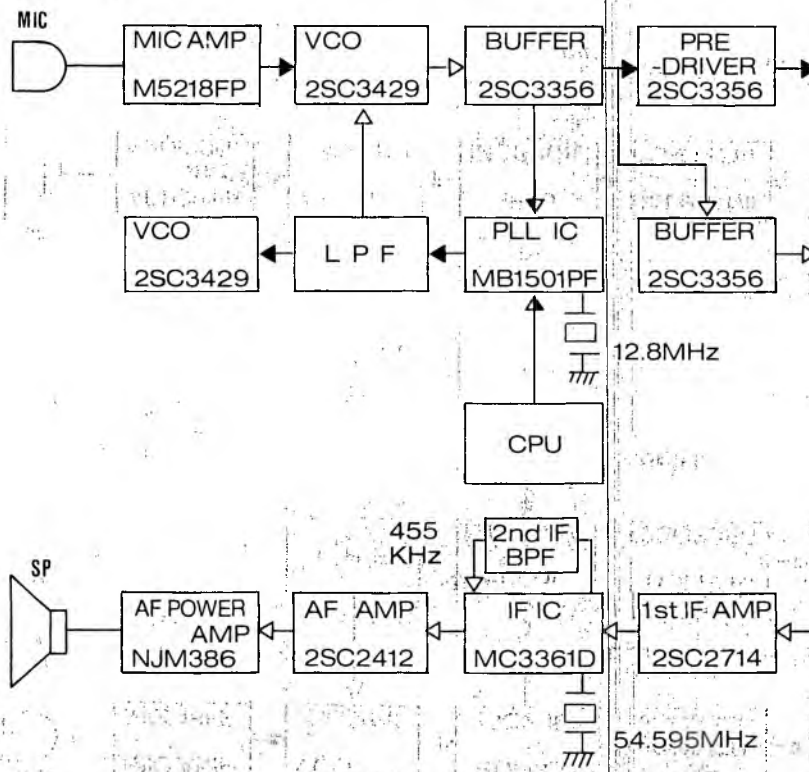
(DJ-460T/E)



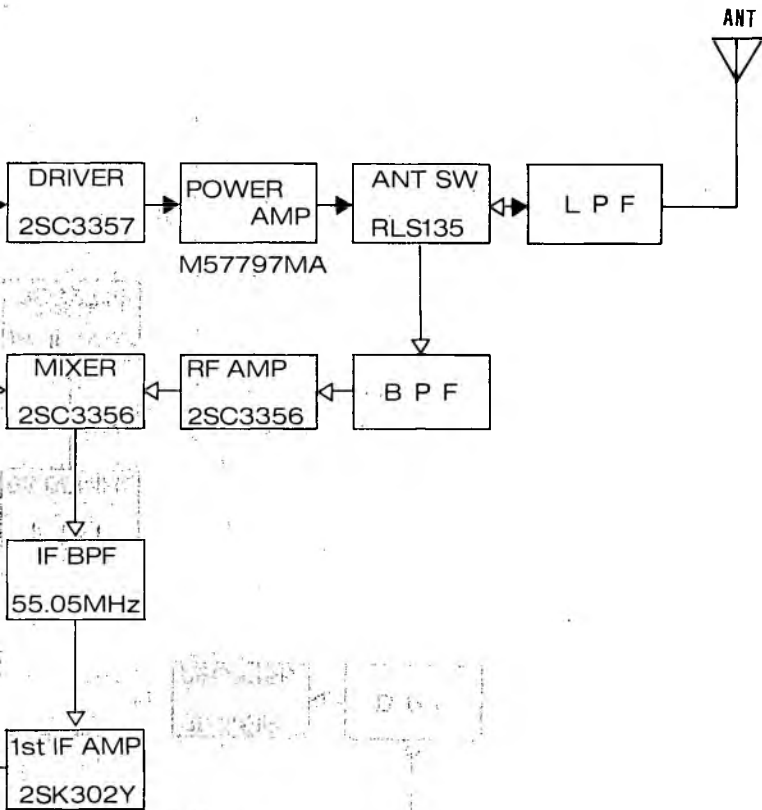


■ BLOCK DIAGRAM (DJ-160T/E)

→ RECEIVE
 → TRANSMIT
 ↔ COMMON

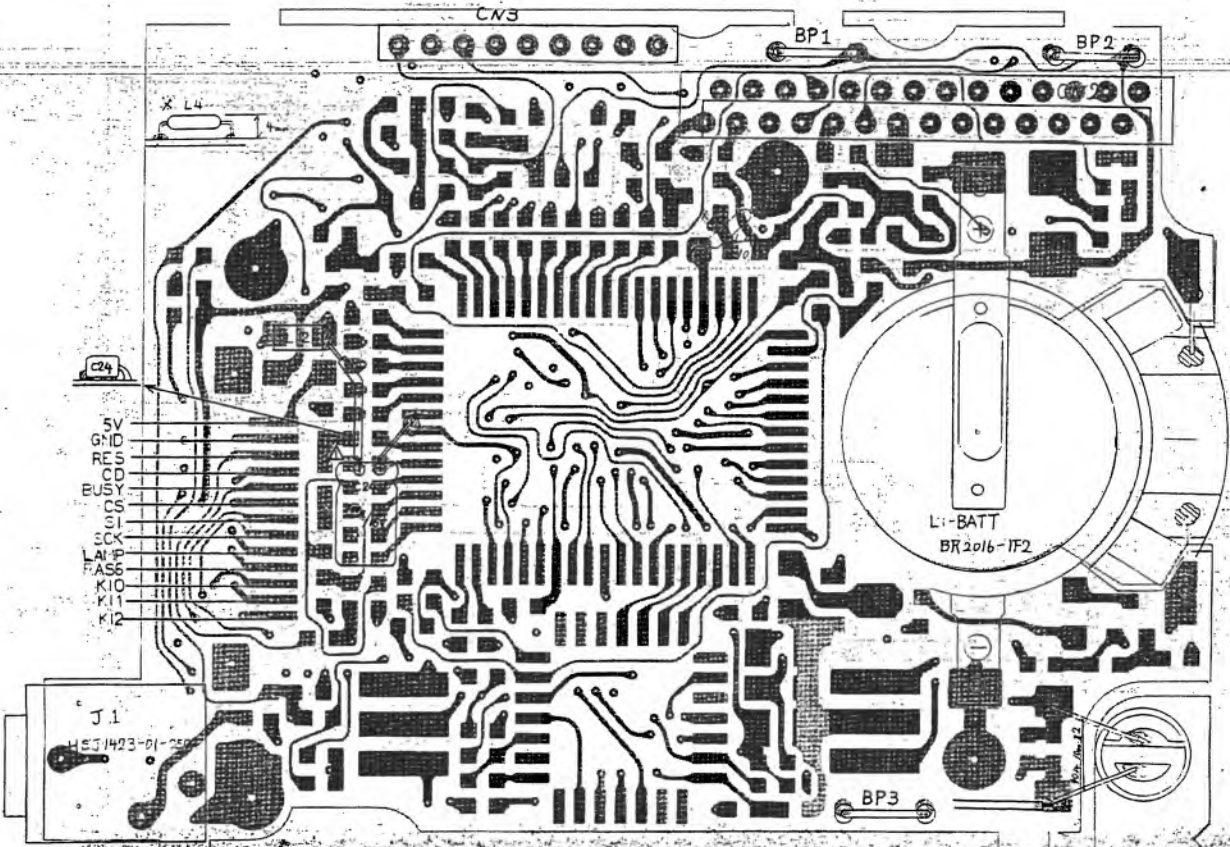
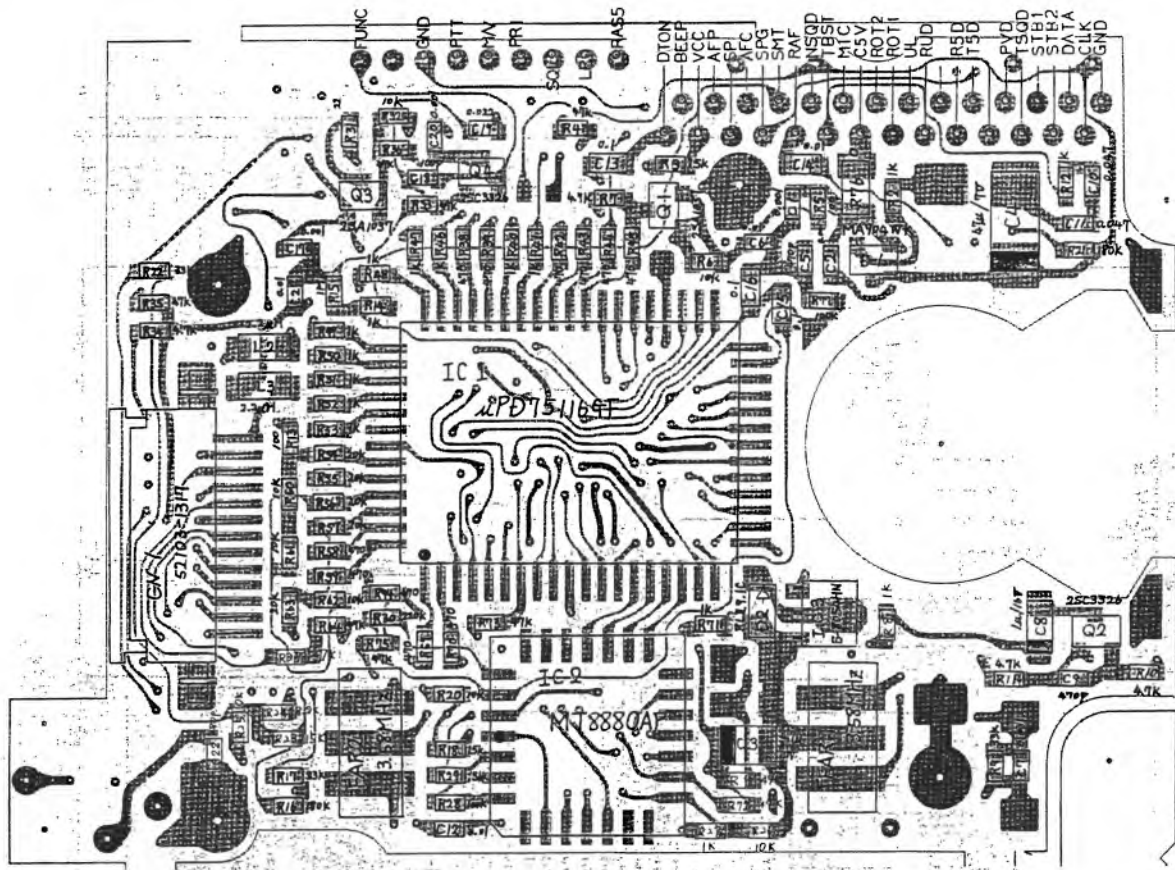


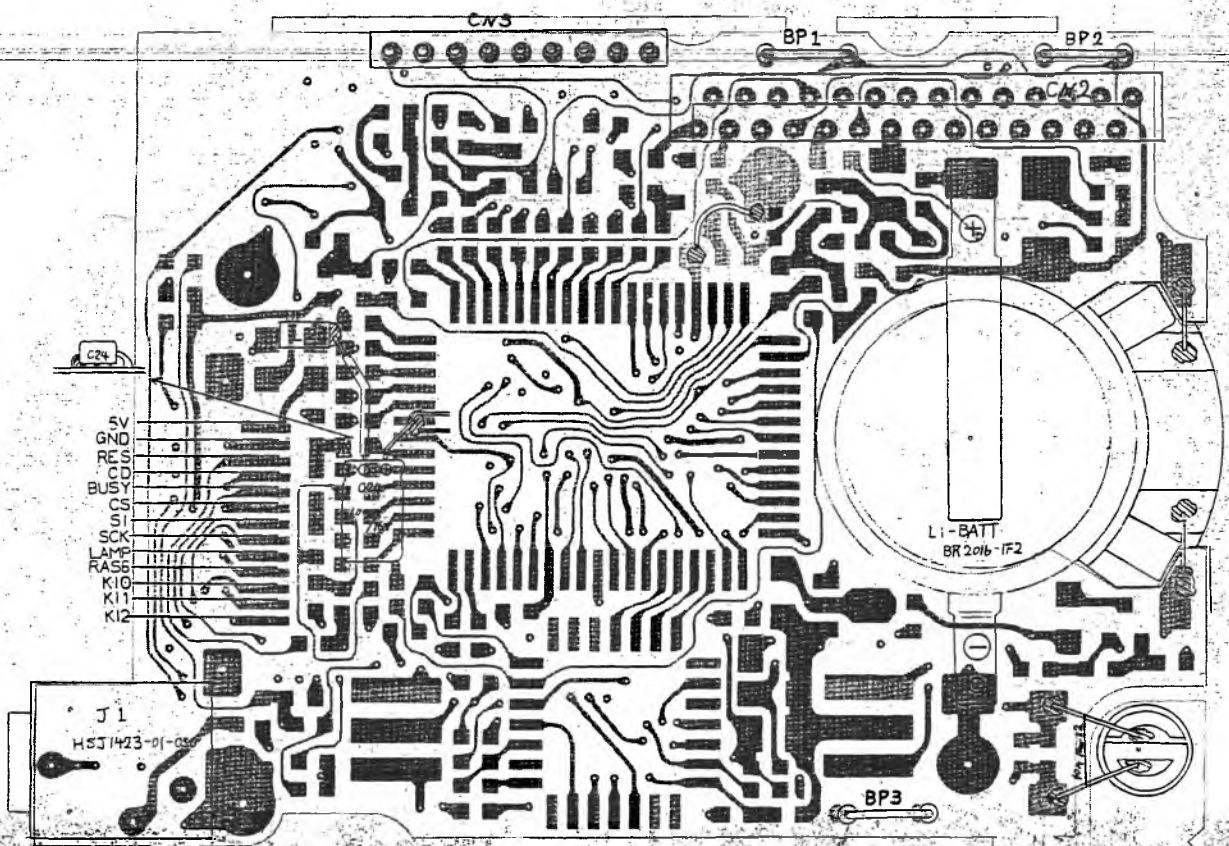
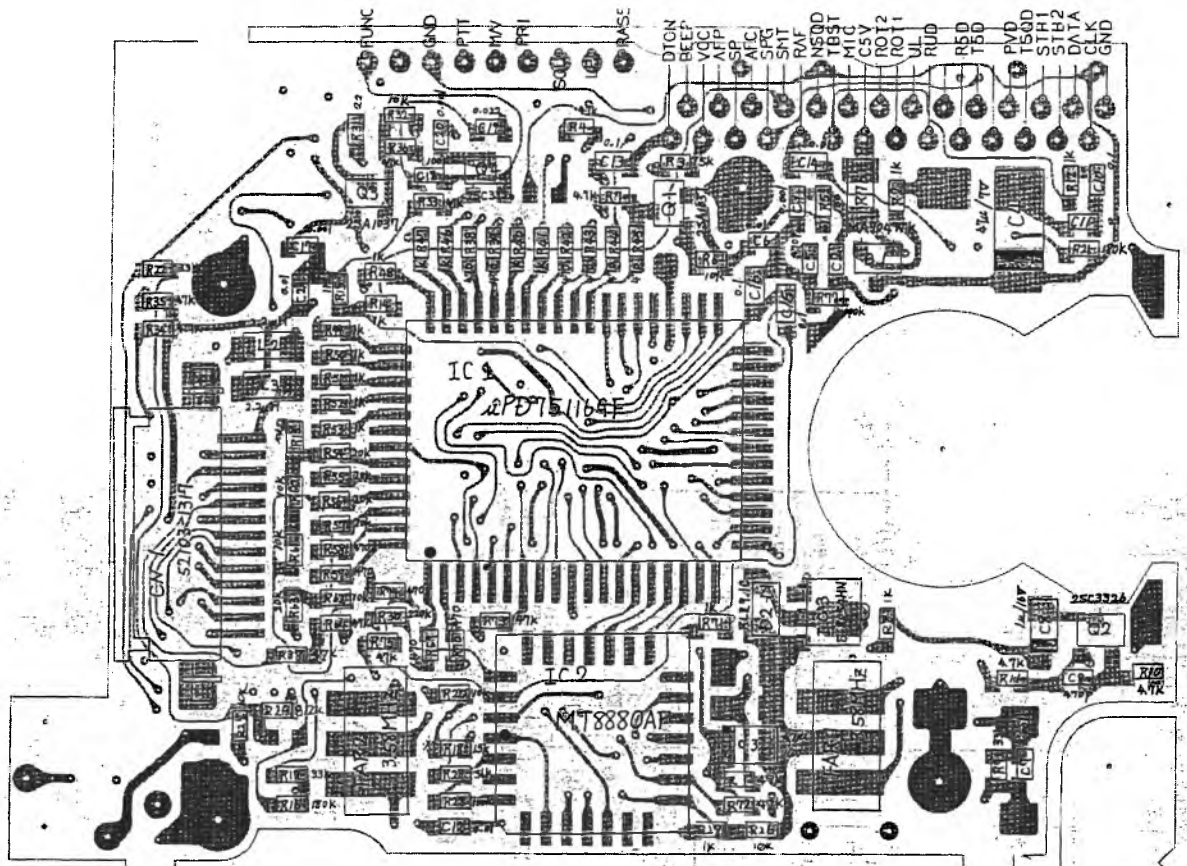
■ BLOCK DIAGRAM (DJ-460T/E)



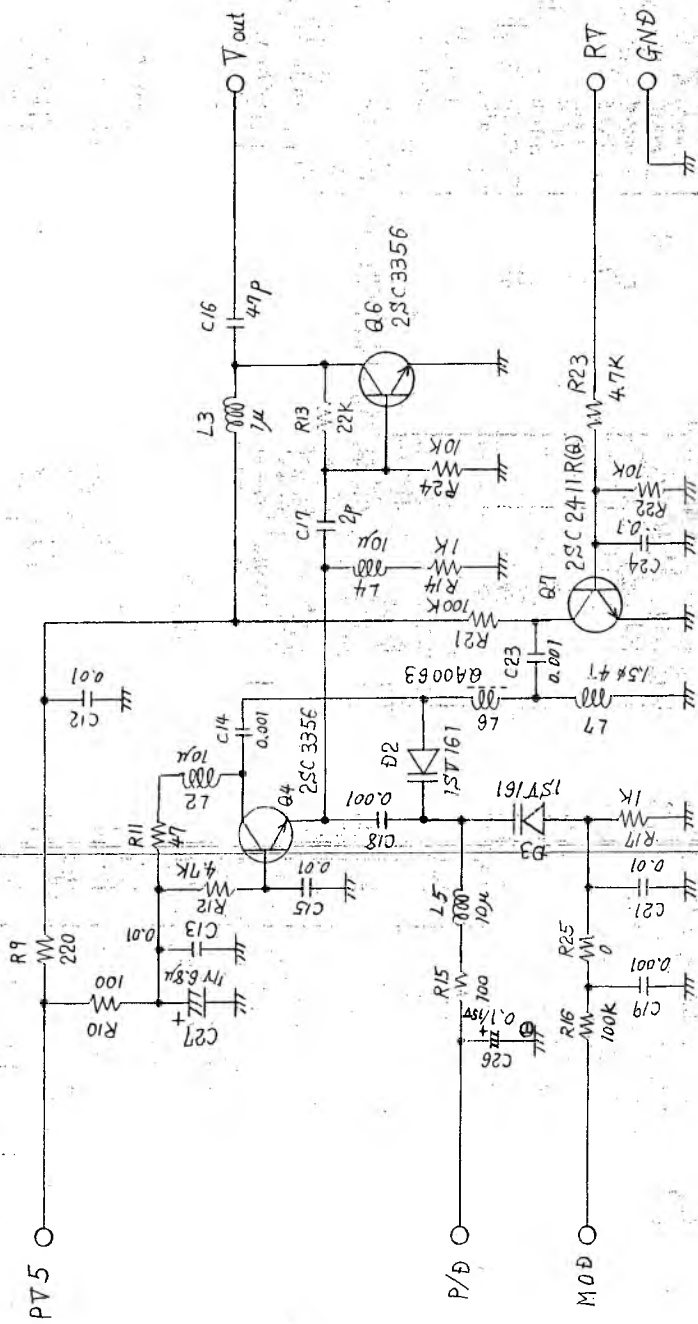
■ CPU PC BOARDS (DJ-160T/E) (DJ-460T/E)

DATE: 1984.02.28



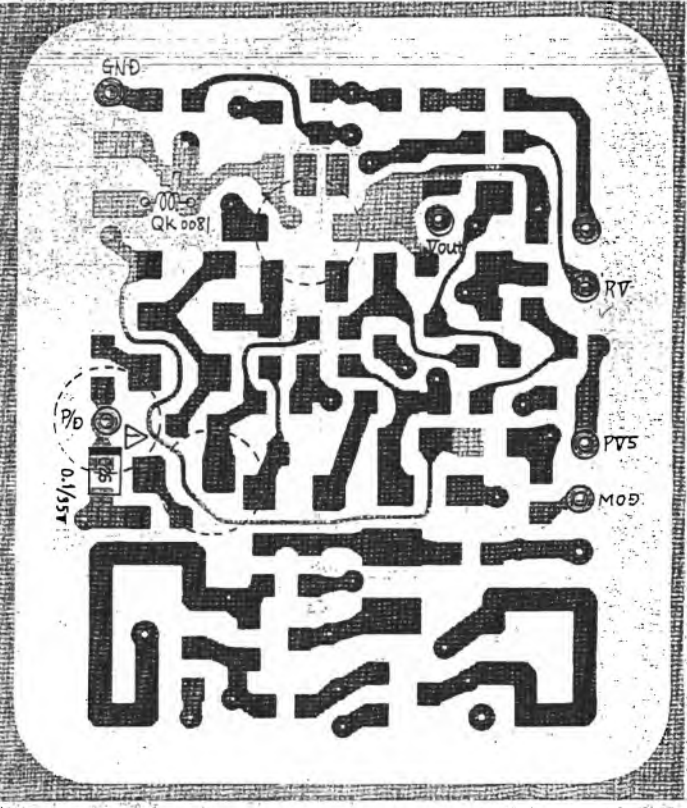
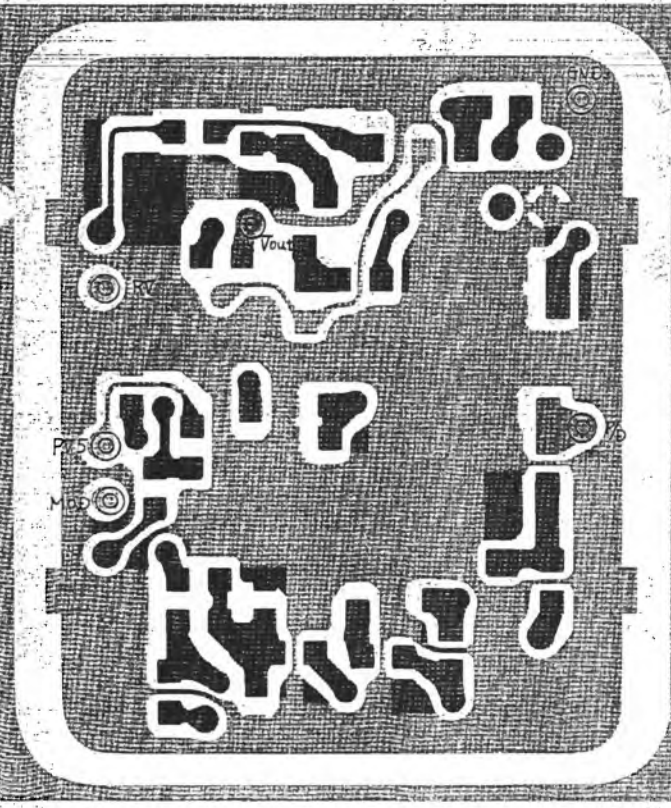
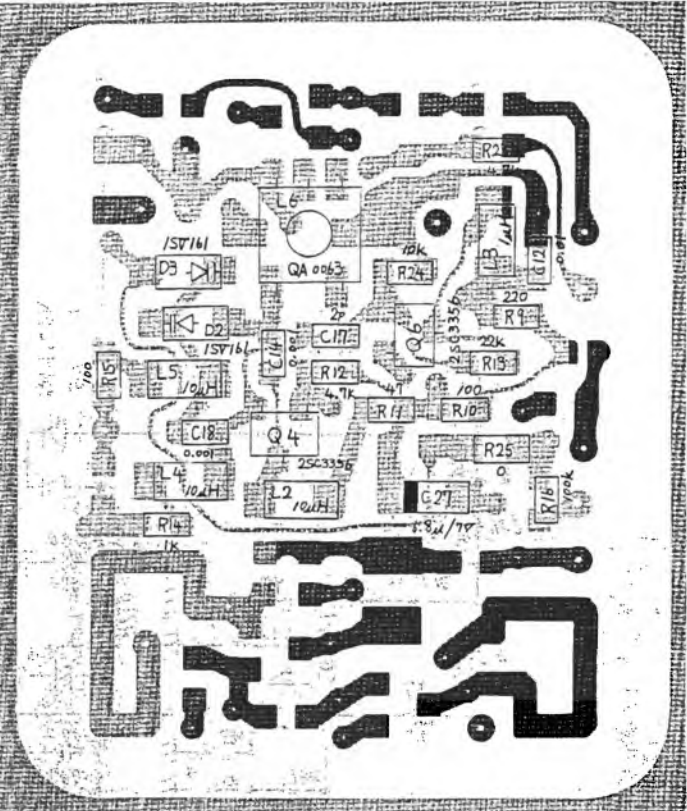
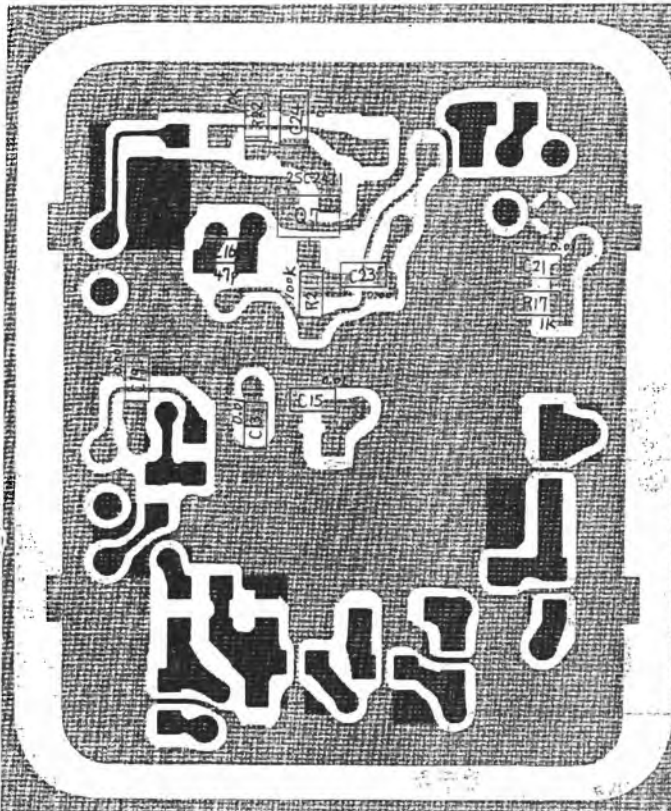


■ SCHEMATIC DIAGRAM OF VCO UNIT (DJ-160T/E)

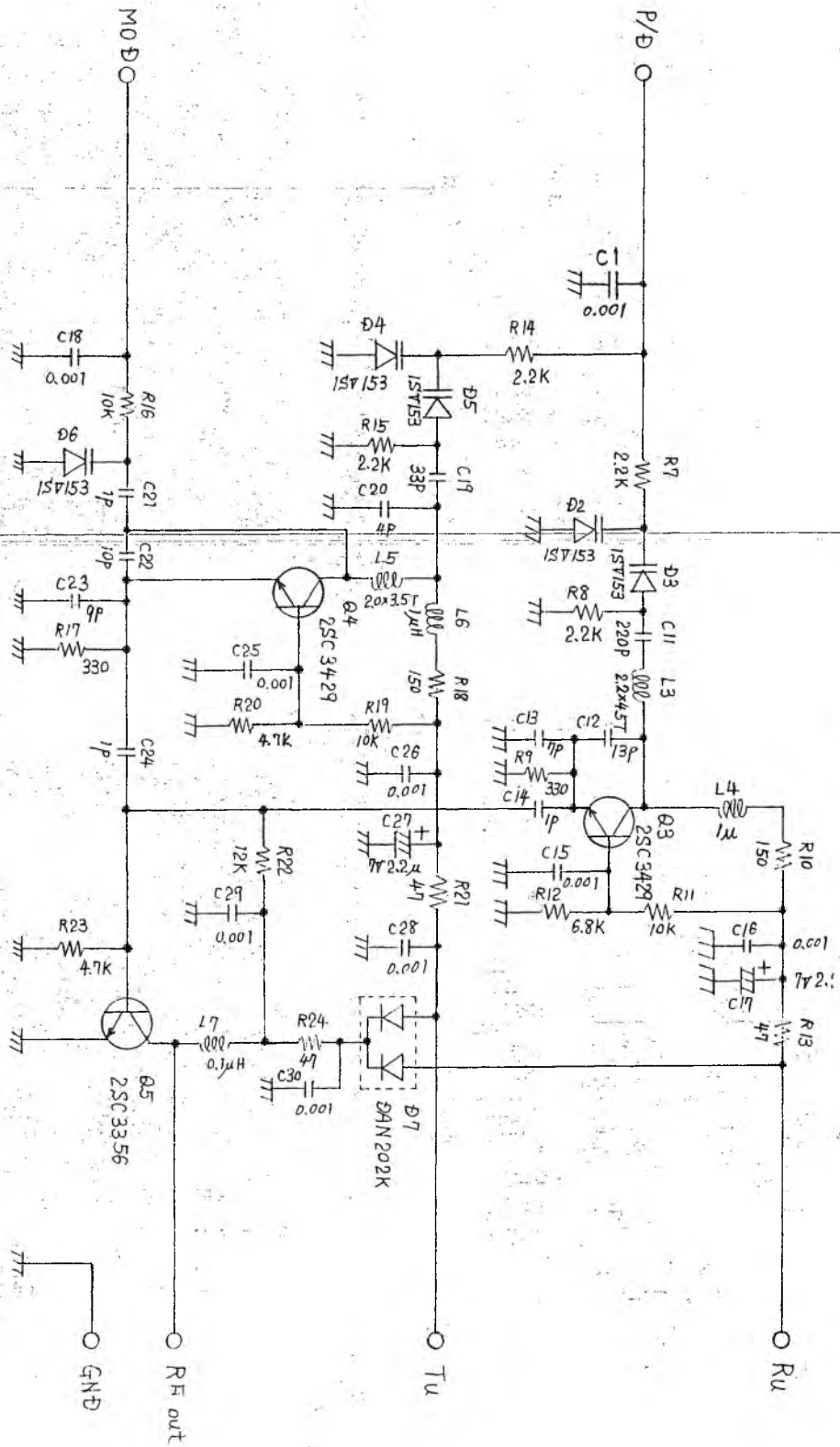


■ VCO PC BOARDS (DJ-160T/E)

1 2 3 4 5 6 7 8 9 10 11 12 13 14 15 16 17 18 19 20 21 22 23 24 25 26 27 28 29 30 31 32 33 34 35 36 37 38 39 40 41 42 43 44 45 46 47 48 49 50 51 52 53 54 55 56 57 58 59 60 61 62 63 64 65 66 67 68 69 70 71 72 73 74 75 76 77 78 79 80 81 82 83 84 85 86 87 88 89 90 91 92 93 94 95 96 97 98 99 100



■ SCHEMATIC DIAGRAM OF VCO UNIT (DJ-460T/E)



SCHEMATIC DIAGRAM OF RF UNIT (DJ-460T/E)

