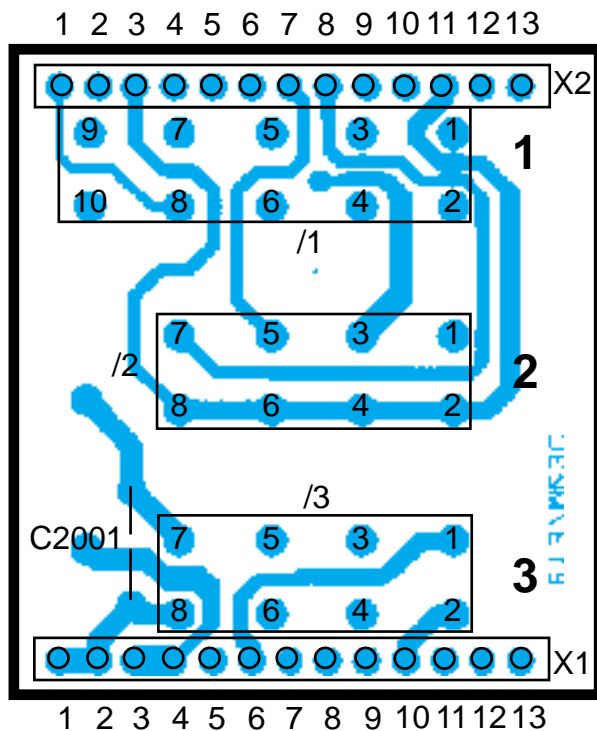


Schaltbild • Circuit diagram

Kontakt-Platte
Connector board
PL 8137 A03



X1
1 = GND
2 = GND
3 = +14V
4 = +14V
5 = AUTO A
6 = NC
7 = DIM
8 = NC
9 = REM GND
10 = REM1
11 = NC
12 = NC
13 = NC

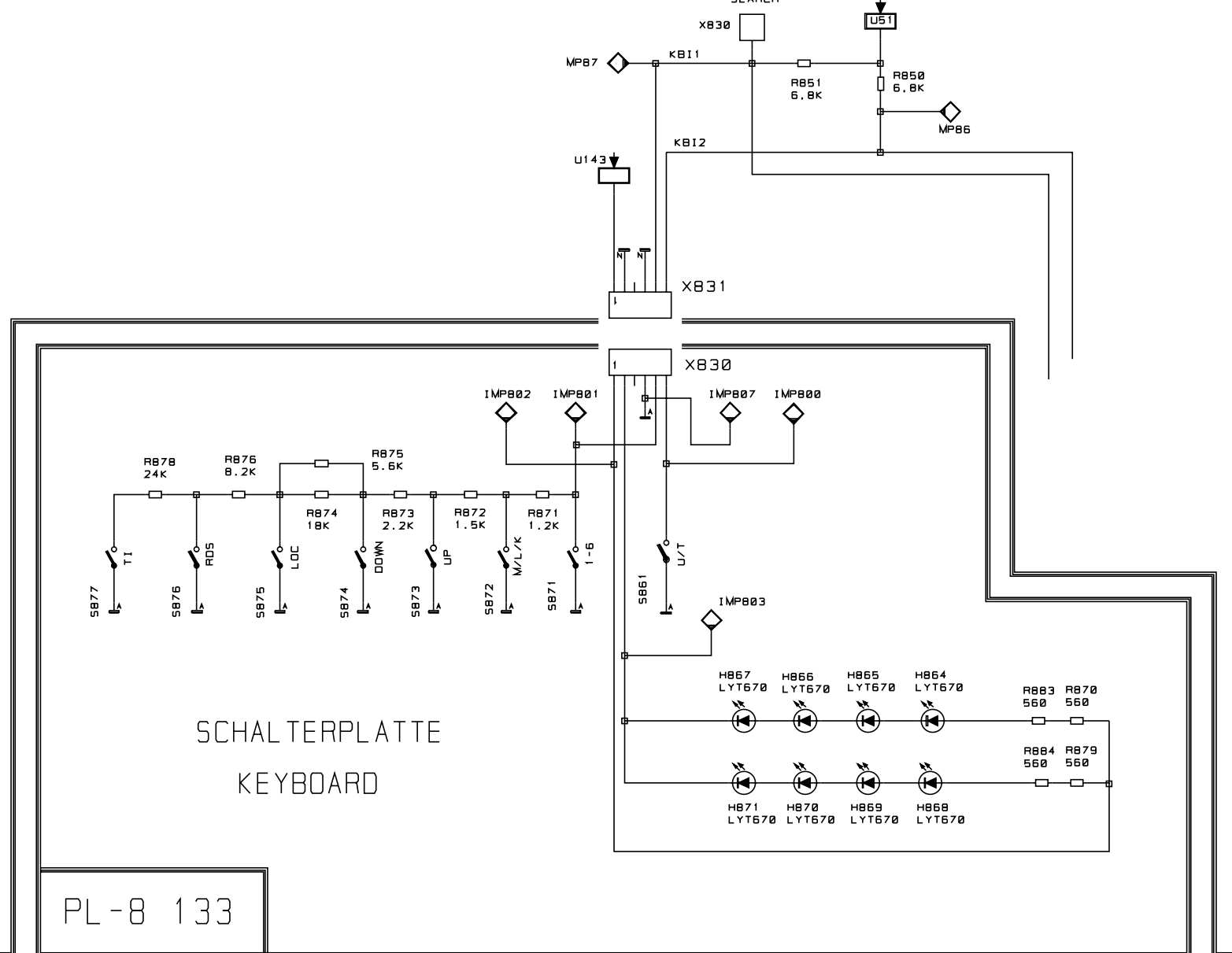
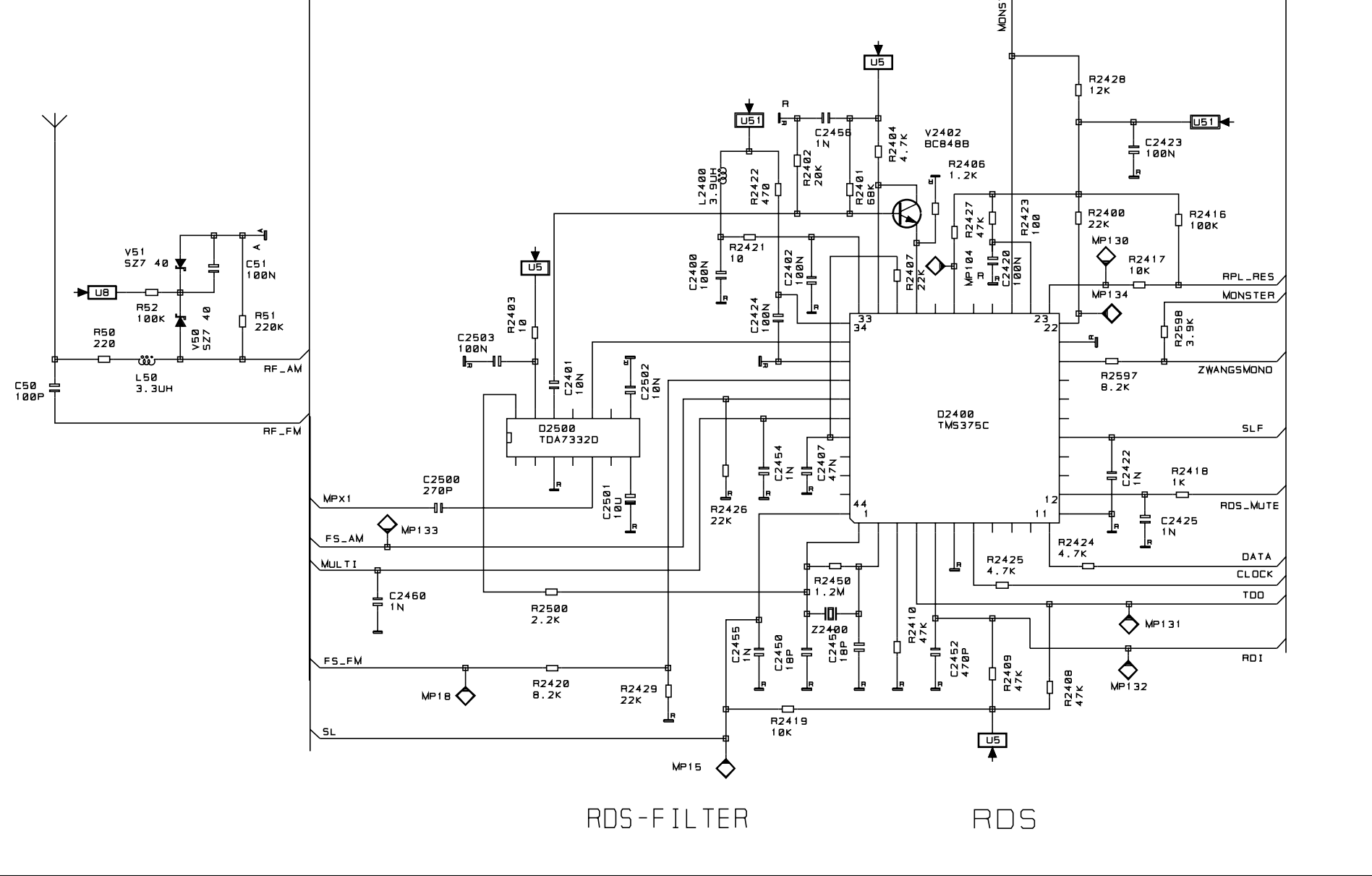
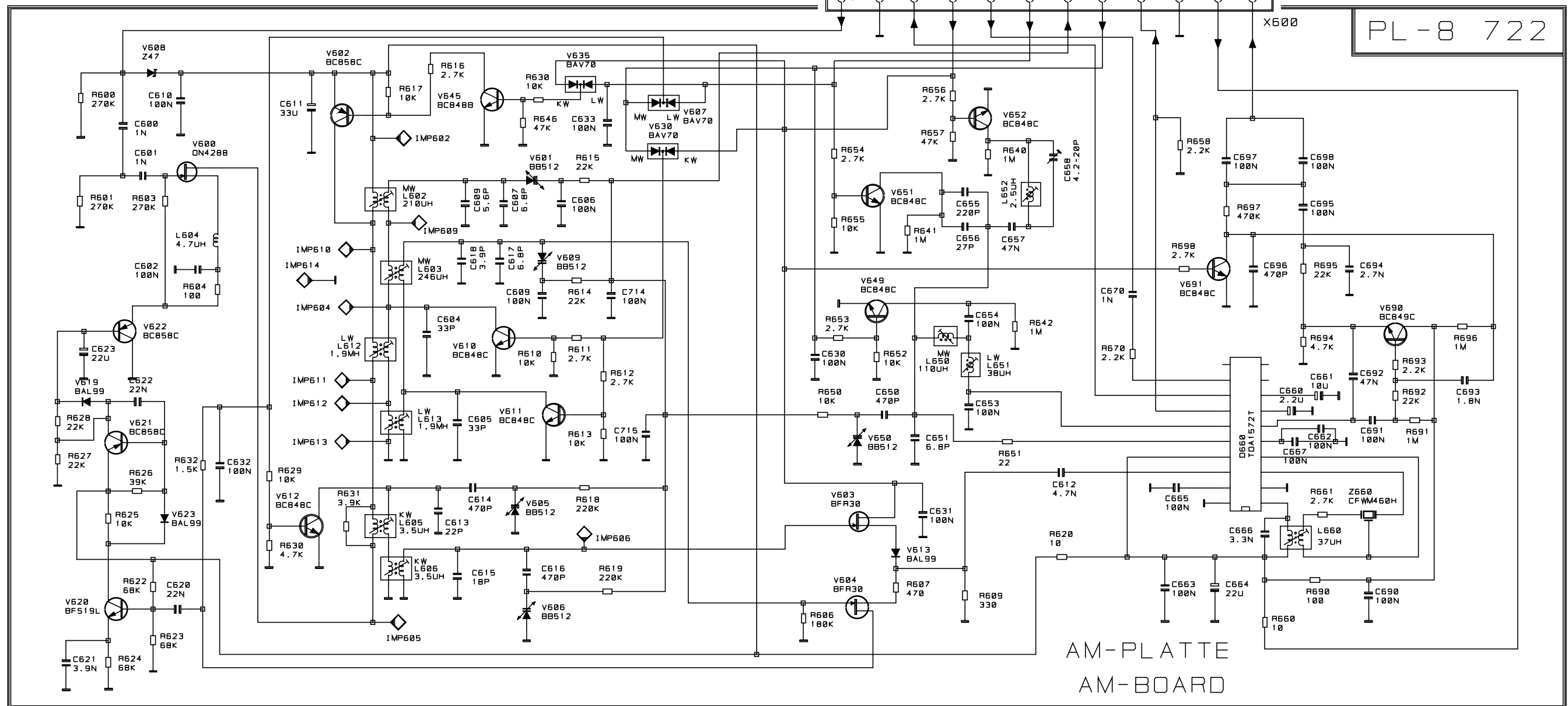
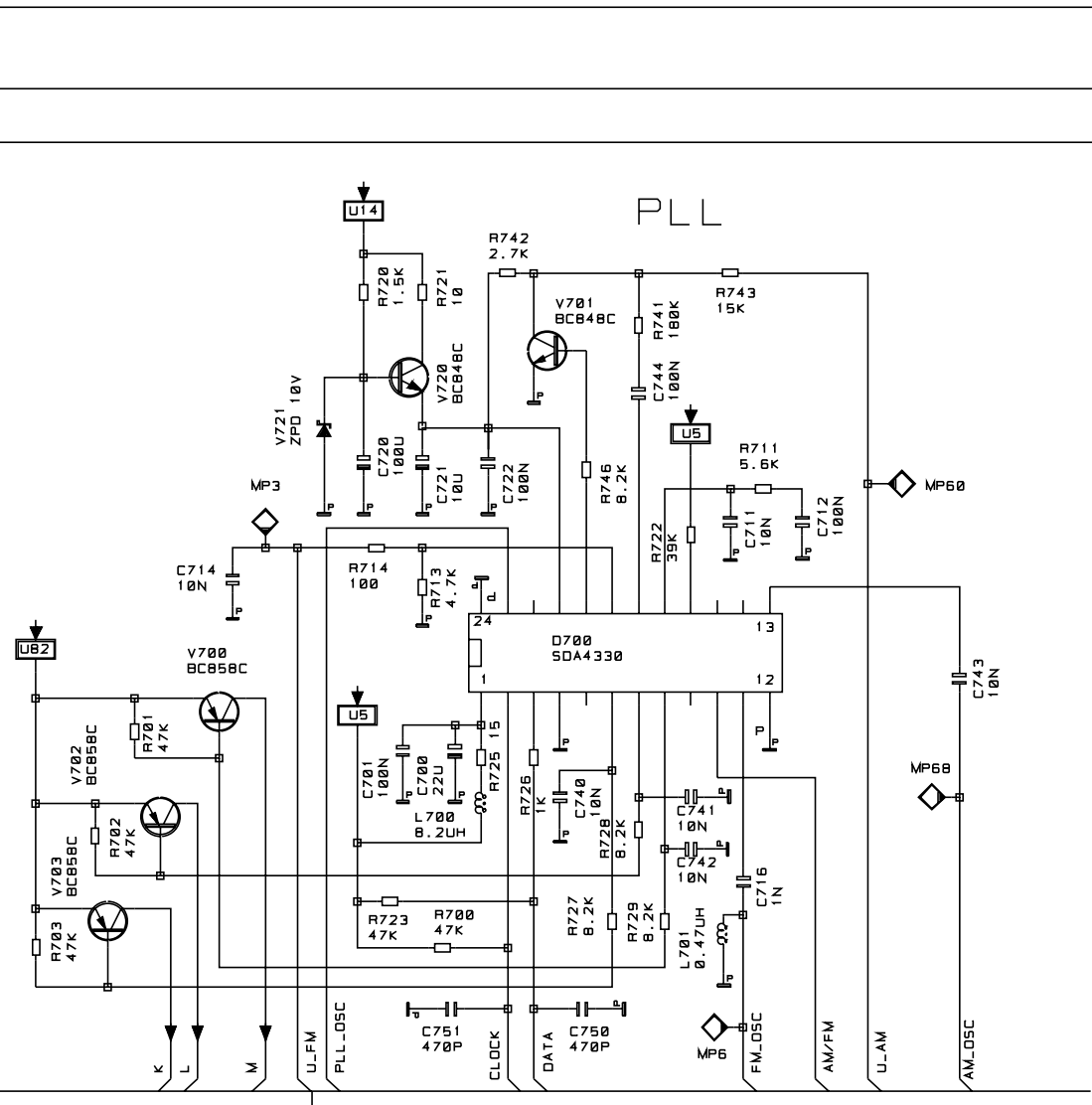
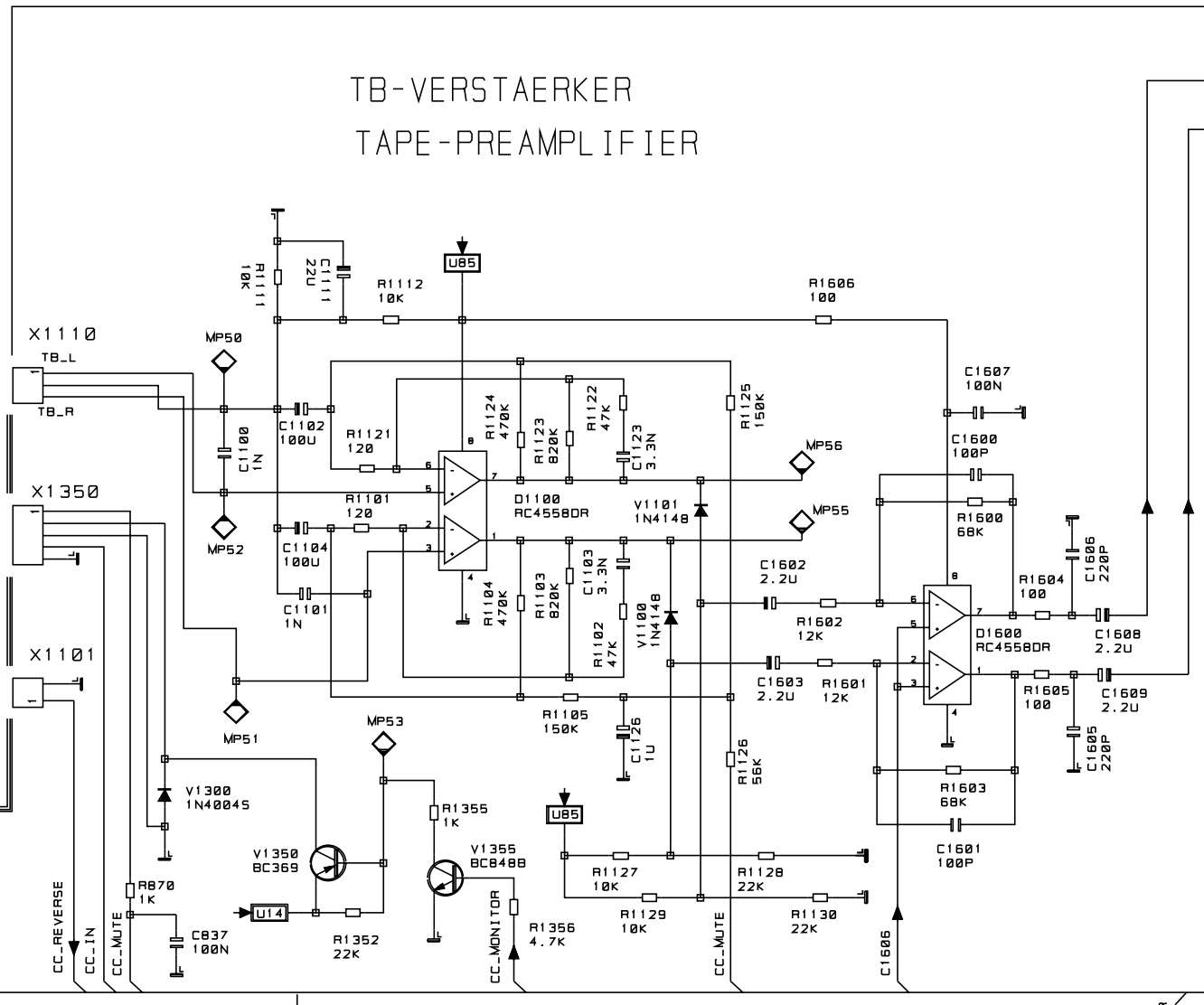
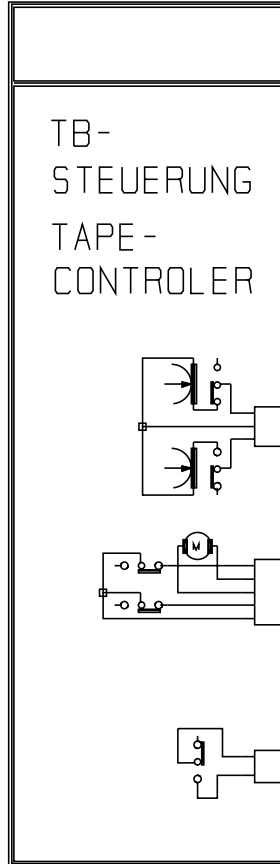
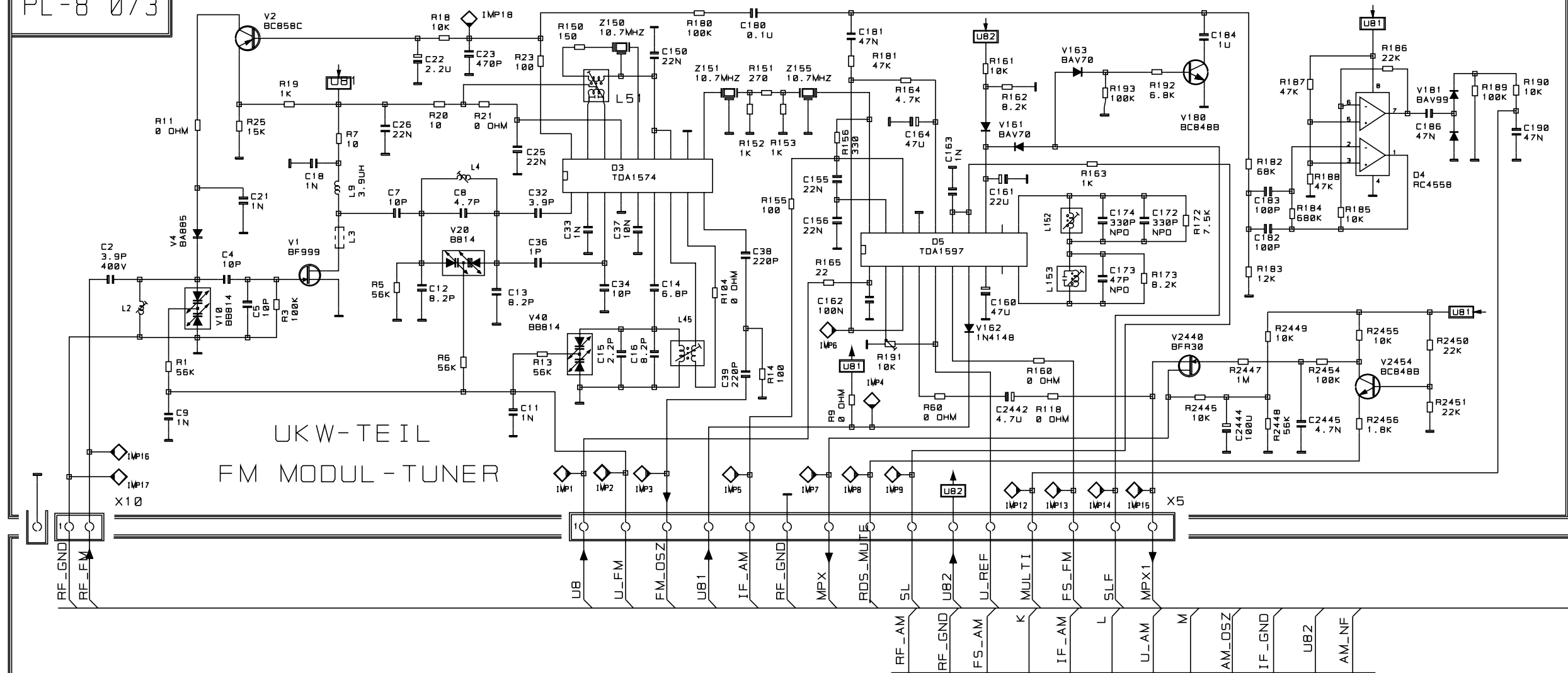
X2
1 = OPTION-SEARCH
2 = DK/WT
3 = OPTION-GND
4 = NC
5 = NC
6 = RAD-R+
7 = RAD-L+
8 = TAP-L+
9 = TAP-R+
10 = NC
11 = T-R-GD
12 = SDA
13 = SCL

1
1 = SDA
2 = SCL
3 = GND
4 = GND
5 = +14V
6 = +14V
7 = DK/WT
8 = OPTION-SEARCH
9 = NC
10 = NC

2
1 = TAP-R+
2 = OPTION-GND
3 = RAD-R+
4 = T-R-GD
5 = RAD-L+
6 = T-R-GD
7 = TAP-L+
8 = OPTION-GND

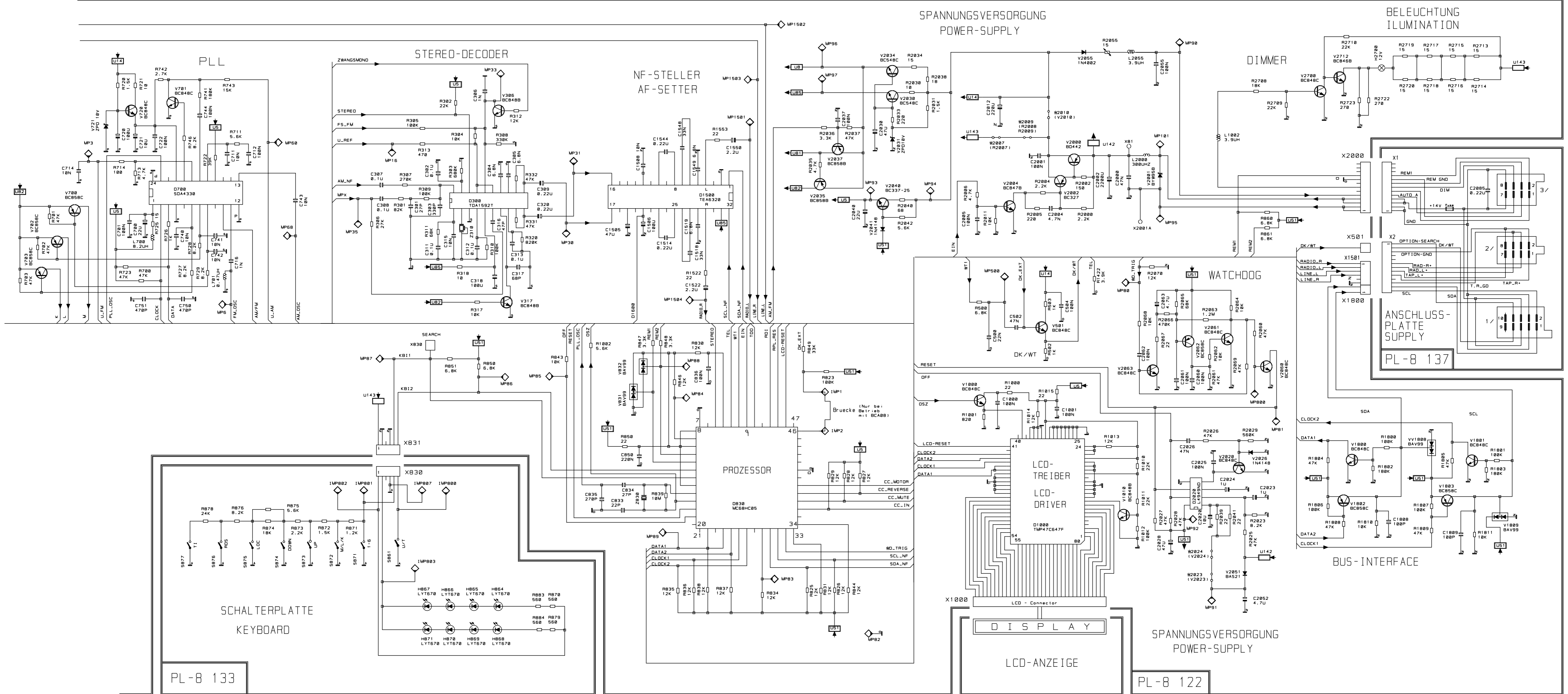
3
1 = NC
2 = REM1
3 = REM GND
4 = NC
5 = AUTO A
6 = NC
7 = +14V
8 = GND

PL-8 073



PL-8 722

PL-8 133



PL-8 133

PL-8 122

ANSCHLUSS-
PLATTE
SUPPLY
PL-8 137

SPANNUNGSVERSORGUNG
POWER-SUPPLY
PL-8 122

LCD-ANZEIGE

DISPLAY

LCD-TREIBER
LCD-DRIVER

PROZESSOR

SCHALTERPLATTE
KEYBOARD

BUS-INTERFACE

ANSCHLUSS-
PLATTE
SUPPLY
PL-8 137

WATCHDOG

DIMMER

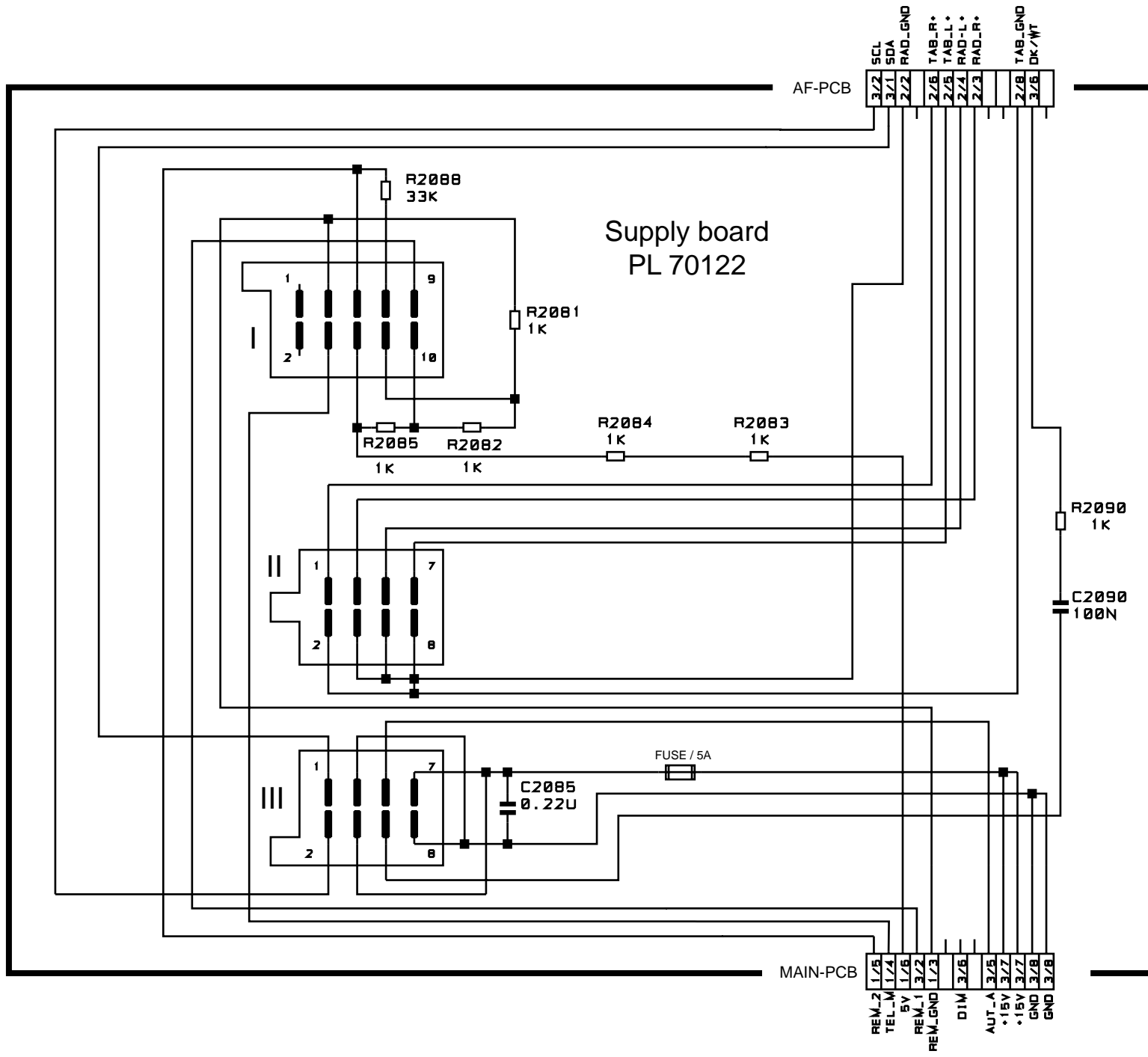
BELEUCHTUNG
ILLUMINATION

SPANNUNGSVERSORGUNG
POWER-SUPPLY

NF-STELLER
AF-SETTER

STEREO-DECODER

PLL



Hauptplatte
Main board
PL 8118 A09

X600		
1 = RF-AM	5 = IF-AM	9 = AM-OSZ
2 = RF-GND	6 = LW	10 = IF-GND
3 = FS-AM	7 = U-AM	11 = U82
4 = KW	8 = MW	12 = AM-NF

X5
1 = U8
2 = U-FM
3 = FM-OSZ
4 = U81
5 = IF-AM
6 = RF-GND
7 = MPX
8 = RDS-MUTE
9 = SL
10 = U82
11 = U-REF
12 = MULTI
13 = FS-FM
14 = SLF
15 = MPX1

X10
1 = RF-GND
2 = RF-FM

X1101
1 = CC-REVERSE
2 = GND

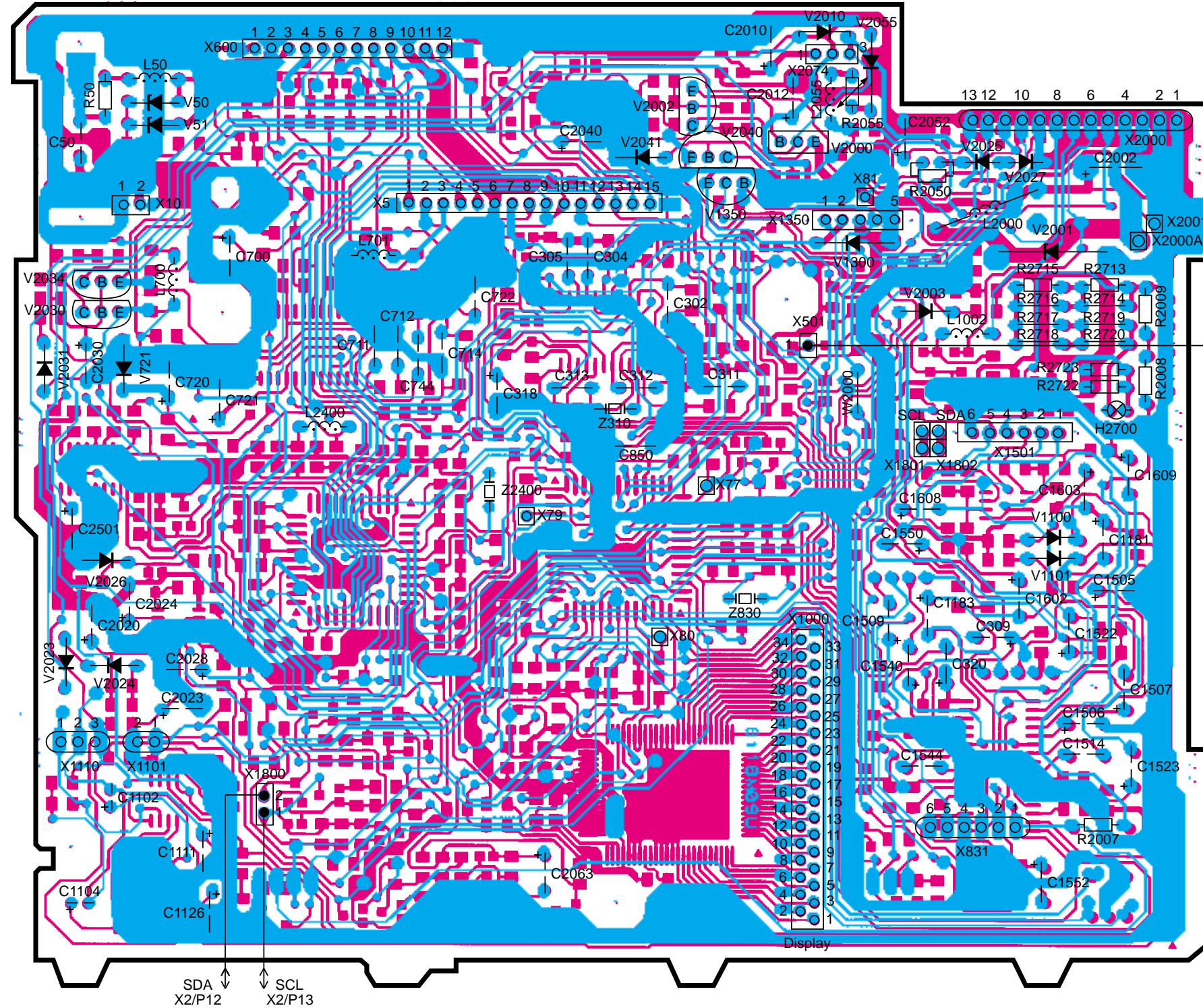
X1110
1 = TB - L
2 = GND
3 = TB - R

X2000
1+2 = GND
3+4 = UB +12V
5 = AA
7 = ILLUMINATION
9 = GND
10 = REM1

X1350
1 = CC-MUTE
2 = +12V-MOTOR
3 = GND
4 = CC-IN
5 = GND

X1501
1 = RADIO-R
2 = RADIO-L
3 = Tape-L
4 = Tape-R
5 = NC
6 = GND

X831
1 = U143
2 = GND
3 = GND
4 = KB11
5 = KB12

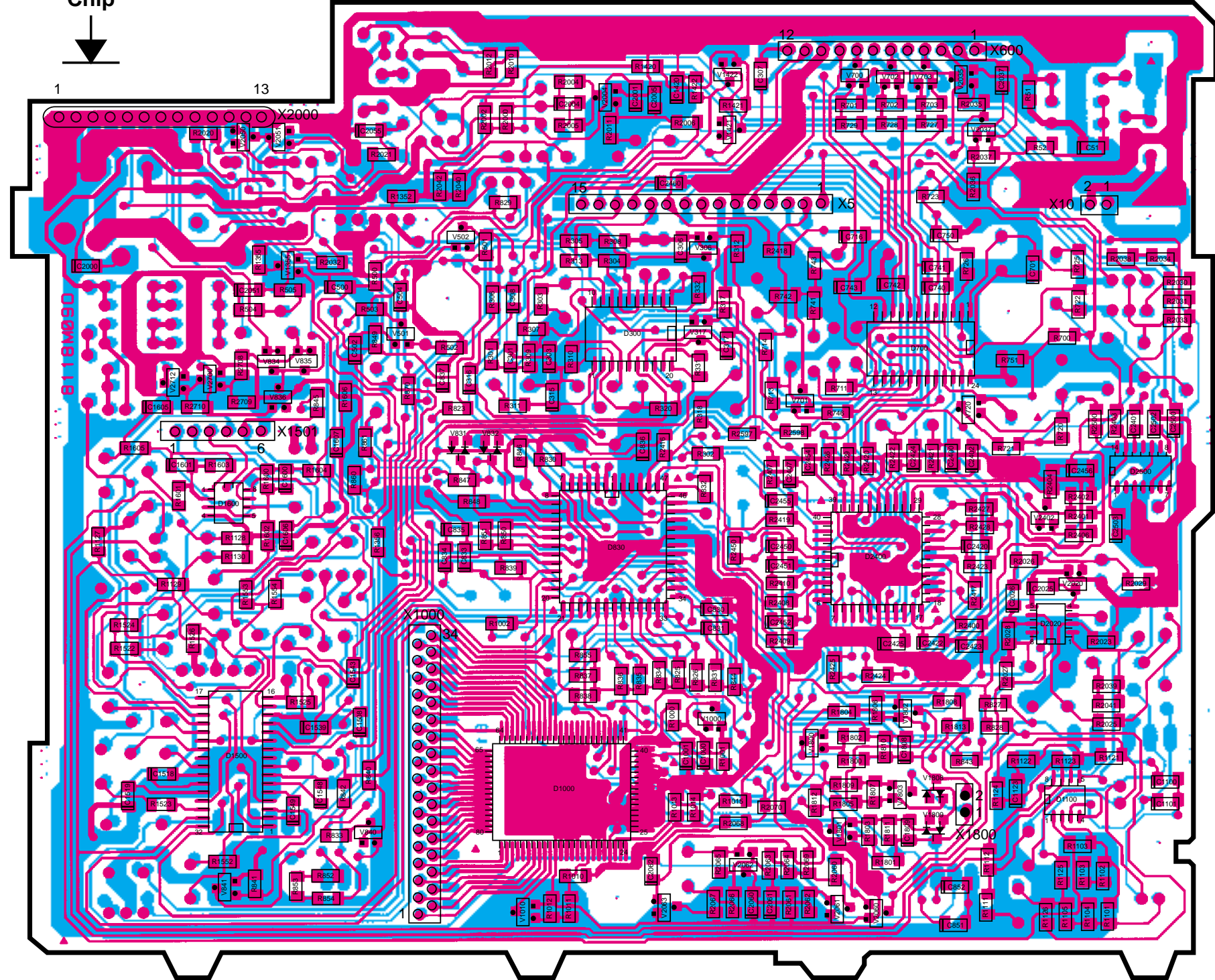


SDA
X2/P12

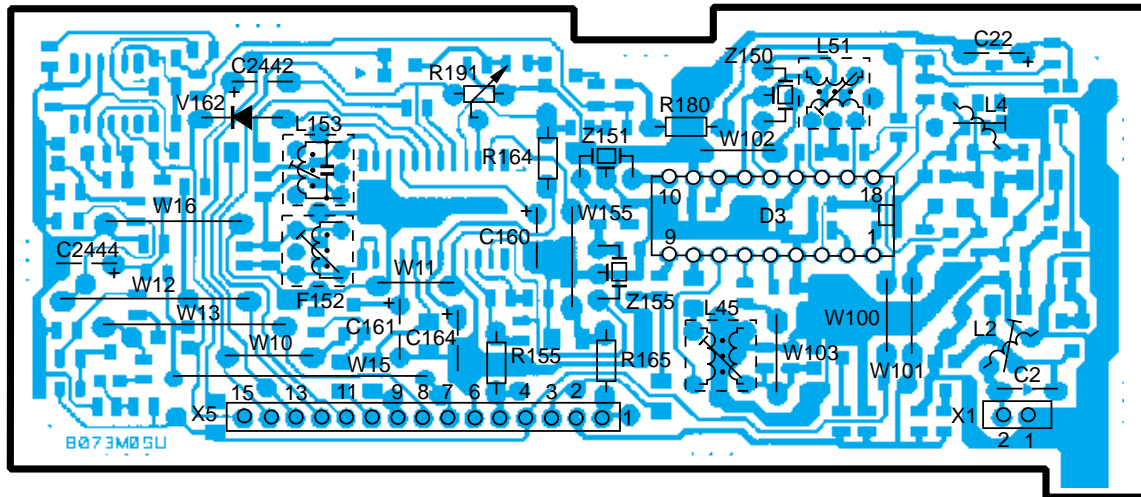
SCL
X2/P13

X2/P2
DK/WT

Hauptplatte
Main board
PL 8118 A09
Chip



UKW-Teil
 FM Modul-Tuner
 PL 8073 A06



X5		
1 = U8	6 = RF-GND	11 = U-REF
2 = U-FM	7 = MPX	12 = MULTIPATH
3 = FM-OSZ	8 = RDS-MUTE	13 = FS-FM
4 = U81	9 = SL	14 = SLF
5 = IF-AM	10 = U82	15 = MPX 1

X1
1 = RF-GND
2 = RF-FM

UKW-Teil
 FM Modul-Tuner
 PL 8073 A06
 Chip



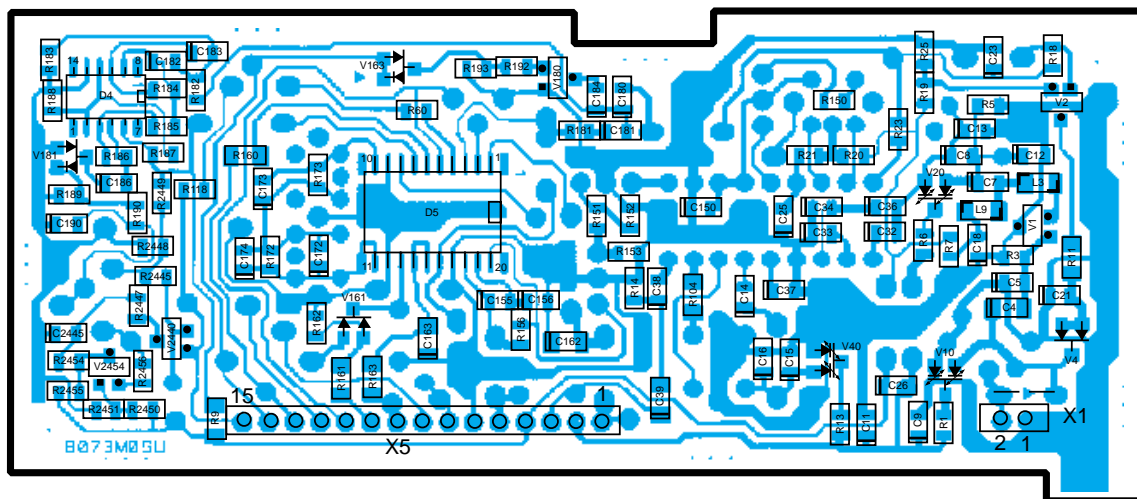
V2
 V180
 V2454



V2440



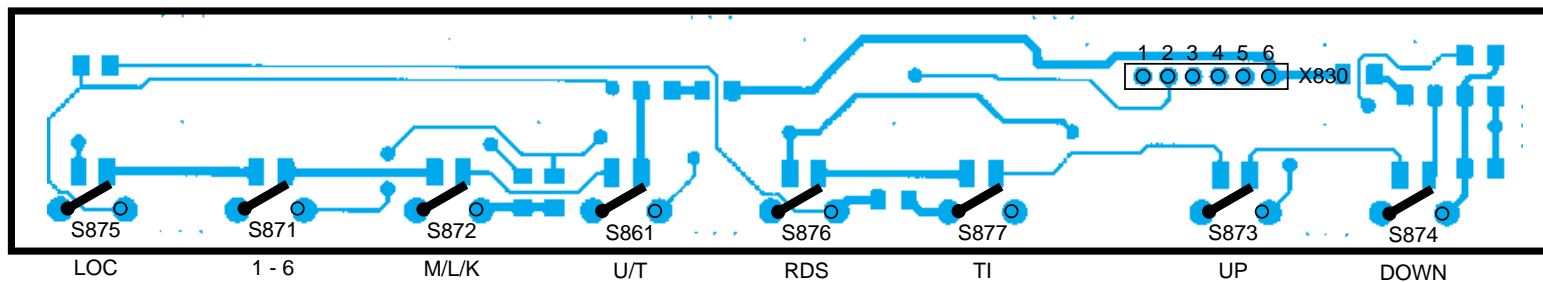
V1



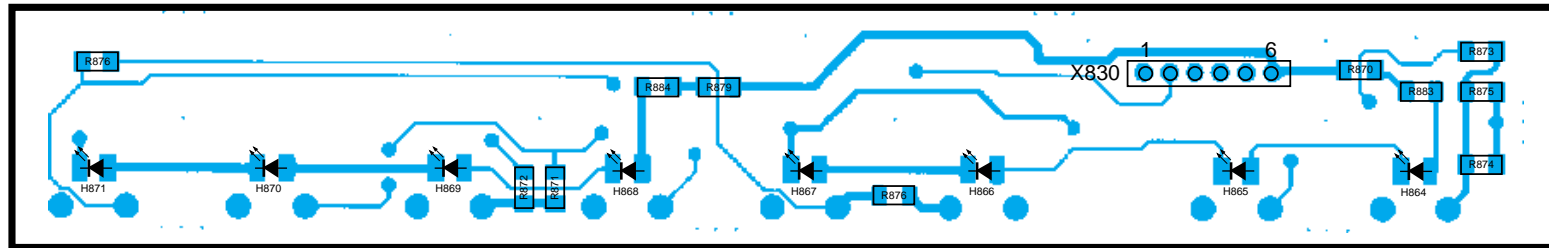
Schalterplatte
Key board
PL 8133 A03



X830
1 = U143
2 = GND
3 = GND
4 = KB11
5 = KB12



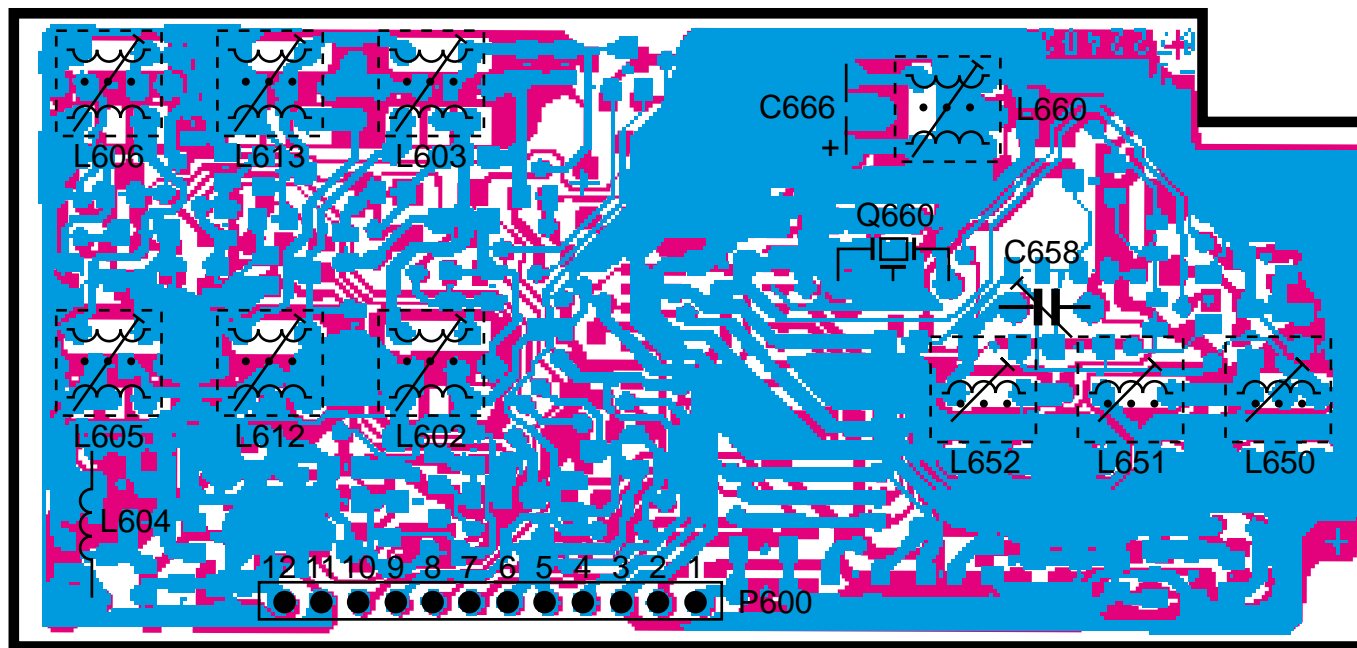
Schalterplatte
Key board
PL 8133 A03
Chip



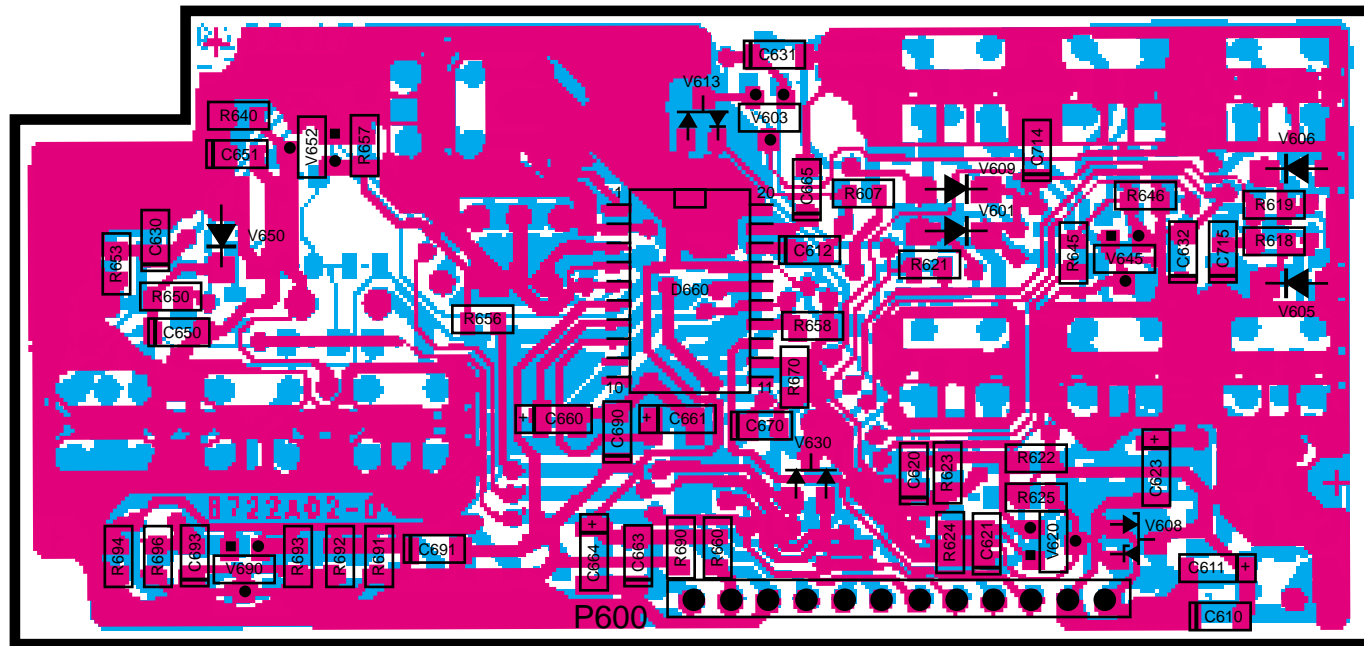
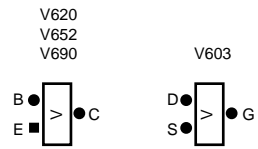
AM-Platte
 AM board
 PL 8722 A02



P600	
1	= AM-NF
2	= U82
3	= GND
4	= AM-OSZ
5	= MW
6	= dU-AM
7	= LW
8	= IF-AM
9	= KW
10	= FS-AM
11	= GND
12	= RF-AM

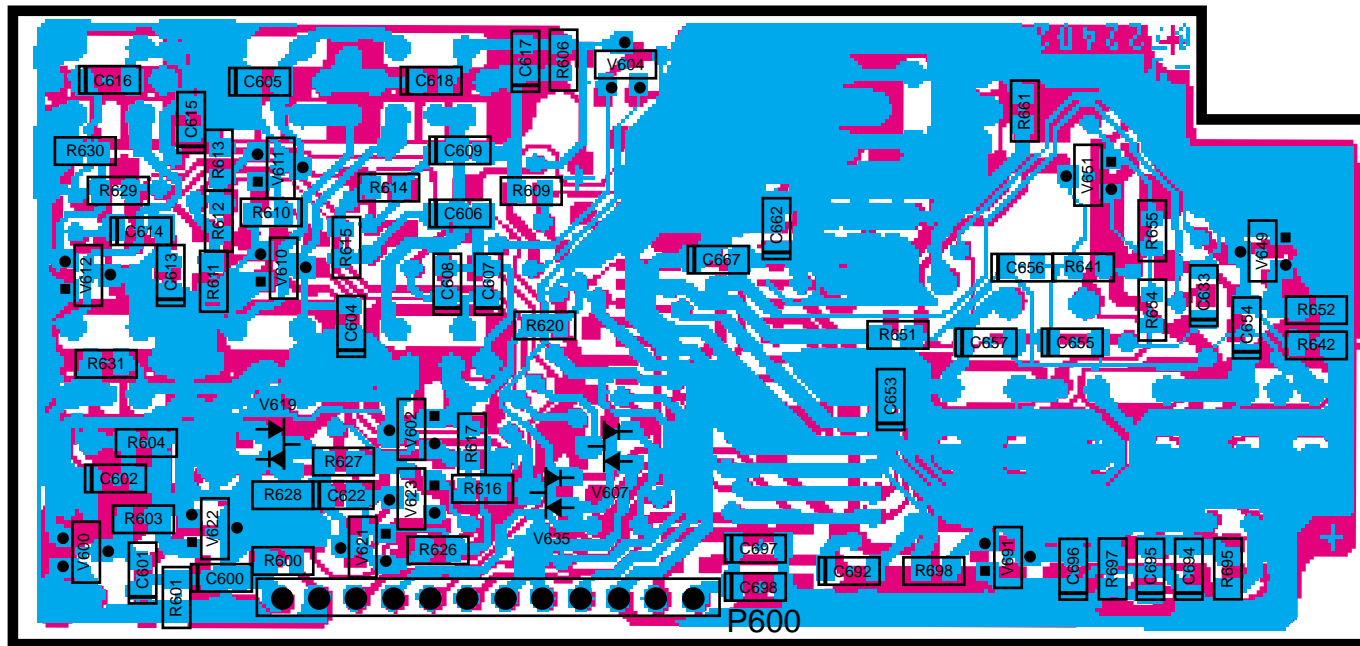
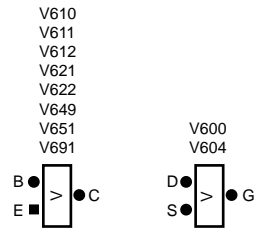


AM-Platte
AM board
PL 8722 A02

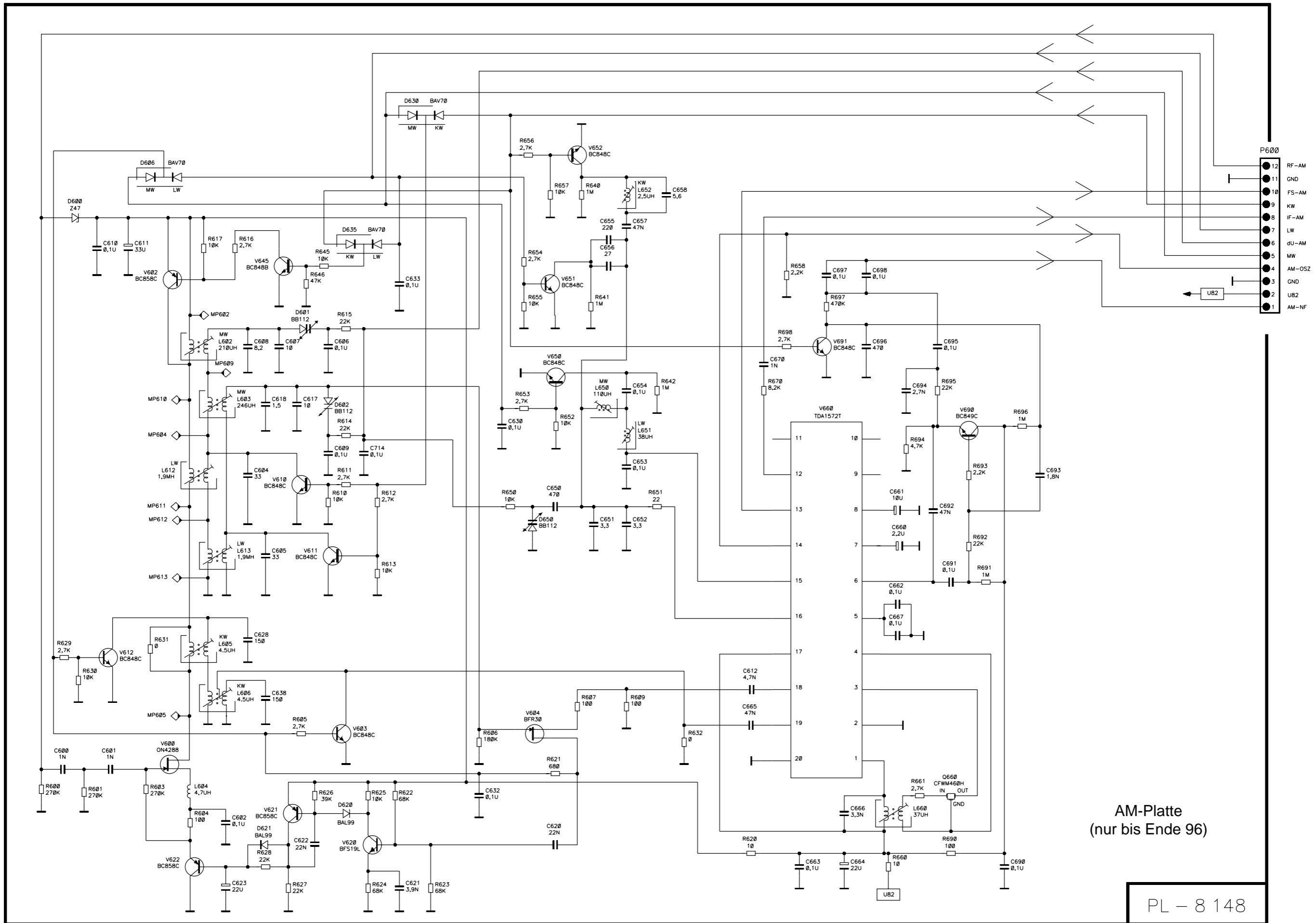


1 2 3 4 5 6 7 8 9 10 11 12

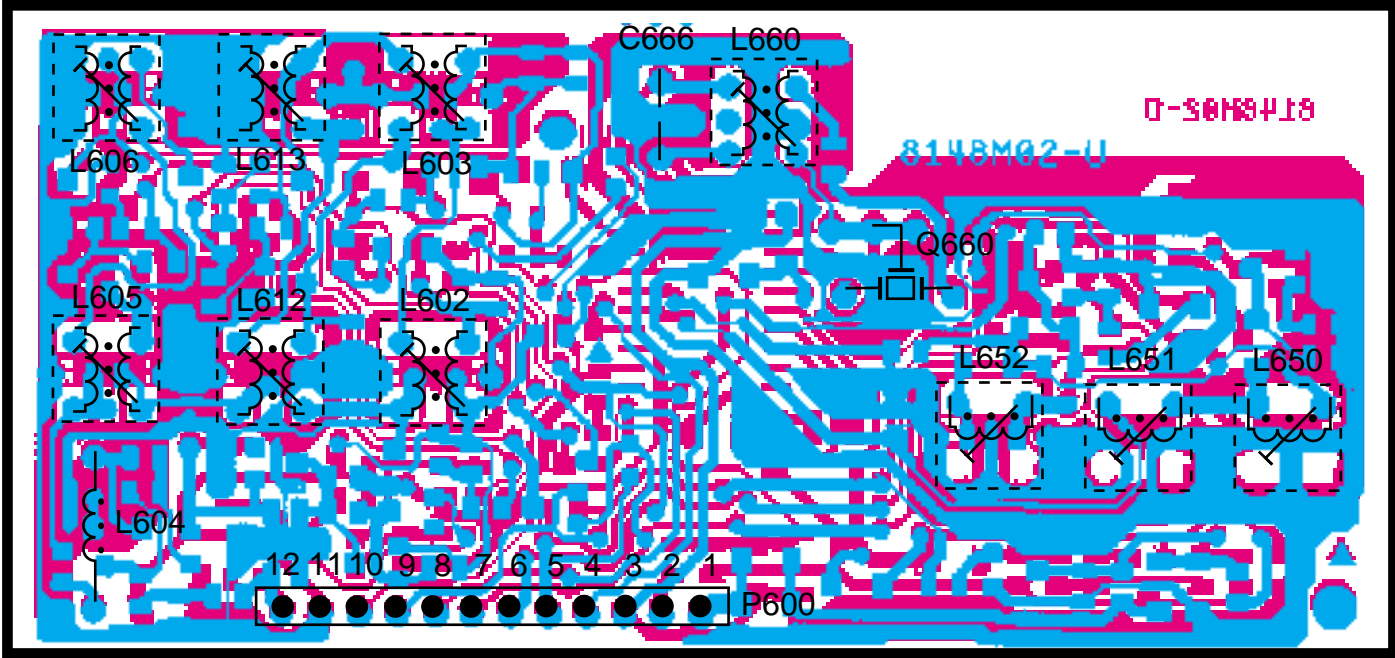
AM-Platte
AM board
PL 8722 A02



12 11 10 9 8 7 6 5 4 3 2 1



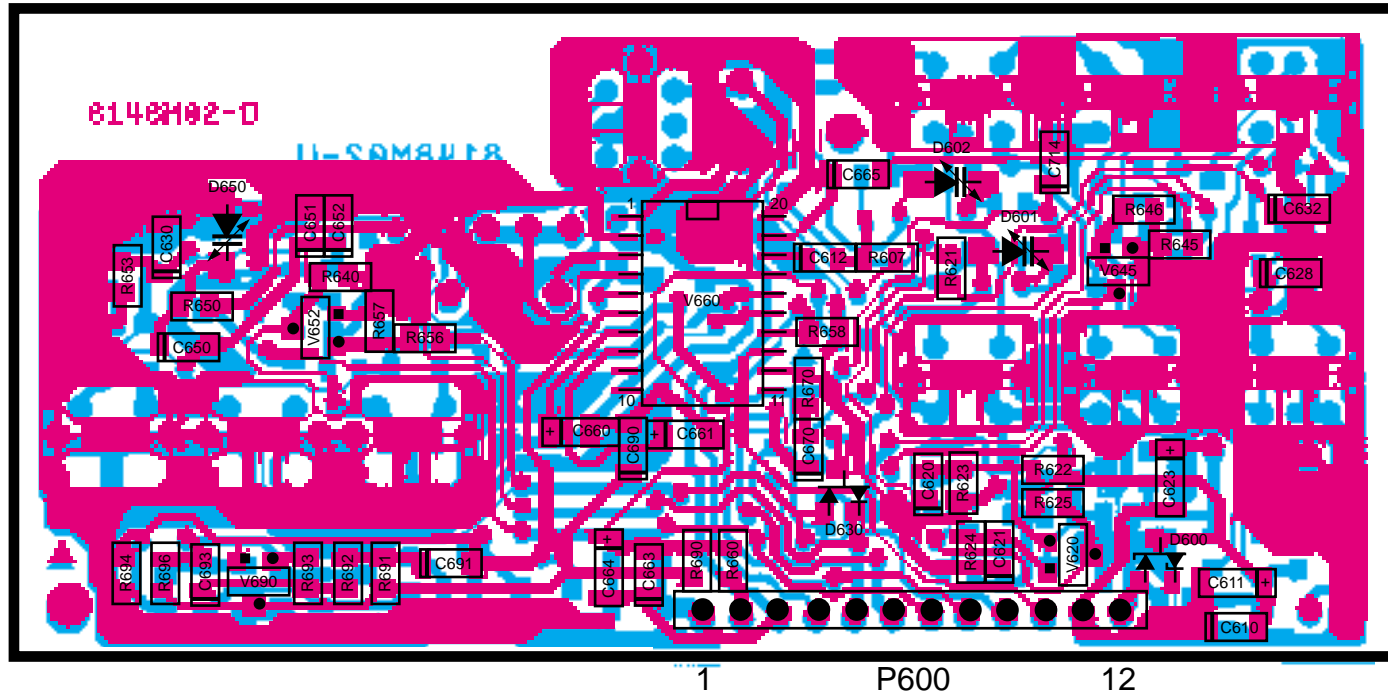
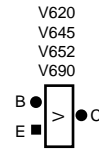
AM-Platte
 AM board
 PL 8148 A02



P600		
1 = AM-NF	5 = MW	9 = KW
2 = U82	6 = dU-AM	10 = FS-AM
3 = GND	7 = LW	11 = GND
4 = AM-OSZ	8 = IF-AM	12 = RF-AM

RDR 05 (nur bis Ende 96)
 AM-Platte - 8148 A02
 Bestückung

AM-Platte
AM board
PL 8148 A02
Chip



RDR 05 (nur bis Ende 96)
AM-Platte - 8148 A02
Chip-O

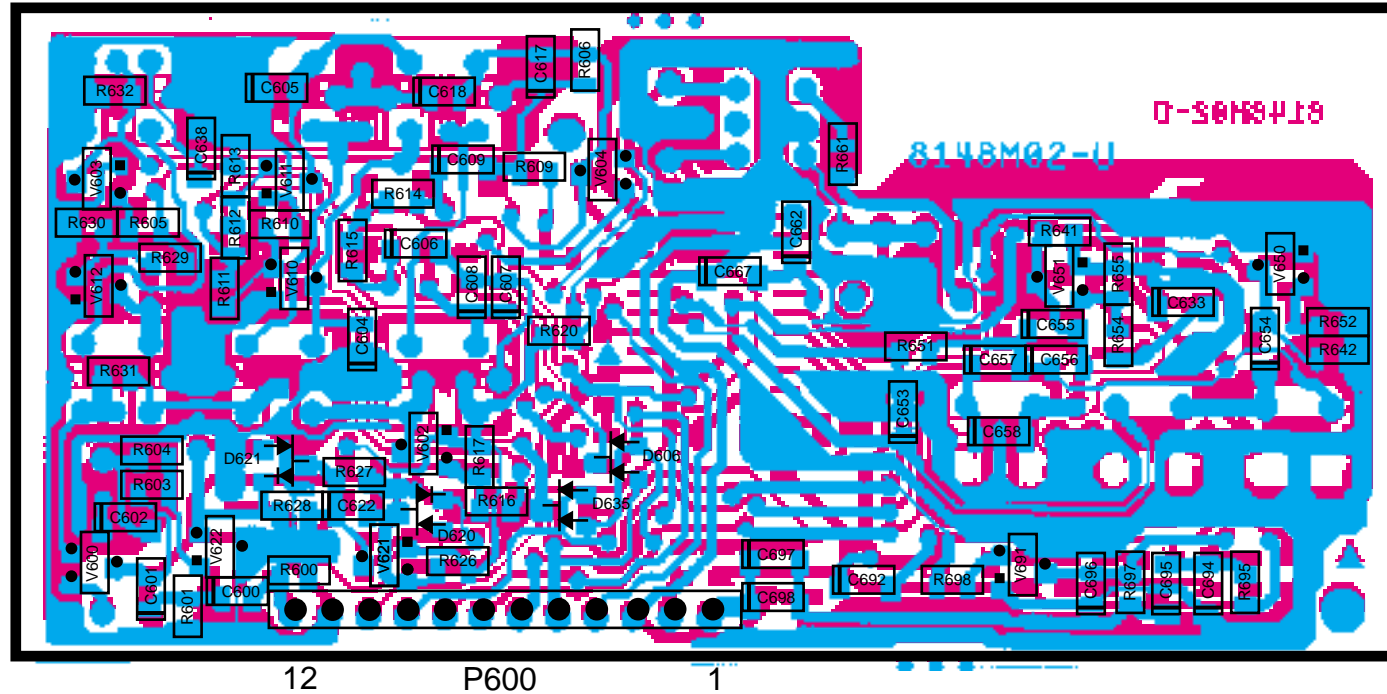
AM-Platte
AM board
PL 8148 A02
Chip



V602
V603
V610
V611
V612
V621
V622
V650
V651
V691



V600
V604



RDR 05 (nur bis Ende 96)
AM-Platte - 8148 A02
Chip-U