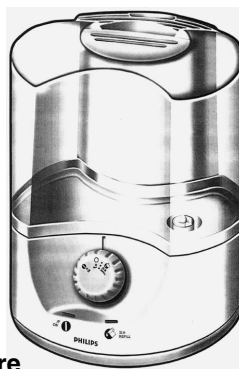


Service Service Service



Philips Domestic Appliances and Personal Care

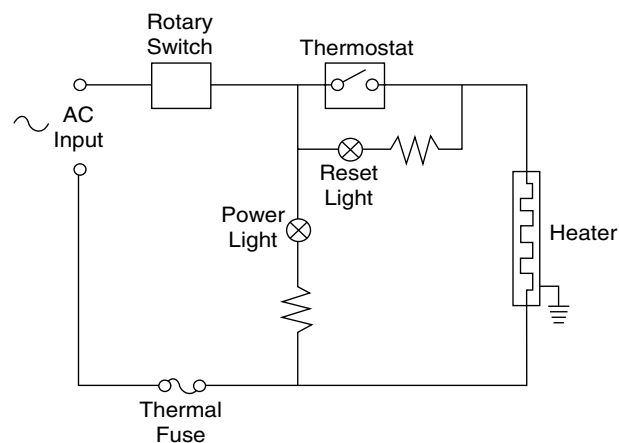
Service Manual

PRODUCT INFORMATION

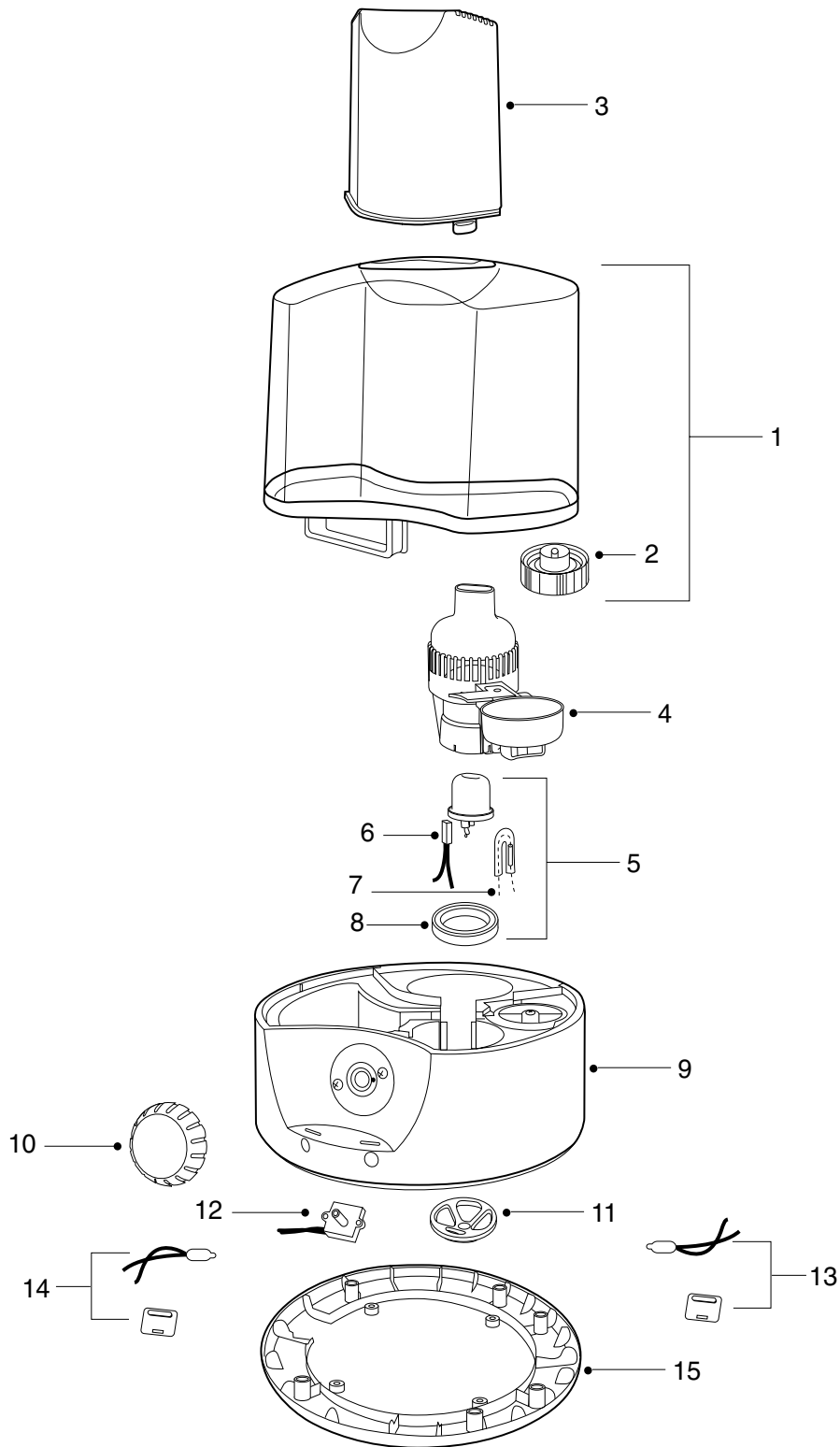
Voltage	: 220V
Frequency	: 50Hz
Power consumption	: 365W
Capacity	: 4 Liters

SERVICE INFORMATION

- When the appliance is turned ON, it is normal to take about 2-3 minutes to warm up and begin to mist.
- When the water tank is empty, the Automatic Shunt Off, which control by a thermostat, will function. After refilled the water tank, it has to wait for about 5 minutes for the Automatic Shunt Off function to reset.



HD4194



1	Tank	9965 000 01423	9	Body	9965 000 01427
2	Tank cap	9965 000 01404	10	ON/OFF knob	9965 000 01428
3	Funnel	9965 000 01424	11	Holder	9965 000 01417
4	Cover	9965 000 01425	12	ON/OFF switch	9965 000 01418
5	Heater assy	9965 000 01410	13	Refill light assy	9965 000 01420
6	Thermostat	9965 000 01411	14	ON/OFF light assy	9965 000 01421
7	Thermal fuse	9965 000 01426	15	Base	9965 000 01429
8	Sealing ring	9965 000 01413			