

Service  
Service  
Service



Philips Domestic Appliances and Personal Care

# Service Manual

## PRODUCT INFORMATION

### Features

#### Iron

- Optinox soleplate
- Max steam output 70 grams/min
- Cord length 1.9 m

#### Boiler

- Inox boiler
- Capacity 1 litre
- Stainless steel tray assy

### Safety Information

- This product meets the requirements regarding interference suppression on radio and TV.
- After the product has been repaired, it should function properly and has to meet the safety requirements as officially laid down at this moment.

## TECHNICAL INFORMATION

Voltage : 220 - 240 V

Frequency : 50 - 60 Hz

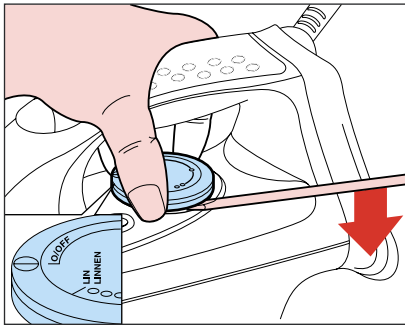
Power consumption : Iron : 800 W  
Boiler : 1200 W  
Pressure : 2.5 bar

Dimension (F-box) : 41 x 38 x 20 cm

Weight : 3850 grams

Water advice : Suitable for tap water use. However if the tap water in your area is very hard, we advise you to mix it with a equal portion of distilled water or to use distilled water only.

**REPLACE DIAL 1**



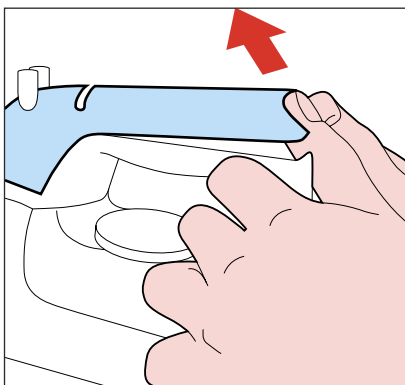
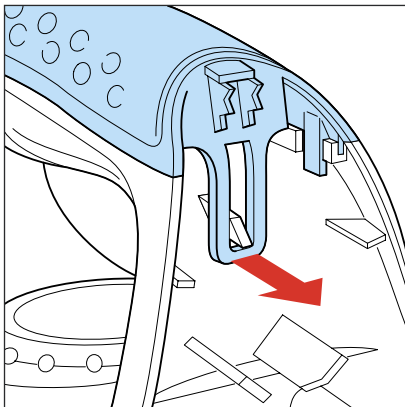
**REPLACE BACKPLATE 2**

- disassemble DIAL 1
- remove screw A
- remove connection
- remove hose

**REPLACE INLAY 3**

**IRON LAMP 4**

**MICRO SWITCH 5**



**REPLACE IRON HANDLE 6**

- disassemble DIAL 1
- remove screw A
- remove connection
- remove hose
- disassemble BACKPLATE 2
- disassemble INLAY 3
- disassemble IRON LAMP 4
- disassemble MICRO SWITCH 5
- remove screw B (3x)

**REPLACE INTERMEDIATE CABLE 7**

**SWIVEL 8**

**THERMOSTAT BUSH 9**

- disassemble DIAL 1
- remove screw A
- remove connection
- remove hose
- disassemble BACKPLATE 2
- disassemble INLAY 3
- disassemble IRON LAMP 4
- disassemble MICRO SWITCH 5
- remove screw B (3x)
- disassemble IRON HANDLE 6

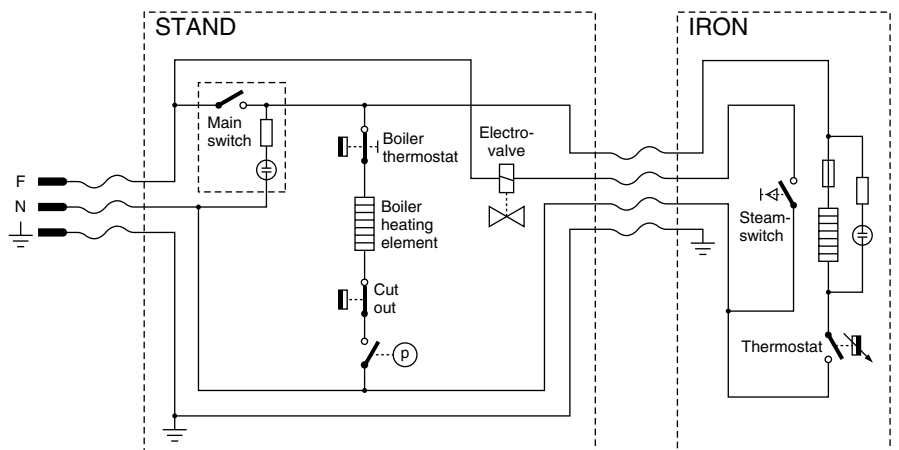
**REPLACE IRON SKIRT 10**

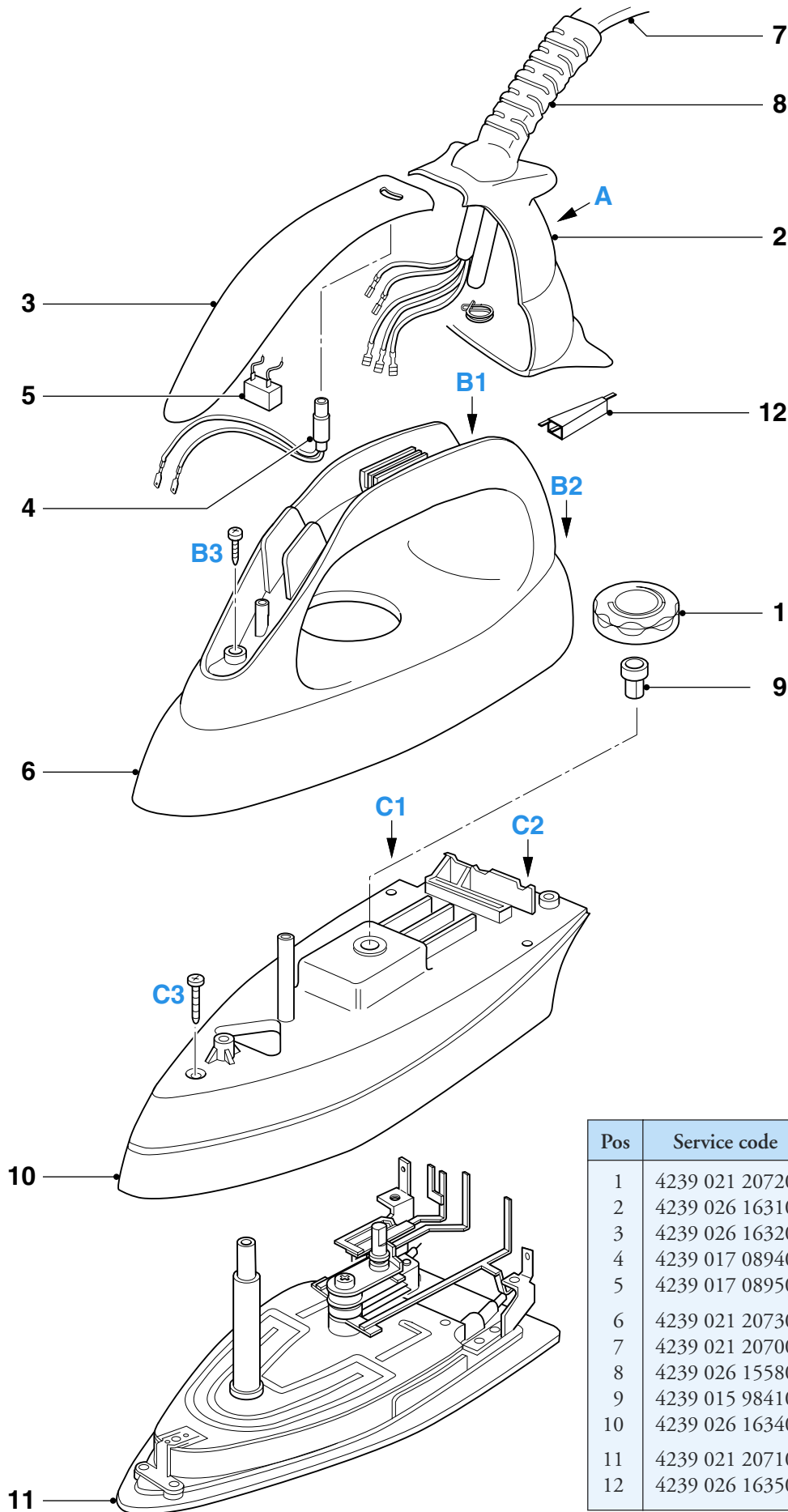
**SOLEPLATE UNIT 11**

- disassemble DIAL 1
- remove screw A
- remove connection
- remove hose
- disassemble BACKPLATE 2
- disassemble INLAY 3
- disassemble IRON LAMP 4
- disassemble MICRO SWITCH 5
- remove screw B (3x)
- disassemble IRON HANDLE 6
- disassemble INTERMEDIATE CABLE 7
- disassemble SWIVEL 8
- disassemble THERMOSTAT BUSH 9
- remove screw C (3x)

**REPAIR INSTRUCTIONS - IRON**

- For disassembly, you will need a Torx screwdriver: 362 TR T20 x 100

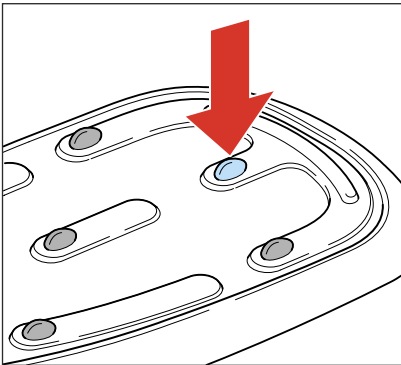




Pos	Service code	Description
1	4239 021 20720	Dial
2	4239 026 16310	Backplate
3	4239 026 16320	Inlay
4	4239 017 08940	Iron Lamp
5	4239 017 08950	Micro switch
6	4239 021 20730	Iron Handle
7	4239 021 20700	Intermediate cable + micro switch
8	4239 026 15580	Swivel
9	4239 015 98410	Thermostat bush
10	4239 026 16340	Iron skirt
11	4239 021 20710	Soleplate unit
12	4239 026 16350	Electrovalve trigger

## SAFETY CAP 21

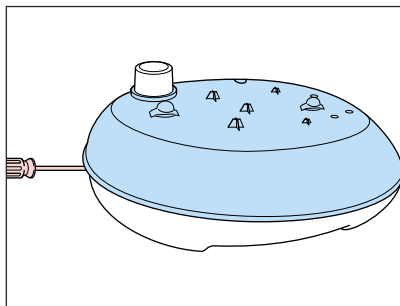
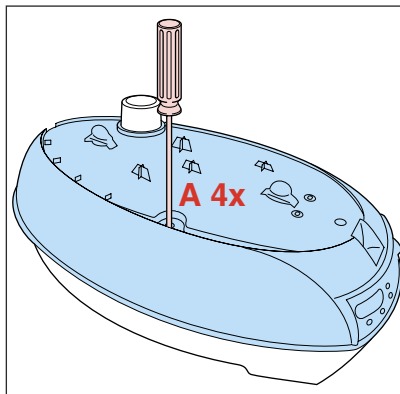
## COMPLETE TRAY 22



Note: pressure fixation rubber through the tray.

SUPERIOR STAND  
PRINTED 29)

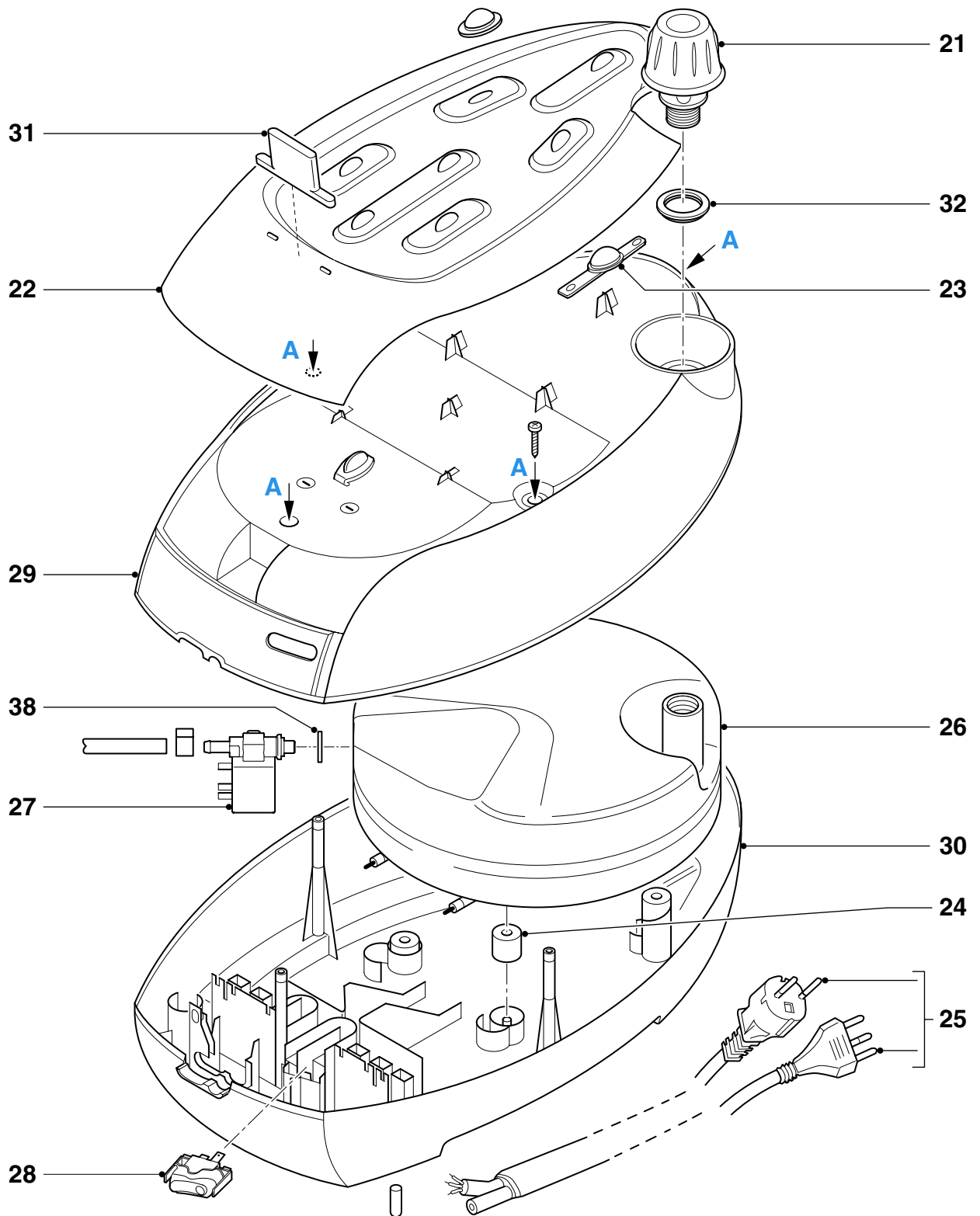
Remove screws A (4x)



Remove the SUPERIOR STAND and you will see the respective parts of the Boiler.

## REPAIR INSTRUCTIONS - STAND

- For disassembly, you will need a Torx screwdriver 362 TR T20 x 100
- Be careful of the sharp edges of the stainless steel tray assy. a **thick glove** when removing the tray assy.
- To avoid damage to the sealings and components of the boiler, **NEVER** clean the boiler with vinegar, descaling agent or other chemicals.
- The boiler does not contain serviceable parts. Never disassemble and service any components on the boiler assy.
- The boiler is required to be rinsed after every 10 times usage.
- **ALWAYS** replaced boiler assy (Pos 26) when
  - mechanical safety valve at the cap has been activated
  - thermal fuse/thermostat at boiler bottom is open



Pos	Service code	Description
21	4239 026 15630	Safety cap
22	4239 021 20270	Complete tray
23	4239 015 55310	Tray rubber foot
24	4239 015 55280	Boiler rubber foot
25	4239 000 09150	Intermediate supply cable (Europe)
	4239 000 09260	Intermediate supply cable (Italy)
26	4239 021 19990	Boiler assy

Pos	Service code	Description
27	4239 010 08870	Electrovalve
28	4239 017 08810	Main switch
29	4239 021 20260	Superior stand
30	4239 026 16030	Inferior stand
31	4239 015 55350	Back support rubber
32	4239 015 55300	Filling hole gasket
38	4239 017 09151	Teflon ring