

570

Service Manual

TABLE OF CONTENTS

S	E	R	V	I	C	E	
WARNING.							1
A. IMPORTANT SAFETY INSTRUCTION.							1
B. SPECIFICATIONS.							2
C. TIMING CHART.							3
D. CONTROL LOCATION.							5
E. C	O	N	D	U	C	T	I
VIEW.						O	N
							7
F. ADJUSTMENT PROCEDURE.							3
1							
G. TROUBLE SHOOTING HINTS.							14
H. REPLACEMENT PARTS LIST.							18
I. BLOCK DIAGRAM.							5
2							
J. SCHEMATIC DIAGRAM.							26

WARNING

To prevent from fire or shock hazard, do not expose monitor to any rain or any form of water. High voltage is inside the monitor so please do not remove the back cover of the cabinet if you are not a qualified monitor engineer. Contact the local dealer or the nearest **Proview** branch office if you need help.

A. IMPORTANT SAFETY INSTRUCTION

Prior to using this service manual, please ensure that you have carefully followed all the procedures outlined in the user's manual for this product.

1. Read all of these instructions.
2. Save these instructions.
3. Follow all warnings and instructions marked on the product.
4. Unplug this product from the wall outlet before cleaning. Do not use liquid cleaners or aerosol cleaners, use a damp cloth for cleaning.
5. Do not use this product near water.
6. Do not place this product on an unstable cart, stand or table. The product may fall, causing serious damage to the product.
7. Slots and openings in the cabinet and the back or bottom are provided for ventilation, to ensure reliable operation of the product and to protect it from overheating, those openings must not be blocked or covered. The openings should never be blocked by placing the product on a bed, sofa, rug, or other similar surface. This product should not be placed in a built-in installation unless proper ventilation is provided.
8. This product should be operated from the type of power source indicated on the market label. If you are not sure of the type of power available, consult your dealer or local power company.
9. This product is equipped with a 3-wire grounding type plug, a plug having a third (grounding) pin. This plug will only fit into a grounding-type power outlet. This is a safety feature, if you are unable to insert the plug into the outlet, contact your electrician to replace your obsolete outlet. Do not defeat the purpose of the grounding-type plug.
10. Do not allow anything to rest on the power cord. Do not locate this product where persons will walk on the cord.
11. If an extension cord is used with this product, make sure that the total of the ampere ratings on the product plugged into the extension cord to the wall outlet does not exceed 15 ampere.
12. Never push objects of any kind into this product through cabinet slots as they may touch dangerous voltage points or short out parts that could result in a risk of fire or electric shock. Never spill liquid of any kind on the product.
13. Do not attempt to service this product yourself, as opening or removing covers may expose you to dangerous voltage points or other risks. Refer all servicing to service personnel.
14. Unplug this product from the wall outlet and refer servicing to qualified service personnel under the following conditions.
 - a. When the power cord or plug is damaged or frayed.
 - b. If liquid has been spilled into the product.
 - c. If the product has been exposed to rain or water.
 - d. If the product does not operate normally, when the operating instructions are followed. Adjust

only those controls that are covered by the operating instructions since improper adjustment of other controls may result in damage and will often require extension work by a qualified technician to restore the product to normal operation.

- e. If the product has been dropped or the cabinet has been damaged.
- f. If the product exhibits a distinct change in performance, indicating a need for service.

B. SPECIFICATIONS

1. Maximum Resolution	1024 x 768 @ 75Hz
2. Recommend Resolution	1024 x 768 @ 60Hz
3. Synchronization Range	
Horizontal	30 – 61 KHz
Vertical	56– 75 Hz
4. Active Display Area	304.1mm (H) x 228.1mm (V)
5. Dot Pitch	0.297(H) x 0.297(V) mm
6. Support display colors	16.7M color
7. Contrast Ratio (Typical)	400
8. Luminance of White	250cd/m ²
9. Bandwidth	80MHz
10. User Control	4 Key Switch
11. OSD Function	Brightness, Contrast, H-Pos, V-Pos, H. Size, Phase, Color Select, Auto, Reset, Language, OSD Adjust, Exit
12. View Angle	
Horizontal	60 , 60 Degrees
Vertical	40 , 60 Degrees
13. Power Source	100 – 240 Vac 60 / 50 Hz
14. Power Consumption	36W (max.)
15. Connection Type	15 Pin D Type
16. Input Signal	
Video	Analog R.G.B. , 0.7Vp-p / 75 Ohms
Sync.	TTL level, positive or negative polarity
17. Color Temperature	Cool / Warm
18. Dimension (WxHxD)	351mm x 348mm x 150mm
19. Monitor Weight	2.8 Kg
20. Base Operation	
Tilt	0 / + 15 degree
21. Power Saving	
ON	< 36W
STAND BY	< 5W
OFF	< 5W
22. Signal Connector Pin Assignment	
Pin No.	
1. Red	9. 5V _{DC}
2. Green	10. Sync. Ground
3. Blue	11. Ground
4. Ground	12. SDA (For DDC)
5. Self Test	13. Horizontal Sync.
6. Red Ground	14. Vertical Sync.
7. Green Ground	15. SCL (For DDC)
8. Blue Ground	
23. Audio signal	3.5Φ stereo phone jack Input Sensitivity : 200mV 2+2W 8Ω Speaker

Modes	Preset	VESA	VESA	VESA	VESA	VESA
		800X600	800X600	1024X768	1024X768	1024X768
Pixel clock	(MHz)	50.000	49.500	65.000	75.000	78.750
H-Frequency	(KHz)	48.077	46.875	48.363	56.476	60.023
H-Total	(μ s)	20.800	21.333	20.677	17.707	16.660
H-Active Display	(μ s)	16.000	16.162	15.754	13.563	13.003
H-Blanking	(μ s)	4.800	5.172	4.923	4.053	3.657
Front Porch	(μ s)	1.120	0.323	0.369	0.320	0.203
H-Sync-width	(μ s)	2.400	1.616	2.092	1.813	1.219
H-Back Porch	(μ s)	1.280	3.232	2.462	1.920	2.235
V-Frequency	(Hz)	72.2	75.0	60.0	70.1	75.0
V-Total	(ms)	13.853	13.333	16.666	14.272	13.328
V-Active Display	(ms)	12.480	12.800	15.880	13.599	12.795
V-Blanking	(ms)	1.373	0.533	0.786	0.673	0.533
V-Front Porch	(ms)	0.770	0.021	0.062	0.053	0.017
V-Sync-width	(ms)	0.125	0.064	0.124	0.106	0.050
V-Back Porch	(ms)	0.478	0.448	0.600	0.513	0.466
H/V Sync. Polarity		+ +	+ +	- -	- -	+ +
Interlace		NONE	NONE	NONE	NONE	NONE

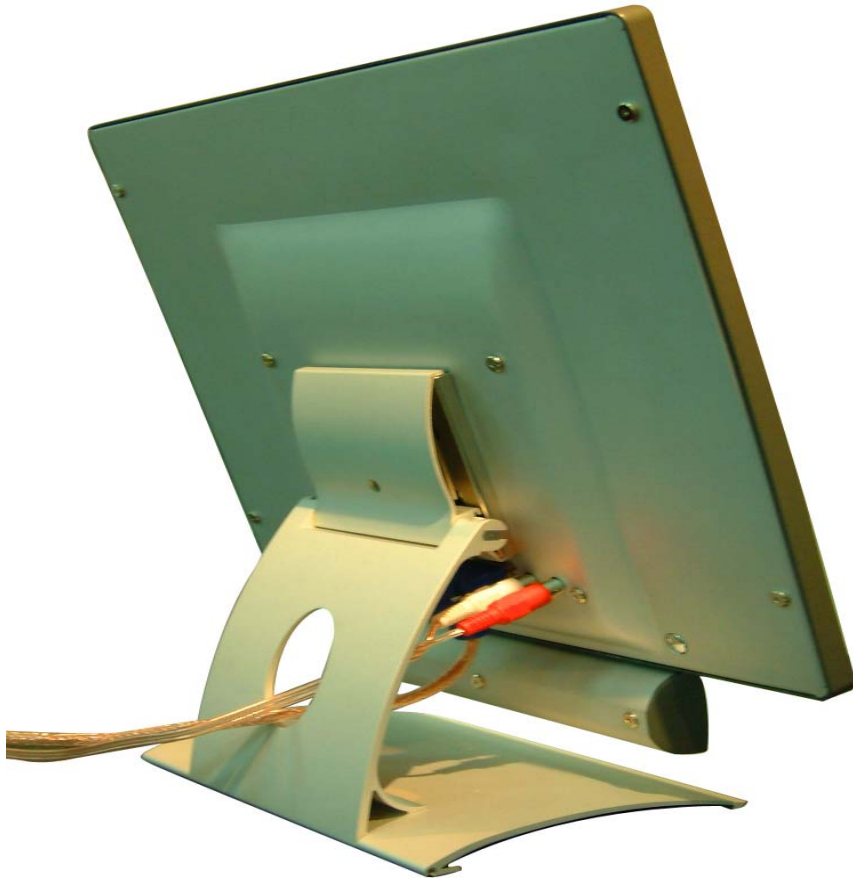
D. CONTROL LOCATION

Font control panel



1. Menu Button
2. Select Button
3. Auto Button
4. Power Button
5. LED (Power Display)

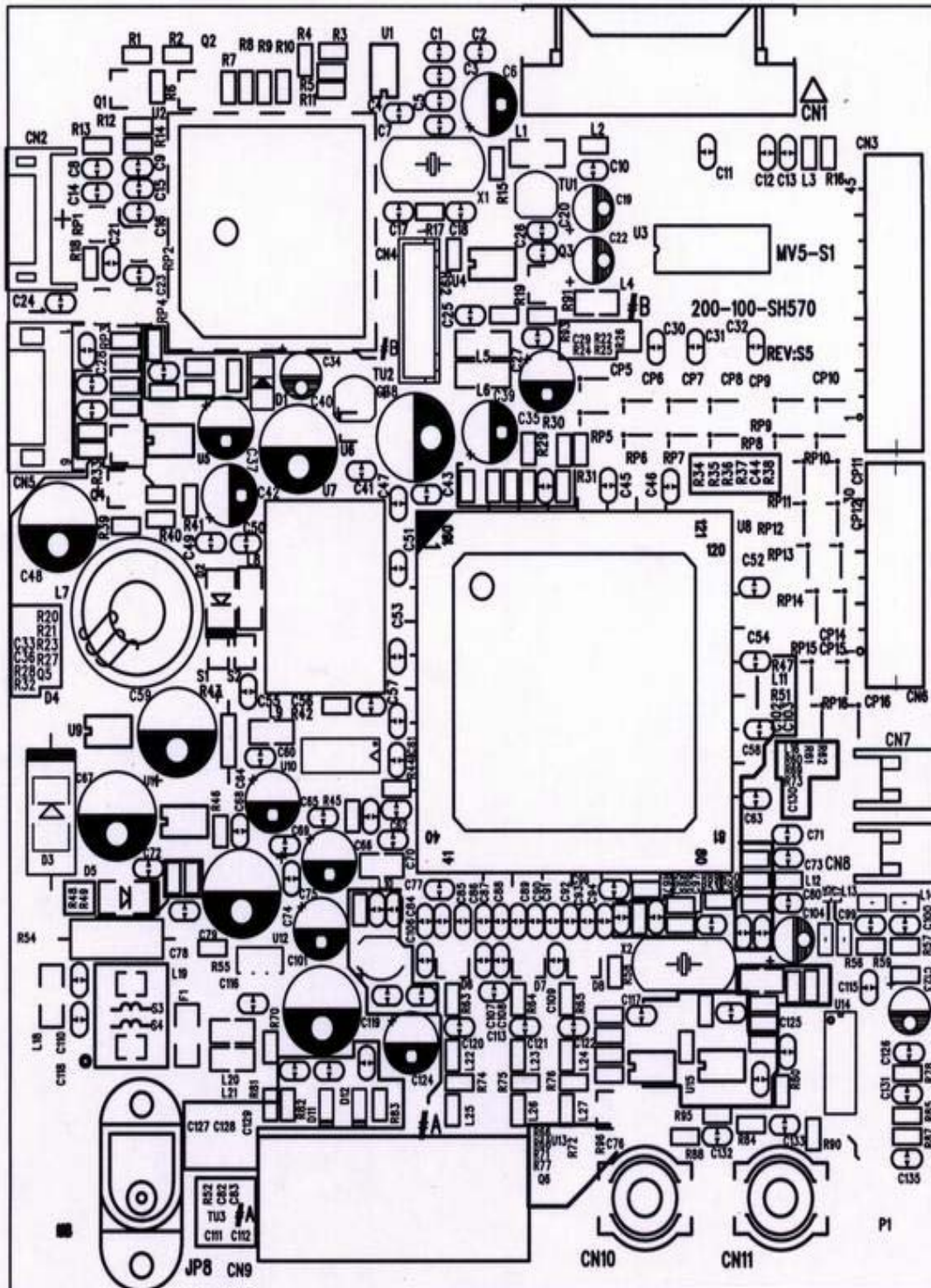
Rear panel



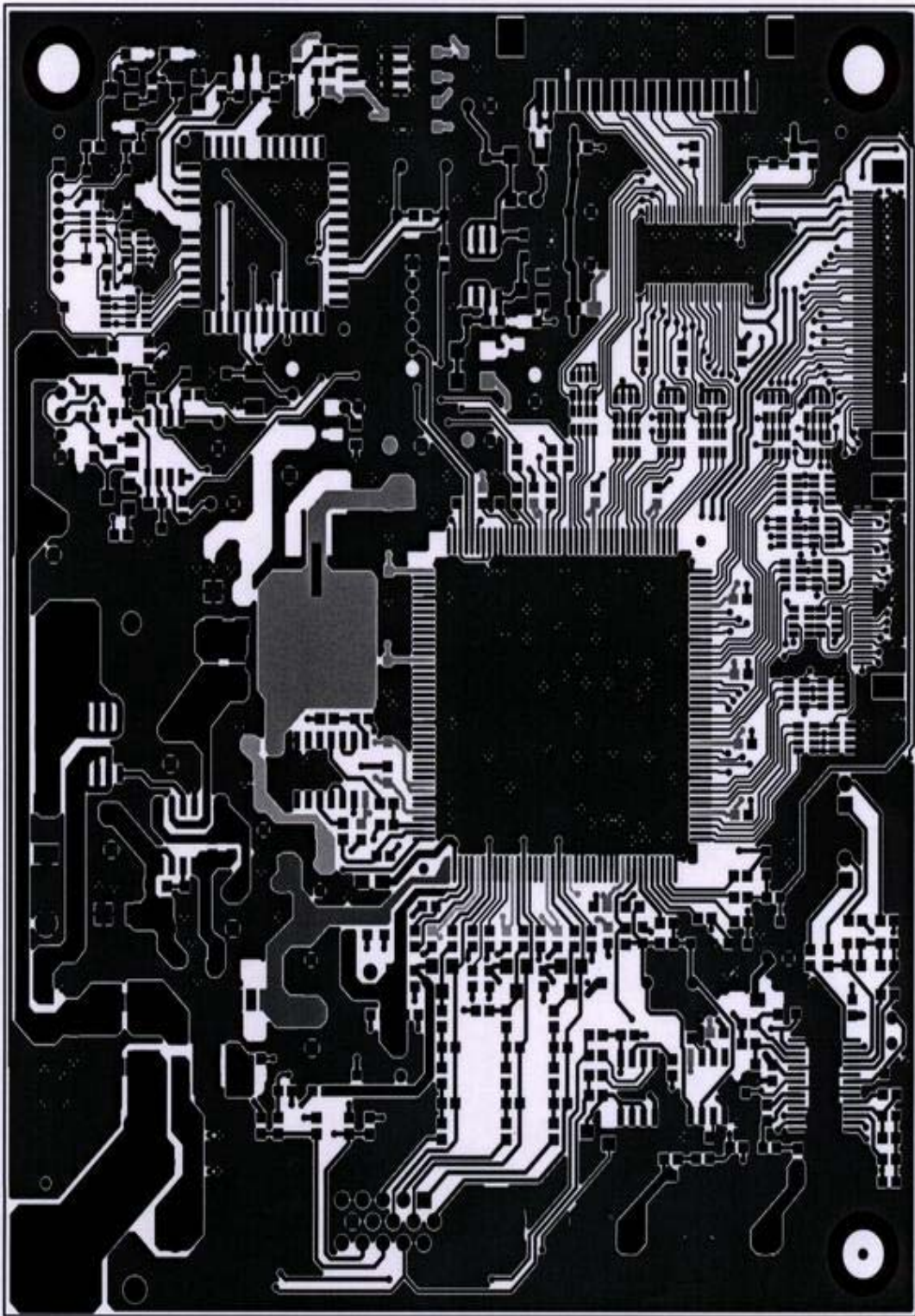
1. VGA Signal Cable
2. Power jack
3. Line in jack

E. CONDUCTION VIEW

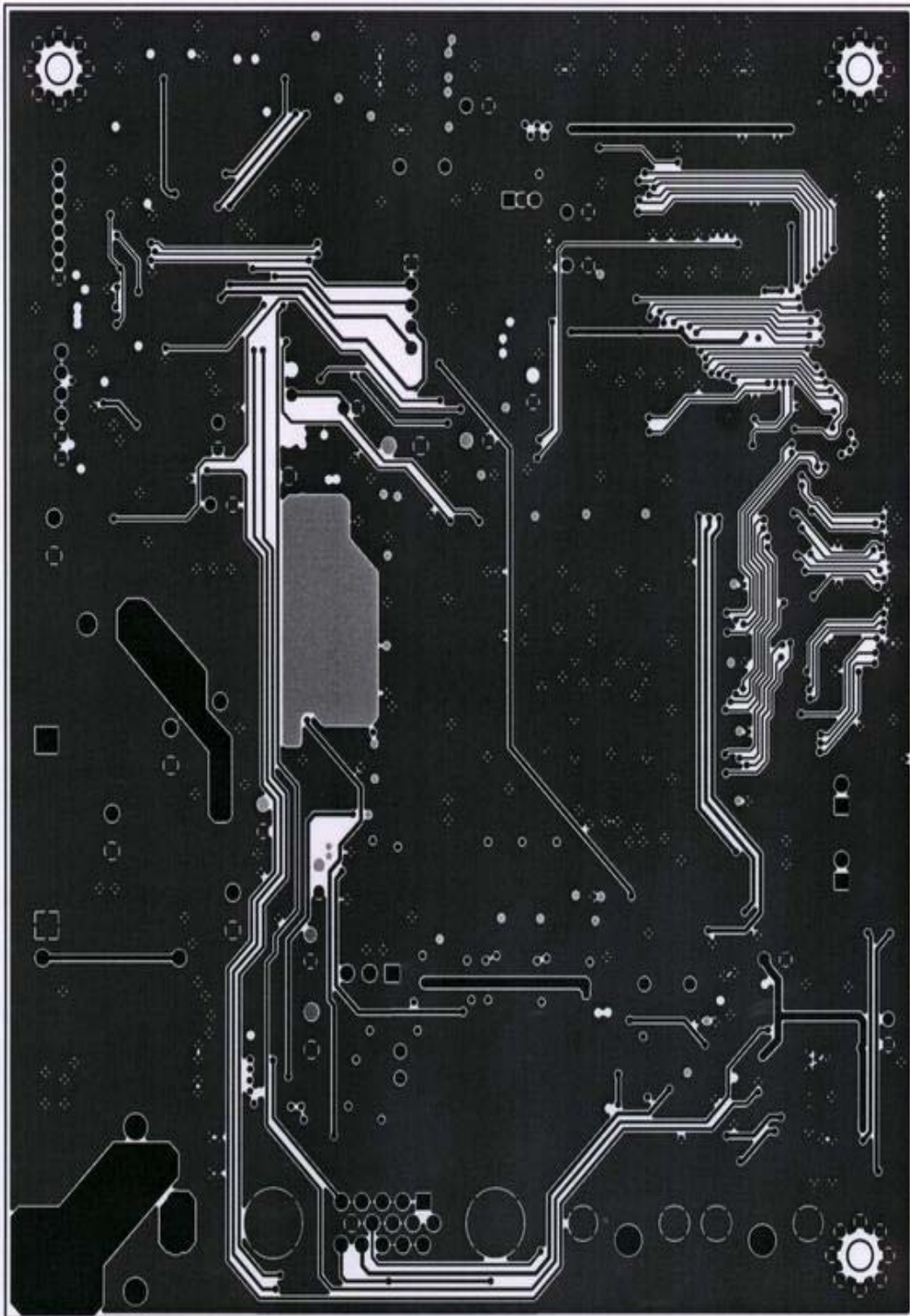
MAIN BOARD (Component Side)



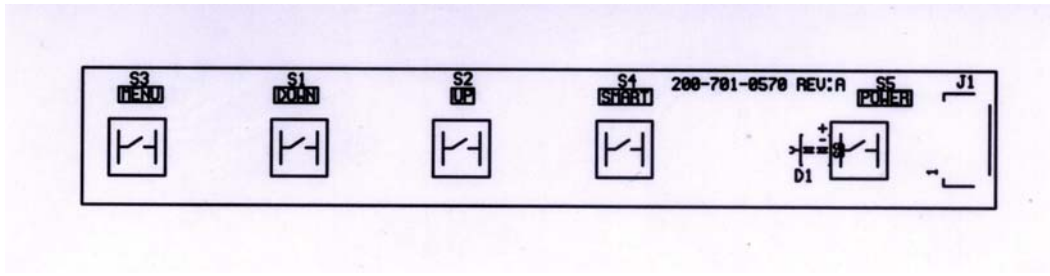
MAIN BOARD (Component Side)



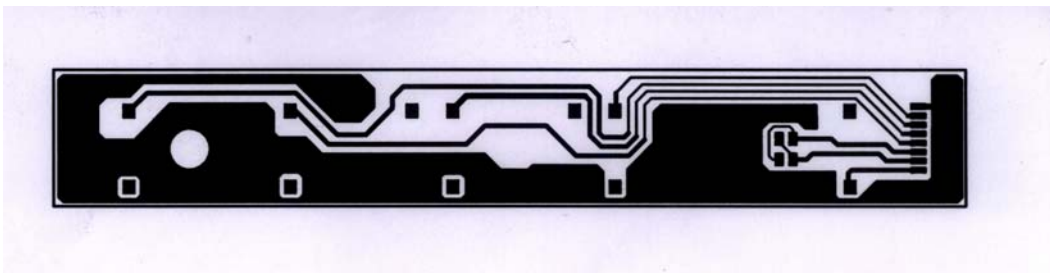
MAIN BOARD (Solid Side)



CONTROL BOARD (Component Side)



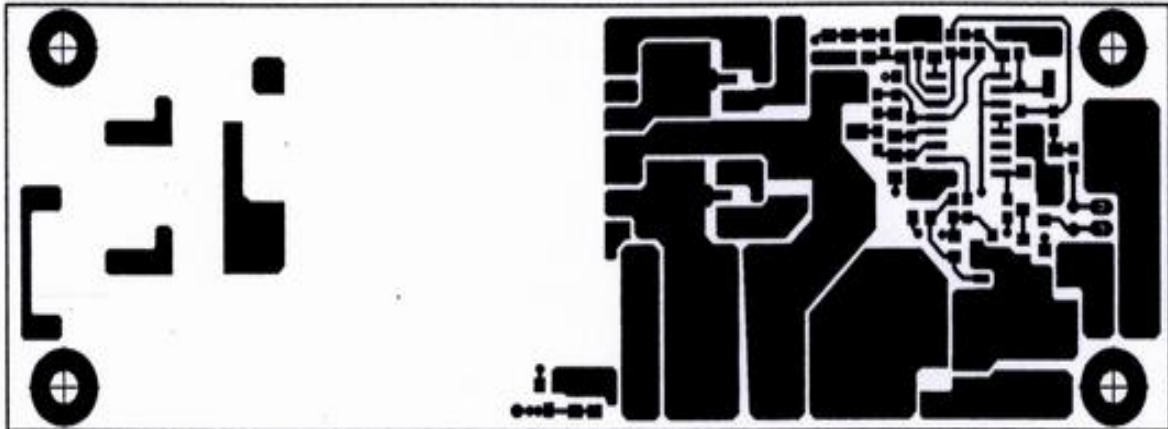
CONTROL BOARD (Solid Side)



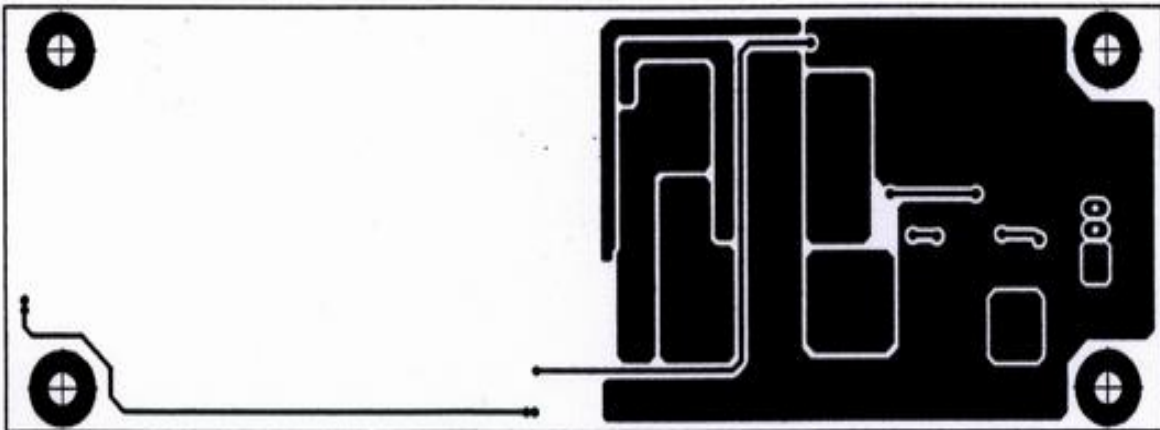
SAMPO CORPRATION
SPECIFICATION OF INVERTER (DIVTL0144-D21--)

9.P.C.B. LAYOUT / COMPONENT LOCATION
9-1. P.C.B. LAYOUT

TOP



MOTOR

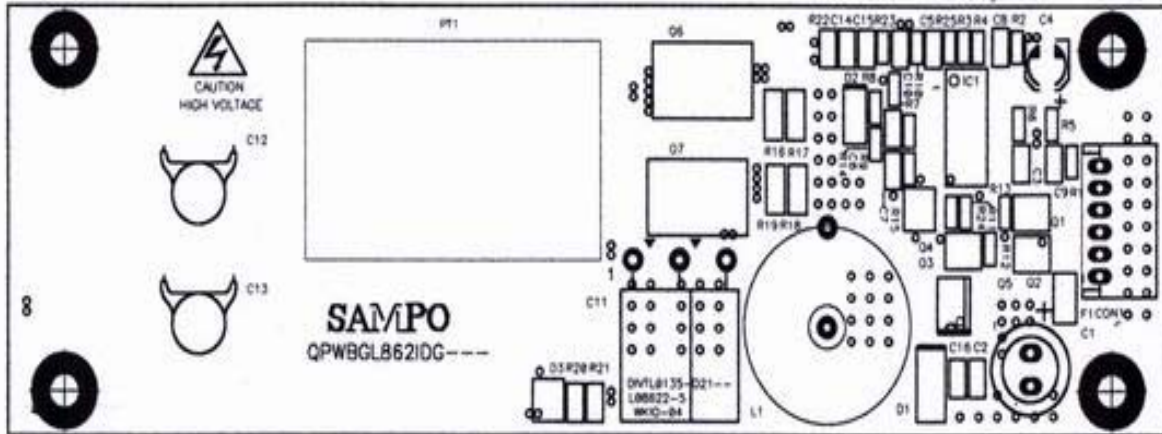


SAMPO CORPORATION

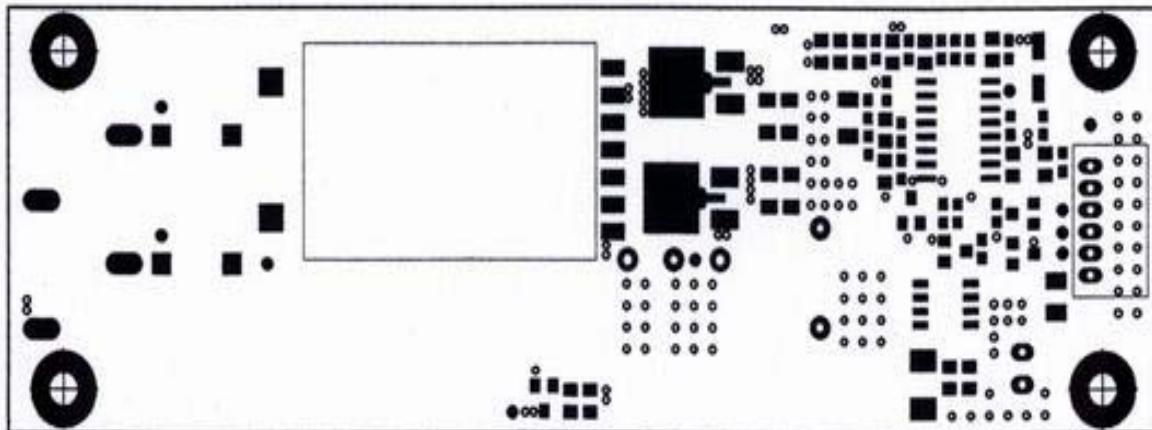
SPECIFICATION OF INVERTER (DIVTL0144-D21--)

9-2. COMPONENT LOCATION

TOP SILK



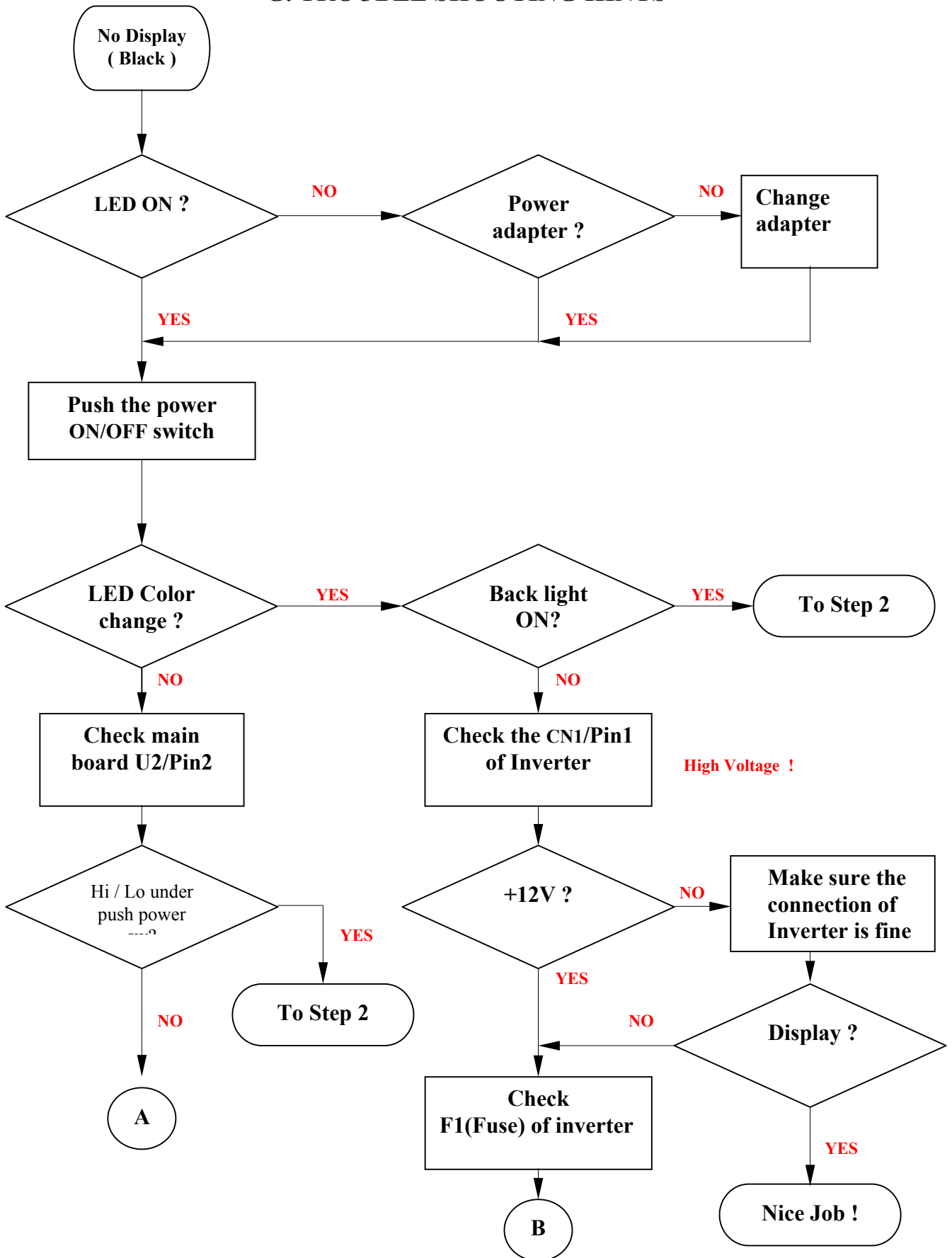
TOP MASK

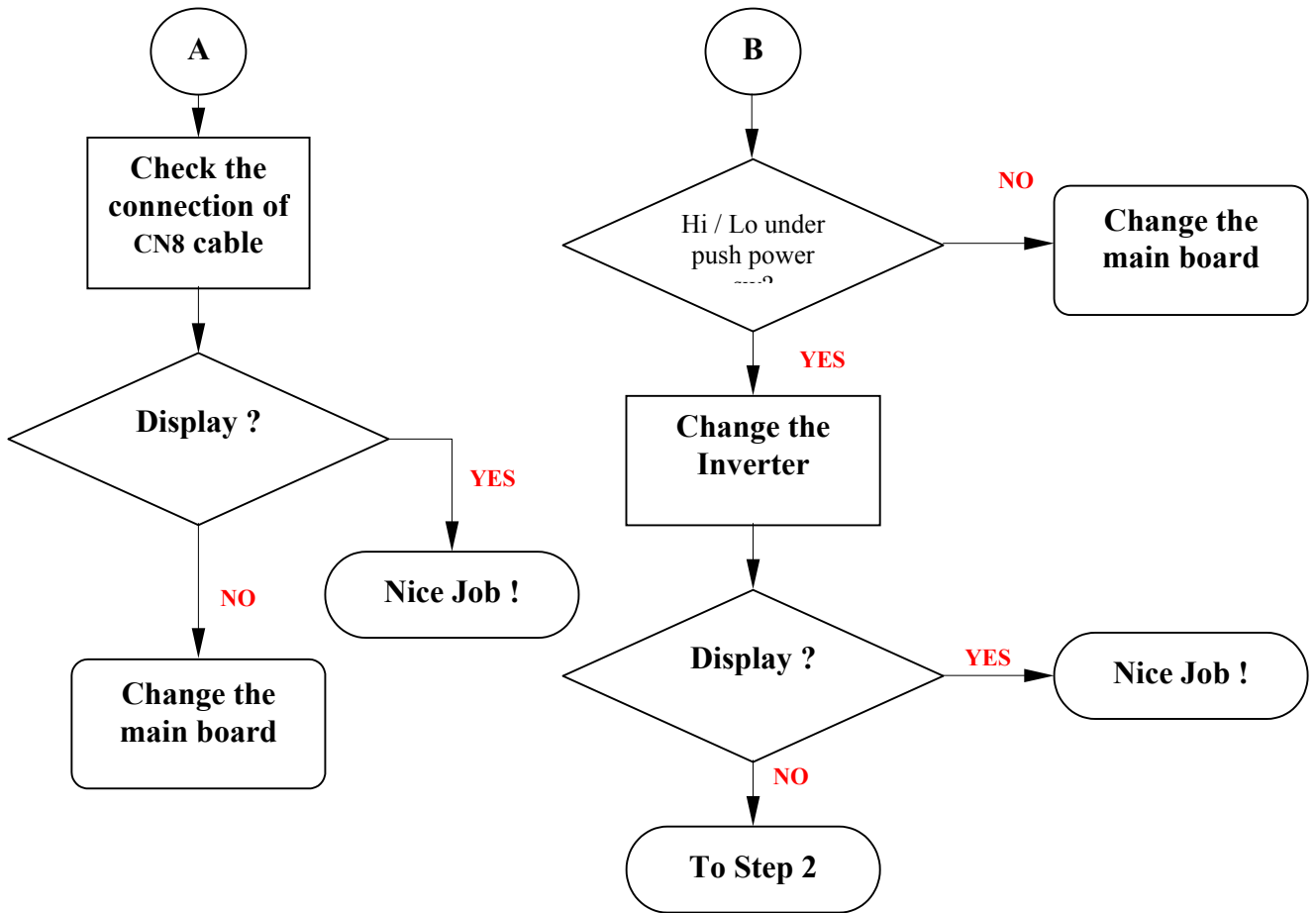


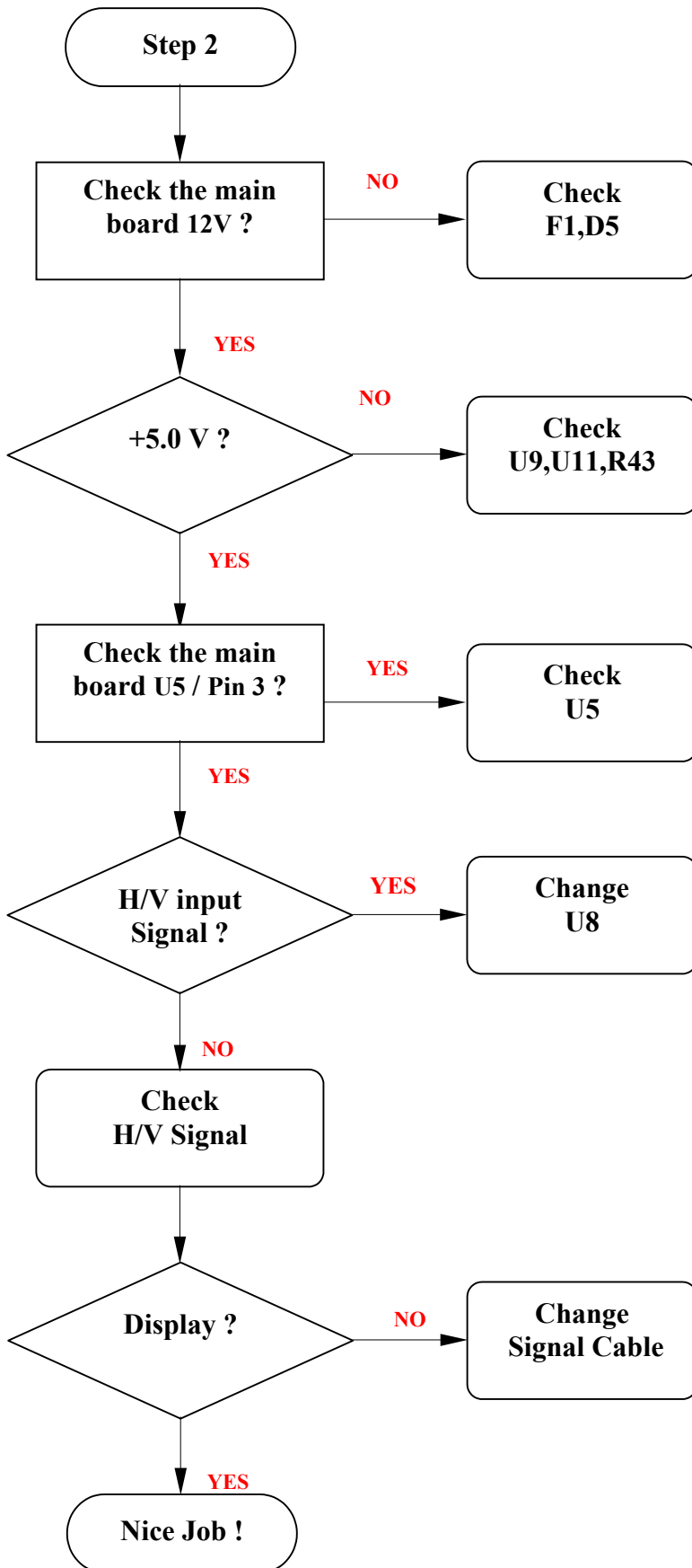
F. ADJUSTMENT PROCEDURE

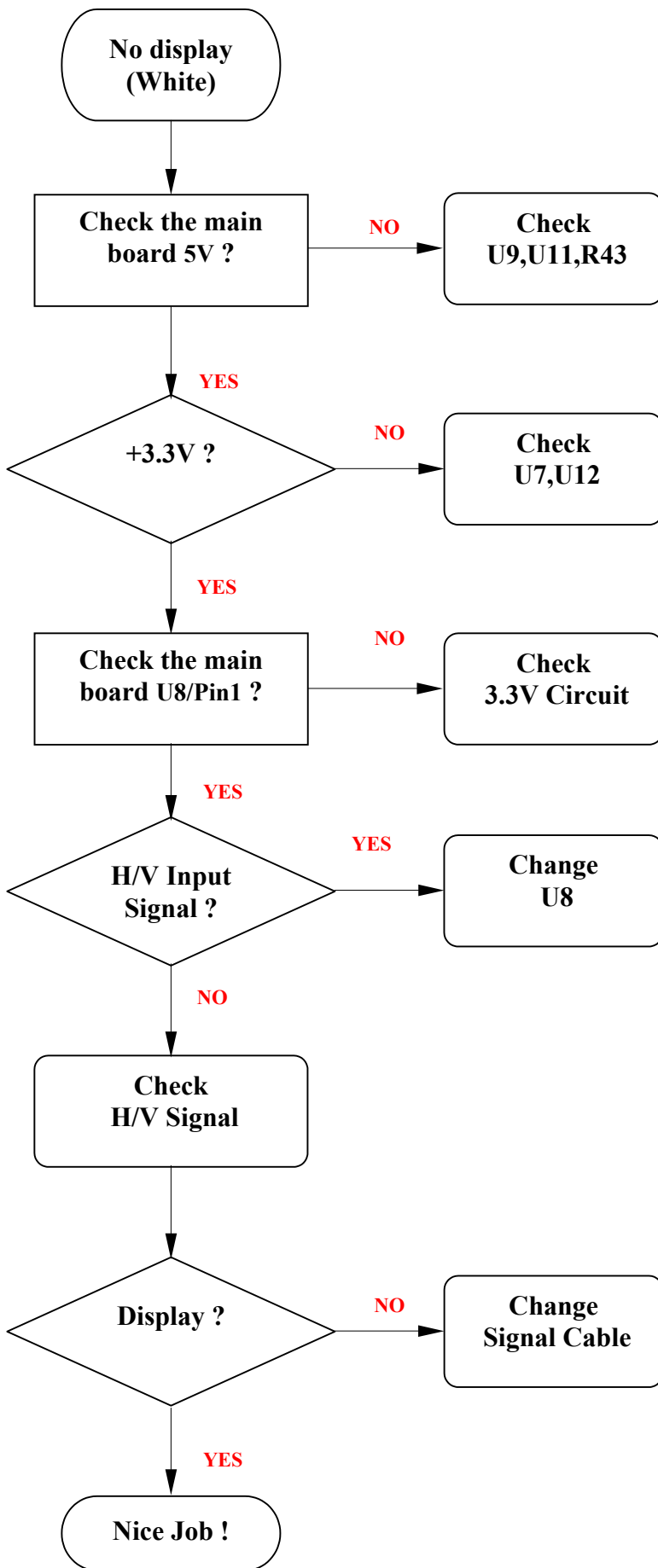
ITEM Program Menu.		# Test Meter * Test Point @ Pattern	Operation	Check Value
A	B+ Check	# Digital Voltmeter * CN7 @ Crosshatch Pattern (31.5KHz,640x480)	<ol style="list-style-type: none"> 1. Plug power cable into the adapter, check adapter power indicator light up green. 2. Make sure the voltage of the power plug (CN7) on the main PCB to the value shown at right. 	12.0V ±0.2V
B	Power Saving Check	# Wattmeter # PC or Pattern generator @ Crosshatch Pattern (31.5KHz,640x480)	<ol style="list-style-type: none"> 1. Unplug the signal cable into the monitor. 2. Turn the power switch of the monitor ON. 3. Check monitor power indicator light up orange. 4. Make sure the wattmeter value shown at right. 5. OSD will be display “NO SIGNAL” Picture. 	< 2.5W
C	Into Factory mode	# PC or Pattern generator @ Crosshatch Pattern (31.5KHz,640x480)	<ol style="list-style-type: none"> 1. Hold < key, then turn the power switch of the monitor OFF. 2. Hold > key, then turn the power switch of the monitor ON. 3. You can into factory adjustment mode. 	
D	Auto mode Check	# PC or Pattern generator @ Crosshatch Pattern (1024x768/60Hz)	<ol style="list-style-type: none"> 1. Press and release the MENU knob to activate the OSD menu. 2. Move the OSD to the AUTO function, press MENU key auto adjust display mode to its utmost performance according to VGA setting. 3. In the event of the display image needs further adjustment 	
E	White Balance Adjust	# PC or Pattern generator @ White Pattern (1024x768/60Hz)	<ol style="list-style-type: none"> 1. Move the OSD to the COLOR mode (AUTO COLOR). 2. set color is 9300°K using the OSD, Check the value shown at right. 3. set color is 6500°K using the OSD, Check the value shown at right. 	Y = 220 ±0.1FL x = 0.283 ±0.01 y = 0.297 ±0.01
F	OSD Language Setting	# PC or Pattern generator	<ol style="list-style-type: none"> 1. Move the OSD to the LANGUAGE mode. 2. You can choose one of the eight language you need. 	

G. TROUBLE SHOOTING HINTS









H. REPLACEMENT PARTS LIST

570

NO	Parts No.	Description	Part Location	Q'ty
1	988-1L0-1032C	SH570		1
2	002-G01-FUJIT	FUJITSU Warranty card		1
3	003-402-FUJIT	SH570 User's Manual for FUJITSU		1
4	003-402-FUJIT	SH570 Carton Label for FUJITSU		1
5	005-005-FUJIT	SH570 Carton FUJITSU Logo		1
6	153-006-FUJIT	SH570 Back Label FUJITSU Logo		1
7	170-005-LCD5	LCD 15" PE Bag		1
8	826-000-SH570T	SH570		1
9	160-000-SH570L-A	SH570 Polyfrom L EPS		1
10	160-000-SH570R-A	SH570 Polyfrom R EPS		1
11	170-000-0848C	PE Bag 0.07MM 14x30.5cm		1
12	170-005-VM541	PE Bag 300X200mm		1
13	835-011-SH570	SH570 S5 Driver for FUJITSU		1
14	846-120-C0AL-S	Adapter 12V 36W		1
15	999-L02-SH570	SH570 TUV/TCO99		1
16	705-350-901A	AU 15" LCD Slim Panel		1
17	849-20S-5703	Inverter for AU 3P		1
17	899-00M-SH570-S5	SH570 M/B REV:S5 AU Panel		1
18	851-00M-SH570-S5	SH570 M/B REV:S5 AU DIP		1
19	152-000-SH570	TOSHIBA DC Jack Support NYLON.		1
20	232-R02-505T	WR-C-5W 0.020ohm 5%	R43,	1
21	330-100-16255	5mm EC 10uF 16V 105C M TP MI.	C104,	1
22	330-101-16255	5mm EC 100uF 16V 105C M TP MI.	C6,C39,C42,C64,C75,C101,C124,	7
23	330-221-16255	EC H:5mm 220uF16V +-20% 105C	C38,C40,C48,C59,C79,C119,	6
24	330-2R2-50275	E.CAP 2.2UF/50V +-20% 4*7 105C	C123,	1
25	330-470-16255	EC 47uF 16V 5*5 105C	C37,	1
26	409-003-0110	DC Jack	JP8,	1
27	409-003-0111	Red RCA Jack	CN11,	1
28	409-003-0112	White RCA Jack	CN10,	1
29	485-415-0005B	DB15 (D-SUB) 15P Blue	CN9,	1
30	504-000-6300L	Reset IC V6300L TD92.	TU2,	1
31	504-007-A431	KIA431/KEC	TU3,	1
32	520-007-5822	IN5822(DIP) Shottky 30V/3A ZZ	D4,	1
33	531-110-49US	11.0592MHZ HC 49US Crystal	X1,	1
34	531-120-49US	12MHZ HC 49US Crystal 30PPM.	X2,	1
35	630-002-1008	JWT A2001 PITCH 2.00mm 2P	CN8,CN7,	2
36	630-006-1008	JWT A2001 PITCH 2.00mm 6P.	CN5,	1
37	630-008-C001	JST 1.5mm Header ZR S8B-ZR.	CN2,	1
38	745-470-20621	CHOKE <u>47UH@3A</u>	L7,	1
39	852-00M-SH570-S5	SH570 M/B REV:S5 AU SMD		1
40	200-100-SH570	SH570 Main Board PCB REV:S5	Main PCB,	1

41	281-031-20014	SMD R 2K 1% 0603	R55,	1
42	281-031-62014	SMD R 6.2K 0603.	R46,	1
43	281-035-0R04	RES 0ohm 5% 1/10W 0603 SMD	L11,L12,L25,L26,L27,R21,R47,R50,R51,R63,R64, R65,S1,S2,	14
44	281-035-1014	RES 100 5% 1/10W 0603 SMD	R42,R44,R45,R82,	4
45	281-035-1024	RES 1K 5% 1/10W 0603 SMD	R6,R7,R24,R29,R30,R31,R33,R37,R73,	9
46	281-035-1034	RES 10K 5% 1/10W 0603 SMD	R2,R8,R9,R15,R34,R35,R36,R48,R61,R70,	10
47	281-035-1054	RES 1M 5% 1/10W 0603 SMD	R53,R17,	2
48	281-035-2034	RES 20K 5% 1/10W 0603 SMD	R56,R59,R78,R80,R84,R87,R88,R90,	8
49	281-035-2224	RES 2.2K 5% 1/10W 0603 SMD	R22,R25,R40,R41,R52,R81,R83,	7
50	281-035-3304	RES 33ohm 5% 1/10W 0603 SMD	R3,R5,R13,R14,	4
51	281-035-3314	RES 330 5% 1/10W 0603 SMD	R1,R12,	2
52	281-035-3334	RES 33K 5% 1/10W 0603 SMD	R85,R57,	2
53	281-035-4704	RES 47ohm 5% 1/10W 0603 SMD	R72,R68,R71,	3
54	281-035-4724	RES 4.7K 5% 1/10W 0603 SMD	R4,R11,R19,R20,R28,R32,R39,	7
55	281-035-4734	RES 47K 5% 1/10W 0603 SMD.	R66,R67,	2
56	281-035-5114	RES 510 5% 1/10W 0603 SMD.	R10,	1
57	281-035-7504	SMD R 75 ohm 0603.	R74,R75,R76,	3
58	282-330-2454	RES-NET 33ohm 5% SMD 8P4R.	RP1,RP4,RP5,RP6,RP7,RP8,RP9,RP10,RP11,RP12, RP13,RP14,RP15,RP16,	14
59	282-472-2454	RES-NET 4.7K 5% SMD 8P4R.	RP3,	1
60	381-151-032554	SMD CC 150PF 25V NPO 0603.	C77,	1
61	381-220-032554	SMD CC 22pF 25V NPO 0603.	C17,C18,C56,C62,C70,C97,C98,C127,	8
62	381-301-032554	SMD CC NPO 25V 300PF 5% 0603.	C68,	1
63	381-330-032554	NPO 33PF/25V +-5% 0603 SMD	C100,C131,	2
64	382-103-032564	SMD CC 0.01uF/25V X7R 0603.	C47,C50,C60,C72,C74,C82,C86,C88,C93,C107,C110 C112,C90,	13
65	382-393-032564	SMD CC 0.039uF/25V X7R 0603.	C84,	1
66	382-472-035064	X7R 4700pF/50V +-10% 0603 SMD	C87,C91,C94,	3
67	382-682-035064	X7R 6800P/50V +-10% 0603 SMD.	C135,C99,	2
68	385-104-032584	Y5V 0.1u/25V +80%- 20% 0603	C1,C2,C3,C4,C5,C7,C8,C9,C14,C15,C16,C20,C21,C23, C24,C25,C26,C28,C29,C33,C36,C41,C43,C44,C45,C46 C49,C51,C52,C53,C54,C55,C57,C58,C61,C63,C65,C66 C69,C76,C78,C83,C85,C89,C92,C95,C96,C111,C115, C116,C117,	54
69	385-105-031684	Y5V 1uF/16V +80-20% 0603.	C130,C132,C133,	3
70	481-LCC-0440	SOCKET 44PIN PLCC.	Socket for U2,	1
71	506-0AI-C1084	SMD REG. AIC1084CM 3.3V 5A.	U7,	1
72	506-0AI-CX33	AIC1720-33 CX3.3V 100mA SOT89.	U12,	1
73	506-0AP-4835	APA4835RI/ANPEC AUDIO AMP.	U14,	1
74	506-2AI-C1578	IC DC to DC IC.AIC1578(SMD).	U11,	1
75	506-524-LC21	Memory IC 24LC21 SMD.	U13,	1
76	506-5NM-24C16	24C16 SO8 MEMORY IC SMD.	U1,	1
77	506-774-LVT14	74LVT 14 ADCW HI SPEED.	U10,	1
78	506-800-358D	LM358D SO8 OP AMP IC.	U5,	1
79	506-SMA-SCOT-V	SCALER CHIP MASCOT V MRT.	U8,	1
80	506-XXP-2010A	IC EMI Reduction IC P2010A	U15,	1
81	518-02N-3904	NPN 2N3904S (SMD).	Q1,Q2,Q3,Q4,Q5,	5

82	518-1CE-9435	MOSFET CE9435A S08.	U4,U9,	2
83	528-2BA-T54C	SMD Diode BAT54C SOT23.	Q6,	1
84	558-352-5000	SMD Fuse 1206 24V 5A.	F1,	1
85	630-030-9003	30P 0.5mm OMRON XF2H-3015-1.	CN6,	1
86	630-045-9003	45P 0.5mm OMRON XF2H-4515-1.	CN3,	1
87	780-103-1510	Bead FCM1608K-151T06	L22,L23,L24,	3
88	780-103-3000	SMD Bead SBK160808300Y0603 30Ω	L13,L14,L15,L17,	4
89	780-104-6010	FB 0805/600ohm 100mHz.	L9,L10,L16,L20,L21,	5
90	780-107-1210	FB Bead 120R 100H 120ohm 1206.	L1,L6,L8,L18,S3,S4,	6
91	899-400-SH570	SH-570 Control Board ASS'Y.		
92	851-400-SH570	SH-570 Control Board ASS'Y.		1
93	200-701-0570	570/770 Control Board REV:S3	PCB,	1
94	403-722-0502	SMD Tact SW H3. 1mm 100g	S1,S2,S3,S4,S5,	5
95	528-LPB-3025	SMD LED Green (KPB-3025SGYW).	D1,	1
96	630-008-S001R	SMD 1.0 Base 8PIN	J1,	1
97	902-SH0-1002C	SH-570 TUV/GS TCO99 Ass'y AU(FUJITSU		1
98	123-B01-SH570-A	SH570 Frant Panel FUJITSU Logo 425C	Frant Panel (Color :Silver)	1
99	123-C01-SH570-A	SH570 Rear Cover A5052P T=1.0.	Rear Cover	1
100	154-000-5TAU-B	AU Main Frame ABS/PC 8403C		1
101	110-3R0-20649	Screw M3*Φ5.2**5.5.		4
102	110-3R0-2064B	Screw M3*Φ5.0*6.0.		2
103	154-001-SH570-A	TOSHIBA Key Set ABS/HB		1
104	154-002-SH570	AU Speaker Lock Knob ABS/HB		2
105	154-005-SH570	Key Panel PMMA T=1.5mm.		1
106	600-181-0400	Power Cord (Detachable for Germany)	Power Cord	1
107	610-151-15RM-1	SH570/770 Wire UL20276 1.5m		1
108	631-003-A014-C	Audio Cable 3.5D Stereo to 2*RCA	Audio Cable	1
109	820-300-5TST	SH570 Stand Ass'y .		
112	121-300-5TST	Bracket Ass'y		1
111	121-300-SH570	Bracket Ass'y		1
112	121-000-SH570-A	SH570 Bracket SPCC T=1.0mm		1
113	121-001-SH570-A	SH570 Lock Plate SPCC T=1.0mm		1
114	123-003-SH570	SH570 Bracket Spring		1
115	132-300-SH570	Spring Ass'y		1
116	101-003-3033	Screw M3*3 ISO		1
117	132-001-SH570	SH570 Lock Spring		1
118	820-000-5TST	SH570 Stand Ass'y		
119	123-700-5TST	SH570 Base Ass'y		1
120	123-000-SH570	SH570 Hinge Cover A6063		1
121	123-002-SH570	SH570 Base Pin SUS304		2
122	123-700-SH570	SH570 Base A6063		1
123	123-701-SH570	SH570 Base Neck A6063?		1
124	126-000-SH570	SH570 Hinge TOSHIBA.		1
125	123-70X-5TST	SH570 Base Ass'y		1

126	101-010-4033	Screw M4*10 ISO		2
127	132-000-SH570	SH570 Base Spring 5.2*30.8.		1
128	153-001-SH570	SH570 Rubber Foot		5
129	154-003-SH570	TOSHIBA Base Locket POM		1
130	154-008-SH570	PVC film 115*1.5*0.5T		1
131	170-F00-SH570	SH-570 Bag for Base Ass'y		1
132	824-000-SH570	SH570 Speaker with Box		
133	100-006-2011	Screw M2*3mm TP1		4
134	101-005-3033	Screw M3*5 ISO		2
135	109-006-3033	Screw AU (M3*6.0*HEX1.5)		3
136	121-002-SH570	570 Bracket Hook Spec. T=1.0mm.		2
137	123-001-SH570	SH570 TOSHIBA Speaker Body A6063.		1
138	123-004-SH570	Speaker Net.		1
139	126-002-SH570	SH570 Speaker CN Contact		4
140	132-00L-SH570	SH570 Speaker Spring Left		1
141	132-00R-SH570	SH570 Speaker Spring Right		1
142	152-001-SH570L	Speaker Support Left ABS/HB 8403C.		1
143	152-001-SH570R	Speaker Support Right ABS/HB 8403C		1
144	152-002-SH570	TOSHIBA CN Housing 2 NYLON66.		2
145	620-120-2000	LCD Wire UL1061#28AWG (Black) 120mm		4
146	710-203-SHSE	Speaker 3W/8ohm 34*34mm.		2
147	760-300-0027	LCD Core K5A RH 12.7*10*7.9mm		2
148	827-002-SH570	SH-570 LCD Cover Ass'y for AU.		
149	101-005-3033	Screw M3*5 ISO		10
150	101-008-3013	Screw 3*8 TP1		2
151	109-006-3033	Screw AU (M3*6.0*HEX1.5)		6
152	109-120-3033	Screw M3*12*HEX1.5		2
153	110-3R0-20649	Screw M3*Φ5.2**5.5.		4
154	110-3R0-2064B	Screw M3*Φ5.0*6.0.		2
155	110-3R0-2064C	Screw 3.0*6*6.0.		5
156	121-001-SH570L-A	SH570 AU LCM Bracket Left		1
157	121-001-SH570R-A	SH570 AU LCM Bracket Right		1
158	123-005-SH570	Shield Cover		1
159	123-00L-SH570	SH570 Speaker Lock Left		1
160	123-00R-SH570	SH570 Speaker Lock Right		1
161	126-015-ALM2	LCD Aluminium foil 70*W15mm		2
162	126-030-ALM3	Aluminium foil 80X30mm.		1
163	126-030-ALM7	Aluminium foil 70X30mm for EMI		3
164	126-040-ALM1	LCD Aluminium foil 100*W40mm		1
165	126-040-ALM2	LCD Aluminium foil +PE L40*W40		1
166	126-160-ALM1	LCDL Type Aluminium foil 150*160m		1
167	131-030-2120	D-Sub Connector Screw		1
168	154-004-SH570-A	LDE LENS		1
169	154-006-SH570-A	MYLAR Sheet T=0.1mm.		1

170	154-013-SH570	Nylon Insert T=3.7		2
171	154-014-SH570	Nylon Insert T=4.2		4
172	154-015-SH570	Nylon Insert T=1.5		2
173	506-178-E62BP-40	SMD CPU IC (WINBOND:W78E62BP-40)	MCU,	1
174	631-006-7020-T	SH570/770 Wire 1061#28 6P2.0mm		1
175	631-008-G010-W	SH570/770 Wire 8P 280mm With Core	CTR/B->M/B,	1
176	631-030-F162	FFC 0.5 30P L:162mm For 570		1
177	631-045-F170	FFC 0.5 45P L:178mm For 570		1
178	631-800-0001L	Speaker Connector Ass'y L		1
179	126-001-SH570-A	SH570 CN Contact TOSHIBA		2
180	152-001-SH570-A	TOSHIBA CN Housing 1 NYLON66		1
181	631-002-7007-T	LCD Twist Wire 2P 2.0mm Pitch 130mm		1
182	631-800-0001R	Speaker Connector Ass'y R		1
183	126-001-SH570-A	SH570 CN Contact TOSHIBA		2
184	152-001-SH570-A	TOSHIBA CN Housing 1 NYLON66		1
185	631-002-7006-T	LCD Twist Wire 2P 280mm 2.0 Pitch		1
186	760-100-2337	SH570 EMI Core RP23*3*7mm		2
187	760-100-31512	Core K5ARP 31X5X12mm		2
188	760-300-0026	LCD Ferrite Core K5A 16*5*9mm		1

SAMPO CORPRATION

SPECIFICATION OF INVERTER (DIVTL0144-D21--)

11.PARTS LIST:

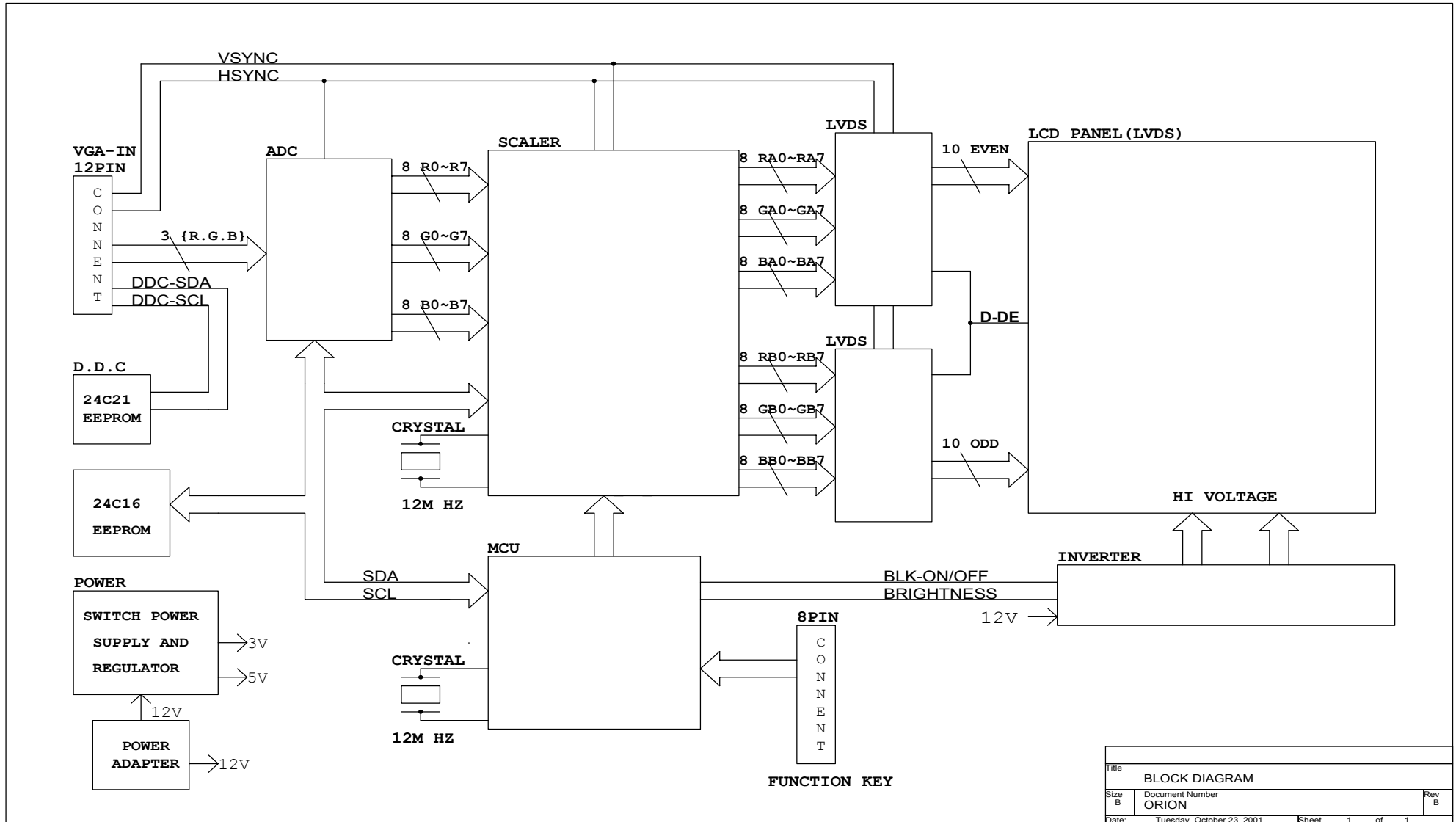
NO.	REF.	PART NAME	PART NUMBER	QTY	MAKER	REMARK
1.	CON1	CONNECTOR	GLS6B-PH	1	GLE,FCN,JST,CSE	
2.	CON2,3	"	SBHM-001T-P0.5	2	JST,AMP,CSE,GLE	
3.	R1	RESISTOR	0603 75K Ω 5%	1	YAGEO,TDK,PHILIPS	
4.	R4,23	"	0603 47K Ω 1%	2	YAGEO,TDK,PHILIPS	
5.	R5,15	"	0603 10K Ω 5%	2	YAGEO,TDK,PHILIPS	
6.	R6	"	0603 15K Ω 5%	1	YAGEO,TDK,PHILIPS	
7.	R7	"	0603 20K Ω 5%	1	YAGEO,TDK,PHILIPS	
8.	R8,25	"	0603 0 Ω 5%	2	YAGEO,TDK,PHILIPS	
9.	R9	"	0603 270K Ω 5%	1	YAGEO,TDK,PHILIPS	
10.	R10	"	0603 6.8K Ω 5%	1	YAGEO,TDK,PHILIPS	
11.	R11	"	0603 470 Ω 5%	1	YAGEO,TDK,PHILIPS	
12.	R12	"	0603 3.9K Ω 5%	1	YAGEO,TDK,PHILIPS	
13.	R13	"	0603 100 Ω 5%	1	YAGEO,TDK,PHILIPS	
14.	R14	"	0603 18K Ω 5%	1	YAGEO,TDK,PHILIPS	
15.	R16,17,18,19	"	1206 1K Ω 5%	4	YAGEO,TDK,PHILIPS	
16.	R20,21,22	"	0805 1K Ω 1%	3	YAGEO,TDK,PHILIPS	
17.	Q1	TRANSISTOR	DTC144WKA	1	ROHM	
18.	Q2	"	DTA144WKA	1	ROHM	
19.	Q3	"	SST3904 MMBT3904	1	ROHM MOTOROLA DIODES,SECOS	
20.	Q4	"	SST3906 MMBT3906	1	ROHM MOTOROLA DIODES,SECOS	
21.	Q5	"	9435A	1	VISHAY,CEM,SDM ST,SANYO	
22.	Q6,Q7	"	2SD2150	2	ROHM,ST,SANYO	
23.	C1	CAPACITOR	DIP EC 100 μ F/25V	1	NAKAMA,HERMEI, SANYO	
24.	C3	"	0805 X7R 0.1 μ F/50V	1	TDK,PHILIPS,YAGEO	
25.	C4	"	SMD 2.2 μ F/50V	1	LELON,TEAPO	
26.	C5	"	0805 X7R 0.001 μ F/25V	1	TDK,PHILIPS,YAGEO	
27.	C6	"	0805 X7R 0.22 μ F/25V	1	TDK,PHILIPS,YAGEO	
28.	C7,9,14	"	0805 Y5V 1 μ F/25V	3	TDK,PHILIPS,YAGEO	

SAMPO CORPRATION

SPECIFICATION OF INVERTER (DIVTL0144-D21--)

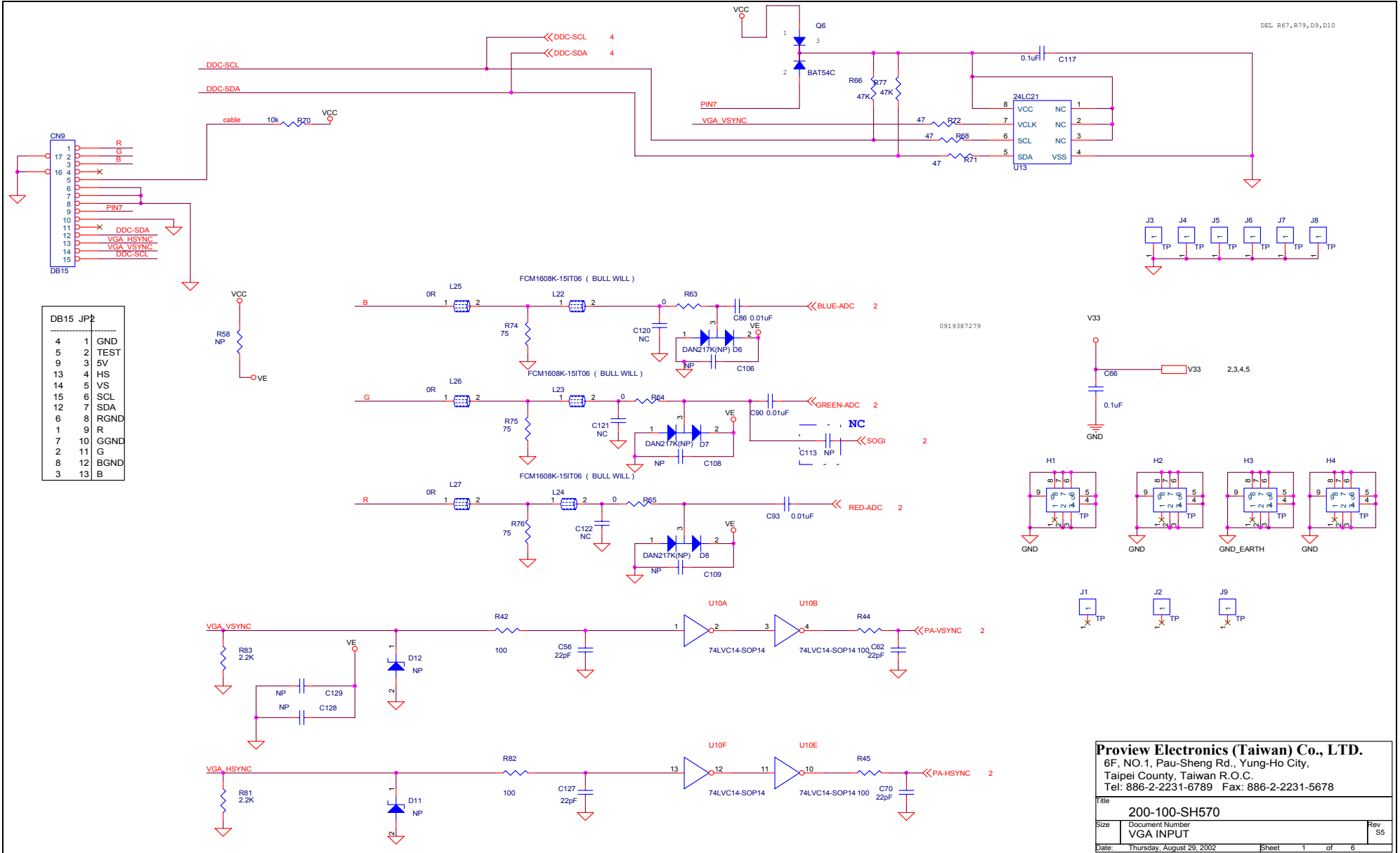
NO.	REF.	PART NAME	PART NUMBER	QTY	MAKER	REMARK
29.	C11	CAPACITOR	0.18 μ F/250V 0.18 μ F/100V	1	TAI YANG ARCO	
30.	C12,C13	"	22PF/3KV 10%	2	TDK,MURATA HOLY STONE	
31.	D1	DIODE	RB160L40 SM140A B140 SS14	1	ROHM SECOS DIODES TSC	
32.	D2	"	RLZ9.1B	1	ROHM,VISHAY	
33.	D3	"	DA204K BAV99-7	1	ROHM DIODES SECOS	
34.	F1	FUSE	2A/63V DC	1	BUSSMANN SAVE	Attachment Attachment
35.	L1	COIL	150 μ H 10%	1	YAO SHENG FRANCON CHILISIN	Attachment
36	PT1	TRANS	YST-C910 SA-C910	1	YAO SHENG SAMPO	Attachment
37.	IC	IC	SMD BA9741	1	ROHM	
38.	PCB	PCB	QPWBGL8621DG—	1	DM,CY,ES.J-3	

I. BLOCK DIAGRAM



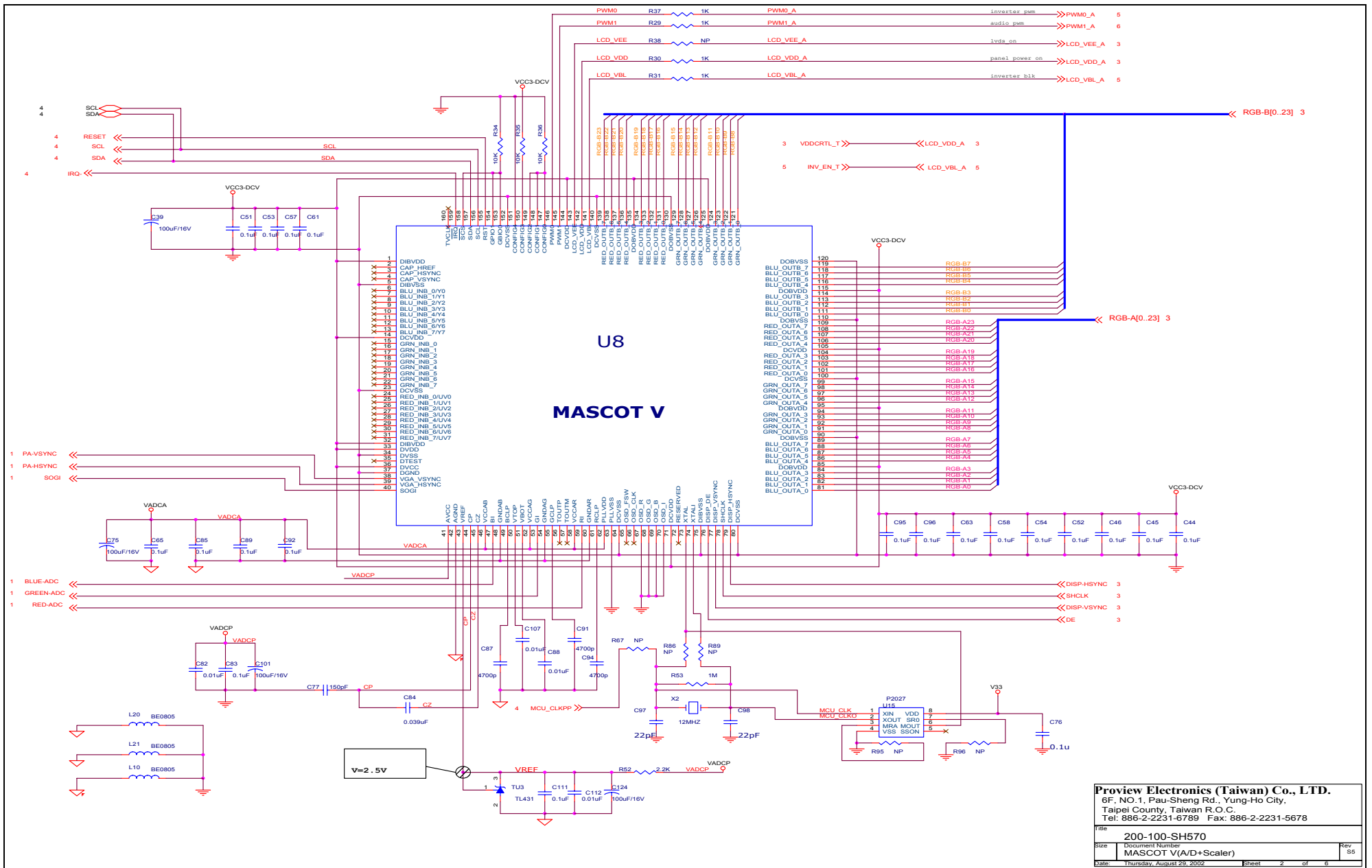
Title		
BLOCK DIAGRAM		
Size	Document Number	Rev
B	ORION	B
Date:	Tuesday, October 23, 2001	Sheet 1 of 1

J. SCHEMATIC DIAGRAM



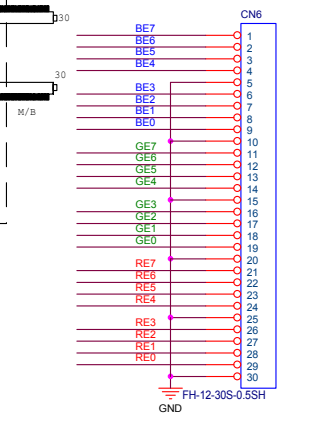
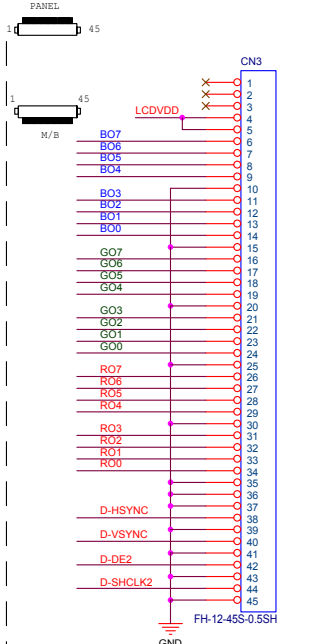
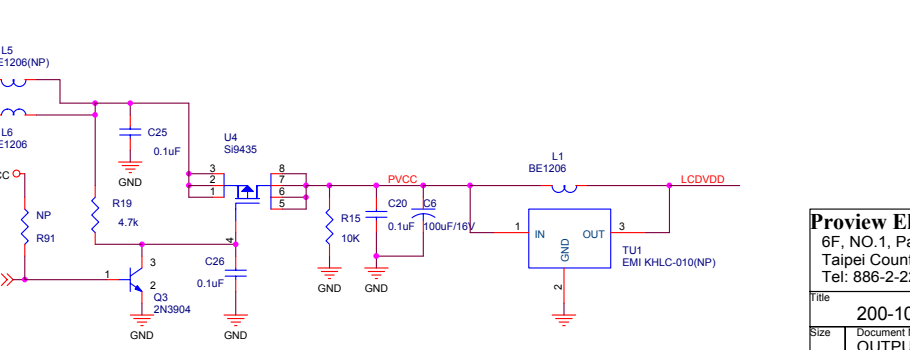
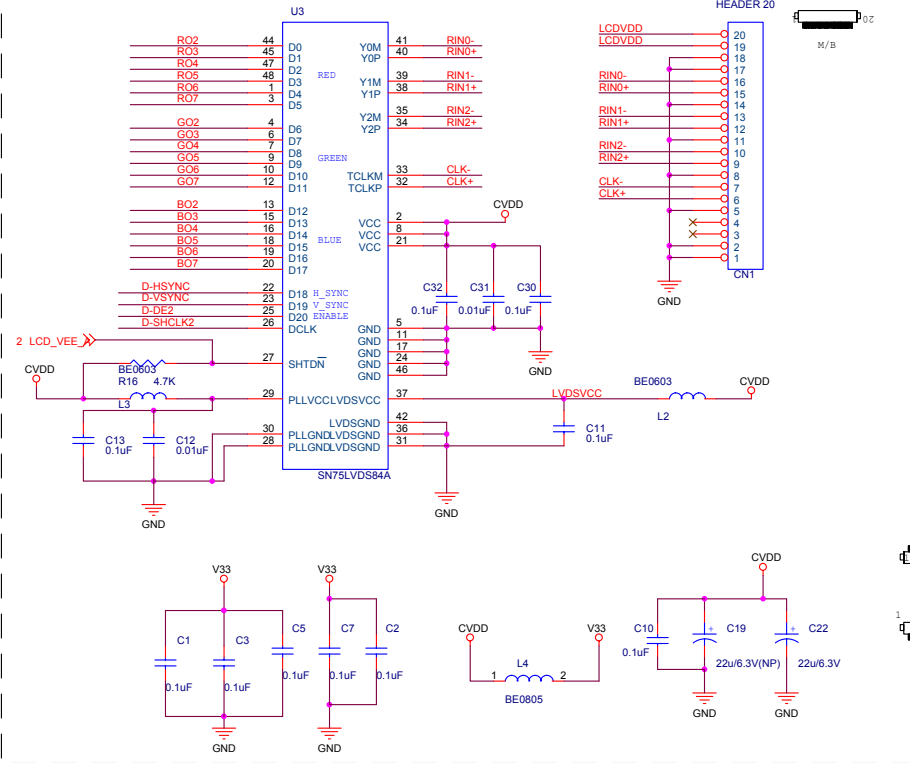
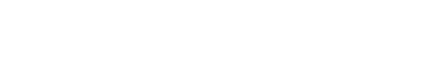
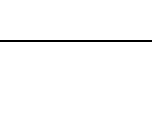
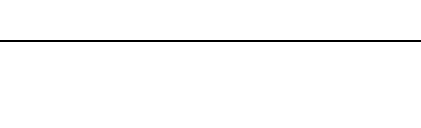
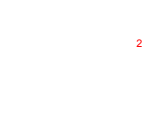
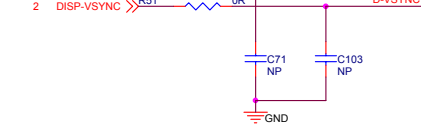
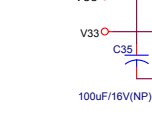
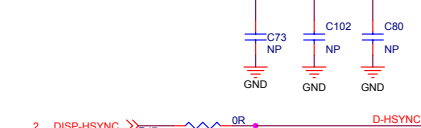
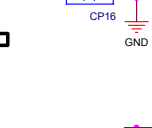
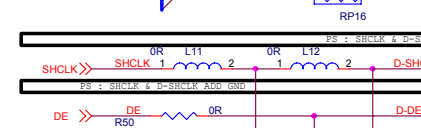
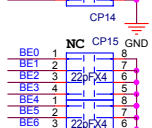
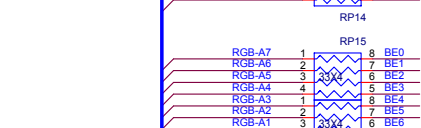
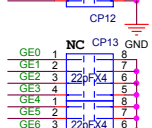
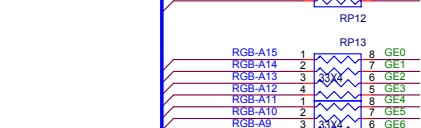
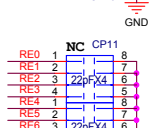
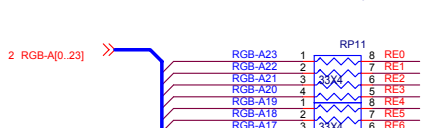
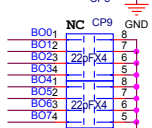
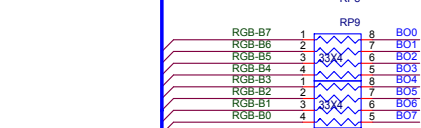
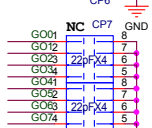
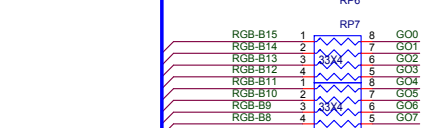
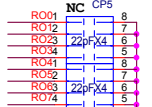
Proview Electronics (Taiwan) Co., LTD.
 6F, NO.1, Pau-Sheng Rd., Yung-Ho City,
 Taipei County, Taiwan R.O.C.
 Tel: 886-2-2231-6789 Fax: 886-2-2231-5678

File: 200-100-SH570
 Size: Document Number
 Document Number: VGA INPUT
 Date: Thursday, August 29, 2002 Sheet 1 of 6 Rev S5



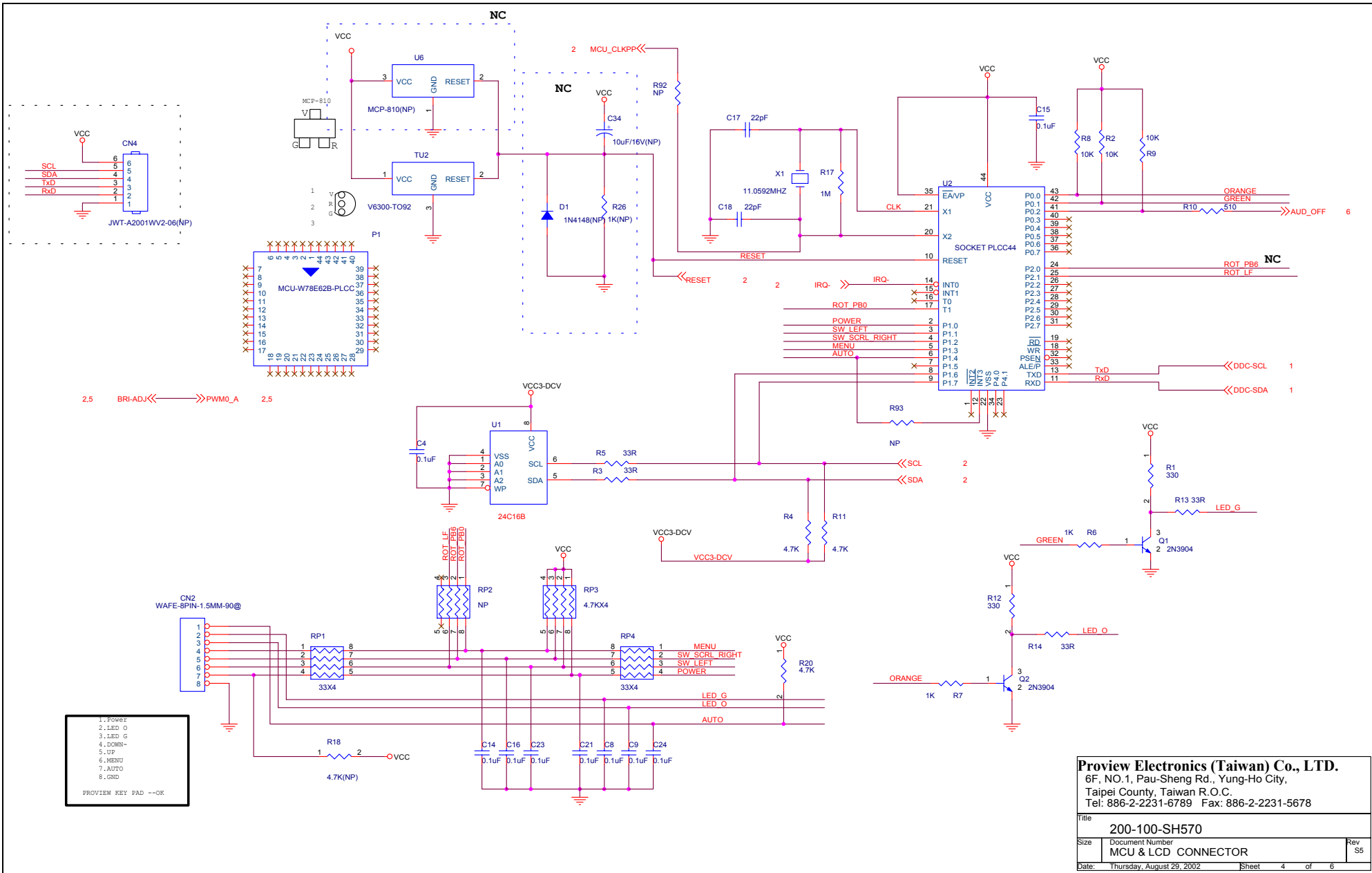
Proview Electronics (Taiwan) Co., LTD.
 6F, NO.1, Pau-Sheng Rd., Yung-Ho City,
 Taipei County, Taiwan R.O.C.
 Tel: 886-2-2231-6789 Fax: 886-2-2231-5678

Title	200-100-SH570	
Size	Document Number	Rev 85
MASCO V(A/D+Scaler)		
Date	Thursday, August 29, 2002	Sheet 2 of 6



Proview Electronics (Taiwan) Co., LTD.
 6F, NO.1, Pau-Sheng Rd., Yung-Ho City,
 Taipei County, Taiwan R.O.C.
 Tel: 886-2-2231-6789 Fax: 886-2-2231-5678

Title		
200-100-SH570		
Size	Document Number	Rev
	OUTPUT CONNECTOR	S5
Date:	Thursday, August 29, 2002	Sheet 3 of 6

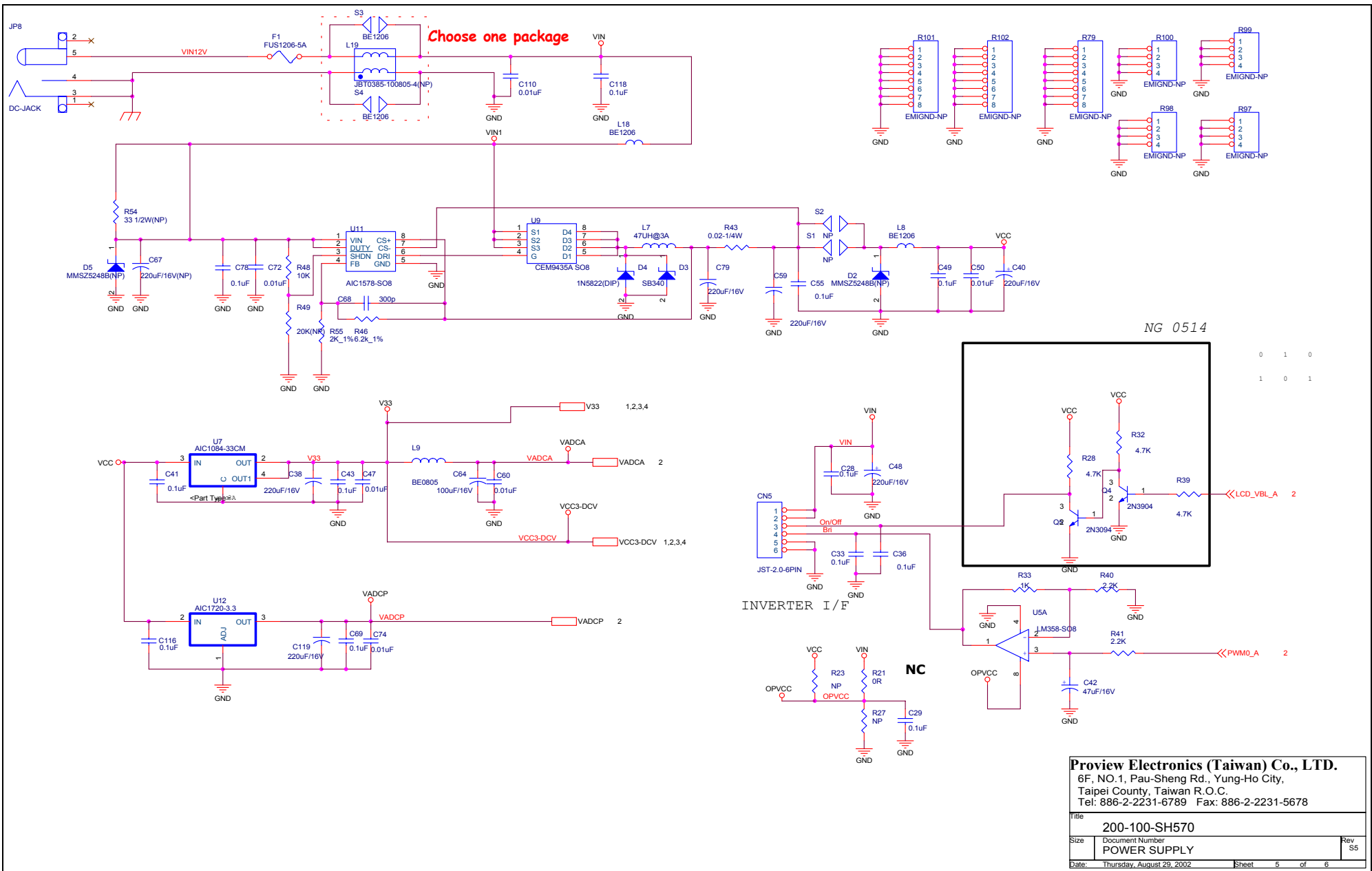


Proview Electronics (Taiwan) Co., LTD.
 6F, NO. 1, Pau-Sheng Rd., Yung-Ho City,
 Taipei County, Taiwan R.O.C.
 Tel: 886-2-2231-6789 Fax: 886-2-2231-5678

Title
 200-100-SH570

Size Document Number
 MCU & LCD CONNECTOR

Date: Thursday, August 29, 2002 Sheet 4 of 6

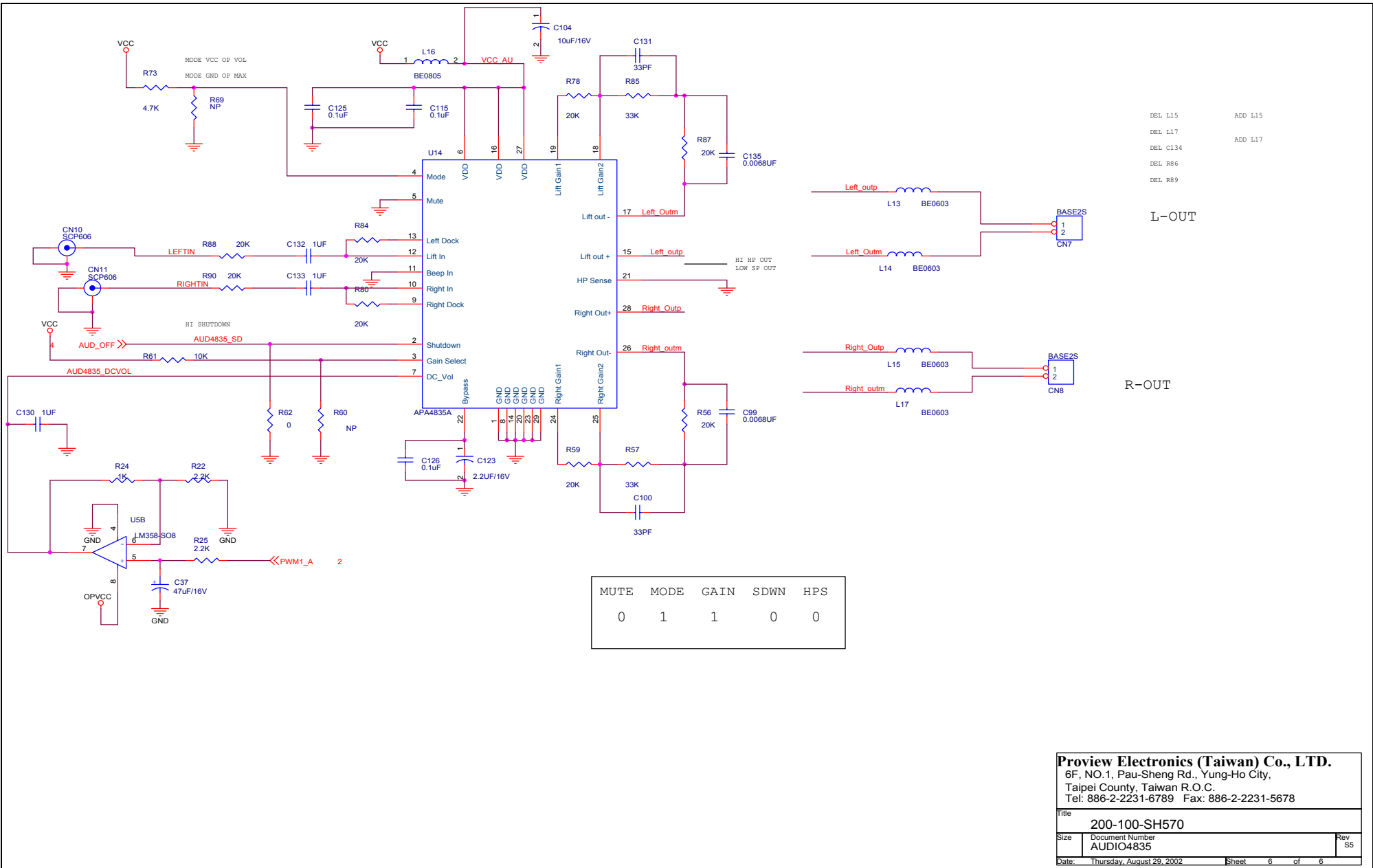


NG 0514

0 1 0
1 0 1

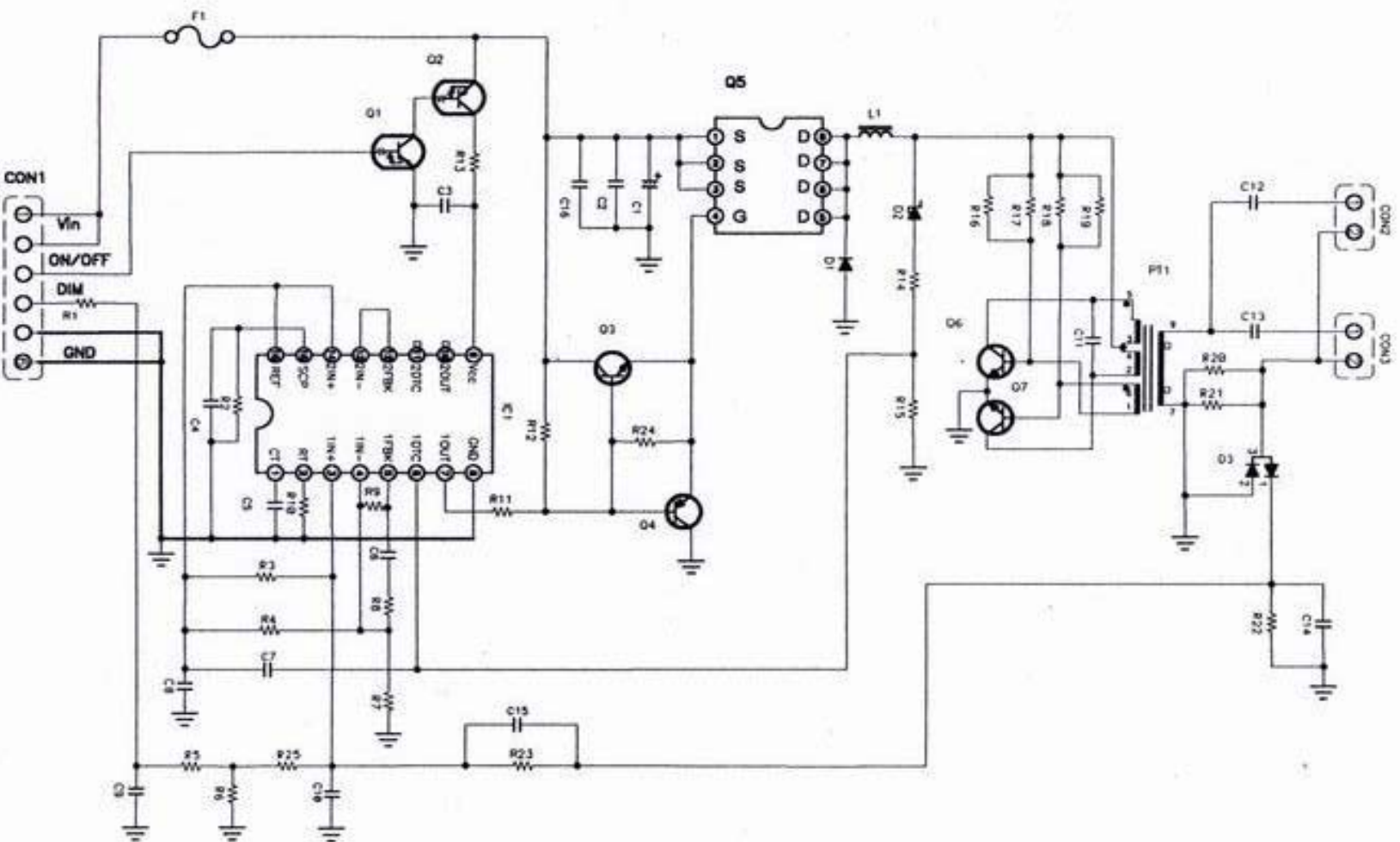
Proview Electronics (Taiwan) Co., LTD.
6F, NO.1, Pau-Sheng Rd., Yung-Ho City,
Taipei County, Taiwan R.O.C.
Tel: 886-2-2231-6789 Fax: 886-2-2231-5678

Title	200-100-SH570	
Size	Document Number	Rev
	POWER SUPPLY	S5
Date:	Thursday, August 29, 2002	Sheet 5 of 6



SAMPO CORPORATION
SPECIFICATION OF INVERTER (DIVTL0144-D21--)

7. CIRCUIT DIAGRAM:



Memu