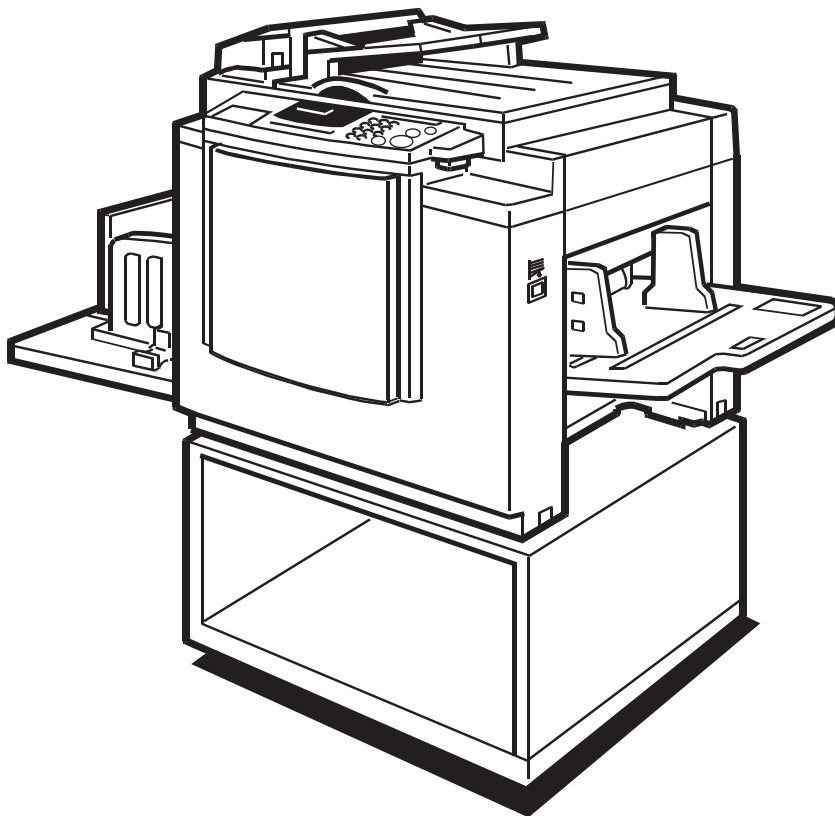


Gestetner **RICOH** **SAVIN**



C231

SERVICE MANUAL

RICOH GROUP COMPANIES

PN: RSCMC231

Gestetner[®]

RICOH[®]

savin[®]

C231
SERVICE MANUAL

RICOH GROUP COMPANIES

***Gestetner* RICOH SAVIN**

C231
SERVICE MANUAL

PN:RCSMC231

WARNING

The Service Manual contains information regarding service techniques, procedures, processes and spare parts of office equipment distributed by Ricoh Corporation. Users of this manual should be either service trained or certified by successfully completing a Ricoh Technical Training Program.

Untrained and uncertified users utilizing information contained in this service manual to repair or modify Ricoh equipment risk personal injury, damage to property. or loss of warranty protection.

Ricoh Corporation

LEGEND

PRODUCT CODE	COMPANY		
	RICOH	SAVIN	GESTETNER
C231	JP1030	3150DNP	5306L

DOCUMENTATION HISTORY

REV. NO.	DATE	COMMENTS
*	7/98	Original Printing

C231

TABLE OF CONTENTS

OVERALL INFORMATION.....	1-1
1.1 SPECIFICATION	1-1
1.2 GUIDE TO COMPONENTS AND THEIR FUNCTION	1-5
1.2.1 MACHINE EXTERIOR	1-5
1.2.2 MACHINE INTERIOR	1-6
1.2.3 OPERATION PANEL	1-7
Keys	1-7
Indicators	1-9
1.3 PRINTING PROCESS	1-10
1.4 MECHANICAL COMPONENT LAYOUT	1-11
1.5 ELECTRICAL COMPONENT LAYOUT	1-12
1.5.1 ADF	1-12
1.5.2 MAIN BODY	1-13
Boards	1-14
Motors	1-14
Solenoids	1-15
Switches	1-15
Sensors	1-15
Counters	1-16
Others	1-16
1.6 DRIVE LAYOUT	1-17
DETAILED SECTION DESCRIPTIONS.....	2-1
2.1 SCANNER AND OPTICS	2-1
2.1.1 BOOK SCANNER OVERVIEW	2-1
2.1.2 ADF OVERVIEW	2-2
2.1.3 CONTACT IMAGE SENSOR	2-4
2.1.4 DRIVE MECHANISM	2-5
Book Scanner	2-5
ADF	2-6
2.1.5 PICK-UP AND FEED (ADF)	2-7
2.1.6 SEPARATION MECHANISM (ADF)	2-8
2.1.7 ERROR CONDITIONS	2-9
Book Scanner	2-9
ADF	2-9
2.2 IMAGE-PROCESSING	2-10
2.2.1 OVERVIEW	2-10
2.2.2 A/D CONVERSION PROCESSING	2-11
Shading Distortion Correction	2-11
Original Background Correction	2-12
Peak Hold	2-12

2.2.3	BINARY PROCESSING.....	2-13
	Data Compensation Processing.....	2-13
	MTF Correction	2-14
	Binary Processing in Letter/Photo Mode	2-14
	Error Diffusion	2-15
2.2.4	MAIN SCAN MAGNIFICATION.....	2-16
2.2.5	IMAGE POSITION ADJUSTMENT IN THE MAIN SCAN DIRECTION	2-17
2.2.6	PASTE SHADOW ERASE MODE	2-17
2.2.7	THERMAL HEAD.....	2-18
	Specifications.....	2-18
	Thermal Head Control.....	2-18
	Thermal Head Protection	2-18
	Remarks for Handling the Thermal Head.....	2-19
2.3	MASTER EJECT	2-20
2.3.1	OVERALL	2-20
2.3.2	MASTER CLAMPER OPEN MECHANISM.....	2-21
	Drum Position Lock Mechanism.....	2-21
2.3.3	MASTER EJECT ROLLER MECHANISM	2-22
2.3.4	PRESSURE PLATE MECHANISM	2-23
2.4	MASTER FEED	2-24
2.4.1	OVERALL	2-24
2.4.2	MASTER FEED MECHANISM.....	2-25
2.4.3	MASTER CLAMPER OPERATION AND TENSION ROLLER RELEASE MECHANISM	2-26
2.4.4	CUTTER MECHANISM	2-27
2.5	DRUM.....	2-28
2.5.1	OVERALL	2-28
2.5.2	DRUM DRIVE MECHANISM	2-29
2.5.3	INK SUPPLY MECHANISM	2-30
2.5.4	INK ROLLER MECHANISM.....	2-31
2.5.5	INK SUPPLY CONTROL	2-32
2.5.6	DETECTION OF MASTERS ON THE DRUM.....	2-33
2.6	PAPER FEED	2-34
2.6.1	OVERALL	2-34
2.6.2	PAPER FEED MECHANISM	2-35
2.6.3	PAPER FEED/SEPARATION PRESSURE ADJUSTMENT MECHANISM.....	2-36
2.6.4	REGISTRATION ROLLER MECHANISM.....	2-37
	Registration Roller Drive	2-37
	Registration Roller Up/Down Mechanism.....	2-38
2.6.5	PRINTING PRESSURE MECHANISM	2-39
2.6.6	PAPER TABLE MECHANISM.....	2-40
	Table Up and Down Mechanism	2-40
	Paper End Detection Mechanism.....	2-40
	Paper Table Side Fence Mechanism	2-41
	Paper Table Side-to-Side Shift Mechanism	2-41
	Side Fence Friction Pads	2-42

2.7 PAPER DELIVERY	2-43
2.7.1 OVERALL	2-43
2.7.2 PAPER DELIVERY UNIT DRIVE MECHANISM	2-44
2.7.3 PAPER SEPARATION FROM DRUM	2-45
2.7.4 EXIT PAWL DRIVE MECHANISM	2-46
2.8 ERROR DETECTION	2-47
2.8.1 ORIGINAL JAM DETECTION	2-47
2.8.2 MASTER EJECT JAM DETECTION	2-47
2.8.3 MASTER FEED JAM DETECTION	2-48
2.8.4 PAPER FEED JAM DETECTION	2-49
INSTALLATION.....	3-1
3.1 INSTALLATION REQUIREMENTS	3-1
3.1.1 OPTIMUM ENVIRONMENTAL CONDITION	3-1
3.1.2 ENVIRONMENTS TO AVOID	3-1
3.1.3 POWER CONNECTION	3-1
3.1.4 ACCESS TO MACHINE	3-2
3.2 INSTALLATION PROCEDURE	3-3
3.2.1 MAIN BODY	3-3
Accessory Check	3-3
Installation Procedure	3-4
3.2.2 AUTO DOCUMENT FEEDER (OPTION).....	3-9
Accessory Check	3-9
Installation Procedure	3-10
3.2.3 TAPE MARKER (OPTION)	3-14
Accessory Check	3-14
Installation Procedure - For C231 -	3-15
3.2.4 COLOR DRUM (OPTION)	3-17
3.2.5 INTERFACE BOARD (OPTION).....	3-18
Accessory Check	3-18
Installation Procedure	3-18
SERVICE TABLES.....	4-1
4.1 SERVICE REMARKS	4-1
4.1.1 MASTER FEED SECTION.....	4-1
1. Thermal Head Installation	4-1
2. Thermal Head Voltage Adjustment	4-1
4.1.2 PAPER FEED SECTION	4-1
1. Friction Pad	4-1
2. Paper Feed Roller and Paper Separation Roller	4-1
3. Paper Guide Plate Position for Registration Roller.....	4-1
4.1.3 DRUM AND DRUM DRIVE SECTION	4-2
1. Main Motor	4-2
2. Doctor Roller	4-2
3. Drum Master Clamper	4-2

4. Ink Roller Unit.....	4-2
5. Ink Pump.....	4-2
4.1.4 PAPER DELIVERY SECTION	4-3
1. Exit Pawl	4-3
4.1.5 ELECTRICAL COMPONENTS	4-3
1. Main Processing Unit (MPU) 1	4-3
2. Main Processing Unit (MPU) 2.....	4-3
3. Power Supply Unit.....	4-3
4. Sensor Adjustments	4-3
4.2 DIP SW, LED, VR, TP, AND FUSE TABLES.....	4-4
4.2.1 TEST POINTS	4-4
MPU	4-4
4.2.2 POTENTIOMETERS.....	4-4
MPU	4-4
Power Supply Unit.....	4-4
4.2.3 LED'S.....	4-4
4.2.4 FUSES.....	4-5
MPU	4-5
PSU.....	4-5
4.3 SERVICE CALL CODES	4-6
4.4 SERVICE PROGRAM MODE	4-8
4.4.1 ACCESS PROCEDURE	4-8
Service Program Mode Access Procedure (For Engineers).....	4-8
Service Program Mode Access Procedure (For Users)	4-9
Change Adjustment Values or Modes.....	4-10
4.4.2 SERVICE PROGRAM TABLE	4-11
Remarks.....	4-20
4.4.3 INPUT/OUTPUT CHECK MODE	4-23
Input/Output Check Mode Access Procedure	4-23
Input Check Table	4-24
Output Check Table	4-26
4.5 TEST PATTERN IMAGE MODE.....	4-28
4.6 USER CODE MODE.....	4-29

PREVENTIVE MAINTENANCE..... 5-1
 5.1 MAINTENANCE TABLE

REPLACEMENT AND ADJUSTMENT..... 6-1
 6.1 EXTERIOR COVER REMOVAL

6.1.1 ADF.....	6-1
6.1.2 OPERATION PANEL.....	6-2
6.1.3 PLATEN COVER AND UPPER COVERS	6-3
6.1.4 TOP COVER AND EXPOSURE GLASS	6-3
6.1.5 OTHER COVERS	6-4

6.2	COPY IMAGE ADJUSTMENT	6-6
6.2.1	LEADING EDGE REGISTRATION ADJUSTMENT	6-6
6.2.2	SIDE-TO-SIDE REGISTRAION ADJUSTMENT	6-7
6.2.3	VERTICAL MAGNIFICATION ADJUSTMENT	6-8
6.2.4	LEADING EDGE BLANK MARGIN ADJUSTMENT	6-9
6.3	MPU REPLACEMENT	6-10
6.4	ORIGINAL FEED SECTION	6-11
6.4.1	ADF ROLLER ASSSEMBLY	6-11
6.4.2	PICK-UP ROLLER	6-11
6.4.3	FEED ROLLER	6-12
6.4.4	SEPARATION ROLLER	6-12
6.4.5	ADF MOTOR AND COVERS	6-13
6.4.6	R0 AND R1 ROLLERS	6-13
6.4.7	R2 ROLLER	6-14
6.4.8	DOCUMENT SENSOR	6-15
6.4.9	SCAN LINE SENSOR	6-15
6.4.10	COVER SENSORS	6-16
6.5	MASTER FEED SECTION	6-17
6.5.1	MASTER MAKING UNIT REMOVAL	6-17
6.5.2	THERMAL HEAD REMOVAL	6-19
	Remarks for thermal head installation	6-20
6.5.3	THERMAL HEAD VOLTAGE ADJUSTMENT	6-21
6.5.4	MASTER END SENSOR ADJUSTMENT	6-23
6.6	MASTER EJECT SECTION	6-24
6.6.1	MASTER EJECT UNIT REMOVAL	6-24
6.7	PAPER FEED SECTION	6-25
6.7.1	PAPER FEED ROLLER, PICK-UP ROLLER, AND FRICTION PAD	6-25
6.7.2	PAPER SEPARATION PRESSURE ADJUSTMENT	6-26
6.7.3	PAPER FEED PRESSURE ADJUSTMENT	6-27
6.7.4	REGISTRATION ROLLER CLEARANCE ADJUSTMENT	6-28
6.8	PRINTING SECTION	6-29
6.8.1	PRESS ROLLER REMOVAL	6-29
6.8.2	PRESS ROLLER LOCK LEVER ADJUSTMENT	6-30
6.8.3	PRINTING PRESSURE ADJUSTMENT	6-32
6.9	DRUM AND DRIVE SECTION	6-33
6.9.1	DRUM CLOTH SCREEN REMOVAL	6-33
	Remarks for the cloth screen installation	6-34
6.9.2	DRUM MASTER CLAMPER AND METAL SCREEN REMOVAL ..	6-36
	Remarks for drum screen installation	6-38
6.9.3	INK ROLLER UNIT REMOVAL	6-39
6.9.4	DOCTOR ROLLER GAP ADJUSTMENT	6-41
6.9.5	INK DETECTION ADJUSTMENT	6-43
6.9.6	INK PUMP REMOVAL AND PLUNGER POSITION ADJUSTMENT	6-44
6.9.7	MAIN DRIVE TIMING BELT TENSION ADJUSTMENT	6-46
6.9.8	MAIN MOTOR PULLEY POSITION ADJUSTMENT	6-48

6.10 PAPER DELIVERY SECTION	6-49
6.10.1 VACUUM UNIT REMOVAL.....	6-49
6.10.2 DELIVERY BELT/PAPER EXIT SENSOR REMOVAL.....	6-50
6.10.3 VACUUM MOTOR REMOVAL.....	6-51
6.10.4 EXIT PAWL CLEARANCE ADJUSTMENT	6-52
6.10.5 EXIT PAWL DRIVE TIMING ADJUSTMENT	6-53

TAPE MARKER C532

SPECIFICATIONS.....	7-1
----------------------------	------------

BASIC OPERATION	7-2
------------------------------	------------

2.1 OVERVIEW	7-2
2.2 DRIVE AND CUTTING MECHANISM.....	7-3
2.3 MANUAL CUT	7-4

REPLACEMENT AND ADJUSTMENT.....	7-5
--	------------

3.1 CUTTER REPLACEMENT	7-5
3.2 CUTTER HOME POSITION SENSOR REPLACEMENT.....	7-6
3.3 TAPE CUT LENGTH ADJUSTMENT	7-7

PRIORT CONTROLLER USER'S GUIDE.....	8-1
--	------------

POINT TO POINT DIAGRAM

IMPORTANT SAFETY NOTICES

PREVENTION OF PHYSICAL INJURY

1. Before disassembling or assembling parts of the printer and peripherals, make sure that the power cord is unplugged.
2. The wall outlet should be near the printer and easily accessible.
3. If any adjustment or operation check has to be made with exterior covers off or open while the main switch is turned on, keep hands away from electrified or mechanically driven components.

HEALTH SAFETY CONDITIONS

1. If you get ink in your eyes by accident, try to remove it with eye drops or flush with water as first aid. If unsuccessful, get medical attention.
2. If you ingest ink by accident, induce vomiting by sticking a finger down your throat or by giving soapy or strong salty water to drink.

OBSERVANCE OF ELECTRICAL SAFETY STANDARDS

1. The printer and its peripherals must be installed and maintained by a customer service representative who has completed the training course on those models.

CAUTION

The RAM has a lithium battery which can explode if handled incorrectly. Replace only with the same type of RAM. Do not recharge or burn this battery. Used RAM's must be handled in accordance with local regulations.

ATTENTION

La carte RAM comporte une pile au lithium qui présente un risque d'explosion en cas de mauvaise manipulation. Remplacer la pile uniquement par une carte RAM identique. Ne pas recharger ni brûler cette pile. Les cartes RAM usagées doivent être éliminées conformément aux réglementations locales.

SAFETY AND ECOLOGICAL NOTES FOR DISPOSAL

1. Dispose of replaced parts in accordance with local regulations.
2. Used ink and masters should be disposed of in an environmentally safe manner and in accordance with local regulations.
3. When keeping used lithium batteries (from the main processing units) in order to dispose of them later, do not store more than 100 batteries (from the main processing units) per sealed box. Storing larger numbers or not sealing them apart may lead to chemical reactions and heat build-up.

OVERALL INFORMATION

TAB
POSITION 1

DETAILED SECTION DESCRIPTIONS

TAB
POSITION 2

INSTALLATION

TAB
POSITION 3

SERVICE TABLES

TAB
POSITION 4

PREVENTIVE MAINTENANCE

TAB
POSITION 5

REPLACEMENT AND ADJUSTMENT

TAB
POSITION 6

TAPE MARKER C532

TAB
POSITION 7

PRIORT CONTROLLER USER'S GUIDE

TAB
POSITION 8

OVERALL INFORMATION

1. OVERALL INFORMATION

1.1 SPECIFICATION

Configuration:	Desktop		
Master Processing:	Digital with 300 dpi thermal head		
Scanning (Pixel Density):	Contact image sensor (300 dpi), with xenon lamp		
	* In Fine mode, 400 dpi in the sub-scanning resolution		
Printing Process:	Fully automatic one-drum stencil system		
Original Type:	Sheet/Book		
In Platen Mode:	Document size:		
	Maximum 257 x 364 mm	[10.2" x 14.4"]	
	Thickness: Less than 30 mm		
	Weight: Less than 5 kg		
In ADF Mode:	Document size:		
	Maximum 257 x 364 mm	[10.2" x 14.4"]	
	Minimum 148 x 105 mm	[5.8" x 4.1"]	
	Document weight:		
	50 - 90 g/m ² [13.3 - 23.9 lb]		
	(40 - 120 g/m ² [10.6 - 31.9 lb]		
		in single sheet feed)	
	ADF capacity:		
	30 sheets (using 20 lb or 80 g/m ² paper)		
Reproduction Ratios:		<u>Inch version</u>	<u>Others</u>
	Full Size:	100%	100%
	Reduction:	65%	71%
		74%	82%
		77%	87%
		93%	93%
	Enlargement:	121%	115%
		129%	122%
		155%	141%
Image Modes:	Letter, Photo, Letter/Photo, Fine, Tint		

SPECIFICATION

Printing Area: (At 20 °C/ 65 % RH)	B4 size drum models: 250 mm x 355 mm Legal size drum models: 210 mm x 355 mm [8.2" x 13.9"] A4 size drum models: 210 mm x 288 mm [8.2" x 11.3"]
Edge Margins:	Leading edge: 5 ± 3 mm (At the "0" position of Image Shift mode) Trailing edge: 2 mm
Print Paper Size:	Minimum: 90 mm x 148 mm [3.6" x 5.9"] Maximum: 267 mm x 390 mm [10.5" x 15.3"]
Print Paper Weight:	47.1 g/m ² to 157.0 g/m ² [12.5 lb to 41.7 lb]
Printing Speed:	80, 100, 120 sheets/minute (3 steps)
Master Process Time:	Platen mode: Less than 28 seconds (A4 paper) ADF mode: Less than 30 seconds (A4 paper)
Master Eject Box Capacity:	40 masters (Normal conditions) (30 masters at low temperatures)
Side Registration Adjustable Range:	± 10 mm
Vertical Registration Adjustable Range:	± 10 mm
Paper Feed Table Capacity:	1000 sheets (80 g/m ² / 20 lb)
Paper Delivery Table Capacity:	1000 sheets (80 g/m ² / 20 lb)
Power Source:	110/120 V, 50/60 Hz: 2.5 A 220 - 240 V, 50/60 Hz: 1.5 A
Maximum Power Consumption:	250 W
Noise Emission: (At operation position)	At 80 rpm printing speed: 71 dB At 100 rpm printing speed: 72 dB At 120 rpm printing speed: 72 dB

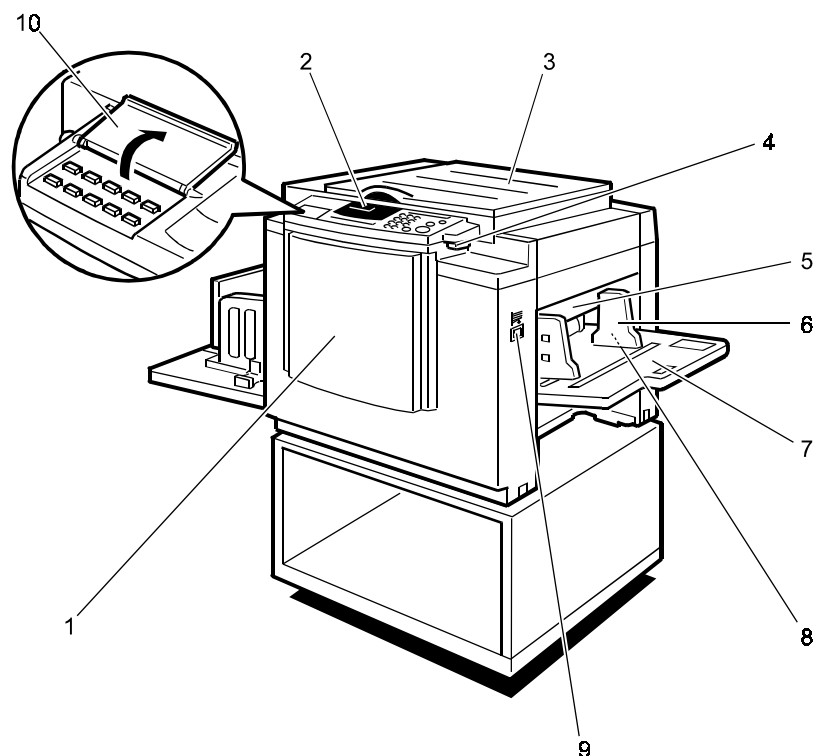
Weight:	65 kg [143.3 lb] 68 kg [149.9 lb] with ADF
Dimensions: (Width x Depth x Height)	Trays closed: 594 mm x 601 mm x 567 mm With ADF: 594 mm x 601 mm x 617 mm Trays open: 1187 mm x 601 mm x 567 mm With ADF: 1187 mm x 601 mm x 617 mm
Master Type:	<u>Master for B4 drum</u> Thermal master roll type: 280 mm width, 125 m/roll Yield: 260 masters/roll Max run length per master: 2,000 prints <u>Master for A4/Legal drum</u> Thermal master roll type: 240 mm width, 125 m/roll Yield: 300 masters/roll (A4 drum) 260 masters/roll (Legal drum) Max run length per master: 2,000 prints
Master Storage Conditions:	Temperature: 0 °C to 40 °C Humidity: 10% to 95% RH Recommended maximum storage period: One year after production date * Avoid locations exposed to direct sunlight.

SPECIFICATION

Ink Type	600 ml cartridge type Available colors: Black, Red, Blue, Green, Brown
Ink Storage Conditions:	Temperature: -5 °C to 40 °C (Optimum conditions: 15 °C to 25 °C) Humidity: 10% to 95% RH (Optimum conditions: 20% to 70% RH) Recommended maximum storage period: One year after production date * Avoid locations exposed to direct sunlight.
Available Options	<ul style="list-style-type: none">• Color Drum• Document Feeder• Key Counter• Tape Marker• PC Controller

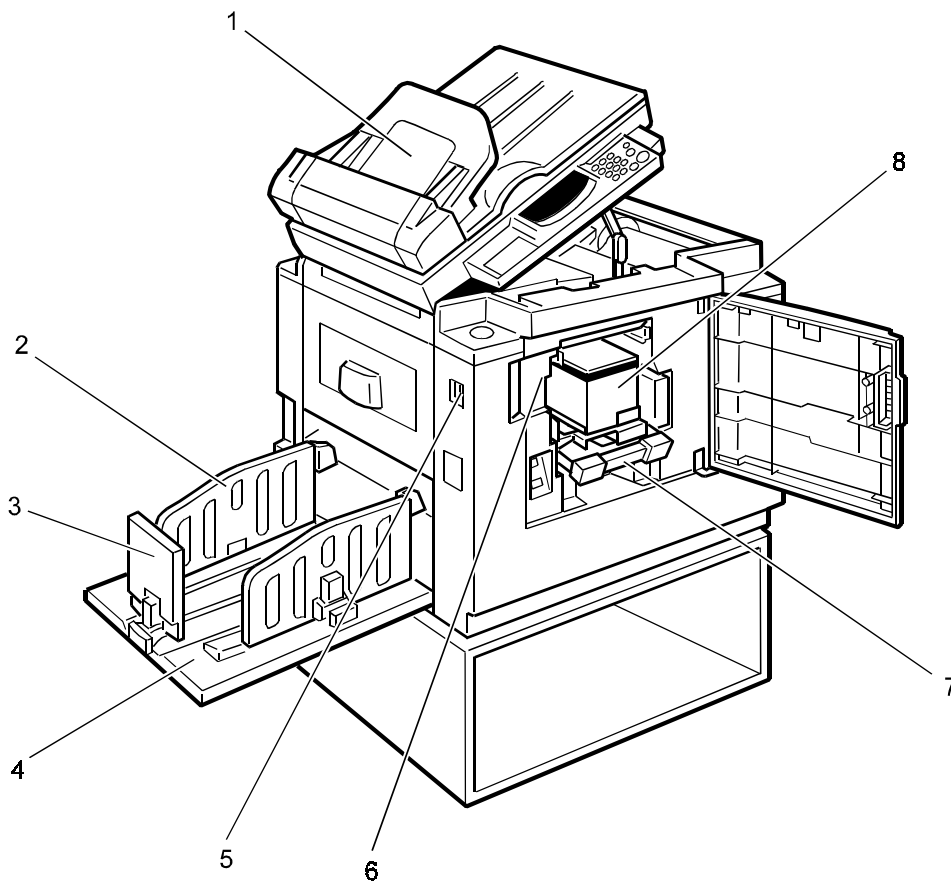
1.2 GUIDE TO COMPONENTS AND THEIR FUNCTION

1.2.1 MACHINE EXTERIOR



- | | |
|--|---|
| 1. Front Door | Open for access to the inside of the machine. |
| 2. Operation Panel | Operator controls and indicators are located here. |
| 3. Platen Cover | Lower this cover over an original before printing. |
| 4. Original Table Release Lever | Use to open the original table unit when installing the master. |
| 5. Feed Roller Pressure Lever | Use to adjust the contact pressure of the paper feed roller according to paper thickness. |
| 6. Paper Feed Side Plates | Use to prevent paper skew. |
| 7. Paper Feed Table | Set paper on this table for printing. |
| 8. Side Table Fine Adjusting Dial | Use to shift the paper feed table sideways. |
| 9. Paper Feed Table Down key | Press to lower the paper feed table. |
| 10. Behind Cover | Flip up when you wish to use the keys underneath. |

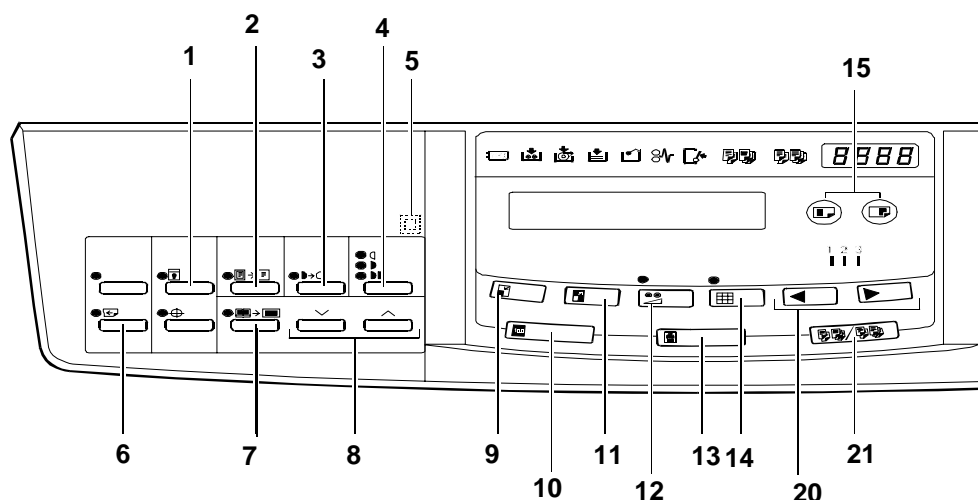
1.2.2 MACHINE INTERIOR



- | | |
|--------------------------------------|--|
| 1. Document Feeder (Option) | Originals inserted into the document feeder are individually and automatically fed onto and removed from the exposure glass. |
| 2. Paper Delivery Side Plates | Use to align the prints on the paper delivery table. |
| 3. Paper Delivery End Plate | Use to align the leading edge of prints. |
| 4. Paper Delivery Table | Completed prints are delivered here. |
| 5. Main Switch | Use to turn the power on or off. |
| 6. Drum Unit | The master is wrapped around this unit. |
| 7. Drum Unit Lock Lever | Lift to unlock and pull out the drum unit. |
| 8. Ink Holder | Set the ink cartridge in this holder. |

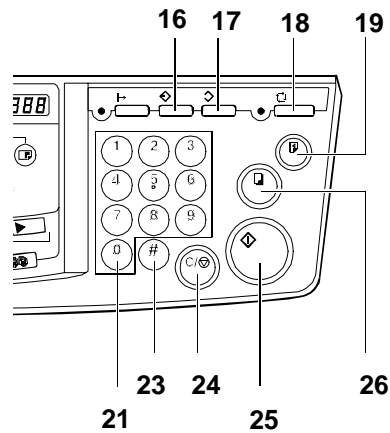
1.2.3 OPERATION PANEL

Keys



1. **Security key**
Press to make prints of confidential documents.
2. **Paste Shadow Erase key**
Press to erase the shadows on images of pasted originals.
3. **Tint key**
Press to make prints in grey.
(This is the Tint/Economy key for the China version.)
4. **Image Density key**
Press to make prints darker or lighter.
5. **Check Indicator**
This indicator lights when you have selected one or more of the functions accessed by lifting the behind cover and pressing the keys underneath (e. g. Security key, Paste Shadow Erase key etc.). This lets you know whether one or more of these functions is selected, even if the cover is lowered.
6. **Skip Feed key**
Press to select skip feed printing.
7. **Center/Edge Erase key**
Press to print book originals that have a solid image on the center or edges.
8. **Scroll keys**
Press to select size and direction of paper or original for Center/Edge Erase.
9. **Reduce key**
Press to reduce the image.
10. **Full Size key**
Press to make full size prints.
11. **Enlarge key**
Press to enlarge the image.
12. **Economy key**
Press to save ink. (This is the Combine 2 Originals key for the China version.)
13. **Type of Original key**
Press to select Letter, Photo, or Letter/Photo mode.
14. **Fine key**
Press to select fine image mode.
15. **Image Position key**
Press to shift the image forwards or backwards.

GUIDE TO COMPONENTS AND THEIR FUNCTION



16. Program key

Press to input or recall user programs.

17. Clear Modes key

Press to clear the previously entered job settings.

18. Auto Cycle key

Use to process the master and make prints automatically.

19. Proof key

Press to make proof prints.

20. Speed keys

Press to adjust the printing speed.

21. Memory/Class key

Press to select Memory or Class mode.

22. Number keys

Press to enter the desired number of prints and data for selected modes.

23. # key

Use to enter data in selected modes.

24. Clear/Stop key

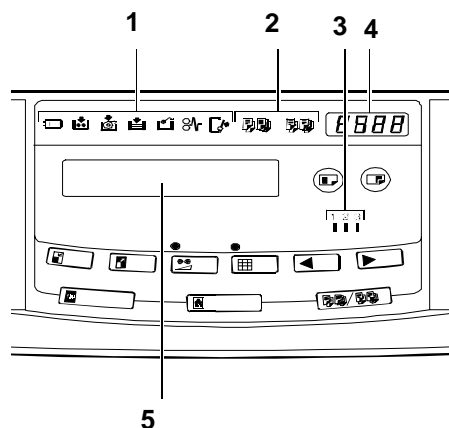
While entering numbers, press to cancel a number you have entered. While copying, press to stop copying.

25. Start key

Press to make a master.

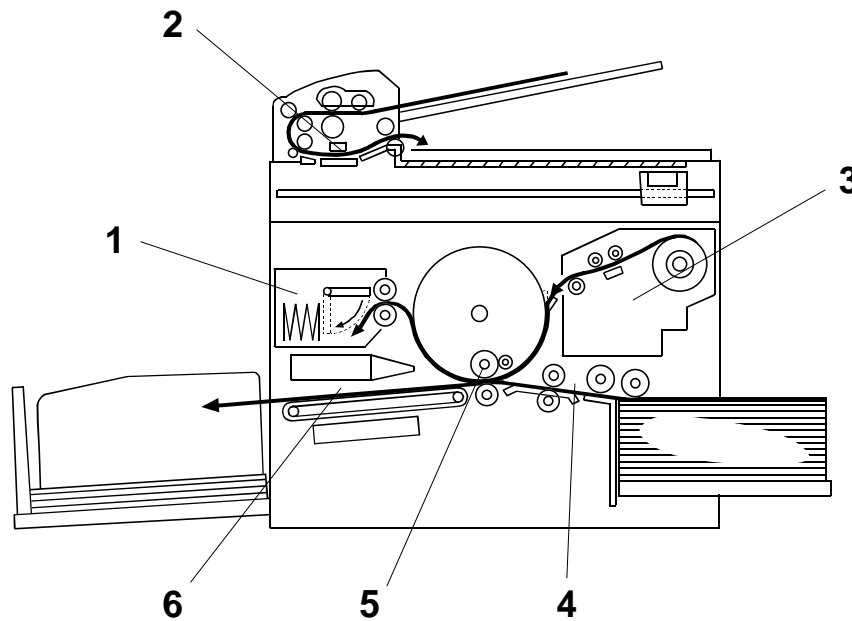
26. Print key

Press to start printing.

Indicators

- | | |
|---|---|
| <p>1. Error indicators
These indicators are lit when a non-standard condition occurs within the machine.</p> <p>2. Memory/Class Indicator
Shows the number entered in Memory or Class mode.</p> <p>3. Speed indicator
These indicators show the printing speed that is selected.</p> | <p>4. Counter
Displays the number of prints entered. While printing, it shows the number of prints remaining.</p> <p>5. Guidance Display
Display the machine's condition.</p> |
|---|---|

1.3 PRINTING PROCESS



1. Master Eject:

Ejects the used master wrapped around the drum into the master eject box.



2. Scanning:

The scanner, which is composed of the contact image sensor (CIS) and xenon lamp, scans the original image.



3. Master Feeding:

Converts the image signal read by the CIS into digital signals and sends them to the thermal head to develop the image on the master. The master is then wrapped around the drum.



4. Paper Feeding:

Sends paper to the drum section.



5. Printing:

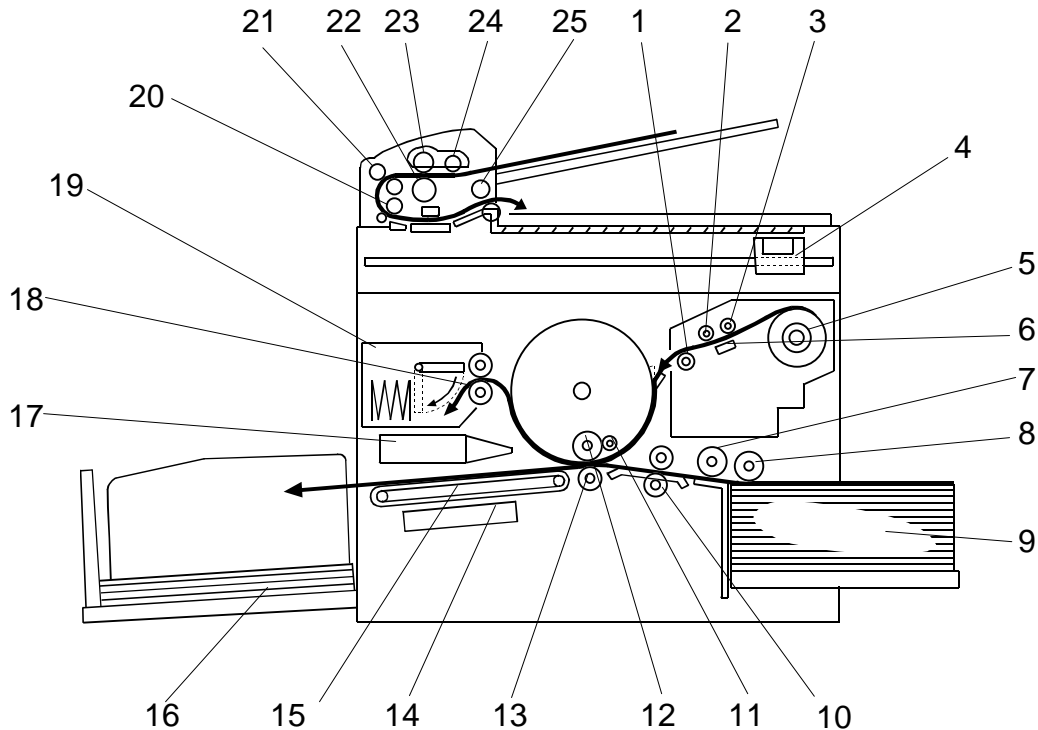
Presses the paper fed from the paper feed section to the drum. This transfers the ink onto the paper through the drum screen and the master.



6. Paper Delivering:

Peels the printed paper with the exit pawl and air knife, and ejects the paper onto the paper delivery table.

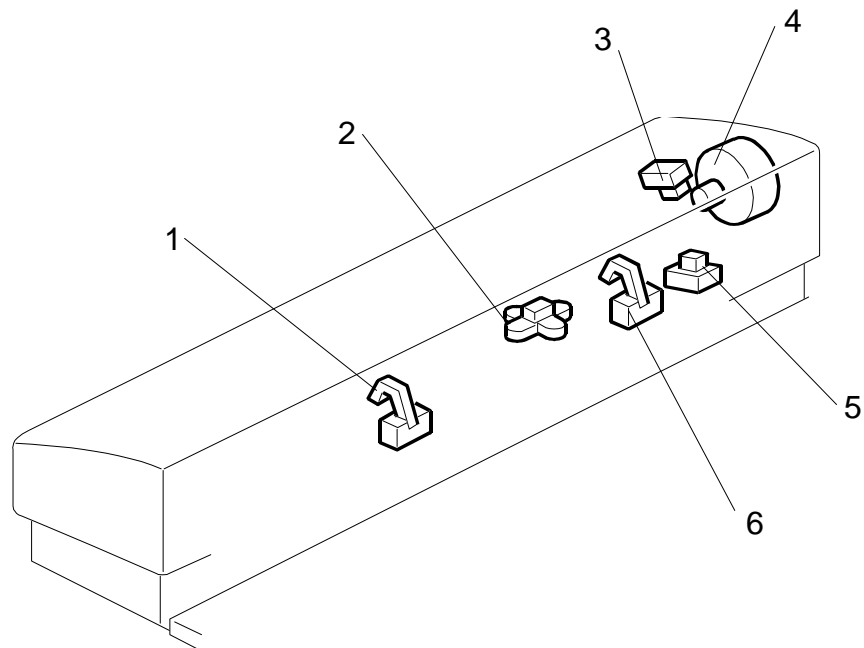
1.4 MECHANICAL COMPONENT LAYOUT



- | | |
|-------------------------|-----------------------------|
| 1. Tension Roller | 14. Vacuum Fan Motor |
| 2. Master Feed Roller | 15. Transport Belts |
| 3. Platen Roller | 16. Paper Delivery Table |
| 4. Scanner | 17. Air Knife Fan Motor |
| 5. Master Roll | 18. Master Eject Roller |
| 6. Thermal Head | 19. Master Eject Box |
| 7. Paper Feed Roller | 20. DF R1 Roller |
| 8. Paper Pick-up Roller | 21. DF R0 Roller |
| 9. Paper Table | 22. DF Separation Roller |
| 10. Registration Roller | 23. DF Document Feed Roller |
| 11. Doctor Roller | 24. DF Pick-up Roller |
| 12. Ink Roller | 25. DF R2 Roller |
| 13. Press Roller | |

1.5 ELECTRICAL COMPONENT LAYOUT

1.5.1 ADF



Motors

Index No.	Name	Function
4	ADF Motor	Drives the original.

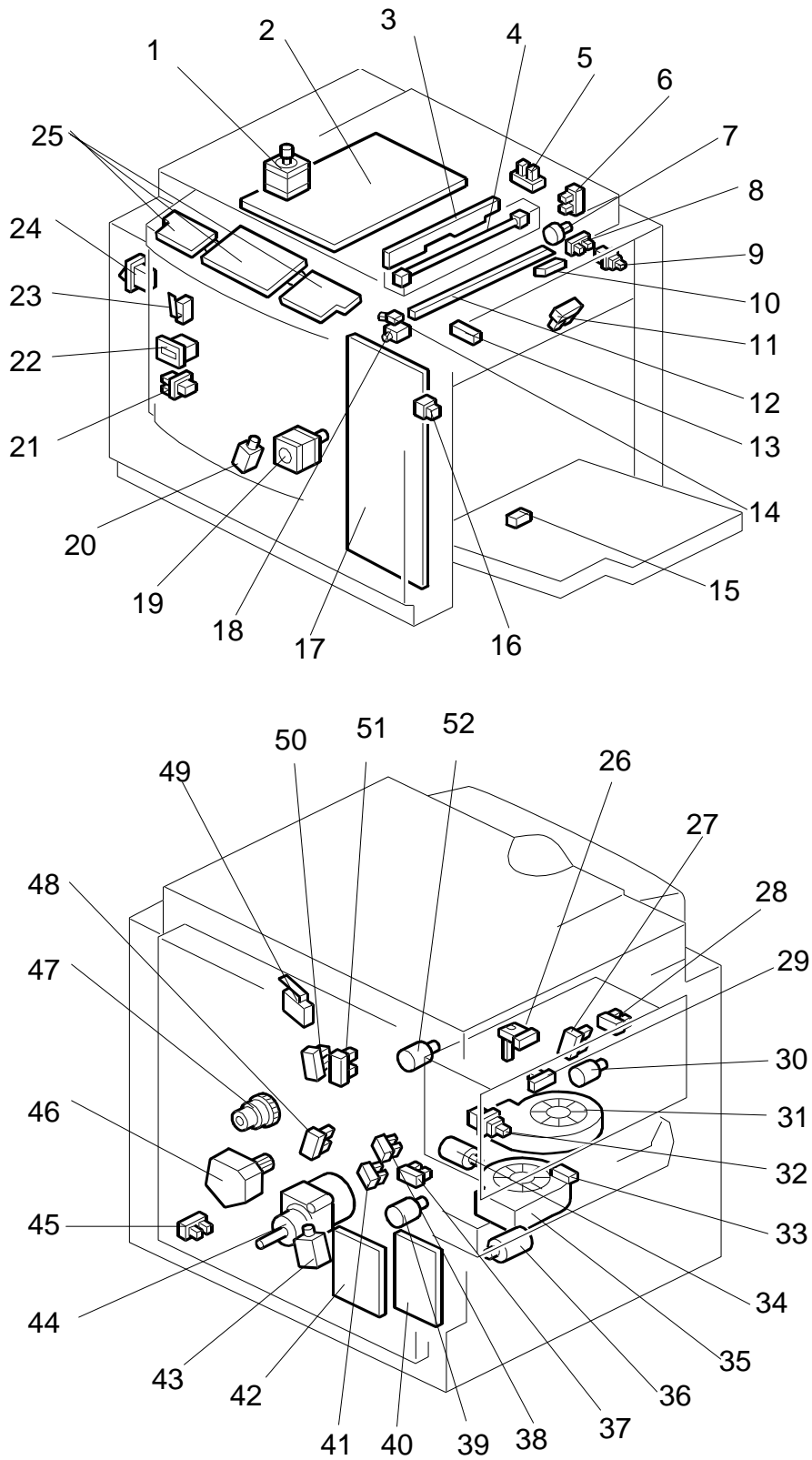
Switches

Index No.	Name	Function
3	ADF Cover Switch	Detects whether the ADF cover is open or closed.
5	ADF Switch	Detects whether the ADF unit is open or closed.

Sensors

Index No.	Name	Function
2	Scan Line Sensor	Detects when a page is approaching the auto shading position.
1	Document Sensor	Detects the presence of a document in the feeder.
6	Not Used	

1.5.2 MAIN BODY



ELECTRICAL COMPONENT LAYOUT

Boards

Index No.	Name	Function
2	Main Processing Unit (MPU)	Controls all machine functions both directly and through other boards.
3	Lamp Stabilizer	This supplies power to the xenon lamp.
17	Power Supply Unit	Provides dc power to the system.
25	Operation Panel Boards	These boards control the operation panel.
4	Contact Image Sensor and Xenon Lamp	This sensor reads and converts the light reflected from the document into an analog video signal. It uses an RMLA (Roof Mirror Lens Array) sensor unit. The xenon lamp that illuminates the document is contained in this unit.
40	Noise Filter Board	Filters out electrical noise on the ac power input lines.
42	Main Motor Control Board	Controls the main motor speed.

Motors

Index No.	Name	Function
7	Master Feed Motor	Feeds the master to the drum.
18	Cutter Motor	Cuts the master.
19	Registration Motor	Feeds the paper to align it with the master on the drum.
1	Scanner Motor	Stepper motor drives the book scanner.
30	Master Eject Motor	Sends used masters into the master eject box.
31	Air Knife Fan Motor	Rotates the fan to provide air to separate the leading edge of the paper from the drum.
34	Pressure Plate Motor	Raises and lowers the pressure plate.
35	Vacuum Fan Motor	Provides suction so that paper is held firmly on the transport belt.
36	Paper Transport Motor	Transports the printed paper.
39	Clamper Motor	Opens or closes the drum master clamper.
44	Main Motor	Drives paper feed mechanisms and the drum.
46	Paper Table Motor	Raises and lowers the paper table.
52	Ink Pump Motor	Drives the ink pump.

Solenoids

Index No.	Name	Function
43	Rear Pressure Release Solenoid	Releases the press roller to apply printing pressure.
20	Front Pressure Release Solenoid	Releases the press roller to apply printing pressure.

Switches

Index No.	Name	Function
49	Scanner Unit Safety Switch	Checks whether the scanner unit is properly set.
9	Master Making Unit Cover Safety Switch	Checks whether the cover on the master making unit is properly closed.
16	Table Lowering Switch	Lowers the paper table.
21	Test Switch	Releases the cover safety functions. (See the notes below this table.)
23	Door Safety Switch	Checks whether the front door is properly closed.
24	Main Switch	Turns the power on or off.

NOTE: When you use this test switch, be sure to return it to the default position after servicing.

Sensors

Index No.	Name	Function
50	Master Eject Position Sensor	Detects when the drum is at the master eject position.
51	Paper Exit Timing Sensor	Determines the paper exit misfeed check timing.
48	Feed Start Timing Sensor	Determines the paper feed start timing.
26	Master Eject Sensor	Detects used master misfeeds.
28	Pressure Plate Limit Sensor	Detects if the pressure plate is in the lowest position.
27	Pressure Plate Home Position Sensor	Detects if the pressure plate is at the home position.
29	Drum Master Sensor	Detects if there is a master on the drum.
32	Eject Box Set Sensor	Checks if the master eject box is set.
33	Paper Exit Sensor	Detects paper misfeeds at the exit.
37	2nd Feed Timing Sensor	Determines the paper misfeed check timing at the paper registration area.
38	Clamper Open Sensor	Detects if the clamper is in the open position.
41	Clamper Close Sensor	Detects if the clamper is in the closed position.
45	Table Lower Limit Sensor	Detects when the paper table is at its lower limit position.

ELECTRICAL COMPONENT LAYOUT

Index No.	Name	Function
5	Platen Cover Sensor	Detects whether the platen cover is open or closed.
6	Scanner Home Position Sensor	Detects when the image sensor is at home position.
8	Master Set Cover Sensor	Checks if the master set cover is set.
10	Master End Sensor	Informs the CPU when the master making unit runs out of master roll.
11	Paper Height Sensor	Detects when the paper table reaches the paper feed position.
13	Paper Registration Sensor	Detects paper approaching the registration roller.
15	Paper End Sensor	Informs the CPU when the paper table runs out of paper.
14	Cutter Home Position Sensor (Switch)	Detects when the cutter is at the home position.

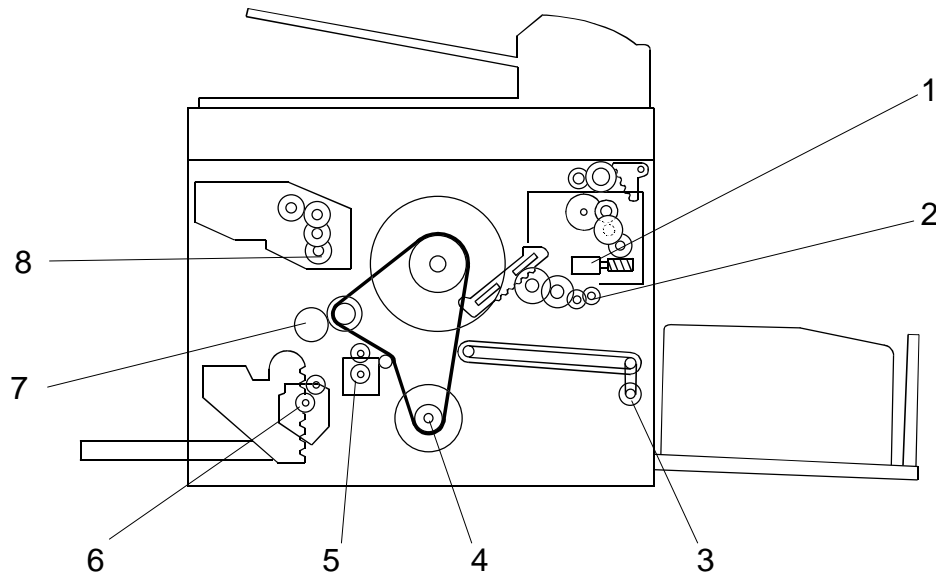
Counters

Index No.	Name	Function
22	Paper and Master Counters	Keep track of the total number of copies and masters made.

Others

Index No.	Name	Function
47	Paper Feed Clutch	Transmits main motor drive to the paper feed roller at the appropriate time.
12	Thermal Head	Burns the image onto the master.

1.6 DRIVE LAYOUT



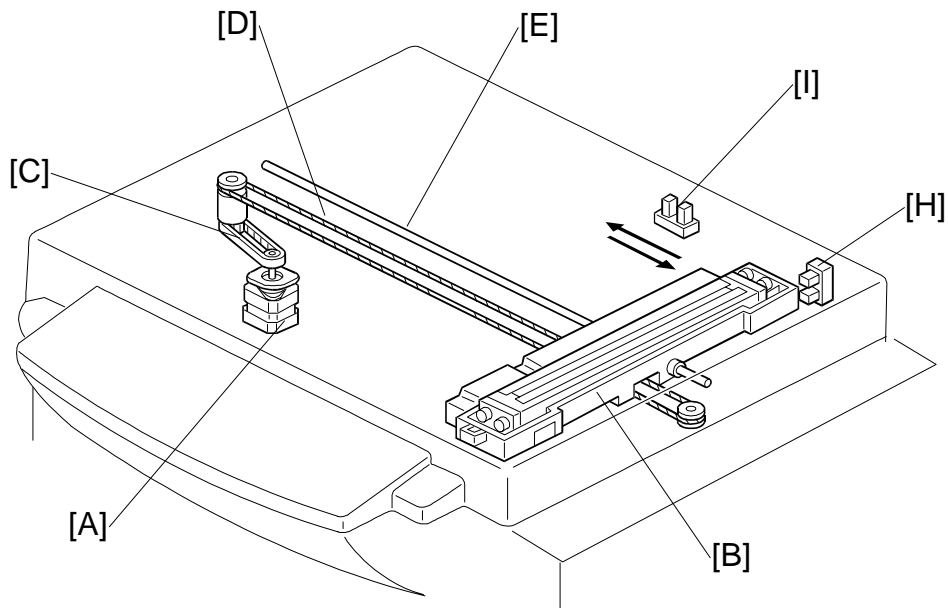
- | | |
|--------------------------|-----------------------|
| 1. Pressure Plate Motor | 5. Registration Motor |
| 2. Clamper Motor | 6. Paper Table Motor |
| 3. Paper Transport Motor | 7. Paper Feed Clutch |
| 4. Main Motor | 8. Master Feed Motor |

DETAILED SECTION DESCRIPTIONS

2. DETAILED SECTION DESCRIPTIONS

2.1 SCANNER AND OPTICS

2.1.1 BOOK SCANNER OVERVIEW



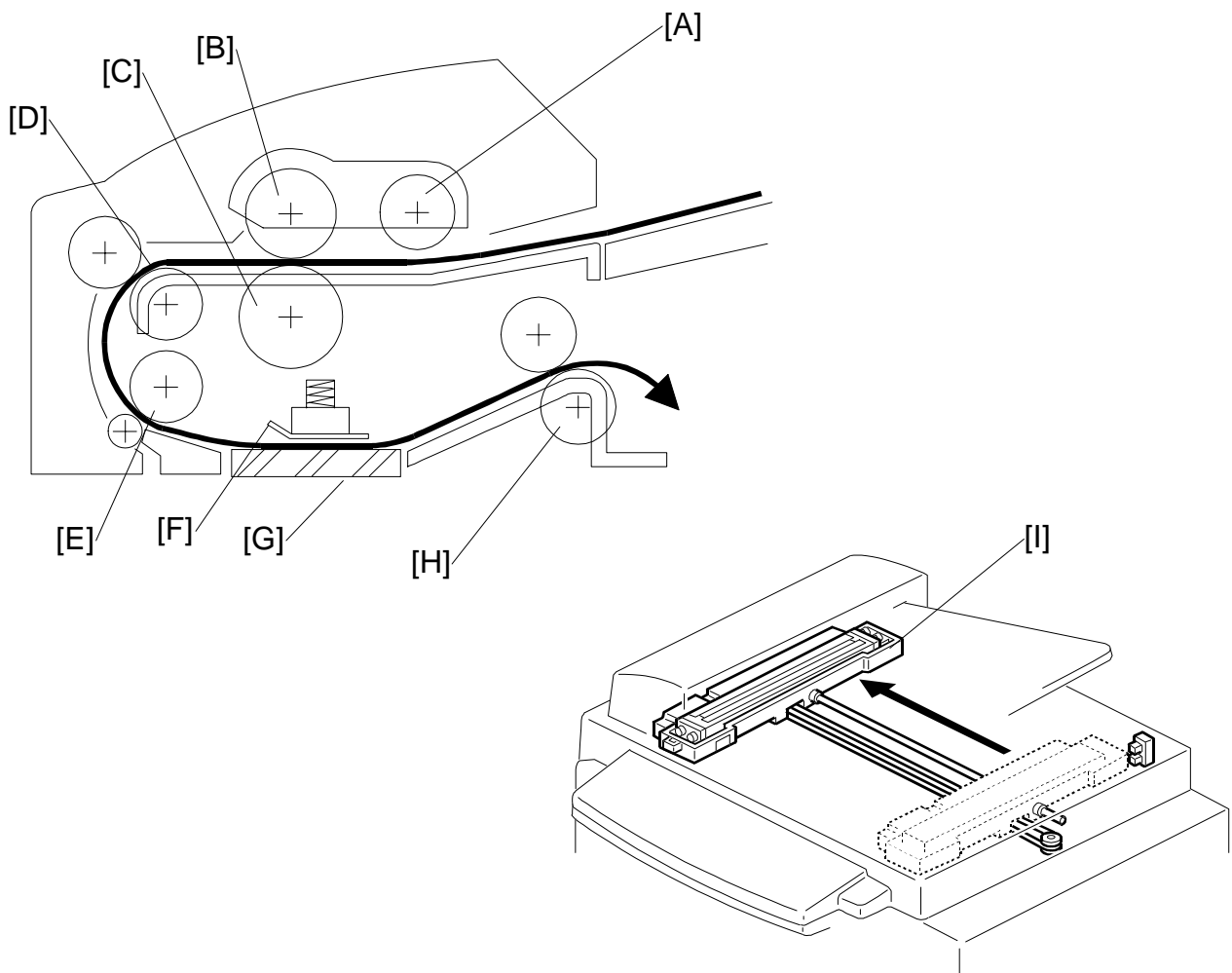
The scanner motor [A] drives the scanner [B] through the timing belt [C] and drive wire [D]. The shaft [E] guides the scanner movement in the sub-scan direction.

The scanner [B] consists of a contact image sensor and a xenon lamp driver.

The scanner home position sensor [H] detects when the scanner returns to the home position after scanning.

The platen cover switch [I] detects the cover status.

2.1.2 ADF OVERVIEW

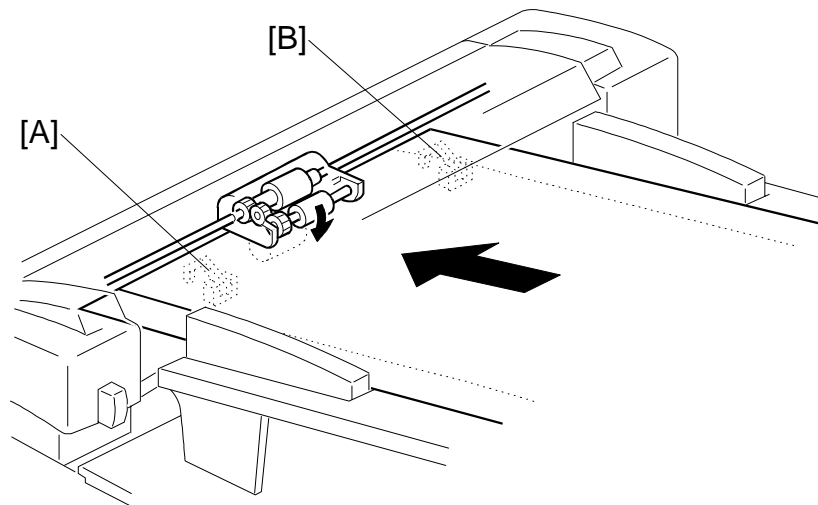


The sheet through-type ADF feeds the document from the top of the document stack.

The pick-up roller [A] and feed roller [B] feed the original into the scanner, and the separation roller [C] helps to feed one sheet at a time. Then, the R0 [D], R1 [E], and R2 [H] rollers feed the document through the scanner.

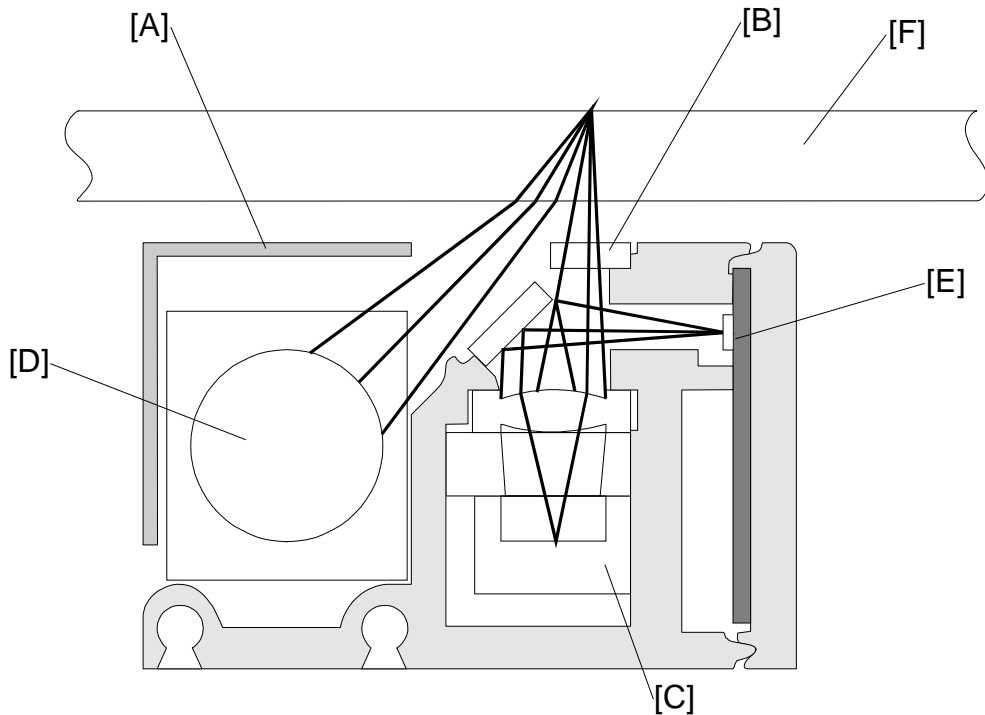
During scanning, the scanner [I] moves to the scanning position under the exposure glass [G]. The shading plate [F] secures the document at the scan line, ensuring that the document is within the image sensor's range of focus.

After scanning, the ADF feeds the document onto the platen cover, and the scanner moves back to its home position.



The document sensor [A] detects when an original is placed in the ADF. The sensor [B] is not used in this unit. The ADF is a common part which is used in other models.

2.1.3 CONTACT IMAGE SENSOR



The contact image sensor (CIS) assembly [A] consists of the exposure glass [B], roof mirror lens array [C], xenon lamp [D], and the image sensor [E]. The CIS moves under the exposure glass when scanning a book original, and remains stationary at the ADF scan line when scanning a sheet original using the ADF.

The image sensor is a row of 4096 photosensitive elements (B4 width x 16 dots/mm). The roof mirror lens array focuses the light reflected from the document onto the image sensor.

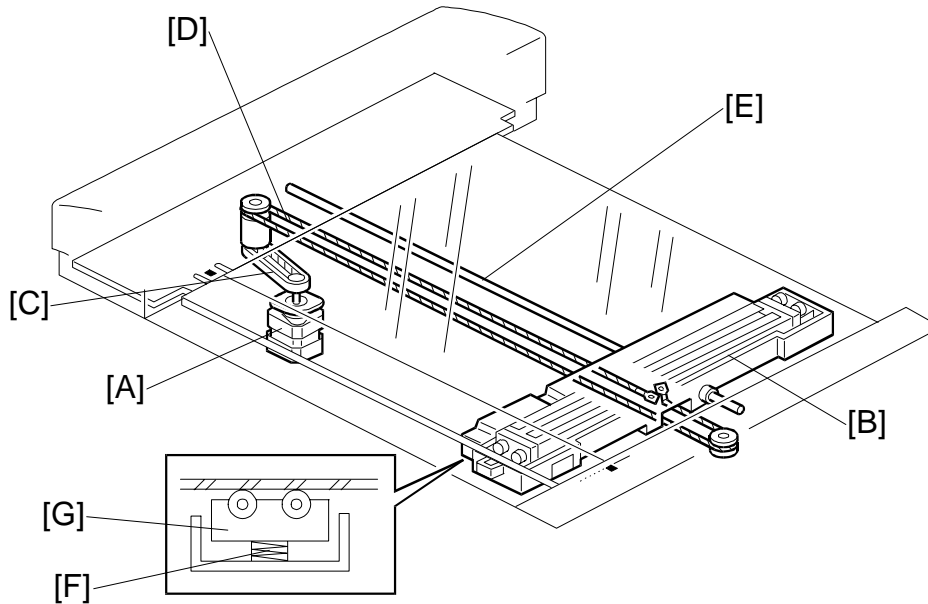
Due to the short optical path of a CIS unit, the focal depth is much shorter than in a CCD type scanner. Because of this, two springs are used to push the CIS against the exposure glass [F], to keep the distance between the CIS and the original constant. In book scanning mode, if the original is out of the CIS focal range, however, the scanned image may be darkened.

NOTE: Due to the characteristics of the CIS, shadows of a paste-up original tend to appear on copies. To counter this, press the paste shadow erase key on the operation panel to use the paste shadow erase mode.

The strength of the paste shadow erase level can be changed with SP no. 28.

2.1.4 DRIVE MECHANISM

Book Scanner

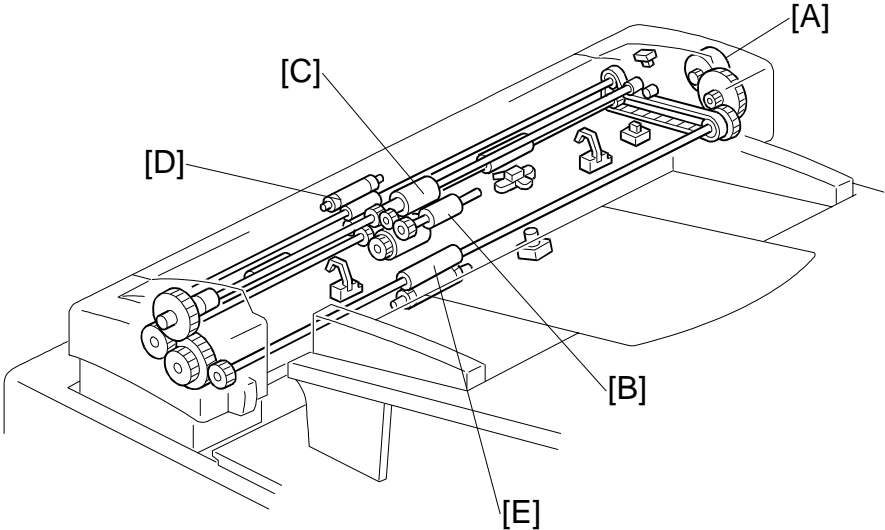


The book scanner motor [A] drives the scanner [B] via a timing belt [C] and drive wire [D]. The scanner moves along the guide shaft [E].

The springs [F] apply pressure to the contact image sensor [G] to ensure that the distance from the image sensor to the exposure glass surface remains constant during scanning.

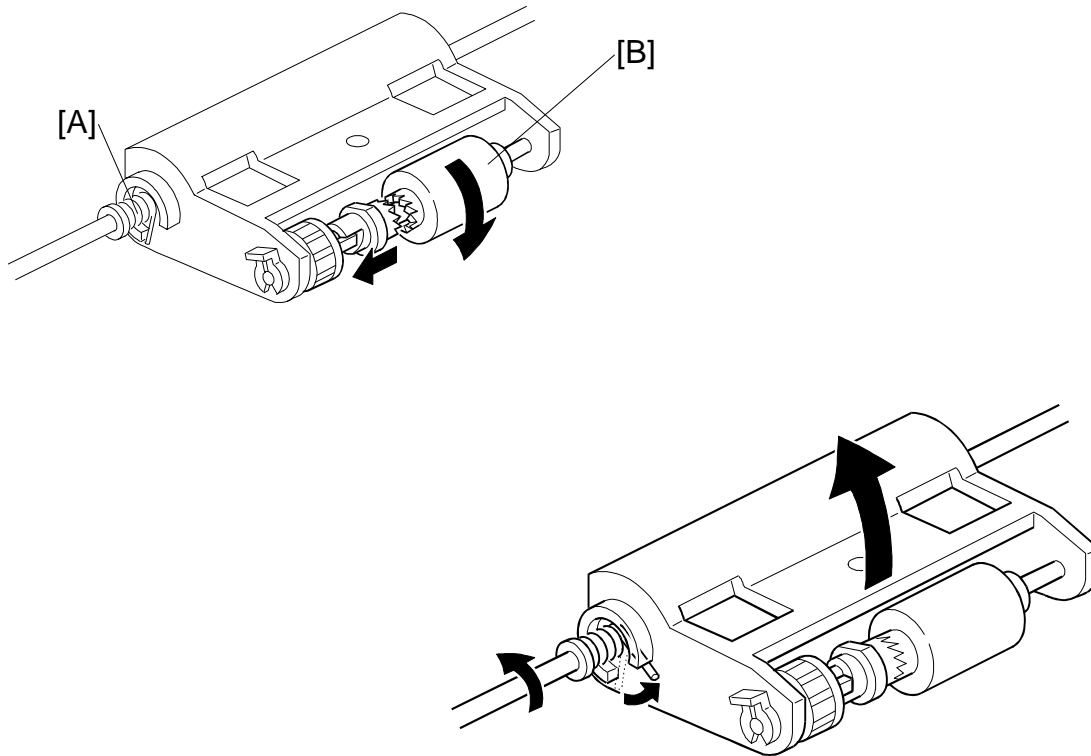
SCANNER AND OPTICS

ADF



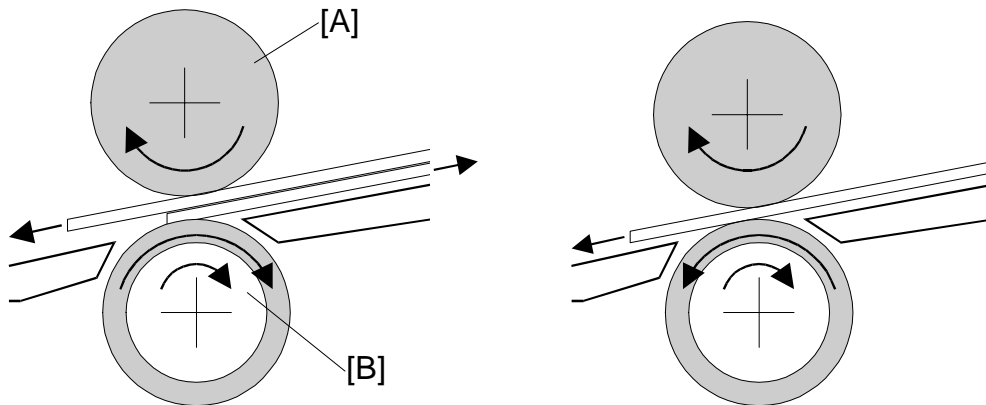
The ADF motor [A] drives the pick-up roller [B], the feed roller [C], the R0 roller [D], the R1 roller (not shown), and the R2 roller [E].

2.1.5 PICK-UP AND FEED (ADF)



When the ADF motor starts, the mechanical clutch [A] engages and lowers the pick-up roller [B] into contact with the document. Then the machine begins feeding the original stack, beginning with the top page. After the last page is scanned, the ADF motor reverses briefly to raise the pick-up roller back to the standby position.

2.1.6 SEPARATION MECHANISM (ADF)



The feed roller [A] and the separation roller [B] prevent more than one sheet of paper from feeding into the scanner at the same time.

When the feed roller feeds a sheet of paper, both the feed and the separation rollers rotate in the feed-in direction. However, if two or more sheets are between these rollers, the separation roller rotates in the feed-out direction to prevent the lower sheet from being fed into the scanner.

2.1.7 ERROR CONDITIONS

Book Scanner

The main CPU detects an error (error code E-13 is displayed) if either of the following conditions occurs.

Condition	Description	Error Code
Home position sensor error condition	The scanner home position sensor does not turn on within 7 seconds after the motor engages.	E-13
	The scanner home position sensor does not turn off within 4 seconds after power on. Otherwise, when the scanner could not return to the home position within 2 seconds of leaving.	

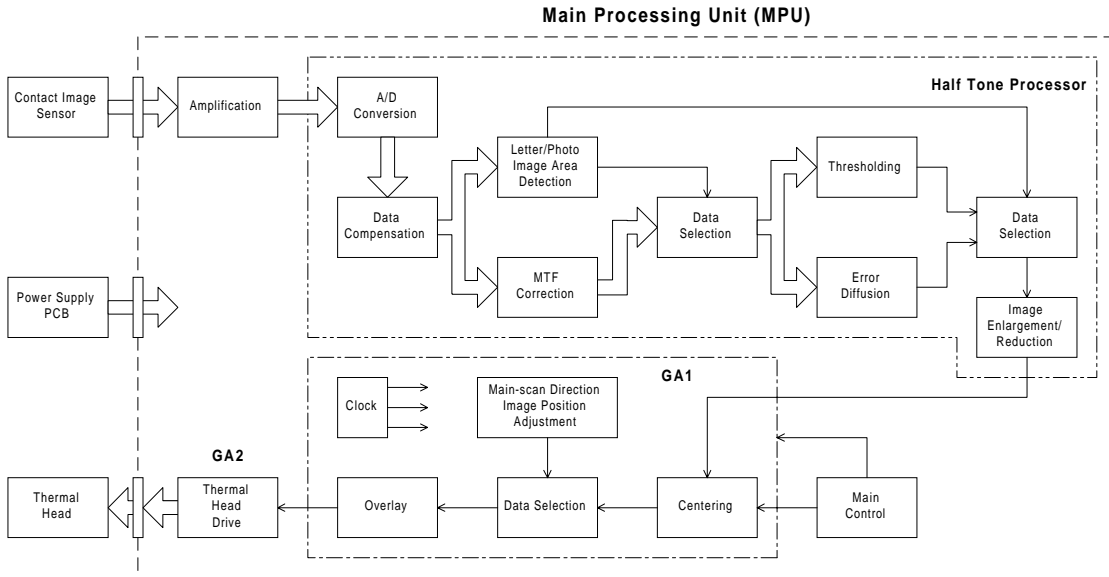
ADF

"Paper feed jam" is displayed if any of the following conditions occurs.

Jam Condition	Description
Non-feed	The scan line sensor does not switch on within 5 seconds after the ADF motor starts.
Misfeed 1	The scan line sensor does not turn off even when the paper (a trial print) reaches the registration area.
Misfeed 2	The ADF motor reverses after the last document feeds out of the scanner or after a jam is cleared. At this time, the misfeed 2 error condition occurs if the document sensor stays on.

2.2 IMAGE-PROCESSING

2.2.1 OVERVIEW



This model uses a contact image sensor (CIS) instead of a CCD. It removes the necessity for the complicated adjustments that are needed for a CCD scanner.

There are three main chips on the main processing unit (MPU) as shown. The halftone processor chip enables the use of Letter/Photo mode in addition to Letter and Photo modes. In Letter/Photo and Photo modes, error diffusion processing produces better copy quality halftone images.

The halftone processor also includes the A/D conversion function, as well as the image processing functions. The thermal head drive function is built into a chip (GA2) on the MPU.

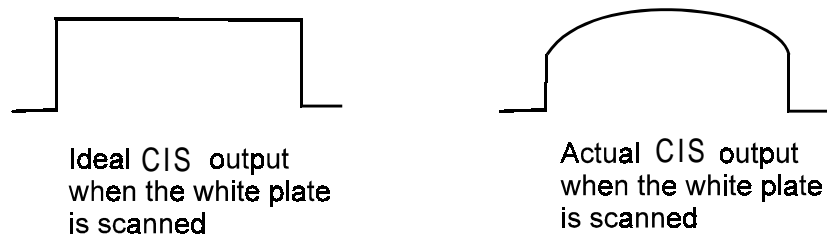
2.2.2 A/D CONVERSION PROCESSING

The analog signal from the contact image sensor is converted into a digital signal that represents 64 grayscale steps. This process is carried out in the halftone processing chip in the MPU.

Shading Distortion Correction

The image data from one main scan line does not exactly represent the line from the original image, because of the following reasons:

- 1) Loss of brightness towards the ends of the exposure lamp.
- 2) Variations in sensitivity among elements of the contact image sensor
- 3) Distortions of the light path



Such distortions in the image data are corrected when they are converted into digital data.

Before scanning the document, the scanner reads the white plate on the back of the original scale. The output of each contact image sensor element is changed to a 6-bit digital value and is stored in the shading distortion memory.

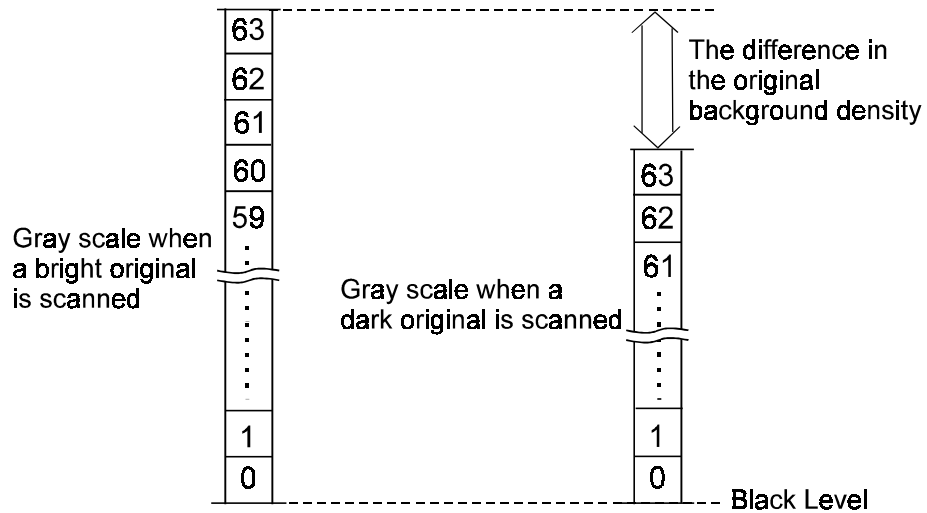
To change the analog shading distortion signals to digital data, a scale of 64 steps is made between the whitest level when the white plate is scanned and 50% of the whitest level. Using this scale, the analog signal is changed to 6-bit digital data.

While an original is scanned, the 6-bit shading distortion value for each pixel is sent, in series, from memory to the D/A converter, synchronizing with the image signal being sent to the A/D converter. The D/A converter changes the distortion value to an electrical current. The current is converted to the voltage to be used as high reference data for A/D conversion. In this way, the high reference voltage for A/D conversion is changed sequentially for each pixel depending on the shading distortion data for that pixel.

Original Background Correction

When an original is scanned, the whitest level of the original background is stored, and that level is used as the white peak level for A/D conversion. The grayscale is made based on the white peak level of the original. As a result, dark background does not appear on the printout.

If the original background correction is disabled, the whitest level when the white plate is scanned is used for the high reference voltage.



Peak Hold

The peak hold circuit holds the voltage for the white peak level. Before scanning an original, it holds the white peak voltage from the white plate to make shading distortion data. When the original is scanned, it stores the white peak level of the original for the original background correction.

NOTE: The white peak level is checked 5 mm from the leading edge of the original set on the exposure glass (and from the central 147-mm width). If the original leading edge is not flush with the original scale and the platen cover stays open, insufficient voltage will be input as the white peak level. If insufficient voltage is detected, a fixed voltage is used as the white peak level to avoid a faint image copy.

2.2.3 BINARY PROCESSING

In the halftone-processing chip, the 6-bit digital signal data is generated in the A/D conversion circuit and is sent to the binary processing circuit. At that time the data is inverted to match the binary processing circuit. Therefore, the white peak level becomes 0, and the black level becomes 63.

In the binary processing circuit, the 6-bit data is converted into 1-bit data for black or white pixels. The binary processing for the letter and photo is different, as follows:

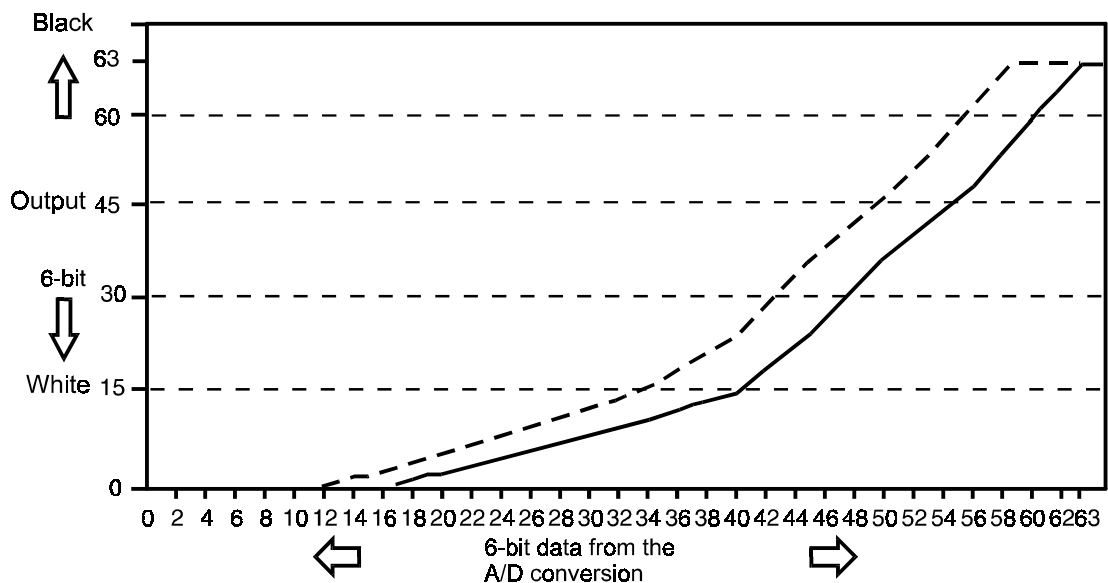
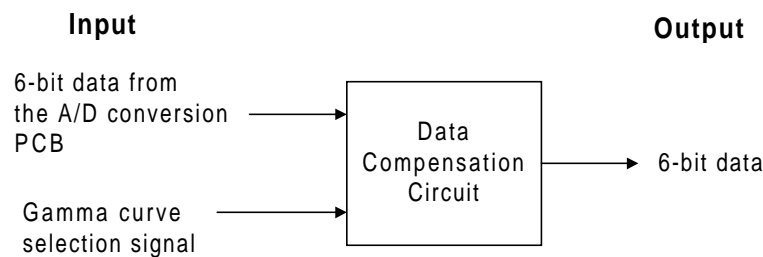
Letter Mode, Letter areas in Letter/Photo Mode: MTF (Modulation Transfer Function) Correction

Photo Mode, Photo areas in Letter/Photo Mode: Error Diffusion Processing

Detailed Section Descriptions

Data Compensation Processing

In this process, the 6-bit data are converted based on a compensation curve (gamma curve) which corresponds to selected image settings. For example, if a darker image is selected, a compensation curve, which converts each pixel value to a higher number, is selected. The output data is still 6-bit.



MTF Correction

When the original image is converted to electrical signals by the contact image sensor, the contrast is reduced. This is because neighboring black and white parts of the image influence each other. This symptom is typical when the width and spacing between black and white areas are narrow. MTF correction counters this symptom and emphasizes image detail. The value of a target pixel is modified depending on the value of surrounding pixels. The modified data is compared with a threshold level. This determines if the pixel is to be black or white.

After the MTF correction is done, the corrected data is compared with the black or white threshold level. If a pixel value is above the threshold level, it is set to black. If the pixel value is equal or below the threshold level, it is set to white. The threshold level depends on the selected density setting.

Image Density Setting	Threshold Level for Line Mode	Threshold Level for Line Areas in Line/Photo Mode
Lighter	28	35
Normal	35	40
Darker 1	38	42
Darker 2	42	44

Binary Processing in Letter/Photo Mode

In the Letter/Photo mode, the machine checks each pixel of the original to see if the pixel is in a letter area or in a photo area. To distinguish letter and photo areas, the CPU does the calculation on the 6-bit pixel data.

If the CPU recognizes that the pixel is in a letter area of the image, it uses the MTF process to convert the 6-bit value to 1-bit.

If the CPU recognizes that the pixel is in a photo area of the image, the pixel is converted to 1-bit using error diffusion.

To emphasize characters in a photo original when using Letter/Photo mode, a data compensation curve (γ curve) is used to make a darker image.

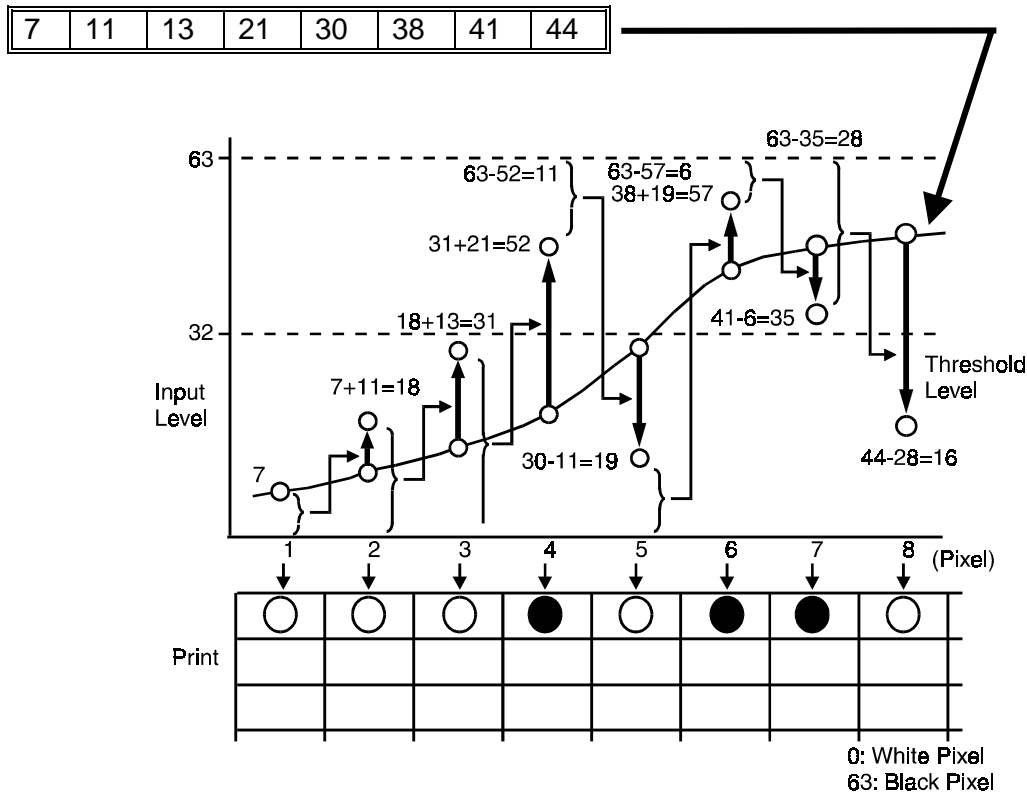
Error Diffusion

Error diffusion is used to reproduce halftone images in photo mode.

Before a 6-bit image signal is converted into a single-bit signal based on the threshold level, there is a difference between the image signal value and the complete black value (63 for a 6-bit signal) or white value (0). With the error diffusion process, the difference is distributed among the surrounding pixels. (The MTF process simply erases these differences.)

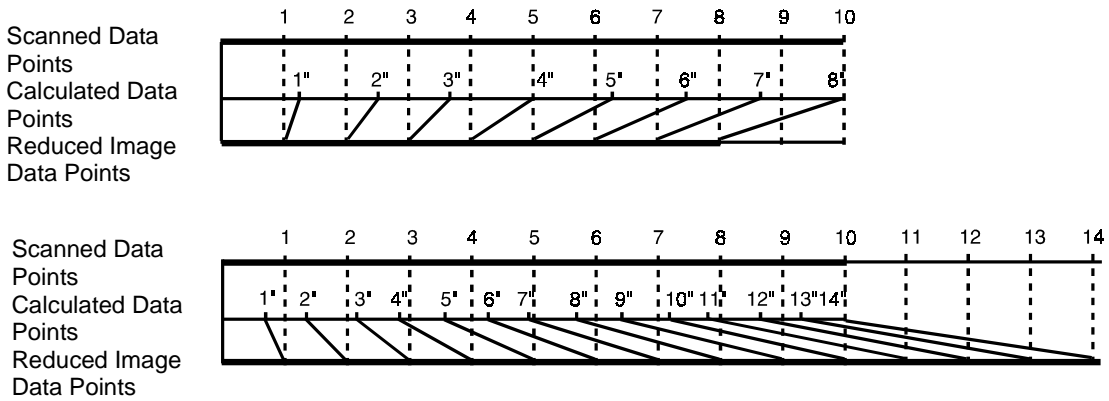
When considering error diffusion in one dimension only (across the page), the 6-bit data shown in the example below produces white and black data output as shown below. In practice, this one-dimensional error diffusion is done in all directions on each pixel (across the page, down the page, etc.).

Image data from one scan line



In each dimension, the difference between the pixel value and the nearest extreme (0 or 63) is transferred to the next pixel. The 1st pixel in the row becomes either black or white, whichever is closest. Then, in the example above, the difference between 7 and 0 is added to the 2nd pixel. The value of the 2nd pixel, which is now 18, is then added to the 3rd pixel. The 4th pixel becomes 52, which is closer to 63 than 0. In such cases, the difference is subtracted (not added) to get the next pixel value. In this example, the difference is $63 - 52 = 11$, and the next pixel value ($30 - 11$) becomes 19.

2.2.4 MAIN SCAN MAGNIFICATION



Changing the original transport speed performs the reduction and enlargement in the sub-scanning direction. Reduction and enlargement in the main scanning direction is handled by the magnification and image shift processing circuits.

Pixels for scanning and master making are generated at fixed intervals (the contact image sensor and thermal head element intervals). The image is scanned at the contact image sensor element interval. If pixels on the master are made at the same interval (by the thermal head elements) then the master image is the same size as the original.

When actual pixels are divided in accordance with a magnification ratio, the magnification processor calculates the imaginary point values that would correspond to new pixels. The proper value for each imaginary point is calculated based on the image data of the surrounding pixel values.

- 80 % Reduction -

For example, the contact image sensor scans data for 10 pixels in a main scan line. Those data are compressed into data for 8 pixels by the magnification processor. As a result, the image is reduced to 80 %.

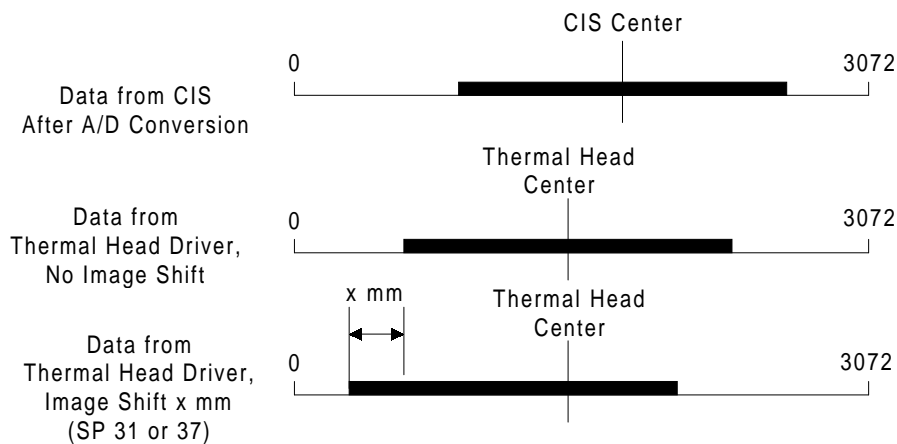
- 140 % Enlargement -

Data for 10 pixels of a main scan line are expanded into data for 14 pixels. As a result the image is enlarged with a 140 % magnification ratio.

2.2.5 IMAGE POSITION ADJUSTMENT IN THE MAIN SCAN DIRECTION

To adjust the image position of the original across the printout, the image can be shifted ± 1.9 mm in the main scan direction using SP mode No. 31 (platen mode) or No. 37 (ADF mode).

The image shift in the main scan direction is done by changing the relationship between the position of the image data on the CIS and on the thermal head. Data for one main scan line is stored in a line memory. When the data is output from memory, the output timing is changed to shift the image.



2.2.6 PASTE SHADOW ERASE MODE

Due to the characteristics of the contact image sensor, shadows of a paste-up original tend to appear on copies. To counter this, the paste shadow erase mode can be used by pressing the paste shadow erase key on the operation panel.

When this mode is selected, the black or white threshold level is slightly lowered. At the same time, the emphasis in the sub-scan direction in the MTF correction process is weakened to make the shadows inconspicuous.

The strength of the paste shadow erase level can be changed with SP No. 28.

2.2.7 THERMAL HEAD

Specifications

- Length 260.2 mm
- Number of thermal head elements 3072 dots
- Density of thermal head elements 300 DPI
- Applied voltage Approximately 21 volts

Thermal Head Control

The thermal head has heating elements at a density of 300 dpi. The thermal heating elements melt the over-coating and polyester film layers of the master, according to the image signal for each pixel.

The power supply unit applies power (VHD) to the thermal heating elements. The power source varies from one head to another since the average resistance of each element varies. Therefore, when the thermal head or power supply unit is replaced, it is necessary to readjust the applied voltage with particular values for each thermal head.

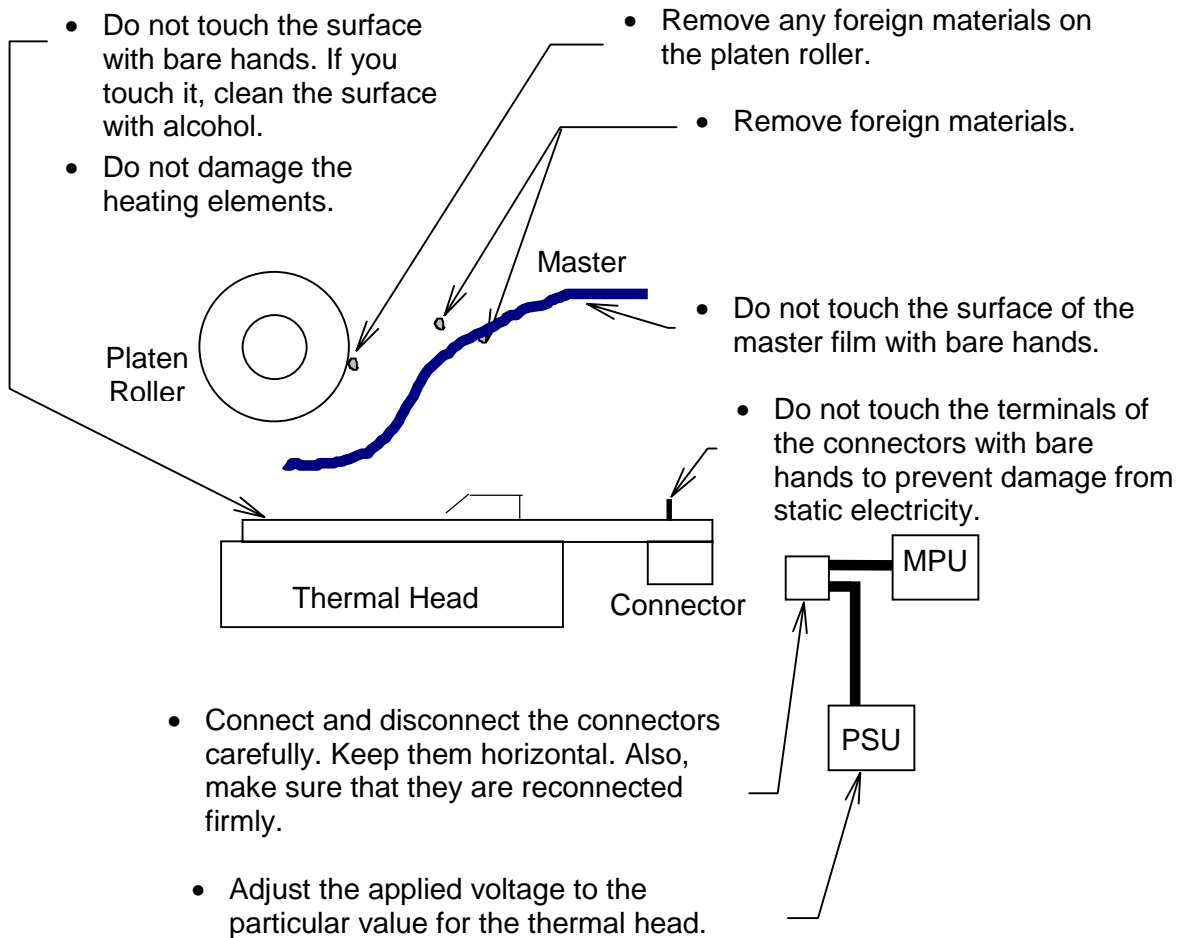
Thermal Head Protection

The thermistor on the thermal head provides thermal head protection, preventing the thermal head from overheating when processing a solid image. The CPU detects any abnormal condition when the Start key is pressed, and displays an SC code on the operation panel as follows:

SC Code	Conditions	Detecting Component
E - 04	Over 54°C	Thermistor
E - 09	Under - 20°C (Normally, this indicates that the thermistor has become open, or a related connector is disconnected.)	Thermistor
E - 10	When the pulse width that controls the thermal head energy becomes abnormal, master making stops and this SC lights.	MPU

Remarks for Handling the Thermal Head

The following remarks must be noted when servicing:

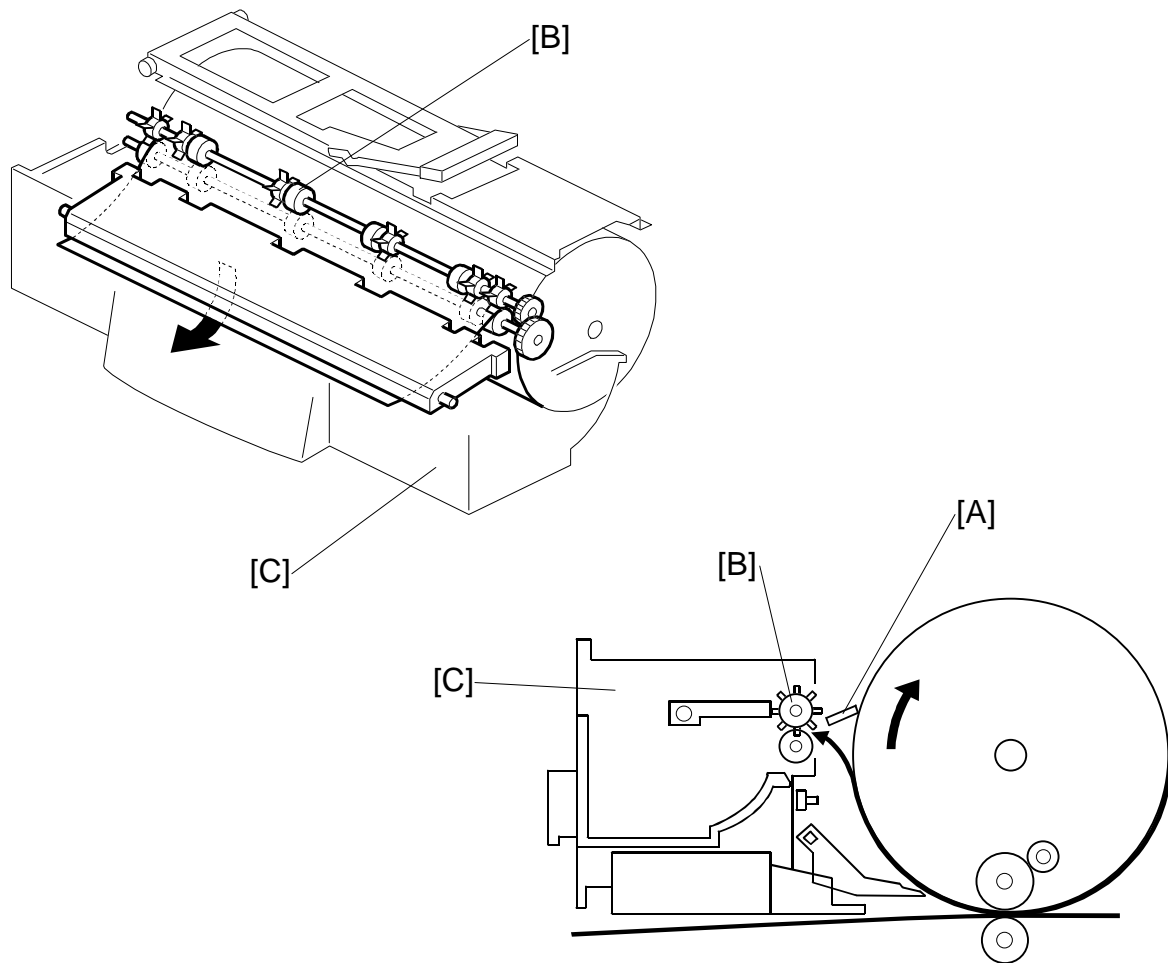


- Other Remarks -

Avoid using the machine under humid conditions. Moisture tends to condense on the thermal head, causing heating element damage.

2.3 MASTER EJECT

2.3.1 OVERALL



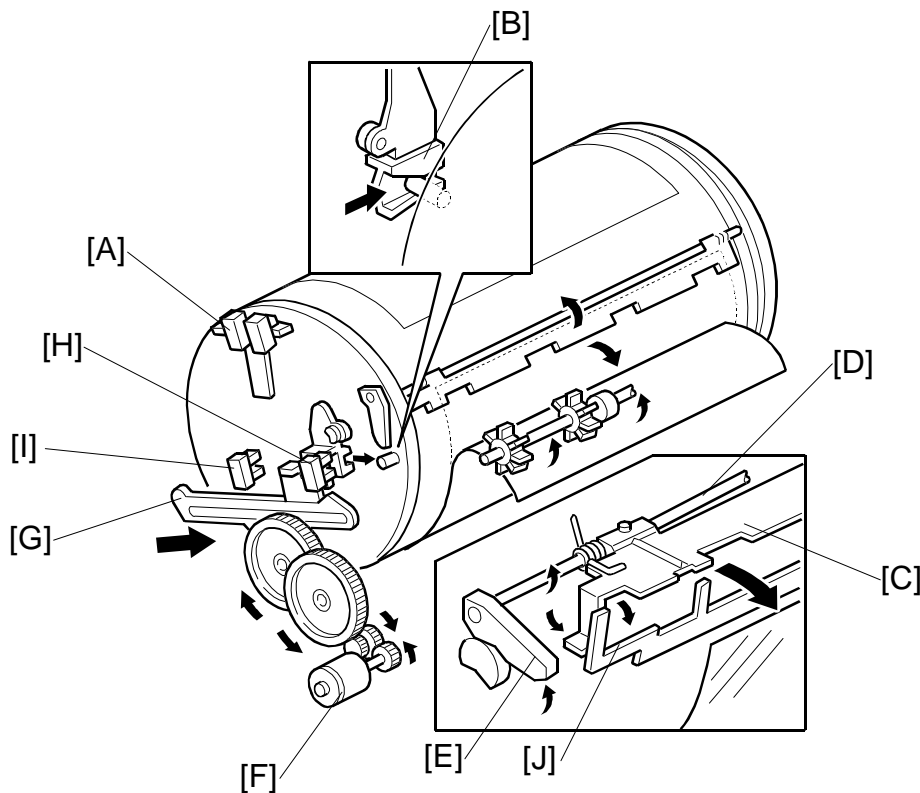
At the end of the printing cycle, the used master remains wrapped around the drum to prevent the ink on the drum surface from drying. When the Master Making key is pressed to make a new master, the used master is removed from the drum.

The machine ensures that the drum is at the master eject position and a master is on the drum by checking the drum master sensor. The master clasper [A] then opens to eject the master. If there is no master on the drum, the machine skips the master eject operation and proceeds to the master making process.

The master eject rollers [B] turn for 0.6 seconds and pick up the master's leading edge. After closing the master clasper, the drum starts rotating at the slowest speed (30 rpm). At the same time the master eject rollers turn to feed the used master into the master eject box [C].

When the drum stops at the master feed position after one and a half turns, the pressure plate drive motor starts turning to compress the used master into the master eject box.

2.3.2 MASTER CLAMPER OPEN MECHANISM



The master eject position sensor [A] ensures that the drum is positioned at the master eject position when the Start key is pressed.

The master clamper has a magnetic plate [C] to secure the master's leading edge in the clamper. The clamper is fixed to the clamper shaft [D], which has a lever [E] at the rear side.

The clamper motor [F] drives the moving link [G] and pushes the clamper lever open [E]. (The link position, the clamper open and close positions, are detected by the clamper open sensor [H] and clamper close sensor [I].)

The master clamper then lifts the master eject arm [J] to release the master's leading edge from the clamper.

Drum Position Lock Mechanism

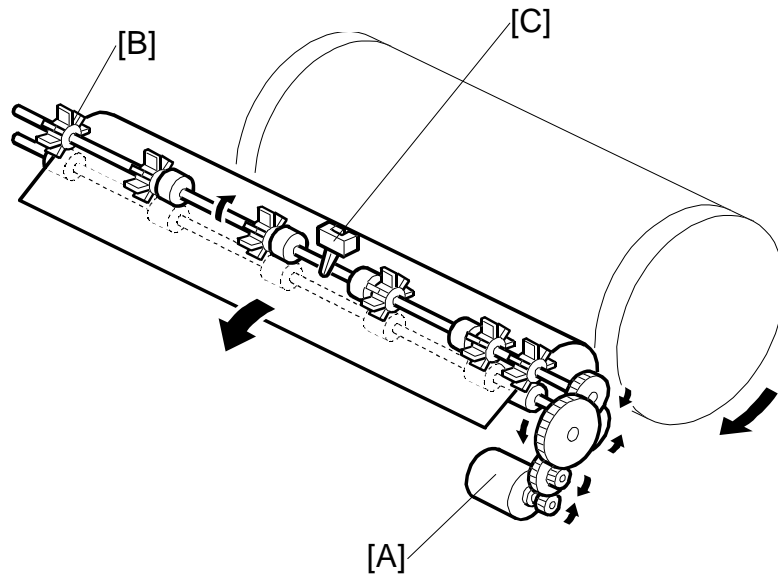
When the clamper motor [F] opens the clamper at the master eject position, the drum guide [B] moves and engages the pin on the rear flange of the drum.

The drum guide is moved by the same mechanism that drives the moving link [G]. This means that the drum guide captures the drum at the master eject position when the master clamper is being opened.

When the clamper motor turns on again to close the master clamper, the drum guide also disengages the pin and the drum can now turn.

MASTER EJECT

2.3.3 MASTER EJECT ROLLER MECHANISM



The master eject rollers are driven by the master eject motor [A] through idle gears. The upper eject roller [B] has paddles to assure the master pick-up.

When the master clamber is opened and the master's leading edge is released from the master clamber, the master eject motor turns on for 0.6 seconds to pick up the leading edge of the master.

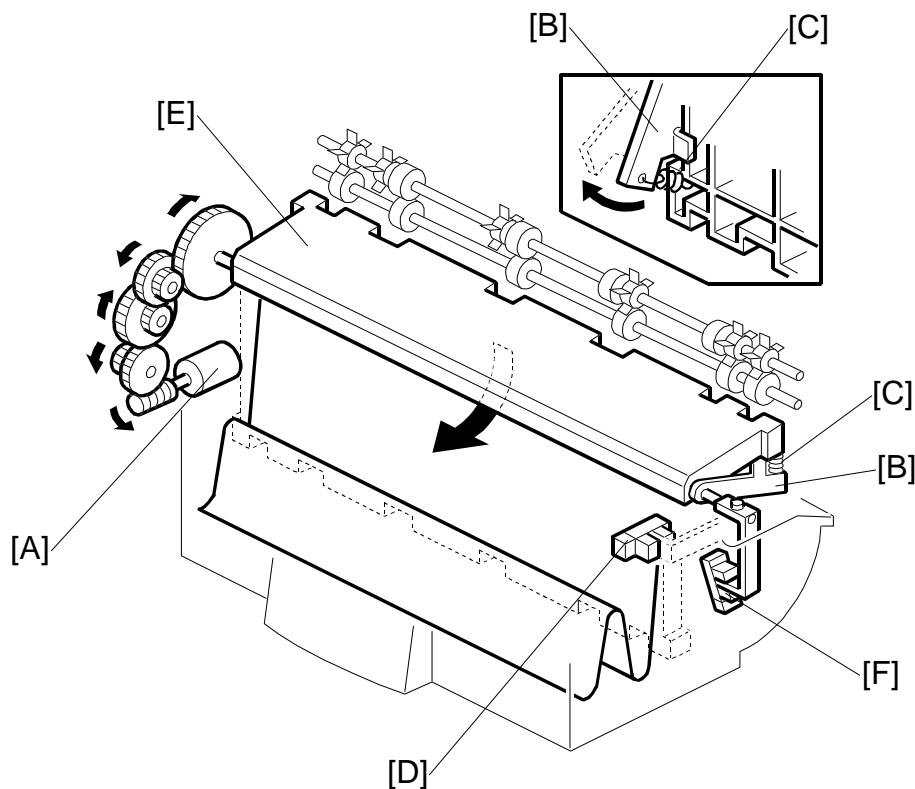
When the master eject motor is turned off, the clamber motor reverses to close the master clamber.

The drum then starts turning at the slowest speed (30 rpm). At the same time, the master eject rollers turn again to feed the master into the master eject box.

After one turn of the drum, the master eject motor stops. The drum turns for an additional half turn, stopping 109 encoder pulses after the feed start timing sensor is actuated (this means that the drum is at the master feed position).

The master eject sensor [C] is used to detect master eject jams.

2.3.4 PRESSURE PLATE MECHANISM



The pressure plate motor [A] drives the pressure plate through the drive arm [B] and the pressure springs [C].

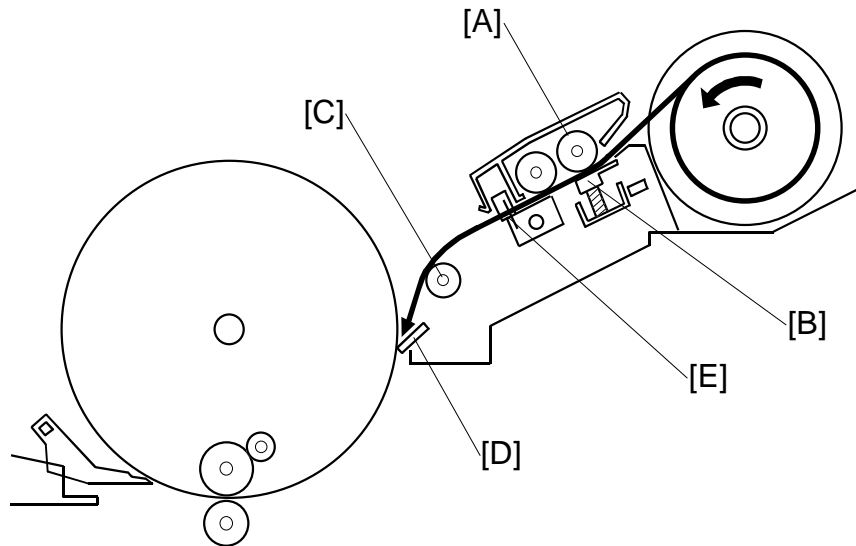
When the master has been ejected into the master eject box, the pressure plate motor turns until the actuator on the pressure plate [E] actuates the pressure plate limit sensor [D]. When the limit sensor is actuated, the motor stops. When master making and cutting are completed, the motor turns in the reverse direction to return the pressure plate to the home position. When the pressure plate home position sensor [F] is actuated, the motor stops.

If the pressure plate limit sensor is not actuated within 2.8 seconds after the pressure plate motor is activated, the machine determines that the eject box is full and that the pressure plate cannot travel any more. In this case, the machine determines that the complete master has been fed into the box and stops the motor (after returning the pressure plate to the home position). The Empty Master Eject Box indicator lights when the drum returns to the home position at the end of the next master making process.

MASTER FEED

2.4 MASTER FEED

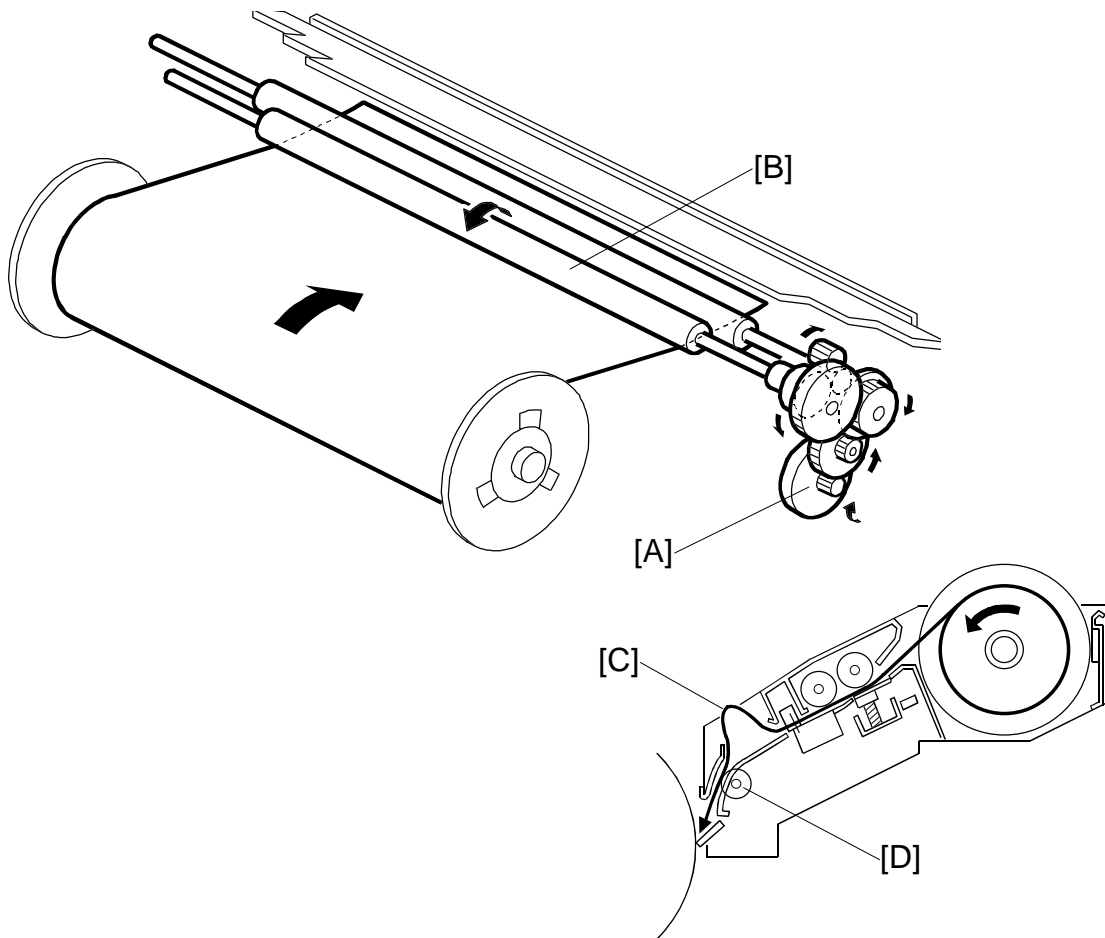
2.4.1 OVERALL



The master is fed by the platen roller [A] while the thermal head [B] develops the image on it. When the drum is at the master feed position and the master clamber is opened, the tension roller [C] is moved away by the master clamber so that the master's leading edge can be fed to the master clamber [D]. The leading edge of the master is clamped by the master clamber, and the master is wrapped around the drum and cut by the cutter [E] to the desired length.

This model uses a new master setting mechanism. This eliminates need for the operator to manually cut the master, unlike the other models.

2.4.2 MASTER FEED MECHANISM



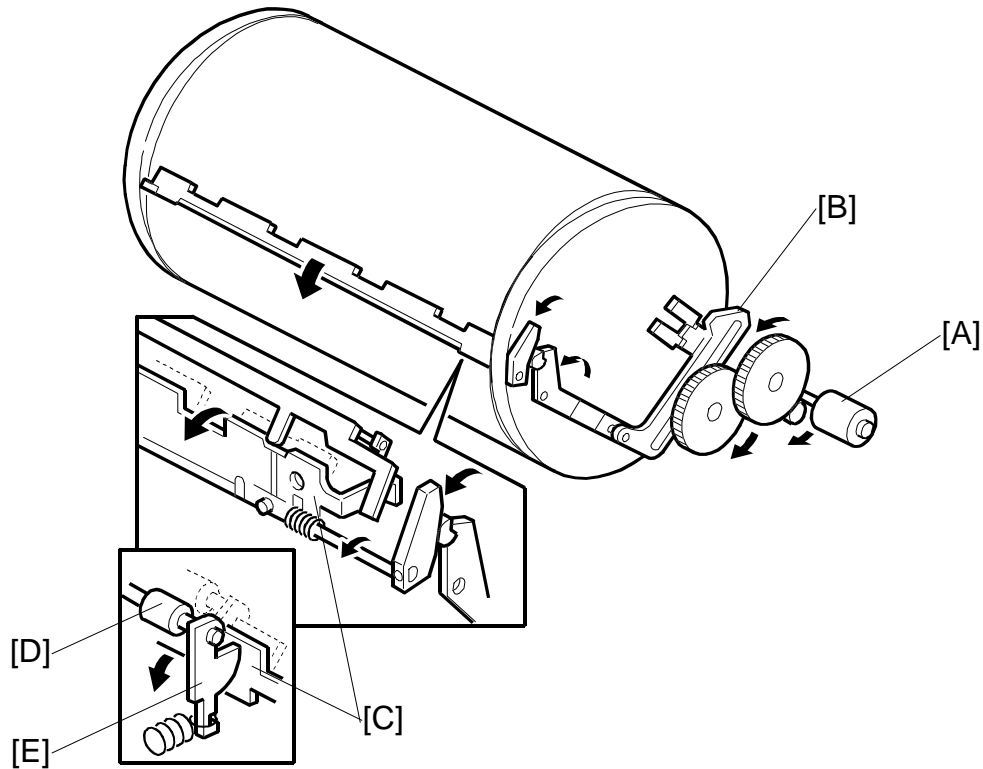
A stepper motor (the master feed motor [A]) drives the platen roller [B]. The thermal head is pressed against the platen roller by the pressure springs. The pressure is applied when the master set cover, which includes the platen roller, is closed.

After the master is ejected, the drum stops at the master feed position and the master clamber opens, ready to clamp the new master.

The leading edge of the master is stopped on the guide plate after the last master cutting operation or after a new master roll has been installed. The master is then fed for 52.4 mm and stopped briefly to synchronize with original feed. The master is fed for a further 67.5 mm before the master clamber is closed. Since the clamber closes after the master's leading edge reaches the clamber, a buckle [C] is made in the master above the master feed guide. This buckle absorbs the shocks from the master clamping operation.

The drum then turns intermittently in the slowest mode (30 rpm) to wrap the master around the drum. The intermittent rotation keeps a buckle in the master above the master feed guide to absorb shocks from the wrapping operation. The tension roller [D] is pressed against the guide plate to keep the master under tension during the master wrapping operation.

2.4.3 MASTER CLAMPER OPERATION AND TENSION ROLLER RELEASE MECHANISM



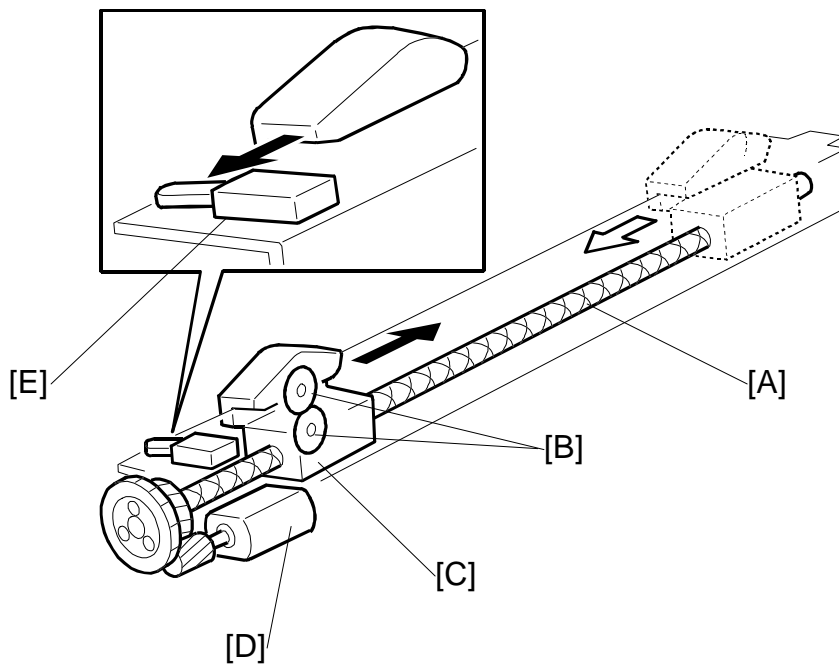
After the master has been ejected, the drum is stopped at the master feed position. At this time, the clamber motor [A] drives the moving link [B] to open the master clamber [C].

The tension roller [D] is normally pressed against the master feed guide plate to apply tension to the master during the master wrapping operation. When the clamber opens, the clamber pushes the tension roller arms [E] and moves the tension roller away from the guide plate to allow the master to be fed into the master clamber.

To close the master clamber, the clamber motor reverses.

NOTE: The clamber open and close sensors identifies the link [B] position. Refer to the Master Eject section for details.

2.4.4 CUTTER MECHANISM



After the master making process finishes, the master feed motor turns off and the cutter starts running to cut the master to the desired length.

The cutter motor [D] drives the screw shaft [A], moving the cutter holder [C] backwards and forwards.

There are two cutter blades [B] in the holder. The master is cut while the cutter holder [C] travels towards the rear (the non-operation side of the machine). The cutter motor keeps turning in one direction. The cutter holder returns to the home position when it reaches the rear end of the cutter unit and reverses direction because of the two different spirals threaded on the screw shaft [A].

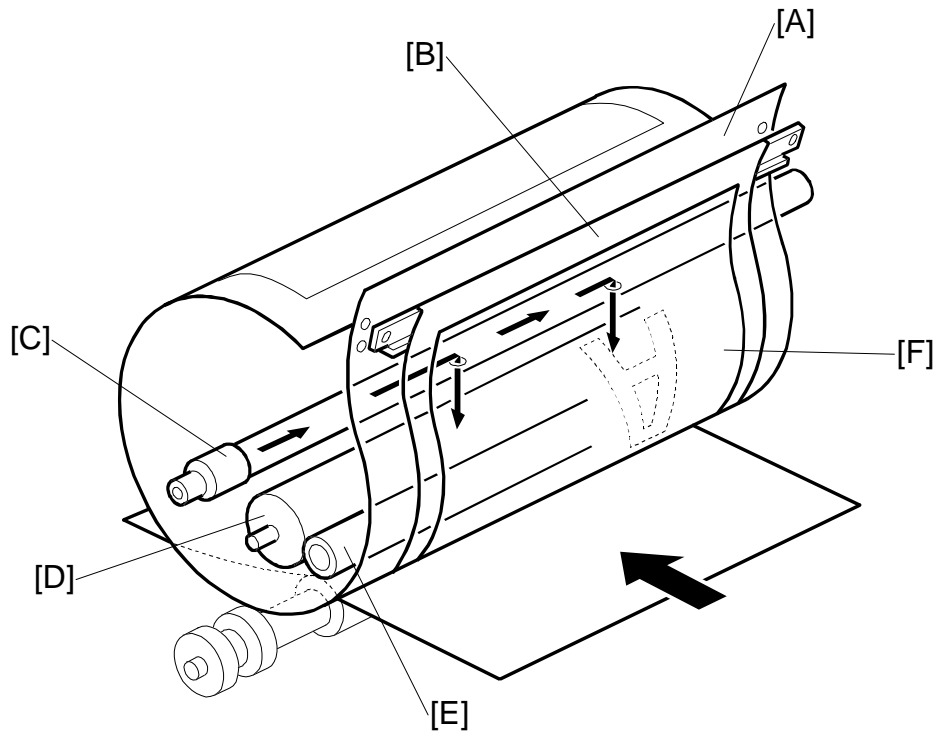
When the cutter holder reaches the home position, the holder activates the cutter home position sensor (switch) [E] and the motor stops.

After the master cut operation, the drum starts turning again to wrap the remaining part of the master around the drum. The leading edge of the master that was cut remains at the cutting position, ready to make the next master.

DRUM

2.5 DRUM

2.5.1 OVERALL

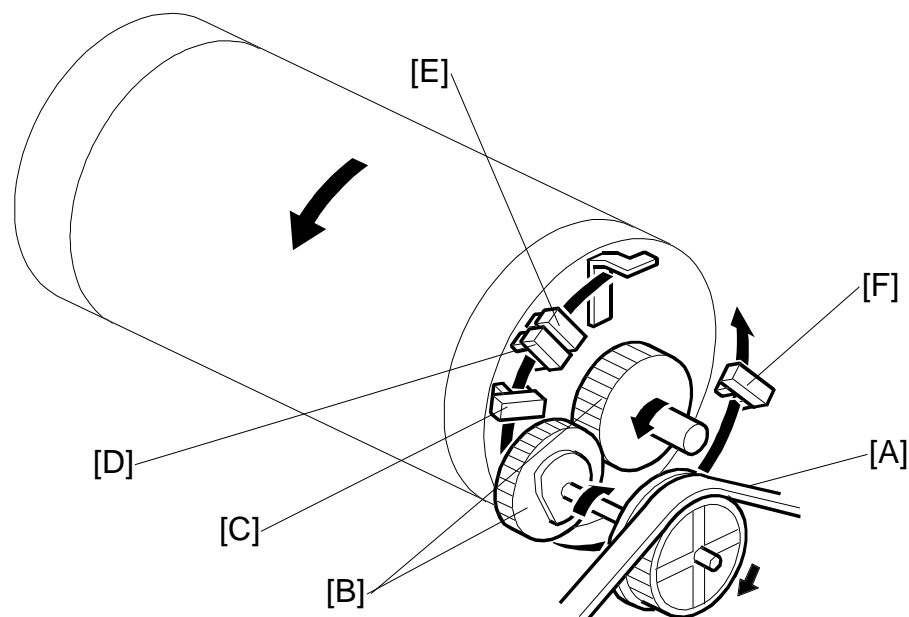


The drum consists of a metal screen [A] and a cloth screen [B].

The ink pump, which is installed inside the drum, supplies ink from the ink cartridge into the drum through the drum shaft [C]. Ink is then evenly spread on the screens by the ink [D] and doctor [E] rollers. Ink passes to the paper through the holes (image) in the master [F], which was made by the thermal head.

The drum is driven by the main motor and turns only clockwise (as viewed from the operator side). The motor speed and the drum stop positions are controlled by monitoring the motor encoder.

2.5.2 DRUM DRIVE MECHANISM



The drum is driven by the main motor (a dc motor) through a timing belt [A] and gears [B]. The main motor has an encoder (not shown) which sends pulses to the main motor control board. The CPU on the board monitors the pulses and controls the drum speed and stop positions.

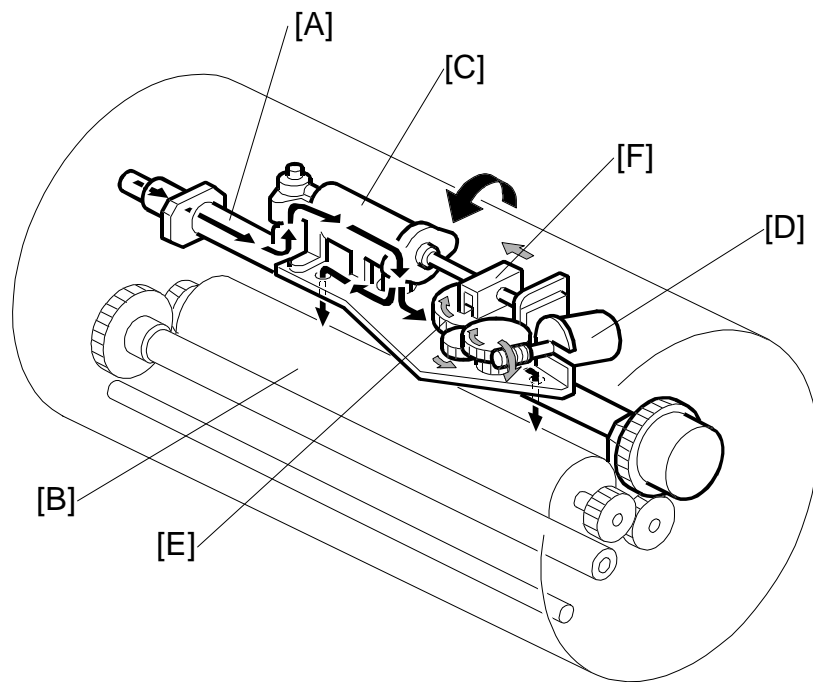
The drum has two stop positions: the master eject (drum home) position and the master feed position. These stop positions are determined by checking the feed start timing sensor [C]. The CPU starts counting the main motor encoder pulses after the feed start timing sensor is actuated.

When the drum is stopped at the master eject position, the master eject position sensor [D] is actuated. When the master eject operation is started, the CPU confirms that the drum is at the master eject position by checking this sensor.

There are other two sensors that check the drum position. The paper exit timing sensor [E] and 2nd feed timing sensor [F] which are used to send the CPU (on the MPU) the paper jam detection timing signals of the paper exit and the registration area. (The actual jam checking is performed by the paper exit sensor and registration sensor.)

DRUM

2.5.3 INK SUPPLY MECHANISM

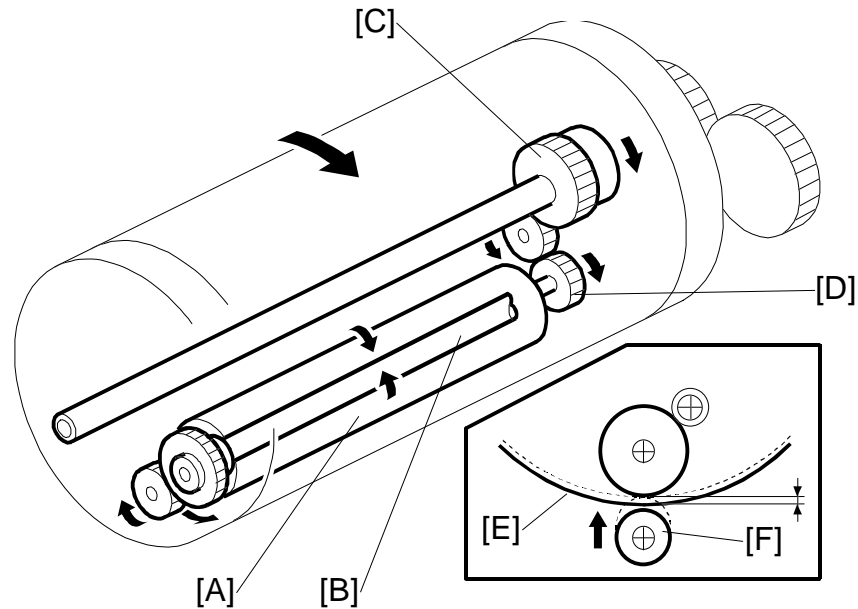


Ink is supplied from the ink cartridge to the ink roller [B] by a pump [C]. The ink pump is driven by the ink supply motor (a dc motor) [D]. There is a pin on the pump drive gear [E] which is coupled with the pin holder [F] on the pump piston shaft. This mechanism converts the gear rotation into a piston motion.

Ink drops through the holes in the drum shaft [A] and onto the ink roller [B].

NOTE: There are 4 holes in the shaft for the B4 size drum models, and two holes for the Legal and A4 drum versions.

2.5.4 INK ROLLER MECHANISM

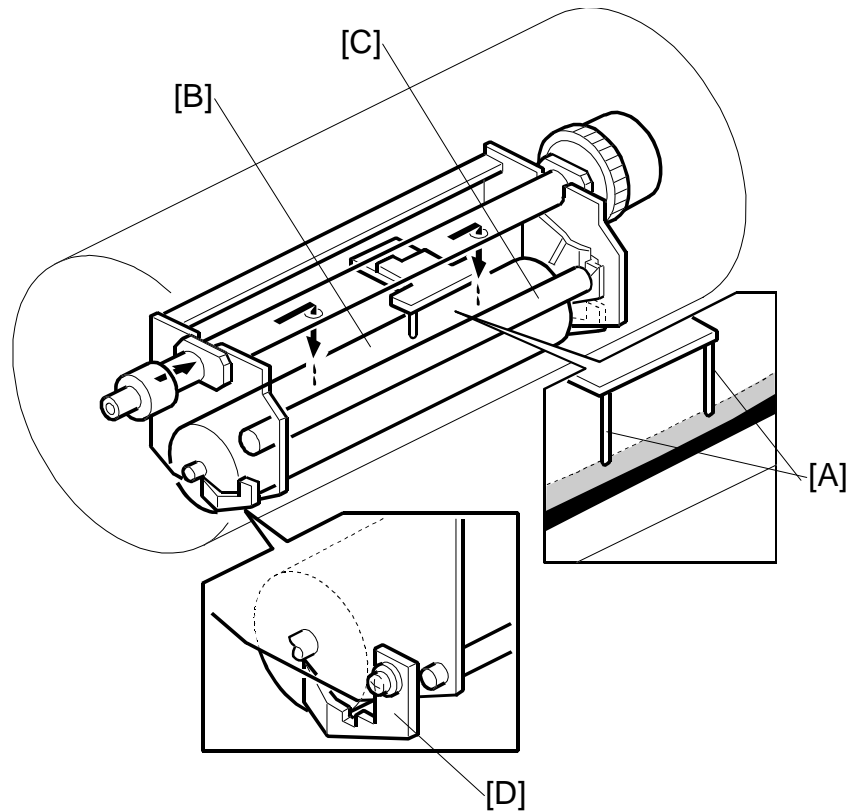


The ink roller [A] and the doctor roller [B] are driven by the gear [C] on the drum shaft. Ink on the ink roller is squeezed by the doctor roller to produce an even thickness of ink across the ink roller surface. The ink roller drive gear [D] has a one-way clutch to prevent the ink roller from being turned in the reverse direction when the drum is manually turned in the reverse direction.

The ink roller does not touch the screen [E] when the machine is not printing. However, during the printing process, the ink on the ink roller is applied to the paper through the holes in the screens and the master. This happens when the press roller [F] located underneath the drum moves upward to press the paper, the drum screens and the master against the ink roller.

DRUM

2.5.5 INK SUPPLY CONTROL



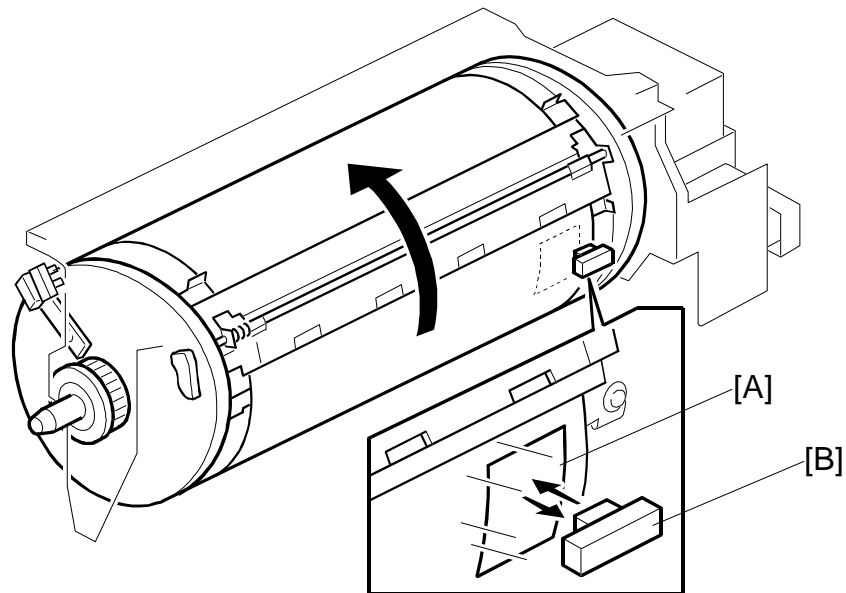
The ink detecting pins [A] work like the electrode of a capacitor and detect the capacitance between the detection pins and the ink [B] located on top of the doctor [C] roller. The capacitance is different when the ink level is high and the pins touch ink, compared to when the ink level is low and the pins do not touch ink. By detecting the capacitance, the ink supply motor is controlled to keep the ink level constant.

If the pins detect an insufficient amount of ink after activating the ink pump motor for 40 seconds, a "no ink condition" is detected. The add ink indicator on the operation panel will light.

NOTE: There is an ink supply mode, which is useful when installing a new drum. When the "Economy Mode" key is pressed while holding down the "0" key, the drum turns 40 rotations, to supply ink inside the drum.

The ink roller blades [D] located on both ends of the ink roller are used to scrape off the built-up ink on the ends of the ink roller.

2.5.6 DETECTION OF MASTERS ON THE DRUM



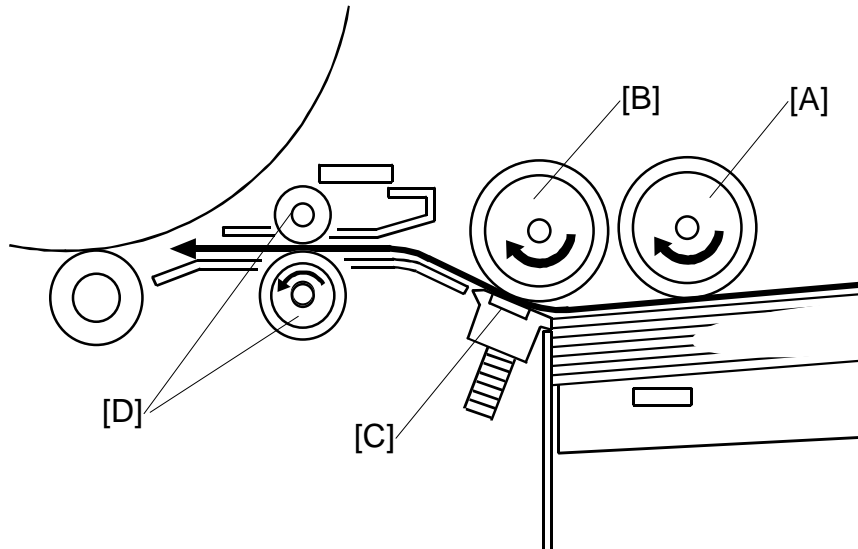
The drum master sensor [B] detects whether a master is on the drum.

When there is a master on the drum, the black patch [A] is covered and the sensor detects the light reflected from the master. Printing starts when the start key is pressed. (If a new original is set, the master ejecting cycle is performed before making a new master.)

When there is no master on the drum, the black patch [A] is exposed. The black patch does not reflect light back to the sensor. Because of this, the master eject process is skipped when a new master is made.

2.6 PAPER FEED

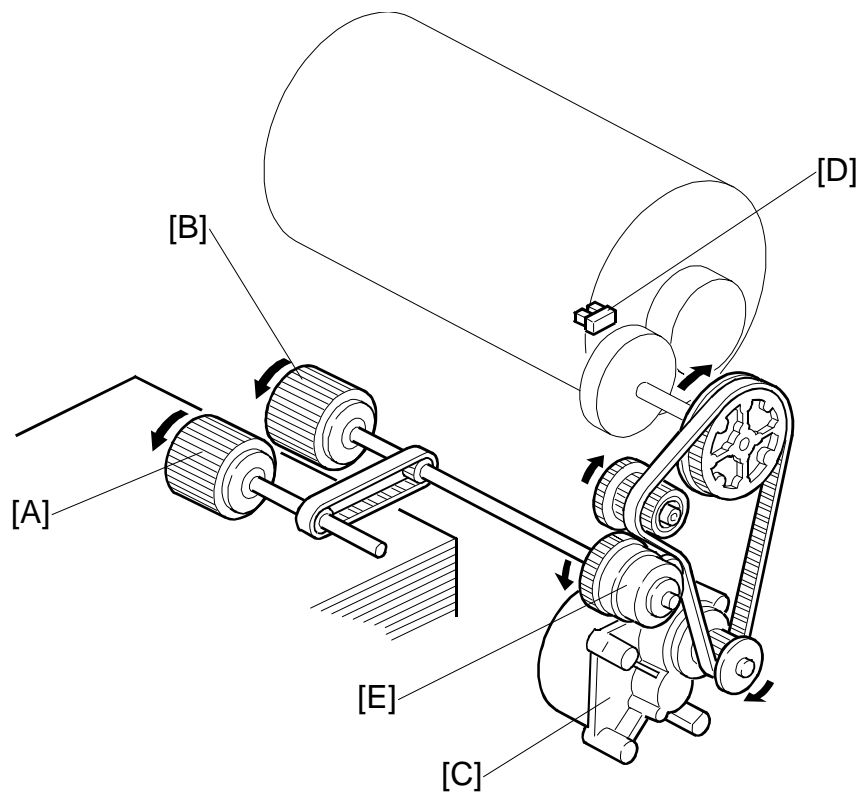
2.6.1 OVERALL



The top sheet of the paper on the paper table is first fed by the pick-up roller [A]. Then, it is separated by the paper feed roller [B] and the friction pad [C], and transported to the registration rollers [D]. The upper and lower registration rollers transport the sheet to the drum.

The paper feed roller is driven by the main motor, and an independent stepper motor is used to control the registration roller. The registration roller synchronizes the paper feed timing with the master on the drum. The registration roller starts rotating after the paper has come into contact with the rollers and has been aligned.

2.6.2 PAPER FEED MECHANISM



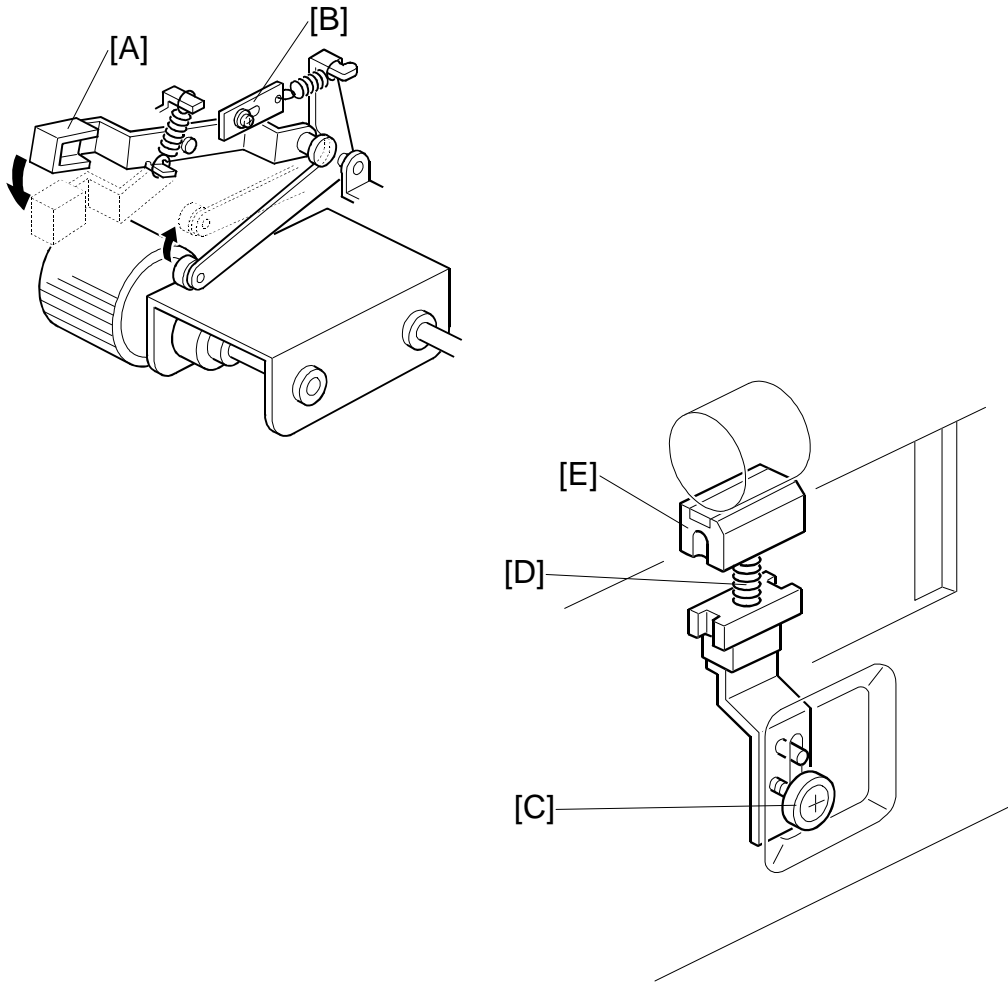
The pick-up roller [A] and paper feed roller [B] are driven by the main motor [C] through gears and a timing belt.

During the printing cycle, when the feed start timing sensor [D] is actuated by the actuator on the drum, the paper feed clutch [E] is energized to transmit the main motor rotation to the paper feed roller shaft. The top sheet of the paper is separated from the paper stack by the friction between the roller and the friction pad (not shown), and is then transported to the registration roller.

A one-way clutch is installed in the paper feed roller so that after the electromagnetic clutch is de-energized, it does not disturb the paper transportation.

PAPER FEED

2.6.3 PAPER FEED/SEPARATION PRESSURE ADJUSTMENT MECHANISM



The paper feed roller pressure can be changed by the operator by changing the position of the pressure adjustment lever [A]. Normally the lever should be in the lower position. If the thick paper (heavier than 127.9 g/m^2 or 34 lb) is used or paper feed jams frequently occur, the lever should be raised to increase the pressure.

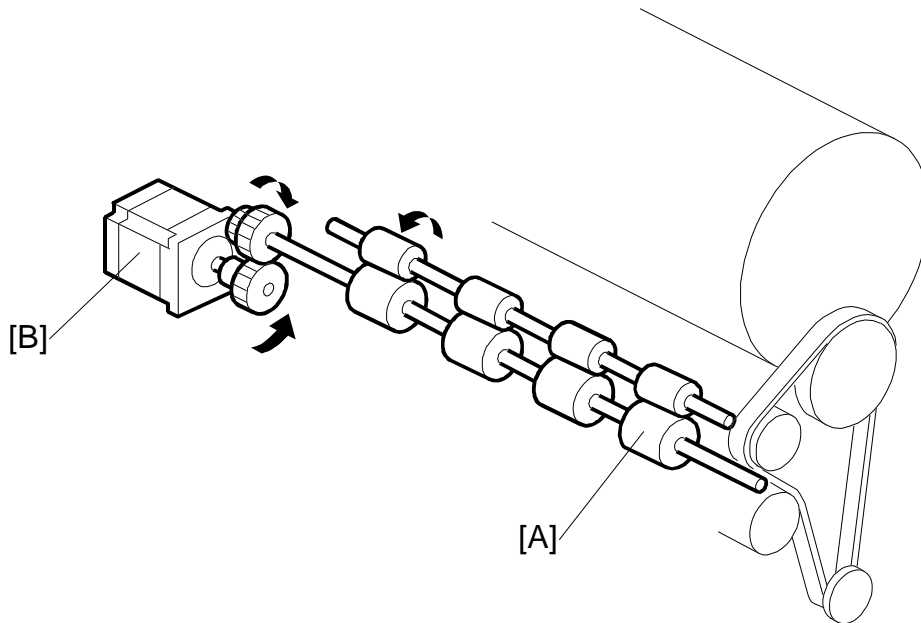
An additional fine adjustment can be done by a technician by changing the position of the feed pressure adjustment plate [B].

If no feed or multi-sheet feed problems still occur, the paper separation pressure can also be adjusted. (This should be done by a technician.)

By loosening then moving the screw [C] up or down, the spring [D], which applies pressure to the friction pad block [E], can be increased or decreased.

NOTE: The default position of the screw [C] is at the lower-most position.

2.6.4 REGISTRATION ROLLER MECHANISM



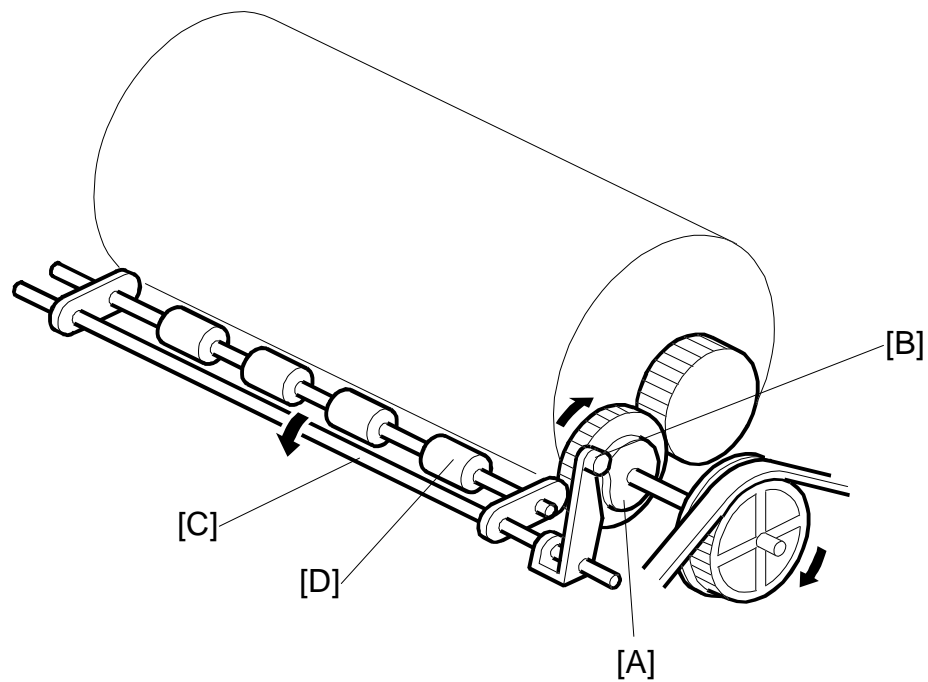
Registration Roller Drive

The lower registration roller [A] is driven by a stepper motor [B] (the registration motor). The CPU controls the registration roller start timing to synchronize the printing paper with the image on the master on the drum.

The stepper motor rotation speed depends on the selected printing speed. By pressing the image position keys on the operation panel, the registration motor start timing is changed.

After the printing paper is caught between the drum and the press roller, the stepper motor stops.

PAPER FEED

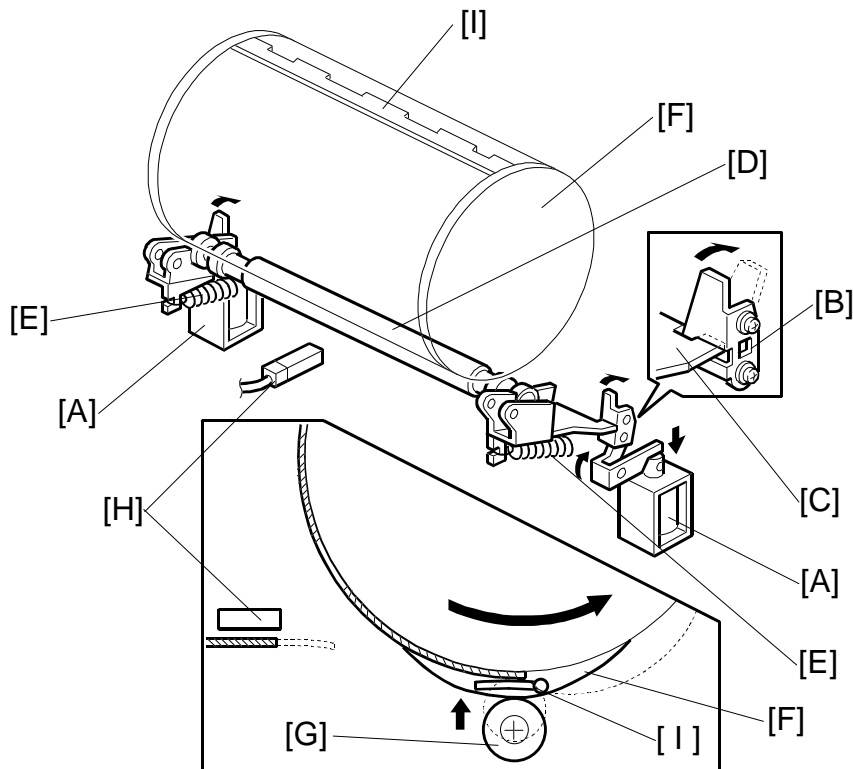


Registration Roller Up/Down Mechanism

After the printing paper is caught between the drum and the press roller, the upper registration roller is released from the lower registration roller. This is to prevent interference from the registration rollers while the paper is transported by the drum and the press roller.

When the high point of the cam [A] on the drum drive gear reaches the cam follower [B], the shaft [C] rotates clockwise (as seen from the operation side) to raise the upper registration roller [D] from the lower registration roller (not shown).

2.6.5 PRINTING PRESSURE MECHANISM



While the machine is not in the printing cycle, the printing pressure release solenoids [A] are off and the stoppers [B] lock the brackets [C] to keep the press roller [D] away from the drum.

When the 1st sheet of paper is fed, the solenoids are energized but the brackets are still locked by the stoppers due to strong tension from the springs [E]. When the high points of the cams [F] on the front and rear drum flanges reach the cam followers [G] on both sides of the press roller shaft, a small clearance is made between the stoppers and the brackets.

There is one solenoid each on the operation side and non-operation side. The two solenoid plungers are pulled down at the same time releasing the stoppers from the brackets. Printing pressure is applied by the tension of the springs when the cam followers are at the high points of the cams.

During the printing cycle, the solenoids stay energized. However, if paper does not reach the registration sensor [H] at the proper time (when the cam follower is on the high point of the cam), the solenoids are de-energized to lock the brackets.

The printing pressure is released when the cams push the cam followers down so that the press roller does not come in contact with the master clamber [I].

After printing is finished, the solenoids are de-energized and the stoppers are returned by the tension of the springs. Before the drum returns to the home position, the brackets are locked by the stoppers again when the cams push the cam followers.

2.6.6 PAPER TABLE MECHANISM

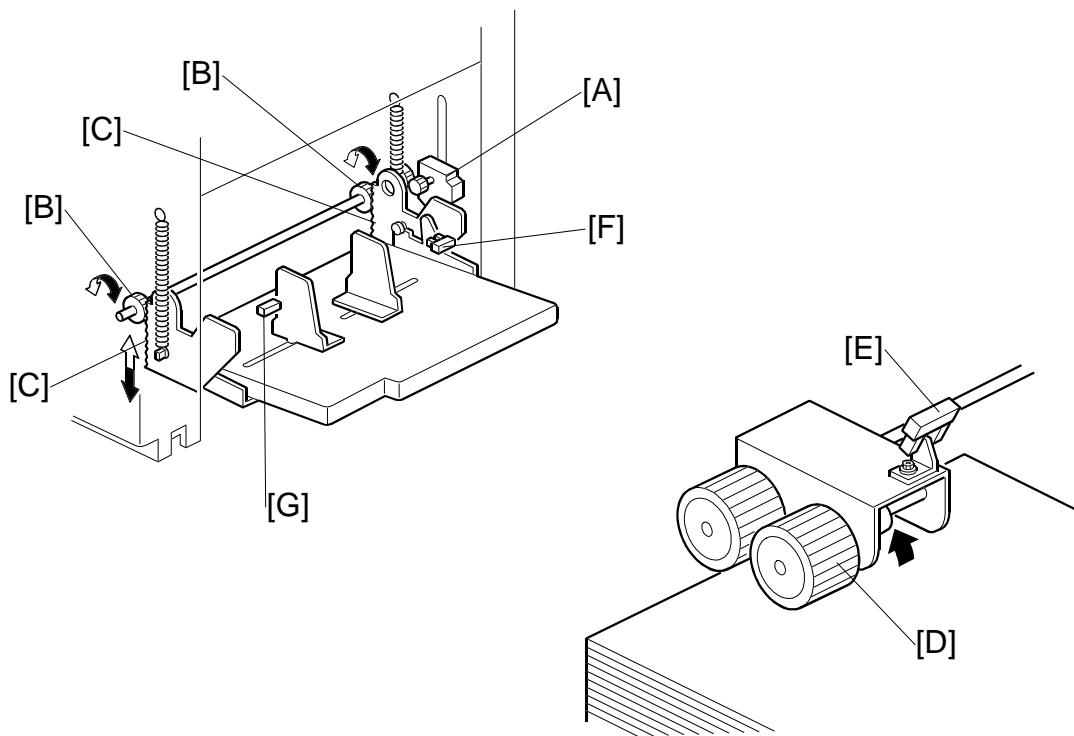


Table Up and Down Mechanism

An independent dc motor, the paper table motor [A], drives the paper table. When the motor turns, the pinions [B] turn on the racks [C], lifting or lowering the paper table.

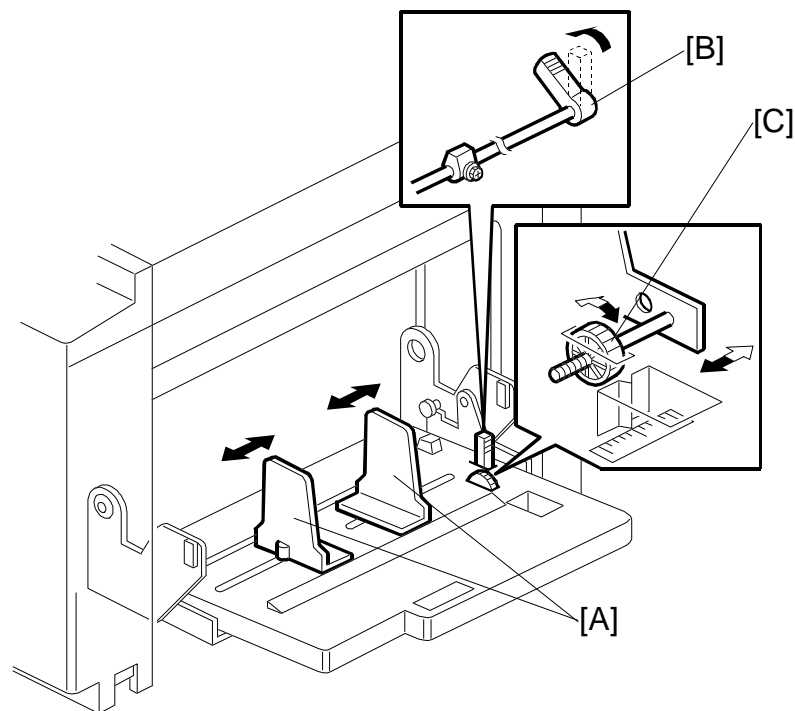
When the paper table moves up, the top of the paper stack contacts the pick-up roller [D], lifting it up. When the paper height sensor [E] is actuated, the paper table stops.

During a printing run, the sheets of the stack are fed, lowering the pick-up roller position. When the paper height sensor is de-actuated, the paper table motor starts turning and raises the paper table until the sensor is actuated again. In this way, the top of the paper stack is kept in position during printing.

When the tray lowers, the lower limit position is detected by the lower limit sensor [F], which is located beside the paper table motor.

Paper End Detection Mechanism

The paper end sensor [G] located under the paper table is used to detect when the paper stack on the table has run out.



Paper Table Side Fence Mechanism

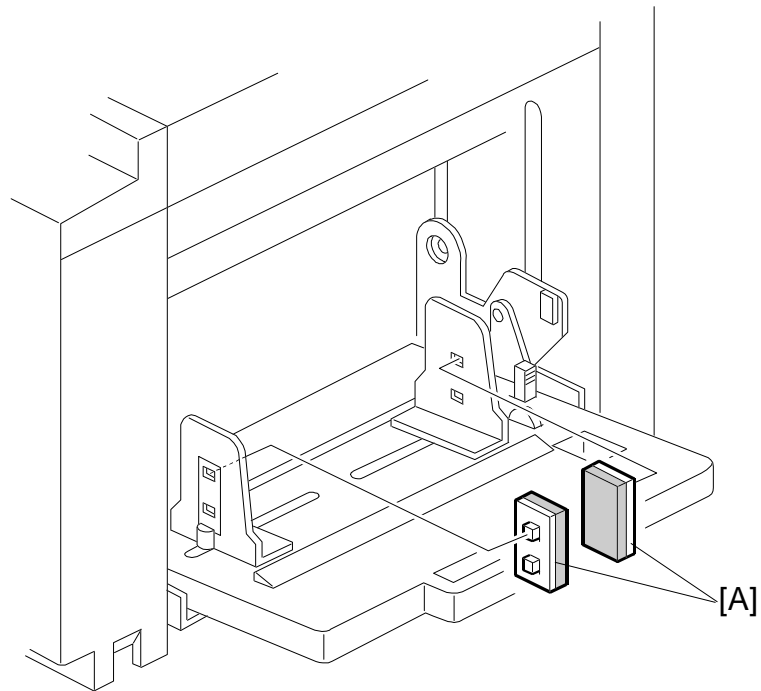
The left and right side fences [A] move together due to a rack and pinion mechanism. There is a lock lever [B] to hold the side fences in position.

NOTE: The lock lever may be useful if there is no dedicated operator and some of the operators cannot set the side fences properly, causing paper feed problems. Advise the operator to use the lock lever once the paper fences are properly adjusted.

Paper Table Side-to-Side Shift Mechanism

The paper table shifting dial [C] shifts the image on the paper. When the dial is turned, the whole paper table moves towards the front or the rear of the machine.

PAPER FEED



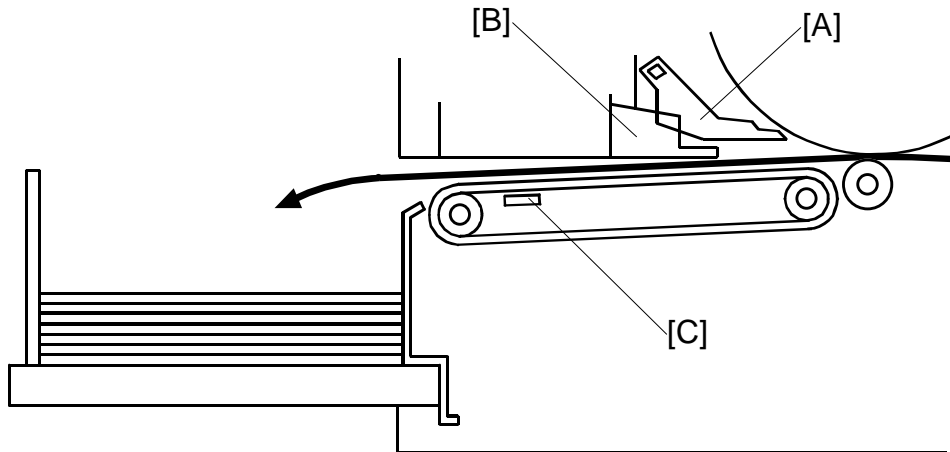
Side Fence Friction Pads

The two side fence friction pads are included as accessories. These are not normally used, but if paper multi-feed frequently occurs, the friction pads [A] can be installed to apply additional stopping pressure to the paper. These are especially useful when thin paper is used.

The user can install the friction pads if they are using thin paper.

2.7 PAPER DELIVERY

2.7.1 OVERALL

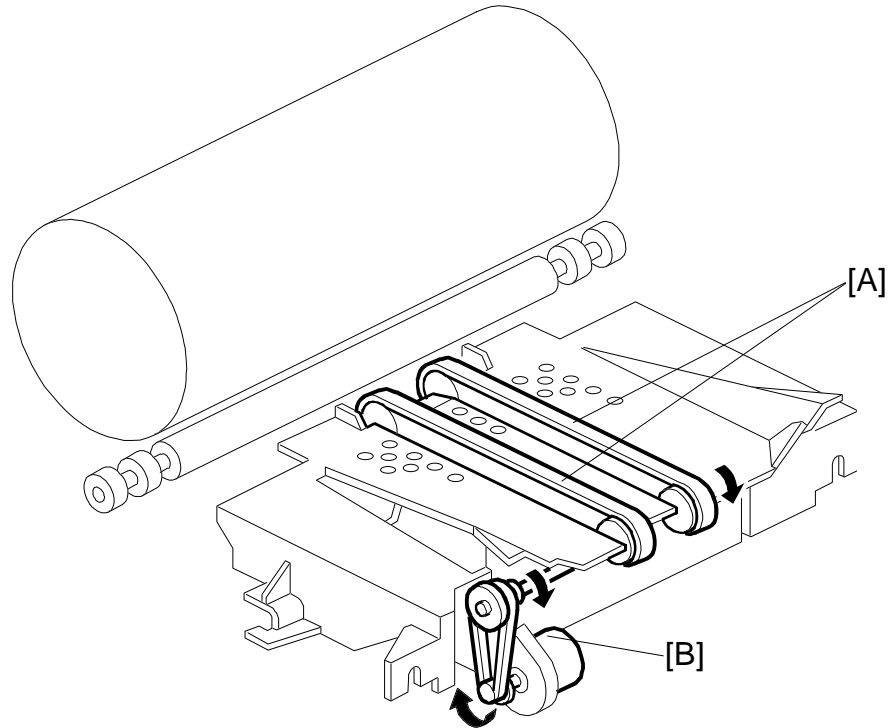


The exit pawl [A] and the air knife [B] separate the paper from the drum. The paper is transported to the delivery table by the delivery unit, which includes rubber belts and a vacuum fan motor.

The paper exit sensor [C] (a reflective photosensor) is used to detect paper delivery jams.

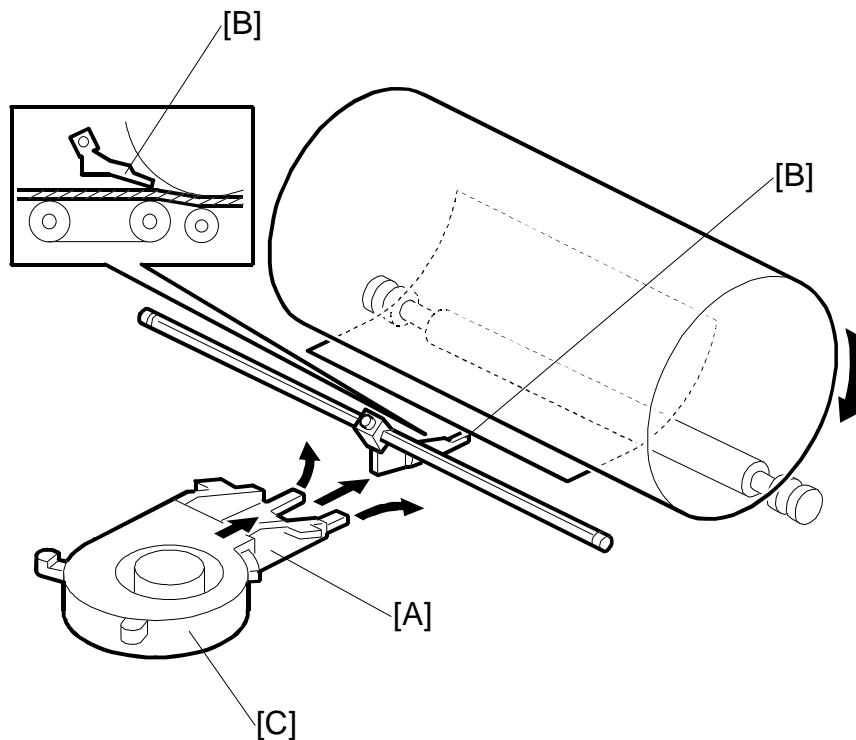
PAPER DELIVERY

2.7.2 PAPER DELIVERY UNIT DRIVE MECHANISM



The vacuum fan inside the unit holds the paper against the transport belts [A] to deliver the paper onto the delivery table. The transport belts are driven by an independent dc motor (the paper delivery motor [B]).

2.7.3 PAPER SEPARATION FROM DRUM



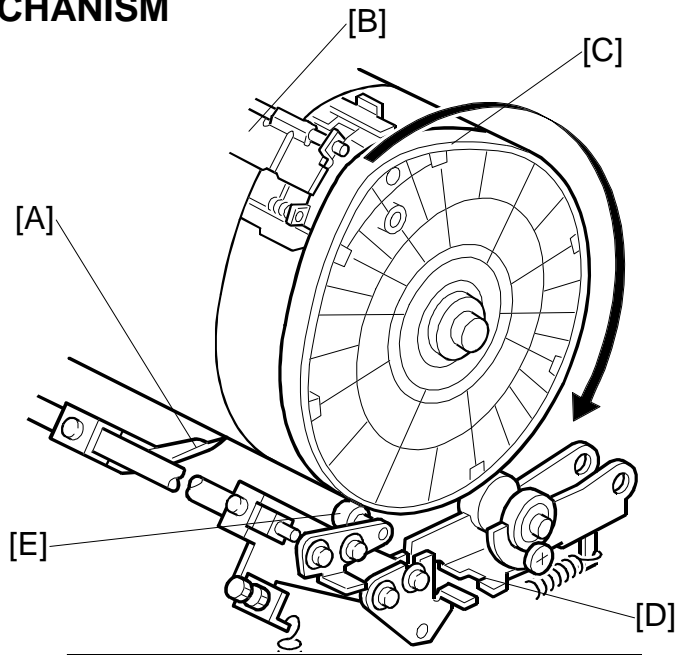
The air from the air knife nozzle [A] separates the paper from the drum.

The exit pawl [B] prevents the paper from being transported upwards and being wrapped around the drum, if the air does not separate the paper properly.

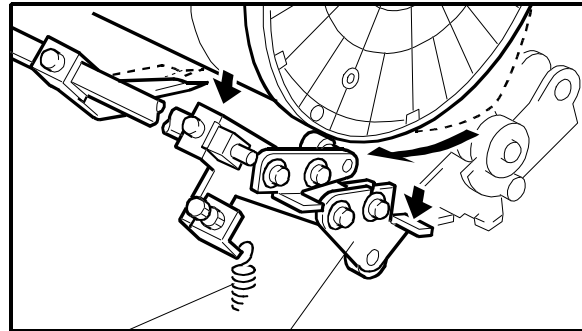
The air knife fan motor [C] starts blowing air when either the print start key is pressed or the master cutting cycle is finished. The paper passes under the exit pawl and is delivered onto the delivery table. The motor air knife stops after the last sheet of paper is fed out.

2.7.4 EXIT PAWL DRIVE MECHANISM

During printing, the distance between the exit pawl [A] and the drum is very small to prevent paper wrap jams. However, when the master clamper [B] approaches the exit pawl (as the drum turns), the pawl has to be moved away from the drum to prevent it from being damaged by the master clamper. This is controlled by the front drum flange [C], which is cam-shaped, and the cam follower [E] on the exit pawl shaft.



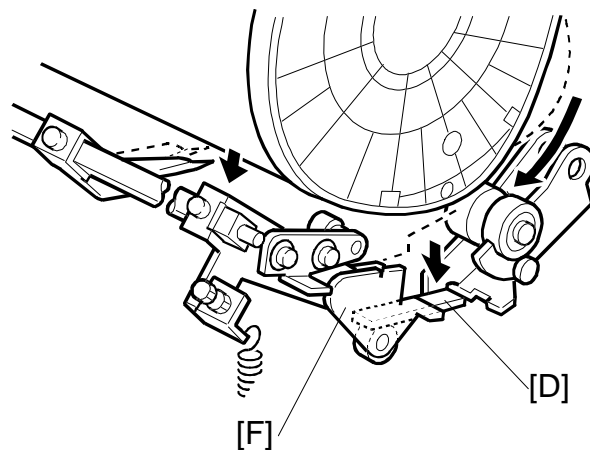
When the cam follower is not pushed away by the drum flange, the exit pawl is positioned close to the drum surface, by the tension of spring [G].



As the master clamper approaches the exit pawl, the high point of the drum flange cam [C] moves into contact with the cam follower [E] pushing it down. This moves the cam follower arm [F] downwards. The pawl shaft turns clockwise to move the pawl away from the drum.



When printing finishes and the printing pressure is released, the cam follower arm [F] is engaged by the printing pressure release arm [D] and held in the lower position. Therefore, after printing finishes, the cam follower is out of contact with the cam, and the exit pawl moves away from the drum to its normal position.



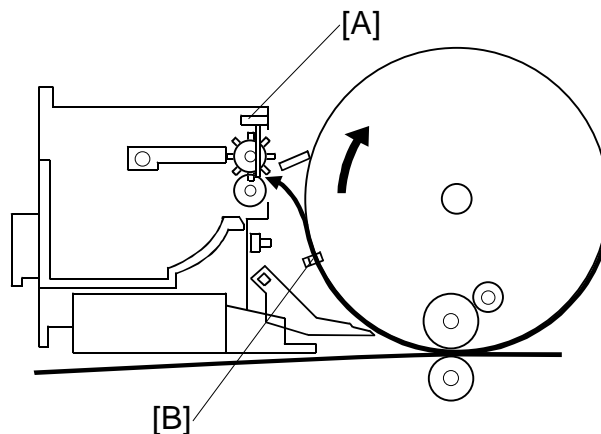
2.8 ERROR DETECTION

2.8.1 ORIGINAL JAM DETECTION

The jam indicator lights if any one of the following conditions occur.

Jam Condition	Description
Non-feed	The scan line sensor does not switch on within 5 seconds after the ADF motor starts.
Misfeed 1	The scan line sensor does not turn off after turning on even when the trial print is made (when the printing pressure sensor is actuated).
Misfeed 2	When the final page of the document has been fed out of the scanner, or when a jammed document has been removed, the ADF motor reverses. The message is displayed if the document sensor stays on at this time.

2.8.2 MASTER EJECT JAM DETECTION

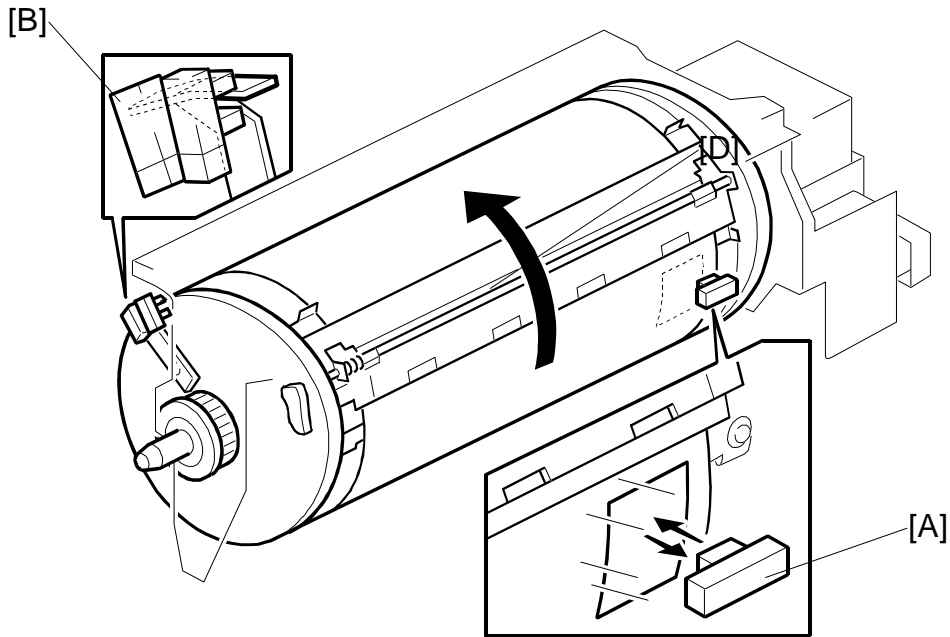


The master eject jams are detected by the master eject sensor [A]. The jam indicator will light if any of the following conditions occurs:

- 1) If the master eject sensor is actuated when the main switch is turned on.
- 2) If the master eject sensor is not actuated within 0.3 seconds after the drum started turning to feed the master into the master eject box.
- 3) If the master eject sensor is not actuated when the drum makes a half turn and passes the 2nd feed timing sensor [B]. This happens when the leading edge of the picked up master is pulled back to the drum and the master remains on the drum. (The jam indicator lights after the drum returns to the home position.)
- 4) If the master eject sensor is actuated when the pressure plate is returned to the home position. This happens when the trailing edge of the master sticks on the pressure plate and is pulled back to the master eject rollers.

ERROR DETECTION

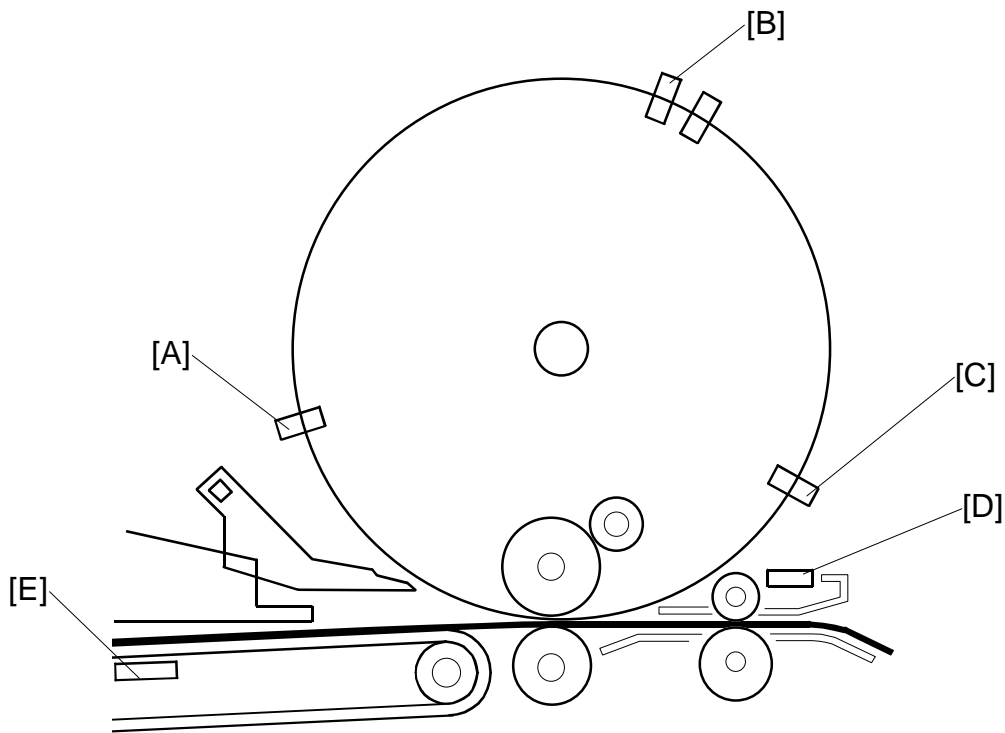
2.8.3 MASTER FEED JAM DETECTION



There is no jam sensor in the master feed path. Master feed jams are detected by the drum master sensor [A], which detects the presence of the master on the drum.

When the drum returns to the home position (i.e. the master eject position) after master making, if the drum master sensor [A] does not detect a master on the drum, the jam indicator on the operation panel will light. (The master eject position sensor [B] is used to identify when the drum is at the home position.)

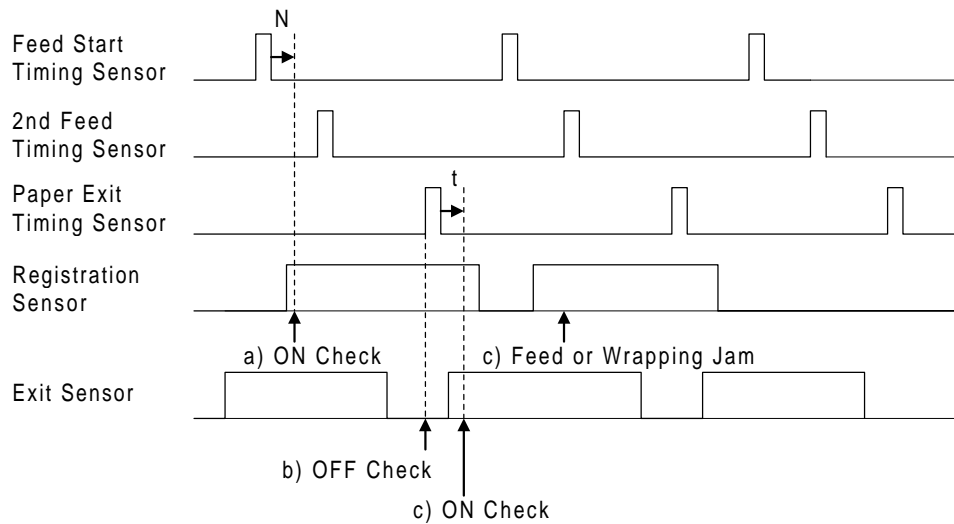
2.8.4 PAPER FEED JAM DETECTION



Paper jams are detected by the registration sensor [D] and the exit sensor [E]. Jam detection timing is determined by the drum position sensors and the main motor encoder (not shown). The 2nd feed timing sensor [A] and the paper exit timing sensor [B] are used as the drum position sensors.

The timing chart on the next page shows the jam detection timing.

ERROR DETECTION



- a) When the CPU counts a certain number of main motor encoder pulses (N) after the feed start timing sensor is actuated, if the registration sensor does not detect the paper, the jam indicator lights.
- b) When the paper exit timing sensor is actuated, if the exit sensor remains activated, the jam indicator lights.
- c) When a certain time (t) (this time depends on the drum speed) has passed after the paper exit timing sensor is actuated, if the exit sensor is not activated, the machine detects a paper jam. If this jam condition is detected, the CPU will stop the next paper from being fed. When the 2nd feed timing sensor is actuated:
 1. If the registration sensor is activated, a registration failure is detected.
 2. If the registration sensor is not activated, a paper wrap jam is detected.

INSTALLATION

3. INSTALLATION

3.1 INSTALLATION REQUIREMENTS

Carefully select the installation location because environmental conditions greatly affect machine performance.

3.1.1 OPTIMUM ENVIRONMENTAL CONDITION

1. Temperature —10 to 30°C (50 to 86°F)
2. Humidity —20 to 90 % RH 20 to70 % RH (ADF)
3. Install the machine on a strong and level base. The machine must be level within 5 mm (0.2”) both front to rear and left to right.

3.1.2 ENVIRONMENTS TO AVOID

1. Locations exposed to direct sunlight or strong light (more than 1,500 lux).
2. Dusty areas.
3. Areas containing corrosive gases.
4. Locations directly exposed to cool air from an air conditioner or reflected heat from a space heater. (Sudden temperature changes from low to high or vice versa may cause condensation within the machine.)

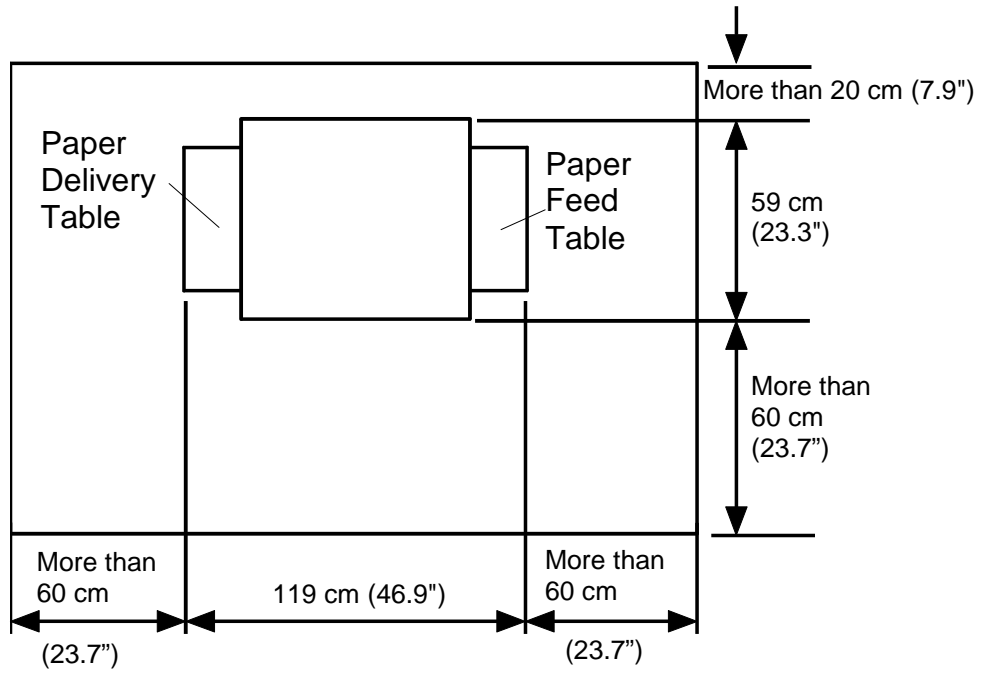
3.1.3 POWER CONNECTION

1. Securely connect the power cord to a power source.
2. Make sure that the wall outlet is near the machine and easily accessible.
3. Make sure the plug is firmly inserted in the outlet.
4. Voltage must not fluctuate more than 10%.
5. Avoid multi-wiring.
6. Do not pinch the power cord.

INSTALLATION REQUIREMENTS

3.1.4 ACCESS TO MACHINE:

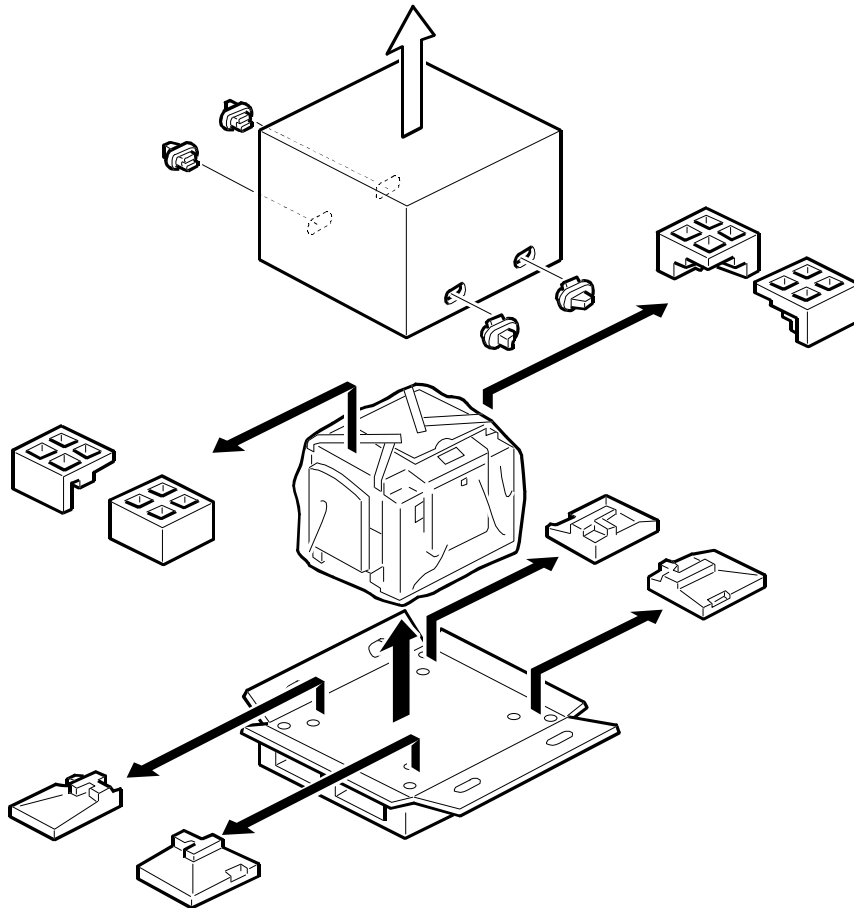
Place the machine near a power source, providing clearance as shown below.



3.2 INSTALLATION PROCEDURE

3.2.1 MAIN BODY

Accessory Check



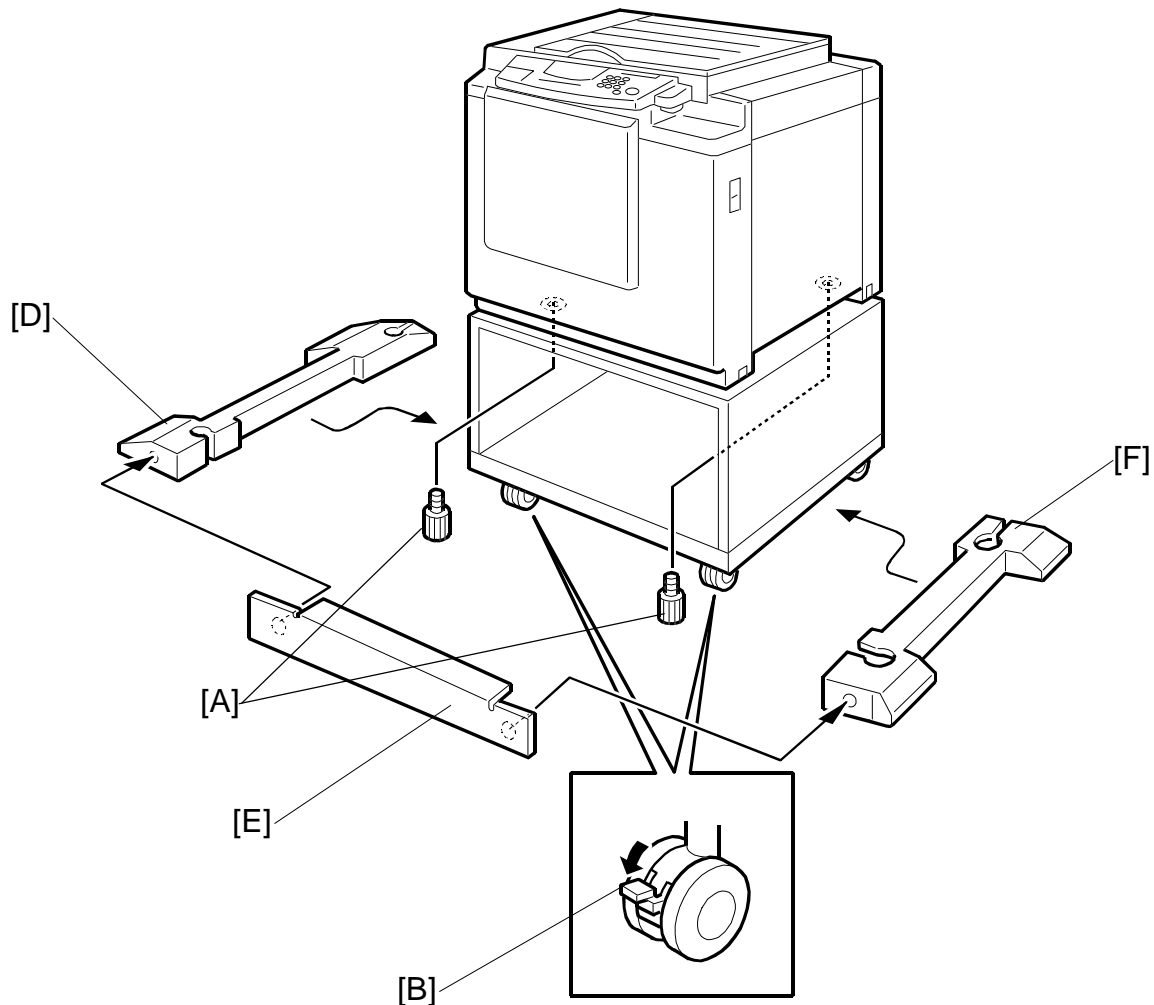
Installation

Make sure that you have all the accessories listed below:

Master Spool.....	2
Paper Feed Side Pad.....	2
Operating Instructions (except the Ricoh European version) ..	1
NECR (Ricoh version only)	1
Stabilizer brackets (3 brackets).....	1 set
Model Name Plates (OEM version only)	1 set

INSTALLATION PROCEDURE

Installation Procedure

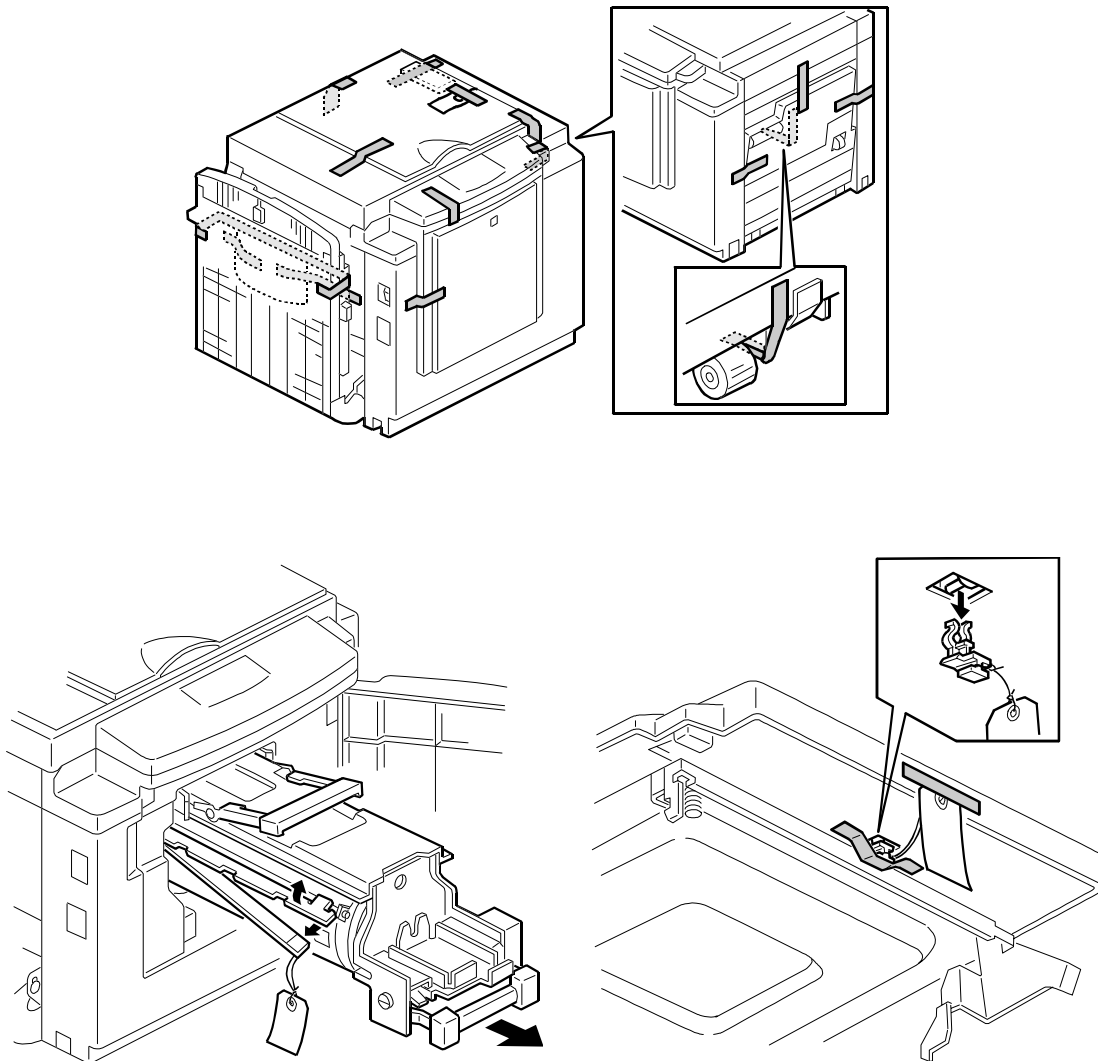


1. Unpack the box. When installing the optional table, mount the machine, as shown (There are 2 screws packed with the table).

⚠ CAUTION

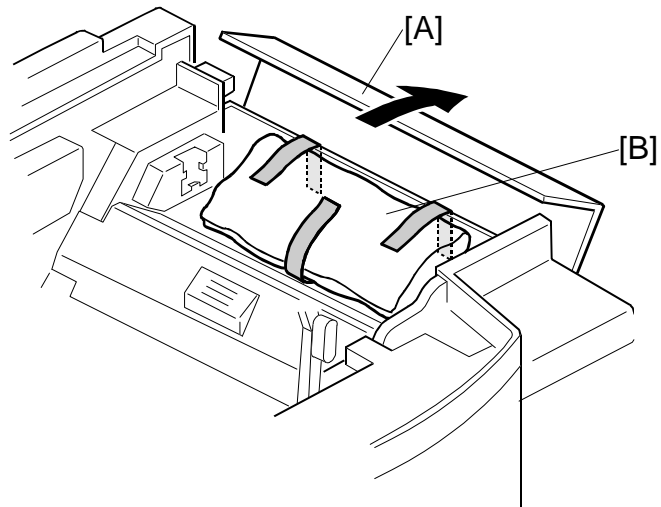
- 1) Unplug the power cord before starting the following procedure.
- 2) Only handle the carrying handles on the bottom corners of the machine.
- 3) Secure the machine on the table with the 2 screws [A] provided. This procedure prevents the machine from falling from the table when the scanner unit is open.
- 4) Lock the casters of the table as shown [B], to prevent the machine from moving (e.g. when the drum is set).
- 5) Set the stabilizer brackets [D], and [F] under the optional table and connect 2 stabilizer brackets [D] and [F] by the stabilizer bracket [E].

INSTALLATION PROCEDURE

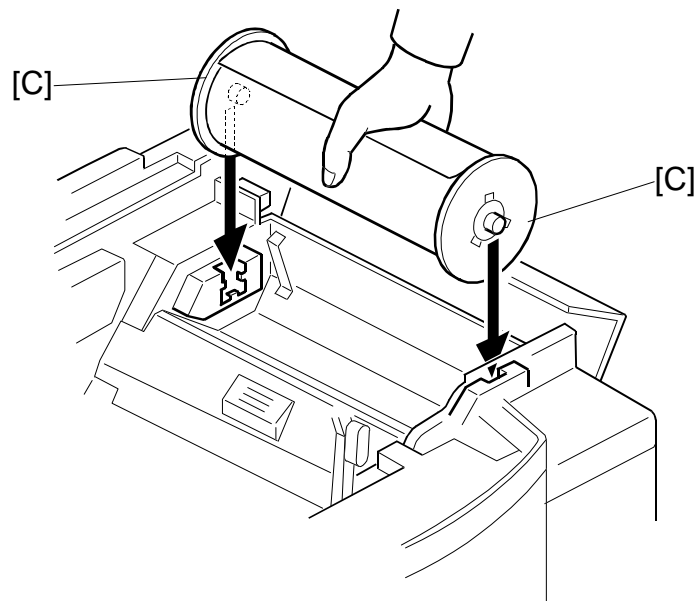


2. Remove the tape and string securing the covers and units as shown above.
3. Open the paper delivery table.

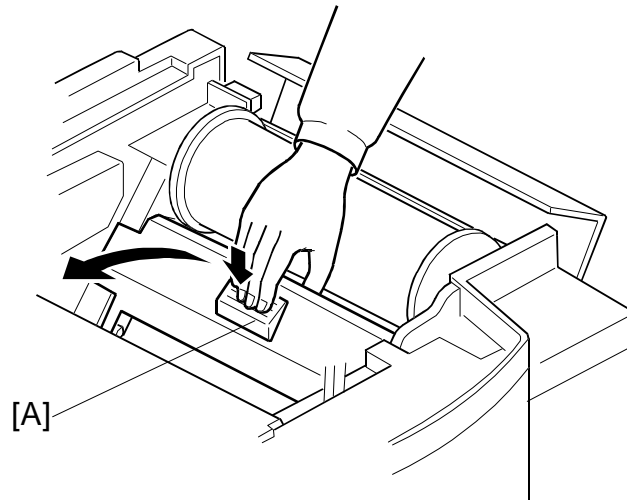
INSTALLATION PROCEDURE



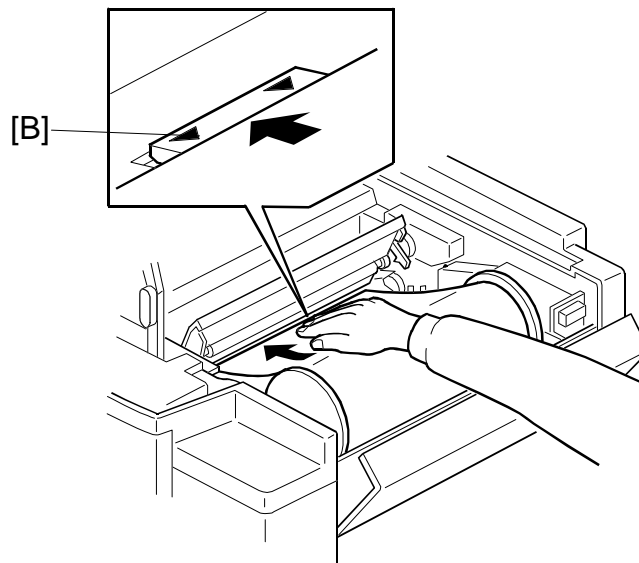
4. Open the scanner unit, then the upper cover [A], and take out the accessory bag [B].



5. Insert both spools [C] into the new master roll.
6. Set the master roll as shown.



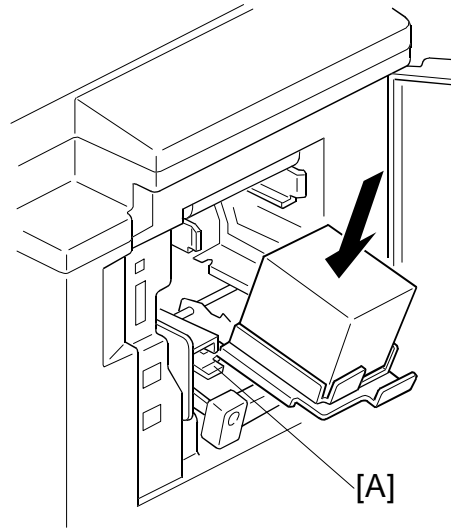
7. Open the platen roller unit by pushing the button [A].



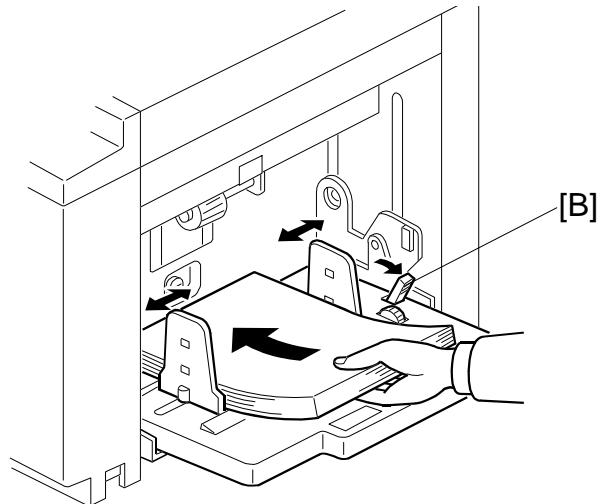
8. Insert the leading edge of the master roll under the platen roller. The arrows [B] indicate the correct position of the master leading edge.
9. Close the platen roller unit.
10. Close the upper cover and scanner unit.

INSTALLATION PROCEDURE

11. Push the ink cartridge release button [A] to slide out the ink cartridge holder.
12. Install the new ink cartridge.



13. Release the side fence lock lever [B], then install the paper.
14. Adjust the side fence positions so that they touch the paper firmly. Engage the side fence lock lever [B].
15. Firmly insert the plug in the wall outlet.



CAUTION: Make sure that the wall outlet is near the machine and easily accessible.

16. Turn on the main switch.
17. Press the “Economy Mode” key while holding down the “0” key, to supply ink in the drum.
18. Make test copies.

3.2.2 AUTO DOCUMENT FEEDER (OPTION)

Accessory Check

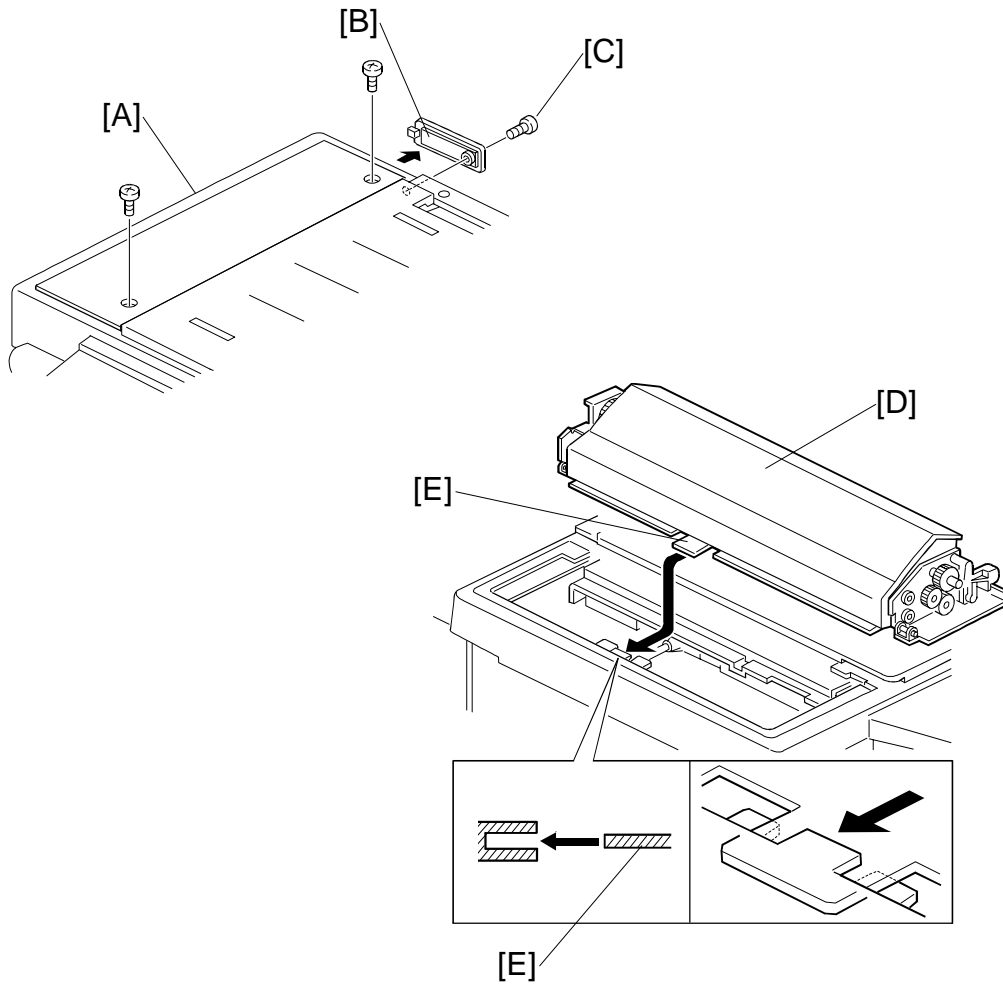
Make sure that you have all the accessories listed below:

ADF Unit	1
Upper Front Cover	1
Upper Rear Cover	1
Lower Front Cover	1
Lower Rear Cover	1
Connector Cover	1
ADF Roller Assembly	1
Original Table	1
Platen Cover Stopper	1
M3 x 8 Screws (to install the lower front/rear covers)	4
M3 x 6 Sunken Screws (to install the upper front/rear covers)	2



INSTALLATION PROCEDURE

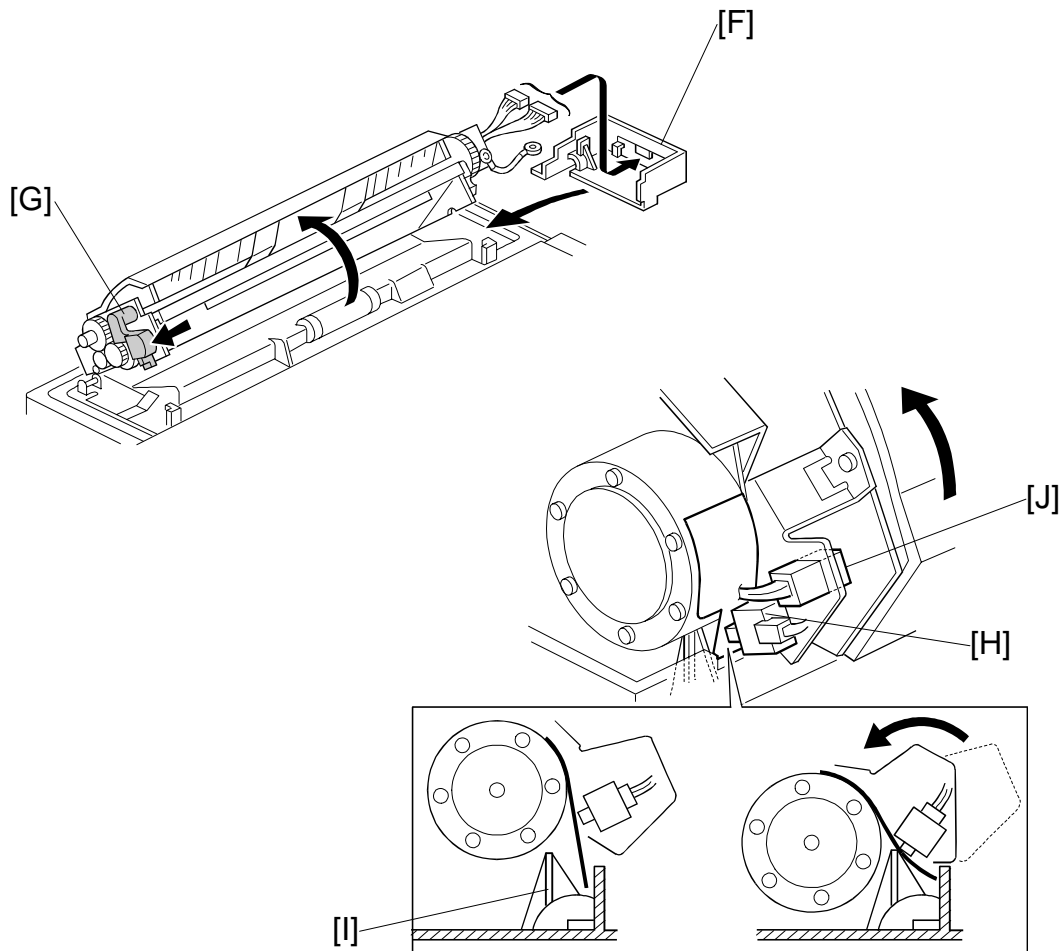
Installation Procedure



1. Remove the cover [A] (2 screws).
2. Remove the small cover [B] (1 screw). Retain the screw [C] for step 9.
3. Mount the ADF unit [D].

NOTE: When you mount the ADF unit [D] onto the scanner unit, make sure to insert the tab [E] as shown above.

INSTALLATION PROCEDURE



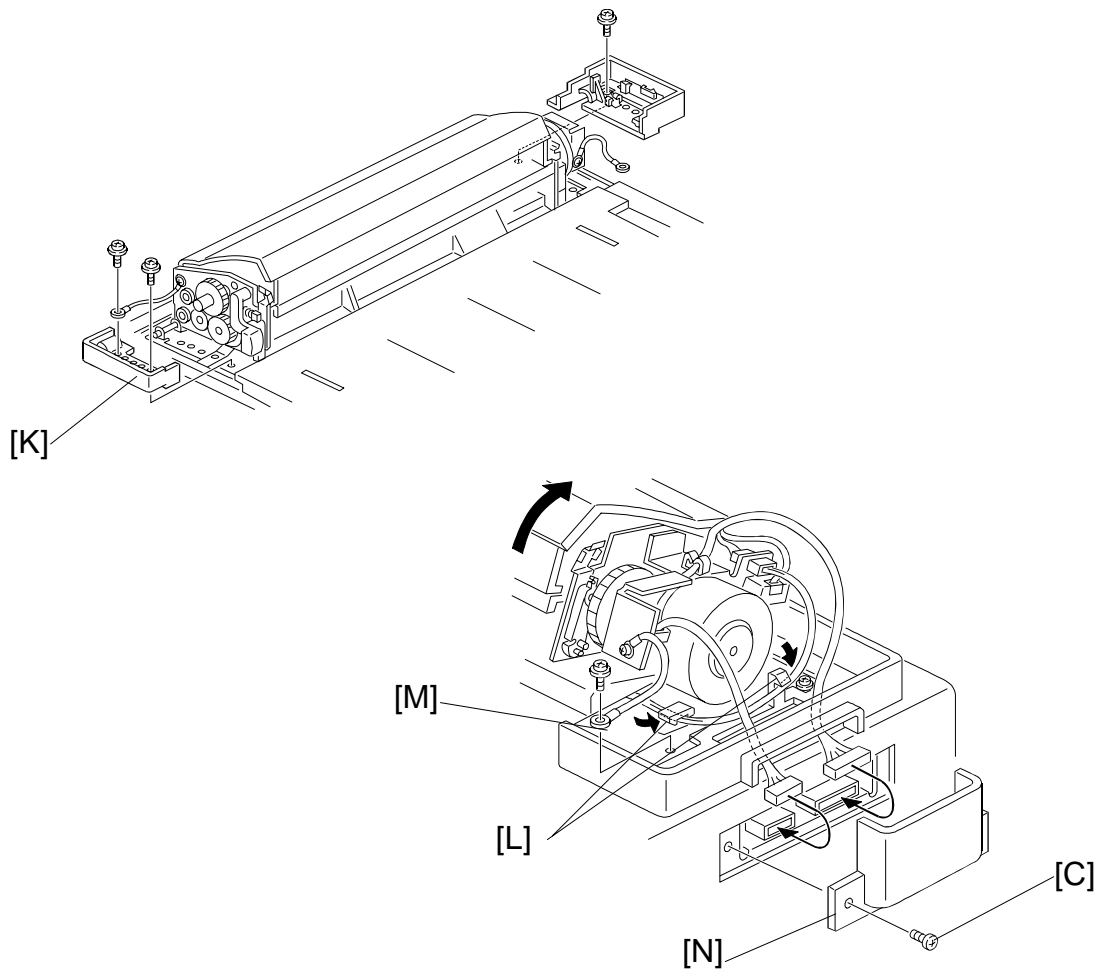
4. Secure the non-operation side of the ADF unit with the ADF lower rear cover [F] (1 screw).

NOTE: 1) When you install the ADF lower rear cover [F], at first you must open the ADF unit (flip it up) by pressing the release lever [G] as shown above.

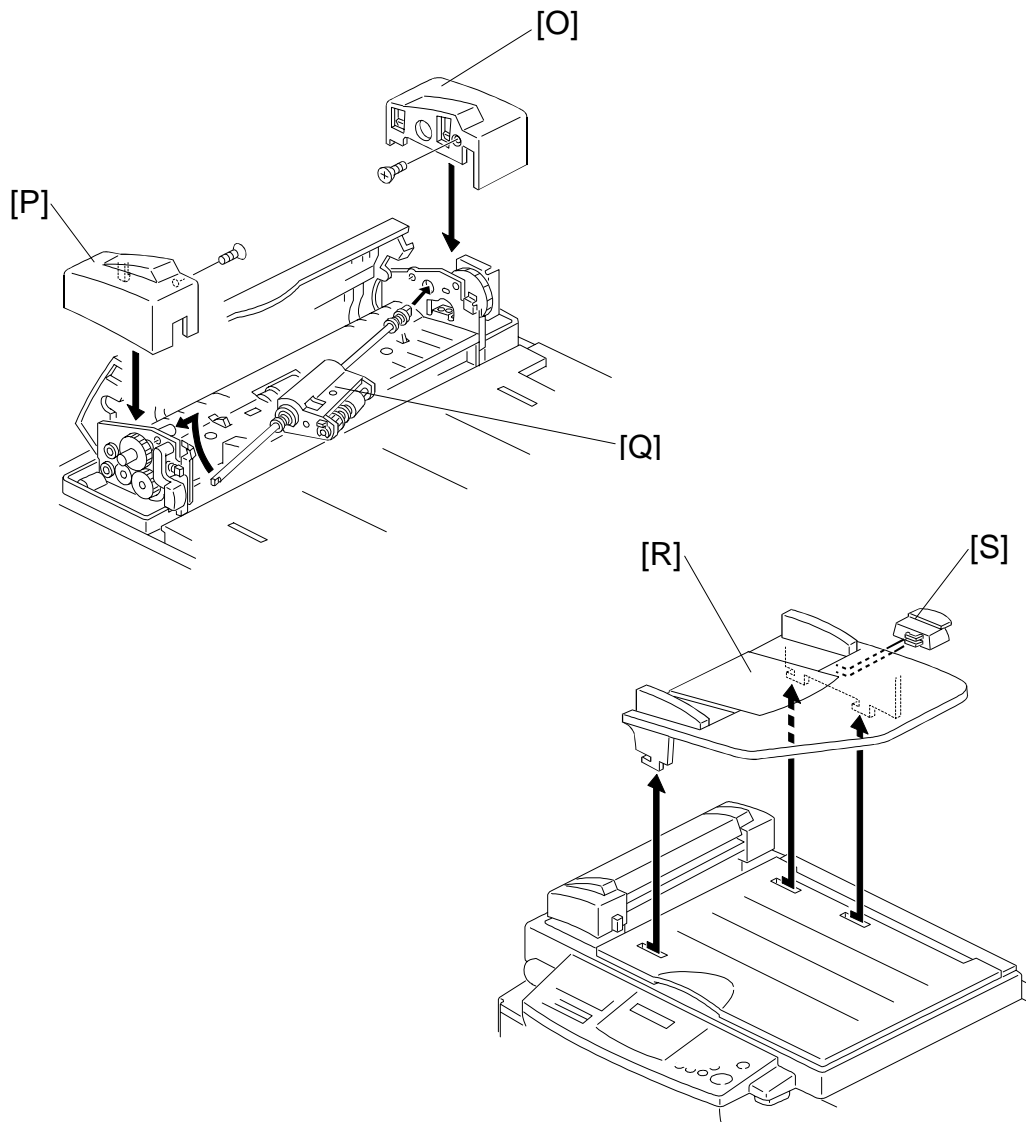
2) There is a switch [H] to detect whether the ADF unit is closed. Make sure that the switch is properly activated when the ADF unit is closed after installing the ADF lower rear cover [F]. Use care installing the ADF lower rear cover because the rib [I] in the cover may interfere with the movement of the switch.

3) The connector [J] is not used and remains open.

INSTALLATION PROCEDURE



5. Secure the operation side of the ADF unit with the ADF lower front cover [K] (2 screws). Secure the grounding wire as shown.
6. At the non-operation side of the ADF unit, secure the harness with the two clamps [L].
7. Secure the grounding wire [M] (1 screw).
8. Pass the two harnesses through the cutout in the ADF lower rear cover, and then connect the harnesses to the main body.
9. Attach the connector cover [N] with the screw [C] removed in step 2.



10. Attach the ADF upper rear cover [O] (1 sunken screw and 1 hook).
11. Attach the ADF upper front cover [P] (1 sunken screw and 2 hooks).
12. Install the ADF roller assembly [Q].
13. Attach the original table [R], then the platen cover stopper [S].

NOTE: To enable the use of the ADF, access the SP mode and set SP No. 2 to "1". Refer to section 4.4.2.

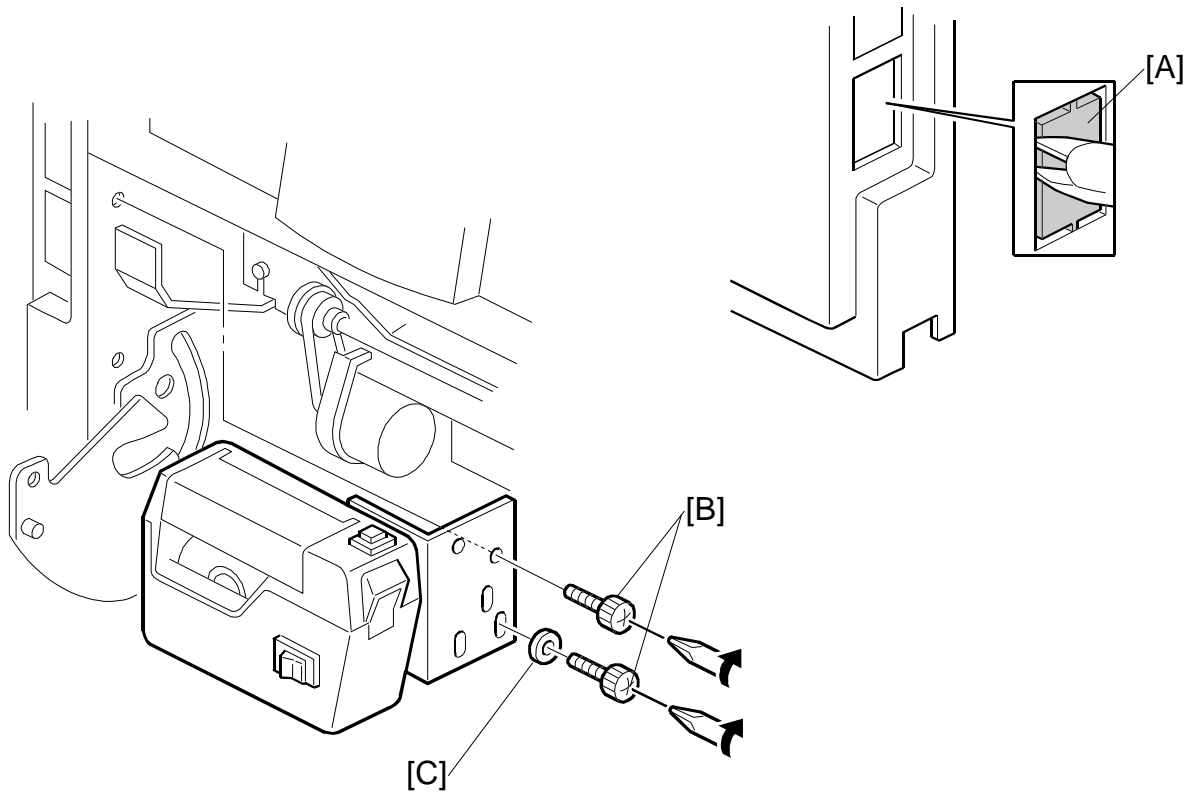
3.2.3 TAPE MARKER (OPTION)

Accessory Check

Check the quantity and condition of the accessories in the box against the following list:

1. Knob Screw (For models #C210, C217, C218, C219, C222, C223, C225, C228 and **C231** only) 2
2. Screw M4 x 25 (For models # C211, C212, C213, C214, C216, C224, and C226 only)..... 2
3. Hexagon Nut M4 (For models # C211, C212, C213, C214, C216, C224, and C226 only)..... 2
4. Auxiliary Bracket (For model # C226 only)..... 1
5. Screw M4 x 8 (For model # C226 only)..... 2
6. Lock Washer (For model # C226 only)..... 1
7. Lock Washer 1
8. Tape 1

Installation Procedure
- For C231 -

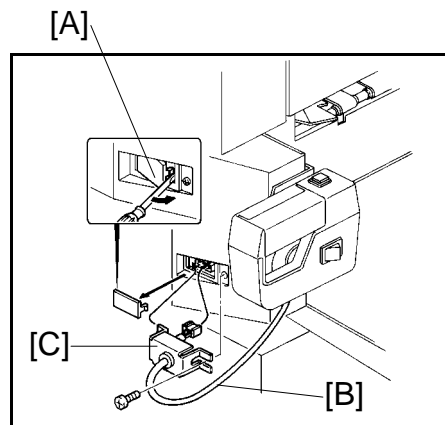


Installation

1. Turn off the main switch and unplug the power cord.
2. Remove the paper delivery table (2 screws).
3. Remove the paper delivery plate (4 screws).
4. Cut the cap [A] off the rear cover with pliers.
5. Remove the small cap in the rear cover of the main body. Then, connect the tape marker harness to the main body, and install the connector cover using one of the rear cover securing screws.
6. Install the tape marker on the main body with two knob screws [B] (accessories) in the two outside holes of the tape marker bracket. Install the lock washer [C] (accessory) with the lower of the two knob screws.
7. Reinstall the paper delivery plate and paper delivery table.

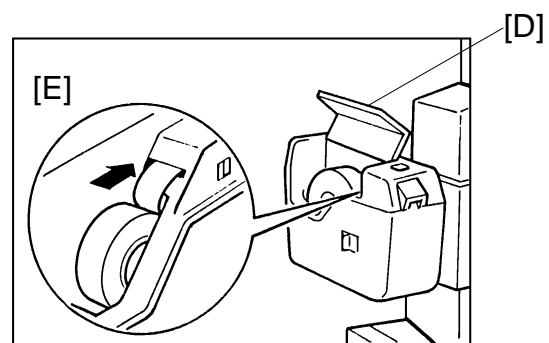
INSTALLATION PROCEDURE

8. Remove the small cap in the rear cover of the main body [A]. Then, connect the tape marker harness [B] to the main body, and install the connector cover [C] using one of the rear cover securing screws.



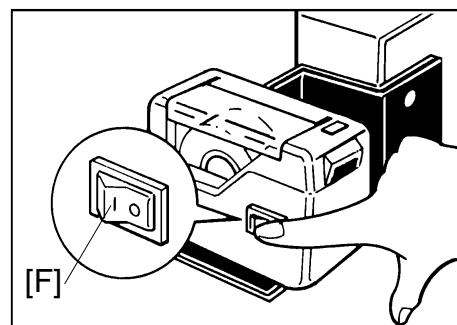
9. Open the tape marker cover [D]. Then, insert the leading edge of the tape into the tape entrance until it stops as shown in the illustration [E].

NOTE: Be sure that the tape is installed in the proper direction. If it is not, the tape marker will not work correctly.



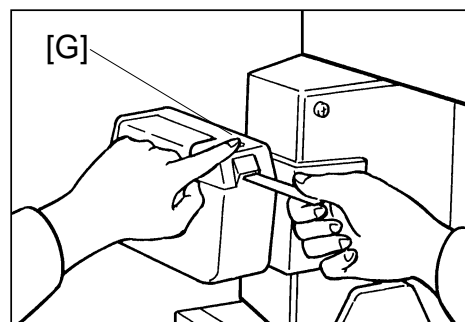
10. Turn on the main switch of the main body, access the SP mode and set SP No.5 to "1" to activate the tape marker. (Refer to the section 4.4.2.)

11. Turn on the tape marker switch [F].

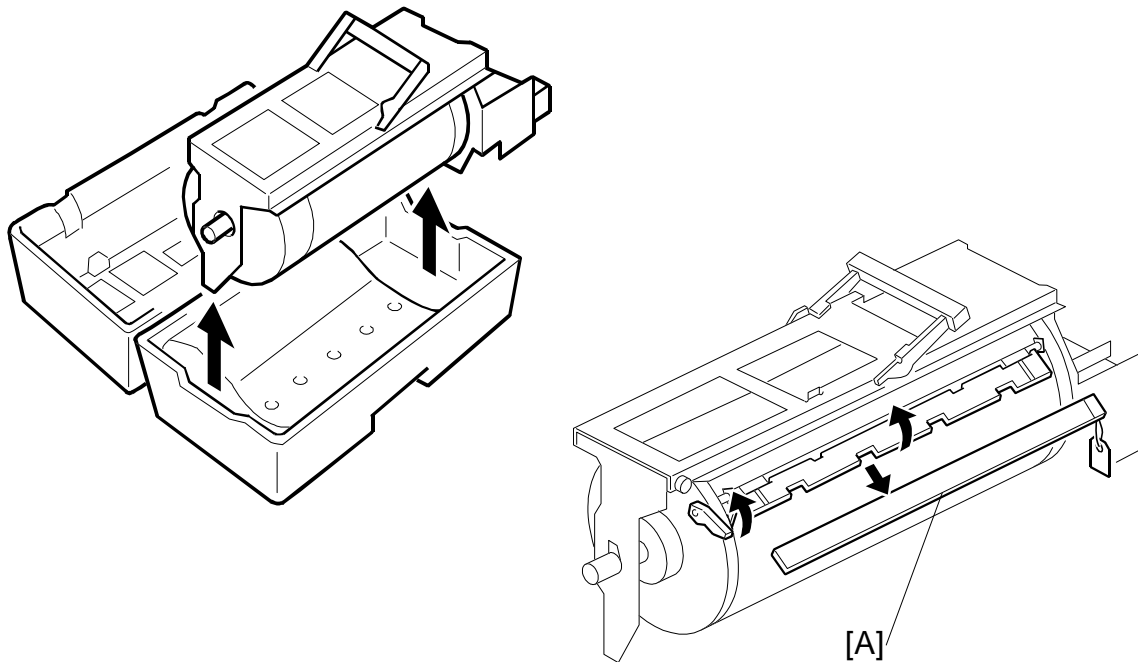


12. Press the tape cut button [G] to cut off the leading edge of the tape.

13. Check the tape marker operation using the Memory/Class modes of the main body.



3.2.4 COLOR DRUM (OPTION)



Installation

There are three types of color drum units:

- B4 Size: For the C231 B4 model
- Legal Size: For the C231 Legal model
- A4 Size: For the C231 A4 model

1. Remove the protective sheet [A] from the drum unit.
2. Remove the tape securing the ink holder.
3. Attach a color indicator decal to the drum case. The decal must be the same color as the ink in use.
4. Remove the drum unit.
 - a) Leave the master wrapped around the removed drum to protect the drum from dust and drying.
 - b) Keep the removed drum unit in the drum case.
5. Install the color drum unit.

The color drum indicator on the operation panel stays lit when a color drum is mounted in the machine.

6. Install the colored ink.
 - a) Remove the ink cartridge cap.
 - b) Insert the ink cartridge into the ink holder.
7. Cycle ink into the drum by pressing the “Economy Mode “ key while holding down the “0” key. The drum will turn 40 rotations to supply ink to the drum. Repeat step 7 if necessary.

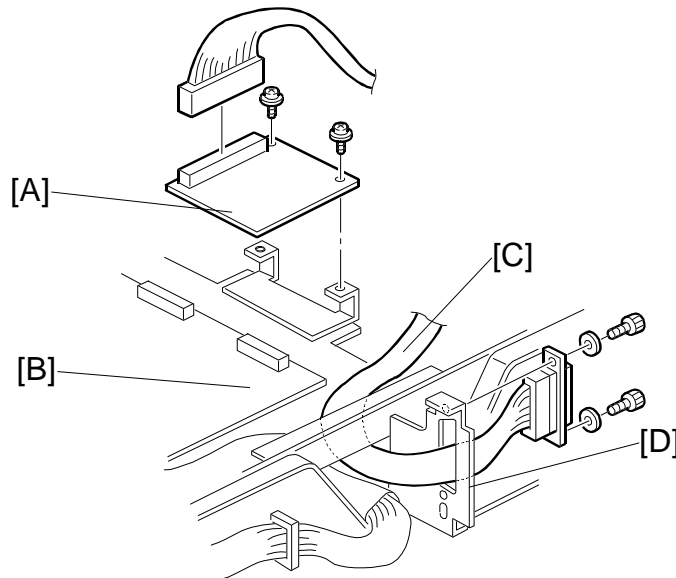
3.2.5 INTERFACE BOARD (OPTION)

Accessory Check

Check the quantity and condition of the accessories in the box against the following list:

- 1. Interface Board 1
- 2. Interface Harness..... 1
- 3. Screw M3 x 6 2
- 4. Lock Screws..... 2
- 5. Washer..... 2

Installation Procedure



- 1. Turn off the main switch and unplug the power cord.
- 2. Remove the upper rear cover.
- 3. Remove the MPU cover.
- 4. Connect CN102 of the interface board [A] to CN110 [B] of the MPU board and secure it using two screws.
- 5. Connect the harness [C] to CN101 of the interface board, and secure it to the connector bracket [D] using two lock screws and washers.
- 6. Remove the communications port cover plate from the upper rear cover.
- 7. Reinstall the MPU cover.
- 8. Reinstall the upper rear cover.

SERVICE TABLES

4. SERVICE TABLES

4.1 SERVICE REMARKS

4.1.1 MASTER FEED SECTION

1. Thermal Head Installation

When installing the thermal head, there are important remarks. See "6.5.2 Thermal Head Removal." Also, see "Remarks for Handling the Thermal Head" in "2.2.7 Thermal Head."

2. Thermal Head Voltage Adjustment

When replacing the thermal head, be sure to adjust the voltage supplied to the thermal head (See "6.5.3 Thermal Head Voltage Adjustment").

4.1.2 PAPER FEED SECTION

1. Friction Pad

When removing and reinstalling the friction pad base, be sure to install it in the correct orientation and position. (See "6.7.1 Paper Feed Roller, Pick-up Roller, and Friction Pad")

2. Paper Feed Roller and Pick-up Roller

Be careful to install the rollers the correct way around. Do not touch the surface of the roller with bare hands.

3. Paper Guide Plate Position for Registration Roller

Be sure to adjust the paper guide plate position once it is removed. (See "6.7.4 Registration Roller Clearance Adjustment.")

4.1.3 DRUM AND DRUM DRIVE SECTION

1. Main Motor

When the motor pulley has been removed from the motor and then reinstalled, be careful of the position of the pulley on the motor shaft. (See "6.9.8 Main Motor Pulley Position Adjustment")

2. Doctor Roller

Normally the doctor roller gap is not adjusted or changed. It tends to be difficult to adjust in the field. If the gap becomes narrower, an uneven image may appear on the prints. If it becomes wider, too much ink will be applied to the drum screens, resulting in ink leakage from the drum.

3. Drum Master Clamper

- 1) When installing the drum master clamper, be sure to position the two springs in the drum master clamper correctly.
- 2) Do not allow the inside of the clamping plate to become dirty with ink.
- 3) Do not use alcohol or other solvents to clean the inside of the clamping plate. Use a cloth dampened with water.

4. Ink Roller Unit

Do not disassemble the ink roller unit. Each part between the front and rear side plates of this unit has been precisely adjusted on the production line to keep the doctor and ink rollers parallel against the drum shaft.

5. Ink Pump

When the ink pump has been removed and reinstalled, be sure to adjust the plunger position. (See "6.9.6 Ink Pump Removal and Plunger Position Adjustment")
When removing the ink pump, do not lose the small metal valve. When reinstalling the pump, first set the valve on the joint side as shown, then install the ink pump on the two joints. (See "6.9.6 Ink Pump Removal and Plunger Position Adjustment")

4.1.4 PAPER DELIVERY SECTION

1. *Exit Pawl*

The exit pawl clearance adjustment must be done prior to the drive timing adjustment. Once this has been done then the drive timing adjustment must be performed (See "6.10.4 Exit Pawl Clearance Adjustment" and "6.10.5 Exit Pawl Drive Timing Adjustment").

4.1.5 ELECTRICAL COMPONENTS

1. *Main Processing Unit (MPU) 1*

After replacing the MPU, be sure to perform the following:

- 1) Vertical magnification adjustment (SP30, 36)
- 2) Side-to-side registration (SP31, 37)
- 3) Leading edge margin adjustment (SP33)
- 4) Leading edge registration adjustment (SP26, 38)
- 5) Correct drum type select (SP15)

If you use the backup RAM on the old MPU for new one, all data, including data in the SP mode, will be restored. You do not have to perform the above procedures.

See "6.3 MPU Replacement."

2. *Main Processing Unit (MPU) 2*

After replacing the MPU, also perform the following:

- 1) Ink detection adjustment
- 2) Master end sensor adjustment

See "6.3 MPU Replacement."

3. *Power Supply Unit*

When replacing the power supply unit, be sure to adjust the voltage supplied to the thermal head (See "6.5.3 Thermal Head Voltage Adjustment").

4. *Sensor Adjustments*

Adjustment is needed for the master end sensor. For details, see 6.5.4 Master End Sensor Adjustment.

TEST POINTS

4.2 DIP SW, LED, VR, TP, AND FUSE TABLES

4.2.1 TEST POINTS

MPU

No	Usage
TP101	CIS Sample Clock
TP102	Video Signal
TP103	GND-a
TP104	Scan Line Synchronizing Signal
TP105	Ink Detection Pulse (Standard Pulse)
TP106	Ink Detection Pulse
TP107	Not used
TP108	Master End Sensor Output Voltage
TP109	GND-a
TP110	-12V

4.2.2 POTENTIOMETERS

MPU

No	Usage
VR101	Ink Detection Adjustment
VR103	Master End Sensor Adjustment

Power Supply Unit

No	Usage
VR2	Thermal Head Voltage Adjustment

4.2.3 LED'S

MPU

LED #	OFF	ON
101	Low Ink Condition	Sufficient Ink Condition

4.2.4 FUSES

MPU

FUSE #	Rated Current	Voltage	Related Devices
101	1 A	24VDC	Paper Transport Motor
102	1 A	24VDC	Ink Pump Motor, Master Eject Motor

PSU

FUSE #	Rated Current	Voltage	Related Devices
501	10 A	120/230VAC	AC Line
502	5 A	24VDC	Paper Transport Motor, Paper Feed Clutch, Air Knife Fan Motor, Front/Rear Pressure Release Solenoid, Vacuum Fan Motor
503	5 A	24VDC	Ink Pump Motor, Master Eject Motor, Optional Key Counter, Master Counter, Paper Counter, Contact Image Sensor
504	6.3 A	24VDC	Main Motor Control Board
505	5 A	24VDC	Optional Tape Dispenser

4.3 SERVICE CALL CODES

No.	Description/Definition	Points to Check
E-00	<p><i>Clamper Motor Failure</i> The MPU cannot detect the master clamper position sensor signal (open or closed) within 1.2 seconds after the clamper motor turns on.</p>	<ul style="list-style-type: none"> * Mechanical interference with the clamper drive * Master clamper sensors * Clamper motor * Clamper drive mechanism
E-01	<p><i>Cutter Failure</i></p> <ul style="list-style-type: none"> • The cutter HP sensor does not turn on within 3 seconds after the cutter motor turns on. • If the master is not cut at the end of the master making. The drum master detection sensor is used to check if the black cover at the trailing part of the drum cloth screen is covered by the master just before the drum returns the home position. In this case, the SC is cleared once the power is off. 	<ul style="list-style-type: none"> * Master cut error occurred * Cutter switch * Cutter motor * Cutter drive mechanism
E-02	<p><i>Paper Table Drive Failure</i> The paper height sensor or the table lower limit sensor does not turn on within 7 seconds after the table drive motor turns on.</p>	<ul style="list-style-type: none"> * Paper table drive motor * Paper height sensor or table lower limit sensor * Mechanical interference with the paper table drive
E-04	<p><i>Thermal Head Overheat</i> Temperature of the thermal head is greater than 54°C when the Start key is pressed.</p>	<ul style="list-style-type: none"> * Thermal head * Thermistor of the thermal head (short circuit) * Wait for the thermal head to cool down
E-06	<p><i>Main Motor Lock</i> The CPU cannot detect the feed start timing sensor signal within 2 seconds after the main motor turns on, or the sensor remains on for more than 0.5 seconds.</p>	<ul style="list-style-type: none"> * Main motor * Power to the main motor * Feed start timing sensor * Mechanical interference with the drum drive
E-09	<p><i>Thermal Head Thermistor Open</i> The thermistor output voltage (CN109-A1) is over 4.9 volts.</p>	<ul style="list-style-type: none"> * Thermal head thermistor * Thermal head connector
E-10	<p><i>Thermal Head Drive Failure</i> The CPU detects an abnormal condition in the thermal head drive circuit.</p>	<ul style="list-style-type: none"> * Thermal head * MPU * Thermal head connector and harness
E-12	<p><i>Pressure Plate Motor Failure</i> The pressure plate home position sensor signal is not detected within 4 seconds after the pressure plate motor turns on.</p>	<ul style="list-style-type: none"> * Mechanical interference with the pressure plate drive * Pressure plate motor * Pressure plate HP sensor

No.	Description/Definition	Points to Check
E-13	<p><i>Scanner Malfunction</i></p> <ul style="list-style-type: none"> • The scanner HP sensor does not turn on after the scanner motor moves for more than 7 seconds back to the home position after scanning. • The scanner cannot leave the home position within 4 seconds of power on. • When the scanner cannot return to the home position within 2 seconds of leaving. 	<ul style="list-style-type: none"> * Mechanical interference with the scanner * Defective scanner HP sensor
E-14	<p><i>IPU error</i></p> <p>Signal transmission error (from the IPU) occurred in the MPU.</p>	<ul style="list-style-type: none"> * MPU

4.4 SERVICE PROGRAM MODE

The service program (SP) mode is used to check electrical data, change modes, or change adjustment values.

4.4.1 ACCESS PROCEDURE

Service Program Mode Access Procedure (For Engineers)

All service program modes can be accessed with the following procedures.

1. Press the following keys on the operation panel in the following order:

- Method 1 -

Clear Modes ⇒ **1** ⇒ **0** ⇒ **7** ⇒ **Clear/Stop**

*: Hold down the Clear/Stop key for more than 3 seconds.

- Method 2 -

Clear Modes ⇒ **Clear/Stop** ⇒ **Economy** ⇒ **Enter (#)**

*: For the China machine, use the Combine 2 Original key, instead of the Economy key.

- Method 3 -

Turn on the main switch while holding the **Start, Clear/Stop, and Enter (#)** keys simultaneously.

NOTE: Method 3 is a special way to enter SP mode that differs from the other two methods. For example, when a service call indicator (E-xx) is displayed at power on, SP mode can only be accessed by Method 3.

After you enter SP mode with Method 3, you can leave it by turning the main switch off then on again.

2. The following is displayed on the LCD when the SP mode is accessed.

SP-MODE PROGRAM No. 0

- Using the **number keys**, enter the desired SP mode number (listed in the service program table), then press the **Enter (#) key**.

NOTE: The SP mode number can be shifted up or down by pressing the **Select Size And Direction ("^" or "v") keys**.

- Follow the "Change Adjustment Values or Modes" procedure on page 4-10.

NOTE: To cancel SP mode, press the **Clear Modes key**. To shift to another SP mode number, press the Enter (#) key again to return to the display in step 2. Enter the desired SP mode number.

After you enter SP mode with Method 3, you can leave it by turning the main switch off then on again.

Service Program Mode Access Procedure (For Users)

This procedure allows users to access only the service program modes that are marked with an asterisk in the service program table.

- Press the following keys on the operation panel in the following order:

- Method 1 -

Clear Modes ⇒ Clear/Stop

*: Hold down the Clear/Stop key for more than 3 seconds.

- Method 2 -

Clear Modes ⇒ Clear/Stop ⇒ Enter (#)

- The following is displayed on the LCD.

SP-MODE PROGRAM No. 0

- Using the **number keys**, enter the desired SP mode number (listed in the service program table), then press the **Enter (#) key**.
- Do the following procedure ('Change Adjustment Values or Modes'). To cancel the SP mode, press the **Clear Modes key**.

ACCESS PROCEDURE

Change Adjustment Values or Modes

1. After entering the desired SP mode number and pressing the **Enter (#)key**, the current value or mode will be displayed on the LCD (at the end of the second line).
2. Enter the desired value or mode using the **number keys** (listed in the service program table).

NOTE: Use the **Memory/ Class key** to toggle between + and -.

3. Press the **Enter (#) key** to store the desired value or mode.
4. To cancel the SP mode, press the **Clear Modes key**.

4.4.2 SERVICE PROGRAM TABLE

*: Accessible by a customer

No.	Display	Function	Settings	Factory Setting	Comments
1		This SP number was used to enable the On-line key for some other models. On this model, the On-line key is enabled automatically when the optional PC controller is connected, SP number 1 is not used.			
2	ADF Unit	Enables ADF operation.	0: No 1: Yes	0	
3	Key Counter	Enables key counter operation.	0: No 1: Yes	0	
4	Key Card	Used only in Japan.	0: No 1: Yes	0	
*5	Tape Marker Off	Disables tape marker operation.	0: No (Use the tape marker) 1: Yes	0	
*10.	Min. Print	Limits the minimum print quantity that can be entered.	0 to 9999	0	
*11	Max. Print	Limits the maximum print quantity that can be entered.	0 to 9999	9999	
*12	Set Display Mode	Selects the language used on the display. 0: Japanese 1: English 2: German 3: French 4: Italian 5: Spanish 6: Chinese 7: Dutch 8: Brazilian	0 to 8	1	
*13	Set Size Mode	Selects the metric size (mm) or inch size on the display.	0: mm 1: Inch	-	
14	Set Operation Panel	Selects the expression type on display that matches the machine.	0:JPN/CHN 1:OTHER	-	Never change the setting.
15	Set Drum Size	Selects the drum size that matches the machine. NOTE: This function is for production line use only.	0:B4 1:A4 2:LG	-	Never change the setting.
16	LCD Contrast Adjust	Changes the LCD contrast.	17 to 24	21	

SERVICE PROGRAM TABLE

No.	Display	Function	Settings	Factory Setting	Comments
17	Set Combine Key	Enables the Combine 2 Original mode. The blank key at the upper left corner under the top left cover on the operation panel is used as the mode key.	0: No 1: Yes	0	<ul style="list-style-type: none"> • Except for the China version model. • SP14 must be set at 0.
*20	Buzzer On	Turns the beeper on.	0: No 1: Yes	0	
*21	Prints/Master Cost	Adjusts the cost ratio of masters to prints for accounting purposes. (When SP4 is set at 1, This function cannot be used.)	0 to 50	0	The set number (0 to 50) is automatically added to the key counter each time a master is used.
22	Home Position Adjust	The drum home position (the master eject position) changes.	0 to 9	5	Never change the setting.
23	Plot Position Adjust	The drum stop position for the master making changes.	0 to 9	5	Never change the setting.
*25	Clear 2 In 1	Selects whether to reset the Combine 2 Original mode automatically after master making.	0: No 1: Yes	0	
26	Feed Timing Adjust	Adjusts the registration motor on timing for better paper registration.	0 to 7	3	
27	ADF Current Down	Lowers the current to the ADF motor.	0: No 1: Yes	0	If the ADF motor vibrates due to a part variation causing noise, reduce the motor current with this mode.
28	Paste Shadow Erase	Adjusts the Paste Shadow Erase level that can be set with the key on the operation panel. The shadows of pasted-up edges on originals lighten.	0: Standard 1: Light 2: Lighter	0	
*29	Pht Background Correct	Determines whether the original background correction is done in Photo mode.	0: Correction is not done. 1: Correction is done.	0	

SERVICE PROGRAM TABLE

No.	Display	Function	Settings	Factory Setting	Comments
30	Sub Scan Mag. Adjust	Adjusts the sub-scan magnification.	-1.9 to +1.9%		<ul style="list-style-type: none"> For the platen mode 0.1% steps Use the Memory/Class key for "+" or "-"
31	SCN Center Adjust	Adjusts the center position of copies in the platen mode.	-1.9 to +1.9 mm	0	<ul style="list-style-type: none"> For the platen mode 0.1 mm steps Use the Memory/Class key for "+" or "-" See Remark 1
32	SCN Line Adjust	Adjusts the position of the scanner (CIS) in the ADF mode. If images cannot be scanned in the ADF mode, adjust the position. If the value is changed, also perform SP38.	-1.9 to +1.9%		<ul style="list-style-type: none"> This is for the production use only. 0.1% steps Use the Memory/Class key for "+" or "-"
33	Lead Edge Adjust	Adjusts the lead edge margin.	4 to 10 mm	5	
34	Head Energy Adjust (Normal)	Adjusts the thermal head energy for the normal mode.	0 to -99%		
35	Economy Head Energy Adjust	Adjusts the thermal head energy for the Economy mode.	0 to -99%	(-10)	
36	ADF Mag. Adjust	Adjusts the ADF sub-scan magnification.	-1.9 to +1.9%	(0)	<ul style="list-style-type: none"> For the ADF mode 0.1% steps Use the Memory/Class key for "+" or "-"
37	ADF Center Adjust	Adjusts the center position of copies in the ADF mode.	-1.9 to +1.9 mm	0	<ul style="list-style-type: none"> For the ADF mode 0.1 mm steps Use the Memory/Class key for "+" or "-" See Remark 1

Service Tables

SERVICE PROGRAM TABLE

No.	Display	Function	Settings	Factory Setting	Comments
38	ADF Scan Line Adjust	Adjusts the ADF scanning start position.	-4.9 to 4.9 mm	(0)	<ul style="list-style-type: none"> • 0.1 mm steps. • Use the Memory/Class key for "+" or "-". • See Remark 2
39	Trail Edge Adjust	Adjusts the blank margin at the trailing edge of prints.	0 to 3 mm	0	1 mm steps.
*40	Original	Specifies the image mode at power-up.	0: Letter 1: Lt/Photo 2: Photo	0	
*41	Image Density	Specifies the image density at power-up.	0: Light 1: Standard 2: Dark 3: Darker	1	
*42	Print Speed	Specifies the printing speed at power-up.	1: 80 rpm 2: 100 rpm 3: 120 rpm	2	
*43	Auto Cycle Mode	Specifies whether Auto Cycle mode is selected at power-up.	0: No 1: Yes	1	
*45	Std. Image Position	Specifies the image position at power-up.	40: +10mm 20: 0 mm 0: -10 mm	20	
52	Compress With Start Key	Compressing the ejected masters is done every time the Start key is pressed for the master making.	0: No 1: Yes	0	See Remark 3
60	Clear All Memory	Returns all SP modes to the default settings.	0: No 1: Yes	0	The memory is cleared after pressing the Enter (#) key.
61	Clear Memory/ Except Adj.	Returns all SP modes to the default settings except for Adjustments.	0: No 1: Yes	0	The memory is cleared after pressing the Enter (#) key.
70	Original Feed Jam (A)	Displays the total number of original jams.		0	
71	Paper Feed Jam (B)	Displays the total number of paper feed jams.		0	
72	Paper Wrap Jam (E/BE)	Displays the total number of times that paper has accidentally wrapped around the drum.		0	

SERVICE PROGRAM TABLE

No.	Display	Function	Settings	Factory Setting	Comments
73	Paper Delivery Jam (G)	Displays the total number of paper delivery jams.		0	
74	Master Feed Jam (C)	Displays the total number of master feed jams.		0	
75	Master Delivery Jam (F)	Displays the total number of master delivery jams.		0	
76	Clear Jam Counters	Clears all jam counters.	0: No 1: Yes	0	The memory is cleared after pressing the Enter (#) key.
*81	Quality Start No.	Specifies how many prints are made with the lowest drum rotation speed (30 rpm) to stabilize image density for the beginning prints after a new master is made.	0 to 3 sheets	0	This mode is to ensure that the first print has sufficient ink density even if the machine was not used for a long.
*82	Skip Feed No.	Specifies how many prints are skipped between prints in the skip feed mode.	1 to 9	2	"1" means no skip.
*84	Auto Multi Copy	Specifies the initial mode for the Combine 2 Originals mode.	0: No 1: Yes (Two identical images are made if the Master Making key is pressed once.)	0	
85	Initial Compression	Specifies whether full master box detection is made at power-up. Compressing the ejected masters is done.	0: No 1: Yes	0	See Remark 3
*87	Memory Print	Specifies the printing operation when in Memory mode.	0: Memory 1: Stack	0	See Remark 4
*88	Auto Memory/Class	Specifies whether the Memory/Class mode is used.	0: No 1: Yes	0	See Remark 5
90	Thermal Head Test	Select "1" to carry out the thermal head test.	0: Off 1: On	0	See the Test Pattern Image Mode, section 4.5

Service Tables

SERVICE PROGRAM TABLE

No.	Display	Function	Settings	Factory Setting	Comments
95	Scanner Free Run	Carries out a scanner free run test.	Start with the Print Start key. Stop with the Stop key.	0	
96	ADF Original Feed	Carries out an ADF original feed test.	Start with the Print Start key. Stop with the Stop key.		
98	Economy Count	Displays the total number of masters made in Economy mode.		0	
103	Margin Erase Count	Displays the total number of masters made with the Margin Erase key.		0	
104	On line Count	Displays the total number of masters made in On Line mode.		0	
105	Overlay Count	Displays the total number of masters made in Overlay mode.		0	
106	Enlarge Count	Displays the total number of masters made in Fixed Enlargement mode.		0	
107	Reduction Count	Displays the total number of masters made in Fixed Reduction mode.		0	
111	Total Count	Displays the total number of masters and prints.		0	M: Master count P: Print count
*113	Resetable Count	Used by the customer to display the total number of masters and prints.		0	M: Master count P: Print count
*114	CLR Resetable Count	Clears the resetable total master/print counters.	0: No 1: Yes	0	
115	ADF Mode Count	Displays the total number of sheets fed in the ADF mode.		0	
116	Scanner Mode Count	Displays the total number of originals set in platen mode.		0	
117	Color Drum Count	Displays the total number of prints made using the color drum.		0	
119	CLR All Total Count	Clears the following counters: SP Nos. 111, 115, 116, and 117.	0: No 1: Yes		

SERVICE PROGRAM TABLE

No.	Display	Function	Settings	Factory Setting	Comments
*120 -1	User Code Mode	Selects user code mode.	0: No 1: Yes		See the user code mode section.
-2	Auto Reset Time	Selects the auto reset time.	0: Unlimited 1: 1 min. 2: 2 min. 3: 3 min. 4: 4 min. 5: 5 min.	0	Displays only when "Yes" is selected in SP120-1.
*121	UC Count	Displays the total number of masters and prints made with each user code.		0	Press the # key to shift to another user code.
*122	Clear UC Count	Clears the selected user code counter.	0: No 1: Yes	0	Same as above.
*123	Total UC Count	Displays the total number of masters and prints for up to 20 user codes.		0	
*124	Clear Total UC Count	Clears the total user code counter.	0: No 1: Yes	0	
130	Input Check Mode	Displays the inputs from sensors and switches.			See the input check table.
131	Output Check Mode	Turns on the electrical components.			See the output check table.
132	All Indicators ON	Turns on all the indicators on the operation panel.			Press the # key to light all the indicators.
135	SN: Master End	Displays the master end sensor voltage.			Unit: Volts
140	Ink Detection	Specifies whether ink detection is done.	0: No 1: Yes	1	
141	Paper Detection	Specifies whether paper end detection is done.	0: No 1: Yes	1	
142	Master End Detection	Specifies whether master end detection is done.	0: No 1: Yes	1	
146	ADF Cover Detection	This mode disables the ADF cover switch.	0: No 1: Yes	1	This function is valid only when SP2 is set at "1".
147	ADF Set Detection	This mode disables the platen cover sensor detection.	0: No 1: Yes	1	If "0" is selected, "Set the original" is displayed each time at master making.
150	Control ROM No.	Displays the ROM part number and the ROM manufacturing date.		P/No.	YYYY/MM/DD

Service Tables

SERVICE PROGRAM TABLE

No.	Display	Function	Settings	Factory Setting	Comments
151	Machine No.	Displays the machine serial number and the installation date.		0	Input the serial number and the installation date.
152	Service Tel. No.	Input the service representative's telephone number, which is displayed with the service call code.		0	<ul style="list-style-type: none"> • Use the number keys to input the telephone number at installation. • Press the Memory/Class key if you wish to add a hyphen between the digits.
153	Last Service Code	Displays the last service call.		0	
*160	Side Ers.	Adjusts the default side edge margin width in the Margin Erase mode.	2 to 20 mm or 0.1 to 0.8 inch	5 mm or 0.2"	
*161	Center Ers.	Adjusts the default center margin width in the Margin Erase mode.	4 to 60 mm or 0.2 to 2.3 inch	10 mm or 0.4"	
*162	Horizontal Ers.	Adjusts the default horizontal edge (top and bottom) margin in the Margin Erase mode.	2 to 20 mm or 0.1 to 0.8 inch	5 mm or 0.2"	
*170	ERS. **1	Enter the original size (in "mm") that you want to use with the Margin Erase mode.	(100 to 258) x (100 to 364) mm or (4.0 to 10.0) x (4.0 to 14.3) inch	0 x 0	The original size entered is displayed by pressing the Select Size And Direction ("^" or "v") keys when in the Margin Erase mode.
*171	ERS. **2	Enter the original size (in "mm") that you want to use with the Margin Erase mode.	(100 to 258) x (100 to 364) mm or (4.0 to 10.0) x (4.0 to 14.3) inch	0 x 0	Same as above

SERVICE PROGRAM TABLE

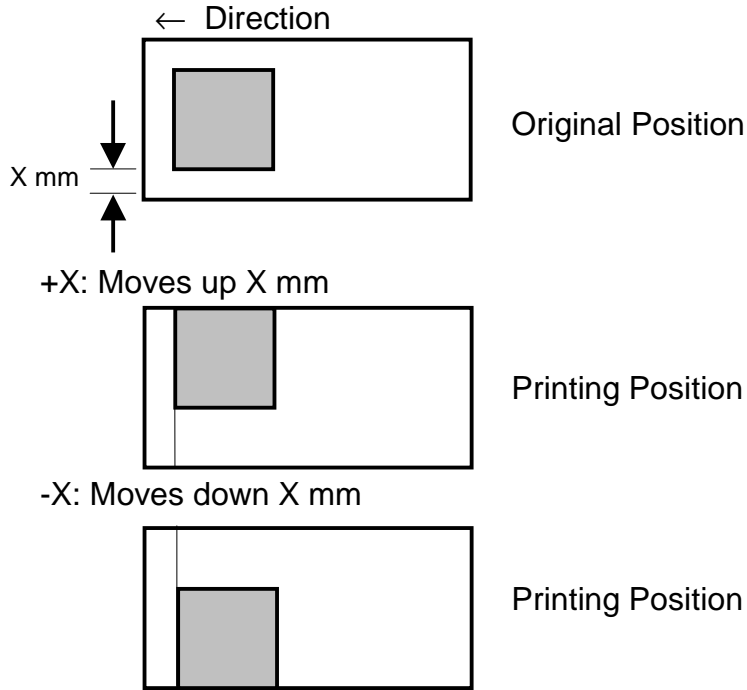
No.	Display	Function	Settings	Factory Setting	Comments
*172	ERS. **3	Enter the original size (in "mm") that you want to use with the Margin Erase mode.	(100 to 258) x (100 to 364) mm or (4.0 to 10.0) x (4.0 to 14.3) inch	0 x 0	Same as above

SERVICE PROGRAM TABLE

Remarks

1. SP Mode No. 31 and 37 - SCN/ADF Center Adjust

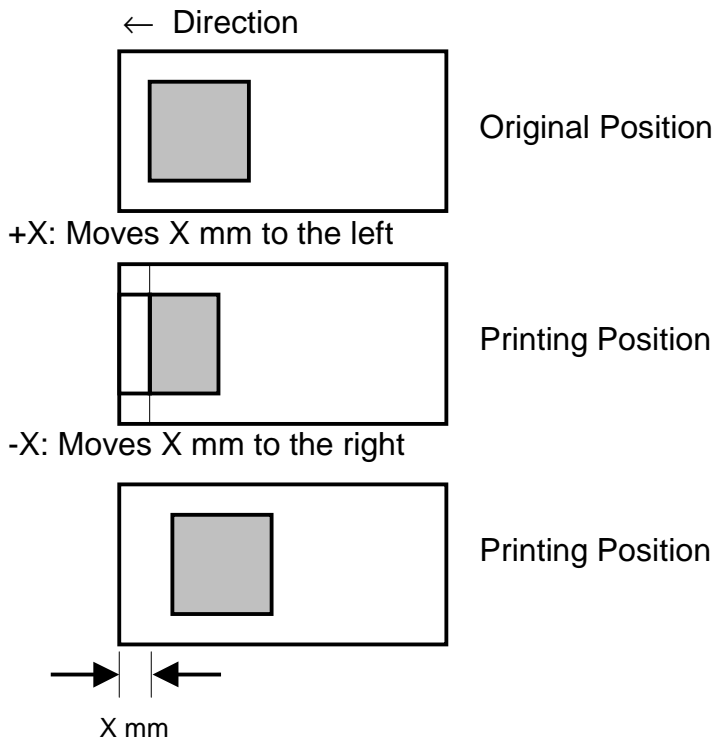
The printing position moves as shown below.



NOTE: When adjusting the scanner image position, input "0" first:
Example) $X = 0.9 \text{ mm} \rightarrow$ "0", "9", then press the # key.

2. SP Mode No. 38 - ADF Scan Line Adjust

The printing position moves as shown below.



3. SP Mode No. 52 - Compress With Start Key, SP Mode No. 85 - Initial Compression

These modes eliminate the possible causes of master eject jams. If the operator continues to make masters even after the master eject box becomes full, the ejected masters will interfere with the movement of the pressure plate, causing another master eject jam.

When these modes are selected, the full master box detection, with the master compressing operation, is carried out each time the machine is switched on (SP85) or the Start key is pressed to make a new master (SP52). Selecting SP52 affects the master processing time, so this is not enabled as the default. SP85 is enabled as the default.

SERVICE PROGRAM TABLE

4. SP Mode No. 87 - Memory Print

Normally, in Platen mode (when no originals are placed in the ADF) in combination with Memory mode, the machine stops when the 1st print job is finished even if the tape marker is installed, so that the next original can be placed on the exposure glass. The next printing job (with the number of prints that has been set with Memory mode for the next original) starts when the Start key is pressed.

If "1" (Stack) is selected in this SP mode, after the 1st print job is finished, the next print job starts immediately afterwards. (The tape marker feeds a strip of tape to separate the jobs if it is used.)

In Platen mode in combination with Memory mode, the machine can print continuously depending on the numbers set with Memory mode for each print set, without replacing the original.

5. SP Mode No. 88 - Auto Memory/Class

In Memory/Class mode, the machine normally stops when the first print job is finished if the tape marker is not installed.

If "1" is selected in this mode, the machine stops for a while (this interval is the same as when the tape marker is operating). Then it continues with the next print (or master making) job.

4.4.3 INPUT/OUTPUT CHECK MODE

This program checks the electrical components.

Input/Output Check Mode Access Procedure

1. Access the SP mode. (See the SP mode access procedure.)
2. Enter 130 (for the Input Check mode) or 131 (for the Output Check mode) with the **number keys**.
3. Press the Enter (#) key.
4. Enter the desired number. (See the Input or Output Check Table.)

NOTE: The number can be shifted up or down by pressing the **Select Size And Direction ("^" or "v") keys**.

5. Press the **Enter (#) key**.

NOTE: In the input check mode, all printing speed LEDs turn on when the sensor or switch that is being tested is actuated. A beep will also be heard.

6. For the Output Check mode, press the **Start key** to turn on the component.
7. Press the **Enter (#) key** to return the display to the initial input or output check menu.
8. Press the **Clear Modes key** to leave the SP mode.

INPUT/OUTPUT CHECK MODE

Input Check Table

Code	LCD Display	Component Checked
1.	SN: ADF Cover In- 1	ADF Cover Switch
2.	SN: 1st Original (ADF) In- 2	Document Sensor
3.	SN: 2nd Original (ADF) In- 3	Scan Line Sensor
18.	SN: Paper End In-18	Paper End Sensor
20.	SN: Paper Table Low Limit In-20	Table Lower Limit Sensor
21.	SN: Paper Height In-21	Paper Height Sensor
22.	KEY: Table Down In-22	Paper Table Lowering Switch
26.	SN: Master End In-26	Master End Sensor
27.	SIG: Ink In-27	When the Ink Detecting Pin detects ink
31.	SN: Pressure Plate Home Position In-31	Pressure Plate Home Position Sensor
32.	SN: Pressure Plate Limit Position In-32	Pressure Plate Limit Sensor
33.	SW: Master Eject Box In-33	Eject Box Set Sensor
39	SIG: Key Counter In-39	When a key counter is installed
42	SN: Paper Exit In-42	Paper Exit Sensor
43	SN: Master Eject In-43	Master Eject Sensor
44	SN: Drum Master In-44	Drum Master Sensor
45	SN: Scanner Home Position In-45	Scanner Home Position Sensor
47	SN: Platen Set In-47	Platen Cover Sensor
51	SW: Plotter Cover In-51	Master Making Unit Cover Safety Switch
52	SW: Cover Open In-52	Door Safety Switch Scanner Unit Safety Switch

INPUT/OUTPUT CHECK MODE

Code	LCD Display	Component Checked
53	SN: Cutter Home Position In-53	Cutter Home Position Sensor
54	SN: Master Set Cover In-54	Master Set Cover Sensor
56	SN: Feed Start Timing In-56	Feed Start Timing Sensor
57	SN: 2nd Feed Timing In-57	2nd Feed Timing Sensor
58	SN: Paper Exit Timing In-58	Paper Exit Timing Sensor
59	SN: Master Eject Position In-59	Master Eject Position Sensor
62	SN: Drum Set In-62	When the drum connector is connected
65	SN: Clamper Close In-65	Clamper Close Sensor
66	SN: Clamper Open In-66	Clamper Open Sensor
68	SN: Registration In-68	Paper Registration Sensor

Service
Tables

INPUT/OUTPUT CHECK MODE

Output Check Table

Code	LCD Display	Description
3	MOTOR: Master Eject Out- 3	Turns on the master eject motor.
6	MOTOR: Vacuum Out- 6	Turns on the vacuum fan motor.
7	MOTOR: Air Knife Out- 7	Turns on the air knife fan motor.
8	SIG: Key Counter Out- 8	Increments the key counter.
9	COUNTER: Master Out- 9	Increments the master counter.
10	COUNTER: Paper Out-10	Increments the paper counter.
12	MOTOR: Ink Supply Out-12	Turns on the ink pump motor.
14	SOL: Print Pressure Out-14	Turns on the pressure release solenoids. At the same time, it turns on the paper transport motor.
18	MOTOR: Paper Table Down Out-18	Turns on the paper table motor (down).
19	MOTOR: Paper Table Up Out-19	Turns on the paper table motor (up).
21	SIG: Fluorescent Lamp Out-21	Turns on the xenon lamp.
22	MOTOR: Cutter + Direction Out-22	Turns on the cutter motor.
23	MOTOR: Cutter Home Out-23	Turns on the cutter motor and moves the cutter to the home position.
27	MOTOR: Drum Home Stop Out-27	Turns on the main motor and moves the drum to the home position.
28	MOTOR: Drum Plot Stop Out-28	Turns on the main motor and moves the drum to the master making position.
33	MOTOR: Original Feed Out-33	Turns on the ADF motor.
34	MOTOR: Master Feed High Speed Out-34	Turns on the master feed motor at high speed.
35	MOTOR: Master Feed Low Speed Out-35	Turns on the master feed motor at low speed.

INPUT/OUTPUT CHECK MODE

Code	LCD Display	Description
36	MOTOR: Master Feed Normal Speed Out-36	Turns on the master feed motor at normal speed.
37	MOTOR: Scanner Out-37	Turns on the scanner motor. The scanner moves to the original scanning position for ADF mode when the Start key is pressed. It returns to home position when the Start key is pressed again.
41	SIG: VHD on Out-41	Applies thermal head voltage. Power is applied by pressing the Start key. It is stopped by pressing the Clear/Stop key.
42	MC: Paper Feed Out-42	Turns on the paper feed clutch.
43	MOTOR: Paper Delivery Out-43	Turns on the paper transport motor while the Start key is pressed.
44	MOTOR: Clamper Close Out-44	Turns on the clamper motor and moves to the clamper close position.
45	MOTOR: Clamper Open Out-45	Turns on the clamper motor and moves to the clamper open position.
46	MOTOR: Pressure Plate ON Out-46	Turns on the pressure plate motor and moves the plate to the lower limit position.
47	MOTOR: Pressure Plate OFF Out-47	Turns on the pressure plate motor and moves the plate to the home position.

Service
Tables

4.5 TEST PATTERN IMAGE MODE

This function is used to determine which printer component is causing an image quality problem on the master.

In this mode, the background pattern that is printed covers the entire sheet of paper.

- Procedure -

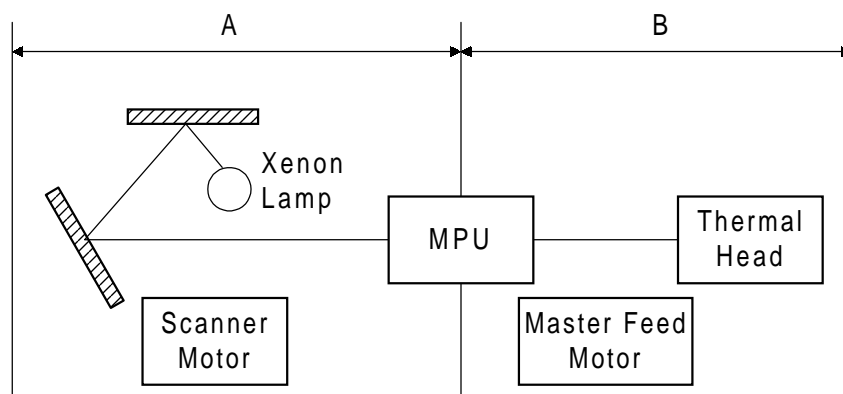
1. Place paper on the paper table.
NOTE: To reduce thermal head load, use the smallest paper size possible, i.e. the smallest paper width on which the part with the image problem can be printed.
2. Access SP mode.
3. Input **SP number 90** and enter "1". Then, press the **Enter (#) key**.
4. Press the **Clear Modes key** to leave the SP mode.
5. Carry out the master making process (an original is not necessary).
6. Make some prints and check the image.

NOTE: The SP mode number 90 setting returns to the default (0) after the above procedure.

- Assessment -

If the printout is normal, a Part A component is defective.

If the printout is abnormal, a Part B component is defective.



4.6 USER CODE MODE

With the user code function (SP mode number 120), operators must input an authorized code before the machine will operate. The machine keeps track of the number of prints made under each code.

There are 20 user codes as follows:

No.	User Code No.
1	382
2	191
3	182
4	173
5	164
6	155
7	146
8	137
9	128
10	119
11	482
12	291
13	282
14	273
15	264
16	255
17	246
18	237
19	228
20	219

- How to use a user code -

1. Enter the user code (3 digits) with the **number keys**.
2. Press the **Enter (#) key**.
3. Press the **Start key** to start printing.

NOTE: The user code is reset if the **Clear Modes key** and the **Clear/Stop key** are pressed together. The user then has to input a user code to use the machine.

PREVENTIVE MAINTENANCE

5. PREVENTIVE MAINTENANCE

5.1 MAINTENANCE TABLE

The following items should be maintained periodically. There are two sets of intervals - one based on time and the other based on print count. For maintenance items with entries in both of them, use whichever comes first.

C: Clean, R: Replace, L: Lubricate, A: Adjust

Item	Interval	Time				Print Counter					EM	NOTE
		6M	1Y	2Y	3Y	300K	600K	1M	1.2M	2M		
Scanner/Optics												
Exposure Lamp		C	C	C	C							Dry Cloth
Mirror/Reflector		C	C	C	C							Soft Cloth
Platen Cover / White Plate		C	C	C	C							Damp Cloth
Exposure Glass		C	C	C	C							Dry Cloth
Master Feed												
Thermal Head											C	Alcohol
Platen Roller Expected life: 6K masters		C	C	C	R							Damp cloth and water
Master Eject Rollers		C	C	C	C							Alcohol
Drum Master Sensor											C	Dry Cloth
Paper Feed												
Paper Pick-up Roller		C	R	R	R		R		R			Damp Cloth
Paper Feed Roller		C	R	R	R		R		R			Damp Cloth
Friction Pad		C	R	R	R		R		R			Damp Cloth
Press Roller		C	C	R	C				R			Alcohol
Paper Feed Clutch										R		
Feed Roller and Transport Belt Roller Bushings			L	L	L							Motor Oil (SAE #20)
Feed Drive Gears			L	L	L							Grease (Alvania #2)
Paper Delivery Transport Belts				R					R			
Paper End Sensor		C	C	C	C							Dry Cloth
Registration/Exit Sensors		C	C	C	C							Dry Cloth
Registration Roller		C	C	C	C							Dry Cloth

Preventive
Maintenance

MAINTENANCE TABLE

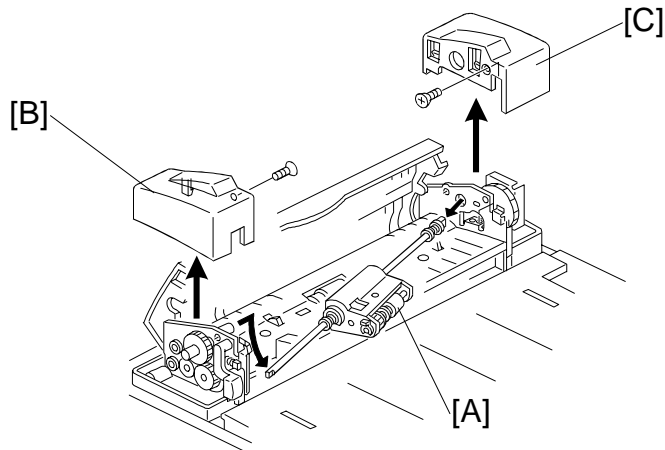
Item	Interval	Time				Print Counter					EM	NOTE
		6M	1Y	2Y	3Y	300K	600K	1M	1.2M	2M		
Drum and Ink Supply												
Cloth Screen			R						R			
Drum Drive Gears and Cam		L	L	L								Grease (Alvania #2)
Drum Flange Bushing		L	L	L								Motor Oil (SAE #20)
In/Outside of Drum	C	C	C	C								Alcohol
Ink Nozzle	C	C	C	C								Alcohol
Others												
Main Drive Timing Belt Tension			A									
Press Roller Release Lever Position			A									
ADF (Option)												
DF Pick-up, Reverse, Feed Rollers	C	C	C	C								Dry Cloth
DF R1, R2, R3 Rollers	C	C	C	C								Dry Cloth

REPLACEMENT AND ADJUSTMENT

6. REPLACEMENT AND ADJUSTMENT

6.1 EXTERIOR COVER REMOVAL

6.1.1 ADF

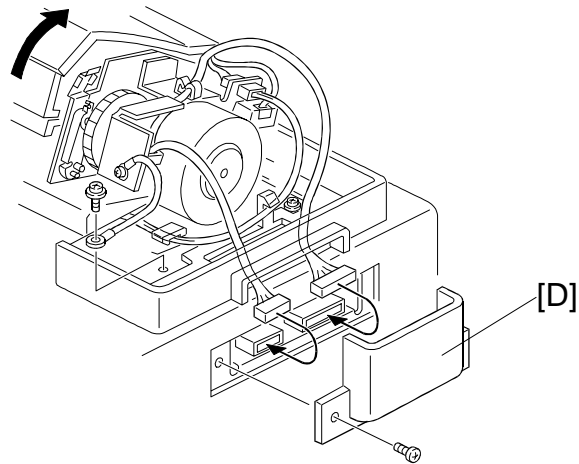


First, remove the ADF roller assembly [A].

A: ADF Roller Assembly

B: ADF Upper Front Cover (1 screw, 1 hook)

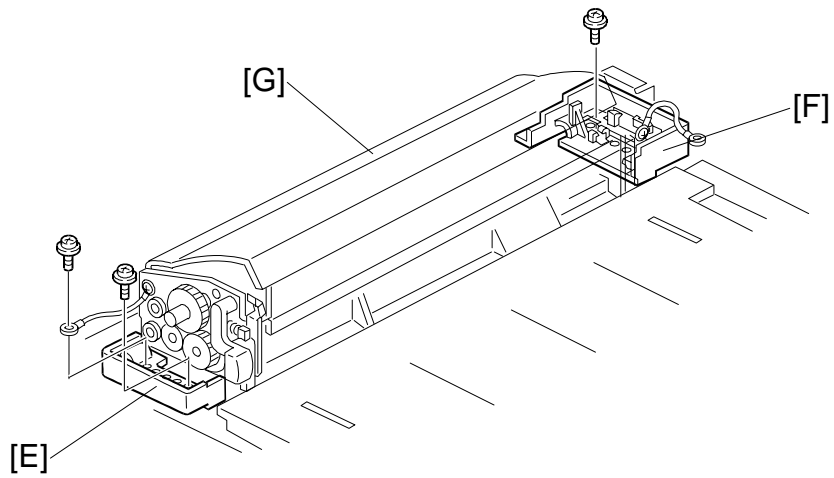
C: ADF Upper Rear Cover (1 screw, 2 hooks)



Remove the connector cover, then remove the harness and ground wire.

D: Connector Cover (1 screw)

EXTERIOR COVER REMOVAL

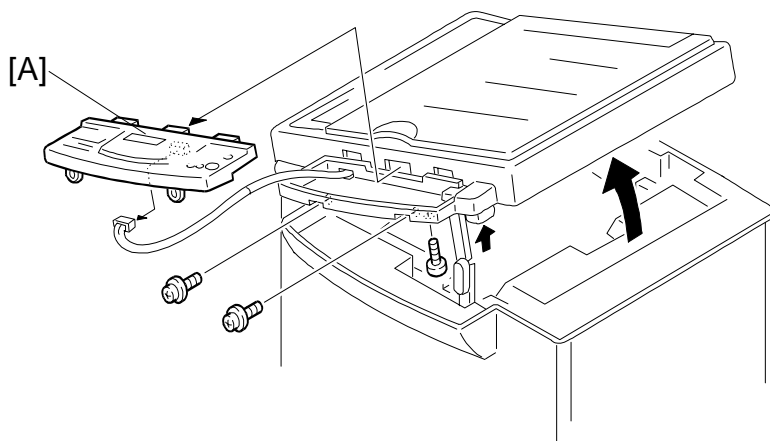


E: ADF Lower Front Cover (2 screws, 1 grounding wire)

F: ADF Lower Rear Cover (2 screws, 1 grounding wire)

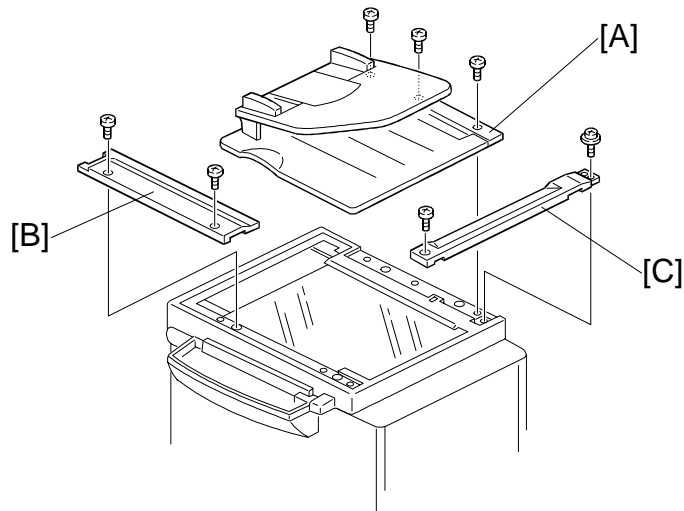
G: ADF Unit (2 connectors)

6.1.2 OPERATION PANEL



A: Operation Panel Assembly (3 tapping screws, 1 connector)

6.1.3 PLATEN COVER AND UPPER COVERS

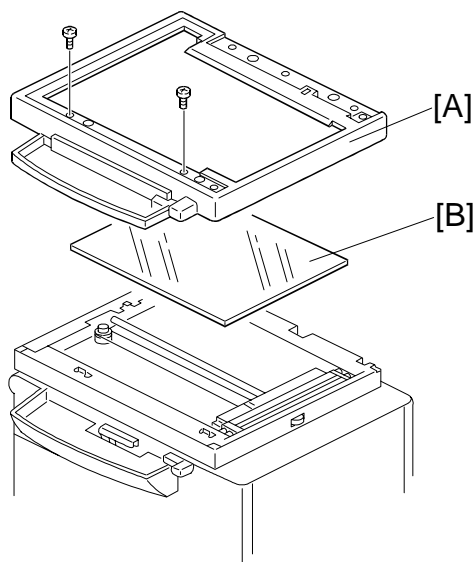


A: Platen Cover (3 tapping screws)

B: Horizontal Upper Cover (2 silver screws)

C: Vertical Upper Cover (1 silver screw, 1 screw)

6.1.4 TOP COVER AND EXPOSURE GLASS



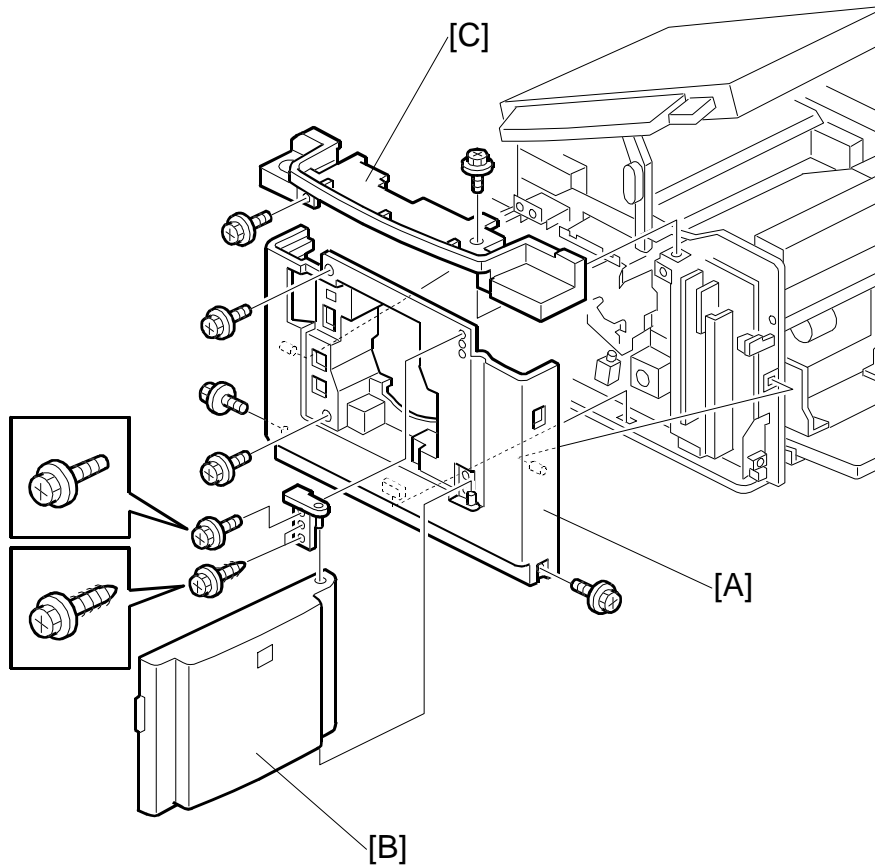
A: Top Cover (2 screws)

B: Exposure Glass

Replacement
and
Adjustment

EXTERIOR COVER REMOVAL

6.1.5 OTHER COVERS



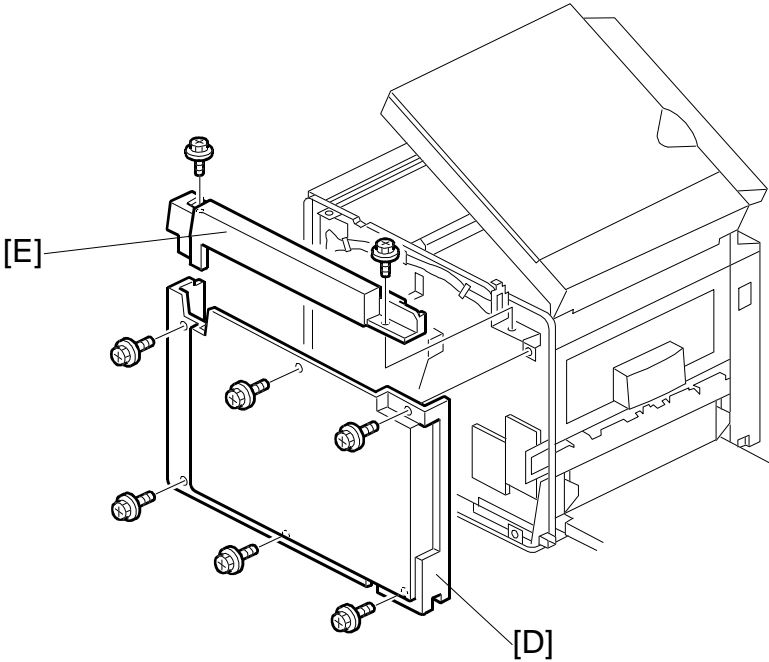
A: Front cover (5 screws).

B: Front door (2 screws).

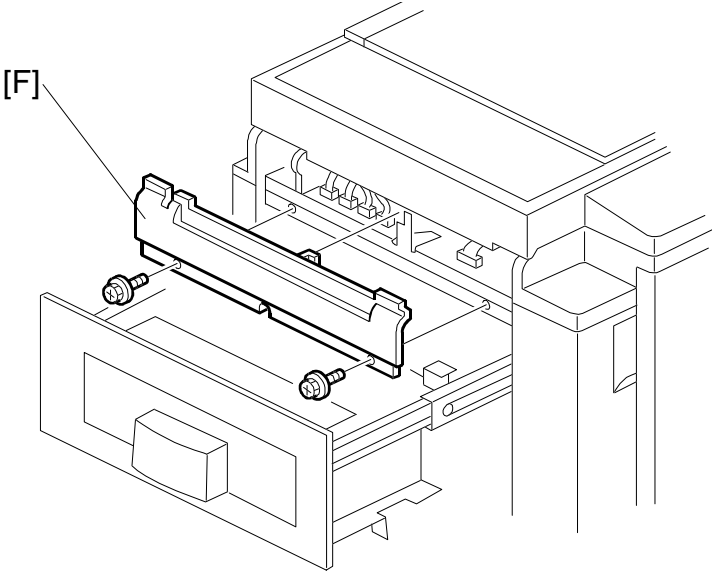
NOTE: The two screws are different in shape, as shown.

C: Operation panel under cover (2 screws).

EXTERIOR COVER REMOVAL



- D: Rear cover (6 screws).
- E: Rear upper cover (2 screws).



- F: Left upper cover (2 screws).

Replacement
and
Adjustment

6.2 COPY IMAGE ADJUSTMENT

6.2.1 LEADING EDGE REGISTRATION ADJUSTMENT

PURPOSE: To adjust the leading edge registration on prints in platen mode and ADF mode.

ADJUSTMENT STANDARD:

Within 0 ± 2.0 mm (in platen mode)

Within 0 ± 2.5 mm (in ADF mode)

CAUTION: This adjustment is required every time the MPU has been replaced.

1. Turn on the main switch, and make a copy in platen mode.

NOTE: The image position on the trial print that is automatically made after making a master tends to be inconstant. Do not use the trial print to check the copy image.

2. Measure the difference between the leading edge registration of the original and the print. If the registration does not meet specifications, go to the next step.
3. Access SP26 (Feed Timing Adjustment).
4. Adjust the gap.
5. Exit the SP mode and make a copy.
6. Re-measure the leading edge registration to ensure it is within specifications. If the registration meets specifications, go to the next step.
7. Make a copy in ADF mode and repeat the same steps using SP38 (ADF Scan Line Adjustment). The specification in ADF mode is 0 ± 2.5 mm.

NOTE: SP38 changes the scanning start timing in the ADF mode, changing the leading edge registration in the ADF mode.

6.2.2 SIDE-TO-SIDE REGISTRAION ADJUSTMENT

PURPOSE: To adjust the side-to-side image position on prints by changing the main-scan positions in platen and ADF modes.

ADJUSTMENT STANDARD:

Within 0 ± 2.0 mm (in platen mode)

Within 0 ± 2.5 mm (in ADF mode)

CAUTION: This adjustment is required every time the MPU has been replaced.

1. Turn on the main switch, and make a copy in platen mode.

NOTE: The image position on the trial print that is automatically made after making a master tends to be inconstant. Do not use the trial print to check the copy image.

2. Measure the difference between the side-to-side edge registration of the original and the print. If the registration does not meet specifications, go to the next step.
3. Access SP31 (Scan Center Adjustment - Platen Mode).
4. Adjust the gap.
5. Exit the SP mode and make a copy.
6. Re-measure the side-to-side registration to ensure it is within specifications. If the registration meets specifications, go to the next step.
7. Make a copy in ADF mode and repeat the same steps using SP37 (ADF Center Adjustment - ADF Mode). The specification in ADF mode is 0 ± 2.5 mm.

6.2.3 VERTICAL MAGNIFICATION ADJUSTMENT

PURPOSE: To adjust the vertical magnification to within the adjustment standard by changing the scanning speeds in platen and ADF modes.

ADJUSTMENT STANDARD:

Within $100 \pm 1.0\%$

CAUTION: This adjustment is required every time the MPU has been replaced.

1. Turn on the main switch, and make a copy in platen mode.

NOTE: The image position on the trial print that is automatically made after making a master tends to be inconstant. Do not use the trial print to check the copy image.

2. Measure the difference between the magnification of the original and the print. If the vertical magnification does not meet specifications, go to the next step.
3. Access SP30 (Sub-Scan Magnification Adjustment).
4. Adjust the value.
5. Exit the SP mode and make a copy.
6. Check the vertical magnification again to ensure it is within specifications. If the vertical magnification meets specifications, go to the next step.
7. Make a copy in ADF mode and repeat the same steps using SP 36 (ADF Magnification Adjustment).

6.2.4 LEADING EDGE BLANK MARGIN ADJUSTMENT

PURPOSE: To adjust the leading edge blank margin.

ADJUSTMENT STANDARD:

Within 5 mm

CAUTION: This adjustment is required every time the MPU has been replaced.

1. Turn on the main switch, and make a copy in platen mode.

NOTE: The image position on the trial print that is automatically made after making a master tends to be inconstant. Do not use the trial print to check the copy image.

2. Measure the leading blank margin on the print. If the blank margin does not meet specifications, go to the next step.
3. Access SP33 (Lead edge Adjustment).
4. Adjust the value.
5. Exit the SP mode and make a copy.
6. Check the leading edge blank margin again to ensure it is within specifications.

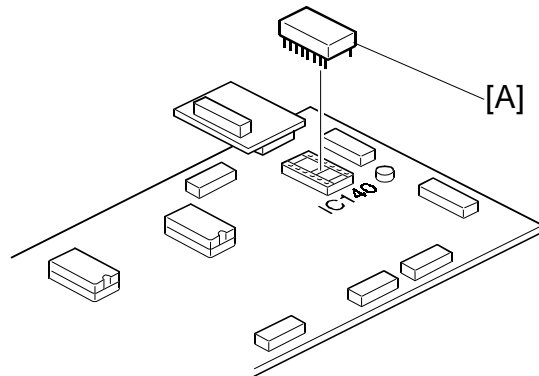
6.3 MPU REPLACEMENT

SP mode data and other adjustment data are stored in the backup RAM on the MPU.

Therefore, after replacing the MPU, be sure to do the following:

- 1) Vertical magnification adjustment (SP30, 36)
- 2) Side-to-side registration adjustment (SP31, 37)
- 3) Leading edge margin adjustment (SP33)
- 4) Leading edge registration adjustment (SP26, 38)
- 5) Correct drum type select (SP15)

NOTE: If you use the backup RAM [A] (IC140) from the old MPU for the new MPU, all data, including data in the SP mode, will be restored. You do not have to do the above procedures. (The battery inside the RAM can hold data when the RAM is removed from the MPU.)

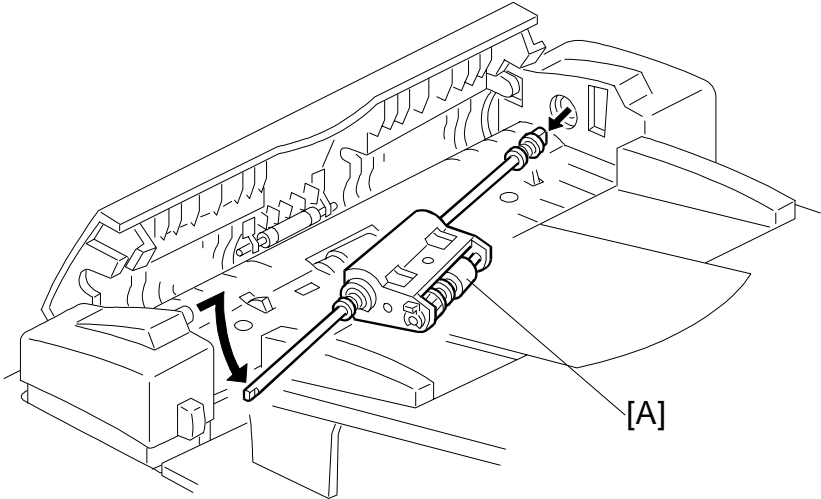


The following adjustments are needed even when you use the backup RAM from the old MPU on the new one:

- 1) Ink detection adjustment (Refer to section 6.9.5)
- 2) Master end sensor adjustment (Refer to section 6.5.4)

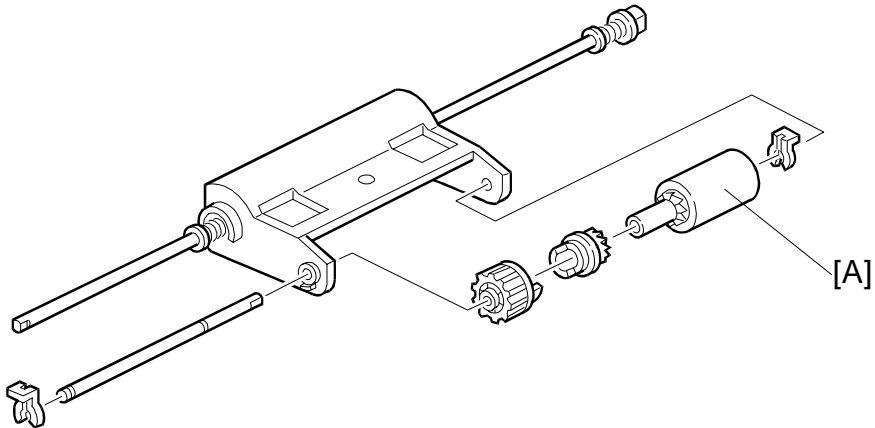
6.4 ORIGINAL FEED SECTION

6.4.1 ADF ROLLER ASSEMBLY



A: ADF Roller Assembly

6.4.2 PICK-UP ROLLER

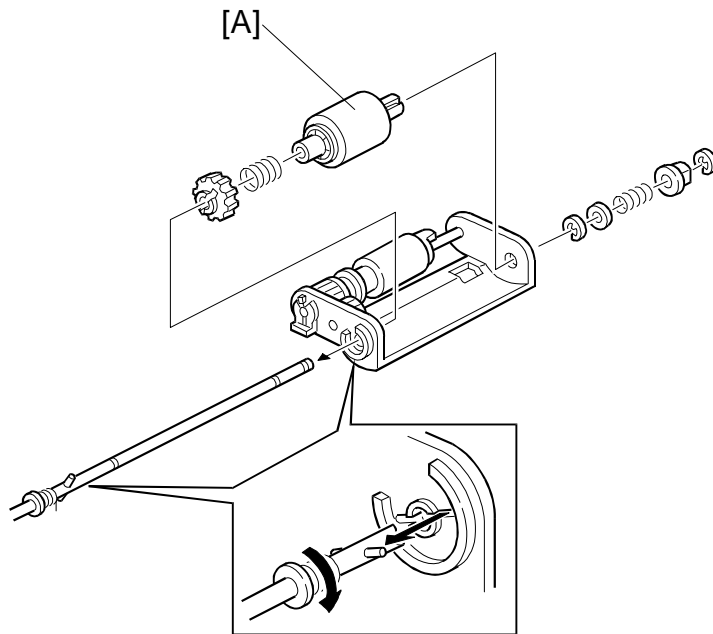


A: Pick-up Roller (2 clips, 2 gears)

Replacement
and
Adjustment

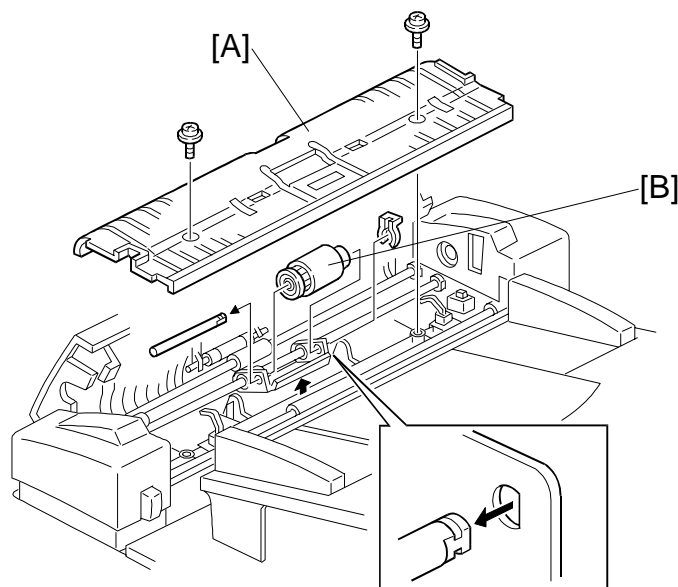
ORIGINAL FEED SECTION

6.4.3 FEED ROLLER



A: Feed Roller (1 clip, 1 gear, 2 springs, 2 E-rings, 1 washer)

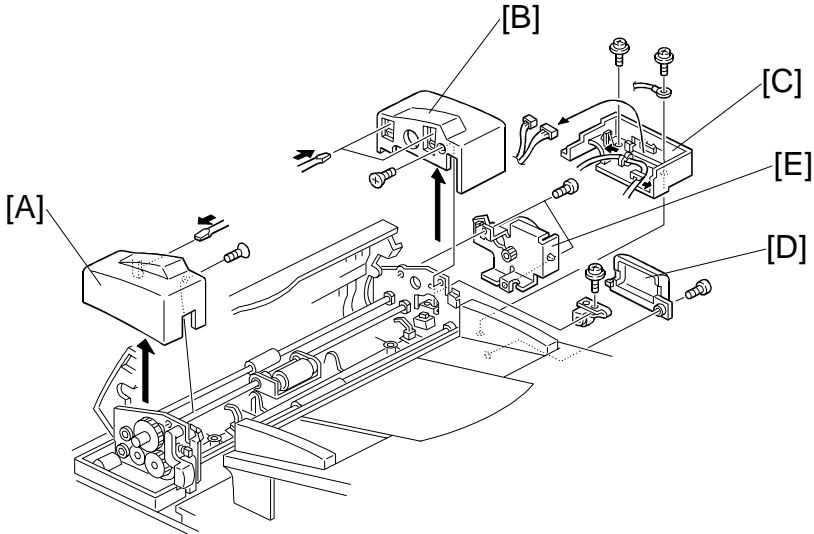
6.4.4 SEPARATION ROLLER



A: Upper Guide Plate (2 tapping screws)

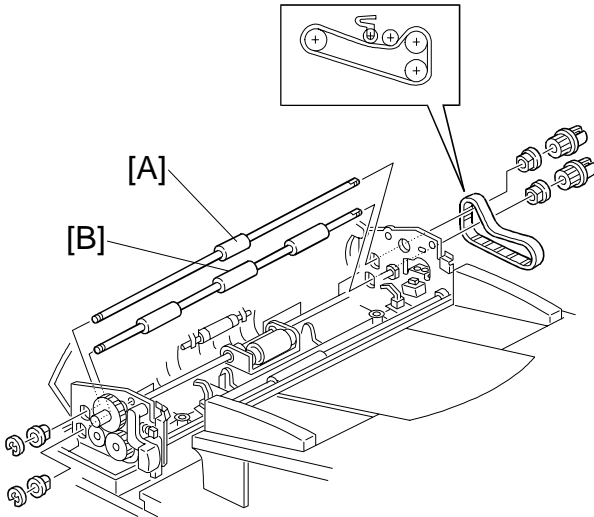
B: Separation Roller (1 clip)

6.4.5 ADF MOTOR AND COVERS



- A: ADF Upper Front Cover (1 screw, 1 hook)
- B: ADF Upper Rear Cover (1 screw, 2 hooks)
- C: ADF Lower Rear Cover (2 screws)
- D: Connector Cover (1 screw)
- E: ADF Motor (2 screws)

6.4.6 R0 AND R1 ROLLERS

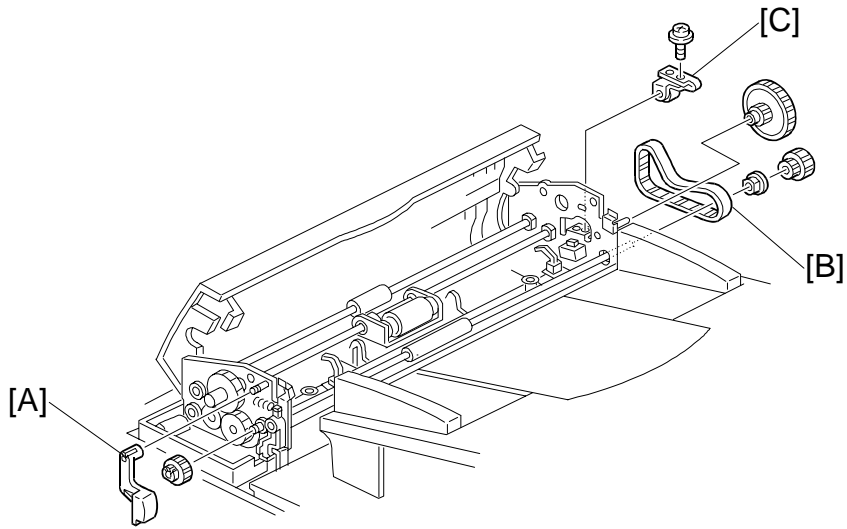


- A: R0 Roller (1 E-ring, 1 gear, 2 bushings)
- B: R1 Roller (1 E-ring, 1 gear, 2 bushings)

Replacement and Adjustment

ORIGINAL FEED SECTION

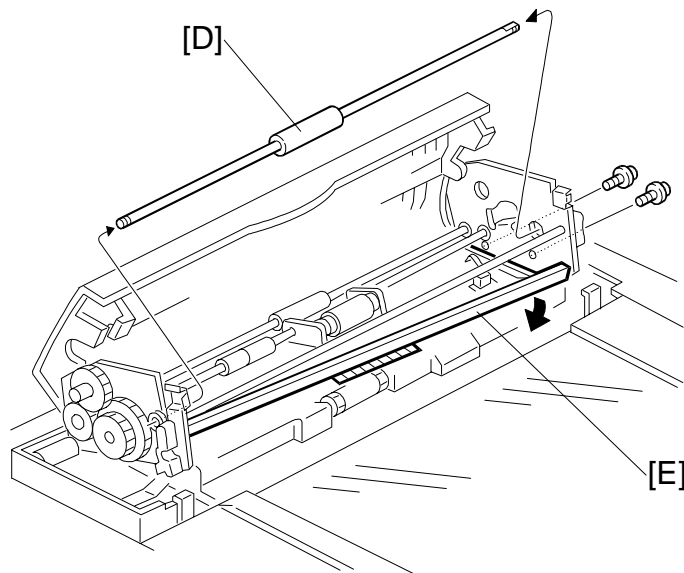
6.4.7 R2 ROLLER



A: ADF Release Lever

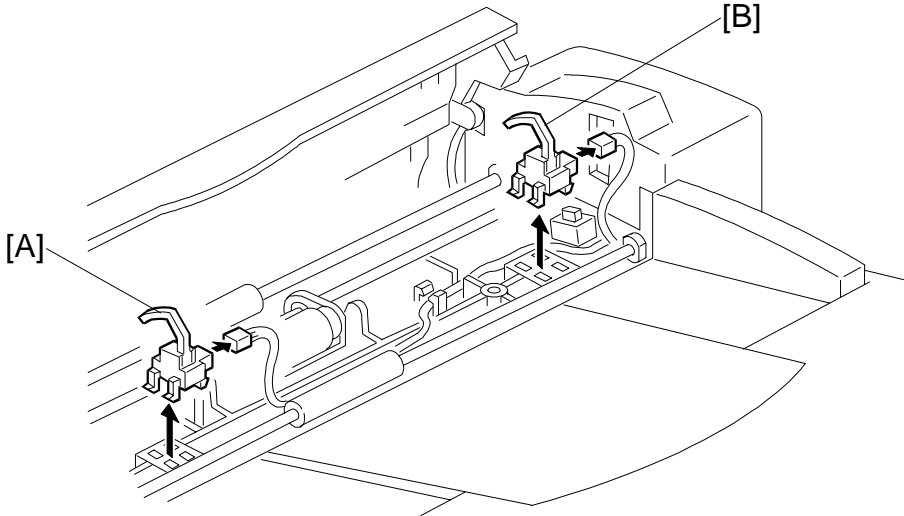
B: Timing Belt

C: Tensioning Roller Ass'y (1 screw)



Remove the R2 roller [D] while lowering the guide plate [E].

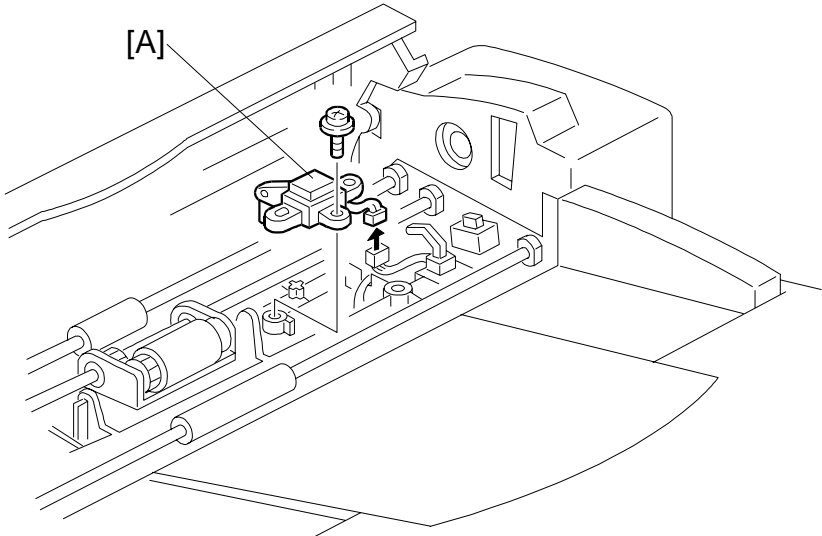
6.4.8 DOCUMENT SENSOR



A: Document Sensor

B: This sensor has no function

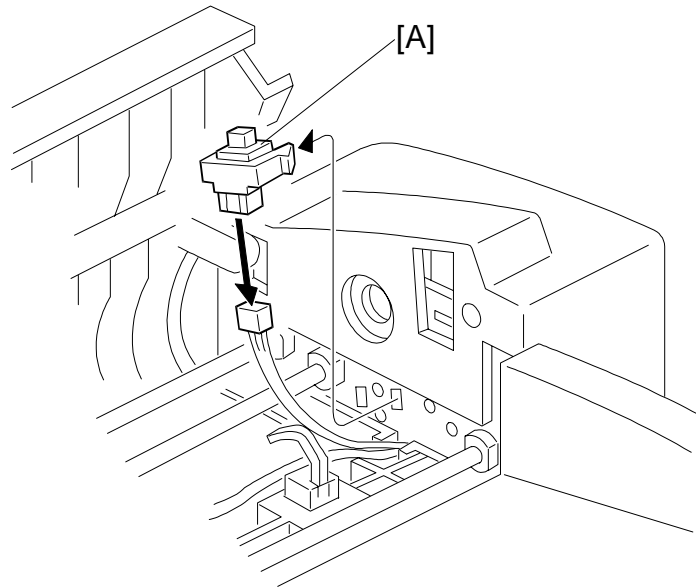
6.4.9 SCAN LINE SENSOR



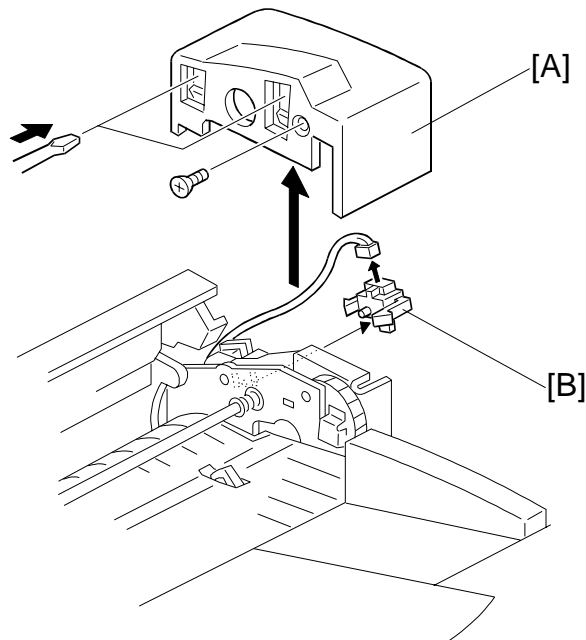
A: Scan Line Sensor (1 screw)

Replacement
and
Adjustment

6.4.10 COVER SENSORS



A: ADF Cover Switch

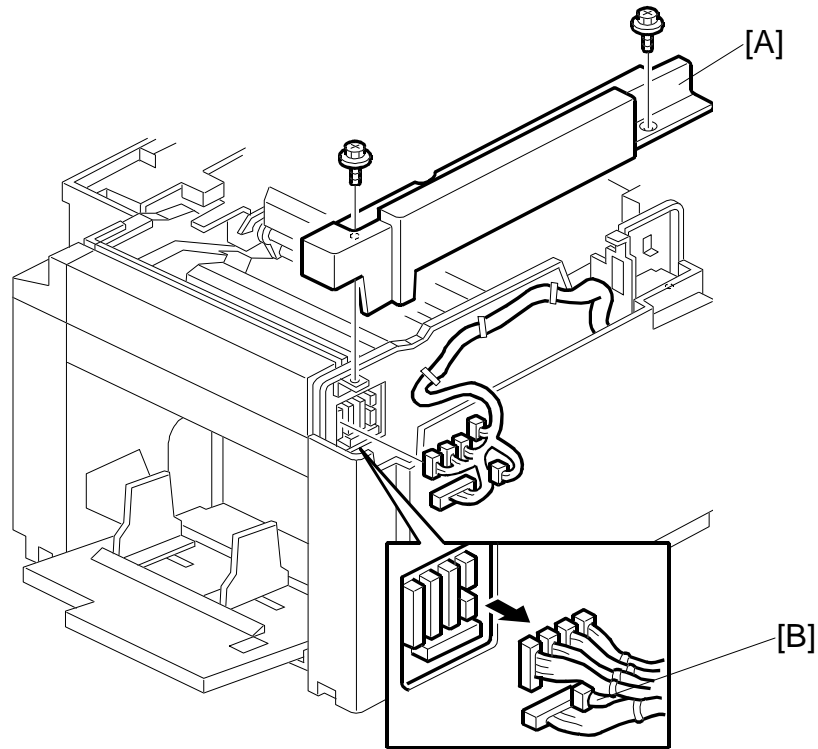


A: Upper Rear Cover (1 screw, 2 hooks)

B: ADF Switch

6.5 MASTER FEED SECTION

6.5.1 MASTER MAKING UNIT REMOVAL



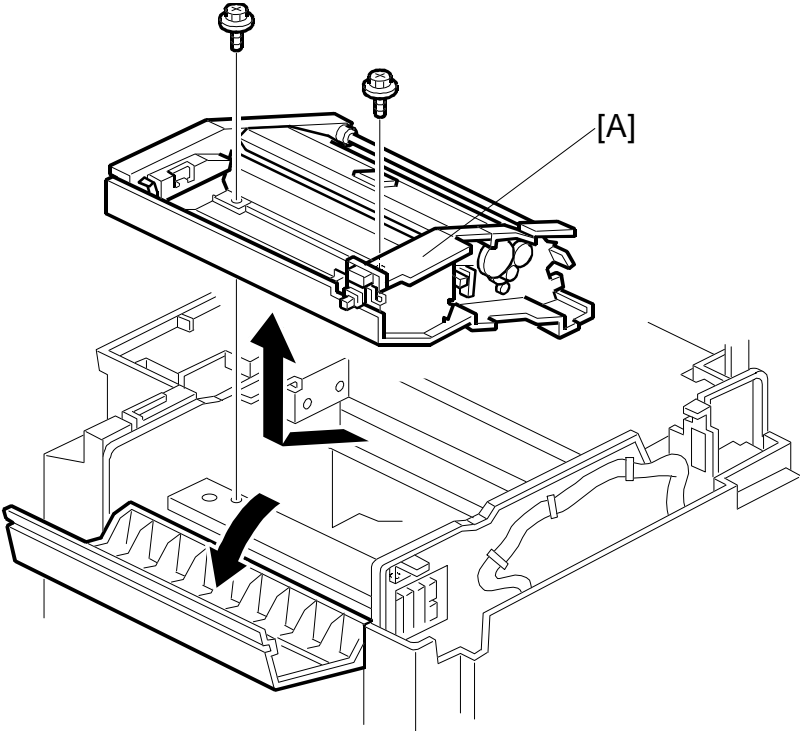
First, turn off the main switch and disconnect the power plug.

Then open the scanner unit.

A: Rear upper cover (2 screws)

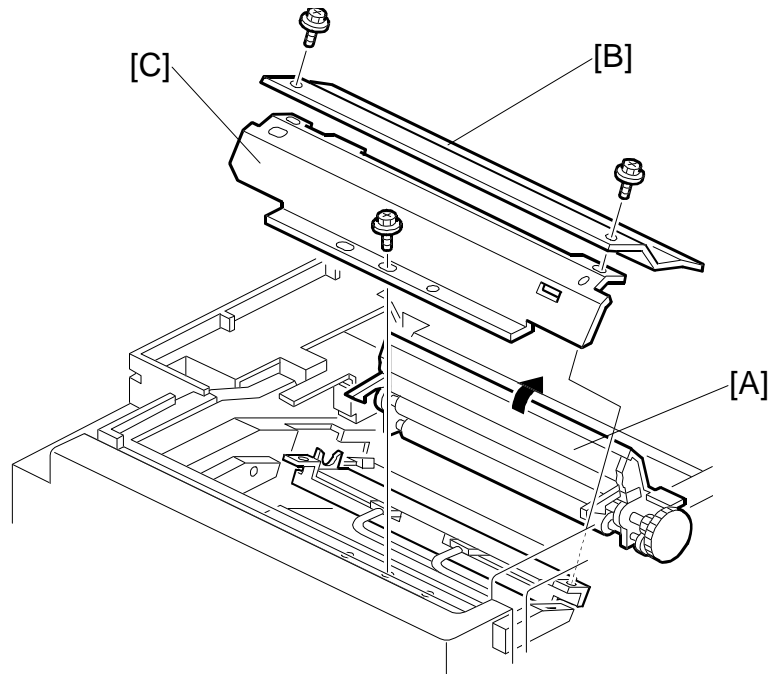
B: Disconnect 6 connectors

MASTER FEED SECTION



A: Master making unit (2 screws)

6.5.2 THERMAL HEAD REMOVAL

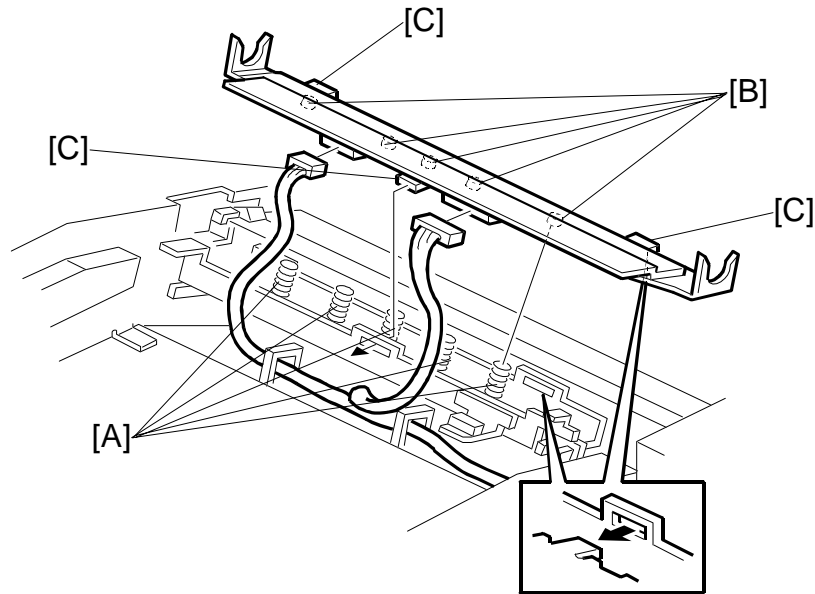


⚠ CAUTION

If the thermal head has been replaced, the input voltage must be adjusted. Refer to "Thermal Head Voltage Adjustment". Refer to section 6.5.3.

1. Turn off the main switch and disconnect the power plug.
2. Remove the master making unit. (See Master Making Unit Removal.)
3. Open the platen roller unit [A].
4. Remove the thermal head upper cover [B] (2 screws).
5. Remove the thermal head side cover [C] (1 screw).
6. Remove the thermal head connector (2 connectors). (See the illustration on the following page.)
7. Unhook the lock pawls of the thermal head (3 lock pawls). Make sure to unhook the two rear sides (the drum side) first.
8. Remove the thermal head.

Remarks for thermal head installation



If the following remarks are not followed, the thermal head will be installed incorrectly.

- 1) Fit the base's springs [A] over the protrusions [B] on the underside of the thermal head (5 points).
- 2) While fitting the tops of the springs [A] over the protrusions on the underside of the thermal head, hook the lock pawls [C] of the thermal head onto the base (3 lock pawls). Make sure to set the front side (the paper table side) first.
- 3) The spring in the middle is longer than the other ones. Therefore, set the central protrusion first, then fit the other protrusions into the springs. Make sure that all protrusions are properly fit into the springs. With the master making unit removed from the machine, you can look from the tension roller side to check if the springs are fitted properly.

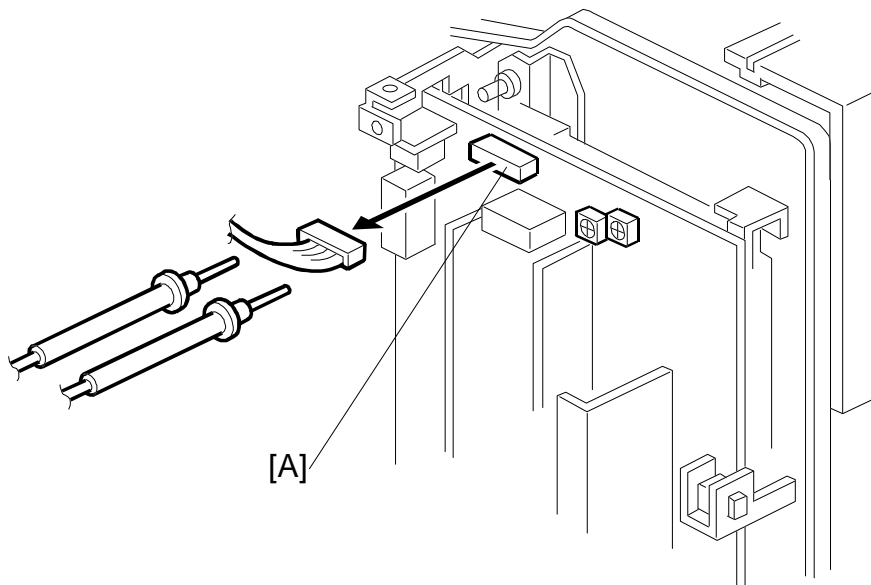
6.5.3 THERMAL HEAD VOLTAGE ADJUSTMENT

PURPOSE: To maintain master making quality and extend the lifetime of the thermal head.

ADJUSTMENT STANDARD:

Refer to the voltage value (X) printed on the thermal head. The value varies from one thermal head to another.

The adjustment voltage should be between X and X - 0.1 V.

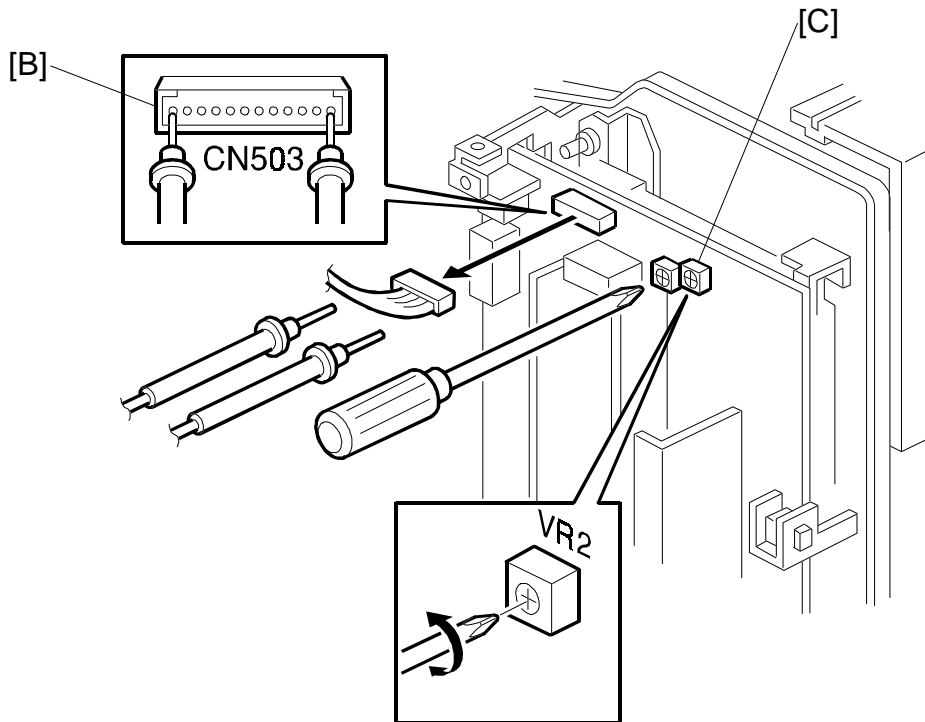


⚠ CAUTION

This adjustment is always required when the thermal head or power supply unit has been replaced.

1. Turn off the main switch and disconnect the power plug.
2. Remove the front cover and panel cover (6 screws).
3. Disconnect CN503 [A] on the power supply unit.
4. Read the voltage value on the decal on the thermal head.(not shown)
5. Connect the power plug, and turn on the main switch to access SP mode, #131, output check mode.
6. Select the thermal head power supply output check mode 41.

MASTER FEED SECTION



7. Press the Start key. The power to the thermal head is continually applied. Press the Stop key if you cannot finish the adjustment quickly.

NOTE: A beeper sounds while the power is supplied.

8. Measure the voltage between an output terminal Pin 14(VHD) and a grounding terminal Pin 1(VHD GND) of CN503.

⚠ CAUTION

Use the outside terminals of the connector as shown [B] to measure the voltage. If the output and ground terminals touch each other, the board will be damaged.

9. Turn VR2 [C] so that the value becomes between "+0" and "-0.1" volts of the voltage value that is printed on the thermal head decal.

⚠ CAUTION

Never turn VR2 [C] clockwise rapidly while the connector is connected. The thermal head will be damaged if too much voltage is supplied suddenly.

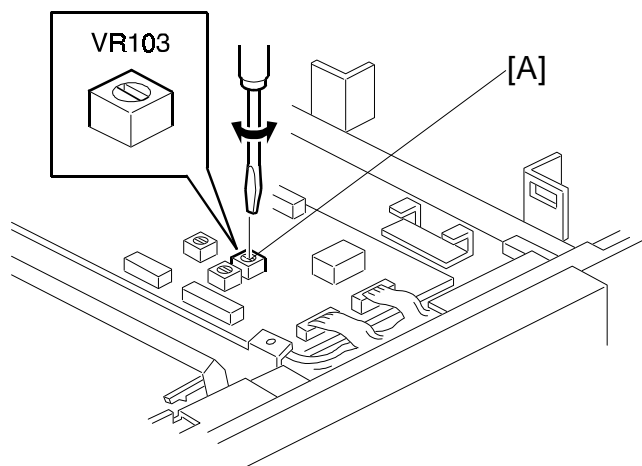
6.5.4 MASTER END SENSOR ADJUSTMENT

PURPOSE: To ensure that the sensor detects the end mark (a solid black area) on the master roll.

ADJUSTMENT STANDARD:

Within 1.5 ± 0.1 volts (when detecting the solid black area)

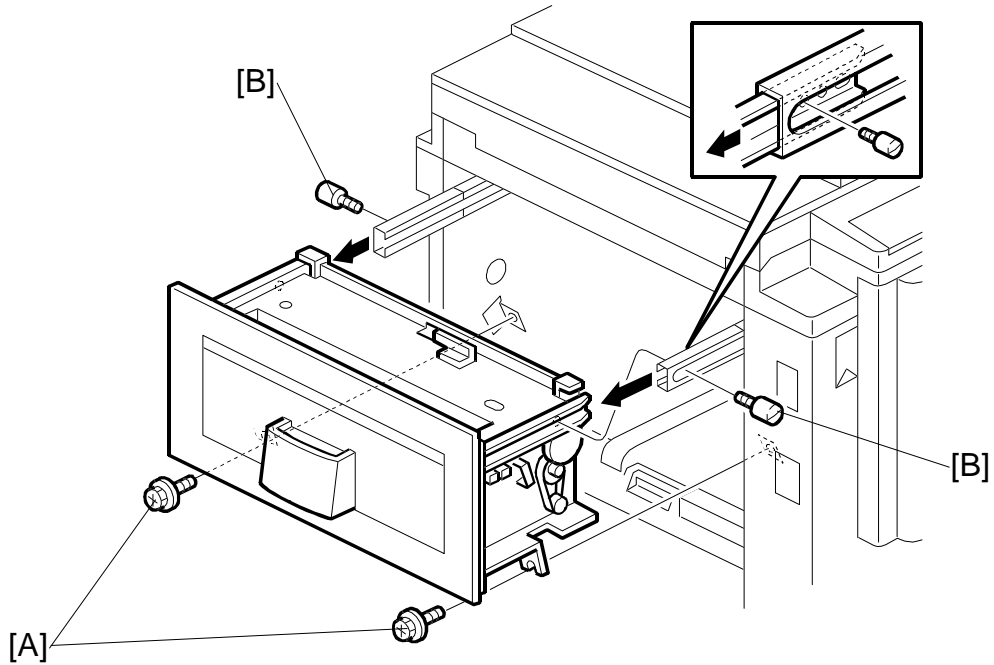
Within 3.7 ± 0.1 volts (when detecting a new master roll)



1. Make a print that includes a solid fill black area.
2. Open the scanner unit, and remove the master roll.
3. Put the print so that the solid black image faces the master end sensor.
4. Turn on the main switch and access SP mode.
5. Select the master end sensor voltage mode (SP 135), then press the Enter key.
6. The sensor input voltage is displayed on the operation panel. (If the displayed voltage is 1.5 ± 0.1 volts, the following steps are not necessary.)
7. Open the scanner unit, and remove the MPU cover (2 screws).
8. Turn VR103 [A] so that the sensor input voltage becomes 1.5 ± 0.1 volts.
9. Remove the solid black pattern from the master end sensor.
10. Install a new master roll.
11. The sensor input voltage is displayed on the operation panel. Check that it is 3.7 ± 0.1 volts.

6.6 MASTER EJECT SECTION

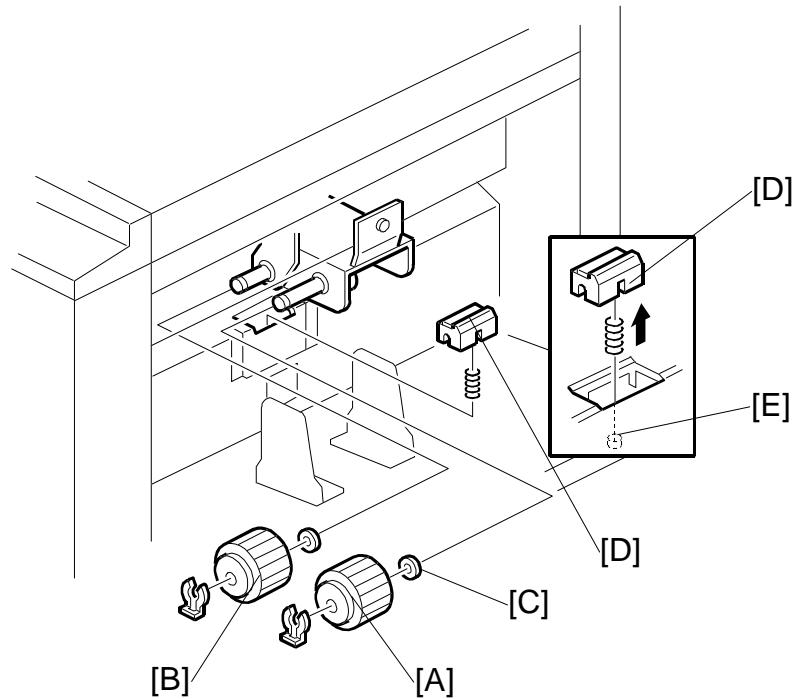
6.6.1 MASTER EJECT UNIT REMOVAL



1. Turn off the main switch and disconnect the power plug.
2. Remove the 2 screws [A].
3. Pull out the master eject unit.
4. Remove the 2 screws [B].

6.7 PAPER FEED SECTION

6.7.1 PAPER FEED ROLLER, PICK-UP ROLLER, AND FRICTION PAD



1. Turn off the main switch and disconnect the power plug.
2. Lower the paper table, and remove the pick-up roller [A] (1 snap ring).
3. Remove the paper feed roller [B] (1 snap ring).

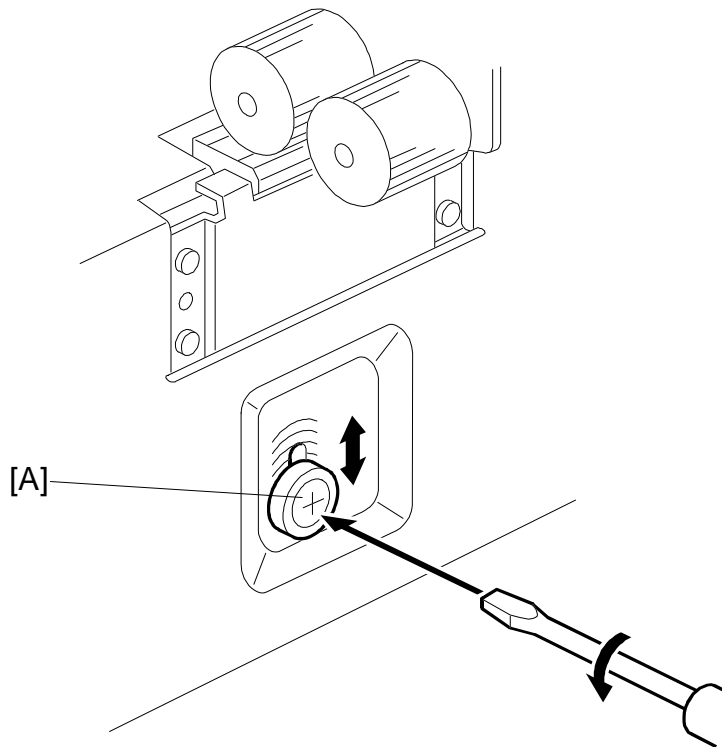
NOTE: 1) Do not lose the small spacers [C] inside the rollers.
 2) Install the paper feed roller in the proper way round, due to the one-way built-in clutch. The clutch faces inside.

4. Remove the friction pad base [D].

NOTE: Install the friction pad base in the proper direction, as shown. Also, be sure that the friction pressure spring is properly set into the hole in the friction pad base [D] and over the projection [E] in the bottom hold. Otherwise, paper misfeed will occur.

6.7.2 PAPER SEPARATION PRESSURE ADJUSTMENT

PURPOSE: To ensure that the friction pad exerts sufficient pressure for smooth printing paper separation.



Adjust the paper separation pressure by loosening and moving up or down the adjusting screw [A].

- Moving the screw up ⇒ Increases the paper separation pressure
- Moving the screw down ⇒ Decreases the paper separation pressure

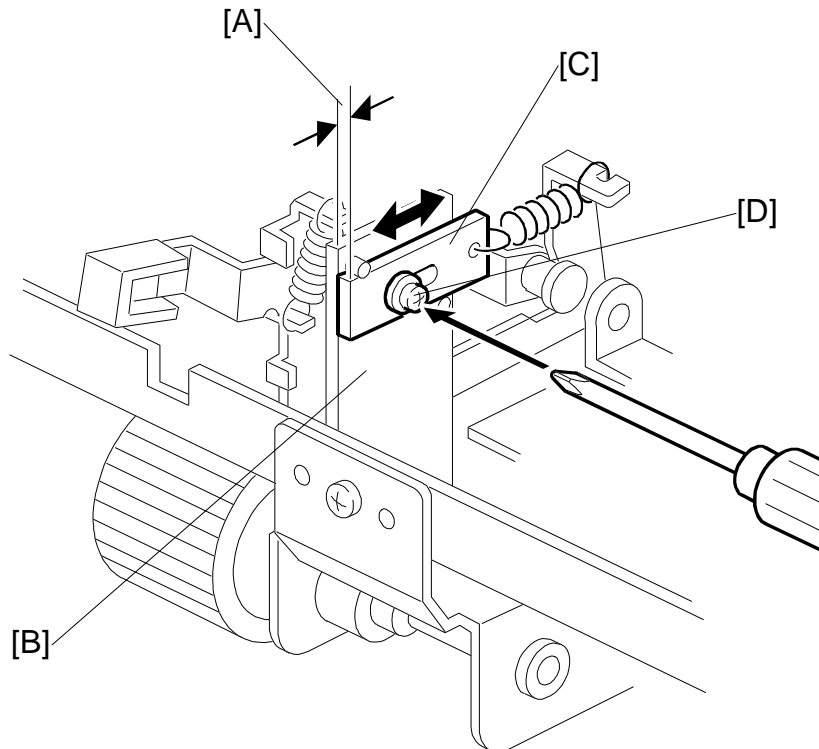
Tighten the screw after the adjustment.

NOTE: As the default, the screw is set at the lowest position.

6.7.3 PAPER FEED PRESSURE ADJUSTMENT

PURPOSE: To ensure that the paper feed roller exerts sufficient pressure for smooth printing paper feed.

ADJUSTMENT STANDARD:
0.0 to 0.3 mm



NOTE: Users can adjust the paper feed pressure using the paper feed pressure lever. The adjustment method in this section is an additional adjustment for service technicians only.

1. Remove the paper table upper cover (7 screws), and check the gap [A] between the bracket [B] and spring anchor [C].

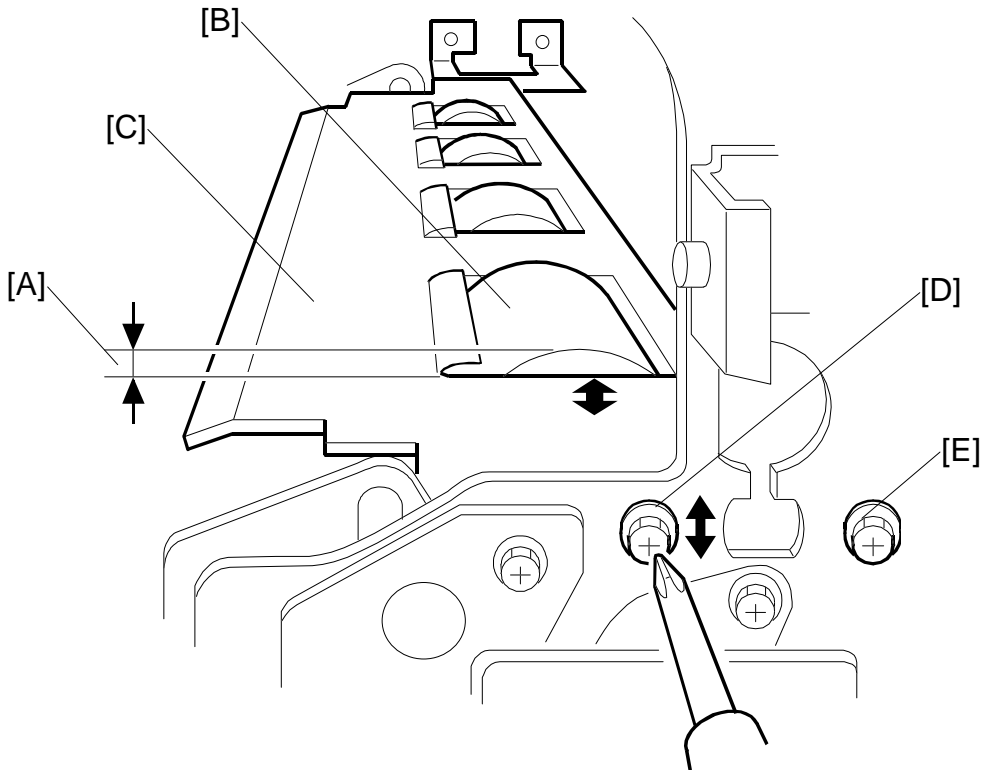
NOTE: As the default, the gap [A] is less than 0.3 mm.

2. Adjust the paper feed pressure by moving the spring anchor [C] (loose the screw [A]).
 - Moving it towards the front ⇒ Increases the feed pressure
 - Moving it towards the rear ⇒ Decreases the feed pressure

6.7.4 REGISTRATION ROLLER CLEARANCE ADJUSTMENT

PURPOSE: To ensure smooth paper feed with no paper jams, folds, or wrinkles.

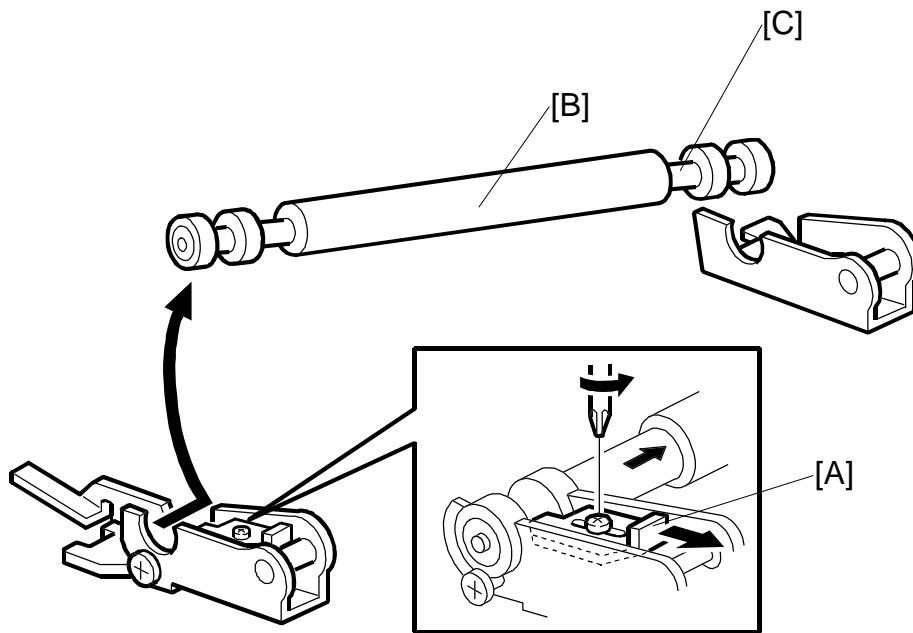
ADJUSTMENT STANDARD:
0.2 to 0.4 mm



1. Turn off the main switch and disconnect the power plug.
2. Remove the front cover. (See 6.1.5 Other Covers.)
3. Measure the clearance [A] between the lower registration roller [B] and the guide plate [C]. It should be 0.2 to 0.4 mm.
4. If it is not correct, adjust the position with the screw [D] after loosening the screw [D] and [E].
5. Repeat steps 3 and 4 for the rear side of the machine.

6.8 PRINTING SECTION

6.8.1 PRESS ROLLER REMOVAL



⚠ CAUTION

Take care to avoid possible injury. If the printing pressure release arms disengage, the press roller will be pulled upwards suddenly.

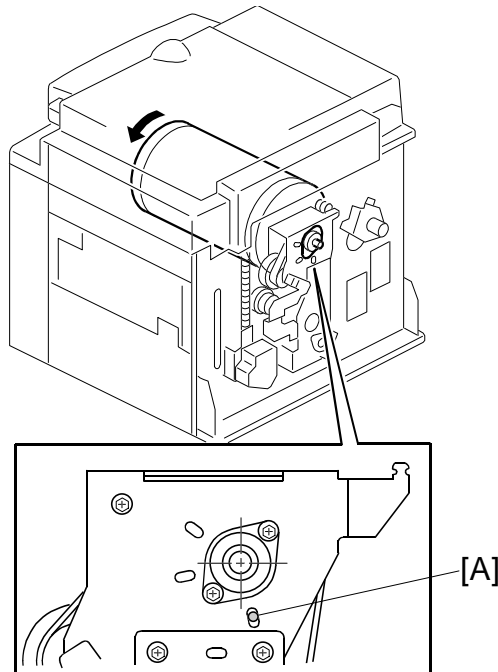
1. Turn off the main switch and disconnect the power plug.
2. Remove the drum unit.
3. Remove the front cover (4 screws). (See 6.1.5 Other Covers.)
4. Loosen the screw and slide the bracket [A].
5. Remove the press roller [B].

CAUTION: The length of the exposed shaft on the rear and front differs. During installation, ensure that the longer exposed shaft [C] is positioned towards the rear of the machine.

6.8.2 PRESS ROLLER LOCK LEVER ADJUSTMENT

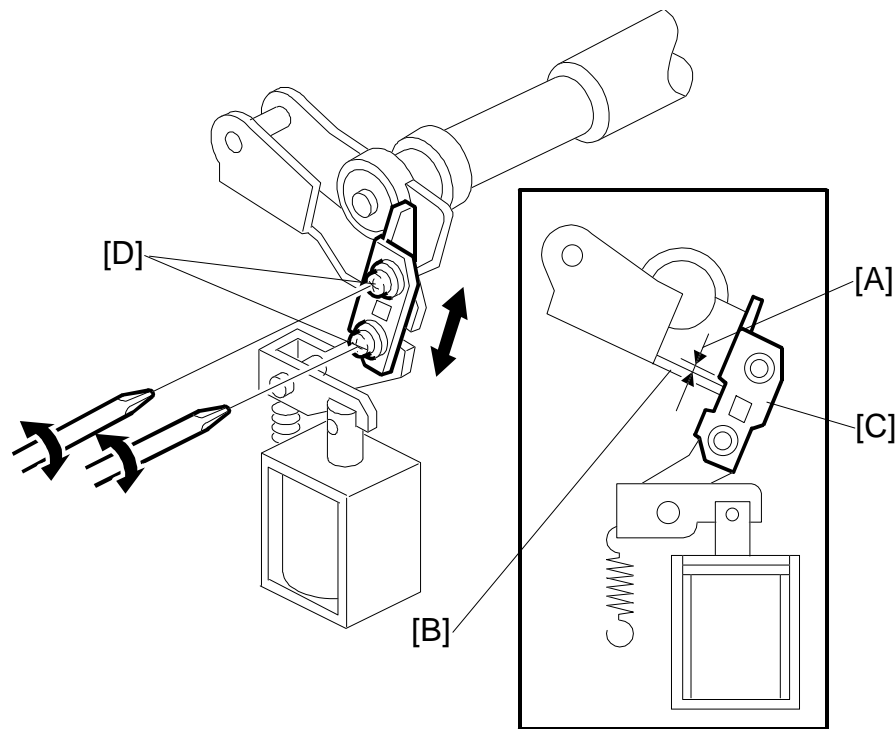
PURPOSE: To maintain the correct clearance between the press roller arms and press roller lock levers. This ensures that the press roller is correctly released and pressed against the drum when the press roller release solenoid is energized.

ADJUSTMENT STANDARD:
0.7 to 1.2 mm



1. Turn off the main switch and disconnect the power plug.
2. Remove the drum unit and remove the front cover (4 screws).
NOTE: The front cover must be removed prior to the adjustment.
3. Reinstall the drum.
4. Remove the rear cover (6 screws). (See 6.1.5 Other Covers.)
5. Turn the drum manually until the drum master clamper on the drum moves into the lowest position. (The high points of the cams on the drum flanges meet with the cam followers on both ends of the press roller.)

NOTE: To identify the correct position of the drum for the adjustment, look at the rear end of the drum shaft. The recess on the drum drive gear meets the long hole [A] in the bracket when the drum is in the correct position.



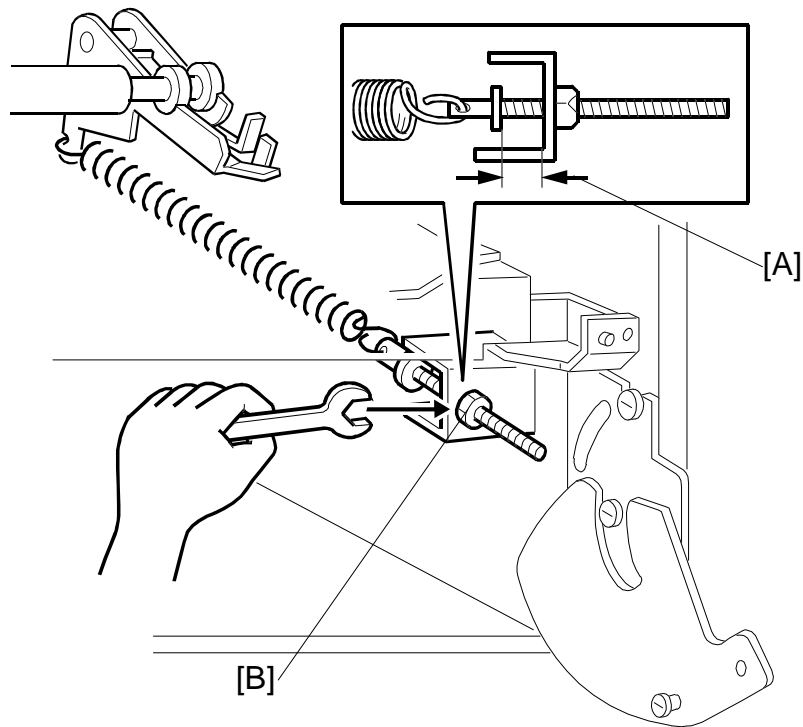
6. Using a thickness gauge, measure the clearance [A] between the press roller arm [B] and press roller lock lever [C] (rear side). It should be between 0.7 and 1.2 mm.
7. If it is not correct, adjust the position of the press roller lock lever after loosening the two screws [D].
8. Repeat steps 6 and 7 for the press roller lock lever located on the operation side of the machine.

6.8.3 PRINTING PRESSURE ADJUSTMENT

PURPOSE: To make better print results without decreasing the run length.

ADJUSTMENT STANDARD:

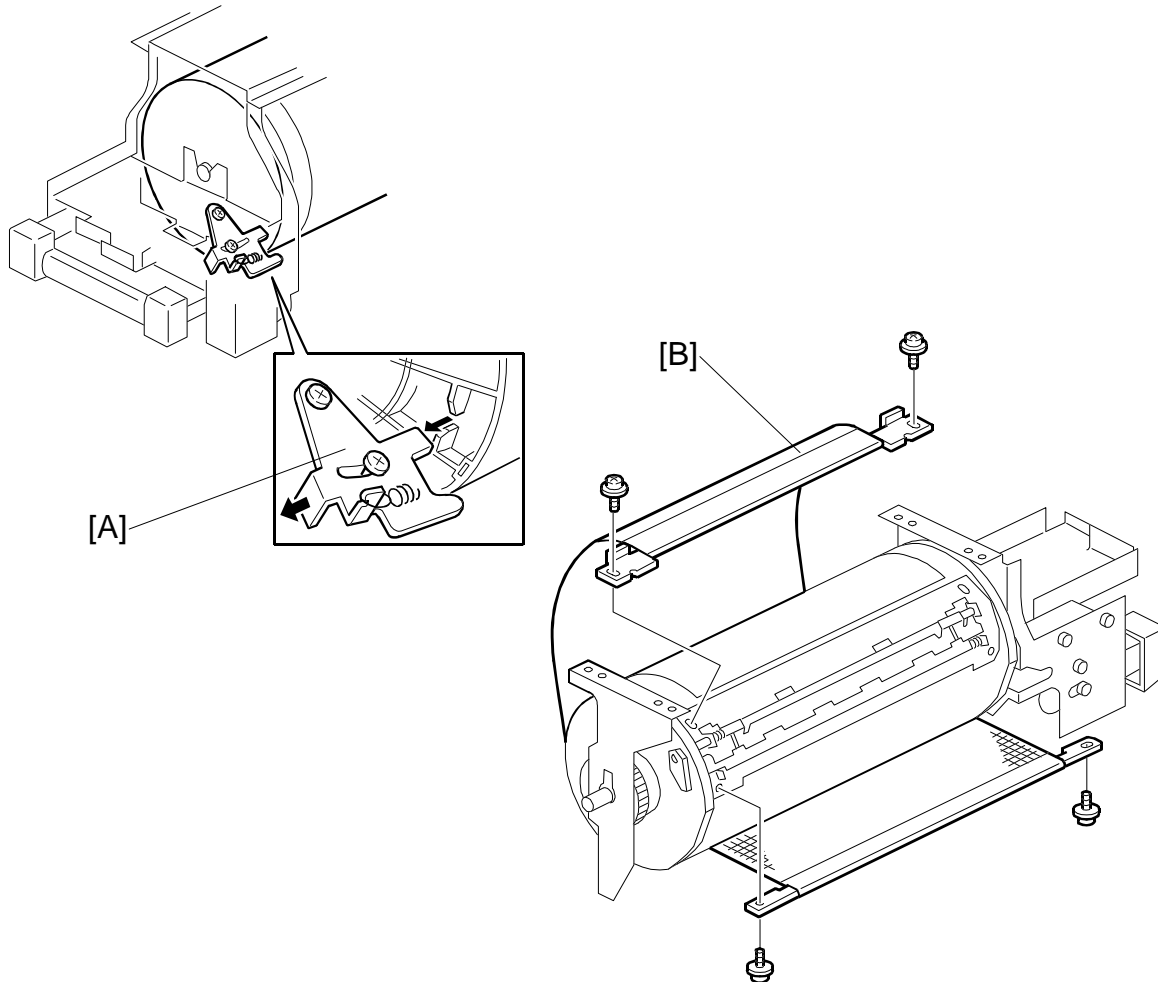
Within 10 ± 0.5 mm



1. Turn off the main switch and disconnect the power plug.
2. Remove the paper delivery cover. (See 6.10.1 Vacuum Unit Removal.)
3. Adjust the distance [A] to 10 ± 0.5 mm by turning the adjusting bolt [B].
4. Repeat the same procedure for the printing pressure spring at the non-operation side of the machine.

6.9 DRUM AND DRIVE SECTION

6.9.1 DRUM CLOTH SCREEN REMOVAL

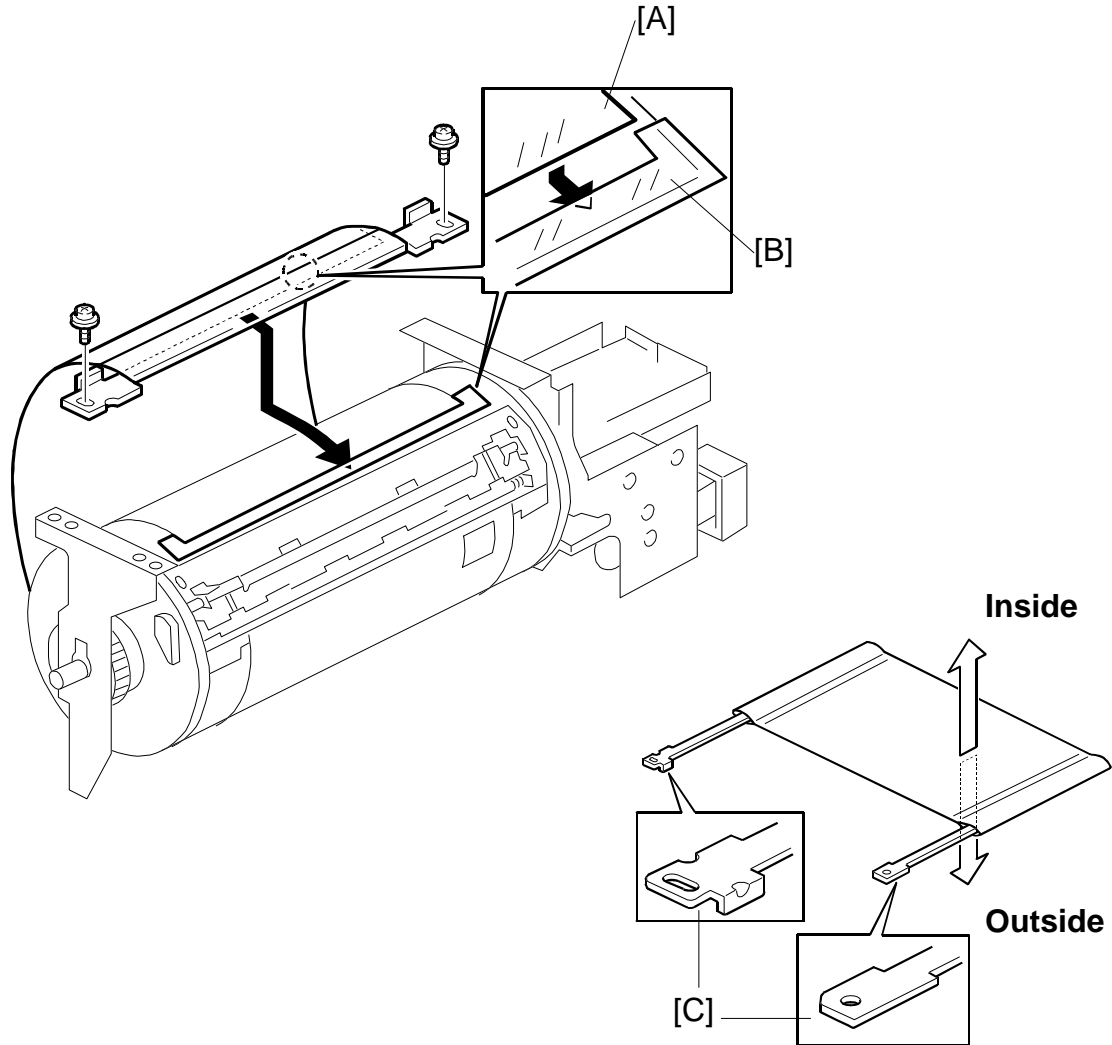


NOTE: Do not settle the drum unit upside down. However, if the drum unit was settled upside down, wipe off the ink around the ink roller beforehand (to do this, remove the ink cartridge, use SP 140, select OFF in ink detection mode, and feed paper until the ink supply ends).

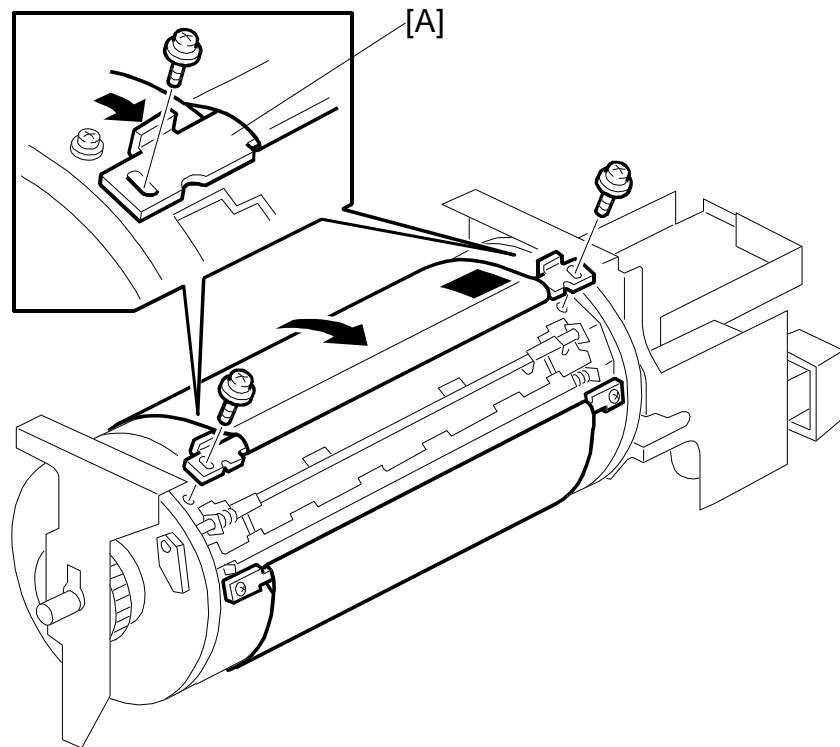
1. Turn off the main switch and disconnect the power plug.
2. Remove the drum unit.
3. Remove the drum upper bracket (4 screws).(not shown)
4. Release the stopper [A], then rotate the drum until the master clamper faces upward.
5. Remove the cloth screen [B] (4 screws).

DRUM AND DRIVE SECTION

Remarks for the cloth screen installation

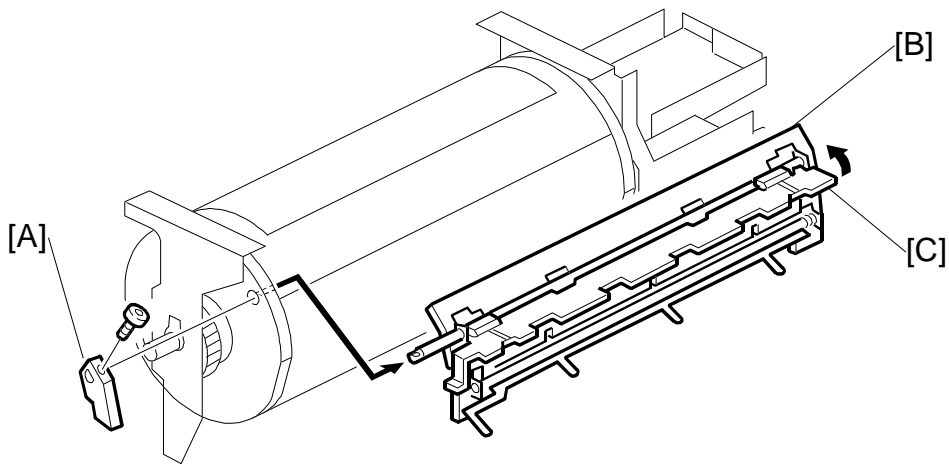


- Do not scratch the cloth screen or metal screen.
- Properly insert the edge of the mylar [A] on the cloth screen under the mylar [B] on the metal screen, as shown above. Otherwise, ink will leak from the trailing edge of the master onto the drum during a long printing run.
- Make sure that the correct side of the screen is facing up. In addition, make sure that the stays for [C] securing the cloth screen are positioned correctly. (Refer to the lower right illustration.)



- When replacing the cloth screen, spread the screen around the metal screen while strongly pulling the stay [A]. Adjust the stay so that it is parallel to the master clamber, then tighten the screws.
- Make sure that the cloth screen is not wrinkled while spreading it around the drum.

6.9.2 DRUM MASTER CLAMPER AND METAL SCREEN REMOVAL

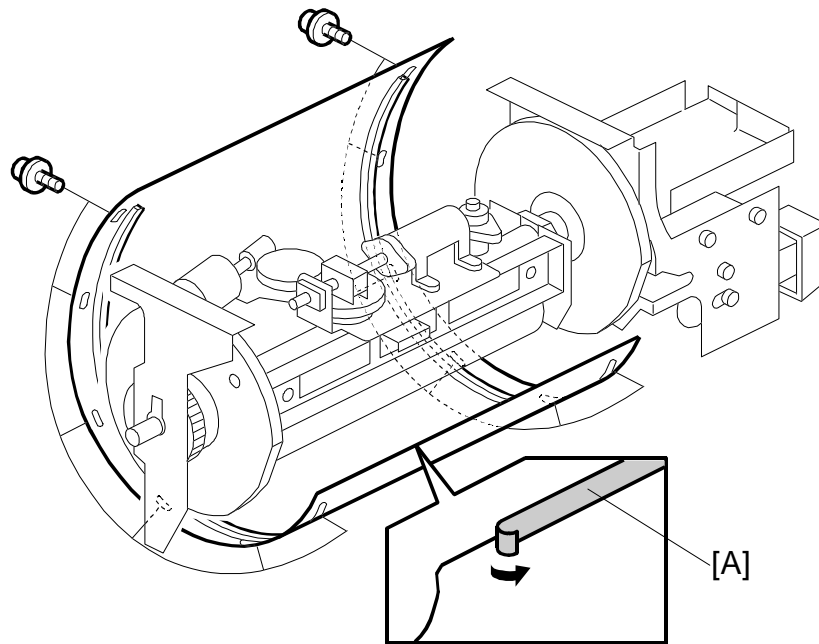


NOTE: Do not settle the drum unit upside down. However, if the drum unit was settled upside down, wipe off the ink around the ink roller beforehand (to do this, remove the ink cartridge, use SP 140, select OFF in ink detection mode, and feed paper until the ink supply ends).

1. Turn off the main switch and disconnect the power plug.
2. Remove the drum.
3. Remove the drum screen. (See 6.9.1 Drum Cloth Screen Removal.)
4. Remove the clamber open lever [A] (1 hexagon screw).
5. Remove the drum master clamber [B] while opening the clamping plate [C].

NOTE: 1) Do not allow the inside of the clamping plate [C] to become dirty with ink. If it is dirty with ink, the master may slip and the image position on the prints will move toward the trailing edge of the print during a printing run.
2) Use a cloth dampened with water to clean the inside of the clamping plate [C]. Never use alcohol or other solvents. The clamping force of the magnet will be weakened.

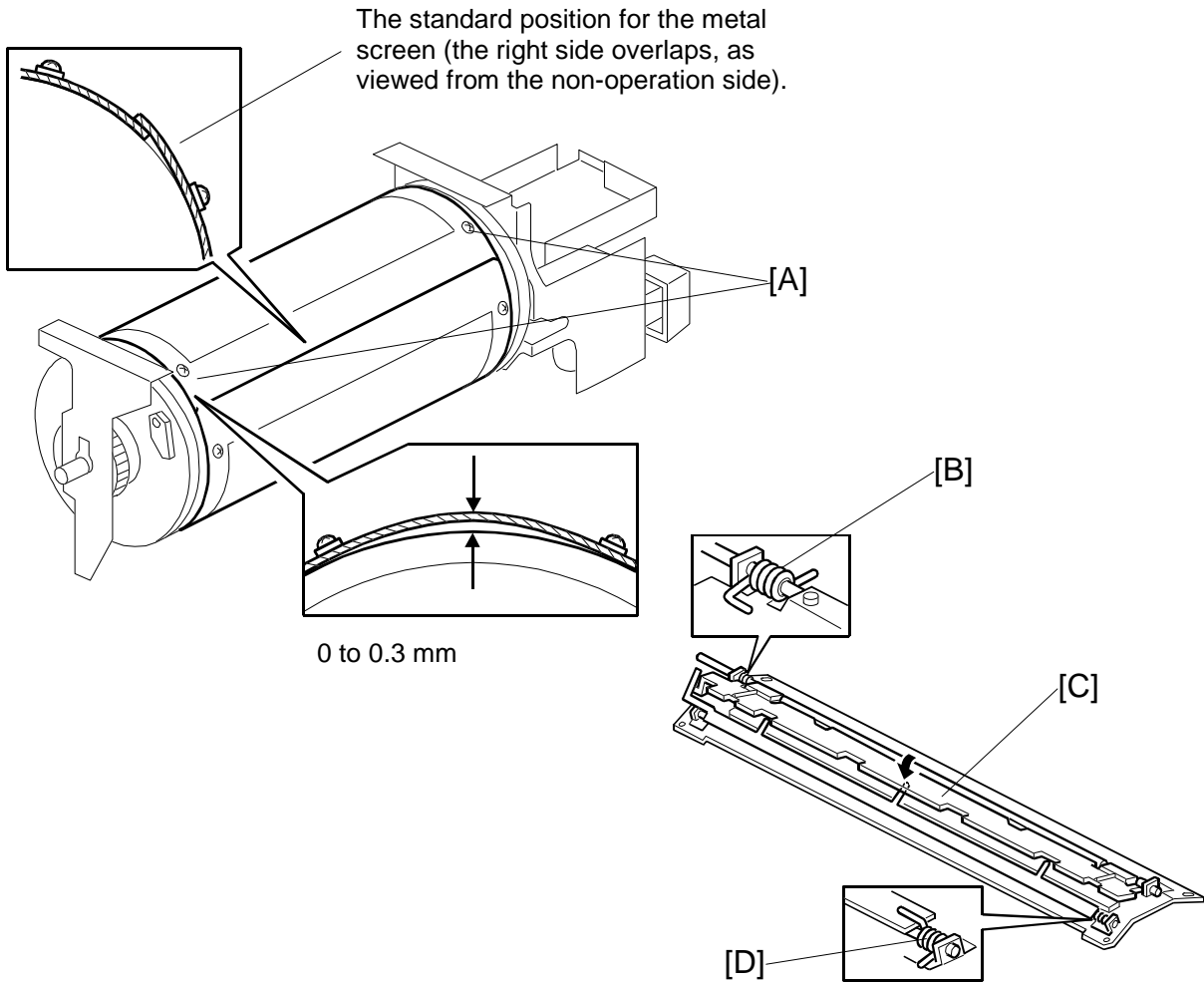
DRUM AND DRIVE SECTION



6. Peel off the tape [A].
7. Remove the metal screen (12 screws).

DRUM AND DRIVE SECTION

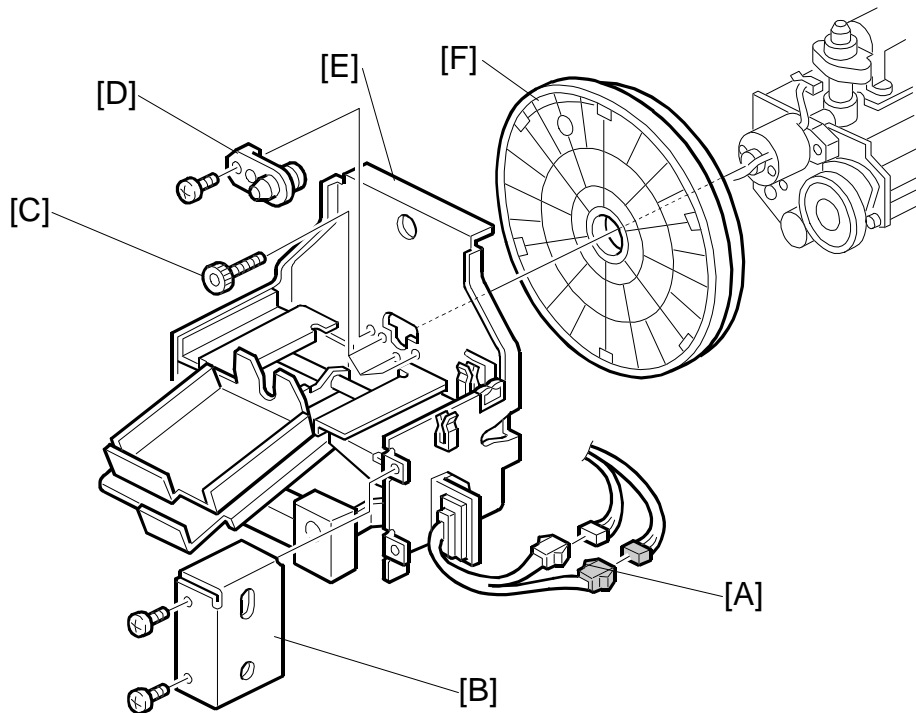
Remarks for drum screen installation



- Make sure that the correct end of the metal screen is overlapping. (Refer to the upper left illustration.)
- The 4 screws holding the drum master clamber are longer than the 12 screws holding the metal screen, although they are similar in appearance. Be careful not to mix them up or use the wrong screws.
- When installing the metal screen, secure the trailing edge first with the 2 screws. (The two holes [A] on the trailing side of the screen are round holes and the other holes are oblong holes to allow for the removal of the slack.) Then, tighten the other screws while removing the slack from the screen. Make sure that the gap between the drum flanges and the screen is 0.3 mm or less, as shown in the upper illustration.
- Position the springs [B] and [D] (one each at the front and rear) as shown when reinstalling the drum master clamber [C].
- Do not scratch the cloth screen or metal screen.

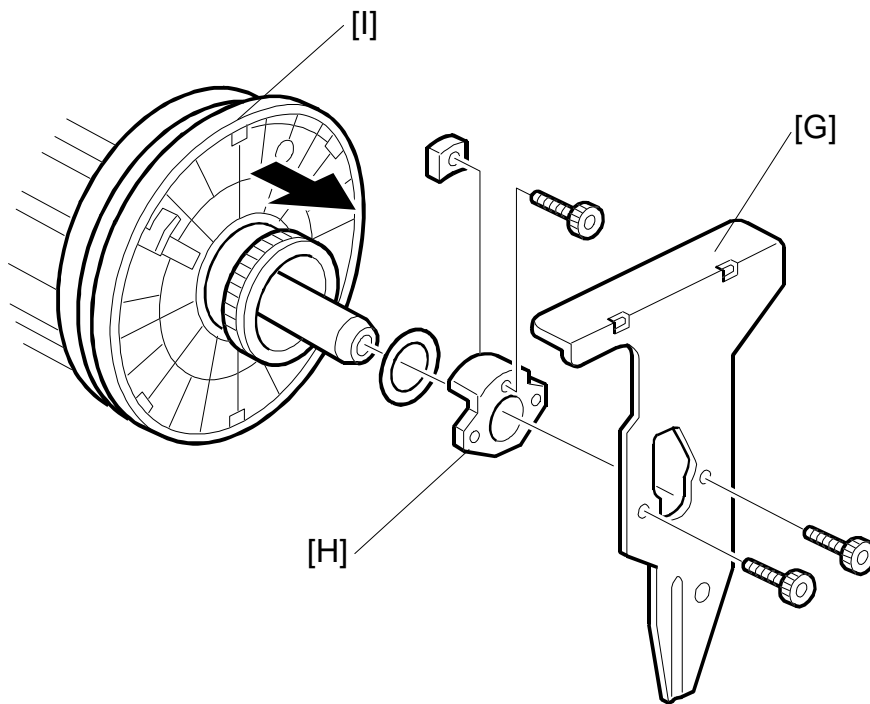
6.9.3 INK ROLLER UNIT REMOVAL

CAUTION: Never disassemble the ink roller unit. Each part between the front and rear side plates of this unit has been precisely adjusted on the production line to keep the doctor and ink rollers parallel against the drum shaft.



1. Wipe off the ink around the ink roller beforehand (to do this, remove the ink cartridge, use SP 140, enter 0, and feed paper until the ink supply ends).
2. Turn off the main switch and disconnect the power plug.
3. Remove the drum cloth and the metal screens. (See 6.9.1 Drum Cloth Screen Removal and 6.9.2 Drum Master Clamper and Metal Screen Removal.)
4. Disconnect the connectors [A] after removing the connector cover [B] (2 screws, 2 connectors).
5. Remove the ink socket [D] and the hexagon screws [C] (1 screw, 3 hexagon screws).
6. Remove the front drum bracket [E] and the front drum flange [F].

DRUM AND DRIVE SECTION



7. Remove the drum rear plate [G] (2 hexagon screws).
8. Remove the drum rear stopper [H] (1 hexagon screw).
9. Remove the drum rear flange [I].

NOTE: If the ink detection off mode has been selected with SP 140, do not forget to return it to the default (detection on).

6.9.4 DOCTOR ROLLER GAP ADJUSTMENT

PURPOSE: To control the ink thickness around the ink roller.

ADJUSTMENT STANDARD:

0.07 mm gauge: Passes

0.09 mm gauge: Does not pass

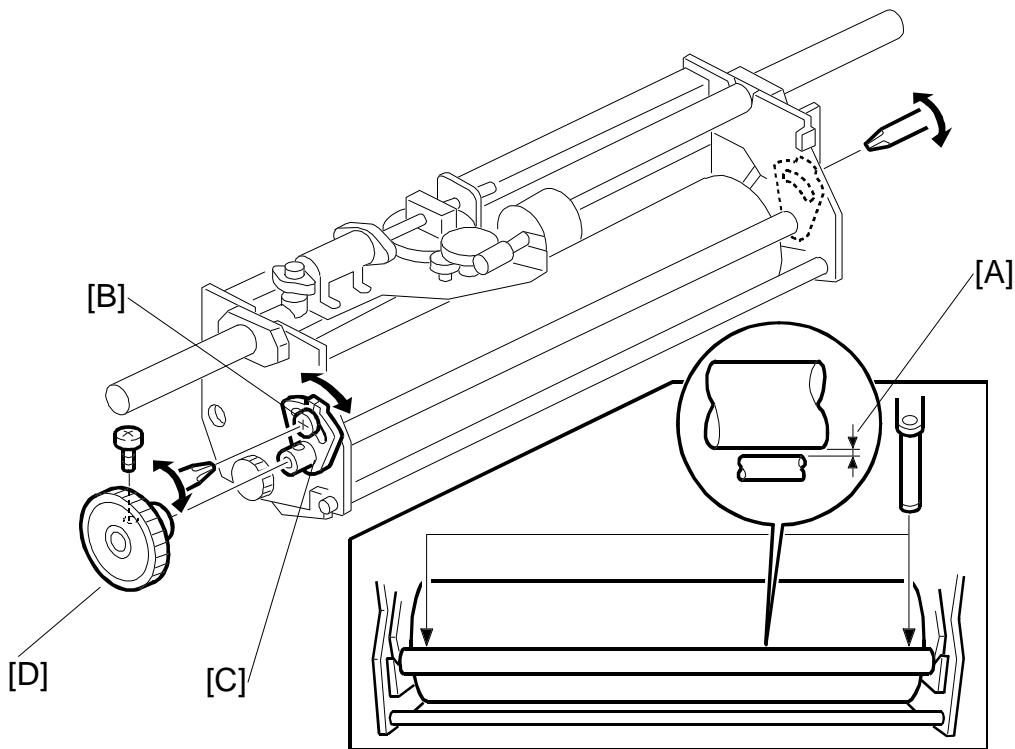
CAUTION: Normally the doctor roller gap is not adjusted or changed. It tends to be difficult to change in the field. If the gap is too narrow, an uneven image may appear on the prints. If it is too wide, too much ink will be applied to the drum screens, resulting in ink leakage from the drum.

1. Wipe off the ink around the ink roller beforehand.

NOTE: To make this procedure easier, remove the ink cartridge, use SP 140, select OFF in ink detection mode, and feed paper until the ink supply ends.

2. Turn off the main switch and disconnect the power plug.
3. Remove the drum unit, then remove the ink roller unit. (See 6.9.3 Ink Roller Unit Removal.)
4. Wipe off the ink around the ink roller and doctor roller.

DRUM AND DRIVE SECTION



5. Make sure that a 0.07 mm gap gauge goes through the gap [A] between the ink and doctor rollers, and that a 0.09 mm gap gauge does not.

NOTE: 1) The gap should be checked at both ends of the doctor roller. Insert a gap gauge at each end of the roller. The gap tends to be larger for the center.

2) While the gap gauge is inserted, hold the doctor and ink rollers with your fingers in order to stop the rollers from rotating.

3) While the gap gauge is inserted, hold the end of the gap gauge.

6. If the gap is out of the standard, after removing gear [D], loosen the screw [B] and adjust the gap by turning the cam bushing [C] for the front and for the rear.

NOTE: Make sure to repeat the adjustment for both ends of the rollers.

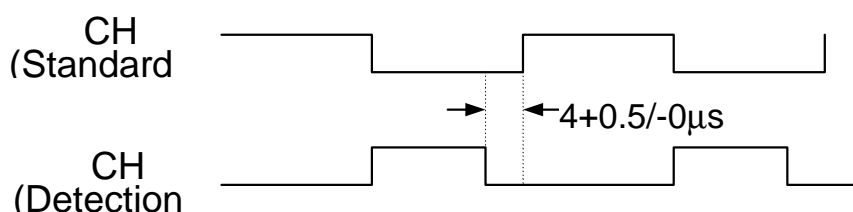
NOTE: If the ink detection off mode has been selected with SP 140, do not forget to return it to the default (detection on).

6.9.5 INK DETECTION ADJUSTMENT

PURPOSE: To ensure that the CPU detects a no ink condition.

ADJUSTMENT STANDARD:

See the following illustration.



CAUTION: This adjustment is required every time the MPU has been replaced.

1. Wipe off the ink around the ink roller beforehand (remove the ink cartridge ,use SP 140, enter 0, and feed paper until the ink supply ends).
2. Turn off the main switch and disconnect the power plug.
3. Open the scanner.
4. Remove the MPU cover (2 screws).
5. Connect the CH1 probe of an oscilloscope to TP106, the CH2 probe to TP105, and the grounding leads of both probes to TP110 (-12 volts). Select the 5-microsecond range on the oscilloscope.
6. Connect the power plug and turn on the main switch.
7. Make sure that the waveform is as shown in the illustration while the ink end indicator is lit.
8. If it is not correct, adjust the ON timing of the detection signal by turning VR101 beside the test pins.

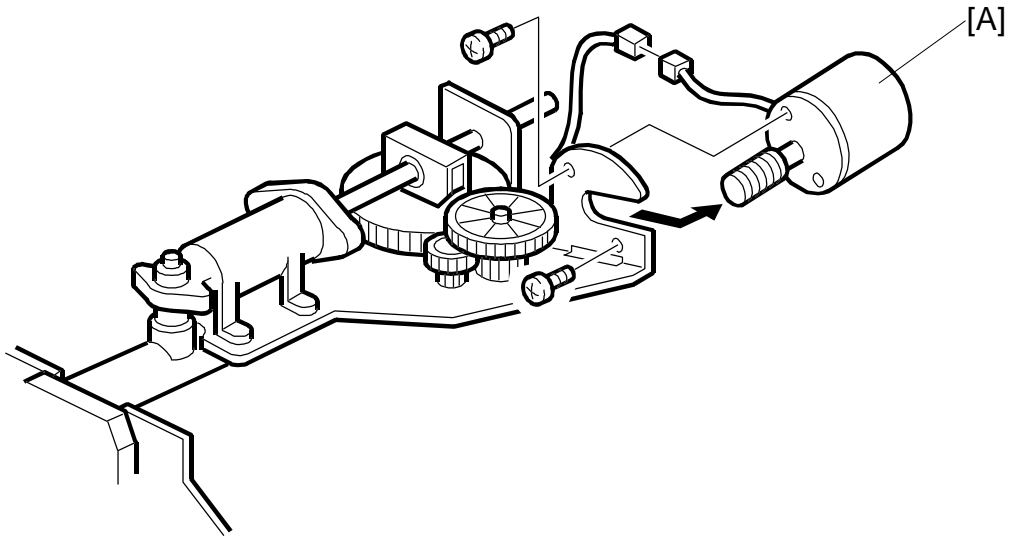
NOTE: If the standard signal is delayed with respect to the detection signal, the machine cannot detect the no ink condition. In such a case, LED101 on the MPU will light to warn of this condition.

NOTE: If the ink detection off mode has been selected with SP 140, do not forget to return it to the default (detection on).

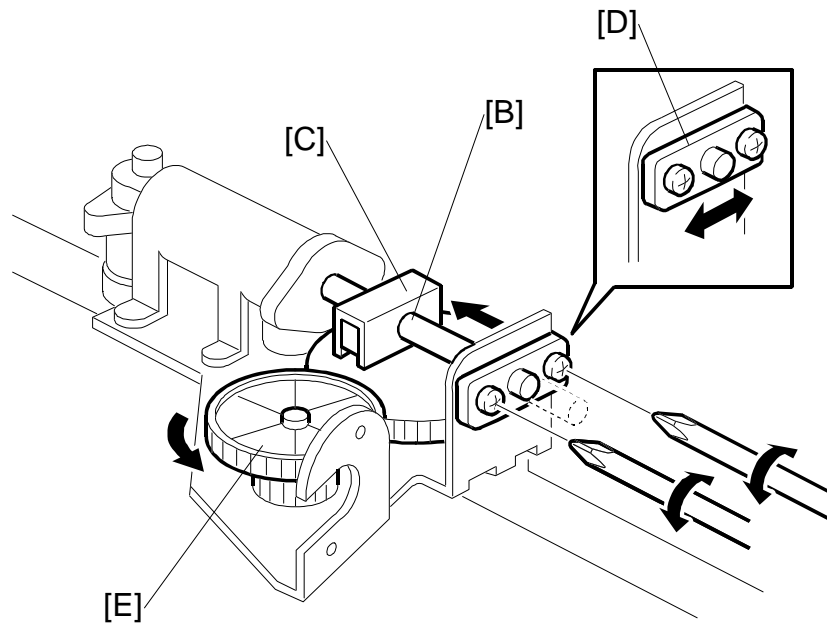
DRUM AND DRIVE SECTION

6.9.6 INK PUMP REMOVAL AND PLUNGER POSITION ADJUSTMENT

PURPOSE: To ensure the smooth operation of the ink pump plunger by properly positioning its holder.



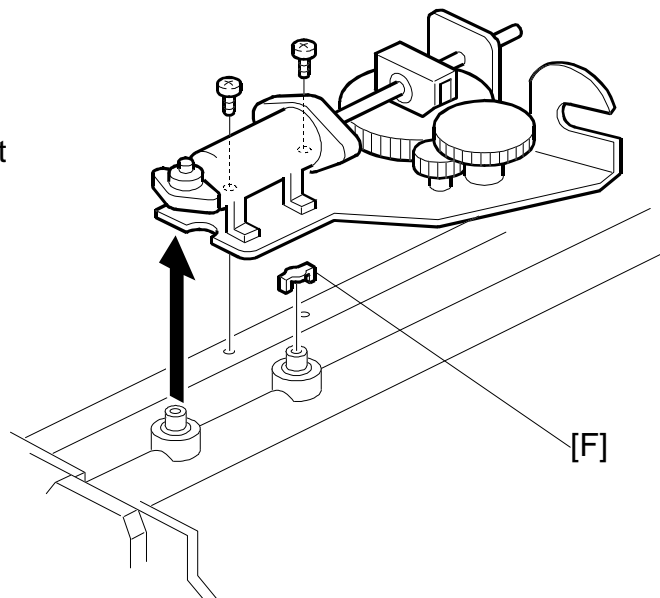
1. Turn off the main switch and disconnect the power plug.
2. Remove the drum unit.
3. Remove the drum screen. (See 6.9.2 Drum Master Clamper and Metal Screen Removal.)
4. Remove the ink supply motor [A] (2 screws, 1 connector).



5. Remove the E-ring [B] to free the plunger from the pump drive slider [C].
6. Loosen the two screws securing the plunger holder [D]. (Do not remove the holder.)
7. By turning the gear [E] manually, move the plunger until it reaches the bottom.
8. While holding the plunger holder [D], re-tighten the two screws.
9. Reinstall the E-ring [B].

- Remark for the ink pump removal -

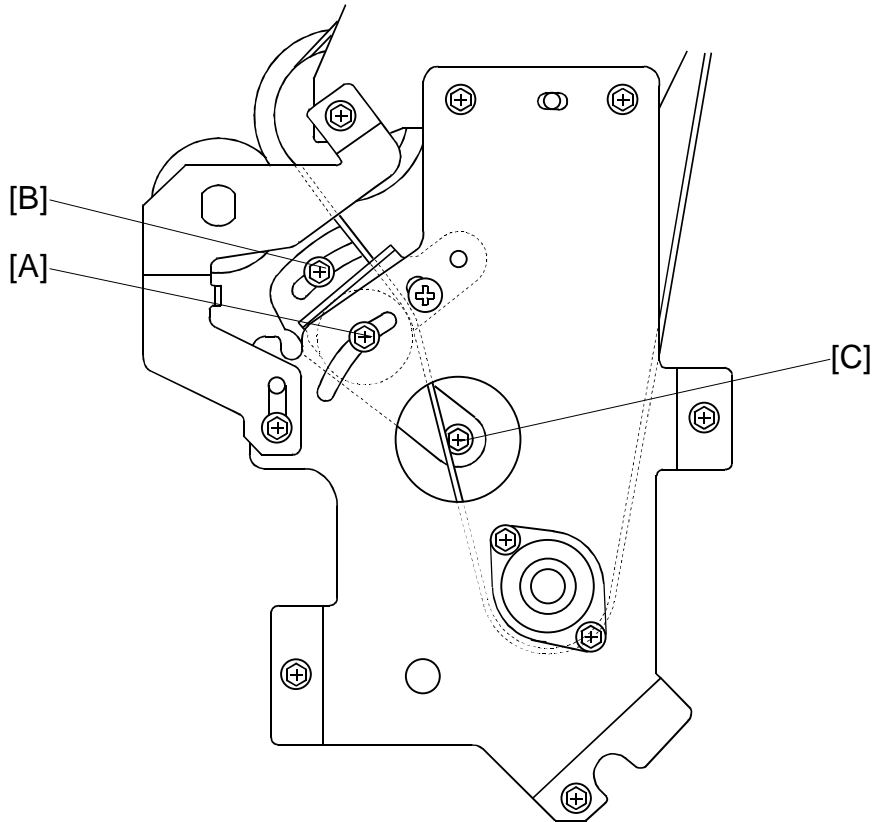
When removing the ink pump, do not lose the small metal valve [F]. When reinstalling the pump, first set the valve on the joint side as shown, then install the ink pump on the two joints.



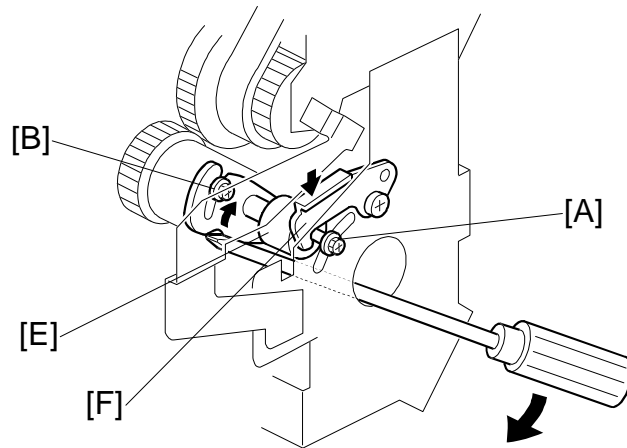
Replacement
and
Adjustment

6.9.7 MAIN DRIVE TIMING BELT TENSION ADJUSTMENT

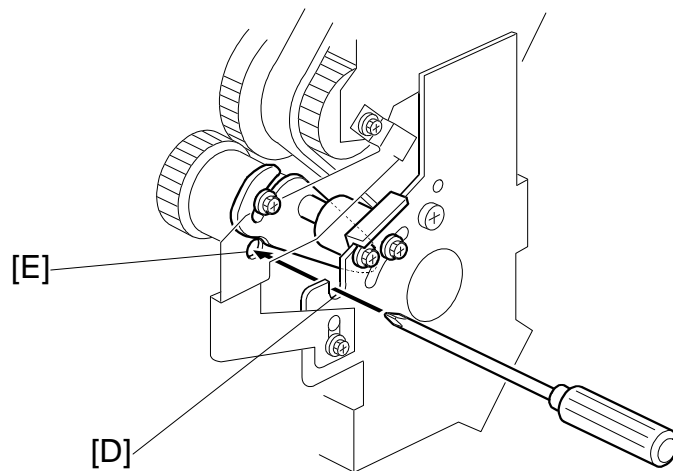
PURPOSE: After the timing belt is replaced, correct belt tension must be applied using the procedure below.



1. Turn off the main switch and disconnect the power plug.
2. Remove the rear cover (5 screws). (See 6.1.5 Other Covers.)
3. Loosen the screws [A], [B], and [C].



4. Lift up the tension roller [E] with a screwdriver as shown.
5. Hook the stopper [F] onto the shaft [A].
6. Remove the screwdriver.

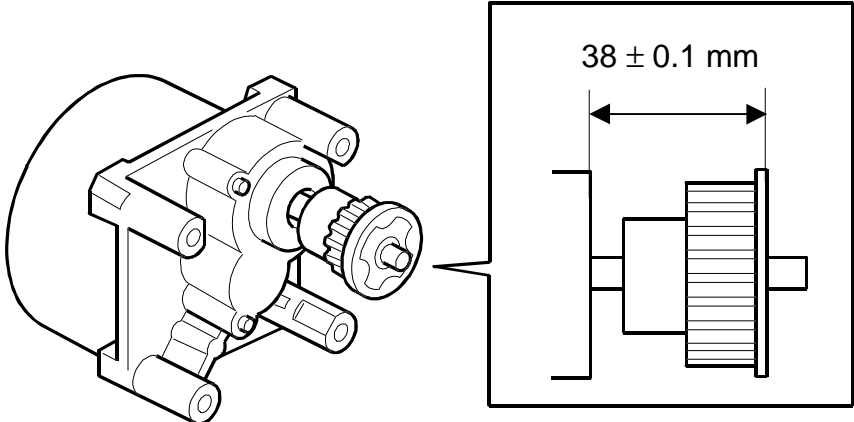


7. Insert a screwdriver through spaces [D] and [E].

NOTE: This is to set the shaft [A] in line.

8. Tighten the screws [A], [B], and [C], shown on page 6-46 in the sequence listed.
9. Remove the screwdriver.

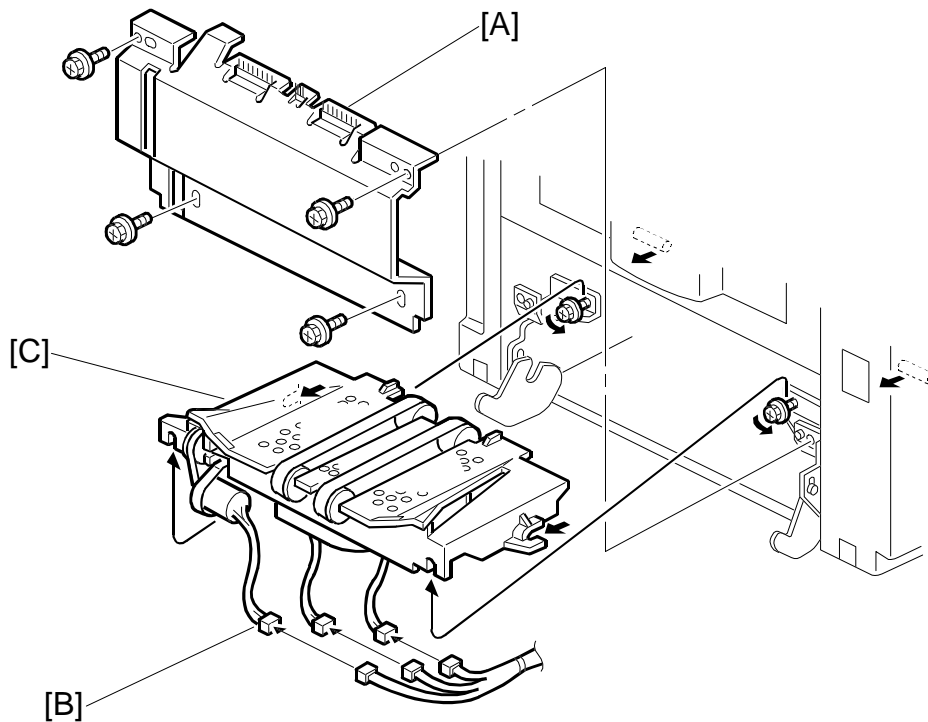
6.9.8 MAIN MOTOR PULLEY POSITION ADJUSTMENT



After installing the pulley onto the main motor shaft, refer to the above illustration for the correct position of the pulley.

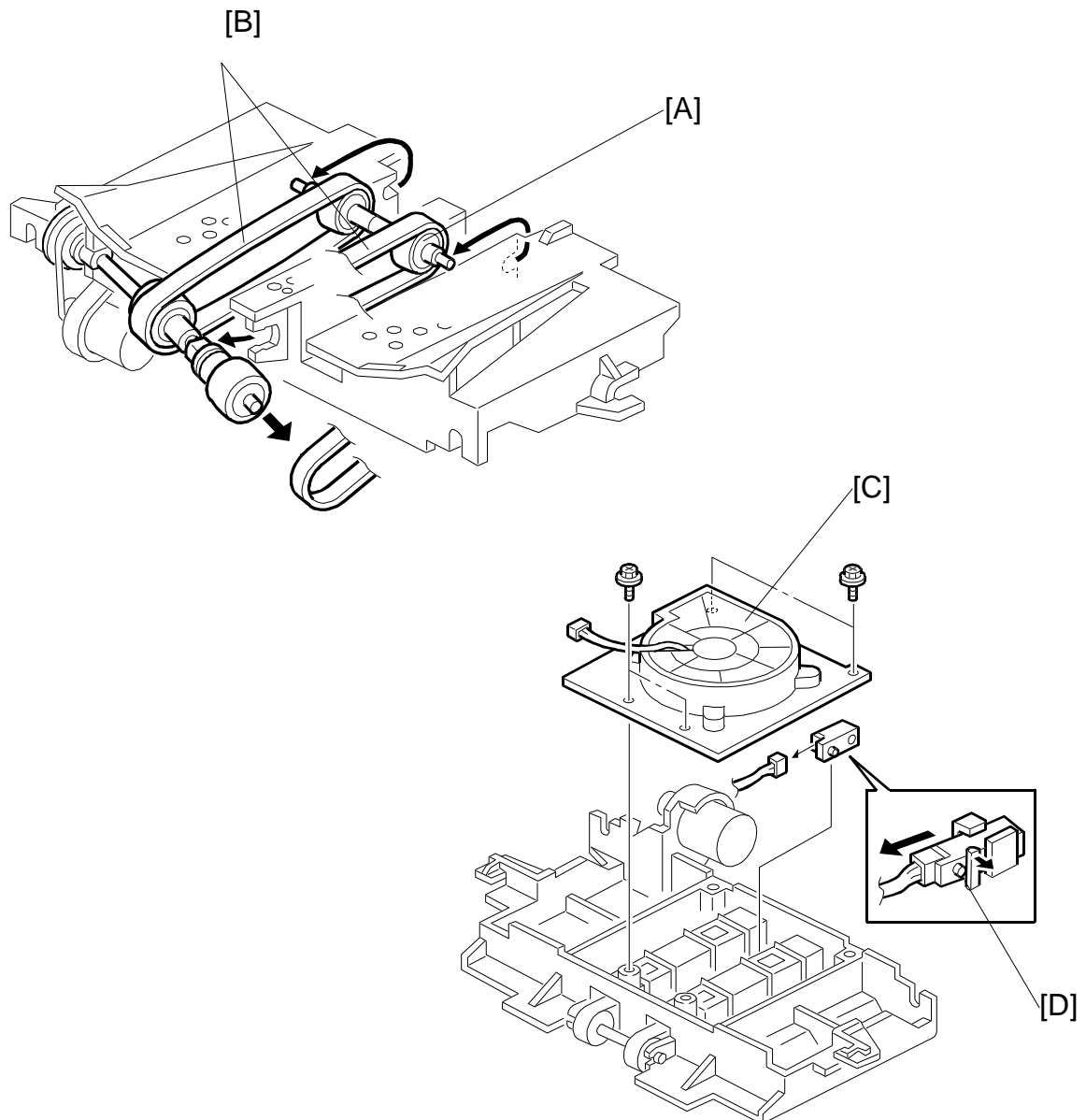
6.10 PAPER DELIVERY SECTION

6.10.1 VACUUM UNIT REMOVAL



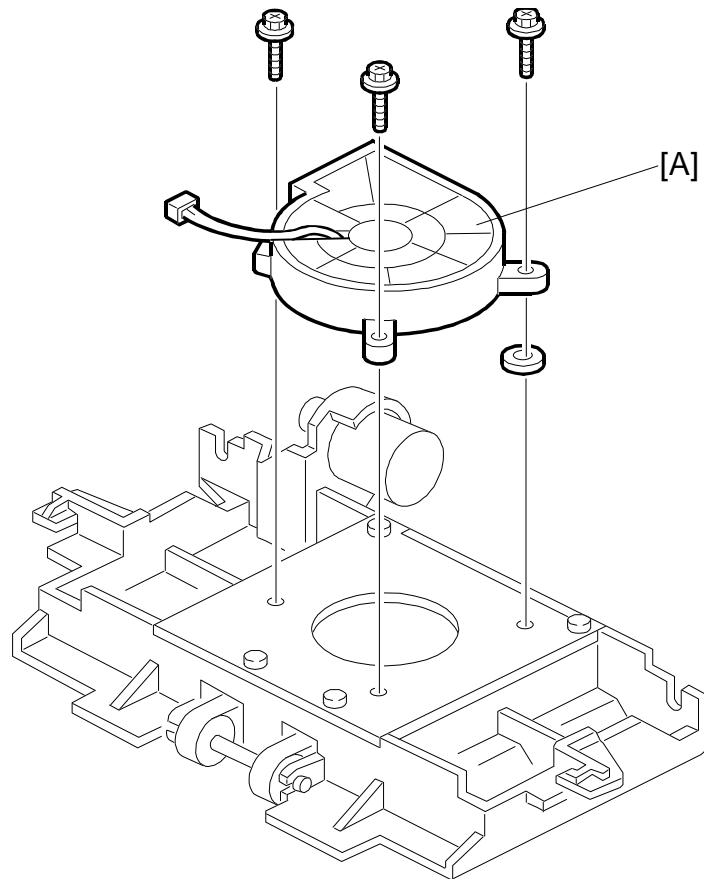
1. Turn off the main switch and disconnect the power plug.
2. Remove the paper exit table (2 screws).(not shown)
3. Remove the paper delivery cover [A] (4 screws).
4. Disconnect the 3 connectors [B].
5. Remove the vacuum unit [C] (2 screws).

6.10.2 DELIVERY BELT/PAPER EXIT SENSOR REMOVAL



1. Turn off the main switch and disconnect the power plug.
2. Remove the vacuum unit. (See 6.10.1 Vacuum Unit Removal.)
3. Remove the belt tension roller [A].
4. Remove the delivery belts [B].
5. Remove the vacuum motor assembly [C] (4 screws, 1 connector).
6. Remove the paper exit sensor [D] (1 connector).

6.10.3 VACUUM MOTOR REMOVAL



1. Turn off the main switch and disconnect the power plug.
2. Remove the vacuum unit. (See 6.10.1 Vacuum Unit Removal.)
3. Remove the vacuum motor [A] (3 screws, 1 connector).

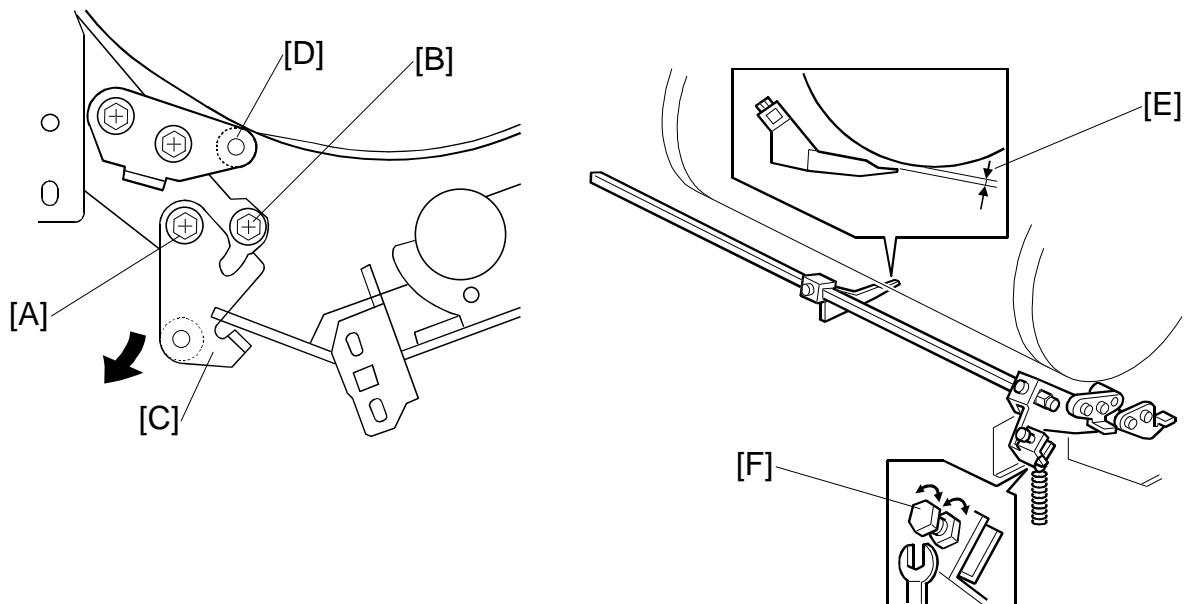
6.10.4 EXIT PAWL CLEARANCE ADJUSTMENT

PURPOSE: If the clearance is too narrow, the exit pawls may hit the drum screen and damage it. If it is too wide, paper may wrap around the drum.

ADJUSTMENT STANDARD:

1.15 (± 0.15) mm

⚠ CAUTION
When this adjustment has been performed, check the exit pawl drive timing.



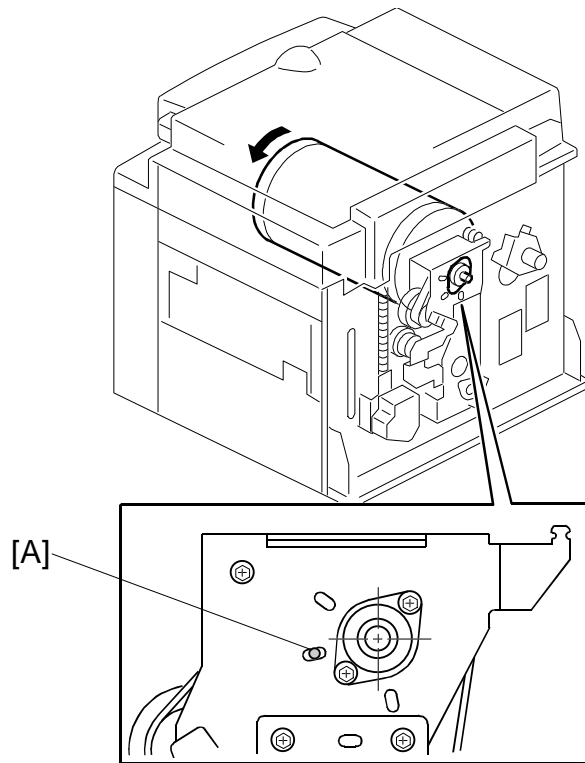
1. Turn off the main switch and disconnect the power plug.
2. Remove the drum, then remove the front cover (4 screws).
3. Reinstall the drum.
4. Loosen screw [A] then screw [B] in this order (do not remove them). Make sure that the bracket [C] becomes free from engagement and the cam follower [D] contacts the drum flange.
5. Using a gap gauge, measure the clearance [E] between the drum surface and the exit pawls. It should be between 1.0 and 1.3 mm.
6. If the clearance is not correct, loosen the lock nut. Then adjust the clearance by turning the bolt [F].
7. Reposition the bracket [C] and tighten the screws [A] and [B].

6.10.5 EXIT PAWL DRIVE TIMING ADJUSTMENT

PURPOSE: To ensure that the exit pawls can move out of the way of the drum master clasper while the drum is rotating.

ADJUSTMENT STANDARD:

0 to 0.5 mm

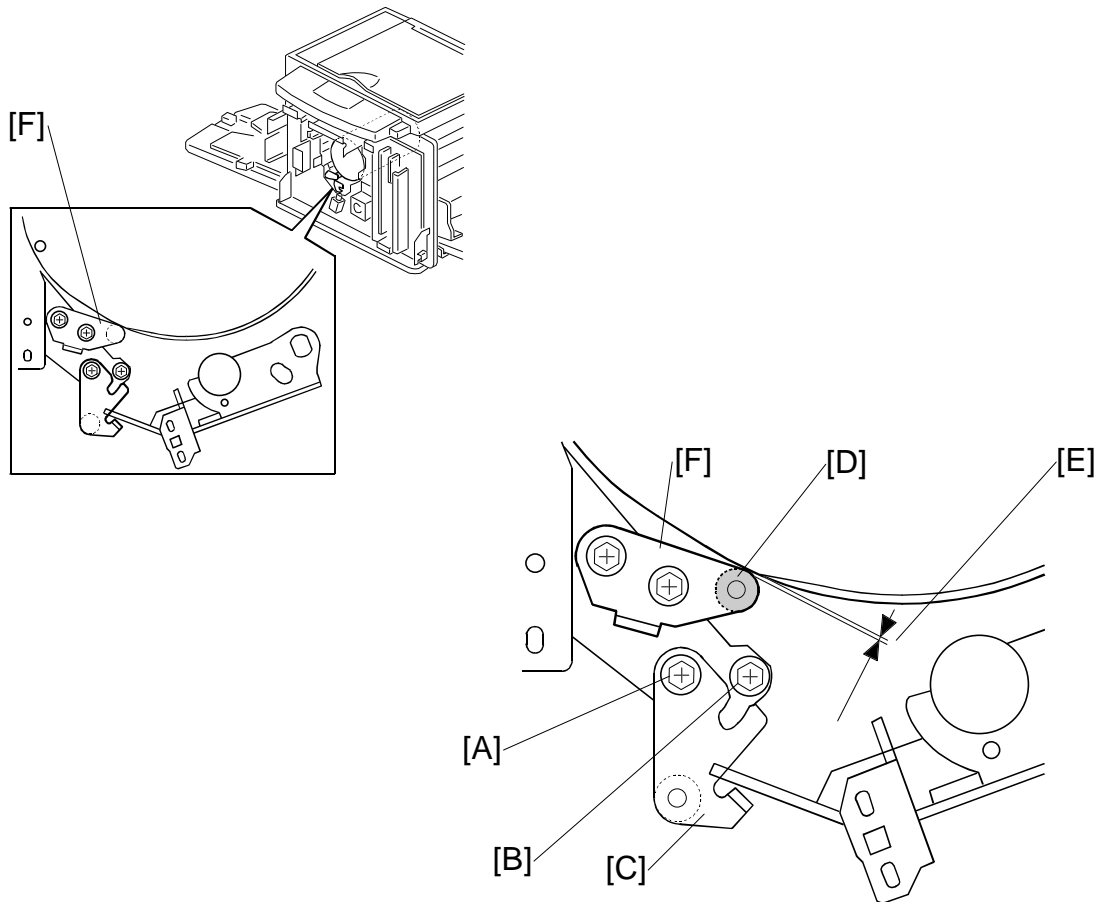


⚠ CAUTION

Before this adjustment, the exit pawl clearance from the drum must be checked.

1. Turn off the main switch and disconnect the power plug.
2. Remove the front cover (4 screws) and the rear cover (6 screws).
3. Turn the drum manually until the recess in the drum drive gear meets the long positioning hole [A] in the bracket, as shown.

PAPER DELIVERY SECTION



4. Loosen screw [A] then screw [B] in this order (do not remove them). Make sure that the bracket [C] becomes free from engagement and the cam follower [D] contacts the drum flange.
5. Measure the gap [E] between the cam follower and cam face (front drum flange). It should be 0 to 0.5 mm.
6. If the gap is not correct, loosen the two screws securing the cam follower bracket [F].
7. Retighten the two screws while pushing the cam follower against the cam face. Make sure that the gap [E] is 0 or less than 0.5 mm.
NOTE: Do not push the cam followers too strongly against the cam.
8. Reposition the bracket [C] and tighten the screws [A] and [B].

TAPE MARKER

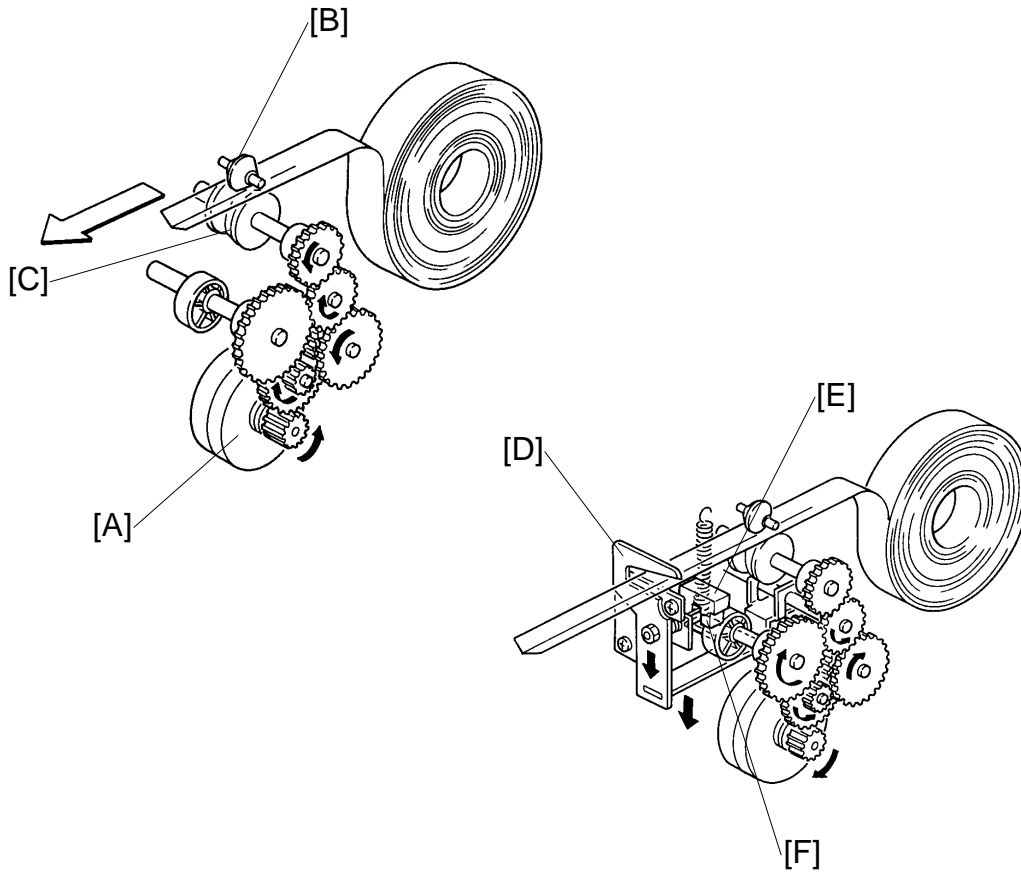
C532

1. SPECIFICATIONS

Tape Feed Length:	250 mm (9.8")
Tape Feed Speed:	100 mm/s (3.9"/s)
Tape Size:	Outside Diameter 80 mm (3.1") or smaller Inside Diameter 20 mm (0.8") or larger Width 17 mm to 18 mm (0.67" to 0.71")
Dimensions:	155 mm (W) x 105 mm (D) x 60 mm (H) (6.1" x 4.1" x 2.4")
Weight:	700 g (1.5 lb)
Power Source:	+24 VDC and +5 VDC from main body
Power Consumption:	15 W

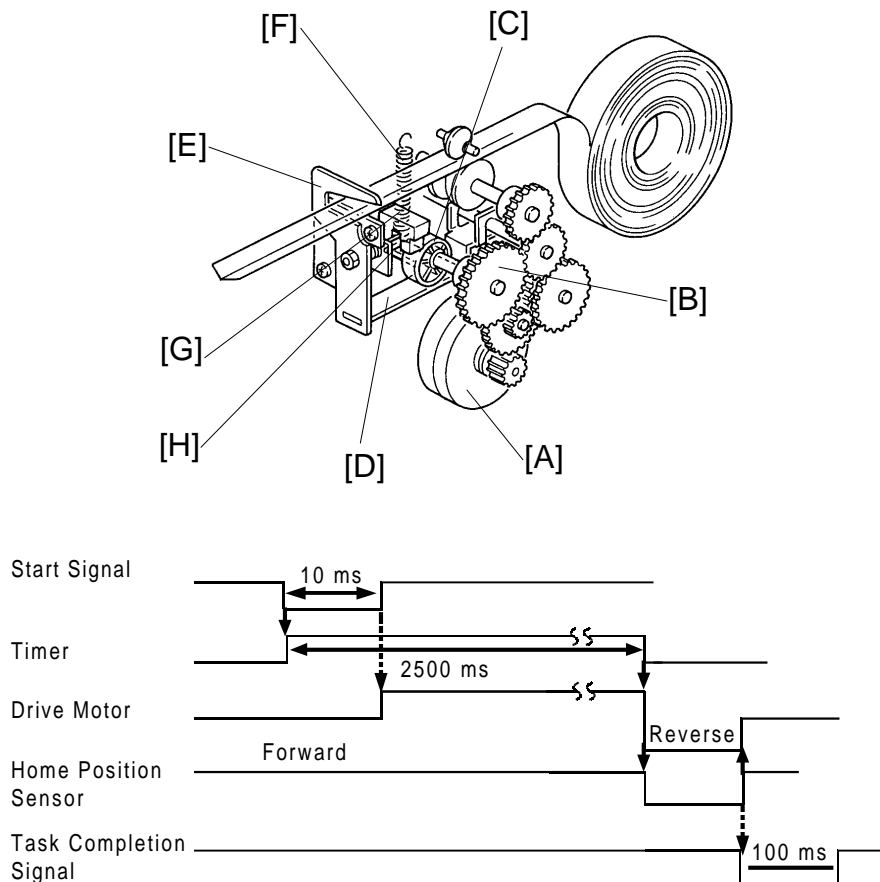
2. BASIC OPERATION

2.1 OVERVIEW



After the tape dispenser receives the start signal from the main body, the drive motor [A] rotates counterclockwise to feed out the tape. The pinch roller [B] presses the center of the tape against the feed roller [C] flexing the tape into a V shape. This keeps the tape stiff as it is fed out. After the tape has fed out the proper length, the drive motor rotates in the opposite direction (clockwise) and the cutter [D] moves down to cut the tape. After the cutter home position sensor [E] detects the cutter actuator [F], the drive motor stops and sends the task completion signal to the main body. The main body starts the next job after receiving this signal.

2.2 DRIVE AND CUTTING MECHANISM

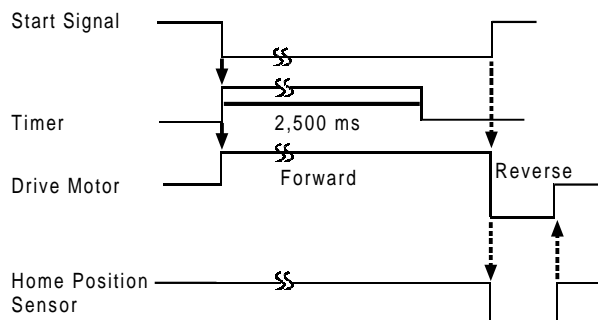
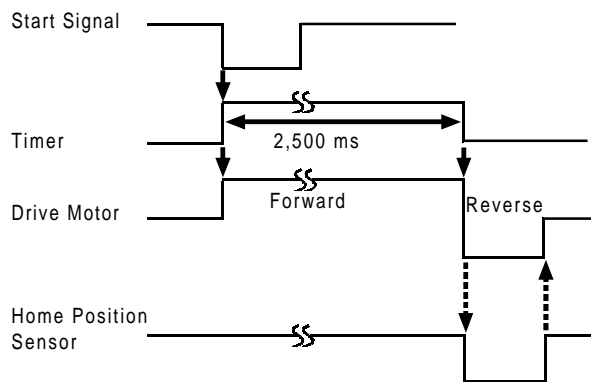
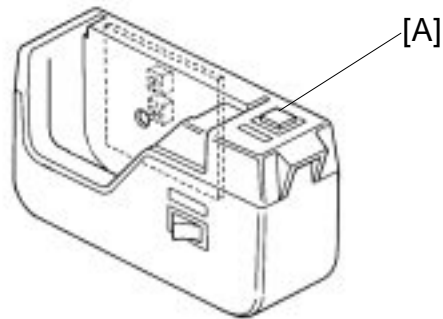


The tape dispenser uses a stepping motor, which is driven at 460 pulses per second, as a drive motor.

When the print counter of the main body becomes 0, the start signal from the main body changes from high (+5 VDC) to low (0 VDC) to start the timer on the tape dispenser board. When the start signal changes to high 10 milliseconds later, the drive motor [A] starts to rotate counterclockwise to feed tape. However, since a one-way bearing is mounted in the cam drive gear [B], the cutter cam [C] does not rotate.

The drive motor starts rotating in the opposite direction 2,500 milliseconds after the timer starts. At this time, the tape has been fed out 250 mm (9.8") from the tape dispenser. The drive motor rotates the cam drive gear clockwise and the eccentric shaped cutter cam presses down the cutter arm [D]. The cutter [E] then goes down to cut the tape. The cutter spring [F] returns the cutter to its original position. After the cutter home position sensor [G] detects the cutter actuator [H], the drive motor stops and the tape dispenser board sends the task completion signal to the main body.

2.3 MANUAL CUT

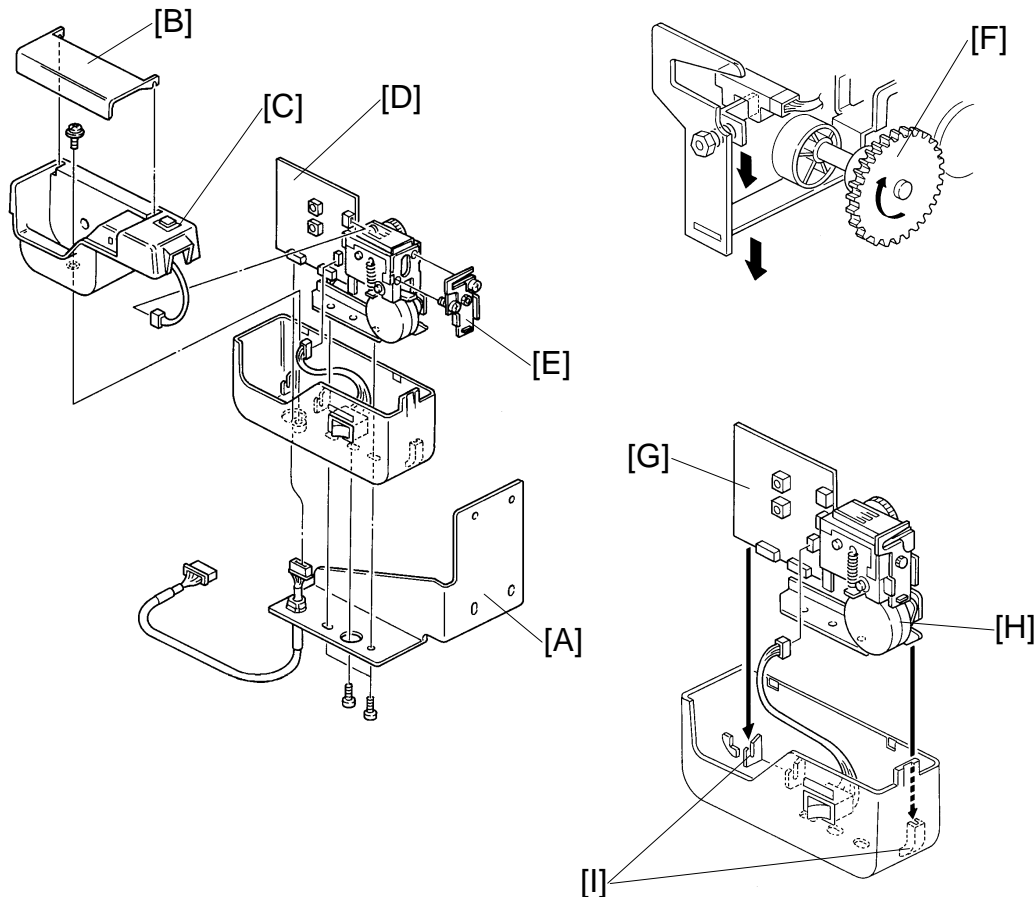


When the manual cut switch [A] is pressed, the timer starts counting and the drive motor starts feeding tape. 2,500 milliseconds later, the drive motor reverses to cut the tape.

If the manual switch is pressed longer than 2,500 milliseconds, the tape continues to be fed out until the manual switch is released. Afterward, the motor reverses to cut the tape.

3. REPLACEMENT AND ADJUSTMENT

3.1 CUTTER REPLACEMENT

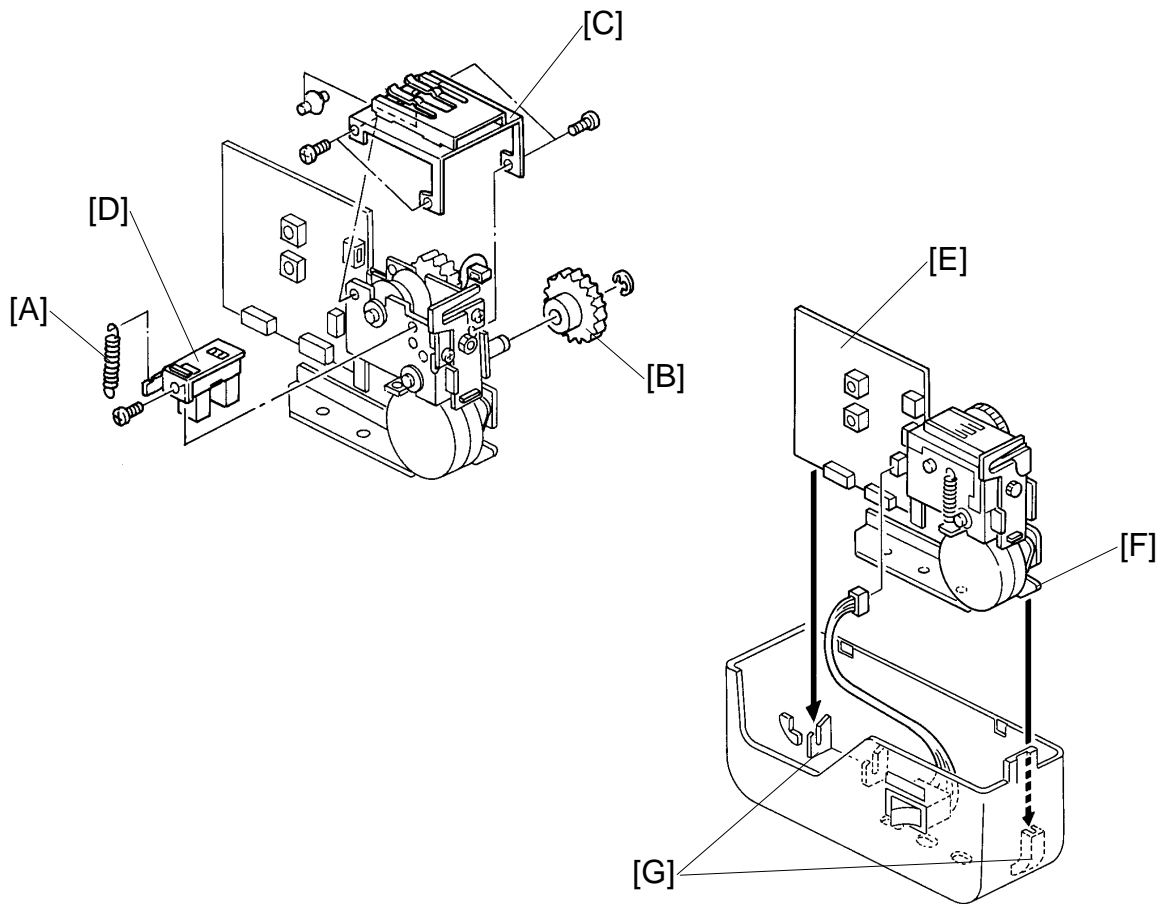


1. Remove the tape dispenser from the main body. (1 connector, 2 screws)
2. Remove the support bracket [A]. (3 screws)
3. Remove the tape dispenser cover [B] and the upper housing [C] (1 screw, 1 connector)
4. Remove the tape dispensing assembly [D]. (2 connectors)
5. Replace the cutter assembly [E]. (2 screws)

NOTE: Make sure that the cutter moves smoothly by rotating the cam drive gear [F] clockwise manually after the replacement.
6. Reassemble the tape dispenser.

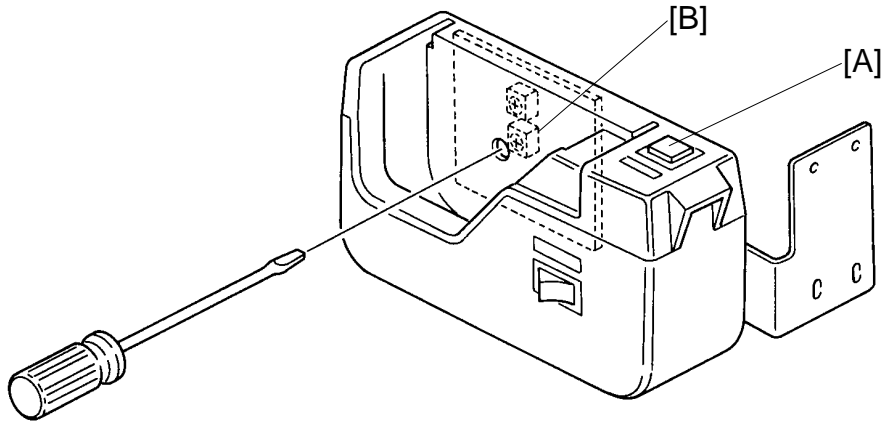
NOTE: Make sure that the tape dispenser board [G] and the tape dispensing bracket [H] are positioned in lower housing slots [I].

3.2 CUTTER HOME POSITION SENSOR REPLACEMENT



1. Remove the tape dispensing assembly. (See steps 1 to 4 on of " 3.1 CUTTER REPLACEMENT".)
2. Unhook the cutter spring [A].
3. Remove the cam drive gear [B]. (1 E-ring)
4. Remove the pinch roller support bracket [C]. (4 screws)
5. Remove the cutter home position sensor assembly [D] and replace the sensor. (1 screw, 1 connector)
6. Reassemble the tape dispenser.
NOTE: Make sure that the tape dispenser board [E] and the tape dispensing bracket [F] are positioned in lower housing slots [G].

3.3 TAPE CUT LENGTH ADJUSTMENT



Adjustment standard : 250 mm \pm 15 mm

1. Turn on the main body and the tape dispenser main switches.
2. Press the manual cut switch [A].
NOTE: Do not press the switch longer than 2.5 seconds.
3. Measure the tape length.
If the tape is longer than 250 mm, turn VR2 [B] counterclockwise.
If the tape is shorter than 250 mm, turn VR2 clockwise.

CAUTION

Do not turn VR1. It is for factory adjustment only.

**PCRIP-EZ1
GDI/QuickDraw**

Priport Controller

User's Guide

TABLE OF CONTENTS

INTRODUCTION	1
SYSTEM REQUIREMENTS	1
HARDWARE INSTALLATION	2
Cabling	2
Parallel Connection.....	2
AppleTalk Connection.....	2
PRIPORT CONTROLLER CONFIGURATION.....	3
Factory Settings.....	3
Controller Configuration Program	3
CONFIGURATION OF IBM PC AND COMPATIBLES	3
WINDOWS 3.1 AND WINDOWS 95 CONFIGURATION	4
CONFIGURATION FOR MACINTOSH COMPUTERS	6
APPLICATION SOFTWARE SET-UP.....	7
1. GDI Printing under Windows 3.1.....	7
2. GDI Printing under Windows 95	12
3. QuickDraw Printing on the Macintosh.....	17
PRIPORT CONTROLLER OPERATION	18
1. Power-On/Power-Off Sequence	18
2. Front Panel Indicator Lights	18
3. Ready Light	18
4. Copy Setting, Page Size Selection and Image Overlay Functions	18
5. DigiPrint Monitor Function (Macintosh only).....	19
COMMONLY ASKED QUESTIONS.....	21
TROUBLESHOOTING	23
APPENDIX A – DIAGNOSTIC STATUS PAGE.....	25
APPENDIX B – DIGIPRINT MONITOR STATUS CODES	25

**This User's Guide was printed using a Priport Controller
connected to a Priport Digital Duplicator.**

REGULATORY NOTICES

FCC REGULATIONS

This device complies with Part 15 of the FCC Rules. Operation is subject to the following two conditions: (1) this device may not cause harmful interference, and (2) this device must accept any interference received, including interference that may cause undesired operation.

VDE

Hiermit wird bescheinigt, daß Priport Controller PCRIP-EZ1 DIN-VDE-Norm bzw. EN-Norm bzw. BMPT-Amtsbl. Vfg 243/1991 funkentstört ist.

Dem Zentralamt für Zulassungen im Fernmeldewesen wurde das Inverkehrbringen dieses Gerätes angezeigt und die Berechtigung zur Überprüfung der Serie auf die Einhaltung der Bestimmungen eingeräumt.

TRADEMARKS

© 1997 Elesys, Inc. All rights reserved. Elesys is a registered trademark of Elesys, Inc.

Governmental rights to this product are restricted. See license agreement.

The following is a list of trademarks and their respective manufacturers: PowerPage by Pipeline Associates, Inc., Adobe and PostScript are registered trademarks of Adobe Systems, Inc., Intel by Intel Corp., Hewlett-Packard, LaserJet and PCL-5 by Hewlett-Packard Company, IBM by International Business Machines Corp., Apple, Macintosh, LaserWriter and AppleTalk by Apple Computer, Inc., Intellifont by Agfa Corp., DigiPrint by Computer:applications, Inc. Product names mentioned herein may be trademarks and/or registered trademarks of their respective companies.

INTRODUCTION

The Priport Controller is an external raster image processor designed to add a computer interface to Priport Digital Duplicators. Since it is separate from the Priport, the designers were able to use high-speed techniques making it one of the fastest add-on processors available.

The Controller uses a high-speed 25-megahertz Intel 960-CA RISC microprocessor chip to achieve its high speed processing. In addition, the PCRIP-EZ1 Controller contains 4 Megabytes (MB) of RAM that can be upgraded to 8 MB or 16 MB.

This program features Computer:applications, Inc. DigiPrint™ software for both PC and Macintosh platforms. The DigiPrint drivers for Windows 3.1 and Windows 95 on the PC support the Graphic Device Interface (GDI) and all True Type Fonts. The DigiPrint Driver for the Macintosh supports system fonts and True Type fonts. Utility and Monitor programs for the Macintosh are also provided.

The PCRIP-EZ1 Controller is a GDI controller, that is, it does not recognize PCL or PostScript.

The Controller supports several models of Priport Digital Duplicators with print resolutions from 300 dots per inch (dpi) to 400 dpi. The U.S. page sizes supported by the Priport Controller are US Letter, US Legal and US 11 x 17. Supported international page sizes are A3, A4, B4 and B5.

We reserve the right to make amendments to the technical specifications and/or the external appearance of the equipment without prior notice.

SYSTEM REQUIREMENTS

Supported Priports:

- Models VT1730, VT1800, VT2105, VT2200, VT2250, VT2400, VT2600, VT3500, VT3600, VT3800 and JP1030

Compatible computers:

- IBM 486, Pentium and compatible PC's
- Apple Macintosh Peforma 630 or higher

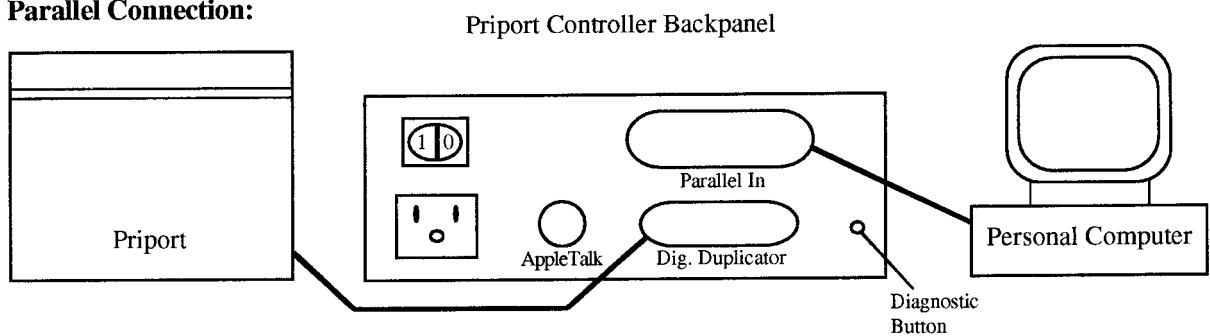
Memory requirements:

- This Priport Controller requires 8Mb of the RAM in the PC or Macintosh.

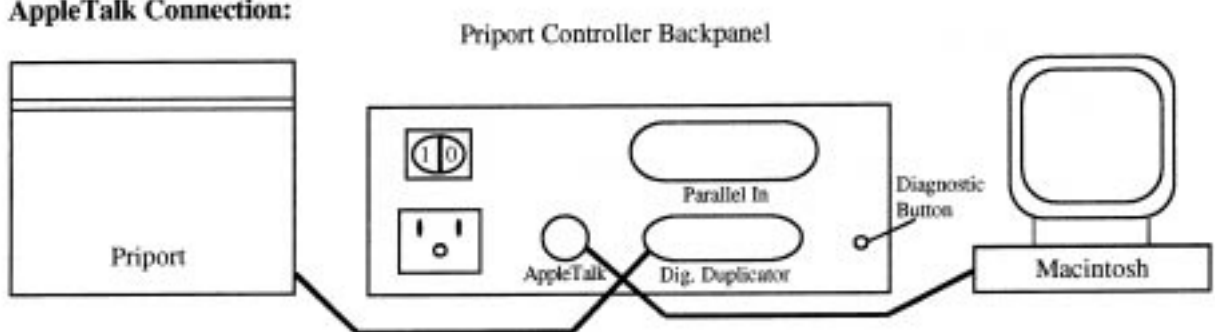
HARDWARE INSTALLATION

1. The Controller connects the Priport to the computer using cables. (The computer and Priport are not directly connected to each other.) The inputs to the Priport Controller replicate those of a standard printer, including Parallel and AppleTalk® inputs. For the PC, the required cable is a standard IBM-PC parallel printer cable that is not included with the Controller. The Macintosh is connected to the AppleTalk port using a standard AppleTalk/LocalTalk or AppleTalk/PhoneTalk cable that is **not** included with the Controller.
2. The Controller is connected from the Priport port on its backpanel to the input port on the back of the Priport. The required cable is a special DB-25M to DB-25F cable that is included with the Controller.
3. Cabling Diagrams:

Parallel Connection:



AppleTalk Connection:



PRIPORT CONTROLLER CONFIGURATION

1. Factory Settings:

The Controller comes preset with the following factory defaults:

- Input Buffers: Parallel Inputs - 256 KB
AppleTalk - Not applicable
- Page Size: US Letter (8-1/2" x 11") in US and Canada
A4 (210mm X 297mm) for International
- Mode: Windows Graphical Device Interface (GDI) and
Macintosh QuickDraw (QD)

2. Controller Configuration Programs:

Two utility diskettes have been provided with the Controller: One 3 1/2" for IBM and compatible computers and one 3 1/2" for Apple Macintosh computers. Each of these configuration programs allows you to change the factory settings of the Controller (including the ones listed above) until the next power down of the Controller or permanently if desired.

NOTE: See Step 9 on page 5 on how to save configuration changes you have made using the PC Configuration Program. See Step 5-6 on page 6 on how to save configuration changes you have made using the DigiPrint Utility for the Macintosh.

CONFIGURATION OF IBM PC AND COMPATIBLES

The vast majority of users will never need to use the configuration program to change the factory default settings listed above.

The most likely uses for the configuration program will be to change input buffer size (if connected to a PC), print the diagnostic status page or a test file, enable/disable AppleTalk (if connected to PC only), save configuration changes or change the default table. If there is a need to change the configuration, the menu-driven program has been designed to be very simple to use. When the initial configuration is completed and saved, you should rarely need to use this program disk again.

Due to changes in the firmware and driver for the PCRIP-EZ1, it is no longer necessary to change the paper size settings with the configuration program design as it was with the PCRIP-10 Controller. The driver will automatically transmit the page size selected in the document to the controller. The inter-job timeout value needs to be changed only if both a PC and a Macintosh are connected to one Controller.

WINDOWS 3.1 AND WINDOWS 95 CONFIGURATION

- Step 1. Insert the Utility Disk in drive A.
- Step 2. In Windows 3.1 Program Manager, under **File**, select **Run**. In Window 95, go to **Setting, Control Panel** and double click on the **Add/Remove Programs** icon. Type or confirm "**a:\setup**" when prompted for the Program name and click **OK**. Follow the instructions in the Setup program. A new Program group named Controller Configuration will be created with one program icon that represents the PCRIP-EZ1 Configuration.

- Step 3. Double click on the PCRIP-EZ1 Configuration icon. The program will ask for you to hit any key to continue. The following Menu Bar will appear across the top of the screen:

File Page Install PC Port InputBufrs Special Help Quit

The "**Help**" Menu item explains the general function of each item in the menu bar. The first item on each of the pull-down menus is context-sensitive help. This item describes the functions of all the other items available on whatever pull-down menu you have open.

- Step 4. Using the right arrow key, highlight "**PC Port**" and <ENTER>. Menu items are: **Printer Port LPT1, Printer Port LPT2, Printer Port to LOG file, and Printer Port to NULL.**
- Step 5. Use the up or down arrow keys to highlight the correct PC output port and <ENTER>. A cable connects the Controller to a physical port on the back of the computer. The port selection should match the name of this physical port. Any selection from any menu will move you back up to the main menu bar.
- Step 6. Using the left arrow key, highlight the "**Install**" pull-down menu and <ENTER>. Menu items are: **Enable AppleTalk, Disable AppleTalk, Reset to Factory Config, Print Test File, Print Diagnostic Status Page, Save Configuration Changes.** You may use items from this menu to turn AppleTalk on or off, reset the Controller back to the original factory settings, print a test page, print the diagnostic status page, or permanently save the configuration settings you have made during this session. Use the up or down arrow keys to highlight your choice and <ENTER>.
- Step 7. Using the left arrow key, highlight the "**Page**" pull-down menu and <ENTER>. Menu items are: **Page Size A4, Page Size A4 (Short Drum), Page Size A3, Page Size B4, Page Size B5, US Letter, US Letter (Short Drum), US Legal, US 11 X 17.** Normally you will not need to make any changes here since the PCRIP-EZ1 Controller printer drivers automatically select page size.

- Step 8. Using the right arrow key, highlight the "**InputBufrs**" pull-down menu and <ENTER>. Menu items are:
- Parallel Input Buffer Size = 0K, Parallel Input Buffer Size = 128K,
Parallel Input Buffer Size = 192K, Parallel Input Buffer Size = 256K,
Parallel Input Buffer Size = 512K.**

You may also want to change the input buffers if you are connected to a PC. The larger the input buffer, the faster your print job will be processed; however, there is a limited amount of memory to be allocated to input buffers. If you have problems printing a A3/11x17 document with a PCRIP-EZ1, try changing the input buffer size to 512K or upgrading the memory size.

Step 9. Using the right or left arrow, highlight the **"Install"** pull-down menu and <ENTER>. Use the down arrow key to select **"Save Configuration Changes"** and <ENTER>. When all the configuration changes are completed, you must decide if you want to make them permanent. If you do not complete this step, any changes you have made during this session will be lost the next time the Controller is turned off. If you do complete this step, the Controller will remember any changes you have made through all power cycles. **You can change and save the configuration settings of the Controller as often as you wish.**

The two remaining Main Menu items, **"File"** and **"Special"**, provide functions that may be useful during setup or reconfiguration of the Controller.

- The **"File"** menu has the following items: **Print a File, Eject a Page, Info About this Program and Quit (Exit) this Program**. Use the **"Print a File"** command before saving or exiting the program to test the configuration. Use the **"Eject Page"** command to clear the Input Buffer of the Controller or to create a master for a blank page. Choose **"Info About this Program"** to check the revision number of the EZ1 program currently installed.
- The **"Special"** menu has the following items: **Set Inter-Job Timeout Value and Set Default Table**. The factory default setting for Inter-Job Timeout Value is 20 seconds. **The inter-job Timeout value applies only if more than one computer is connected to the Controller.** In this case, if the current print job has paused longer than the Inter-Job Timeout Value and another computer's print job is waiting, the Controller assumes that current print job is stalled and will terminate it, giving control to the new print job. Since graphics-intensive print jobs often may pause longer than 20 seconds while transferring data to the Controller, you may want to use the **"Set Inter-Job Timeout Value"** menu item to increase the timeout value. We recommend increasing the value to 120 seconds or greater. The optimal time for your computer's setting will depend on its speed and how graphics-intensive your print jobs are. **"Set Default Table"** applies a set of factory default configurations.

CONFIGURATION FOR MACINTOSH COMPUTERS

The "DigiPrint Utility" and several small configuration files are found in a folder named "DigiPrint Utility" on the PCRIP-EZ1 Controller Macintosh Disk. These small files contain the commands for changing the output page size, printing the diagnostic status page, saving configuration changes permanently and naming your Controller. (Naming your Controllers is necessary to distinguish between multiple Controllers connected to the same AppleTalk network.) Copy the entire DigiPrint Utility folder onto your hard disk for ease of access.

- The most frequently used page size may be selected and saved for a small print-speed improvement. The choices are "A4 page size", "A3 page size", "B4 page size", "B5 page size", "A4 (wide feed edge)", "US Letter page size", "US Legal page size", "US 11 x 17 page size", and "US Letter (wide feed edge)". If you have changed the output page size and wish to retain that change as the Controller's power-on default, you will also need to use "Save Configuration Changes."
- If you wish to verify that the page size selection within the Controller is correct, you can select "Print Diag Status Pg". This file will generate a one-page printout of the current Controller settings. See Appendix A for an example of this Diagnostic Status Page output.
- If you have more than one EZ1 Controller installed on an AppleTalk network, you will need to rename each Controller so that AppleTalk can distinguish between the Priports. If you only have one EZ1 Controller and Priport installed on the AppleTalk network, you will not need to use these files unless you wish to personalize the name.

Step 1. Insert the PCRIP-EZ1 Macintosh Disk in the drive and double click on the floppy icon to open it.

Step 2. Open the DigiPrint Utility folder by double clicking on it. Then double click on the DigiPrint Utility icon. When the program comes up, make sure the large button labeled **Printers** in the center of the window says **DigiPrint**. If it says **PostScript**, then click the down arrow and select DigiPrint.

Step 3. The DigiPrint Utility will display all devices in the current AppleTalk zone (similar to the display in the Chooser). Click on the desired Priport model. If there is only one Controller, there should be only one Priport entry displayed.

NOTE: The PCRIP-EZ1 Controller is a different device type than a LaserWriter printer. Only DigiPrint type devices will be displayed when **DigiPrint** is selected. To see any connected LaserWriter type devices (including PCRIP-10), you must either select **PostScript** on the utility menu or select the LaserWriter driver in the Chooser. If you select **PostScript** within the DigiPrint Utility, you will need to re-select **DigiPrint** to see any PCRIP-EZ1 Controllers.

Step 4. If you wish to personalize the name of a Controller, point and click to select the desired printer and then click on the **Rename Printer** button. The program will prompt for the new name. Type the new name and click **OK**. This new name will now appear in the right hand window as well as the DigiPrint driver and status monitor.

Step 5. To make other configuration changes, click on the **Download File** button. Then point and click to select the file that will make the desired configuration.

Step 6. Click **OK**. If you wish to make any other changes, start again at Step 5. If you are finished making or saving the configuration changes, click on the button in the upper left corner of the DigiPrint Utility window to close.

APPLICATION SOFTWARE SET-UP

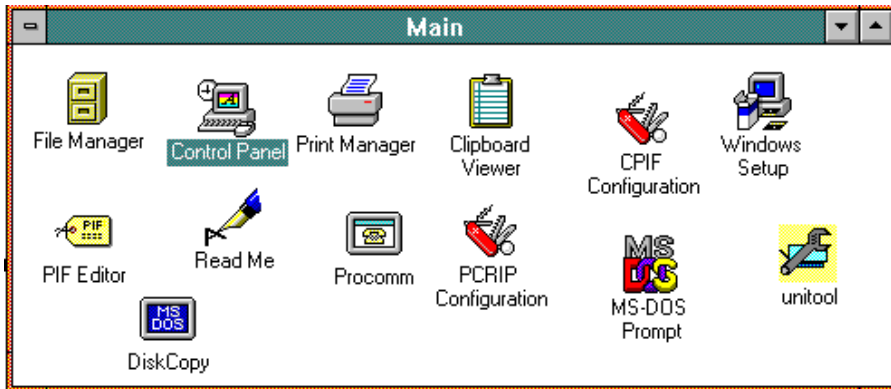
Each desktop publishing or word processing application needs to use the custom printer drivers for Graphic Device Interface (GDI) and QuickDraw (QD) printing provided on the utility disks with the Controller. These DigiPrint drivers are installed into the Windows 3.1, Windows 95 or Macintosh system folder using the following procedures:

1. GDI Printing under Windows 3.1

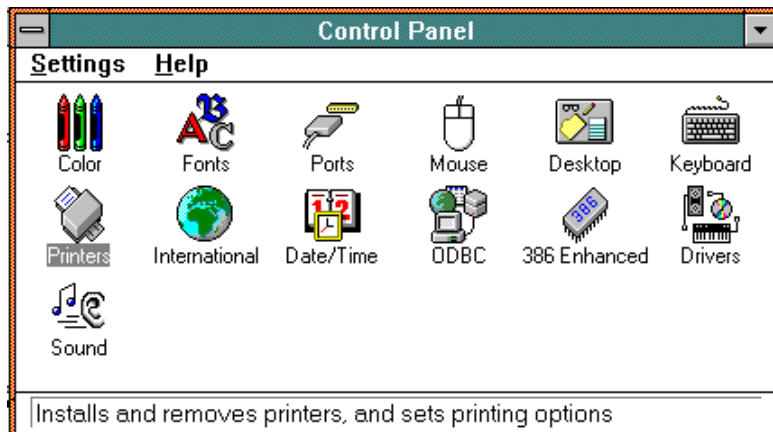
Customized Driver Installation for Windows 3.1:

- A. Open Program Manager. Double click on **Main**.

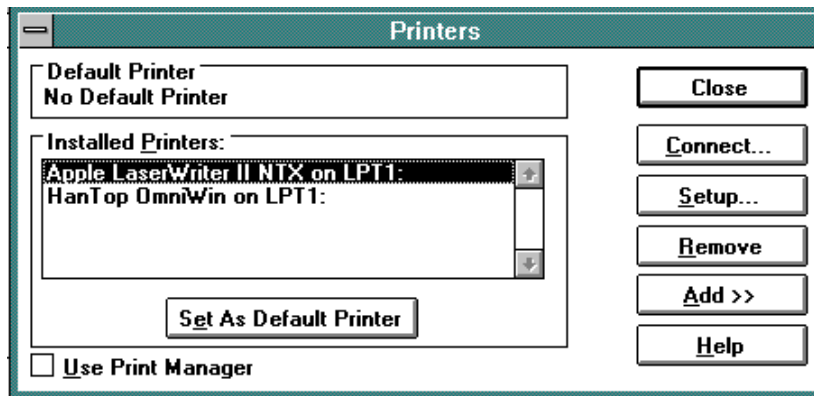
- B. Double-click on **Control Panel**.



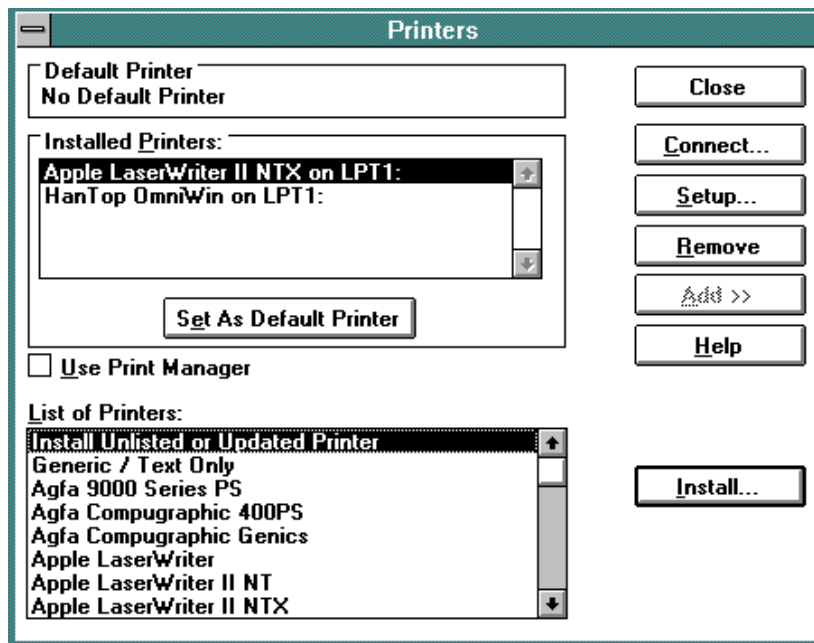
- C. Double click on **Printers**.



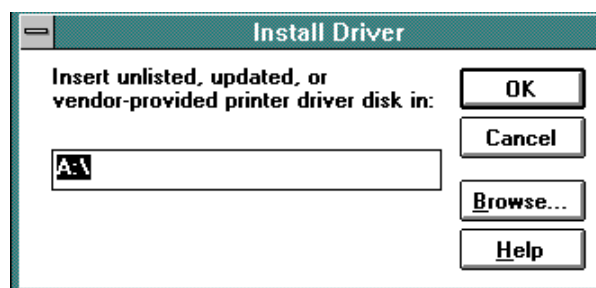
- D. Click on **Add**.



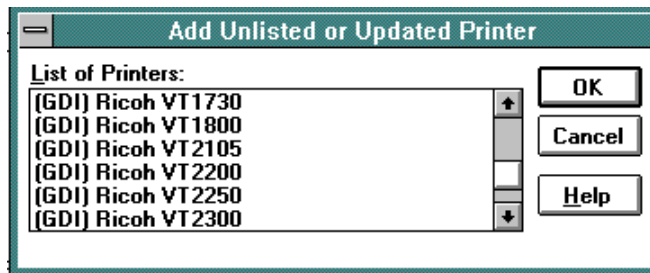
- E. In the "List of Printers" dialog box, which will appear on the lower half of the screen, highlight: **Install Unlisted or Updated Printer**. Click on **Install**.



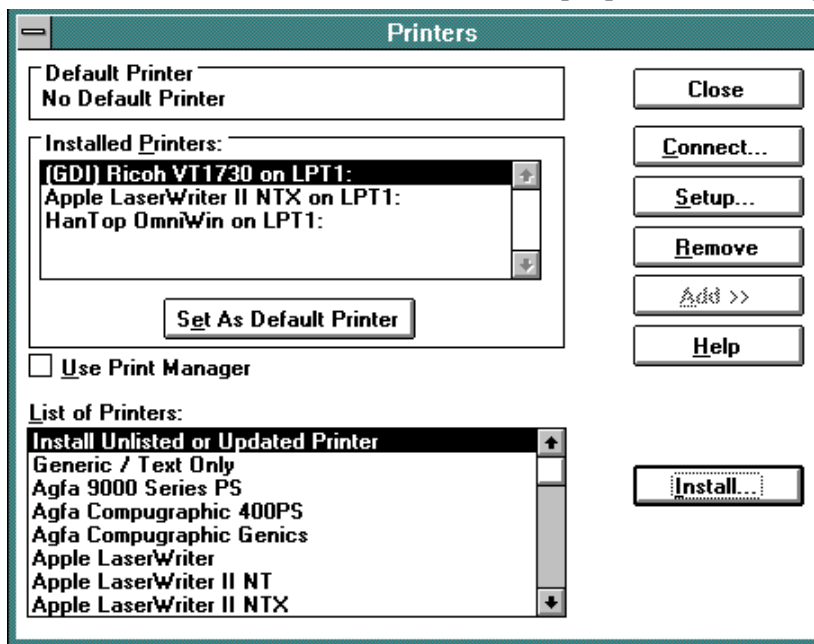
- F. Insert the floppy disk labeled Windows 3.1 Drivers in the floppy drive. The "Install Driver" window will provide a prompt for drive A:\. If that is correct, click **OK**. If not, type the correct floppy drive designation and click **OK**.



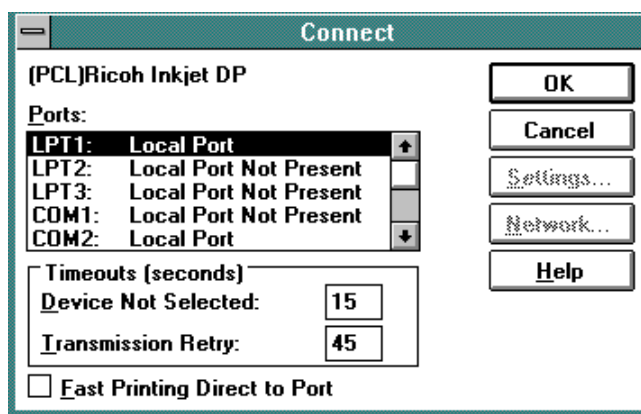
- G. The "Add Unlisted or Updated Printer" window will display a list of printer driver files that are on the floppy. Highlight the driver name which contains the Priport Model Number which will be connected to the EZ1 Controller and click **OK**.



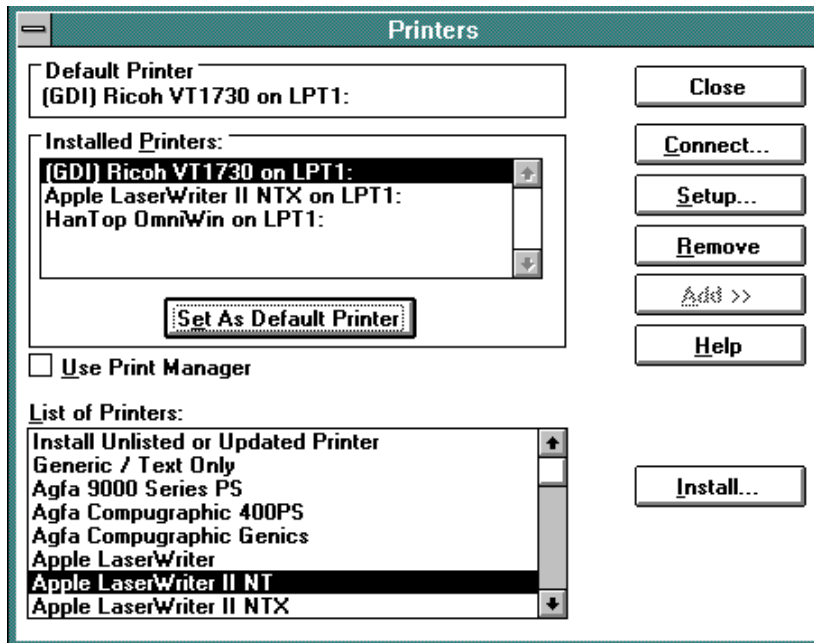
- H. When the install process is completed, the printer name will appear in the "Installed Printers" dialog box on the upper half of the screen. Check to see that the new printer(s) just installed is hooked to the correct output port. If not, click on **Connect** to select the correct output port from the computer.



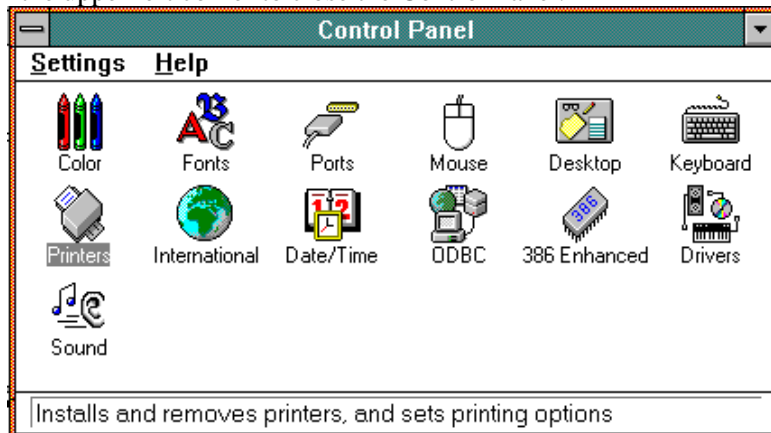
- I. You should verify that "Fast Printing Direct to Port" is turned off on this window. To change computer output ports, highlight the correct port and then click on **OK**.



- J. The “Printers” screen reappears. You may also choose the Priport as your default printer here. Click on **Close** to exit to the Control Panel.



- K. Double click in the upper left corner to close the Control Panel.



To print:

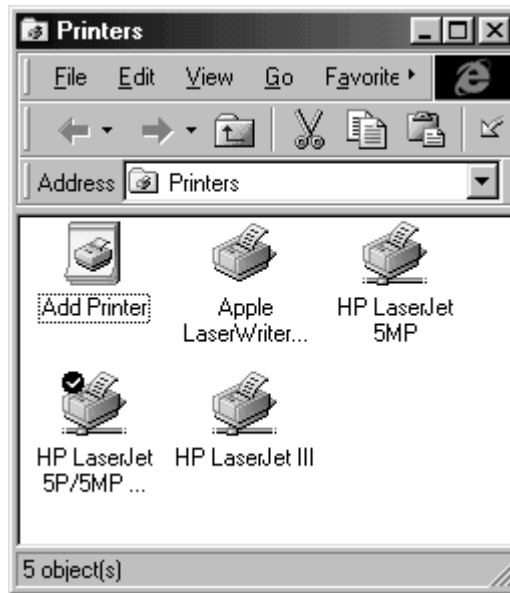
Follow the standard printing sequences within the Windows 3.1 program being used. Make certain to select the printer driver that matches the Priport Model connected to the PCRIP-EZ1 Controller. GDI printing as described by the computer industry is "WYSIWYG"--"what you see is what you get". In other words, however the document is displayed on the screen is how the document will print. For example, if you compose a document using the Ricoh VT1800 driver (300 dpi), for example, and then change to the Ricoh VT3800 driver (400 dpi), the page displayed on the screen WILL be reformatted due to a variation in font metrics at the different resolutions. The document will print as currently displayed on the screen. If you change the print driver back to the Ricoh VT1800, the display will change again and subsequent printed output will match the screen.

Special note for Model VT3600 and VT3800 who use the Short Drum: Choose the standard **Letter or A4 page size** instead of Ltr (SD) or A4 (SD) page size in the page setup of your application software. If the paper is loaded correctly for the Short Drum (wide edge feed), the Priport's page size sensing will tell the Controller to rotate the image correctly to match the paper.

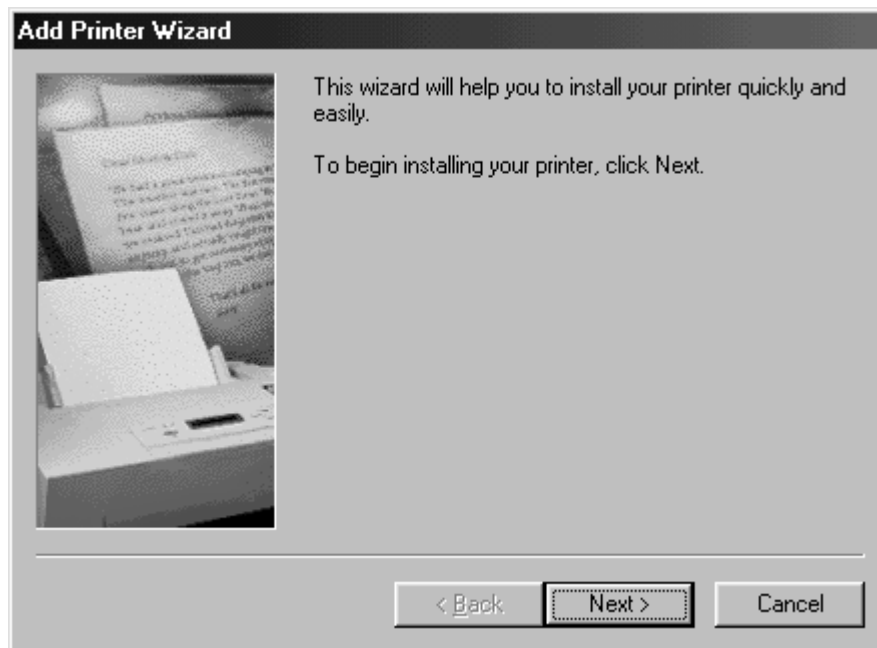
Special note for Model VT3500 who use the Short Drum: You must first use the Configuration program to select the Letter - Short Drum or A4 - Short Drum page size in the PCRIP-EZ1. **Then choose the standard Letter or A4 page size** instead of Ltr (SD) or A4 (SD) in the page setup of your application software. Make certain that the paper is loaded correctly for the Short Drum (wide edge feed) and the Controller will rotate the image correctly to match the paper.

2. **GDI Printing under Windows 95**
Customized Driver Installation for Windows 95:

A. Hold down the left mouse button on **Start**, select **Settings** and then **Printers**. Double click on **Add Printer**.



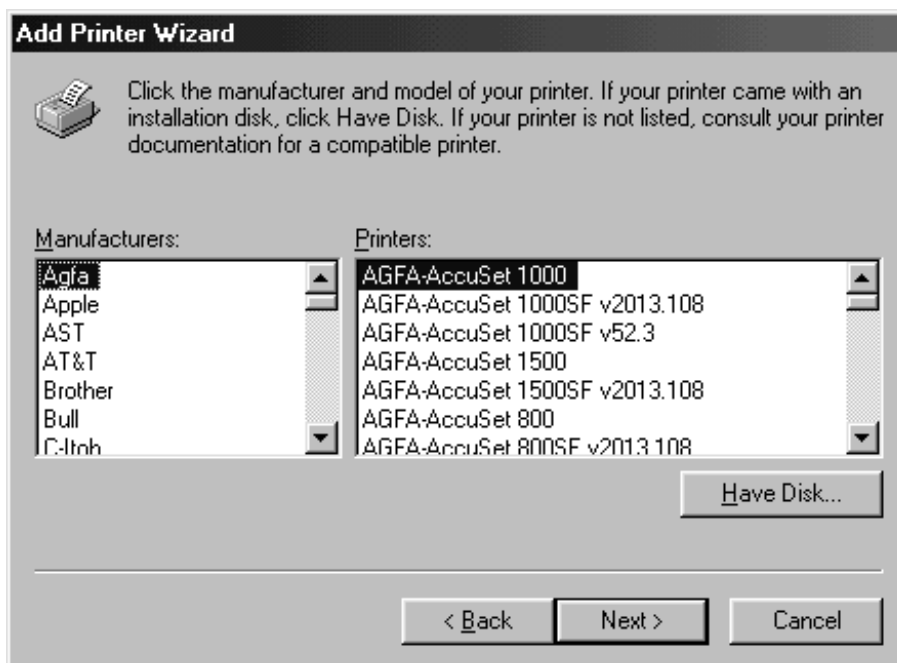
B. When the **Add a Printer Wizard** screen appears, click on the **Next** button.



C. Choose **Local Printer** and click **Next**.



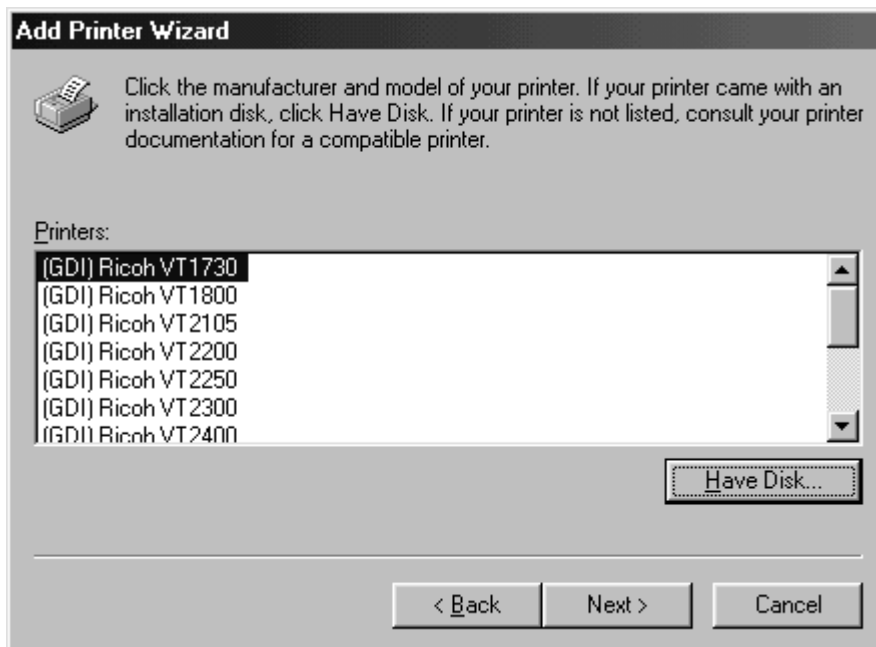
D. A listing of printers will be displayed on the left side of the screen. **The printer driver you need to install will not be displayed here.** Instead, insert the Windows 95 Drivers disk provided in the floppy drive and click on the **Have Disk** button.



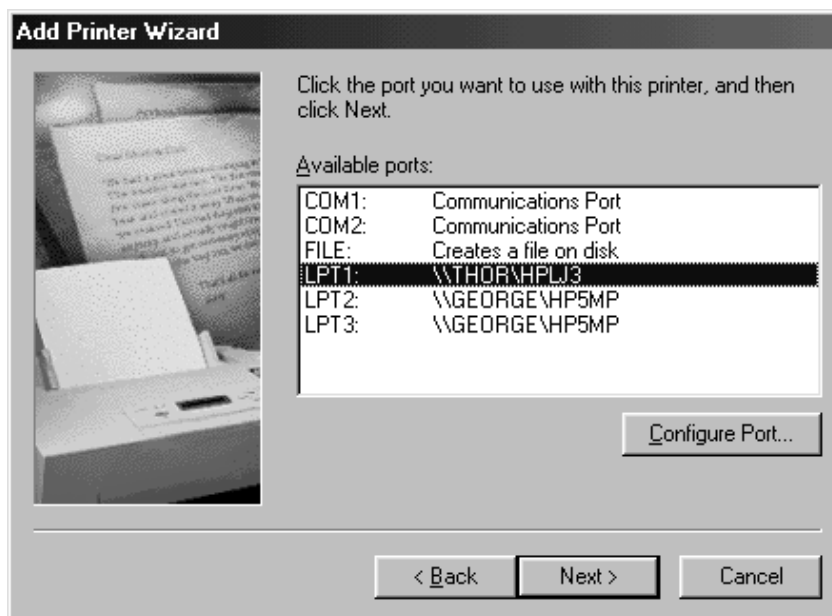
E. Insert the disk labeled Windows 95 Drivers into the drive. Click **OK**.



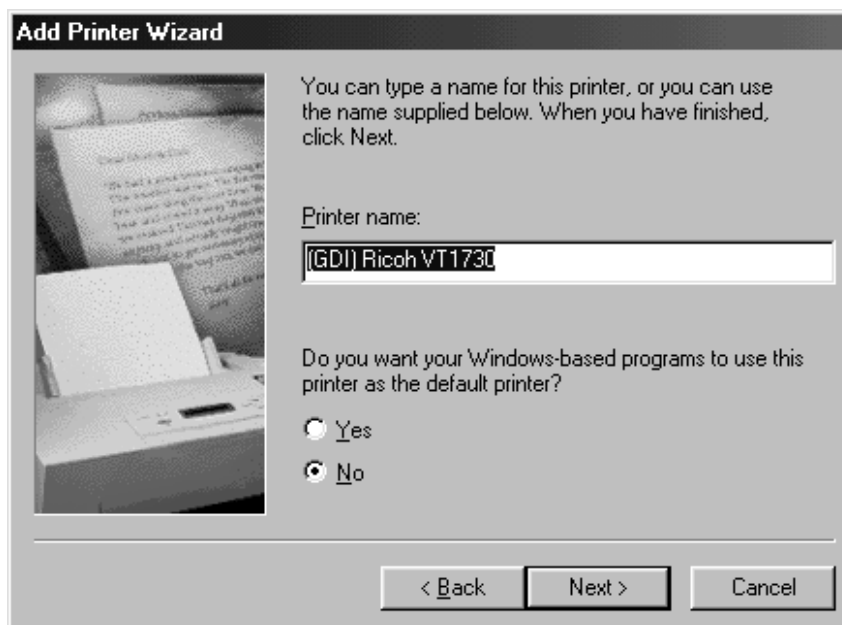
F. Select the Priport model number you are connecting to the EZ1 Controller and click **Next**.



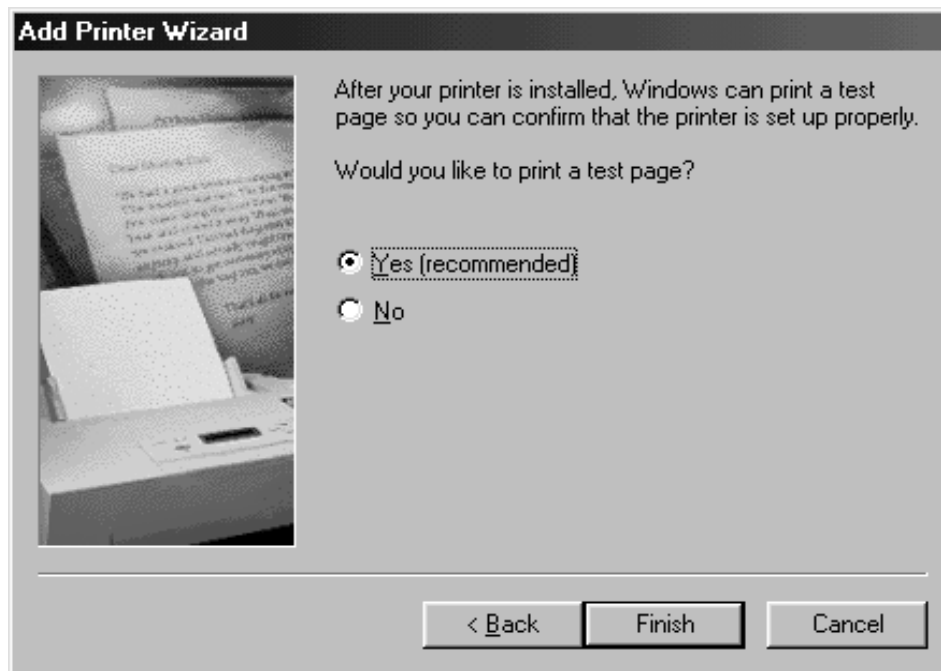
- G. On this screen, verify that the correct computer output port is selected. To change computer output ports, highlight the correct port and then click **Next**.



- H. On this screen, you have the option to change the name displayed for the printer or you can use the name provided by the driver. You may also choose the Priport as your default printer here. Click **Next** to proceed.



- I. On the final screen, you can print a Win95 test page to verify printer connection. Click on **Finish** to complete the driver installation.



To print:

Follow the standard print sequence within the Windows 95 program being used. Make certain to select the printer driver that matches the Priport Model connected to the PCRIP-EZ1 Controller. GDI printing as described by the computer industry is "WYSIWYG"--"what you see is what you get". In other words, however the document is displayed on the screen is how the document will print. For example, if you compose a document using the Ricoh VT1800 driver (300 dpi), for example, and then change to the Ricoh VT3800 driver (400 dpi), the page displayed on the screen WILL be reformatted due to a variation in font metrics at the different resolutions. The document will print as currently displayed on the screen. If you change the print driver back to the Ricoh VT1800, the display will change again and subsequent printed output will match the screen.

Special note for Model VT3600 and VT3800 who use the Short Drum: Choose the standard Letter or A4 page size instead of Ltr (SD) or A4 (SD) page size in the page setup of your application software. If the paper is loaded correctly for the Short Drum (wide edge feed), the Priport's page size sensing will tell the Controller to rotate the image correctly to match the paper.

Special note for Model VT3500 who use the Short Drum: You must first use the Configuration Program to select the Letter - Short Drum or A4 - Short Drum page size in the PCRIP-EZ1. **Then choose the standard Letter or A4 page size** instead of Ltr (SD) or A4 (SD) in the page setup of your application software. Make certain that the paper is loaded correctly for the Short Drum (wide paper edge feed) and the Controller will rotate the image correctly to match the paper.

3. QuickDraw Printing on the Macintosh

NOTE: The DigiPrint Utility program and associated files should have already been copied from this utility disk to a location on the hard disk that can be easily accessed.

Customized Driver Installation for the Macintosh:

- A. Insert the Macintosh Utility disk in the floppy drive.
- B. Double-click on the floppy disk icon to it.
- C. Drag the **DigiPrint** file icon and drop in the Extensions Folder inside the System Folder on your hard disk.
- D. Drag the **DigiPrint Prefs** folder and drop it in the Preferences Folder inside the System Folder.
- E. Drag the **DigiPrint Monitor** icon and drop it in a location that is easily accessible. (We recommend creating a folder on the hard disk named “DigiPrint Monitor” to contain this program so it can be found quickly.)

To print:

- A. Using the pull-down menu from the Apple icon, point and click on Chooser.
- B. Within the Chooser left-hand dialog box, point and click on the **DigiPrint** icon.
- C. The Macintosh will poll the AppleTalk printer network and return the **Priport** name (or the personalized name if you renamed the printer as described earlier).
- D. Click on **Setup** to bring up the Model Selection screen.
- E. Click and hold the mouse button on the down arrow to the right of the “Model file” dialog box to see a menu of Priport model selections. Highlight the appropriate Priport model and release the mouse button to select it.
- F. The Priport model file you just selected should be displayed in the dialog box. If the Priport model is not correct, repeat the step above.
- G. Click **OK** to close the Model Selection screen.

When you close the Chooser, the Macintosh is ready to send print files to the Controller from any Macintosh software program. The DigiPrint driver together with the model file selected in the Chooser will support all possible output page sizes at the correct resolution for that Priport model.

PRIPORT CONTROLLER OPERATION

1. Power-On/Power-Off Sequence:

Please follow the steps listed below to turn on and off your system:

- A. Power-On:
 - 1. Priport
 - 2. Controller
 - 3. Computer
- B. Power-Off:
 - 1. Computer
 - 2. Controller
 - 3. Priport

2. Controller - Front Panel Indicator Lights:

- A. Power-On Light (left hand light): When light is on, power is on.
- B. Ready Light (right hand light)

3. Ready Light:

- A. The Controller is ready for operation after the following sequence occurs:
 - At power on, the ready light remains off for a short time.
 - When ready light turns on, the Controller is ready for use.
- B. Ready Light--Slow Flash:
 - When a slow flash occurs, the Controller is processing the document.
- C. Ready Light--Quick Flash:
 - When a quick flash occurs, the Controller has encountered an error condition in processing the document. (See the Troubleshooting section for possible error conditions and solutions.)
- D. Ready Light--One Long + Two Short Flashes:
 - When one long and two short flashes occur, either the Priport is off-line or the Priport is still waiting to print copies off a new master, which is currently on the drum.

4. Copy Setting, Page Size Selection and Image Overlay Functions:

How to Implement and Use **Copy Setting**: Models VT1800, VT2200, VT2250, VT2400, VT2600, VT3600, and VT3800

- A. Verify that the dip switches at DPS101 on the Video Interface board inside the Priport have been set to OFF.
- B. The Controller will automatically turn Auto-Cycle on. If Auto-Cycle is on, the requested number of copies entered from the computer will be displayed on the Priport control panel and will print without any further intervention. However, if the copy count is set to 1, the Controller will change the copy count to 3 when the print job is sent to the Priport. This feature was designed to prevent interlocked masters.
- C. When the Priport is On Line, all of the Priport manual control buttons are disabled EXCEPT Auto Cycle, Speed, Image Position and Stop. To regain access to all other control buttons, you must take the Priport off line.
- D. If you use a Windows program which has a **collate copies** check box as an option on the Print Window, you should turn that feature OFF. When this feature is turned on, the program will send the print job to the Controller again and again to produce the desired number of copies rather than allowing the Priport to execute the desired number of copies.

- E. Most Windows 3.1 and all Win95 programs can support copy setting as described above if you are using the customized DigiPrint driver provided. (Priport Models VT1800, VT2200, VT2250 and VT2400 can not provide the page size mismatch feature described below.)
- F. All Macintosh software applications can also pass the requested copy count to the Priport.

How to Implement and Use **Page Size Selection**: Models VT2600, VT3600 and VT3800

- A. When the Priport is put On Line, it will check to see what paper size is loaded in the paper-input tray. If the page size selected in the Controller does not match the paper size loaded in the Priport's input tray, the Controller will change its page size setting to match the paper loaded. Any time you remove (or use) all the paper from the paper input tray the Priport will go off line. **When you load new paper and put the Priport back On Line**, it will again check the paper size loaded in the input tray against the page size selected in the Controller.
- B. With the DigiPrint driver installed in Windows 3.1 or Win95, you will be able to prevent large quantities of "misprints". First of all, remember that if the Priport is On Line, the Controller has reset its page size to match the paper loaded in the Priport's input tray.
 - If the document image sent is larger than the paper loaded, the Priport will truncate the image on the master to match the paper and reduce the requested copy count to 2. In this case, you need to change the paper in the input tray to match the document and resend the print job.
 - If the document image sent is smaller than the paper loaded, the Priport will create the complete image on the master but when it prints, the image will be placed on the paper incorrectly and the requested copy count will be reduced to 2. In this case, you might be able to print correct copies off this master.
To see if this is possible, load the correct size paper, and push the Proof button. If the image is placed correctly on the paper in the Proof copy, you can then enter the desired number of copies manual copy setting keys on the Priport control panel and push Print Start.

How to Use **Image Overlay** Function: Models VT2600, VT3600 and VT3800

- A. Take the Priport off-line.
 - B. Place the original document on the glass or in the ADF that you wish combined with the computer generated document and push the OverLay button.
 - C. Put the Priport back On-Line and send the document from the computer.
 - D. The Priport combines the image sent from the computer and the image from the original scanned document into a single master to create the printed output.
5. DigiPrint Monitor Function : **Macintosh only**

When the DigiPrint Monitor is enabled, error conditions at the Priport that will prevent successful completion of a print job are reported back to the user's screen. This feature is especially useful when the Priport and/or Controller are distant from the Macintosh computer that generated the print job.

The Video Interface board installed inside the Priport, which receives output data from the Controller, also receives status reports from the Priport itself. The DigiPrint Monitor polls the Video Interface board for status and receives back a status code. Each different status code reports a different condition of the Priport. **Ready** means that the Priport is ready to accept a print job. **Master Making** means that the Priport is currently making a master. **Printing** means that the Priport is currently printing from the master on the drum.

All of the potential error codes are also reported to the DigiPrint Monitor. Some of the common error codes are: **Master Out, Paper Out, Ink out, Paper Jam - feed in, Paper Jam - feed out, Cover open, Master Jam,** and **Used Master Box Full**. All error conditions are prioritized by the DigiPrint Monitor program. When all error conditions are cleared and the print job resumes, the Monitor will report the current status.

Appendix B lists all the possible status codes that the DigiPrint Monitor will report.

COMMONLY ASKED QUESTIONS

1. How far can I have the Controller from the computer?

- The official specification for **parallel** cables recommends a length not greater than 10 feet (approximately 3 meters), however you can probably use a cable up to 25 feet (approximately 8 meters) without encountering any line communication problems.
- The **AppleTalk** specification recommends a cable length of not greater than 1000 feet (approximately 300 meters) which should not be exceeded.

2. How far can I have the Controller from the Priport?

- The official specification allows for a 10-foot (approximately 3-meter) cable. A 6-foot (approximately 2-meter) cable was supplied with the Controller, but you can probably use a cable up to 20 feet (approximately 6 meters) if necessary. The farther the Priport is from the computer, the greater the potential for line communication problems.

3. How many computers can you run from the Controller?

- **Two.** One IBM or compatible connected to the parallel port AND one Apple Macintosh or Macintosh network connected to the AppleTalk port.

4. Will the Controller work with a laptop or notebook computer?

- Yes, all computers connect to the Controller as if it were a standard computer printer. The GDI or QuickDraw driver will need to be installed in each computer.

5. Is any special wiring required for the Controller?

- No, it will work on 110 or 220-volt systems by using the appropriate power cord.

6. How much RAM memory does the Controller have?

- It comes standard with 4 megabytes of RAM.

7. What if my file size is over 4 megabytes? Will the Controller be able to process the file?

- Under most circumstances, the answer is yes, due to a process built into the Controller called image compression. However, some images can not be compressed successfully.

8. Can you add additional memory?

- Yes, the Controller can be upgraded to 8 or 16 megabytes of RAM. Please contact your local Sales Representative for more details on this upgrade.

9. Must you configure all software when you install the Controller?

- No. Once the driver is installed in Windows 3.1 or Windows 95 on the PC or in the Chooser on the Macintosh, all software application programs can use it.

10. Will the Controller work with Windows 3.1? Windows 95? Macintosh?

- Yes! But different configuration programs and printer drivers must be installed for each operating system.

11. Will the Controller work with all application software programs?

- All Windows 3.1, Windows 95 and Macintosh programs can send documents to the Controller.

12. Will the PCRIP-EZ1 Controller work on a network?

- Yes, but only with simple Macintosh "printer networks" via AppleTalk/LocalTalk or AppleTalk/PhoneTalk are supported.

13. What fonts are built into the Controller?

- None! Windows 3.1 and Windows 95 can use any True Type font. Macintosh can use all system fonts and True Type fonts. If Adobe Type Manager is also installed in the Macintosh, you can also print PostScript Type 1 printer fonts.

14. Can you use other downloaded soft fonts with the Controller?

- No! Soft fonts can not be downloaded to the Controller, but any True Type font installed on the PC or Macintosh and displayed on the monitor can be printed.

15. Will the Controller allow the Priport to create an A3/11" X 17" image?

- Yes, as long as the Priport Model has the image size output capability and the Controller contains enough memory.

16. Can you combine two A4/US Letter pages side by side into a single A3/11" X 17" image?

- If your software application supports A3/11" X 17" landscape printing, you should also be able to place the two pages side by side. The specific method used to accomplish this page placement, however, will vary by software application.

17. Can you reverse scan with the Controller and the Priport?

- No, but you could buy a scanner and hook it directly to your computer. While this process is simpler in the Macintosh environment, it is still a very complex project in either the PC or Macintosh environment and should be undertaken only by an expert computer user. When scanned images are saved as graphic files, they can be included in documents you create in various software applications.

18. What type of scanned images can be input into my documents?

- Only images that have been saved as graphics files(ie, those with extensions like .tiff, .gif, .bmp, .pcx., etc.)

19. Can you set the number of copies to print from the computer?

- Yes, all of the newer Priport models allow you to set the copy count from your computer: VT1800, VT2200, VT2250, VT2400, VT2600, VT3600 and VT3800. For all other Priport models the number of copies to be printed must be set from the Priport control panel.

20. How important is the "Auto Cycle" key in the printing of a job?

- It is important that the Priport print a minimum of one copy in addition to the proof copy for each new master. Until at least one copy has been printed, the Priport will not allow a new master to be created. Therefore, we recommend that when using the Controller that you also use the "Auto Cycle" mode to enable the system to clear itself and be ready for the next print job.

21. What does the Diagnostic Page Button do?

- When the Diagnostic Button on the back panel of the Controller is pushed in, the Priport will output a Diagnostic Status page that includes configuration information for the Controller. (See Appendix A.)

22. If I have a software or hardware question, whom do I call?

- Your local sales/service organization should be contacted.

TROUBLESHOOTING

The following are symptoms you might encounter and the appropriate solution for each:

1. There is a quick flash of the ready light.

- An error condition has been detected in the Priport. First, check for a loose or missing cable between the Controller and the Priport.
- Next, check the control panel of the Priport for a flashing indicator. Clear the error condition (master jam, out of ink, out of paper, etc.) and push reset. If possible, print one proof copy from the newly created master. If the image on the proof copy is complete, you can print more copies. If the image is not complete, you will need to resend the document to the Priport and create a new master.
- If you are unable to print a proof copy, you will need to power the Priport off and on again to clear the error and then resend the document to create a new master.

2. There is no master making at all.

The Customer Engineer who installed the Controller should have tested both the connection between the Controller and the Priport, the connection between your computer and the Controller and the system as a whole.

- If you are using a Macintosh, the Monitor program will tell you exactly what is wrong at the Priport. When you correct the error, the Monitor will tell you the Priport is ready.
- If the Controller ready light is producing a quick flash, follow the steps listed above to clear the error in the Priport.
- If the Controller ready light is producing one long and two short flashes, check to see if the Priport may be off-line. Put the Priport back on-line and verify that the PCRIP-EZ1 ready light has stopped flashing.
- If the Priport is not off-line, then the Priport is waiting to print from a new master. You may either print copy from the master currently on the drum, or push the Priport's on-line button off and then on again to clear this condition.

3. A new master is made, but only blank pages print out.

- Verify that the selected page size, the Controller configuration and the Priport all match.
- Check that the document being sent to the Controller is not blank.
- If you have followed all of the steps listed above and still get blank pages as output, contact your local service organization.

4. Part of the document image I can see on my monitor is missing when it prints.

- Verify that the page size **and** the page orientation (portrait or landscape) selected in the application software, the Controller configuration and the Priport all match.
- If you have a VT3500, check to see if you have the Short Drum installed. If so, you need to select the correct page size which references the short drum through the Controller Configuration Program.

5. The document image is rotated AND partly missing when it prints.

- If you have a VT3500 Priport, check to see if you have the A3 drum installed. If so, you need to select the correct page size which does NOT reference the short drum through the Controller Configuration Program.

6. I keep getting a Macintosh error message saying "Priport is not available on AppleTalk".

- Make sure that the Controller is powered on and the Priport is on-line.
- If only one Macintosh is connected to the Controller, contact your local sales/service organization for additional help.

7. The Controller's ready light starts blinking slowly as if it is processing a print BEFORE I have even sent a print job down.

- If you have a Macintosh connected to the AppleTalk port and AppleTalk has been disabled through the PC Configuration program, the Macintosh will still try to communicate with the Controller. This attempt at communication from the Macintosh looks like the start of a print job to the Controller and the ready light will start blinking.
- First, unplug the AppleTalk cable from the Controller. This will stop input from the Macintosh and the ready light will go to steady.
- Then if you have a PC also connected to the Controller, you can use the PC EZ1 Configuration program to re-enable AppleTalk and save that configuration change.
- If you do not have a PC connected to the Controller, you can still re-enable AppleTalk using the following steps:
 1. Turn off the Controller.
 2. Hold in the Diagnostic Button while you turn the Controller back on. This procedure temporarily re-enables AppleTalk mode. These configuration changes will only last until the next power down if you do not take the following step to save this revised configuration in the Controller.
 3. Using the DigiPrint Utility, select "Download File" and then "Save Configuration Changes".

8. The Controller's ready light starts blinking slowly as if it is processing a print job AFTER my print job has been completed.

- If only one computer is connected to the Controller, the inter-job timeout value has been unnecessarily increased from the factory default setting of 20 seconds. If that value is changed back to 20 seconds through the EZ1 Configuration Program and that configuration change is saved, the ready light will not continue blinking after the print jobs is completed.
- If more then one computer is connected to the Controller, it may be processing a print job from the other computer.

9. What if the DigiPrint icon doesn't appear in the Chooser on my Macintosh for QuickDraw printing?

- If the DigiPrint icon does not appear in the Chooser, then the DigiPrint driver did not get installed correctly in the Extensions folder. Refer to item 3, "QuickDraw Printing on the Macintosh" in the Application Software Set-up section, and repeat steps A, B and C under "Customized Driver Installation for the Macintosh".

10. What if the Model Selection screen under Setup in the Chooser on my Macintosh says "None found"?

- You will see this message if the "DigiPrint Prefs" folder from the Macintosh disk is not installed correctly in the Preferences folder. Refer to item 3, "QuickDraw Printing on the Macintosh" in the Application Software Set-up section, and repeat steps A, B and D under "Customized Driver Installation for the Macintosh".

11. Why does the Controller continue blinking for several minutes after I have cancelled the print job on my Macintosh?

- The Controller will continue to process whatever data it received before the cancel command cancel print job. If the print job you cancelled is large or complex, you might want to power off and on the Controller rather than waiting for reset.

APPENDIX A

DIAGNOSTIC STATUS PAGE

Priport Controller Status Page

Controller Firmware Rev: 09XXXXXX	0 XXXX 5 XXXX	a XXXX
Selected Page Size: US Letter	1 XXXX 6 XXXX	b XXXX
Controller RAM Size: X Megabytes	2 XXXX 7 XXXX	c XXXX
Mode: GDI/QuickDraw	3 XXXX 8 XXXX	d XXXX
	4 XXXX 9 XXXX	e XXXX

APPENDIX B

DIGIPRINT MONITOR STATUS CODES

Ready	PSU Overtemp
Offline	Drum Movement Error
Paper Out	Cutter Error
Master Out	Paper Tray Error
Paper Jam	Vertical Adjust Error
Master Jam	Tape Inserter Error
Ink Out	Incorrect Drum Installed
Cover Open	Call Service
Paper Size Mismatch	Scanner Error
Scanner Cover Open	Used Master Box Full
Front Door Open	Caution
ADF Cover Open	Busy
Drum Not Installed	Printing
Master Eject Error	Waiting To Print
No Master On Drum	Master Making
Paper Jam - Feed In	Error
Paper Jam - Feed Drum	ADF Feed Jam
Paper Jam - Feed Out	No Key Counter
Used Master Box Removed	No Copies Printed From
Out of Paper Tape	Current Master
Master Clamp Miss	AutoOnLine
Thermal Head Overheat	Printing Complete

INDEX

AppleTalk	2, 20
Application Software	7, 20
Auto Cycle	21
Cabling	2, 20
Compatible Computers	1
Compatible Computers:IBM & Compatible PC's	1
Compatible Computers:Macintosh	1, 20
Computers © Laptop/Notebook	20
Configuration	3, 4, 6, 20
Configuration:Configuration Programs	3
Configuration:IBM PC and Compatibles	3
Configuration:Macintosh Computers	6
Configuration:Parallel Controller	3
Configuration:Windows 3.1	4
Configuration:Windows 95	4
Copy Setting	18, 21
Diagnostic Button	21
Diagnostic Status Page	24
DigiPrint	1, 17, 19
DigiPrint Monitor	17, 19, 24
DigiPrint Utility	17, 23
Factory Settings	3
Factory Settings:Input Buffers	3
Factory Settings:Mode	3
Factory Settings:Page Size	3
Fonts	21
Front Panel Indicator Lights	18
Graphic Device Interface (GDI)	1
Image Overlay	19
Installation	2
Memory Requirements	1
Network	21
Operation	18
Page Size	1
Page Size Selection	19
Parallel	2, 20
Power©On/Power©Off Sequence	18
Printing	7
Printing:GDI © Windows 3.1	7
Printing:GDI © Windows 95	12
Printing:Printer Drivers	7
Printing:QuickDraw © Macintosh	17
Priports Supported	1
QuickDraw	17
RAM Memory	20
Ready Light	18, 22
Reverse Scanning	21
Scanned Images	21
Service	21
Short Drum	11, 16
System Requirements	1
Troubleshooting	22
Windows 3.1	4, 20
Windows 95	4, 20

TECHNICAL SERVICE BULLETINS



TECHNICAL SERVICE BULLETIN

BULLETIN NUMBER: C231 - 001

09-22-98

**APPLICABLE MODEL:
GESTETNER - 5306L
RICOH - JP1030
SAVIN - 3150DNP**

SUBJECT: C231 SUPPLY INTERCHANGEABILITY CHART

GENERAL:

The chart below clearly illustrates that the entire C231 supply line is NOT interchangeable with any other Priport product. The following is a cross-reference for the Priport/Copy Printer Supplies

■ GENERAL INFORMATION

Note: This copy is intended as a master original for reproduction of additional bulletins.

DATA	MODELS						
	C231	C226	C224	C216	C225	C223	C228
INKS							
600cc Black ink for C231	O	X	X	X	X	X	X
All (10) 600cc color inks for C231	O	X	X	X	X	X	X
Current 600cc Black ink	X	O	O	O	O	O	O
All current (10) 600cc Color inks	X	O	O	O	O	O	O
Current 1000cc Black ink	X	X	X	X	X	O	O
New High Density 1000cc Black ink	X	X	X	X	X	X	O
MASTERS							
Master for C231	O	X	X	X	X	X	X
Current VT-II-S Master	X	X	X	X	O	X	X
Current VT-II-M Master	X	O	O	O	X	X	X
Current VT-II-L Master	X	X	X	X	X	O	X
Current VT6-II-L Master	X	X	X	X	X	X	O
NOTE: O = YES X = NO							



TECHNICAL SERVICE BULLETIN

BULLETIN NUMBER: C231 - 002

01/06/99

APPLICABLE MODEL:

GESTETNER - 5306L

RICOH - JP1030

SAVIN - 3150DNP

SUBJECT: C231 VIDEO INTERFACE BOARD ORDER NUMBER

GENERAL:

The C231 uses a new style Video Interface Board that is different from the previous models.
The Interface Kit is **EDP# 205514** for all brands.

Note: This copy is intended as a master original for reproduction of additional bulletins.

■ GENERAL INFORMATION