



Service Manual

Dishwasher

Compact

ADG 931/2 AV

Model Version		Page
	ADG 931/2 AV 8511 931 01371	
	Technical data	2 - 4
	Spare part list	5 - 6
	Exploded view	7 - 10
	Wiring diagram	11
	Circuit diagram	12
	Program diagram	13

Technical data

Dimension

Height	85	cm
Width	44.8	cm
Depth	60	cm
Weight	45	kg

Wooden door

Thickness min.	16	mm
Thickness max.	25	mm
Width min.	445	mm
Width max.	450	mm
Height min.	571.5	mm
Height max.	604	mm
Weight min.	1.8	kg
Weight max.	5.6	kg
Max. stick out over lower edge of appliance door	90	mm

Specification / PI-Expression (norm. Progr.)

Detergent	25	gr
Saltconsumption by 21 °deg d.H.	28	gr
Water connection up to	60	°C
Capacity	9 stand. place settings	

Volume

Water

Working-level	3.75	l
Safety-level		
- motor on	9.5	l
- motor off	6.5	l
Overflow-level	6.2	l
Detergent	5+25	gr
Clear rinse containing	120	ccm
Rinse dosage per step	1	ccm
Salt container volume	1.35	kg

Flow rates / Inlet volumes

Spray pump	~ 50	l/min
Drain pump	~ 15	l/min
Water inlet electrovalve	~ 3.75	l/min

Water pressure

Inlet pressure min.	0.3	bar
Spraypump pressure	~ 0.3	bar

Rotations

SP-Motor	2680	RPM
DP-Motor	2500	RPM
Spray arm lower	37 ± 5	RPM
Spray arm upper	24 ± 5	RPM

Electrical Data

Base level

Voltage	220/230	V
Frequency	50	Hz
Total power	2200	W
Fuses	10	A

Timer

Model	Eaton EC 4707.01
Basic step times	30"-1'-2'-4'
Steps	60

Heating

1 Element system

Voltage	220/230	V
Power consumption	1.87/2.04	kW
Resistance	24.5	Ω
Heating speed	~ 2.0	°C/min
Temperature on surface	~ 115	°C
Safety thermostat self reset	85	°C
Thermofuse	206	°C

Technical data

Motor

Spraypumpmotor

Voltage	220/230	V
Power consumption	150	W
HI	38	Ω
HA	40	Ω
Capacitor	6	μ F
To loos spraypump from motor	turn anti clockwise	
To fit spraypump on motor	turn clockwise	
needed racket spanner	6	mm

Drainpumpmotor

Voltage	220/230	V
Power consumption	23	W
Resistance	200	Ω

Timer Motor

Voltage	220/230	V
Power consumption	3.5	W
Resistance	6450	Ω

Valve

Inlet valve

Voltage	220-240	V
Power consumption	6	W
Resistance	3750	Ω

Regeneration valve

Voltage	220-240	V
Power consumption	6	W
Resistance	3750	Ω

Safty system against water-leakage

Aquastop + floater switch
Floter switches of the inlet valve and on the drain pump

Thermostates

Double thermostat in the Door

NA58

Color code	grey
Temperature	58 °C
closes when temperature is reached	

NC72

Color code	red
Temperature	72 °C
opens when temperature is reached	

Water measuring

Remove the coases sieve, put into the sump a meassuring meter, look the height of the water level

Working level	110	mm
Safety level	125	mm

Pressostat

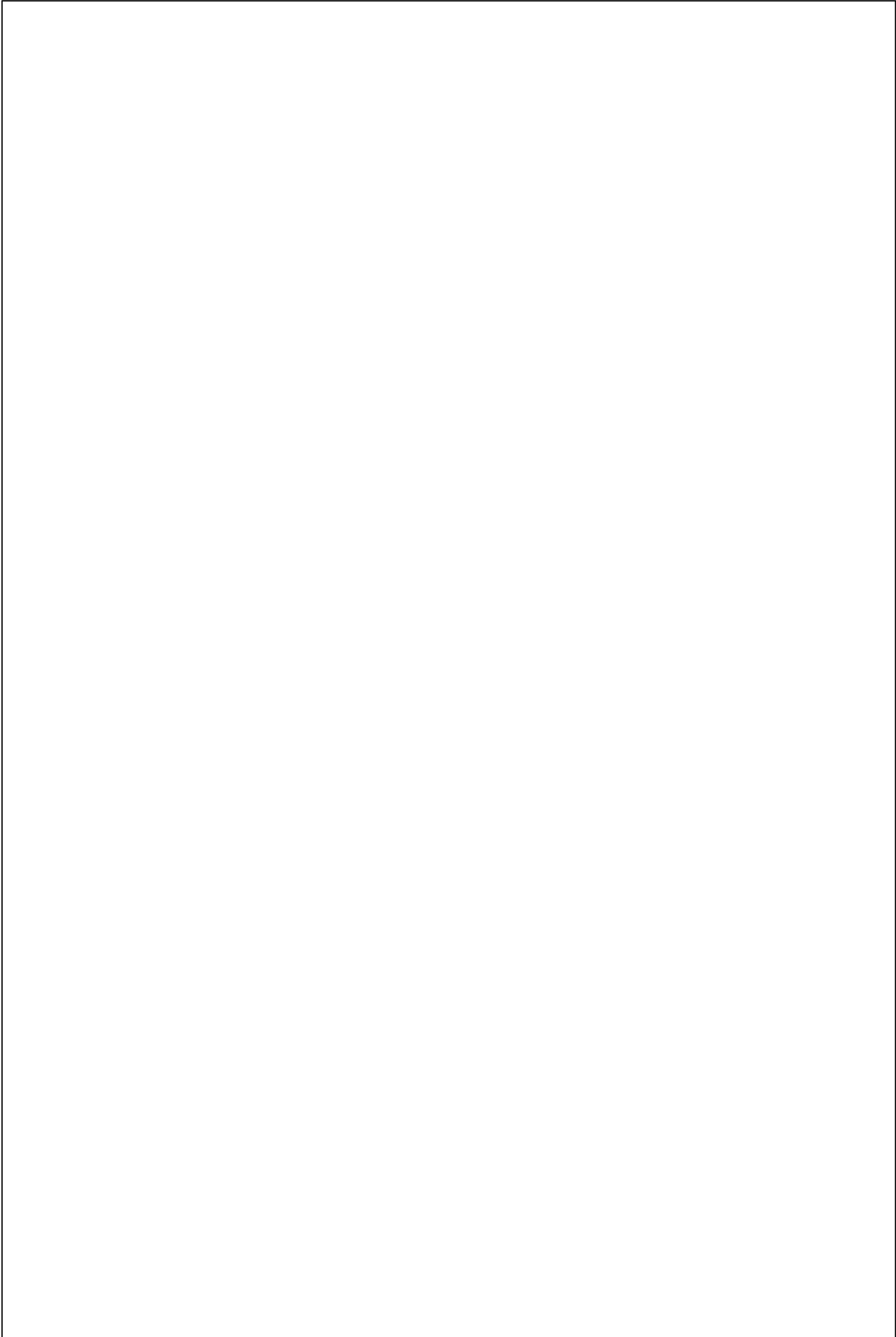
Working level

Niveau	80/60 ± 3 mm
--------	--------------

Safety level (against overflow)

Niveau	125/75 ± 3mm
--------	--------------

Technical data



Spare part list

Model ADG 931/2 AV
Service No. 851193101371
Version 851193101371

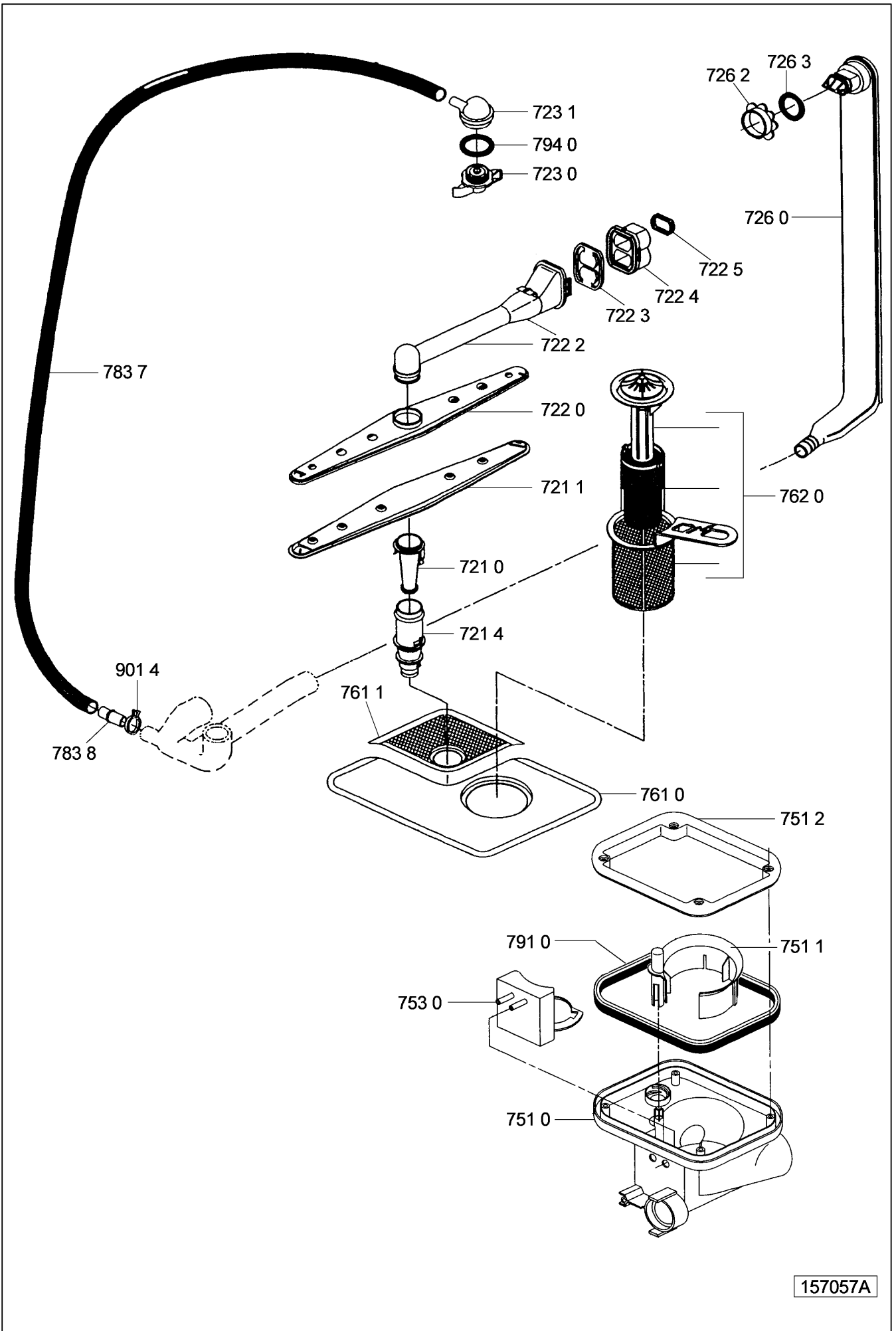
Pos. No.	12NC Code	Description	Pos. No.	12NC Code	Description
003 0	4819 905 01156	Bearer	354 0	4819 134 23114	Pilot lamp
004 0	4819 905 00572	Drip tray assy	354 1	4819 905 00012	Pilot lamp green
011 0	4819 905 00013	Foot adjustable	400 0	4812 361 58147	Motor + spraypump
012 2	4819 905 01038	Accessories fixing parts	400 1	4819 905 01199	Bracket
012 3	4819 905 01036	Fastener	400 2	4819 905 01144	Rubber
022 0	4812 440 19656	Side panel right	405 0	4819 905 01278	Spray pump
022 3	4819 905 01254	Side panel left	420 0	4819 905 00158	Capacitor
024 0	4819 905 00469	Panel, rear	421 0	4819 905 00017	Interf.filter
024 3	4812 440 19646	Bearer lower, rear	430 0	4819 905 01255	Pump,draining
030 0	4819 905 00183	Cover	430 1	4819 905 01151	Gasket
040 4	4812 417 78017	Fairing spring right	450 0	4812 259 88122	Heating element 2100W
040 5	4812 417 78018	Fairing spring left	491 0	4819 905 01212	Connectionblock + cable
041 0	4819 905 01211	Hinge	501 0	4819 905 01242	Timer EC4707.01
041 3	4819 905 00005	Pin hinge	501 2	4819 905 01141	Bracket (timer)
044 0	4819 905 01246	Spring f.door	531 0	4819 905 01166	Switch waterhardness
053 0	4819 905 00153	Plinth adjustable	531 1	4819 905 01165	Wheel,fingertip waterhardness
053 1	4819 905 00257	Plinth	552 1	4819 905 01174	Thermostat 58/72 degre
065 1	4819 905 00692	Insulation door	575 0	4819 905 00686	Regen.valve
100 0	4819 905 00568	Door	581 0	4819 905 01169	Pressostat
100 1	4819 905 00001	Spacer Rubber	583 0	4819 905 01168	Pressostat safety
100 2	4819 905 00562	Hook	616 0	4819 905 00021	Sensor salt
120 0	4819 905 01247	Door,inner	620 0	4819 905 00474	Switch,pushbut.
130 0	4819 905 01147	Lock	623 0	4819 905 01191	Microswitch floater
130 1	4819 905 01178	Tilt lock	633 0	4819 905 01146	Microswitch door
156 0	4819 905 00126	Spoon	680 0	4819 905 01044	Combidosage electr. Indicaton
176 1	4819 905 00036	Protector	680 1	4819 905 00026	Gasket border
176 2	4819 905 01251	Protector	680 2	4819 905 00027	Fastener combidosage
191 0	4819 905 00045	Profile below	700 0	4819 905 00463	Hose, inlet aquastop
191 1	4819 905 00046	Gasket lower tank	710 0	4812 418 68188	Monoblock
191 2	4819 905 00569	Gasket, door from 96/12	714 0	4819 905 00107	Stopper
200 0	4812 418 18245	Container	714 1	4819 905 00002	Gasket border
200 1	4812 440 19655	Holder tank left	716 0	4819 905 01187	Reg.dosage
200 2	4812 440 19654	Holder tank right	716 2	4819 905 00028	Collar
241 0	4819 905 01207	Basket upper	716 5	4819 905 01215	Small plate support
241 1	4819 905 01216	Holder guide basket	721 0	4819 905 01145	Hub f.sprayer lower
241 2	4819 905 00295	Insert	721 1	4819 905 00067	Spray arm below
241 3	4819 905 01224	Wheel,basket upper	721 4	4819 905 01236	Flange
241 4	4819 905 01225	Bushing	722 0	4819 905 01206	Spray arm upper
242 0	4819 905 01208	Basket lower	722 2	4819 905 01227	Connection
242 1	4819 905 01213	Plate,support	722 3	4819 905 01228	Flap
242 2	4819 905 00675	Wheel,basket lower	722 4	4819 905 01205	Tailpiece
243 0	4819 905 00089	Basket cutlery	722 5	4819 905 01223	Gasket
243 1	4819 905 01238	Holder f.spoons	723 0	4819 905 01218	Nozzle ceiling
261 0	4819 905 01214	Guide f.basket	723 1	4819 905 01219	Connection
261 1	4819 905 01217	Tailpiece guide	726 0	4812 530 28947	Tube
261 2	4819 905 01226	Tailpiece ahead	726 2	4819 905 01222	Nut
301 0	4819 905 01256	Control panel AV	726 3	4819 905 01221	Gasket
303 0	4819 905 00589	Grip AV	751 0	4812 418 18244	Water collector
303 3	4819 905 00566	Screw	751 1	4819 905 01231	Water guide
305 0	4819 905 00582	Batten H5 AV/BR	751 2	4819 905 01155	Flange
305 1	4819 905 00583	Batten H10 AV/BR	753 0	4819 905 01229	Chamber,air
305 2	4819 905 00584	Batten H20 AV/BR	755 0	4812 530 28944	Hose heating/sump
322 0	4812 453 70562	Insert panel	756 0	4819 905 01189	Floater
331 0	4819 905 01257	Knob program AV	756 1	4819 905 01188	Bearer
332 0	4819 905 00588	Push button AV	761 0	4812 480 58087	Sieve fine

Spare part list

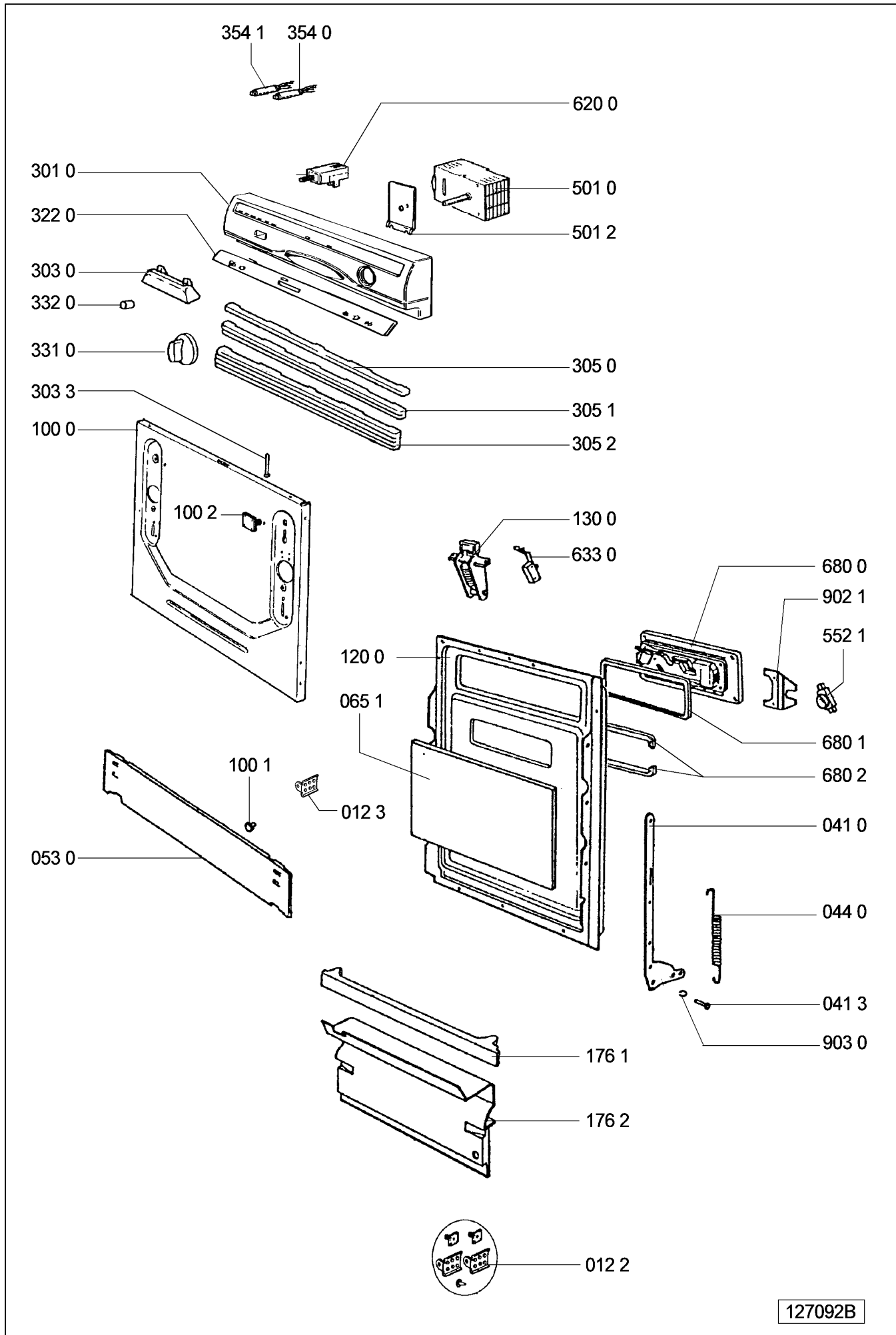
Model ADG 931/2 AV
Service No. 851193101371
Version 851193101371

Pos. No.	12NC Code	Description
761 1	4819 905 01235	Insert piece sieve
762 0	4819 905 01192	Microfilter
781 0	4819 905 01194	Hose,draining
783 0	4819 905 01186	Hose reg.dosage-watersoftener
783 1	4819 905 01154	Hose watersoftener-ump
783 2	4812 530 28945	Hose heating/spraypump
783 3	4819 905 01153	Hose pressostat
783 5	4812 530 28946	Hose
783 6	4819 905 00555	Hose setting waterhardness
783 7	4819 905 01196	Hose to ceiling spray
783 8	4819 905 01197	Hose
791 0	4819 905 01152	Gasket sump
794 0	4819 905 01143	Gasket ceiling sprayer
901 4	4819 905 01302	Clamp,hose
901 5	4819 905 00532	Clamp Hose
902 1	4819 905 00494	Holder Thermostat
902 2	4819 905 00007	Bracket
903 0	4819 905 00011	Ring circlip
904 0	4819 905 01142	Stopper
952 0	4819 905 00137	Collar
952 1	4819 905 00223	O-Ring
993 0	4819 905 00033	Funnel

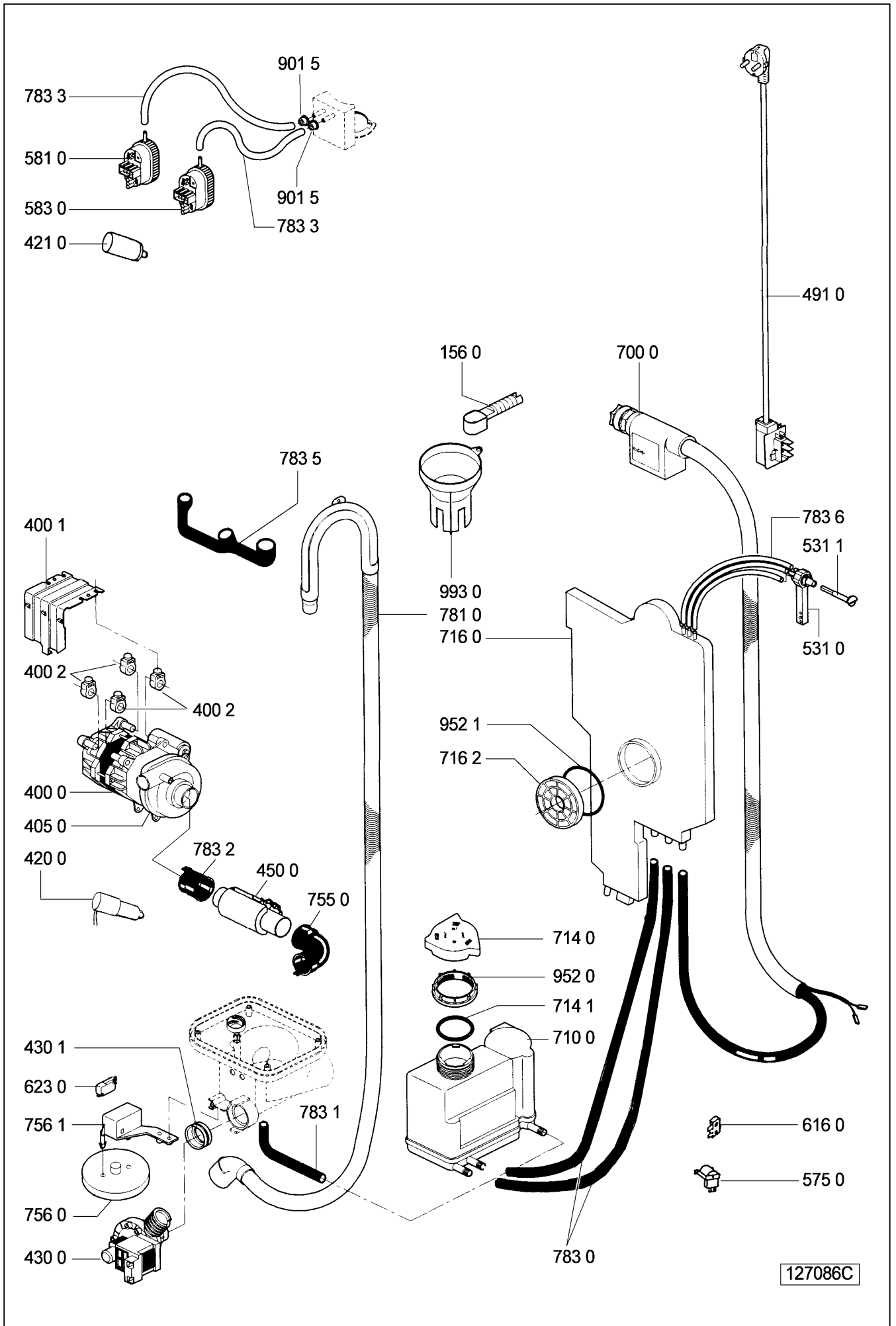
Exploded view



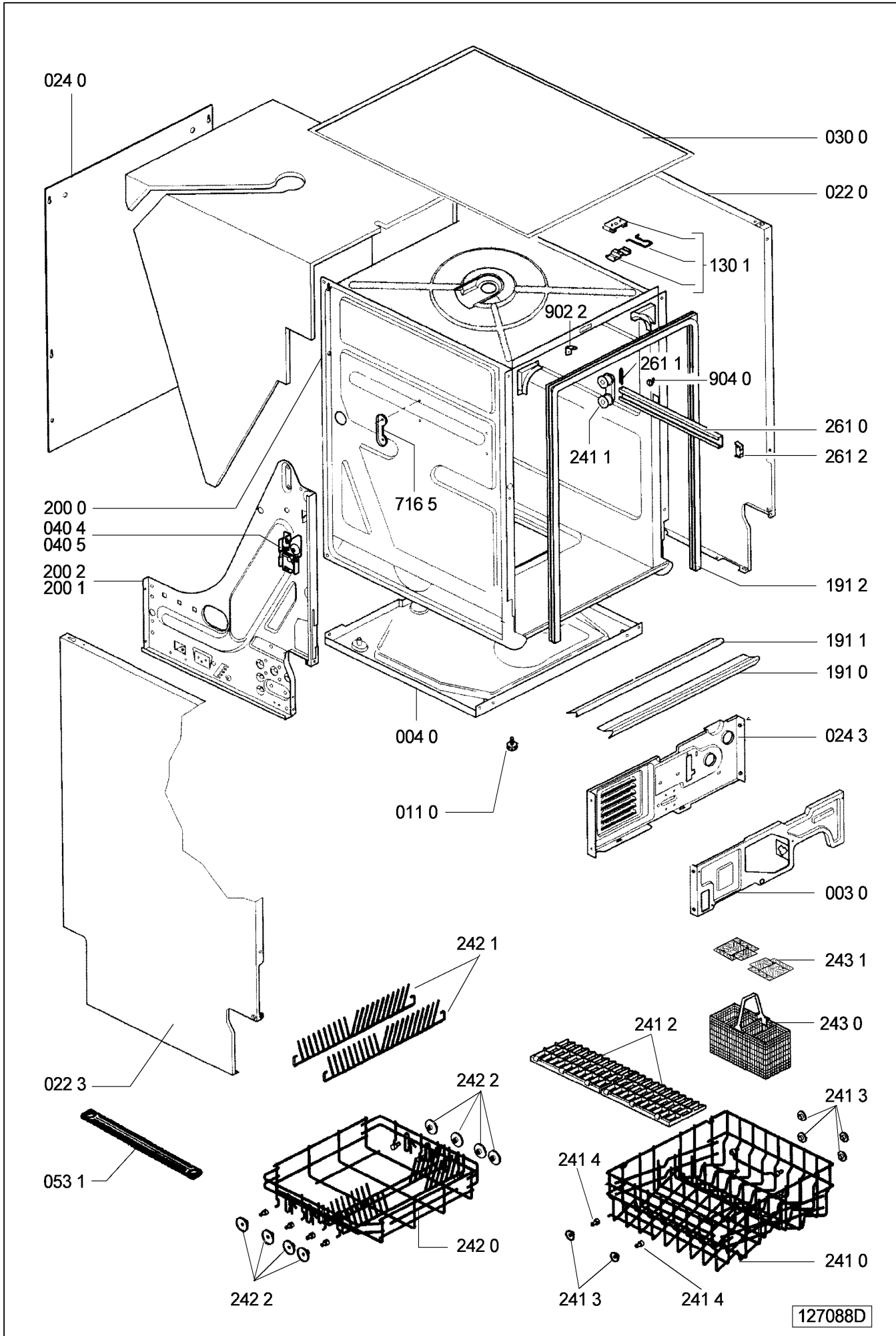
Exploded view



Exploded view

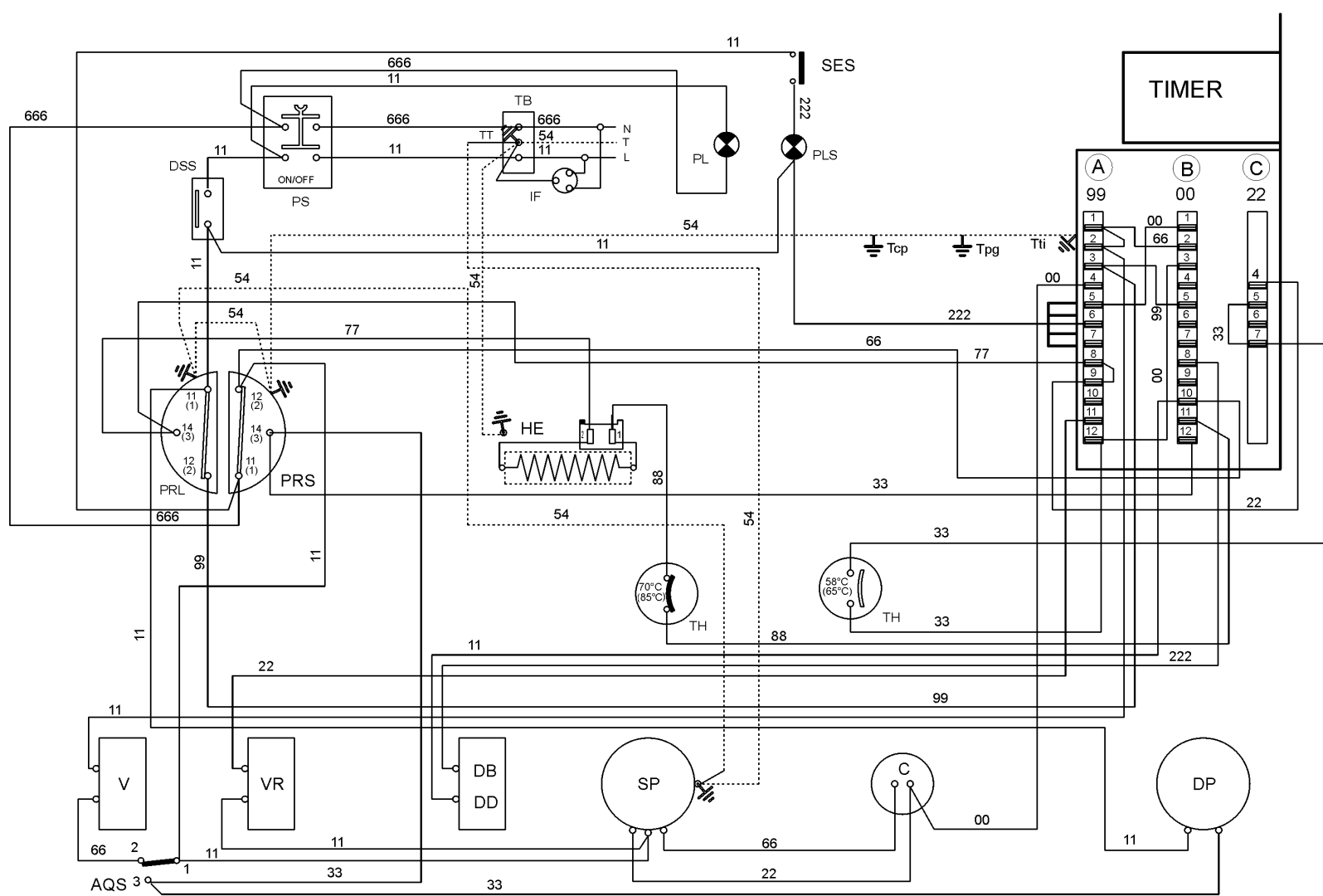


Exploded view



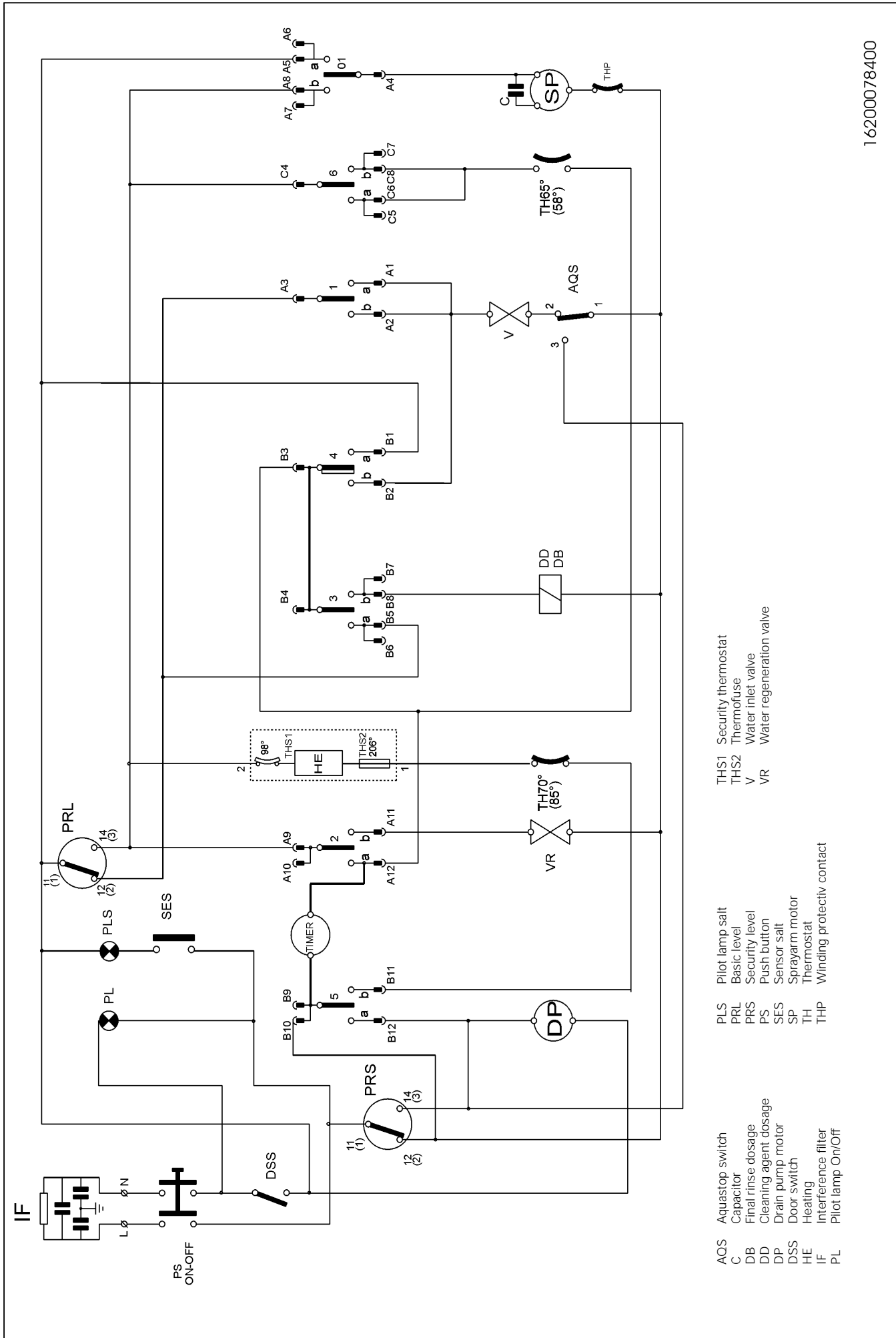
Wiring diagram

- AQS Aquastop switch
 - C Capacitor
 - DB Final rinse dosage
 - DD Cleaning agent dosage
 - DP Drain pump motor
 - DSS Door switch
 - HE Heating
 - IF Interference filter
 - PRL Basic level
 - PL Pilot lamp On/Off
 - PLS Pilot lamp salt
 - PRS Security level
 - PS Push button
 - SES Sensor salt
 - SP Sprayarm motor
 - TB Terminalblock
 - TH Thermostat
 - V Water inlet valve
 - VR Water regeneration valve
-
- 00 black
 - 11 brown
 - 22 red
 - 222 pink
 - 33 orange
 - 54 yellow-green
 - 66 blue
 - 666 sky blue
 - 77 violet
 - 88 grey
 - 99 white



16200078300

Circuit diagram



16200078400

- | | | | |
|-----|----------------------------|------|--------------------------|
| AQS | Aquastop switch | THS1 | Security thermostat |
| C | Capacitor | THS2 | Thermofuse |
| DB | Final rinse dosage | V | Water inlet valve |
| DD | Drainage Drainage | VR | Water regeneration valve |
| DP | Drain pump motor | | |
| DSS | Door switch | | |
| HE | Heating | | |
| IF | Interference filter | | |
| PL | Pilot lamp On/Off | | |
| PLS | Pilot lamp salt | | |
| PRL | Basic level | | |
| PRS | Security level | | |
| PS | Push button | | |
| SES | Security switch | | |
| SP | Sprayarm motor | | |
| TH | Thermostat | | |
| THP | Winding protective contact | | |

Program diagram

